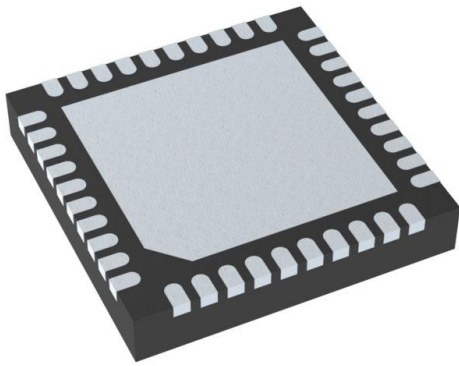


LE9541CUQC Datasheet

www.digi-electronics.com



<https://www.DiGi-Electronics.com>

DiGi Electronics Part Number	LE9541CUQC-DG
Manufacturer	Microchip Technology
Manufacturer Product Number	LE9541CUQC
Description	IC TELECOM INTERFACE 40QFN
Detailed Description	Telecom IC Subscriber Line Interface Concept (SLIC) 40-QFN



Tel: +00 852-30501935

RFQ Email: Info@DiGi-Electronics.com

DiGi is a global authorized distributor of electronic components.

Purchase and inquiry

Manufacturer Product Number:

LE9541CUQC

Series:

-

Function:

Subscriber Line Interface Concept (SLIC)

Number of Circuits:

1

Current - Supply:

-

Mounting Type:

Surface Mount

Supplier Device Package:

40-QFN

Manufacturer:

Microchip Technology

Product Status:

Active

Interface:

Serial

Voltage - Supply:

3.3V

Operating Temperature:

-

Package / Case:

-

Base Product Number:

LE9541

Environmental & Export classification

RoHS Status:

ROHS3 Compliant

REACH Status:

REACH Unaffected

HTSUS:

8542.39.0001

Moisture Sensitivity Level (MSL):

3 (168 Hours)

ECCN:

EAR99



Le9541/51

Ringling Subscriber Line Interface Circuit

VE950 Series

Product Brief

Features

- Optimized to work with BCM338x/BCM339x Broadcom SoCs for short loop residential gateways
- Single Channel High Voltage Ringing SLIC that is functionally equivalent to one channel of the Le9540.
- Le9541 is available in a 6x6 40-pin QFN package that is “pin-to-pin” compatible with (channel 1 of) Le9540 which enables a dual one or two channel PCB Design.
- Le9551 is available in a 4x5 28-pin QFN that is optimized for single channel applications
- High Voltage High Bandwidth Design Supports 7-kHz Wide Band Applications
 - Up to –145 V ringing battery Le9541/51D
 - Up to –100 V ringing battery Le9541/51C
- Operation Control and Status Report through Serial Interface with Reset
- Supports GR909 Testing
- DC Loop Closure/Ring Trip/Thermal Shut-down
- Loop Start, Ring Trip, and Ring-Ground Detections with Two Thresholds
- Thermal Shut down Protection with Hysteresis
- Test Load Switch Supports Integrated Test Algorithms

Description

The Le9541 Ringing SLIC device is a single-channel device and equivalent of channel 1 of the Le9540. It is offered in the same 6x6 40-pin QFN package as the Le9540 to enable a “dual” one or two channel PCB design. The Le9551 is also the equivalent of one channel of the Le9540. It is offered in a small 4x5 28-pin QFN, and is optimized for a single channel application. These devices provide battery feed, ringing, and supervision on voice loops found in short-loop Cable applications. These devices are optimized to interface to the Broadcom BCM338x or BCM339x families of SoCs. Operational control and status report are communicated through a serial interface with reset. These devices support wide-band applications and GR909 testing.

Document ID# 153225

Version 2

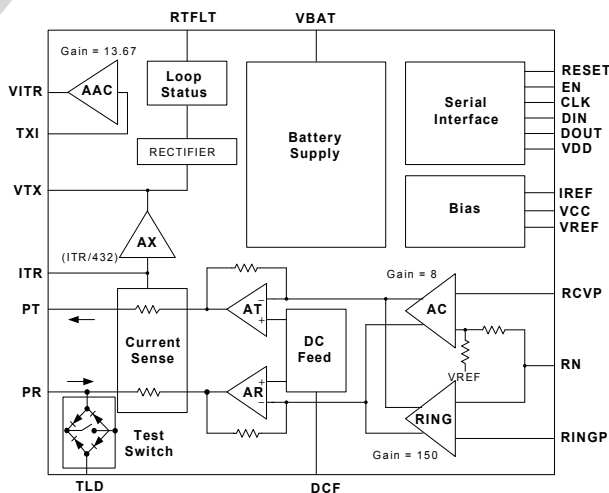
February 2016

Ordering Information

Le9541CUQC	40-pin QFN	Tray
Le9541DUQC	40-pin QFN	Tray
Le9541CUQCT	40-pin QFN	Tape and Reel
Le9541DUQCT	40-pin QFN	Tape and Reel
Le9551CMQC	28-pin QFN	Tray
Le9551DMQC	28-pin QFN	Tray
Le9551CMQCT	28-pin QFN	Tape and Reel
Le9551DMQCT	28-pin QFN	Tape and Reel

All devices are in green package. The green package meets RoHS 2 Directive 2011/65/EU of the European Council to minimize the environmental impact of electrical equipment.

Block Diagram



Pin Assignment

Figure 1 - 40 Pin 6x6mm QFN

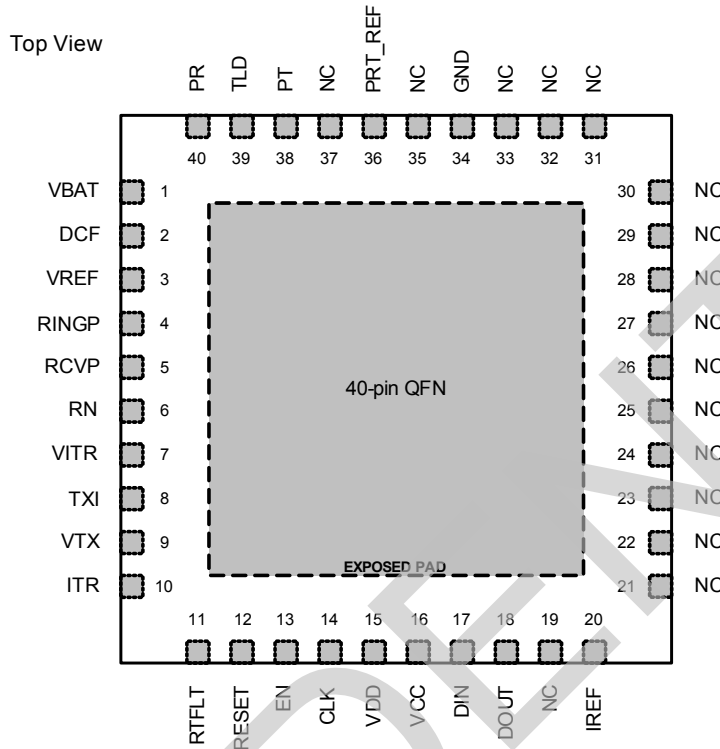
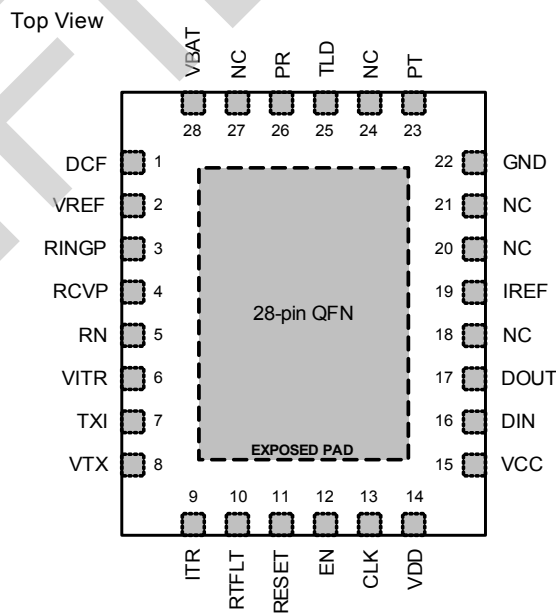


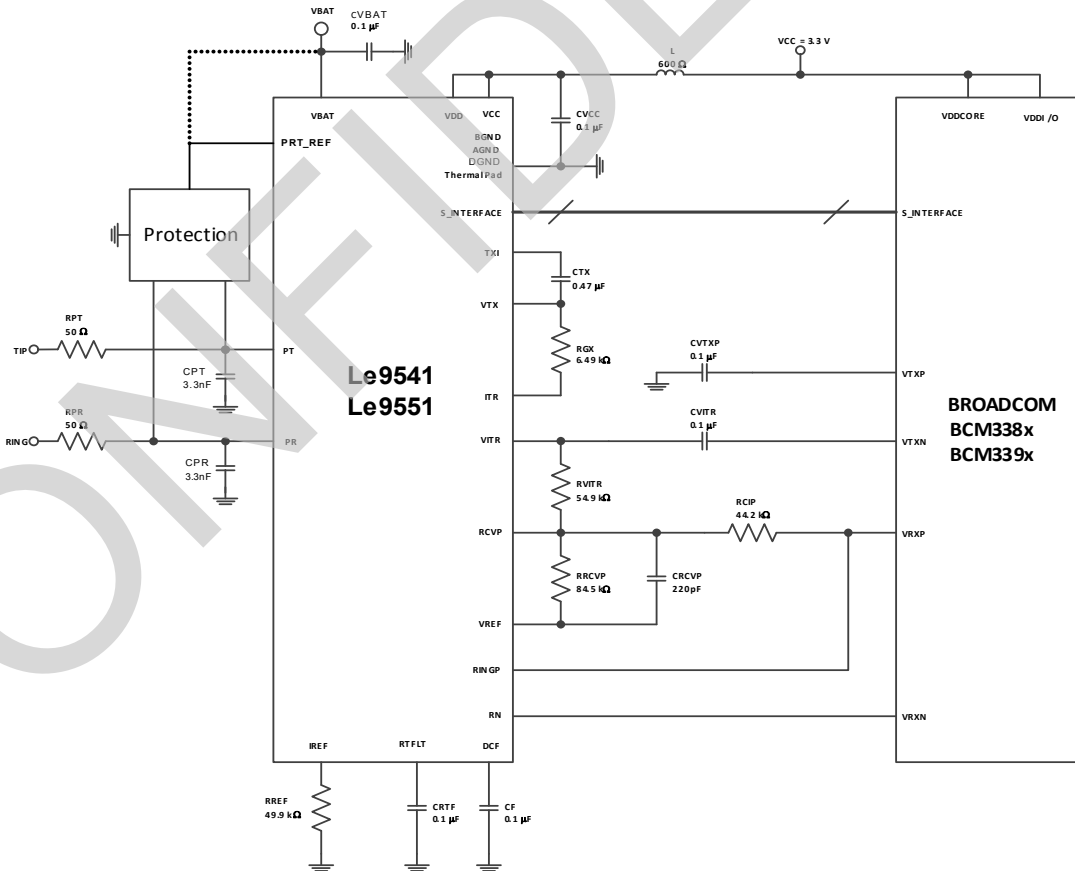
Figure 2 - 28 Pin 4x5mm QFN



Selected Electrical Specifications

Parameter	Min.	Typ.	Max.	Unit
Power Scan state, $V_{BAT} = -60$ V	—	30	36	mW
Power Active state, Forward/Reverse, $V_{BAT} = -60$ V	—	96	107	mW
Ring state, no load, $V_{BAT} = -100$ V (Le9541/51C)	—	211	236	mW
Ring state, no load, $V_{BAT} = -145$ V (Le9541/51D)	—	312	359	mW
Longitudinal to Metallic Balance at Tip/Ring	52	—	—	dB
PSRR VBAT 500Hz to 3000Hz (Active Modes)	40	—	—	dB
Gain vs. Frequency (transmit and receive), 600 Ω Termination, 1004 Hz, 1020 Hz Reference (typ):				
150 Hz to 300 Hz	-3.0	0	0.05	dB
300 Hz to 6.4 kHz	-1.0	0	0.05	
6.4 kHz to 6.8 kHz	-3.0	0	0.05	

Reference Schematic



Information relating to products and services furnished herein by Microsemi Corporation or its subsidiaries (collectively "Microsemi") is believed to be reliable. However, Microsemi assumes no liability for errors that may appear in this publication, or for liability otherwise arising from the application or use of any such information, product or service or for any infringement of patents or other intellectual property rights owned by third parties which may result from such application or use. Neither the supply of such information or purchase of product or service conveys any license, either express or implied, under patents or other intellectual property rights owned by Microsemi or licensed from third parties by Microsemi, whatsoever. Purchasers of products are also hereby notified that the use of product in certain ways or in combination with Microsemi, or non-Microsemi furnished goods or services may infringe patents or other intellectual property rights owned by Microsemi.

This publication is issued to provide information only and (unless agreed by Microsemi in writing) may not be used, applied or reproduced for any purpose nor form part of any order or contract nor to be regarded as a representation relating to the products or services concerned. The products, their specifications, services and other information appearing in this publication are subject to change by Microsemi without notice. No warranty or guarantee express or implied is made regarding the capability, performance or suitability of any product or service. Information concerning possible methods of use is provided as a guide only and does not constitute any guarantee that such methods of use will be satisfactory in a specific piece of equipment. It is the user's responsibility to fully determine the performance and suitability of any equipment using such information and to ensure that any publication or data used is up to date and has not been superseded. Manufacturing does not necessarily include testing of all functions or parameters. These products are not suitable for use in any medical and other products whose failure to perform may result in significant injury or death to the user. All products and materials are sold and services provided subject to Microsemi's conditions of sale which are available on request.

**For more information about all Microsemi products
visit our website at
www.microsemi.com**

TECHNICAL DOCUMENTATION – NOT FOR RESALE



Microsemi

Microsemi Corporate Headquarters
One Enterprise, Aliso Viejo CA 92656 USA
Within the USA: +1 (949) 380-6100
Sales: +1 (949) 380-6136
Fax: +1 (949) 215-4996

Microsemi Corporation (NASDAQ: MSCC) offers a comprehensive portfolio of semiconductor solutions for: aerospace, defense and security; enterprise and communications; and industrial and alternative energy markets. Products include mixed-signal ICs, SoCs, and ASICs; programmable logic solutions; power management products; timing and voice processing devices; RF solutions; discrete components; and systems. Microsemi is headquartered in Aliso Viejo, Calif. Learn more at www.microsemi.com.

© 2016 Microsemi Corporation. All rights reserved. Microsemi and the Microsemi logo are trademarks of Microsemi Corporation. All other trademarks and service marks are the property of their respective owners.

OUR CERTIFICATE

DiGi provide top-quality products and perfect service for customer worldwide through standardization, technological innovation and continuous improvement. DiGi through third-party certification, we stricly control the quality of products and services. Welcome your RFQ to

Email: Info@DiGi-Electronics.com



Tel: +00 852-30501935

RFQ Email: Info@DiGi-Electronics.com

DiGi is a global authorized distributor of electronic components.