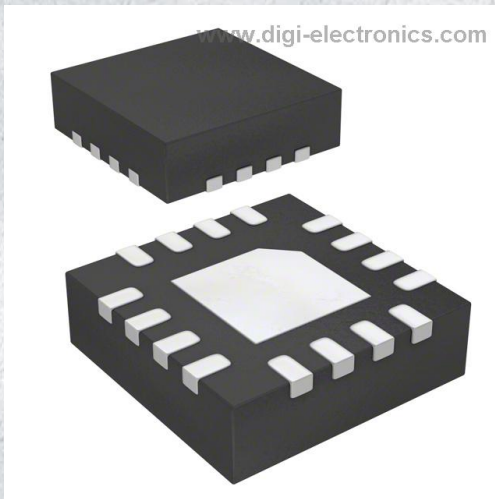


# MIC2870YFT-TR Datasheet



<https://www.DiGi-Electronics.com>

DiGi Electronics Part Number	MIC2870YFT-TR-DG
Manufacturer	<a href="#">Microchip Technology</a>
Manufacturer Product Number	MIC2870YFT-TR
Description	IC LED DRV RGLTR I2C 1.5A 16TQFN
Detailed Description	LED Driver IC 2 Output DC DC Regulator Step-Up (Boost) I2C Dimming 1.5A (Flash) 16-TQFN (2x2)



Tel: +00 852-30501935

RFQ Email: [Info@DiGi-Electronics.com](mailto:Info@DiGi-Electronics.com)

DiGi is a global authorized distributor of electronic components.

## Purchase and inquiry

Manufacturer Product Number:

MIC2870YFT-TR

Series:

-

Type:

DC DC Regulator

Internal Switch(s):

Yes

Voltage - Supply (Min):

2.7V

Voltage - Output:

5.2V

Frequency:

2MHz

Applications:

Camera Flash

Mounting Type:

Surface Mount

Supplier Device Package:

16-TQFN (2x2)

Manufacturer:

Microchip Technology

Product Status:

Obsolete

Topology:

Step-Up (Boost)

Number of Outputs:

2

Voltage - Supply (Max):

5V

Current - Output / Channel:

1.5A (Flash)

Dimming:

I2C

Operating Temperature:

-40°C ~ 125°C (TJ)

Package / Case:

16-UFQFN Exposed Pad

Base Product Number:

MIC2870

## Environmental & Export classification

RoHS Status:

ROHS3 Compliant

REACH Status:

REACH Unaffected

HTSUS:

8542.39.0001

Moisture Sensitivity Level (MSL):

3 (168 Hours)

ECCN:

EAR99



# MIC2870

## 1.5A Synchronous Boost Flash LED Driver with I<sup>2</sup>C Interface

### Features

- Up to 1.5A Flash LED Driving Current
- 2.7V to 5.0V Input Voltage Range
- High-Efficiency 2 MHz V<sub>F</sub> Adaptive Boost Driver
- Configurable 1 or 2 Channel(s) WLED Driver
- LED Driving Current Soft-Start
- Control through I<sup>2</sup>C Interface or External Pins
- Flash Inhibit Function for GSM Pulse Synchronization
- True Load Disconnect
- Flash Time-Out Protection
- 1  $\mu$ A Shutdown Current
- Available in 16-Pin 2 mm x 2 mm TQFN Package

### Applications

- Camera Phones/Mobile Handsets
- Cellular Phones/Smartphones
- LED Light for Image Capture/Auto-Focus/White Balance
- Handset Video Light (Torch Light)
- Digital Cameras
- Portable Applications

### General Description

The MIC2870 is a high-current, high-efficiency flash LED driver for one or two high-brightness camera flash LEDs.

The LED drive current is generated by an integrated inductive boost converter with 2 MHz switching frequency, which allows the use of a very small inductor and output capacitor. These features make the MIC2870 an ideal solution for high-resolution camera phone LED flashlight driver applications.

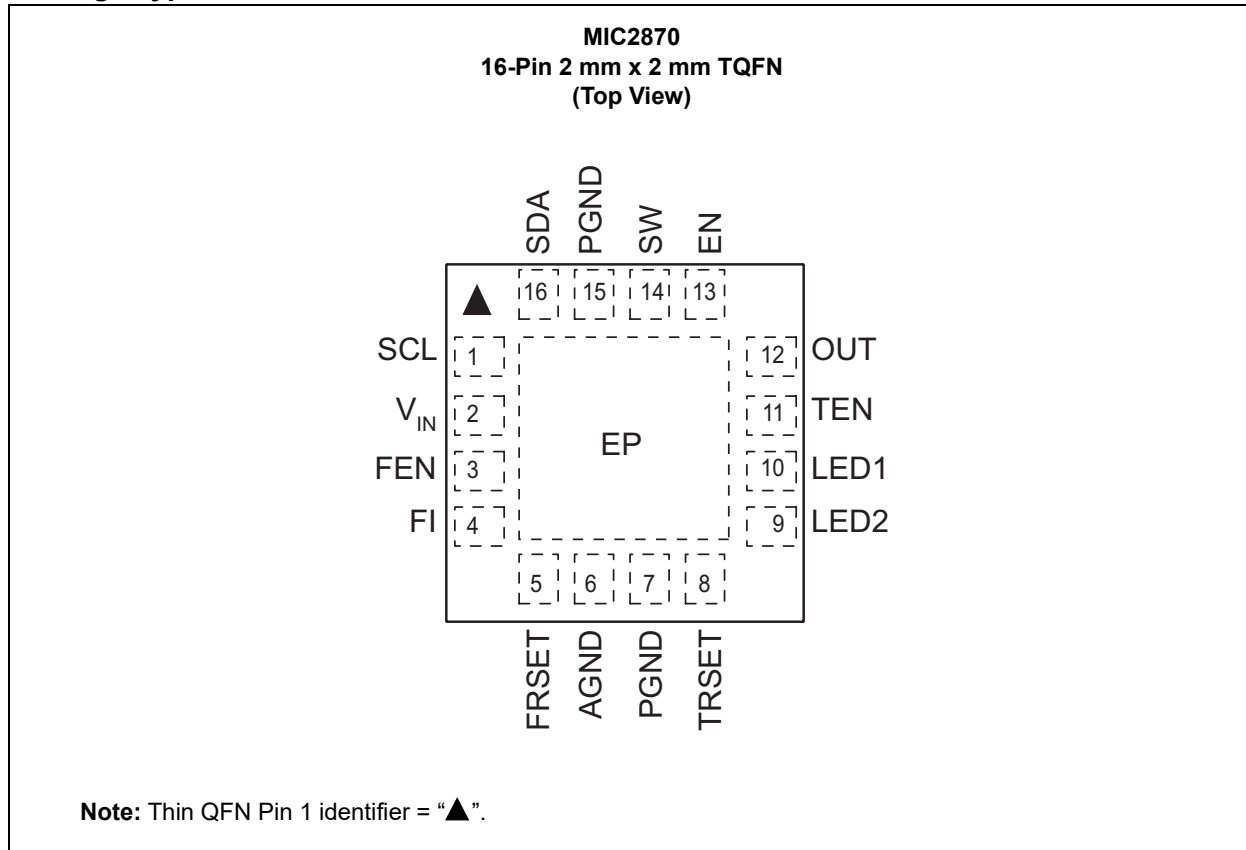
MIC2870 supports two 750 mA white LEDs (WLEDs) or a single 1.5A WLED configuration. When two WLEDs are connected, their currents are matched automatically.

MIC2870 operates in either Flash or Torch mode that can be controlled through either an I<sup>2</sup>C interface or external pins. The brightness in the Flash and Torch mode can be adjusted via two external resistors individually. The high-speed mode I<sup>2</sup>C interface provides a simple control at a clock speed up to 3.4 MHz to support most camera functions, such as auto-focus, white balance, and image capture (Flash mode).

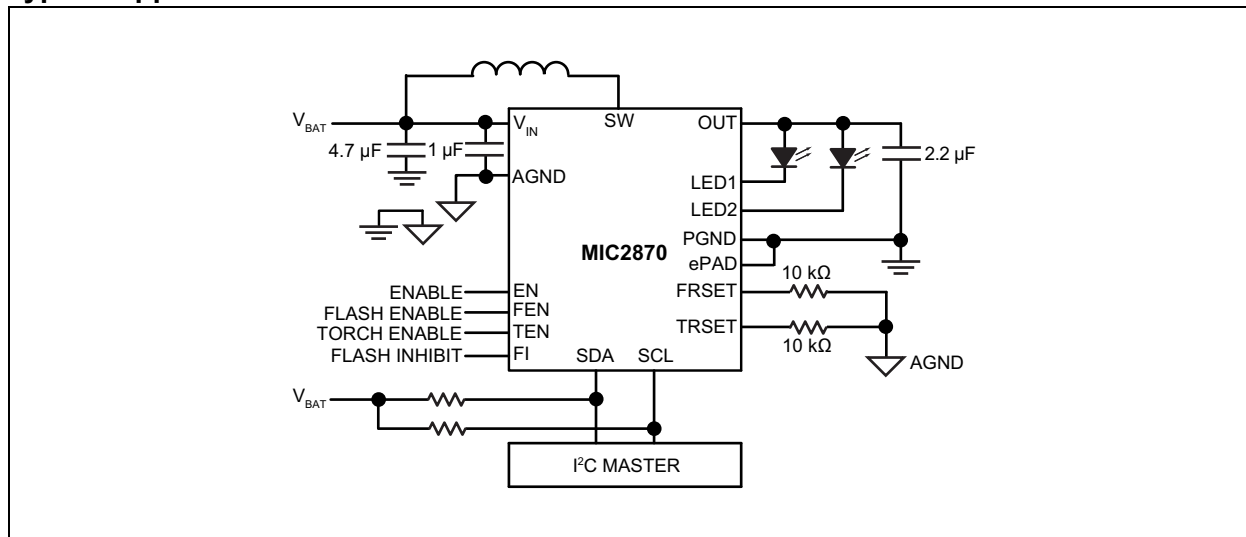
The MIC2870 is available in 16-pin, 2 mm x 2 mm TQFN package with a junction temperature range of  $-40^{\circ}\text{C}$  to  $+125^{\circ}\text{C}$ .

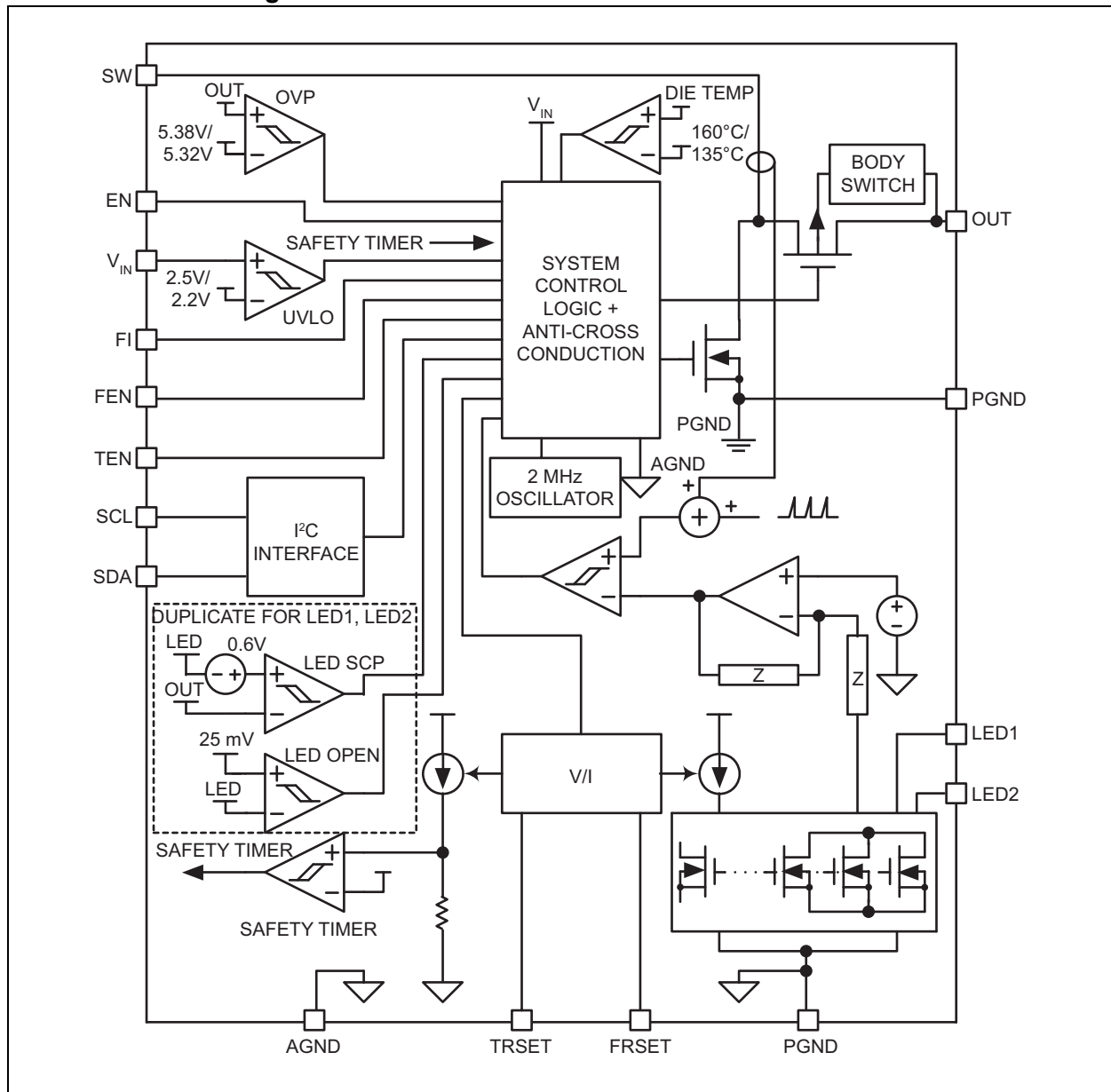
# MIC2870

## Package Type



## Typical Application Schematic



**Functional Block Diagram**

# MIC2870

## 1.0 ELECTRICAL CHARACTERISTICS

### Absolute Maximum Ratings†

Supply Voltage ( $V_{IN}$ ).....	-0.3V to +6.0V
Enable Input Voltage ( $V_{EN}$ , $V_{FEN}$ , $V_{FI}$ , $V_{TEN}$ ).....	-0.3V to $V_{IN} + 0.3V$
$V_{OUT}$ , $V_{LED1}$ , and $V_{LED2}$ .....	-0.3V to +6.0V
I <sup>2</sup> C I/O ( $V_{SCL}$ , $V_{SDA}$ ).....	-0.3V to $V_{IN} + 0.3V$
$V_{FRSET}$ and $V_{TRSET}$ .....	-0.3V to $V_{IN} + 0.3V$
$V_{SW}$ .....	-0.3V to +6.0V
Power Dissipation <sup>(1)</sup> ( $P_{DISS}$ ).....	Internally Limited
ESD Rating <sup>(2)</sup> .....	2 kV HBM and 150V MM

† **Notice:** Stresses above those listed under “Maximum Ratings” may cause permanent damage to the device. This is a stress rating only and functional operation of the device at those or any other conditions above those indicated in the operational sections of this specification is not intended. Exposure to maximum rating conditions for extended periods may affect device reliability.

- Note 1:** The maximum allowable power dissipation at any  $T_A$  (ambient temperature) is  $P_{DISS(max)} = (T_{J(max)} - T_A)/\theta_{JA}$ . Exceeding the maximum allowable power dissipation will result in excessive die temperature and the regulator will go into thermal shutdown.
- 2:** Devices are ESD-sensitive. Handling precautions are recommended. Human body model, 1.5 k $\Omega$  in series with 100 pF.

### Operating Ratings<sup>(1)</sup>

Supply Voltage ( $V_{IN}$ ).....	+2.7V to +5.0V
Enable Input Voltage ( $V_{EN}$ , $V_{FEN}$ , $V_{FI}$ , $V_{TEN}$ ).....	0V to $V_{IN}$
I <sup>2</sup> C I/O ( $V_{SCL}$ , $V_{SDA}$ ).....	0V to $V_{IN}$

- Note 1:** The device is not ensured to function outside the operating range.

TABLE 1-1: ELECTRICAL CHARACTERISTICS<sup>(1)</sup>

Electrical Specifications: unless otherwise specified, $V_{IN} = 3.6V$ ; $L = 1 \mu H$ ; $C_{OUT} = 2.2 \mu F$ ; $R_{RSET} = 10 k\Omega$ ; $R_{TRSET} = 10 k\Omega$ ; $I_{LED} = 100 mA$ ; $T_A = T_J = +25^\circ C$ . <b>Boldface</b> values indicate $-40^\circ C \leq T_J \leq +125^\circ C$ .						
Parameter	Symbol	Min.	Typ.	Max.	Units	Test Conditions
<b>Power Supply</b>						
Input Voltage	$V_{IN}$	<b>2.7</b>	—	<b>5.0</b>	V	—
Quiescent Current	$I_{VIN}$	—	0.9	—	mA	$V_{LED1} = V_{LED2} > 200 mV$ , not switching ( <b>Note 2</b> )
		—	4.2	—		$V_{LED1} = V_{LED2} = 70 mV$ , boost keeps switching ( <b>Note 2</b> )
Shutdown Current	$I_{VIN(SD)}$	—	0.6	—	$\mu A$	$V_{EN} = 0V$ ( <b>Note 2</b> )
SW Pin Shutdown Current	$I_{SW(SD)}$	—	1	<b>5</b>	$\mu A$	$V_{EN} = 0V$
UVLO Threshold (Rising)	UVLO_Rise	2.35	2.5	2.65	V	—
UVLO Hysteresis	UVLO_Hyst	—	300	—	mV	( <b>Note 2</b> )
Output Voltage	$V_{OUT}$	—	—	$V_{IN}$	V	$V_{IN} \geq V_{OUT}$
		—	—	5.2		$V_{OUT} > V_{IN}$
Overvoltage Protection Threshold	$V_{OVP}$	<b>5.26</b>	5.38	<b>5.6</b>	V	$V_{OUT} > V_{IN}$
Overvoltage Protection Hysteresis	$V_{OVP\_HYS}$	—	60	—	mV	( <b>Note 2</b> )
OVP Blanking Time	$T_{BLANK\_OVP}$	—	24	—	$\mu s$	( <b>Note 2</b> )
Maximum Duty Cycle	$D_{MAX}$	80	85	90	%	—
Minimum Duty Cycle	$D_{MIN}$	—	5.5	—	%	( <b>Note 2</b> )
Switch Current Limit	$I_{SW\_OC}$	<b>3.35</b>	4.5	<b>5.65</b>	A	$V_{IN} = V_{OUT} = 2.7V$
Oscillator Frequency	$F_{SW}$	1.8	2.0	2.2	MHz	—
Switch-on Resistance	$R_{ON(N)}$	—	80	—	m $\Omega$	$V_{VIN} = 2.7V$ , $I_{SW} = 750 mA$ ( <b>Note 2</b> )
	$R_{ON(P)}$	—	80	—		$V_{SW} = 2.7V$ , $I_{OUT} = 750 mA$ ( <b>Note 2</b> )
NMOS Switch Leakage Current	$I_{LK(N)}$	—	1	<b>5</b>	$\mu A$	$V_{EN} = 0V$ , $V_{IN} = V_{SW} = V_{OUT} = 5V$
PMOS Switch Leakage Current	$I_{LK(P)}$	—	1	<b>5</b>	$\mu A$	$V_{EN} = 0V$ , $V_{IN} = V_{OUT} = 5V$ , $V_{SW} = 0V$
Auto-Discharge NMOS Resistance	$R_{DCHG}$	—	160	—	$\Omega$	$V_{EN} = 0V$ , $I_{OUT} = -1 mA$ ( <b>Note 2</b> )
Overtemperature Shutdown Threshold	$T_{SD}$	—	160	—	$^\circ C$	( <b>Note 2</b> )
Overtemperature Shutdown Hysteresis	$T_{SD\_HYST}$	—	25	—	$^\circ C$	( <b>Note 2</b> )
Flash Safety Time-out Shutdown	$T_{FLASH\_TIMEOUT}$	—	1.25	—	s	Maximum time-out setting ( <b>Note 2</b> )
<b>Current Sink Channels</b>						
Channel Current Accuracy	Accu <sub>LED_Ch</sub>	-10	—	10	%	$V_{LED1} = V_{LED2} = 890 mV$ , $I_{LED1} = I_{LED2} = 750 mA$
Channel Current Matching	Match <sub>LED_Ch</sub>	-5	—	5	%	$V_{LED1} = V_{LED2} = 890 mV$ , $I_{LED1} = I_{LED2} = 750 mA$
Current Sink Dropout	$V_{DROPOUT}$	—	100	—	mV	Boost is in regulation ( <b>Note 2</b> )

**Note 1:** Specification for packaged product only.

**Note 2:** Specifications are obtained by design and characterization; not 100% tested in production.

# MIC2870

**TABLE 1-1: ELECTRICAL CHARACTERISTICS<sup>(1)</sup> (CONTINUED)**

<b>Electrical Specifications:</b> unless otherwise specified, $V_{IN} = 3.6V$ ; $L = 1 \mu H$ ; $C_{OUT} = 2.2 \mu F$ ; $R_{FRSET} = 10 k\Omega$ ; $R_{TRSET} = 10 k\Omega$ ; $I_{LED} = 100 mA$ ; $T_A = T_J = +25^\circ C$ . <b>Boldface</b> values indicate $-40^\circ C \leq T_J \leq +125^\circ C$ .						
Parameter	Symbol	Min.	Typ.	Max.	Units	Test Conditions
LED1 Leakage Current	$I_{LK\_LED1}$	—	0.05	—	$\mu A$	$V_{IN} = 3.6V$ , $V_{EN} = 0V$ , $V_{LED1} = 3.6V$ ( <b>Note 2</b> )
LED2 Leakage Current	$I_{LK\_LED2}$	—	0.05	—	$\mu A$	$V_{IN} = 3.6V$ , $V_{EN} = 0V$ , $V_{LED2} = 3.6V$ ( <b>Note 2</b> )
FRSET Pin Voltage	$V_{FRSET}$	<b>0.970</b>	1.00	<b>1.030</b>	V	$R_{FRSET} = 10 k\Omega$ , Flash mode
FRSET Current Sourcing	$I_{FRSET}$	<b>90</b>	100	<b>110</b>	$\mu A$	$R_{FRSET}$ pin is shorted to ground, Flash mode
TRSET Pin Voltage	$V_{TRSET}$	<b>0.970</b>	1.00	<b>1.030</b>	V	$R_{TRSET} = 10 k\Omega$ , Torch mode
TRSET Current Sourcing	$I_{TRSET}$	<b>90</b>	100	<b>110</b>	$\mu A$	$R_{TRSET}$ pin is shorted to ground, Torch mode
<b>EN/FEN/TEN/FI Control Pins</b>						
EN High-Level Voltage	$V_{EN\_ON}$	<b>1.5</b>	—	—	V	Boost converter and chip logic on
EN Low-Level Voltage	$V_{EN\_OFF}$	—	—	<b>0.4</b>	V	Boost converter and chip logic off
FEN High-Level Voltage	$V_{FEN\_ON}$	<b>1.5</b>	—	—	V	Flash on
FEN Low-Level Voltage	$V_{FEN\_OFF}$	—	—	<b>0.4</b>	V	Flash off
TEN High-Level Voltage	$V_{TEN\_ON}$	<b>1.5</b>	—	—	V	Torch on
TEN Low-Level Voltage	$V_{TEN\_OFF}$	—	—	<b>0.4</b>	V	Torch off
FI High-Level Voltage	$V_{FI\_ON}$	<b>1.5</b>	—	—	V	Flash inhibit on
FI Low-Level Voltage	$V_{FI\_OFF}$	—	—	<b>0.4</b>	V	Flash inhibit off
EN Pin Current	—	—	2	5	$\mu A$	$V_{EN} = 5V$
FEN/TEN/FI Pin Current	—	—	1	5	$\mu A$	$V_{FEN} = V_{TEN} = V_{FI} = 5V$
EN Off Blanking Time	$t_{Blank\_EN\_Off}$	0.90	1.10	1.30	s	EN pin should be driven low for more than this time before the IC enters Sleep mode
<b>I<sup>2</sup>C Interface – SCL/SDA Pins (Ensured by Design)</b>						
Maximum Operating Frequency	$f_{SCL}$	—	—	<b>3.4</b>	MHz	—
Low-Level Input Voltage	$V_{IL}$	—	—	<b>0.4</b>	V	—
High-Level Input Voltage	$V_{IH}$	<b>1.5</b>	—	—	V	—
SDA Pull-Down Resistance	$R_{SDA\_DN}$	—	20	—	$\Omega$	( <b>Note 2</b> )

**Note 1:** Specification for packaged product only.

**Note 2:** Specifications are obtained by design and characterization; not 100% tested in production.



**TABLE 1-1: ELECTRICAL CHARACTERISTICS<sup>(1)</sup> (CONTINUED)**

<b>Electrical Specifications:</b> unless otherwise specified, $V_{IN} = 3.6V$ ; $L = 1 \mu H$ ; $C_{OUT} = 2.2 \mu F$ ; $R_{FRSET} = 10 k\Omega$ ; $R_{TRSET} = 10 k\Omega$ ; $I_{LED} = 100 mA$ ; $T_A = T_J = +25^\circ C$ . <b>Boldface</b> values indicate $-40^\circ C \leq T_J \leq +125^\circ C$ .						
<b>Parameter</b>	<b>Symbol</b>	<b>Min.</b>	<b>Typ.</b>	<b>Max.</b>	<b>Units</b>	<b>Test Conditions</b>
<b>Additional Protection Features</b>						
LED1/LED2 Open Detect Threshold	$V_{TH\_LEDOPE}$	15	25	40	mV	—
Open Detect Blanking Time	$T_{BLANK\_OPEN}$	—	65	—	$\mu s$	<b>(Note 2)</b>
Open Retry Time-out	$T_{RETRY\_OPEN}$	—	100	—	ms	<b>(Note 2)</b>
Short Trigger Threshold	$V_{TH\_LEDSHORT}$	400	600	800	mV	$V_{OUT} - \text{MAX}[V_{LED1}, V_{LED2}]$ , $V_{OUT} = 3.6V$
Short Trigger Hysteresis	$V_{HYST\_LED-SHORT}$	—	200	—	mV	<b>(Note 2)</b>
Short Trigger Blanking Time	$T_{BLANK\_SHORT}$	—	30	—	$\mu s$	<b>(Note 2)</b>
Short Retry Time-out	$T_{RETRY\_SHORT}$	—	100	—	ms	<b>(Note 2)</b>

**Note 1:** Specification for packaged product only.

**2:** Specifications are obtained by design and characterization; not 100% tested in production.

# MIC2870

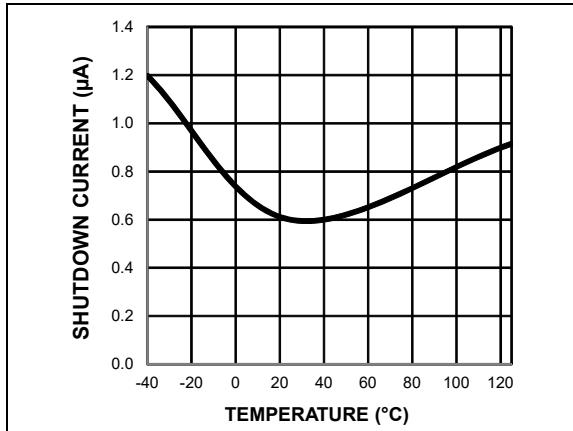
## TEMPERATURE SPECIFICATIONS (Note 1)

Parameters	Sym.	Min.	Typ.	Max.	Units	Conditions
<b>Temperature Ranges</b>						
Maximum Junction Temperature Range	$T_J$	-40	—	150	°C	—
Operating Junction Temperature Range	$T_J$	-40	—	125	°C	—
Storage Temperature	$T_S$	-40	—	150	°C	—
Lead Temperature	—	—	—	260	°C	Soldering, 10s
<b>Package Thermal Resistance</b>						
Thermal Resistance 2 mm x 2 mm TQFN-16LD	$\theta_{JA}$	—	+80	—	°C/W	—

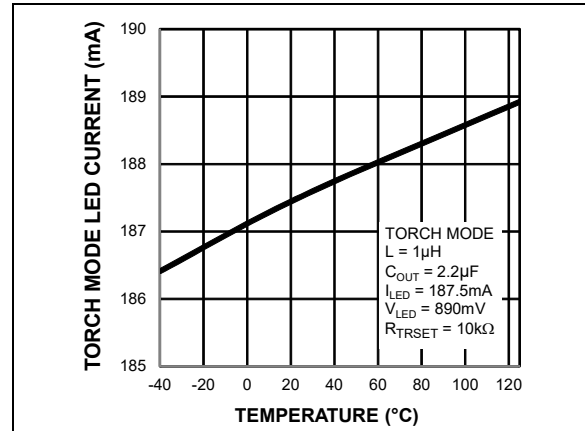
**Note 1:** The maximum allowable power dissipation is a function of ambient temperature, the maximum allowable junction temperature and the thermal resistance from junction to air (i.e.,  $T_A$ ,  $T_J$ ,  $\theta_{JA}$ ). Exceeding the maximum allowable power dissipation will cause the device operating junction temperature to exceed the maximum +150°C rating. Sustained junction temperatures above +150°C can impact the device reliability.

## 2.0 TYPICAL PERFORMANCE CURVES

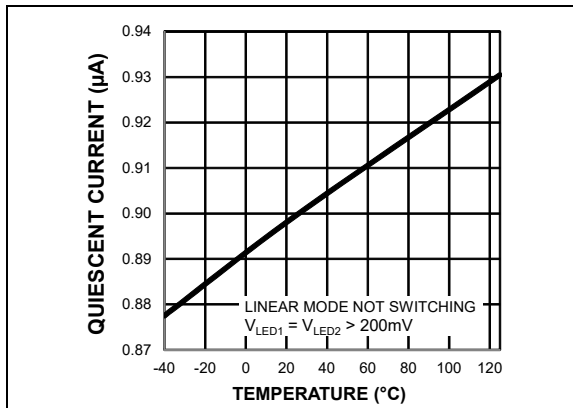
**Note:** The graphs and tables provided following this note are a statistical summary based on a limited number of samples and are provided for informational purposes only. The performance characteristics listed herein are not tested or guaranteed. In some graphs or tables, the data presented may be outside the specified operating range (e.g., outside specified power supply range) and therefore outside the warranted range.



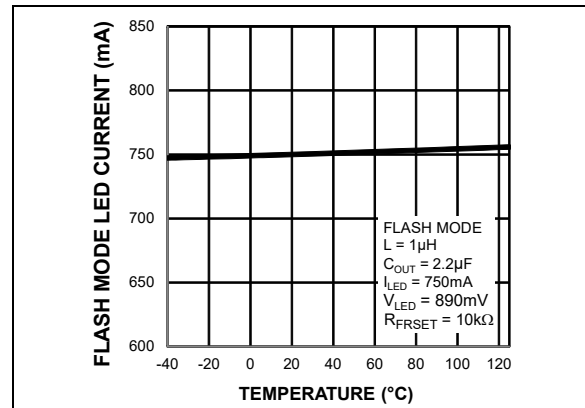
**FIGURE 2-1:** Shutdown Current vs. Temperature.



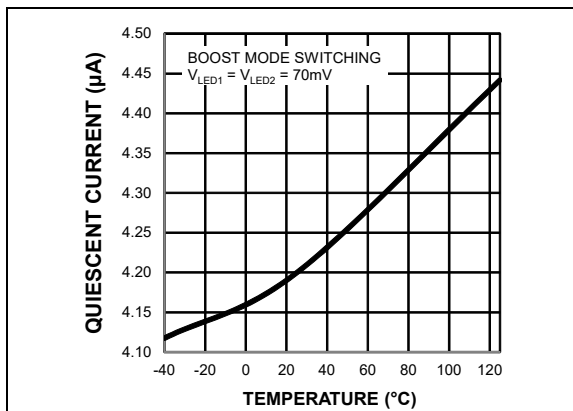
**FIGURE 2-4:** Torch Mode LED1 and LED2 Current vs. Temperature.



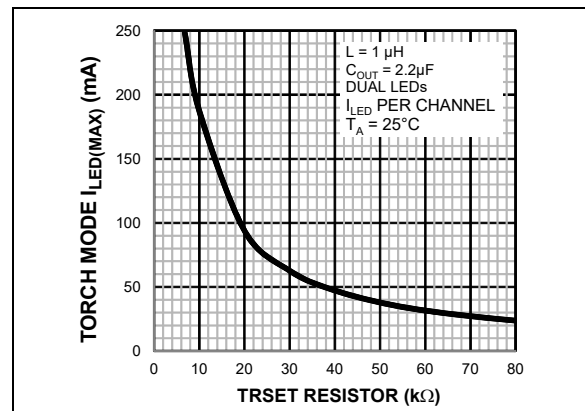
**FIGURE 2-2:** Quiescent Current (Linear Mode) vs. Temperature.



**FIGURE 2-5:** Flash Mode LED1 and LED2 Current vs. Temperature.

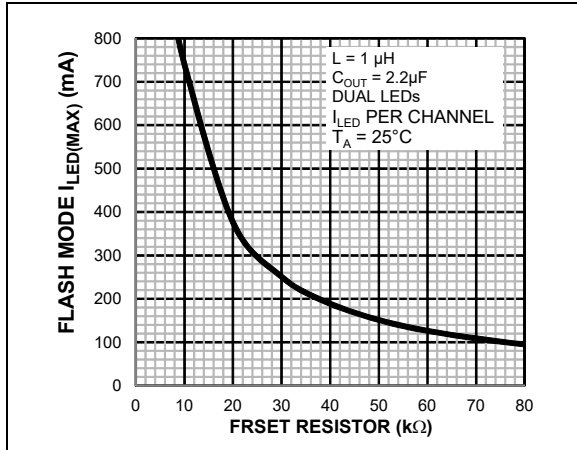


**FIGURE 2-3:** Quiescent Current (Boost Mode) vs. Temperature.

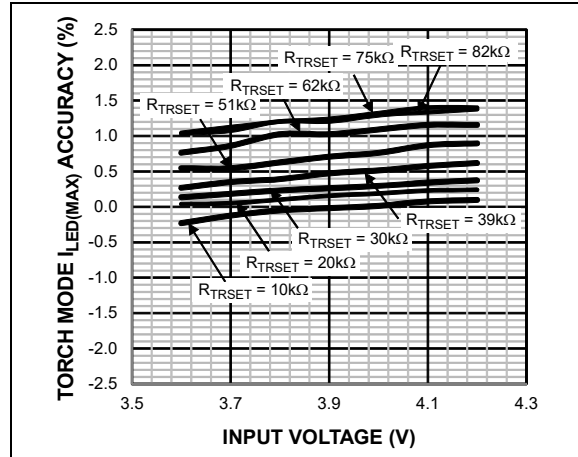


**FIGURE 2-6:** Torch Mode  $I_{LED(MAX)}$  (Dual LEDs) vs. TRSET Resistor.

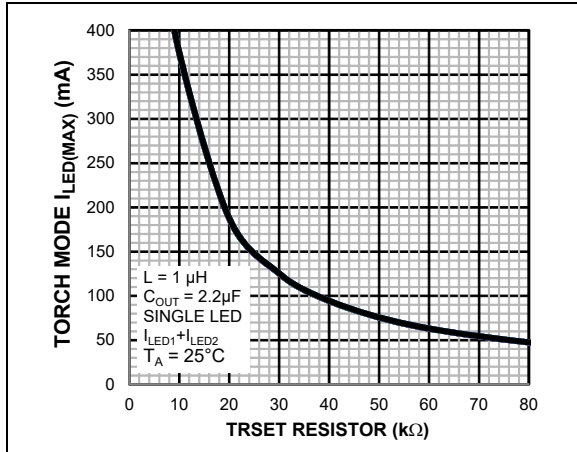
# MIC2870



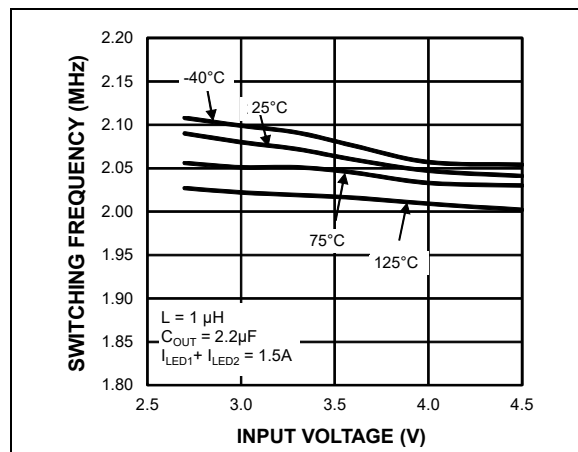
**FIGURE 2-7:** Flash Mode  $I_{LED(MAX)}$  (Dual LEDs) vs. FRSET Resistor.



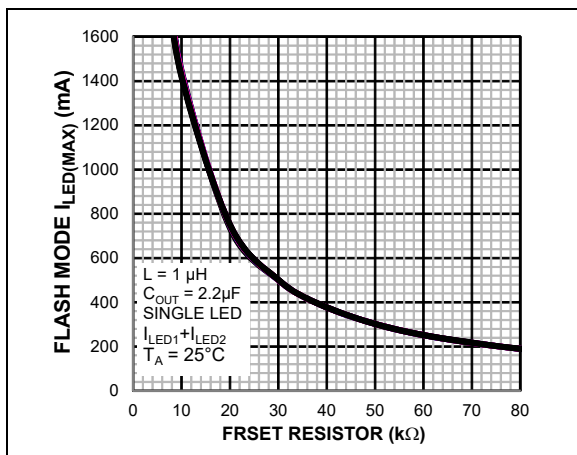
**FIGURE 2-10:** Torch Mode  $I_{LED(MAX)}$  Accuracy vs. Input Voltage.



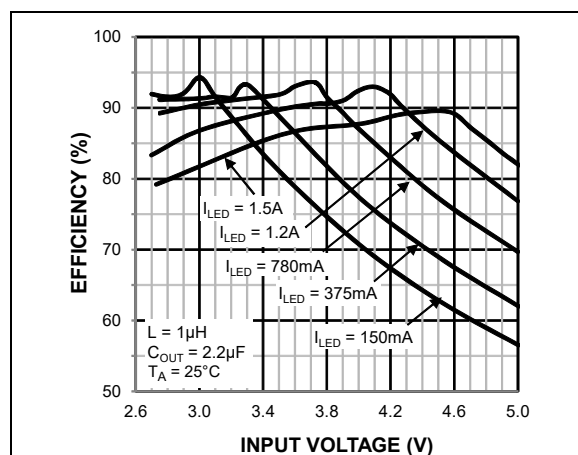
**FIGURE 2-8:** Torch Mode  $I_{LED(MAX)}$  (Single LED) vs. TRSET Resistor.



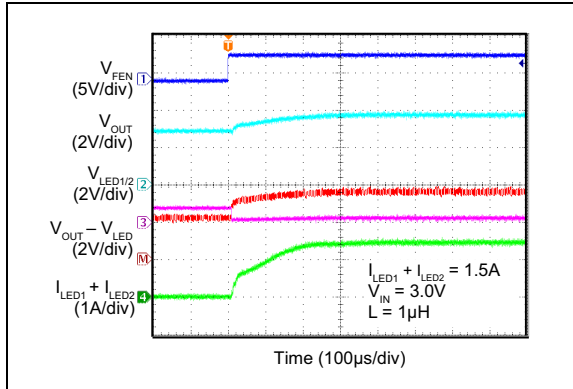
**FIGURE 2-11:** Boost Switching Frequency vs. Input Voltage.



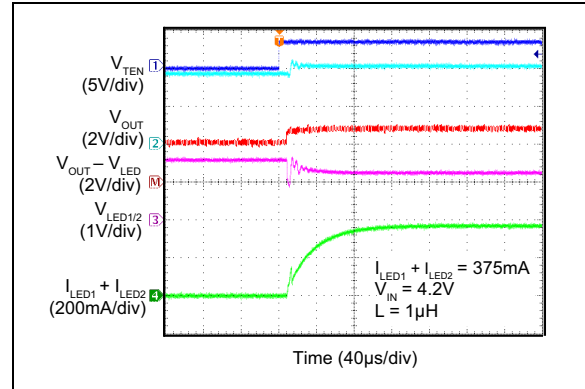
**FIGURE 2-9:** Flash Mode  $I_{LED(MAX)}$  (Single LED) vs. FRSET Resistor.



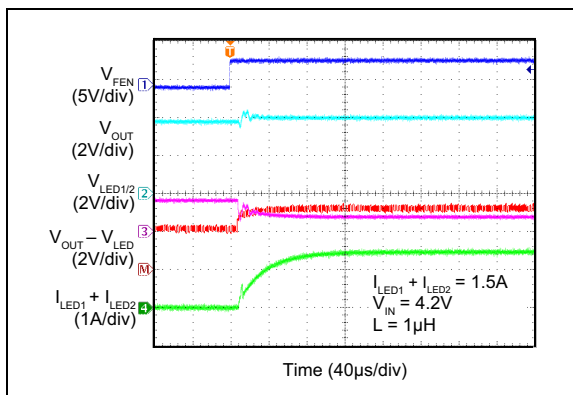
**FIGURE 2-12:** WLED Output Power Efficiency vs. Input Voltage.



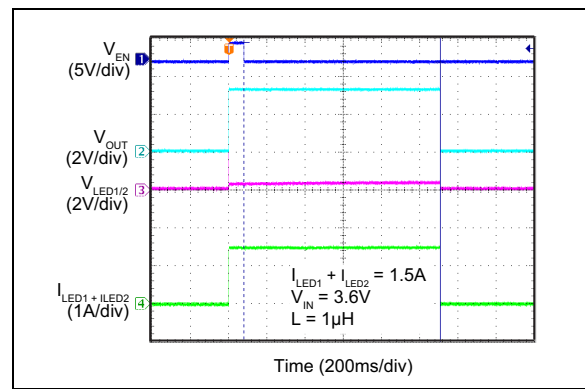
**FIGURE 2-13:** Flash Mode Turn-On Sequence (Boost Mode).



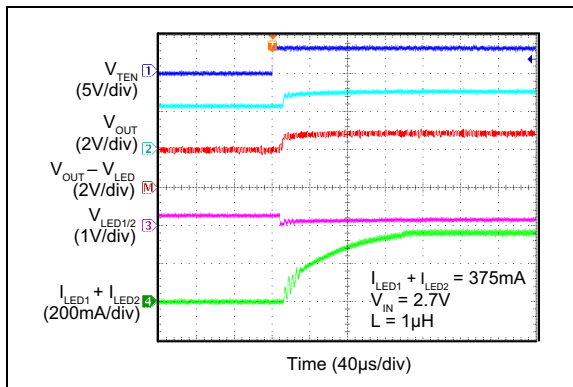
**FIGURE 2-16:** Torch Mode Turn-On Sequence (Linear Mode).



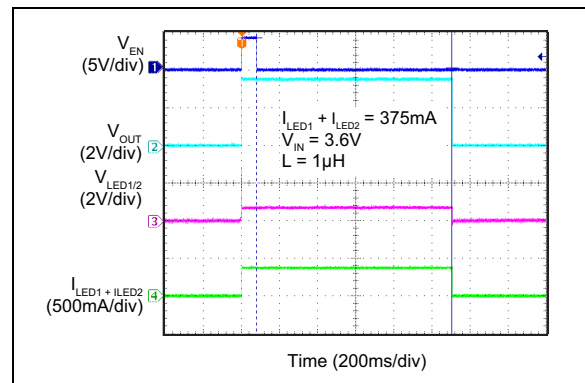
**FIGURE 2-14:** Flash Mode Turn-On Sequence (Linear Mode).



**FIGURE 2-17:** Flash Mode Load Disconnect and Enable Off Blanking Time.

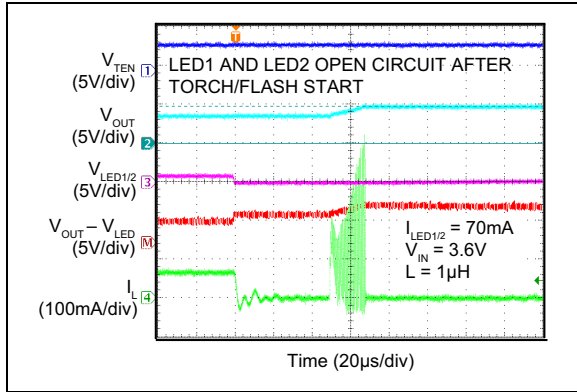


**FIGURE 2-15:** Torch Mode Turn-On Sequence (Boost Mode).

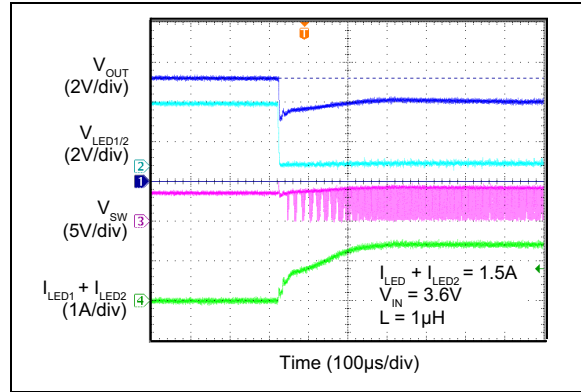


**FIGURE 2-18:** Torch Mode Load Disconnect and Enable Off Blanking Time.

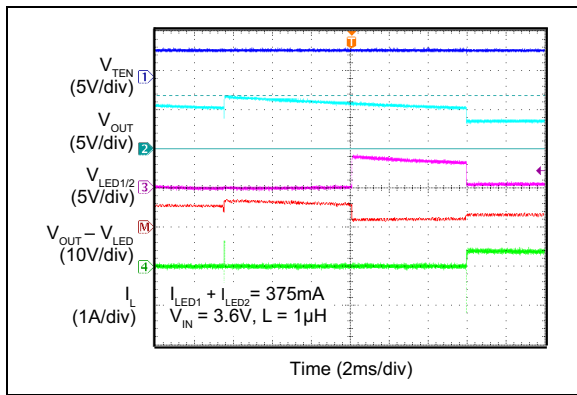
# MIC2870



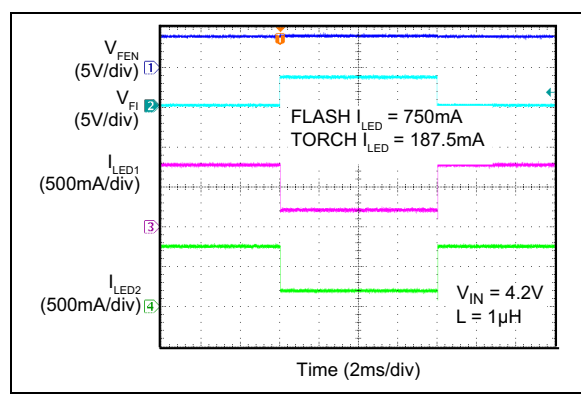
**FIGURE 2-19:** LED Open-Circuit Protection.



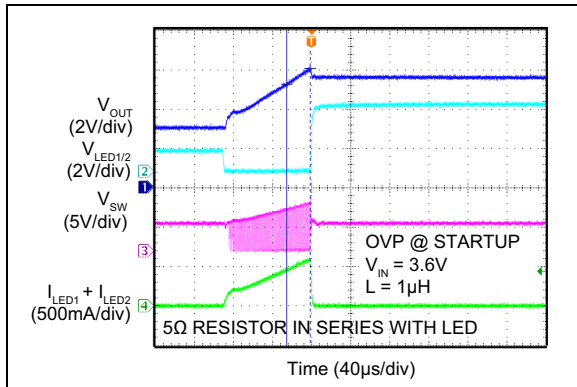
**FIGURE 2-22:** Overvoltage Protection Recovery.



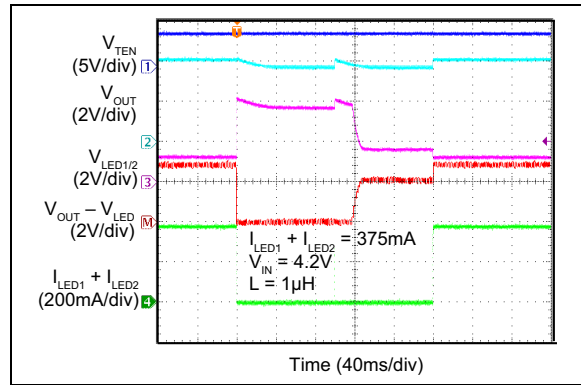
**FIGURE 2-20:** LED Open-Circuit Protection Recovery.



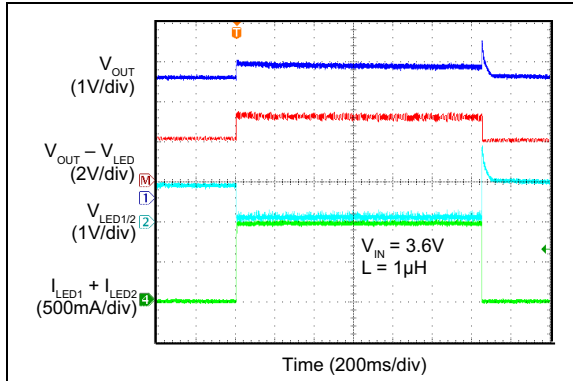
**FIGURE 2-23:** Flash Inhibit and Recovery.



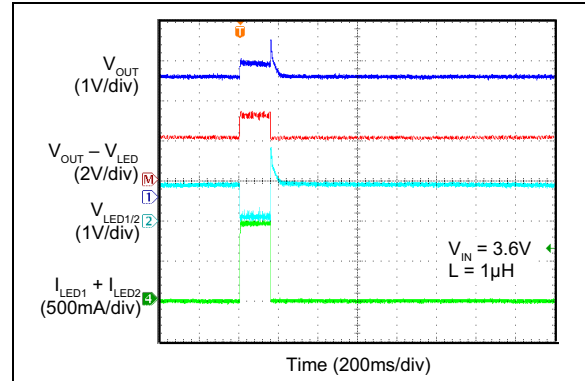
**FIGURE 2-21:** Overvoltage Protection.



**FIGURE 2-24:** LED Short-Circuit Protection, Retry and Recovery.



**FIGURE 2-25:** Flash Safety Timer @ 1250 ms.



**FIGURE 2-26:** Flash Safety Timer @ 156 ms.

# MIC2870

## 3.0 PIN DESCRIPTIONS

The descriptions of the pins are listed in [Table 3-1](#).

**TABLE 3-1: PIN FUNCTION TABLE**

MIC2870 Pin Number	Pin Name	Pin Function
1	SCL	High-Speed Mode (3.4 MHz) I <sup>2</sup> C Clock Input.
2	V <sub>IN</sub>	Supply Input: Connect a low-ESR ceramic capacitor of at least 4.7 μF to PGND. A small capacitor of 100 nF between V <sub>IN</sub> and AGND is highly recommended.
3	FEN	Flash-Mode Enable Pin: A low-to-high transition initiates the Flash mode and Flash mode timer. If FEN is left floating, it is pulled-down internally by a built-in 1 μA current source when the device is enabled.
4	FI	Flash Inhibit: When FI is pulled high, both LED currents are changed from the Flash mode current level to the Torch mode current level. If FI is left floating, it is pulled down internally by a built-in 1 μA current source when the device is enabled. This function is generally used to reduce instantaneous battery load current by synchronizing with the handset's GSM pulse off-time.
5	FRSET	Flash Mode Current-Level Programming: Connect a resistor from FRSET to AGND to set the maximum current in the Flash mode. For example, a 10 kΩ resistor sets the LED sink current to its maximum value of 750 mA per channel. FRSET can be grounded if the default maximum Flash mode current (750 mA) is desired. FRSET, however, cannot be left floating and the maximum resistance is limited to 80 kΩ.
6	AGND	Analog Ground: Reference ground for the FRSET and TRSET pins.
7, 15	PGND	Power Ground: PGND is used for the switching NMOS and PMOS of boost converter and Power Ground for LED current sinks.
8	TRSET	Torch Mode Current Level Programming: Connect a resistor from TRSET to AGND to set the maximum current in the Torch mode. For example, a 10 kΩ resistor sets the LED sink current to its maximum value of 187.5 mA per channel. TRSET can be grounded if the default maximum Torch mode current (187.5 mA) is desired. TRSET, however, cannot be left floating and the maximum resistance is limited to 80 kΩ.
9	LED2	Channel 2 LED Current Sink: Connect the LED anode to OUT and the cathode to LED2.
10	LED1	Channel 1 LED Current Sink: Connect the LED anode to OUT and the cathode to LED1.
11	TEN	Torch Mode Enable: Initiates Torch mode when TEN is high. If TEN is left floating, it is pulled down internally by a built-in 1 μA current source when the device is enabled.
12	OUT	Boost Converter Output.
13	EN	Enable (IC): The MIC2870 is in Standby mode when EN is asserted high. If EN is driven low for more than 1s, the IC is shut down. Alternatively, the I <sup>2</sup> C interface can be used for enabling/disabling the IC through the Master Control/Status register. EN is pulled down by an internal resistor.
14	SW	Inductor Connection: It is connected to the internal power MOSFETs.
16	SDA	High-Speed Mode (3.4 MHz) I <sup>2</sup> C Data Input/Output.
EP	ePAD	Exposed Heat Sink Pad: Connect to PGND ground plane for best thermal performance. This pin is internally connected to PGND.



## 4.0 FUNCTIONAL DESCRIPTION

### 4.1 $V_{IN}$

The input supply provides power to the internal MOSFETs' gate drive and controls circuitry for the switch mode regulator. The operating input voltage range is from 2.7V to 5.0V. A 4.7  $\mu$ F low-ESR ceramic input capacitor should be connected from  $V_{IN}$  to AGND, as close to MIC2870 as possible to ensure a clean supply voltage for the device. The minimum voltage rating of 10V is recommended for the input capacitor.

### 4.2 SW

The MIC2870 has internal low-side and synchronous MOSFET switches. The switch node (SW), between the internal MOSFET switches, connects directly to one end of the inductor and provides the current paths during switching cycles. The other end of the inductor is connected to the input supply voltage. Due to the high-speed switching on this pin, the switch node should be routed away from sensitive nodes wherever possible.

### 4.3 AGND

This is the ground path for the internal biasing and control circuitry. The current loop of the Analog Ground should be separated from that of the Power Ground (PGND). AGND should be connected to PGND at a single point.

### 4.4 PGND

The Power Ground pin is the ground path for the high current in the boost switch and the ground path of the LED current sinks. The current loop for the Power Ground should be as small as possible and separate from the AGND loop as applicable.

### 4.5 OUT

OUT is the boost converter output pin, which is connected to the anode of the LED. A low-ESR ceramic capacitor of 2.2  $\mu$ F or larger should be connected from OUT to PGND, as close as possible to the MIC2870. The minimum voltage rating of 10V is recommended for the output capacitor.

### 4.6 LED1/LED2

These are the current sink pins for the LED(s). The LED anode is connected to the OUT pin and the LED cathode is connected to the LED1/LED2 pin(s).

### 4.7 EN

This is the enable pin of the MIC2870. The MIC2870 is in Standby mode when the EN pin is asserted high. If this pin is driven low for more than one second, the IC is shut down. Alternatively, the I<sup>2</sup>C interface can be used for

enabling/disabling the IC through the Master Control/Status register. EN is pulled down by an internal resistor.

### 4.8 FEN

FEN is the hardware enable pin for Flash mode. A logic low-to-high transition on the FEN pin initiates the Flash mode. If the FEN pin is left floating, it is pulled down internally by a built-in 1  $\mu$ A current source when the device is enabled. Flash mode is terminated when FEN is pulled low or left floating, and the Flash Control register is cleared.

### 4.9 TEN

TEN is the hardware enable pin for Torch mode. A logic low-to-high transition on the TEN pin initiates the Torch mode. If the TEN pin is left floating, it is pulled down internally by a built-in 1  $\mu$ A current source when the device is enabled. Torch mode is terminated when TEN is pulled low or left floating, and the Torch Control register is cleared.

### 4.10 FI

FI is the Flash Inhibit pin. When this pin is high in Flash mode, both the LED1 and LED2 currents are changed from the Flash mode current level to the Torch mode current level. When this pin is low, both the LED1 and LED2 currents are changed from the Torch mode current level back to the original Flash mode current level.

### 4.11 FRSET

The Flash mode maximum LED current level is programmed through the FRSET pin. A resistor connected from FRSET to AGND sets the maximum current in the Flash mode. FRSET can be grounded for the default Flash mode current of 0.75A. For best current accuracy, a 0.1% tolerance resistor is recommended. FRSET cannot be left floating and the maximum resistance is limited to 80 k $\Omega$ .

### 4.12 TRSET

The Torch mode maximum LED current level is programmed through the TRSET pin. A resistor connected from the TRSET pin to AGND sets the maximum current in the Torch mode. TRSET can be grounded for the default torch mode current of 187.5 mA. For best current accuracy, a 0.1% tolerance resistor is recommended. TRSET cannot be left floating and the maximum resistance is limited to 80 k $\Omega$ .

### 4.13 SCL

The I<sup>2</sup>C clock input pin provides a reference clock for clocking in the data signal. This is a high-speed mode, up to 3.4 MHz, input pin and requires a 4.7 k $\Omega$  pull-up resistor.

# MIC2870

---

## 4.14 SDA

The I<sup>2</sup>C data input/output pin allows for data to be written to and read from the MIC2870. This is a high-speed mode, up to 3.4 MHz, I<sup>2</sup>C pin and requires a 4.7 k $\Omega$  pull-up resistor.

## 5.0 APPLICATION INFORMATION

The MIC2870 can drive one or two high-current Flash WLEDs in either Flash mode or Torch mode. Two WLEDs can be used to optimize the light output and beam shaping through the optical lens/reflector assembly. In this case, the two channels, up to 750 mA each, are matched to within 10% for optimal Flash illumination. When the two channels are combined to drive a single high-brightness WLED, the maximum current is 1.5A. If one of the channels is left floating, MIC2870 senses the circuit condition automatically and allows the other channel to operate.

### 5.1 Flash Mode

The maximum current level in the Flash mode is 750 mA per channel. This current level can be adjusted through an external resistor connected to FRSET, according to the following equation:

#### EQUATION 5-1: ADJUSTING FLASH MODE CURRENT LEVEL

$$I_{LED(MAX)} = \frac{7500}{R_{FRSET}}$$

Alternatively, the default maximum value of 750 mA per channel is used when FRSET is grounded.

The Flash mode current can be initiated at the preset FRSET brightness level by asserting FEN high or by setting the I<sup>2</sup>C Flash Control register (address: 01h) for the desired Flash duration, subjected to the Flash safety time-out setting. The Flash mode current is terminated when FEN is brought low and the I<sup>2</sup>C Flash register is cleared.

The Flash Inhibit (FI) pin can be used to synchronize the Flash current to a handset GSM pulse event to prevent excessive battery droop. When the FEN and FI pins are both high, the Flash mode current is limited to the Torch mode current setting. The FI pin is also functional when the Flash mode current is enabled through the I<sup>2</sup>C Flash register.

Flash mode current can be adjusted to a fraction of the maximum Flash mode level (either default or set by the FRSET resistor) by selecting the desired Flash current level percentage in the Flash Control register (address: 01h) through the I<sup>2</sup>C interface. The Flash current is the product of the maximum Flash current setting and the percentage selected in the Flash register.

The Flash safety time-out feature automatically shuts down the Flash current if the Flash mode is enabled for an extended period of time. Refer to the Flash safety timer setting in [Table 5-4](#).

### 5.2 Torch Mode

The maximum Torch mode current level can be adjusted through an external resistor connected to the TRSET pin, according to [Equation 5-2](#):

#### EQUATION 5-2: ADJUSTING TORCH MODE CURRENT LEVEL

$$I_{LED(MAX)} = \frac{7500}{4R_{TRSET}}$$

Alternatively, the default maximum value of 187.5 mA per channel is used when the TRSET pin is grounded. The Torch mode operation is activated by asserting TEN high or by setting the I<sup>2</sup>C Torch register (address: 02h) for the desired duration. The Torch mode current is terminated when TEN is brought low and the I<sup>2</sup>C Torch register is cleared.

Like the Flash mode current, the Torch mode current can be set to a fraction of the maximum Torch mode level (either default or set by the TRSET resistor) by selecting the desired torch current level percentage in the Torch register (address: 02h) through the I<sup>2</sup>C interface. The torch current is the product of the maximum torch current setting and the percentage selected in the Torch register.

### 5.3 Overvoltage Protection

When the output voltage rises above the overvoltage protection (OVP) threshold, the MIC2870 is turned off automatically to avoid permanent damage to the IC.

### 5.4 Open-Circuit Detection

The Open-Circuit Detector (OCD) is active only when the LED current regulator is turned on. When the external LED is missing or fails open, the LED1/2 pin voltage is pulled to near the ground potential by the internal current sink. If both LEDs are open or missing, the Open-Circuit Detector would force the boost regulator and LED current regulator to turn off. The MIC2870 will try to turn on the boost regulator and LED current regulator again after a 100 ms time-out. However, in most practical cases, the boost output voltage would rise above the OVP threshold when both LED channels have an open Fault. The OVP function would cause the MIC2870 to shut down.

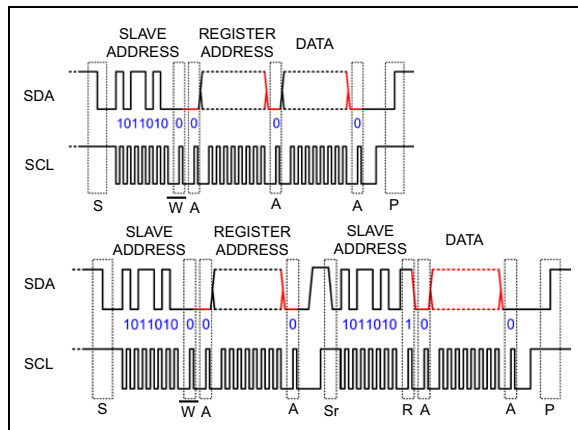
# MIC2870

## 5.5 Short-Circuit Detection

Like the OCD, the short-circuit detector is active only when the current regulator is turned on. If either one or both of the external LEDs fail a short, the short-circuit detector would force the MIC2870 to turn off. The MIC2870 will try to turn on the boost regulator and LED current regulator again after a 100 ms time-out. If the short condition persists, the whole cycle repeats again. Prolonged operation in short-circuit condition is not recommended as it can damage the device.

## 5.6 I<sup>2</sup>C Interface

Figure 5-1 shows the communications required for write and read operations via the I<sup>2</sup>C interface. The black lines show master communications and the red lines show the slave communications. During a write operation, the master must drive SDA and SCL for all stages, except the Acknowledgment (A) shown in red, which is provided by the slave (MIC2870):



**FIGURE 5-1:** I<sup>2</sup>C Timing Example.

The read operation begins with a dataless write to select the register address from which to read. Then, a restart sequence is issued and then a read command followed by the data read.

The MIC2870 responds to a slave address of Hex: 0xB4 and 0xB5 for write and read operations, respectively, or binary '1011010x' (where 'x' is the read/write bit).

The register address is eight bits wide and carries the address of the MIC2870 register to be operated upon. Only the lower three bits are used.

## 5.7 I<sup>2</sup>C Registers

MIC2870 contains three 8-bit Read/Write registers, having an address from 00h to 02h for operation control, as shown in Table 5-1. These registers are reset to their default values in a Power-on Reset (POR) event. In other words, they hold their previous contents when the chip is shut down as long as supply voltage is above 1.5V (typical).

**TABLE 5-1: MIC2870 REGISTER MAP**

Register Address	Register Name	Description
00h	Master Control/Status	Chip Enable Control and Status register
01h	Flash Control	Flash Mode Current, Flash Mode Enable and Flash Time-out Control register
02h	Torch Control	Torch Mode Current and Torch Mode Enable Control register

### 5.8 Master Control/Status Register (00h)

The Master Control/Status register allows the MIC2870 to be enabled by the I<sup>2</sup>C interface – setting the ON[ ] bit high has the same effect as asserting the EN pin. The LED Short bit, LED\_SHT[ ], is set if any or both of the LEDs is shorted to OUT, while the LED Open bit, LED\_OP[ ], is asserted only when both LEDs are open circuit. The Thermal Shutdown bit, TSD[ ], is set when the junction temperature of the MIC2870 is higher than +160°C.

### 5.9 Flash Control Register (01h)

The Flash safety timer and Flash mode current are configurable via the Flash Control register. Refer to the Flash time-out duration setting and Flash mode current setting in Table 5-4 and Table 5-5.

### 5.10 Torch Control Register (02h)

The Torch mode current is configurable via the Torch Control register. Refer to the Torch mode current setting in Table 5-7. The FI[ ] bit has the same function as the FI pin. When the FI[ ] bit is set, the Flash mode current is reduced to the Torch mode current setting.

**TABLE 5-2: MASTER CONTROL REGISTER (00h)**

Bit	D7	D6	D5	D4	D3	D2	D1	D0
Name	Reserved				ON	LED_SHT	LED_OP	TSD
Access	R				R/W	R		
Default Value	0							

**TABLE 5-3: FLASH CONTROL REGISTER (01h)**

Bit	D7	D6	D5	D4	D3	D2	D1	D0
Name	FTMR			FEN	FCUR			
Access	R/W							
Default Value	111			0	0000			

**TABLE 5-4: FLASH SAFETY TIMER SETTING (FTMR)**

Register Value (D<7:5>)	Flash Time-out Duration (ms)
111	1250
110	1093.75
101	937.5
100	781.25
011	625
010	468.75
001	312.5
000	156.25

**TABLE 5-5: FLASH MODE CURRENT SETTING (FCUR)**

Percentage of Maximum Current (%)	Register Value (D<3:0>) of 01h	Current per Channel (mA) ( $R_{FRSET} = 0\Omega$ )	Combined Current (mA) ( $R_{FRSET} = 0\Omega$ )
100	0000	750.0	1500.0
90	0001	675.0	1350.0
80	0010	600.0	1200.0
70	0011	525.0	1050.0
63	0100	472.5	945.0
56	0101	420.0	840.0
50	0110	375.0	750.0
44.7	0111	335.3	670.5
39.8	1000	298.5	597.0
35.5	1001	266.3	532.5
31.6	1010	237.0	474.0
28.2	1011	211.5	423.0
25.1	1100	188.3	376.5
22.4	1101	168.0	336.0
20	1110	150.0	300.0
18	1111	135.0	270.0

# MIC2870

**TABLE 5-6: TORCH CONTROL REGISTER (02h)**

Bit	D7	D6	D5	D4	D3	D2	D1	D0
Name	Reserved		FI	TEN	TCUR			
Access	RO		R/W					
Default Value	0				0000			

**TABLE 5-7: TORCH MODE CURRENT SETTING (TCUR)**

Percentage of Maximum Current (%)	Register Value (D<3:0> of 02h)	Current per Channel (mA) ( $R_{TRSET} = 0\Omega$ )	Combined Current (mA) ( $R_{TRSET} = 0\Omega$ )
100	0000	187.5	375.0
90	0001	168.8	337.5
80	0010	150.0	300.0
70	0011	131.3	262.5
63	0100	118.1	236.3
56	0101	105.0	210.0
50	0110	93.8	187.5
44.7	0111	83.8	167.6
39.8	1000	74.6	149.3
35.5	1001	66.6	133.1
31.6	1010	59.3	118.5
28.2	1011	52.9	105.8
25.1	1100	47.1	94.1
22.4	1101	42.0	84.0
20	1110	37.5	75.0
18	1111	33.8	67.5

---

## 6.0 COMPONENT SELECTION

### 6.1 Inductor

Inductor selection is a balance between efficiency, stability, cost, size, and rated current. Because the boost converter is compensated internally, the recommended inductance of L is limited from 1  $\mu\text{H}$  to 2.2  $\mu\text{H}$  to ensure system stability. It is usually a good balance between these considerations.

A large inductance value reduces the peak-to-peak inductor ripple current; hence, the output ripple voltage and the LED ripple current. This also reduces both the DC loss and the transition loss at the same inductor's DC Resistance (DCR). However, the DCR of an inductor usually increases with the inductance in the same package size. This is due to the longer windings required for an increase in inductance. Because the majority of the input current passes through the inductor, the higher the DCR, the lower the efficiency is, and more significantly, at higher load currents. On the other hand, an inductor with smaller DCR, but the same inductance, usually has a larger size. The saturation current rating of the selected inductor must be higher than the maximum peak inductor current to be encountered and should be at least 20% to 30% higher than the average inductor current at maximum output current.

### 6.2 Input Capacitor

A ceramic capacitor of 4.7  $\mu\text{F}$  or larger with low-ESR is recommended to reduce the input voltage ripple to ensure a clean supply voltage for the device. The input capacitor should be placed as close as possible to the MIC2870  $V_{\text{IN}}$  pin, with a short trace for good noise performance. X5R or X7R type ceramic capacitors are recommended for better tolerance over temperature. The Y5V and Z5U type temperature rating ceramic capacitors are not recommended due to their large reduction in capacitance over temperature and increased resistance at high frequencies. These reduce their ability to filter out high-frequency noise. The rated voltage of the input capacitor should be at least 20% higher than the maximum operating input voltage over the operating temperature range.

### 6.3 Output Capacitor

Output capacitor selection is also a trade-off between performance, size and cost. Increasing the output capacitor will lead to an improved transient response, however, the size and cost will also increase. The output capacitor is preferred in the range of 2.2  $\mu\text{F}$  to 10  $\mu\text{F}$  with ESR from 10  $\text{m}\Omega$  to 50  $\text{m}\Omega$ . X5R or X7R type ceramic capacitors are recommended for better tolerance over temperature.

The Y5V and Z5U type ceramic capacitors are not recommended due to their wide variation in capacitance over temperature and increased resistance at high frequencies. The rated voltage of the output capacitor should be at least 20% higher than the maximum operating output voltage over the operating temperature range.

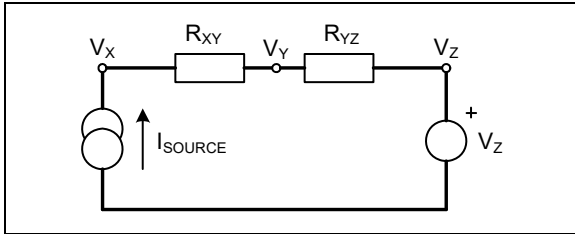
### 6.4 FRSET/TRSET Resistor

Because the FRSET/TRSET resistor is used for setting the maximum LED current in Flash mode and Torch mode, respectively, a resistor type with 0.1% tolerance is recommended for more accurate LED current setting.

# MIC2870

## 7.0 POWER DISSIPATION CONSIDERATION

As with all power devices, the ultimate current rating of the output is limited by the thermal properties of the device package and the PCB on which the device is mounted. There is a simple, Ohm's law type relationship between thermal resistance, power dissipation and temperature, which are analogous to an electrical circuit:



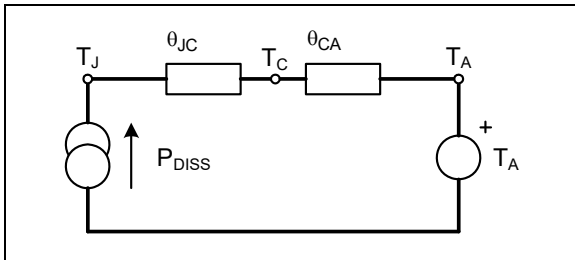
**FIGURE 7-1:** Series Electrical Resistance Circuit.

From this simple circuit, we can calculate  $V_X$  if we know the  $I_{SOURCE}$ ,  $V_Z$  and the resistor values,  $R_{XY}$  and  $R_{YZ}$ , using Equation 7-1:

### EQUATION 7-1: CALCULATING $V_X$

$$V_X = I_{SOURCE} \times (R_{XY} + R_{YZ}) + V_Z$$

Thermal circuits can be considered using this same rule and can be drawn similarly by replacing current sources with power dissipation (in watts), resistance with thermal resistance (in  $^{\circ}\text{C}/\text{W}$ ) and voltage sources with temperature (in  $^{\circ}\text{C}$ ).



**FIGURE 7-2:** Series Thermal Resistance Circuit.

Now replacing the variables in the equation for  $V_X$ , we can find the Junction Temperature ( $T_J$ ) from the power dissipation, ambient temperature, and the known thermal resistance of the PCB ( $\theta_{CA}$ ) and the package ( $\theta_{JC}$ ).

### EQUATION 7-2: JUNCTION TEMPERATURE

$$T_J = P_{DISS} \times (\theta_{JC} + \theta_{CA}) + T_A$$

As can be seen in the diagram, the total thermal resistance:  $\theta_{JA} = \theta_{JC} + \theta_{CA}$ . Hence, this can also be written as in Equation 7-3:

### EQUATION 7-3:

$$T_J = P_{DISS} \times (\theta_{JA}) + T_A$$

Where:

$\theta_{JA}$  = Thermal resistance between junction and ambient, which is typically  $80^{\circ}\text{C}/\text{W}$  for 2 x 2 TQFN package

Because, all of the power losses (minus the inductor losses) in the converter are dissipated within the MIC2870 package,  $P_{DISS}$  can be calculated thus:

### EQUATION 7-4: CALCULATING $P_{DISS}$

$$\text{Linear Mode: } P_{DISS} = [P_{OUT} \times \left(\frac{1}{\eta} - 1\right)] - I_{OUT}^2 \times \text{DCR}$$

$$\text{Boost Mode: } P_{DISS} = [P_{OUT} \times \left(\frac{1}{\eta} - 1\right)] - \left(\frac{I_{OUT}}{1-D}\right)^2 \times \text{DCR}$$

$$\text{Duty Cycle in Boost Mode: } D = \frac{V_{OUT} - V_{IN}}{V_{OUT}}$$

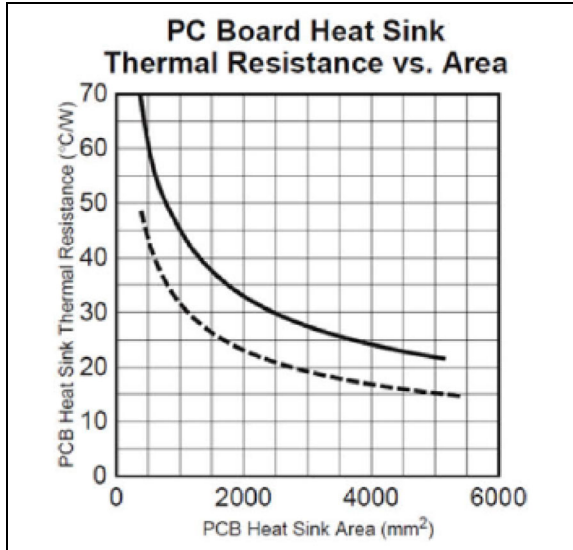
Where:

$\eta$  = Efficiency taken from efficiency curves

DCR = Inductor DCR



Where the real board area differs from 1" square,  $\theta_{CA}$  (the PCB thermal resistance) values for various PCB copper areas can be taken from [Figure 7-3](#). [Figure 7-3](#) is taken from "Designing with Low Dropout Voltage Regulators" available from the Microchip web site ([www.microchip.com](http://www.microchip.com)).



**FIGURE 7-3:** Graph to Determine PC Board Area for a Given PCB Thermal Resistance.

[Figure 7-3](#) shows the total area of a round or square pad, centered on the device. The solid trace represents the area of a square single-sided, horizontal, solder masked, copper PC board trace heat sink, measured in square millimeters. No airflow is assumed. The dashed line shows the PC board's trace heat sink, covered in black oil-based paint, and with 1.3m/sec (250 feet per minute) airflow. This approaches a "best case" pad heat sink. Conservative design dictates using the solid trace data, which indicates that a maximum pad size of 5000 mm<sup>2</sup> is needed. This is a pad that is 71 mm x 71 mm (2.8 inches per side).

# MIC2870

---

## 8.0 PCB LAYOUT GUIDELINES

PCB layout is critical to achieve reliable, stable and efficient performance. A ground plane is required to control EMI and minimize the inductance in power and signal return paths. The following guidelines should be followed to ensure proper operation of the device:

### 8.1 IC (Integrated Circuit)

- Place the IC close to the point-of-load (in this case, the flash LED).
- Use fat traces to route the input and output power lines.
- Analog ground (AGND) and power ground (PGND) should be kept separate and connected at a single location.
- The exposed pad (ePad) on the bottom of the IC must be connected to the PGND ground plane of the PCB.
- 4 to 6 thermal vias must be placed on the PCB pad for exposed pad and connected it to the PGND ground plane to ensure a good PCB thermal resistance can be achieved.

### 8.2 VIN Decoupling Capacitor

- The VIN decoupling capacitor must be placed close to the VIN pin of the IC and preferably connected directly to the pin and not through any via. The capacitor must be located right at the IC.
- The VIN decoupling capacitor should be connected to analog ground (AGND).
- The VIN terminal is noise sensitive and the placement of capacitor is very critical.

### 8.3 Inductor

- Keep both the inductor connections to the switch node (SW) and input power line short and wide enough to handle the switching current. Keep the areas of the switching current loops small to minimize the EMI problem.
- Do not route any digital lines underneath or close to the inductor.
- Keep the switch node (SW) away from the noise sensitive pins.
- To minimize noise, place a ground plane underneath the inductor.

### 8.4 Output Capacitor

- Use wide and short traces to connect the output capacitor to the OUT and PGND pins.
- Place several vias to the ground plane close to the output capacitor ground terminal.
- Use either X5R or X7R temperature rating ceramic capacitors. Do not use Y5V or Z5U type ceramic capacitors.

### 8.5 Flash LED

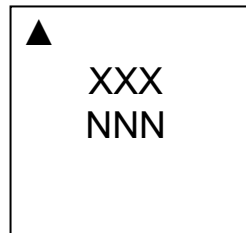
- Use wide and short trace to connect the LED anode to the OUT pin.
- Use wide and short trace to connect the LED cathode to the LED1/LED2 pins.
- Make sure that the LED's PCB land pattern can provide sufficient PCB pad heat sink to the flash LED.

### 8.6 FRSET/TRSET Resistor

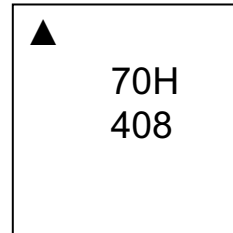
- The FRSET/TRSET resistor should be placed close to the FRSET/TRSET pin and connected to AGND.

**9.0 PACKAGING INFORMATION****9.1 Package Marking Information**

16-Lead TQFN\*



Example



<b>Legend:</b>	XX...X	Product code or customer-specific information
	Y	Year code (last digit of calendar year)
	YY	Year code (last 2 digits of calendar year)
	WW	Week code (week of January 1 is week '01')
	NNN	Alphanumeric traceability code
	(e3)	Pb-free JEDEC® designator for Matte Tin (Sn)
	*	This package is Pb-free. The Pb-free JEDEC designator (e3) can be found on the outer packaging for this package.
	•, ▲, ▼	Pin one index is identified by a dot, delta up or delta down (triangle mark).
<b>Note:</b>	In the event the full Microchip part number cannot be marked on one line, it will be carried over to the next line, thus limiting the number of available characters for customer-specific information. Package may or may not include the corporate logo.	
	Underbar ( _ ) and/or Overbar ( ¯ ) symbol may not be to scale.	

# MIC2870

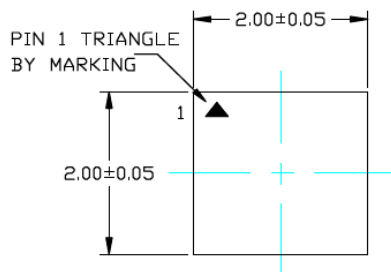
## 9.2 Package Details

The following sections give the technical details of the packages.

### TITLE

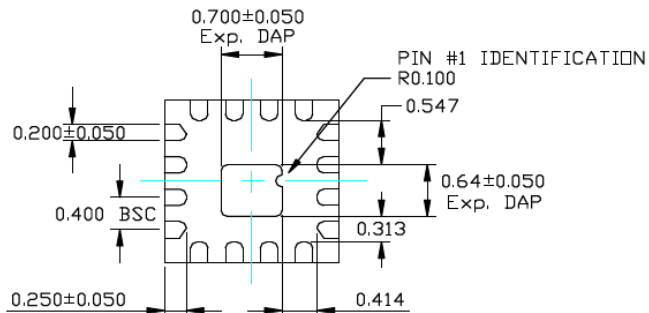
16 LEAD FTQFN 2X2mm PACKAGE (Flip Chip) OUTLINE & RECOMMENDED LAND PATTERN

DRAWING #	FTQFN22-16LD-PL-1	UNIT	MM
Lead Frame	NiPdAu	Lead Finish	NiPdAu



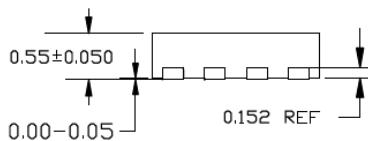
TOP VIEW

NOTE: 1, 2, 3, 4



BOTTOM VIEW

NOTE: 1, 2, 3, 4



SIDE VIEW

NOTE: 1, 2, 3, 4

### NOTE:

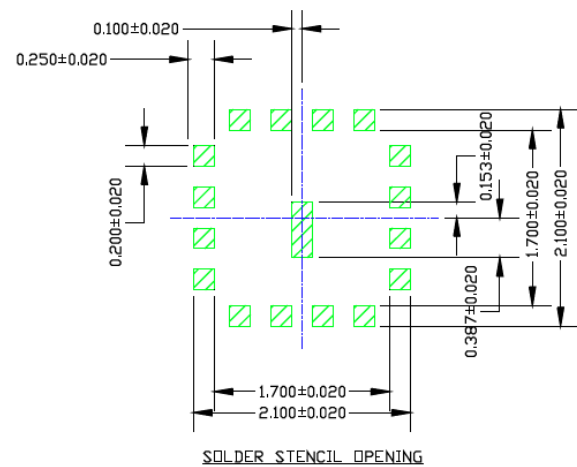
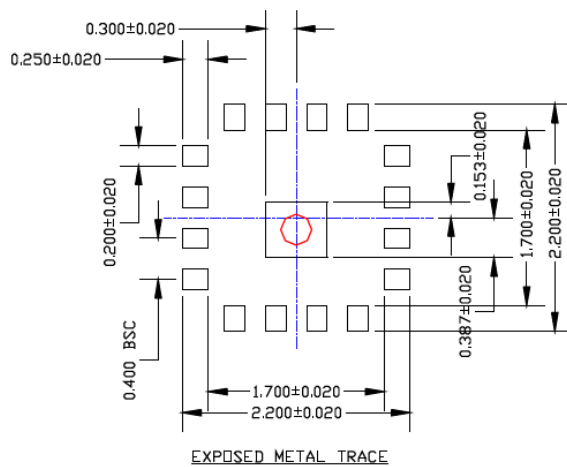
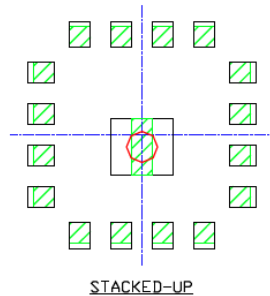
1. ALL DIMENSION ARE IN MILLIMETERS
2. MAX PACKAGE WARPAGE IS 0.08 MM
3. MAX ALLOWABLE BURR IS 0.076 MM IN ALL DIRECTIONS
4. PIN #1 ID WILL BE LASER MARKED
5. RED CIRCLE INDICATES THERMAL VIA. SIZE SHOULD BE 0.300 MM IN DIAMETER AND SHOULD BE CONNECTED TO GROUND PLANE FOR MAXIMUM THERMAL PERFORMANCE.
6. GREEN COLORED RECTANGLES (SHADED AREA) REPRESENT SOLDER STENCIL OPENING ON EXPOSED METAL TRACE.

Note: For the most current package drawings, please see the Microchip Packaging Specification located at <http://www.microchip.com/packaging>.

## POD-Land Pattern drawing # FTQFN22-16LD-PL-1

RECOMMENDED LAND PATTERN

NOTE: 5



Note: For the most current package drawings, please see the Microchip Packaging Specification located at <http://www.microchip.com/packaging>.

# MIC2870

---

NOTES:

## APPENDIX A: REVISION HISTORY

### Revision A (October 2018)

- Converted Micrel document MIC2870 to Microchip data sheet DS20006078A.
- Minor text changes throughout document.

# MIC2870

---

NOTES:



**PRODUCT IDENTIFICATION SYSTEM**

To order or obtain information, e.g., on pricing or delivery, contact your local Microchip representative or sales office.

<u>PART NO.</u>		X	XX	-	XX
Device	Temperature	Package	Media Type		
<b>Device:</b>	MIC2870:	1.5A Synchronous Boost Flash LED Driver with I <sup>2</sup> C Interface			
<b>Temperature:</b>	Y =	-40°C to +125°C			
<b>Package:</b>	FT =	16-Pin 2 mm x 2 mm TQFN			
<b>Media Type:</b>	T5 =	500/Reel			
	TR =	5,000/Reel			

<b>Examples:</b>	
a) MIC2870YFT-T5:	MIC2870, -40°C to +125°C Temp. Range, 16-Pin TQFN, 500/Reel
b) MIC2870YFT-TR:	MIC2870, -40°C to +125°C Temp. Range, 16-Pin TQFN, 5,000/Reel

**Note 1:** Tape and Reel identifier only appears in the catalog part number description. This identifier is used for ordering purposes and is not printed on the device package. Check with your Microchip Sales Office for package availability with the Tape and Reel option.

# MIC2870

---

NOTES:

**Note the following details of the code protection feature on Microchip devices:**

- Microchip products meet the specification contained in their particular Microchip Data Sheet.
- Microchip believes that its family of products is one of the most secure families of its kind on the market today, when used in the intended manner and under normal conditions.
- There are dishonest and possibly illegal methods used to breach the code protection feature. All of these methods, to our knowledge, require using the Microchip products in a manner outside the operating specifications contained in Microchip's Data Sheets. Most likely, the person doing so is engaged in theft of intellectual property.
- Microchip is willing to work with the customer who is concerned about the integrity of their code.
- Neither Microchip nor any other semiconductor manufacturer can guarantee the security of their code. Code protection does not mean that we are guaranteeing the product as “unbreakable.”

Code protection is constantly evolving. We at Microchip are committed to continuously improving the code protection features of our products. Attempts to break Microchip's code protection feature may be a violation of the Digital Millennium Copyright Act. If such acts allow unauthorized access to your software or other copyrighted work, you may have a right to sue for relief under that Act.

Information contained in this publication regarding device applications and the like is provided only for your convenience and may be superseded by updates. It is your responsibility to ensure that your application meets with your specifications. MICROCHIP MAKES NO REPRESENTATIONS OR WARRANTIES OF ANY KIND WHETHER EXPRESS OR IMPLIED, WRITTEN OR ORAL, STATUTORY OR OTHERWISE, RELATED TO THE INFORMATION, INCLUDING BUT NOT LIMITED TO ITS CONDITION, QUALITY, PERFORMANCE, MERCHANTABILITY OR FITNESS FOR PURPOSE. Microchip disclaims all liability arising from this information and its use. Use of Microchip devices in life support and/or safety applications is entirely at the buyer's risk, and the buyer agrees to defend, indemnify and hold harmless Microchip from any and all damages, claims, suits, or expenses resulting from such use. No licenses are conveyed, implicitly or otherwise, under any Microchip intellectual property rights unless otherwise stated.

*Microchip received ISO/TS-16949:2009 certification for its worldwide headquarters, design and wafer fabrication facilities in Chandler and Tempe, Arizona; Gresham, Oregon and design centers in California and India. The Company's quality system processes and procedures are for its PIC® MCUs and dsPIC® DSCs, KEELOQ® code hopping devices, Serial EEPROMs, microperipherals, nonvolatile memory and analog products. In addition, Microchip's quality system for the design and manufacture of development systems is ISO 9001:2000 certified.*

**QUALITY MANAGEMENT SYSTEM  
CERTIFIED BY DNV  
= ISO/TS 16949 =**

**Trademarks**

The Microchip name and logo, the Microchip logo, AnyRate, AVR, AVR logo, AVR Freaks, BitCloud, chipKIT, chipKIT logo, CryptoMemory, CryptoRF, dsPIC, FlashFlex, flexPWR, Helder, JukeBlox, KeeLoq, Klear, LANCheck, LINK MD, maXStylus, maXTouch, MediaLB, megaAVR, MOST, MOST logo, MPLAB, OptoLyzer, PIC, picoPower, PICSTART, PIC32 logo, Prochip Designer, QTouch, SAM-BA, SpyNIC, SST, SST Logo, SuperFlash, tinyAVR, UNI/O, and XMEGA are registered trademarks of Microchip Technology Incorporated in the U.S.A. and other countries.

ClockWorks, The Embedded Control Solutions Company, EtherSynch, Hyper Speed Control, HyperLight Load, IntellIMOS, mTouch, Precision Edge, and Quiet-Wire are registered trademarks of Microchip Technology Incorporated in the U.S.A.

Adjacent Key Suppression, AKS, Analog-for-the-Digital Age, Any Capacitor, AnyIn, AnyOut, BodyCom, CodeGuard, CryptoAuthentication, CryptoAutomotive, CryptoCompanion, CryptoController, dsPICDEM, dsPICDEM.net, Dynamic Average Matching, DAM, ECAN, EtherGREEN, In-Circuit Serial Programming, ICSP, INICnet, Inter-Chip Connectivity, JitterBlocker, KlearNet, KlearNet logo, memBrain, Mindi, MiWi, motorBench, MPASM, MPF, MPLAB Certified logo, MPLIB, MPLINK, MultiTRAK, NetDetach, Omniscient Code Generation, PICDEM, PICDEM.net, PICKit, PICtail, PowerSmart, PureSilicon, QMatrix, REAL ICE, Ripple Blocker, SAM-ICE, Serial Quad I/O, SMART-I.S., SQI, SuperSwitcher, SuperSwitcher II, Total Endurance, TSHARC, USBCheck, VariSense, ViewSpan, WiperLock, Wireless DNA, and ZENA are trademarks of Microchip Technology Incorporated in the U.S.A. and other countries.

SQTP is a service mark of Microchip Technology Incorporated in the U.S.A.

Silicon Storage Technology is a registered trademark of Microchip Technology Inc. in other countries.

GestIC is a registered trademark of Microchip Technology Germany II GmbH & Co. KG, a subsidiary of Microchip Technology Inc., in other countries.

All other trademarks mentioned herein are property of their respective companies.

© 2018, Microchip Technology Incorporated, All Rights Reserved.  
ISBN: 978-1-5224-3690-4



# MICROCHIP

## Worldwide Sales and Service

### AMERICAS

**Corporate Office**  
2355 West Chandler Blvd.  
Chandler, AZ 85224-6199  
Tel: 480-792-7200  
Fax: 480-792-7277  
Technical Support:  
<http://www.microchip.com/support>  
Web Address:  
[www.microchip.com](http://www.microchip.com)

#### Atlanta

Duluth, GA  
Tel: 678-957-9614  
Fax: 678-957-1455

#### Austin, TX

Tel: 512-257-3370

#### Boston

Westborough, MA  
Tel: 774-760-0087  
Fax: 774-760-0088

#### Chicago

Itasca, IL  
Tel: 630-285-0071  
Fax: 630-285-0075

#### Dallas

Addison, TX  
Tel: 972-818-7423  
Fax: 972-818-2924

#### Detroit

Novi, MI  
Tel: 248-848-4000

#### Houston, TX

Tel: 281-894-5983

#### Indianapolis

Noblesville, IN  
Tel: 317-773-8323  
Fax: 317-773-5453  
Tel: 317-536-2380

#### Los Angeles

Mission Viejo, CA  
Tel: 949-462-9523  
Fax: 949-462-9608  
Tel: 951-273-7800

#### Raleigh, NC

Tel: 919-844-7510

#### New York, NY

Tel: 631-435-6000

#### San Jose, CA

Tel: 408-735-9110  
Tel: 408-436-4270

#### Canada - Toronto

Tel: 905-695-1980  
Fax: 905-695-2078

### ASIA/PACIFIC

**Australia - Sydney**  
Tel: 61-2-9868-6733

**China - Beijing**  
Tel: 86-10-8569-7000

**China - Chengdu**  
Tel: 86-28-8665-5511

**China - Chongqing**  
Tel: 86-23-8980-9588

**China - Dongguan**  
Tel: 86-769-8702-9880

**China - Guangzhou**  
Tel: 86-20-8755-8029

**China - Hangzhou**  
Tel: 86-571-8792-8115

**China - Hong Kong SAR**  
Tel: 852-2943-5100

**China - Nanjing**  
Tel: 86-25-8473-2460

**China - Qingdao**  
Tel: 86-532-8502-7355

**China - Shanghai**  
Tel: 86-21-3326-8000

**China - Shenyang**  
Tel: 86-24-2334-2829

**China - Shenzhen**  
Tel: 86-755-8864-2200

**China - Suzhou**  
Tel: 86-186-6233-1526

**China - Wuhan**  
Tel: 86-27-5980-5300

**China - Xian**  
Tel: 86-29-8833-7252

**China - Xiamen**  
Tel: 86-592-2388138

**China - Zhuhai**  
Tel: 86-756-3210040

### ASIA/PACIFIC

**India - Bangalore**  
Tel: 91-80-3090-4444

**India - New Delhi**  
Tel: 91-11-4160-8631

**India - Pune**  
Tel: 91-20-4121-0141

**Japan - Osaka**  
Tel: 81-6-6152-7160

**Japan - Tokyo**  
Tel: 81-3-6880-3770

**Korea - Daegu**  
Tel: 82-53-744-4301

**Korea - Seoul**  
Tel: 82-2-554-7200

**Malaysia - Kuala Lumpur**  
Tel: 60-3-7651-7906

**Malaysia - Penang**  
Tel: 60-4-227-8870

**Philippines - Manila**  
Tel: 63-2-634-9065

**Singapore**  
Tel: 65-6334-8870

**Taiwan - Hsin Chu**  
Tel: 886-3-577-8366

**Taiwan - Kaohsiung**  
Tel: 886-7-213-7830

**Taiwan - Taipei**  
Tel: 886-2-2508-8600

**Thailand - Bangkok**  
Tel: 66-2-694-1351

**Vietnam - Ho Chi Minh**  
Tel: 84-28-5448-2100

### EUROPE

**Austria - Wels**  
Tel: 43-7242-2244-39  
Fax: 43-7242-2244-393

**Denmark - Copenhagen**  
Tel: 45-4450-2828  
Fax: 45-4485-2829

**Finland - Espoo**  
Tel: 358-9-4520-820

**France - Paris**  
Tel: 33-1-69-53-63-20  
Fax: 33-1-69-30-90-79

**Germany - Garching**  
Tel: 49-8931-9700

**Germany - Haan**  
Tel: 49-2129-3766400

**Germany - Heilbronn**  
Tel: 49-7131-67-3636

**Germany - Karlsruhe**  
Tel: 49-721-625370

**Germany - Munich**  
Tel: 49-89-627-144-0  
Fax: 49-89-627-144-44

**Germany - Rosenheim**  
Tel: 49-8031-354-560

**Israel - Ra'anana**  
Tel: 972-9-744-7705

**Italy - Milan**  
Tel: 39-0331-742611  
Fax: 39-0331-466781

**Italy - Padova**  
Tel: 39-049-7625286

**Netherlands - Drunen**  
Tel: 31-416-690399  
Fax: 31-416-690340

**Norway - Trondheim**  
Tel: 47-7288-4388

**Poland - Warsaw**  
Tel: 48-22-3325737

**Romania - Bucharest**  
Tel: 40-21-407-87-50

**Spain - Madrid**  
Tel: 34-91-708-08-90  
Fax: 34-91-708-08-91

**Sweden - Gothenberg**  
Tel: 46-31-704-60-40

**Sweden - Stockholm**  
Tel: 46-8-5090-4654

**UK - Wokingham**  
Tel: 44-118-921-5800  
Fax: 44-118-921-5820

## OUR CERTIFICATE

DiGi provide top-quality products and perfect service for customer worldwide through standardization, technological innovation and continuous improvement. DiGi through third-party certification, we stricly control the quality of products and services. Welcome your RFQ to

Email: [Info@DiGi-Electronics.com](mailto:Info@DiGi-Electronics.com)



Tel: +00 852-30501935

RFQ Email: [Info@DiGi-Electronics.com](mailto:Info@DiGi-Electronics.com)

DiGi is a global authorized distributor of electronic components.