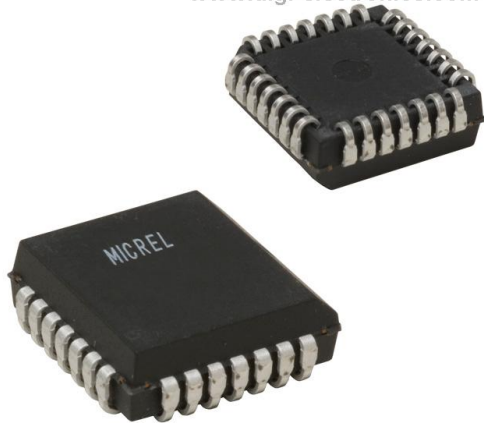


# MIC58P01YV Datasheet

[www.digi-electronics.com](http://www.digi-electronics.com)



<https://www.DiGi-Electronics.com>

DiGi Electronics Part Number	MIC58P01YV-DG
Manufacturer	<a href="#">Microchip Technology</a>
Manufacturer Product Number	MIC58P01YV
Description	IC PWR DRIVER BIPOLAR 1:1 28PLCC
Detailed Description	Power Switch/Driver 1:1 Bipolar 500mA 28-PLCC (1.48x11.48)



Tel: +00 852-30501935

RFQ Email: [Info@DiGi-Electronics.com](mailto:Info@DiGi-Electronics.com)

DiGi is a global authorized distributor of electronic components.

## Purchase and inquiry

Manufacturer Product Number:

MIC58P01YV

Series:

-

Switch Type:

Latched Driver

Ratio - Input:Output:

1:1

Output Type:

Bipolar

Voltage - Load:

15V (Max)

Current - Output (Max):

500mA

Input Type:

-

Fault Protection:

Over Temperature, UVLO

Mounting Type:

Surface Mount

Package / Case:

28-LCC (J-Lead)

Manufacturer:

Microchip Technology

Product Status:

Active

Number of Outputs:

8

Output Configuration:

Low Side

Interface:

Strobe, Parallel

Voltage - Supply (Vcc/Vdd):

-

Rds On (Typ):

-

Features:

-

Operating Temperature:

-55°C ~ 125°C (TA)

Supplier Device Package:

28-PLCC (11.48x11.48)

Base Product Number:

MIC58P01

## Environmental & Export classification

RoHS Status:

ROHS3 Compliant

REACH Status:

REACH Unaffected

HTSUS:

8542.39.0001

Moisture Sensitivity Level (MSL):

2 (1 Year)

ECCN:

EAR99





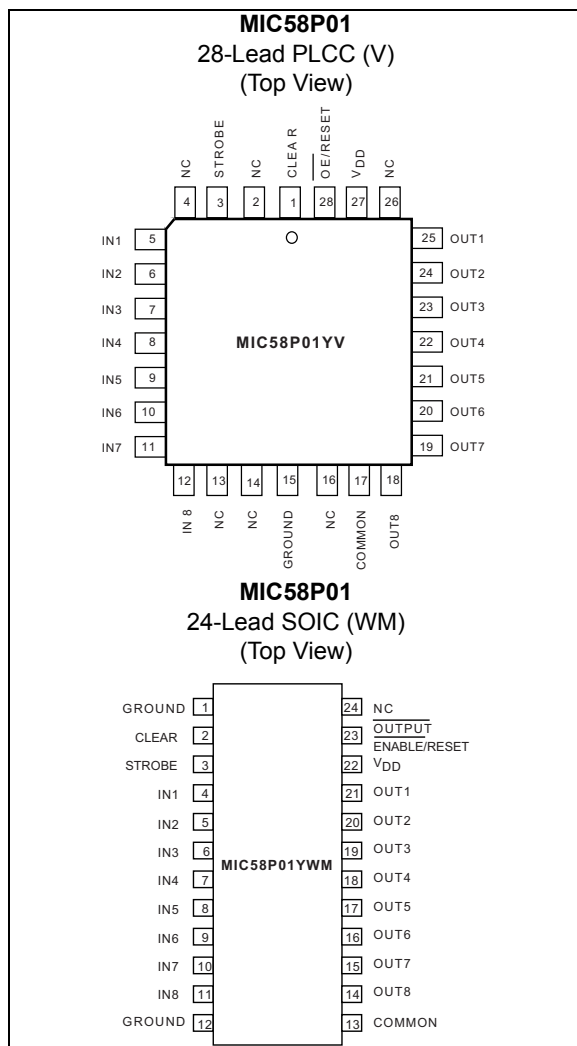
# MIC58P01

## 8-Bit Parallel-Input Protected Latched Driver

### Features

- 4.4 MHz Minimum Data Input Rate
- High-Voltage, High-Current Outputs
- Per-Output Overcurrent Shutdown (500 mA Typical)
- Undervoltage Lockout
- Thermal Shutdown
- Output Transient Protection Diodes
- CMOS, PMOS, NMOS, and TTL Compatible Inputs
- Internal Pull-Down Resistors
- Low-Power CMOS Latches

### Package Types



### General Description

The MIC58P01 parallel-input latched driver is a high-voltage (80V), high-current (500 mA) integrated circuit comprised of eight CMOS data latches, a bipolar Darlington transistor driver for each latch, and CMOS control circuitry for the common CLEAR, STROBE, and OUTPUT ENABLE functions. Similar to the MIC5801, additional protection circuitry supplied on this device includes thermal shutdown, undervoltage lockout (UVLO), and overcurrent shutdown.

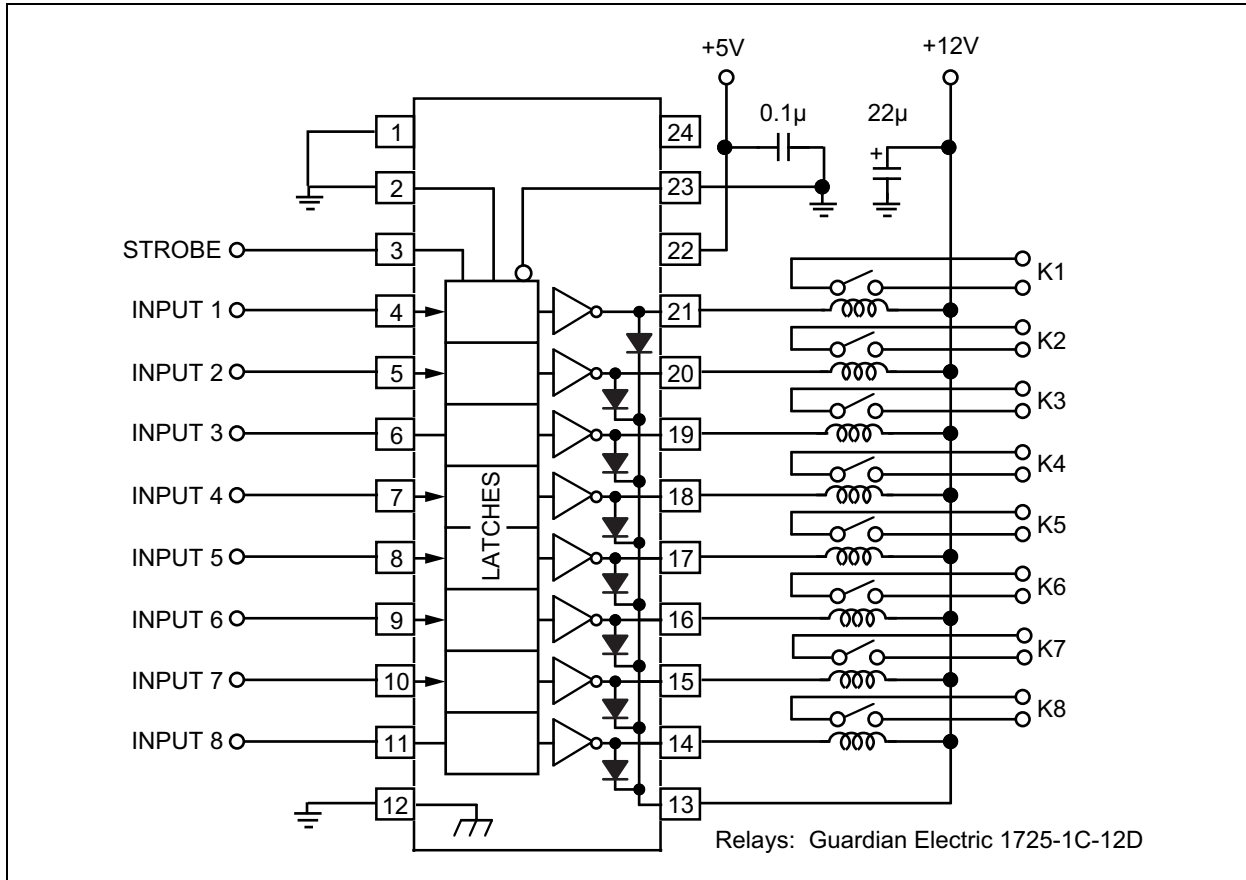
The bipolar/CMOS combination provides an extremely low-power latch with maximum interface flexibility. The MIC58P01 has open-collector outputs capable of sinking 500 mA and integral diodes for inductive load transient suppression with a minimum output breakdown voltage rating of 80V (50V sustaining). The drivers may be connected in parallel for higher load current capability.

With a 5V logic supply, the MIC58P01 will typically operate at better than 5 MHz. With a 12V logic supply, significantly higher speeds are obtained. The CMOS inputs are compatible with standard CMOS, PMOS, and NMOS circuits. TTL circuits may require pull-up resistors.

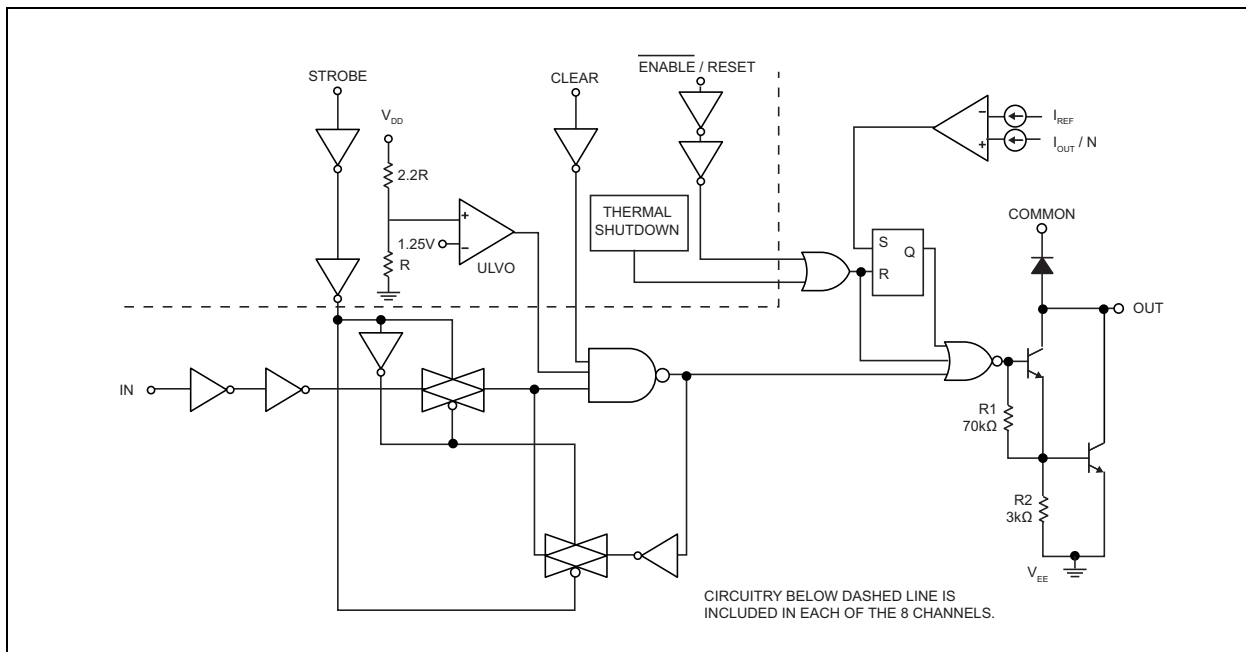
Each of these eight outputs has an independent overcurrent shutdown of 500 mA. Upon current shutdown, the affected channel will turn off until  $V_{DD}$  is cycled or the ENABLE/RESET pin is pulsed high. Current pulses less than 2  $\mu$ s will not activate current shutdown. Temperatures above 165°C will shut down all outputs. The UVLO circuit disables the outputs at low  $V_{DD}$ ; hysteresis of 0.5V is provided.

# MIC58P01

## Typical Application Circuit



## Functional Block Diagram



**1.0 ELECTRICAL CHARACTERISTICS****Absolute Maximum Ratings †**

Output Voltage ( $V_{CE}$ ) .....	+80V
Logic Supply Voltage ( $V_{DD}$ ).....	+15V
Input Voltage Range ( $V_{IN}$ ).....	-0.3V to $V_{DD} + 0.3V$
Maximum Operating Ambient Temperature ( $T_{A(MAX)}$ ).....	+85°C
Minimum Operating Ambient Temperature ( $T_{A(MIN)}$ ).....	-55°C
ESD Rating ( <a href="#">Note 1</a> ) .....	ESD Sensitive

**Operating Ratings ††**

Package Power Dissipation ( $P_D$ )	
MIC58P01YV .....	1.6W
Derate above $T_A = +25^\circ\text{C}$ .....	16 mW/°C
MIC58P01YWM .....	1.4W
Derate above $T_A = +25^\circ\text{C}$ .....	14 mW/°C

† **Notice:** Exceeding the absolute maximum ratings may damage the device.

†† **Notice:** The device is not guaranteed to function outside its operating ratings.

**Note 1:** Microchip CMOS devices have input-static protection, but are susceptible to damage when exposed to extremely high static electrical charges.

**ELECTRICAL CHARACTERISTICS**

Electrical Characteristics: $V_{DD} = 5V$ , $T_A = +25^\circ\text{C}$ , unless otherwise noted. <a href="#">Note 1</a>						
Parameter	Sym.	Min.	Typ.	Max.	Units	Conditions
Output Leakage Current	$I_{CEX}$	—	—	50	$\mu\text{A}$	$V_{CE} = 80V$ , $T_A = +25^\circ\text{C}$
		—	—	100		$V_{CE} = 80V$ , $T_A = +70^\circ\text{C}$
Collector-Emitter Saturation Voltage	$V_{CE(SAT)}$	—	0.9	1.1	V	$I_C = 100\text{ mA}$
		—	1.1	1.3		$I_C = 200\text{ mA}$
		—	1.3	1.6		$I_C = 350\text{ mA}$
Input Voltage (Low)	$V_{IN(0)}$	—	—	1.0	V	—
Input Voltage (High)	$V_{IN(1)}$	10.5	—	—	V	$V_{DD} = 12V$
		8.5	—	—		$V_{DD} = 10V$
		3.5	—	—		$V_{DD} = 5V$ , <a href="#">Note 2</a>
Input Resistance	$R_{IN}$	50	200	—	k $\Omega$	$V_{DD} = 12V$
		50	300	—		$V_{DD} = 10V$
		50	600	—		$V_{DD} = 5V$

**Note 1:** Specification for packaged product only.

**2:** Operation of these devices with standard TTL or DTL may require the use of appropriate pull-up resistors to ensure a minimum logic "1".

**3:** Undervoltage Lockout is guaranteed to release device at no more than 4.5V, and disable the device at no less than 3.0V.

# MIC58P01

## ELECTRICAL CHARACTERISTICS (CONTINUED)

Electrical Characteristics: $V_{DD} = 5V$ , $T_A = +25^\circ C$ , unless otherwise noted. <a href="#">Note 1</a>						
Parameter	Sym.	Min.	Typ.	Max.	Units	Conditions
Supply Current	$I_{DD(1ON)}$	—	3.3	4.5	mA	One Driver ON, $V_{DD} = 12V$ , Outputs Open
		—	3.1	4.5		One Driver ON, $V_{DD} = 10V$ , Outputs Open
		—	2.4	3.6		One Driver ON, $V_{DD} = 5V$ , Outputs Open
	$I_{DD(ON)}$	—	6.4	10.0	mA	All Drivers ON, $V_{DD} = 12V$ , Outputs Open
		—	6.0	9.0		All Drivers ON, $V_{DD} = 10V$ , Outputs Open
		—	4.7	7.5		All Drivers ON, $V_{DD} = 5V$ , Outputs Open
	$I_{DD(OFF)}$	—	3.0	4.5	mA	All Drivers OFF, $V_{DD} = 12V$ , Outputs Open, Inputs = 0V
		—	2.2	3.6		All Drivers OFF, $V_{DD} = 5V$ , Outputs Open, Inputs = 0V
	Clamp Diode Leakage Current	$I_R$	—	—	50	$\mu A$
—			—	100	$V_R = 80V$ , $T_A = +70^\circ C$	
Overcurrent Threshold	$I_{LIM}$	—	500	—	mA	Per Output
Start-Up Voltage	$V_{SU}$	3.5	4.0	4.5	V	<a href="#">Note 3</a>
Minimum Operating $V_{DD}$	$V_{DD(MIN)}$	3.0	3.5	4.0	V	—
Clamp Diode Forward Voltage	$V_F$	—	1.7	2.0	V	$I_F = 350\text{ mA}$
Thermal Shutdown	—	—	165	—	$^\circ C$	—
Thermal Shutdown Hysteresis	—	—	10	—	$^\circ C$	—

**Note 1:** Specification for packaged product only.

**2:** Operation of these devices with standard TTL or DTL may require the use of appropriate pull-up resistors to ensure a minimum logic “1”.

**3:** Undervoltage Lockout is guaranteed to release device at no more than 4.5V, and disable the device at no less than 3.0V.

## TRUTH TABLE

$IN_N$	Strobe	Clear	Output Enable	$OUT_N$	
				t – 1	t
0	1	0	0	X	OFF
1	1	0	0	X	ON
X	X	1	X	X	OFF
X	X	X	1	X	OFF
X	0	0	0	ON	ON
X	0	0	0	OFF	OFF

**Legend:** X = Irrelevant; t – 1 = Previous output state; t = Present output state.

Information present at an input is transferred to its latch when the STROBE is high. A high CLEAR input will set all latches to the output OFF condition regardless of the Data or STROBE input levels. A high OUTPUT ENABLE will set all outputs to the OFF condition, regardless of any other input conditions. When the OUTPUT ENABLE is low, the outputs depend on the state of their respective latches. If current shutdown is activated, the OUTPUT ENABLE must be pulsed high to restore operation. Overtemperature faults are not latched and require no reset pulse.

**TEMPERATURE SPECIFICATIONS**

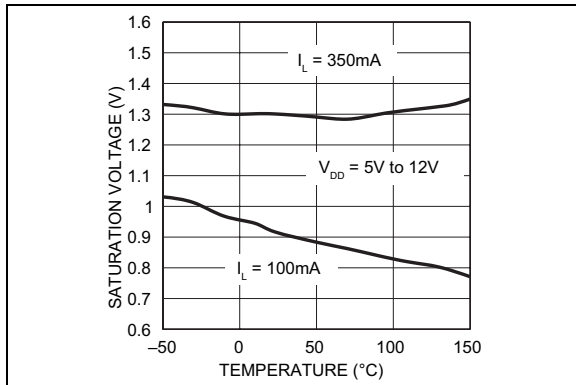
Parameters	Sym.	Min.	Typ.	Max.	Units	Conditions
<b>Temperature Ranges</b>						
Maximum Operating Temperature Range	$T_A$	-55	—	+85	°C	—
Storage Temperature Range	$T_S$	-65	—	+125	°C	—
Operating Temperature Range	$T_A$	-40	—	+85	°C	—

**Note 1:** The maximum allowable power dissipation is a function of ambient temperature, the maximum allowable junction temperature and the thermal resistance from junction to air (i.e.,  $T_A$ ,  $T_J$ ,  $\theta_{JA}$ ). Exceeding the maximum allowable power dissipation will cause the device operating junction temperature to exceed the maximum +125°C rating. Sustained junction temperatures above +125°C can impact the device reliability.

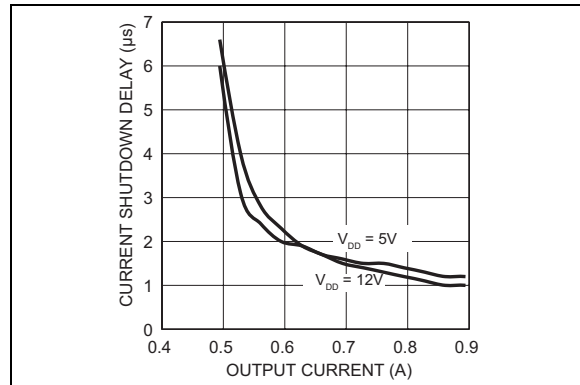
# MIC58P01

## 2.0 TYPICAL PERFORMANCE CURVES

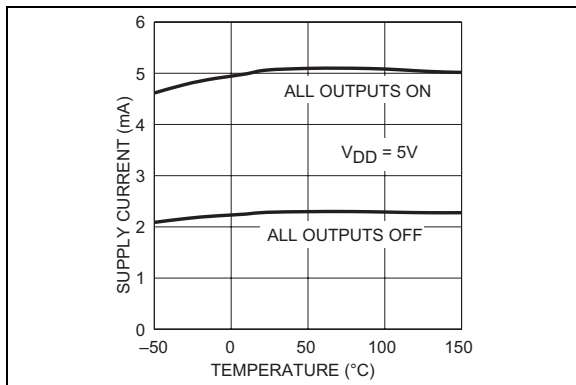
**Note:** The graphs and tables provided following this note are a statistical summary based on a limited number of samples and are provided for informational purposes only. The performance characteristics listed herein are not tested or guaranteed. In some graphs or tables, the data presented may be outside the specified operating range (e.g., outside specified power supply range) and therefore outside the warranted range.



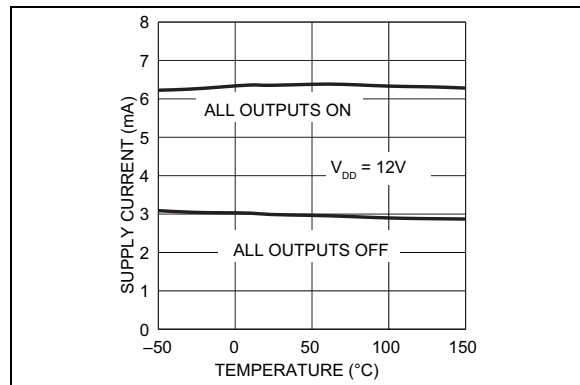
**FIGURE 2-1:** Output Saturation Voltage vs. Temperature.



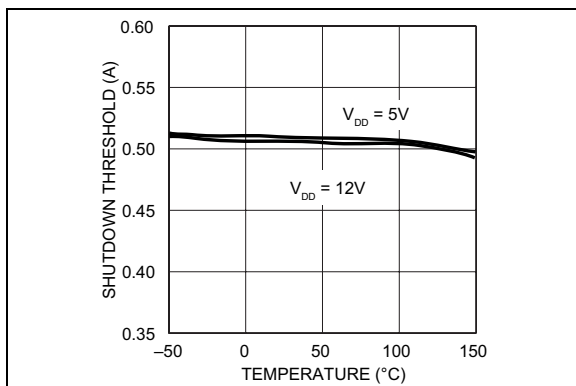
**FIGURE 2-4:** Current Shutdown Delay vs. Output Current.



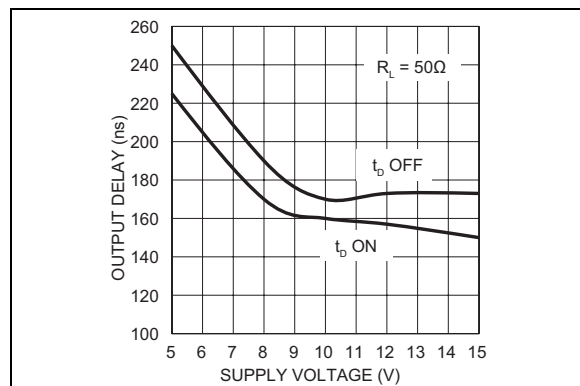
**FIGURE 2-2:** Supply Current vs. Temperature.



**FIGURE 2-5:** Supply Current vs. Temperature.



**FIGURE 2-3:** Current Shutdown Threshold vs. Temperature.



**FIGURE 2-6:** Output Delay vs. Supply Voltage.

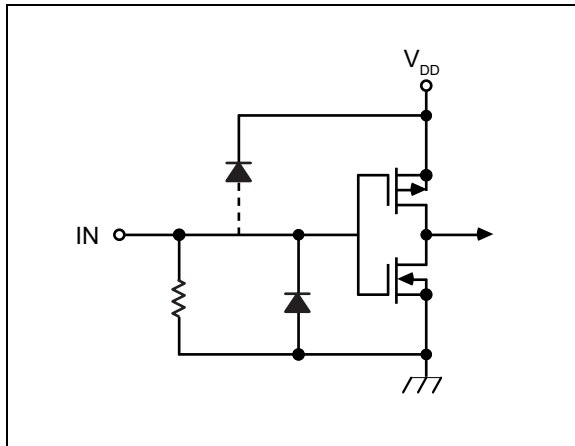


### 3.0 PIN DESCRIPTIONS

The descriptions of the pins are listed in [Table 3-1](#).

**TABLE 3-1: PIN FUNCTION TABLE**

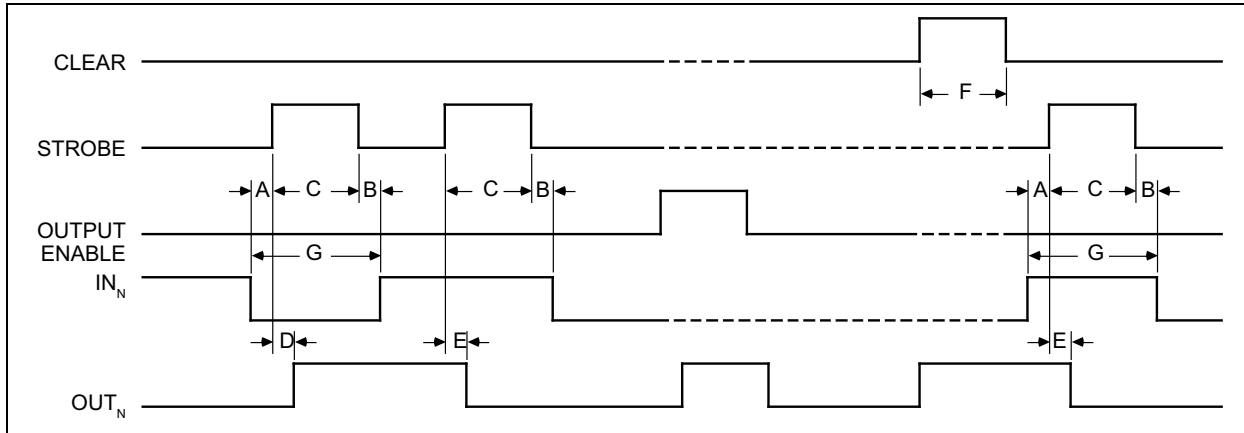
Pin Number PLCC	Pin Number SOIC	Pin Name	Description
1	2	CLEAR	Resets all Latches and turns all outputs OFF (open).
3	3	STROBE	Input Strobe Pin. Loads output latches when High.
5, 6, 7, 8, 9, 10, 11, 12	4, 5, 6, 7, 8, 9, 10, 11	IN <sub>N</sub>	Parallel Inputs, 1 through 8.
15	1, 12	GROUND	Logic and Output Ground pin.
17	13	COMMON	Transient suppression diode common cathode pin.
18, 19, 20, 21, 22, 23, 24, 25	14, 15, 16, 17, 18, 19, 20, 21	OUT <sub>N</sub>	Parallel Outputs, 8 through 1.
27	22	V <sub>DD</sub>	Logic Supply voltage.
28	23	OUTPUT ENABLE/ RESET	When Low, Outputs are active. When High, outputs are inactive and device is reset from a fault condition. An undervoltage condition emulates a high $\overline{OE}$ output.
2, 4, 13, 14, 16, 26	24	NC	No connect.



**FIGURE 3-1:** Typical Input.

# MIC58P01

## 4.0 TIMING



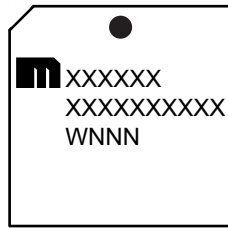
**FIGURE 4-1:** Timing Diagram.

**TABLE 4-1: TIMING CONDITIONS**

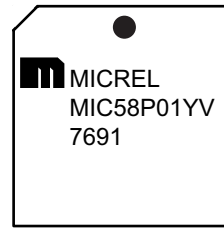
<b>Characteristics:</b> $T_A = +25^\circ\text{C}$ ; Logic levels are $V_{DD}$ and Ground; $V_{DD} = 5\text{V}$ .			
<b>Condition</b>	<b>Min.</b>	<b>Typ.</b>	<b>Max.</b>
Minimum data active time before strobe enabled (data set-up time)	50 ns	—	—
Minimum data active time after strobe disabled (data hold time)	50 ns	—	—
Minimum strobe pulse width	125 ns	—	—
Typical time between strobe activation and output on to off transition	—	500 ns	—
Typical time between strobe activation and output off to on transition	—	500 ns	—
Minimum clear pulse width	300 ns	—	—
Minimum data pulse width	225 ns	—	—

**5.0 PACKAGING INFORMATION****5.1 Package Marking Information**

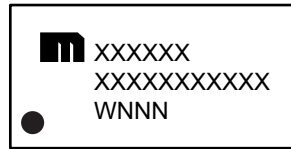
28-Lead PLCC\*



Example



24-Lead SOICW\*



Example



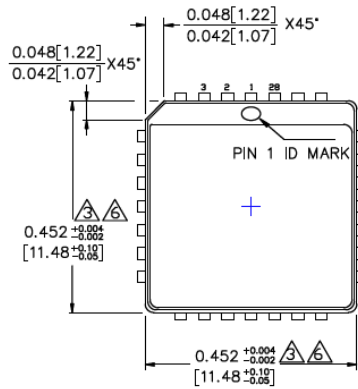
<b>Legend:</b>	XX...X	Product code or customer-specific information
	Y	Year code (last digit of calendar year)
	YY	Year code (last 2 digits of calendar year)
	WW	Week code (week of January 1 is week '01')
	NNN	Alphanumeric traceability code
	(e3)	Pb-free JEDEC® designator for Matte Tin (Sn)
	*	This package is Pb-free. The Pb-free JEDEC designator ((e3)) can be found on the outer packaging for this package.
	•, ▲, ▼	Pin one index is identified by a dot, delta up, or delta down (triangle mark).
<b>Note:</b>	In the event the full Microchip part number cannot be marked on one line, it will be carried over to the next line, thus limiting the number of available characters for customer-specific information. Package may or may not include the corporate logo.	
	Underbar ( _ ) and/or Overbar ( ¯ ) symbol may not be to scale.	

# MIC58P01

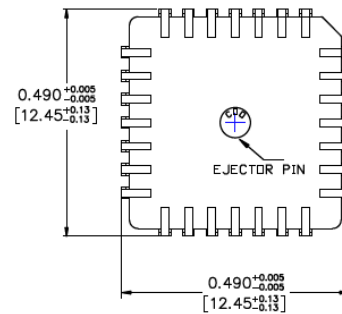
**TITLE**

28 LEAD PLCC PACKAGE OUTLINE &amp; RECOMMENDED LAND PATTERN

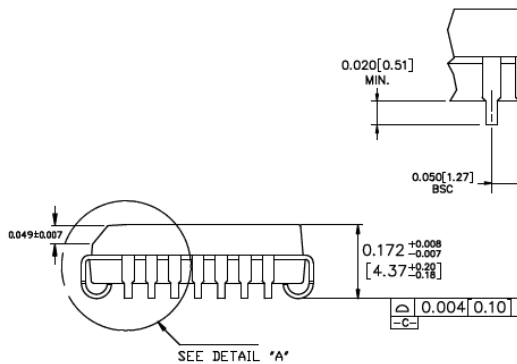
DRAWING #	PLCC-28LD-PL-1	UNIT	INCH [MM]
-----------	----------------	------	-----------



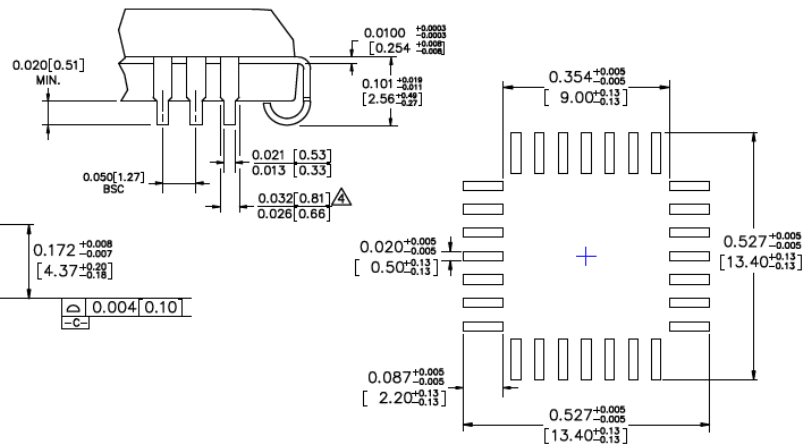
TOP VIEW



BOTTOM VIEW



SIDE VIEW



RECOMMENDED LAND PATTERN

**NOTES:**

1. DIMENSIONS ARE IN INCHES [MM].
2. CONTROLLING DIMENSION: INCHES.
3. DIMENSION DOES NOT INCLUDE MOLD FLASH OR PROTRUSIONS, EITHER OF WHICH SHALL NOT EXCEED 0.008 [0.203].
4. LEAD DIMENSION DOES NOT INCLUDE DAMBAR PROTRUSION.
5. MAXIMUM AND MINIMUM SPECIFICATIONS ARE INDICATED AS FOLLOWS : MAX/MIN
6. PACKAGE TOP DIMENSION MAY BE SLIGHTLY SMALLER THAN BOTTOM DIMENSION.

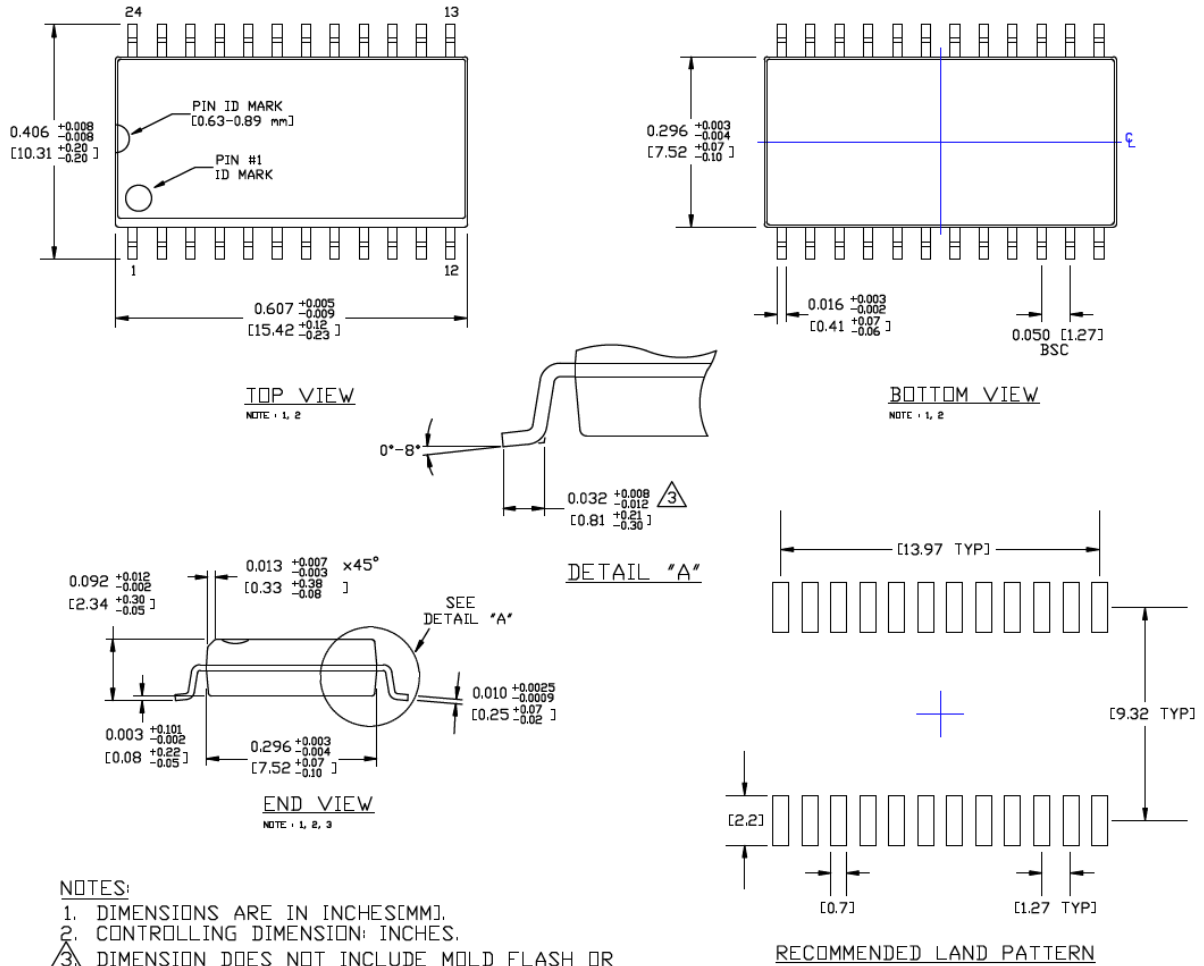
Note: For the most current package drawings, please see the Microchip Packaging Specification located at <http://www.microchip.com/packaging>.

# MIC58P01

**TITLE**

24 LEAD SOICW PACKAGE OUTLINE & RECOMMENDED LAND PATTERN

<b>DRAWING #</b>	SOICW-24LD-PL-1	<b>UNIT</b>	INCH [MM]
------------------	-----------------	-------------	-----------



- NOTES:**
1. DIMENSIONS ARE IN INCHES[MM].
  2. CONTROLLING DIMENSION: INCHES.
  3. DIMENSION DOES NOT INCLUDE MOLD FLASH OR PROTRUSIONS, EITHER OF WHICH SHALL NOT EXCEED 0.006[0.15] PER SIDE.

Note: For the most current package drawings, please see the Microchip Packaging Specification located at <http://www.microchip.com/packaging>.



# MIC58P01

---

NOTES:

## APPENDIX A: REVISION HISTORY

### Revision A (February 2019)

- Converted Micrel document MIC58P01 to Microchip data sheet template DS20006159A.
- Minor grammatical text changes throughout.

# MIC58P01

---

NOTES:

**PRODUCT IDENTIFICATION SYSTEM**

To order or obtain information, e.g., on pricing or delivery, contact your local Microchip representative or sales office.

Device	<u>X</u>	<u>XX</u>	<u>-XX</u>	
Part No.	Junction Temp. Range	Package	Media Type	
<b>Device:</b>	MIC58P01:	8-Bit Parallel Input Protected Latched Driver		
<b>Junction Temperature Range:</b>	Y =	-40°C to +85°C, Industrial		
<b>Package:</b>	V =	28-Lead PLCC		
	WM =	24-Lead Wide SOIC		
<b>Media Type:</b>	<blank>=	38/Tube (PLCC Package)		
	<blank>=	31/Tube (SOIC Package)		
	TR =	750/Reel (PLCC Package)		
	TR =	1,000/Reel (SOIC Package)		
				<b>Examples:</b>
				a) MIC58P01YV: MIC58P01, -40°C to +85°C Temperature Range, 28-Lead PLCC, 38/Tube
				b) MIC58P01YV-TR: MIC58P01, -40°C to +85°C Temperature Range, 28-Lead PLCC, 750/Reel
				c) MIC58P01YWM: MIC58P01, -40°C to +85°C Temperature Range, 24-Lead Wide SOIC, 31/Tube
				d) MIC58P01YWM-TR: MIC58P01, -40°C to +85°C Temperature Range, 24-Lead Wide SOIC, 1,000/Reel
				<b>Note 1:</b> Tape and Reel identifier only appears in the catalog part number description. This identifier is used for ordering purposes and is not printed on the device package. Check with your Microchip Sales Office for package availability with the Tape and Reel option.

# MIC58P01

---

NOTES:



**Note the following details of the code protection feature on Microchip devices:**

- Microchip products meet the specification contained in their particular Microchip Data Sheet.
- Microchip believes that its family of products is one of the most secure families of its kind on the market today, when used in the intended manner and under normal conditions.
- There are dishonest and possibly illegal methods used to breach the code protection feature. All of these methods, to our knowledge, require using the Microchip products in a manner outside the operating specifications contained in Microchip's Data Sheets. Most likely, the person doing so is engaged in theft of intellectual property.
- Microchip is willing to work with the customer who is concerned about the integrity of their code.
- Neither Microchip nor any other semiconductor manufacturer can guarantee the security of their code. Code protection does not mean that we are guaranteeing the product as “unbreakable.”

Code protection is constantly evolving. We at Microchip are committed to continuously improving the code protection features of our products. Attempts to break Microchip's code protection feature may be a violation of the Digital Millennium Copyright Act. If such acts allow unauthorized access to your software or other copyrighted work, you may have a right to sue for relief under that Act.

Information contained in this publication regarding device applications and the like is provided only for your convenience and may be superseded by updates. It is your responsibility to ensure that your application meets with your specifications. MICROCHIP MAKES NO REPRESENTATIONS OR WARRANTIES OF ANY KIND WHETHER EXPRESS OR IMPLIED, WRITTEN OR ORAL, STATUTORY OR OTHERWISE, RELATED TO THE INFORMATION, INCLUDING BUT NOT LIMITED TO ITS CONDITION, QUALITY, PERFORMANCE, MERCHANTABILITY OR FITNESS FOR PURPOSE. Microchip disclaims all liability arising from this information and its use. Use of Microchip devices in life support and/or safety applications is entirely at the buyer's risk, and the buyer agrees to defend, indemnify and hold harmless Microchip from any and all damages, claims, suits, or expenses resulting from such use. No licenses are conveyed, implicitly or otherwise, under any Microchip intellectual property rights unless otherwise stated.

*Microchip received ISO/TS-16949:2009 certification for its worldwide headquarters, design and wafer fabrication facilities in Chandler and Tempe, Arizona; Gresham, Oregon and design centers in California and India. The Company's quality system processes and procedures are for its PIC® MCUs and dsPIC® DSCs, KEELOQ® code hopping devices, Serial EEPROMs, microperipherals, nonvolatile memory and analog products. In addition, Microchip's quality system for the design and manufacture of development systems is ISO 9001:2000 certified.*

**QUALITY MANAGEMENT SYSTEM  
CERTIFIED BY DNV  
= ISO/TS 16949 =**

**Trademarks**

The Microchip name and logo, the Microchip logo, AnyRate, AVR, AVR logo, AVR Freaks, BitCloud, chipKIT, chipKIT logo, CryptoMemory, CryptoRF, dsPIC, FlashFlex, flexPWR, Heldo, JukeBlox, KeeLoq, Klear, LANCheck, LINK MD, maXStylus, maXTouch, MediaLB, megaAVR, MOST, MOST logo, MPLAB, OptoLyzer, PIC, picoPower, PICSTART, PIC32 logo, Prochip Designer, QTouch, SAM-BA, SpyNIC, SST, SST Logo, SuperFlash, tinyAVR, UNI/O, and XMEGA are registered trademarks of Microchip Technology Incorporated in the U.S.A. and other countries.

ClockWorks, The Embedded Control Solutions Company, EtherSynch, Hyper Speed Control, HyperLight Load, IntellIMOS, mTouch, Precision Edge, and Quiet-Wire are registered trademarks of Microchip Technology Incorporated in the U.S.A.

Adjacent Key Suppression, AKS, Analog-for-the-Digital Age, Any Capacitor, AnyIn, AnyOut, BodyCom, CodeGuard, CryptoAuthentication, CryptoAutomotive, CryptoCompanion, CryptoController, dsPICDEM, dsPICDEM.net, Dynamic Average Matching, DAM, ECAN, EtherGREEN, In-Circuit Serial Programming, ICSP, INICnet, Inter-Chip Connectivity, JitterBlocker, KlearNet, KlearNet logo, memBrain, Mindi, MiWi, motorBench, MPASM, MPF, MPLAB Certified logo, MPLIB, MPLINK, MultiTRAK, NetDetach, Omniscient Code Generation, PICDEM, PICDEM.net, PICKit, PICtail, PowerSmart, PureSilicon, QMatrix, REAL ICE, Ripple Blocker, SAM-ICE, Serial Quad I/O, SMART-I.S., SQI, SuperSwitcher, SuperSwitcher II, Total Endurance, TSHARC, USBCheck, VariSense, ViewSpan, WiperLock, Wireless DNA, and ZENA are trademarks of Microchip Technology Incorporated in the U.S.A. and other countries.

SQTP is a service mark of Microchip Technology Incorporated in the U.S.A.

Silicon Storage Technology is a registered trademark of Microchip Technology Inc. in other countries.

GestIC is a registered trademark of Microchip Technology Germany II GmbH & Co. KG, a subsidiary of Microchip Technology Inc., in other countries.

All other trademarks mentioned herein are property of their respective companies.

© 2019, Microchip Technology Incorporated, All Rights Reserved.  
ISBN: 978-1-5224-4211-0



# MICROCHIP

## Worldwide Sales and Service

### AMERICAS

**Corporate Office**  
2355 West Chandler Blvd.  
Chandler, AZ 85224-6199  
Tel: 480-792-7200  
Fax: 480-792-7277  
Technical Support:  
<http://www.microchip.com/support>  
Web Address:  
[www.microchip.com](http://www.microchip.com)

#### Atlanta

Duluth, GA  
Tel: 678-957-9614  
Fax: 678-957-1455

#### Austin, TX

Tel: 512-257-3370

#### Boston

Westborough, MA  
Tel: 774-760-0087  
Fax: 774-760-0088

#### Chicago

Itasca, IL  
Tel: 630-285-0071  
Fax: 630-285-0075

#### Dallas

Addison, TX  
Tel: 972-818-7423  
Fax: 972-818-2924

#### Detroit

Novi, MI  
Tel: 248-848-4000

#### Houston, TX

Tel: 281-894-5983

#### Indianapolis

Noblesville, IN  
Tel: 317-773-8323  
Fax: 317-773-5453  
Tel: 317-536-2380

#### Los Angeles

Mission Viejo, CA  
Tel: 949-462-9523  
Fax: 949-462-9608  
Tel: 951-273-7800

#### Raleigh, NC

Tel: 919-844-7510

#### New York, NY

Tel: 631-435-6000

#### San Jose, CA

Tel: 408-735-9110  
Tel: 408-436-4270

#### Canada - Toronto

Tel: 905-695-1980  
Fax: 905-695-2078

### ASIA/PACIFIC

#### Australia - Sydney

Tel: 61-2-9868-6733

#### China - Beijing

Tel: 86-10-8569-7000

#### China - Chengdu

Tel: 86-28-8665-5511

#### China - Chongqing

Tel: 86-23-8980-9588

#### China - Dongguan

Tel: 86-769-8702-9880

#### China - Guangzhou

Tel: 86-20-8755-8029

#### China - Hangzhou

Tel: 86-571-8792-8115

#### China - Hong Kong SAR

Tel: 852-2943-5100

#### China - Nanjing

Tel: 86-25-8473-2460

#### China - Qingdao

Tel: 86-532-8502-7355

#### China - Shanghai

Tel: 86-21-3326-8000

#### China - Shenyang

Tel: 86-24-2334-2829

#### China - Shenzhen

Tel: 86-755-8864-2200

#### China - Suzhou

Tel: 86-186-6233-1526

#### China - Wuhan

Tel: 86-27-5980-5300

#### China - Xian

Tel: 86-29-8833-7252

#### China - Xiamen

Tel: 86-592-2388138

#### China - Zhuhai

Tel: 86-756-3210040

### ASIA/PACIFIC

#### India - Bangalore

Tel: 91-80-3090-4444

#### India - New Delhi

Tel: 91-11-4160-8631

#### India - Pune

Tel: 91-20-4121-0141

#### Japan - Osaka

Tel: 81-6-6152-7160

#### Japan - Tokyo

Tel: 81-3-6880-3770

#### Korea - Daegu

Tel: 82-53-744-4301

#### Korea - Seoul

Tel: 82-2-554-7200

#### Malaysia - Kuala Lumpur

Tel: 60-3-7651-7906

#### Malaysia - Penang

Tel: 60-4-227-8870

#### Philippines - Manila

Tel: 63-2-634-9065

#### Singapore

Tel: 65-6334-8870

#### Taiwan - Hsin Chu

Tel: 886-3-577-8366

#### Taiwan - Kaohsiung

Tel: 886-7-213-7830

#### Taiwan - Taipei

Tel: 886-2-2508-8600

#### Thailand - Bangkok

Tel: 66-2-694-1351

#### Vietnam - Ho Chi Minh

Tel: 84-28-5448-2100

### EUROPE

#### Austria - Wels

Tel: 43-7242-2244-39  
Fax: 43-7242-2244-393

#### Denmark - Copenhagen

Tel: 45-4450-2828  
Fax: 45-4485-2829

#### Finland - Espoo

Tel: 358-9-4520-820

#### France - Paris

Tel: 33-1-69-53-63-20  
Fax: 33-1-69-30-90-79

#### Germany - Garching

Tel: 49-8931-9700

#### Germany - Haan

Tel: 49-2129-3766400

#### Germany - Heilbronn

Tel: 49-7131-67-3636

#### Germany - Karlsruhe

Tel: 49-721-625370

#### Germany - Munich

Tel: 49-89-627-144-0  
Fax: 49-89-627-144-44

#### Germany - Rosenheim

Tel: 49-8031-354-560

#### Israel - Ra'anana

Tel: 972-9-744-7705

#### Italy - Milan

Tel: 39-0331-742611  
Fax: 39-0331-466781

#### Italy - Padova

Tel: 39-049-7625286

#### Netherlands - Drunen

Tel: 31-416-690399  
Fax: 31-416-690340

#### Norway - Trondheim

Tel: 47-7288-4388

#### Poland - Warsaw

Tel: 48-22-3325737

#### Romania - Bucharest

Tel: 40-21-407-87-50

#### Spain - Madrid

Tel: 34-91-708-08-90  
Fax: 34-91-708-08-91

#### Sweden - Gothenberg

Tel: 46-31-704-60-40

#### Sweden - Stockholm

Tel: 46-8-5090-4654

#### UK - Wokingham

Tel: 44-118-921-5800  
Fax: 44-118-921-5820



## OUR CERTIFICATE

DiGi provide top-quality products and perfect service for customer worldwide through standardization, technological innovation and continuous improvement. DiGi through third-party certification, we strictly control the quality of products and services. Welcome your RFQ to

Email: [Info@DiGi-Electronics.com](mailto:Info@DiGi-Electronics.com)



Tel: +00 852-30501935

RFQ Email: [Info@DiGi-Electronics.com](mailto:Info@DiGi-Electronics.com)

DiGi is a global authorized distributor of electronic components.