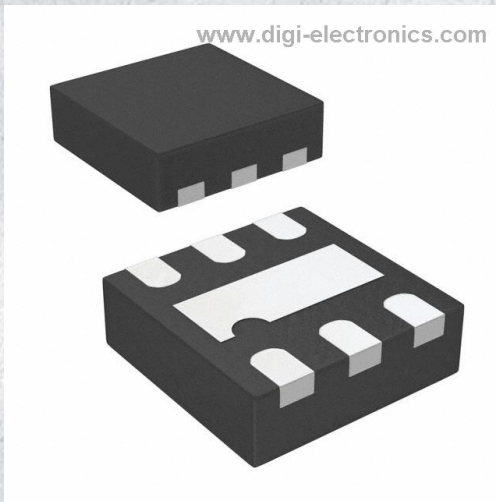


PL135-27GI-R Datasheet



<https://www.DiGi-Electronics.com>

DiGi Electronics Part Number	PL135-27GI-R-DG
Manufacturer	Microchip Technology
Manufacturer Product Number	PL135-27GI-R
Description	IC CLK BUFFER 1:2 40MHZ 6DFN
Detailed Description	Clock Fanout Buffer (Distribution) IC 1:2 40 MHz 6-U FDFN Exposed Pad



Tel: +00 852-30501935

RFQ Email: Info@DiGi-Electronics.com

DiGi is a global authorized distributor of electronic components.

Purchase and inquiry

Manufacturer Product Number:

PL135-27GI-R

Series:

-

Type:

Fanout Buffer (Distribution)

Ratio - Input:Output:

1:2

Input:

Crystal

Frequency - Max:

40 MHz

Operating Temperature:

-40°C ~ 85°C

Package / Case:

6-UFDN Exposed Pad

Base Product Number:

PL135

Manufacturer:

Microchip Technology

Product Status:

Active

Number of Circuits:

1

Differential - Input:Output:

No/No

Output:

LVC MOS

Voltage - Supply:

1.62V ~ 3.63V

Mounting Type:

Surface Mount

Supplier Device Package:

6-DFN (2x1.3)

Environmental & Export classification

RoHS Status:

ROHS3 Compliant

REACH Status:

REACH Unaffected

HTSUS:

8542.39.0001

Moisture Sensitivity Level (MSL):

3 (168 Hours)

ECCN:

EAR99



PL135-27

Low Power, 1.62V to 3.63V, 10MHz to 40MHz, 1:2 Oscillator Fanout Buffer

Revision 2.0

General Description

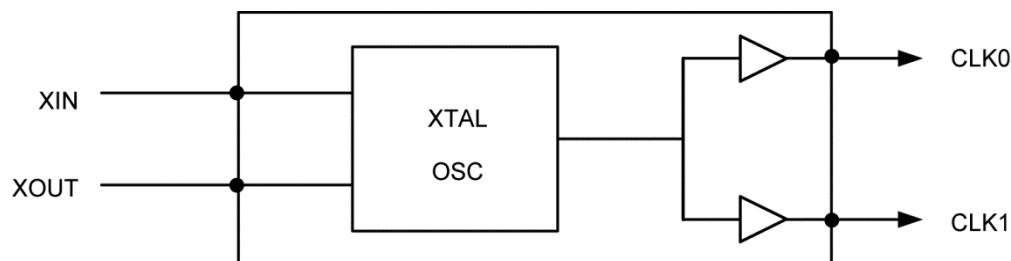
The PL135-27 is an advanced oscillator fanout buffer design for high performance, low-power, small form-factor applications. The PL135-27 accepts a fundamental crystal input of 10MHz to 40MHz and produces two LVCMOS outputs of the same frequency. The PL135-27 is designed to fit in a small 2mm × 1.3mm DFN package and offers the best phase noise, jitter performance and lowest power consumption of any comparable IC.

Datasheets and support documentation are available on Micrel's web site at: www.micrel.com.

Features

- Advanced oscillator design for wide frequency coverage
- Two LVCMOS outputs
- 8mA output drive strength
- Input/output frequency: 10MHz to 40MHz fundamental crystal
- Very low jitter and phase noise
- Low current consumption
- Single 1.62V to 3.63V power supply
- Available in 2.0mm × 1.3mm DFN-6L, GREEN/RoHS-compliant package

Block Diagram



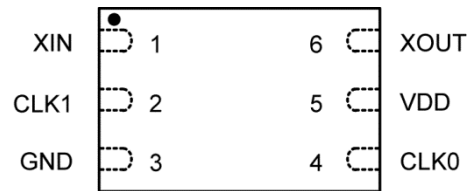
Ordering Information

Part Number	Ambient Temperature Range	Marking ⁽¹⁾	Package
PL135-27GC-R	0°C to +70°C	J27	6-Pin 2.0mm x 1.3mm DFN
PL135-27GI-R	-40°C to +85°C	LLL	

Note:

1. LLL designates lot number.

Pin Configuration



6-Lead DFN

Pin Description

Pin Number DFN-6L	Pin Name	Type	Pin Description
1	XIN	I	Crystal input
2	CLK1	O	Clock output
3	GND	P	GND connection
4	CLK0	O	Clock output
5	VDD	P	V _{DD} connection
6	XOUT	O	Crystal output

Absolute Maximum Ratings⁽²⁾

Supply Voltage (V_{DD}) -0.5V to +4.6V
 Output Voltage (V_{OUT}) -0.5V to $V_{DD}+0.5V$
 Storage Temperature (T_S) -65°C to +150°C

Operating Ratings⁽³⁾

Supply Voltage (V_{DD}) +1.62V to +3.63V
 Ambient Temperature (T_A) -40°C to +85°C

AC Electrical Characteristics

$V_{DD} = 1.8V \pm 10\%$, $2.5V \pm 10\%$ or $3.3V \pm 10\%$; $C_L = 15pF$; $T_A = -40^\circ C$ to $+85^\circ C$, unless otherwise noted

Symbol	Parameter	Condition	Min.	Typ.	Max.	Units
F_X	Crystal Input Frequency	Fundamental crystal	10		40	MHz
t_{SETTLE}	Settling Time	At Power-Up ($V_{DD} \geq 1.62V$)			2	ms
dF/dV_{DD}	V_{DD} Sensitivity	Frequency vs. V_{DD} , $\pm 10\%$	-0.5		0.5	ppm
t_R	Output Rise Time	10/90% V_{DD} , $V_{DD}=3.3V$		2	3	ns
t_F	Output Fall Time	90/10% V_{DD} , $V_{DD}=3.3V$		2	3	ns
t_{SKEW}	Output to Output Skew				500	ps
D-C	Duty Cycle		45	50	55	%

Notes:

- Exceeding the absolute maximum ratings may damage the device.
- The device is not guaranteed to function outside its operating ratings.

DC Electrical Characteristics

$V_{DD} = 1.8V \pm 10\%$, $2.5V \pm 10\%$ or $3.3V \pm 10\%$; $C_L = 15pF$; $T_A = -40^\circ C$ to $+85^\circ C$, unless otherwise noted

Symbol	Parameter	Condition	Min.	Typ.	Max.	Units
I_{DD}	Supply Current, Dynamic	$V_{DD} = 3.3V$, 25MHz, No Load		1.6		mA
		$V_{DD} = 2.5V$, 25MHz, No Load		1.2		mA
		$V_{DD} = 1.8V$, 25MHz, No Load		0.9		mA
V_{DD}	Operating Voltage		1.62		3.63	V
V_{OL}	Output Low Voltage	$I_{OL} = +4mA$, 3.3V			0.4	V
V_{OH}	Output High Voltage	$I_{OH} = -4mA$, 3.3V	2.4			V
I_{OSD}	Output Current	$V_{OL} = 0.4V$, $V_{OH} = 2.4V$	8			mA

Crystal Specifications

$V_{DD} = 1.8V \pm 10\%$, $2.5V \pm 10\%$ or $3.3V \pm 10\%$; $C_L = 15pF$; $T_A = -40^\circ C$ to $+85^\circ C$, unless otherwise noted

Symbol	Parameter	Condition	Min.	Typ.	Max.	Units
F_{XIN}	Fundamental Crystal Resonator Frequency		10		40	MHz
$C_{L(xtal)}$	Crystal Loading Rating			12		pF
P_D	Operating Drive Level			0.1	2	mW
C_0	Shunt Capacitance				5.5	pF
ESR	Effective Series Resistance	$C_0 \leq 5.5pF$			40	Ω
		$C_0 \leq 2.5pF$			60	Ω

Layout Recommendations

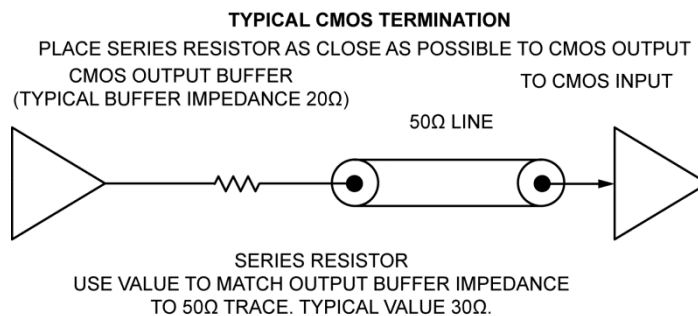
The following guidelines are to assist you with a performance optimized PCB design:

Signal Integrity and Termination Considerations

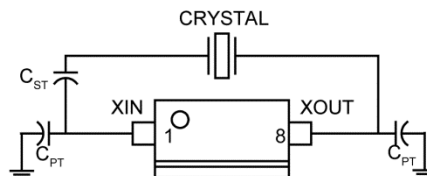
- Keep traces short.
- Trace = Inductor. With a capacitive load this equals ringing.
- Long trace = Transmission Line. Without proper termination this will cause reflections (looks like ringing).
- Design long traces as “striplines” or “microstrips” with defined impedance.
- Match trace at one side to avoid reflections bouncing back and forth.

Decoupling and Power Supply Considerations

- Place decoupling capacitors as close as possible to the VDD pin(s) to limit noise from the power supply
- Multiple VDD pins should be decoupled separately for best performance.
- Addition of a ferrite bead in series with VDD can help prevent noise from other board sources
- Value of decoupling capacitor is frequency dependent. Typical value to use is 0.1 μ F.



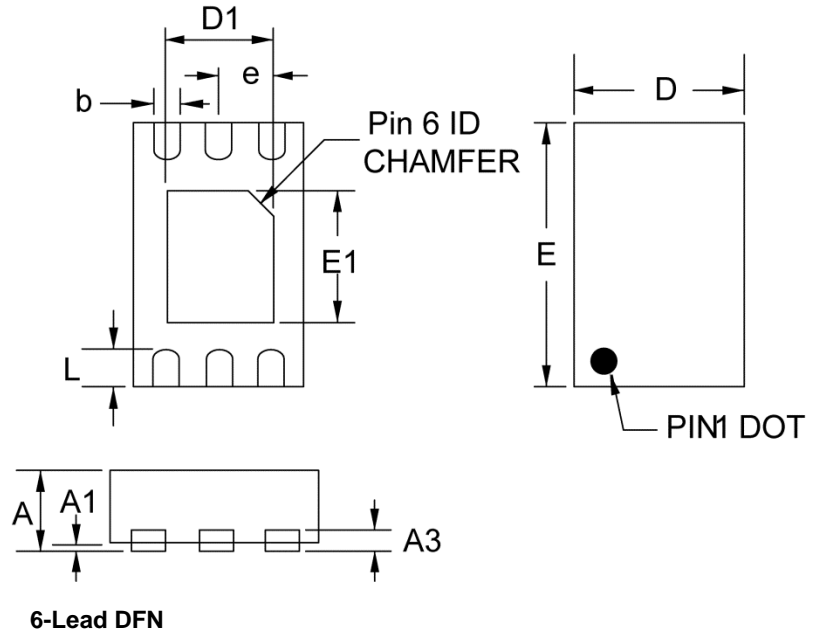
CRYSTAL TUNING CIRCUIT
SERIES AND PARALLEL CAPACITORS USED TO FINE TUNE THE CRYSTAL LOAD TO THE CIRCUIT LOAD



CST – SERIES CAPACITOR, USED TO LOWER CIRCUIT LOAD TO MATCH CRYSTAL LOAD. RAISES FREQUENCY OFFSET. THIS CAN BE ELIMINATED BY USING A CRYSTAL WITH A CLOAD OF EQUAL OR GREATER VALUE THAN THE OSCILLATOR.
CPT – PARALLEL CAPACITORS, USED TO RAISE THE CIRCUIT LOAD TO MATCH THE CRYSTAL LOAD. LOWERS FREQUENCY OFFSET.

Package Information⁽⁴⁾

Symbol	Dimension in MM	
	Min.	Max.
A	0.45	0.60
A1	0.00	0.05
A3	0.152	0.152
b	0.15	0.25
e	0.40BSC	
D	1.25	1.35
E	1.95	2.05
D1	0.75	0.85
E1	0.95	1.05
L	0.20	0.30



Note:

4. Package information is correct as of the publication date. For updates and most current information, go to www.micrel.com.

MICREL, INC. 2180 FORTUNE DRIVE SAN JOSE, CA 95131 USA
 TEL +1 (408) 944-0800 FAX +1 (408) 474-1000 WEB <http://www.micrel.com>

Micrel, Inc. is a leading global manufacturer of IC solutions for the worldwide high performance linear and power, LAN, and timing & communications markets. The Company's products include advanced mixed-signal, analog & power semiconductors; high-performance communication, clock management, MEMs-based clock oscillators & crystal-less clock generators, Ethernet switches, and physical layer transceiver ICs. Company customers include leading manufacturers of enterprise, consumer, industrial, mobile, telecommunications, automotive, and computer products. Corporation headquarters and state-of-the-art wafer fabrication facilities are located in San Jose, CA, with regional sales and support offices and advanced technology design centers situated throughout the Americas, Europe, and Asia. Additionally, the Company maintains an extensive network of distributors and reps worldwide.

Micrel makes no representations or warranties with respect to the accuracy or completeness of the information furnished in this datasheet. This information is not intended as a warranty and Micrel does not assume responsibility for its use. Micrel reserves the right to change circuitry, specifications and descriptions at any time without notice. No license, whether express, implied, arising by estoppel or otherwise, to any intellectual property rights is granted by this document. Except as provided in Micrel's terms and conditions of sale for such products, Micrel assumes no liability whatsoever, and Micrel disclaims any express or implied warranty relating to the sale and/or use of Micrel products including liability or warranties relating to fitness for a particular purpose, merchantability, or infringement of any patent, copyright, or other intellectual property right.

Micrel Products are not designed or authorized for use as components in life support appliances, devices or systems where malfunction of a product can reasonably be expected to result in personal injury. Life support devices or systems are devices or systems that (a) are intended for surgical implant into the body or (b) support or sustain life, and whose failure to perform can be reasonably expected to result in a significant injury to the user. A Purchaser's use or sale of Micrel Products for use in life support appliances, devices or systems is a Purchaser's own risk and Purchaser agrees to fully indemnify Micrel for any damages resulting from such use or sale.

© 2014 Micrel, Incorporated.

OUR CERTIFICATE

DiGi provide top-quality products and perfect service for customer worldwide through standardization, technological innovation and continuous improvement. DiGi through third-party certification, we stricly control the quality of products and services. Welcome your RFQ to

Email: Info@DiGi-Electronics.com



Tel: +00 852-30501935

RFQ Email: Info@DiGi-Electronics.com

DiGi is a global authorized distributor of electronic components.