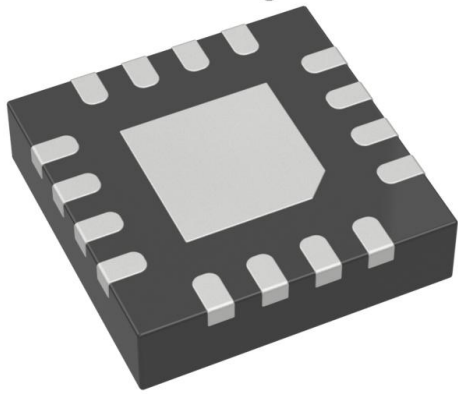


# PL135-67QC-R Datasheet

[www.digi-electronics.com](http://www.digi-electronics.com)



<https://www.DiGi-Electronics.com>

|                              |   |
|------------------------------|---|
| DiGi Electronics Part Number | PL135-67QC-R-DG   |
| Manufacturer                 | <a href="#">Microchip Technology</a>                                  |
| Manufacturer Product Number  | PL135-67QC-R  |
| Description                  | IC CLK BUFFER 1:6 40MHZ 16QFN   |
| Detailed Description         | Clock Fanout Buffer (Distribution) IC 1:6 40 MHz 16-WFQFN Exposed Pad |



Tel: +00 852-30501935

RFQ Email: [Info@DiGi-Electronics.com](mailto:Info@DiGi-Electronics.com)

DiGi is a global authorized distributor of electronic components.

## Purchase and inquiry

Manufacturer Product Number:

PL135-67QC-R

Series:

-

Type:

Fanout Buffer (Distribution)

Ratio - Input:Output:

1:6

Input:

Crystal

Frequency - Max:

40 MHz

Operating Temperature:

0°C ~ 70°C

Package / Case:

16-WFQFN Exposed Pad

Base Product Number:

PL135

Manufacturer:

Microchip Technology

Product Status:

Active

Number of Circuits:

1

Differential - Input:Output:

No/No

Output:

LVC MOS

Voltage - Supply:

1.62V ~ 3.63V

Mounting Type:

Surface Mount

Supplier Device Package:

16-QFN (3x3)

## Environmental & Export classification

RoHS Status:

ROHS3 Compliant

REACH Status:

REACH Unaffected

HTSUS:

8542.39.0001

Moisture Sensitivity Level (MSL):

1 (Unlimited)

ECCN:

EAR99





# PL135-67

## Low Power, 1.62V to 3.63V, 10MHz to 40MHz, 1:6 Oscillator Fanout Buffer

### FEATURES

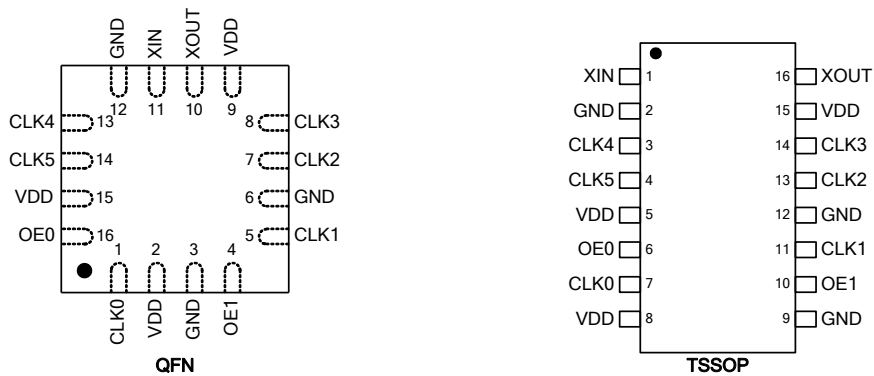
- Advanced Oscillator Design for Wide Frequency Coverage
- 6 LVCMOS Outputs with 2 Output Enable Pins
- 8mA Output Drive Strength
- Input/Output Frequency:
  - Fundamental Crystal: 10MHz to 40MHz
- Very Low Jitter and Phase Noise
- Low Current Consumption
- Single 1.62V to 3.63V Power Supply
- Available in QFN-16L and TSSOP-16L GREEN/RoHS Compliant Packages

### DESCRIPTION

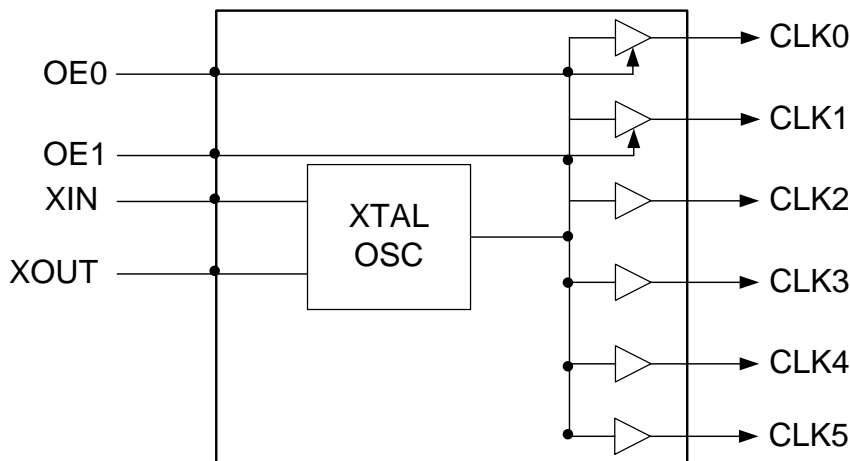
The PL135-67 is an advanced oscillator fanout buffer design for high performance, low-power, small form-factor applications. The PL135-67 accepts a fundamental input crystal of 10MHz to 40MHz and produces six outputs of the same frequency, two with their own Output Enable functions.

Offered in a small 3 x 3mm QFN or TSSOP package, the PL135-67 offers the best phase noise and jitter performance and lowest power consumption of any comparable IC.

### PACKAGE PIN CONFIGURATION



### BLOCK DIAGRAM





# PL135-67

Low Power, 1.62V to 3.63V, 10MHz to 40MHz, 1:6 Oscillator Fanout Buffer

## PACKAGE PIN ASSIGNMENT

| Name | Package Pin # |             | Type | Description  |
|------|---------------|-------------|------|--|
|      | QFN-16L       | (T)SSOP-16L |      |  |
| CLK0 | 1             | 7           | O    | Output clock   |
| VDD  | 2, 9, 15      | 5, 8, 15    | P    | V <sub>DD</sub> connection   |
| GND  | 3, 6, 12      | 2, 9, 12    | P    | GND connection   |
| OE1  | 4             | 6           | I*   | Output enable (OE) input for CLK1. Internal pull-up. Pull low to tri-state CLK1. |
| CLK1 | 5             | 11          | O    | Output clock   |
| CLK2 | 7             | 13          | O    | Output clock   |
| CLK3 | 8             | 14          | O    | Output clock   |
| XOUT | 10            | 16          | O    | Crystal output. Do not connect when using reference clock.                       |
| XIN  | 11            | 1           | I    | Crystal input  |
| CLK4 | 13            | 3           | O    | Output clock   |
| CLK5 | 14            | 4           | O    | Output clock   |
| OE0  | 14            | 4           | I*   | Output enable (OE) input for CLK0. Internal pull-up. Pull low to tri-state CLK0. |

\* **Note:** These pins include an internal 60kΩ pull up.



# PL135-67

## Low Power, 1.62V to 3.63V, 10MHz to 40MHz, 1:6 Oscillator Fanout Buffer

### LAYOUT RECOMMENDATIONS

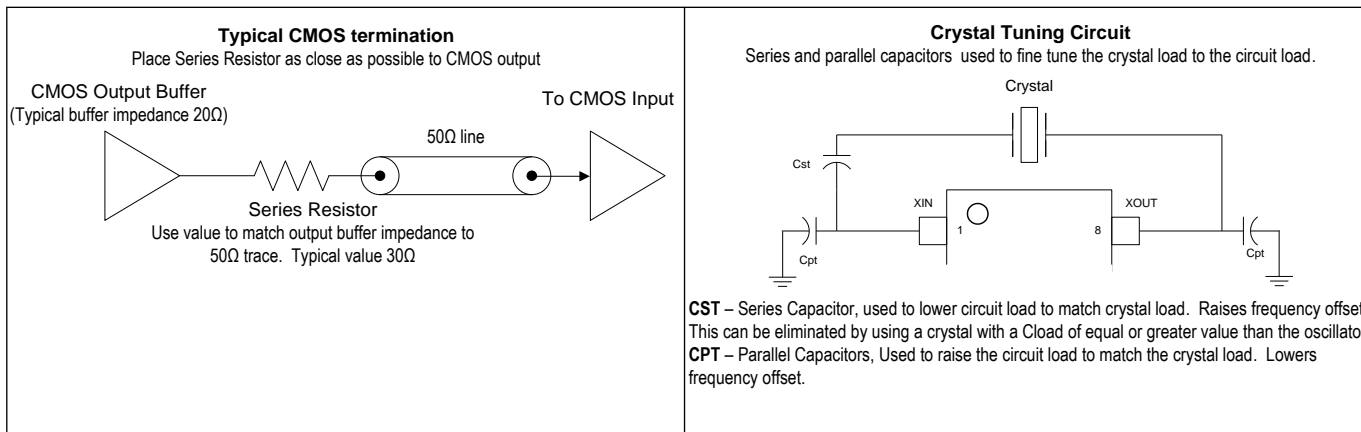
The following guidelines are to assist you with a performance optimized PCB design:

#### Signal Integrity and Termination Considerations

- Keep traces short!
- Trace = Inductor. With a capacitive load this equals ringing!
- Long trace = Transmission Line. Without proper termination this will cause reflections (looks like ringing).
- Design long traces as “striplines” or “microstrips” with defined impedance.
- Match trace at one side to avoid reflections bouncing back and forth.

#### Decoupling and Power Supply Considerations

- Place decoupling capacitors as close as possible to the  $V_{DD}$  pin(s) to limit noise from the power supply
- Multiple  $V_{DD}$  pins should be decoupled separately for best performance.
- Addition of a ferrite bead in series with  $V_{DD}$  can help prevent noise from other board sources
- Value of decoupling capacitor is frequency dependant. Typical value to use is  $0.1\mu F$ .



### ELECTRICAL SPECIFICATIONS

#### ABSOLUTE MAXIMUM RATINGS

| PARAMETERS                     | SYMBOL   | MIN. | MAX.         | UNITS |
|--------------------------------|----------|------|--------------|-------|
| Supply Voltage Range           | $V_{DD}$ | -0.5 | 4.6          | V     |
| Input Voltage Range            | $V_I$    | -0.5 | $V_{DD}+0.5$ | V     |
| Output Voltage Range           | $V_O$    | -0.5 | $V_{DD}+0.5$ | V     |
| Storage Temperature            | $T_S$    | -65  | 150          | °C    |
| Ambient Operating Temperature* |          | -40  | 85           | °C    |

Exposure of the device under conditions beyond the limits specified by Maximum Ratings for extended periods may cause permanent damage to the device and affect product reliability. These conditions represent a stress rating only, and functional operations of the device at these or any other conditions above the operational limits noted in this specification is not implied. \*Operating temperature is guaranteed by design. Parts are tested to commercial grade only.



# PL135-67

## Low Power, 1.62V to 3.63V, 10MHz to 40MHz, 1:6 Oscillator Fanout Buffer

### AC SPECIFICATIONS

| PARAMETERS              | CONDITIONS                                | MIN. | TYP. | MAX. | UNITS |
|-------------------------|---|------|------|------|-------|
| Crystal Input Frequency | Fundamental Crystal                       | 10   |      | 40   | MHz   |
| Settling Time           | At power-up ( $V_{DD} \geq 1.62V$ )       |      |      | 2    | ms    |
| Output Enable Time      | OE Function; $T_a=25^\circ C$ , 10pF Load |      |      | 10   | ns    |
| $V_{DD}$ Sensitivity    | Frequency vs. $V_{DD}$ , $\pm 10\%$       | -2   |      | 2    | ppm   |
| Output Rise Time        | 15pF Load, 10/90% $V_{DD}$ , 3.3V         |      | 2    | 4    | ns    |
| Output Fall Time        | 15pF Load, 90/10% $V_{DD}$ , 3.3V         |      | 2    | 4    | ns    |
| Output to Output Skew   | Under all conditions                      |      |      | 1    | ns    |
| Duty Cycle              | Under all conditions                      | 45   | 50   | 55   | %     |

### DC SPECIFICATIONS

| PARAMETERS              | SYMBOL    | CONDITIONS                        | MIN  | TYP | MAX  | UNITS |
|-------------------------|-----------|-----------------------------------|------|-----|------|-------|
| Supply Current, Dynamic | $I_{DD}$  | $V_{DD} = 3.3V$ , 25MHz, No Load  |      | 7.1 |      | mA    |
|                         |           | $V_{DD} = 2.5V$ , 25MHz, No Load  |      | 4.8 |      | mA    |
|                         |           | $V_{DD} = 1.8V$ , 25MHz, No Load  |      | 3.4 |      | mA    |
| Operating Voltage       | $V_{DD}$  |                                   | 1.62 |     | 3.63 | V     |
| Output Low Voltage      | $V_{OL}$  | $I_{OL} = +4mA$ , 3.3V            |      |     | 0.4  | V     |
| Output High Voltage     | $V_{OH}$  | $I_{OH} = -4mA$ , 3.3V            | 2.4  |     |      | V     |
| Output Current          | $I_{OSD}$ | $V_{OL} = 0.4V$ , $V_{OH} = 2.4V$ | 8    |     |      | mA    |

### CRYSTAL SPECIFICATIONS

| PARAMETERS                              | SYMBOL            | MIN.  | TYP. | MAX. | UNITS    |
|---|-------------------|-------|------|------|----------|
| Fundamental Crystal Resonator Frequency | $F_{XIN}$         | 10    |      | 40   | MHz      |
| Crystal Loading Rating                  | $C_{L(xtal)}$     |       | 15   |      | pF       |
| Operating Drive Level                   |                   |       | 0.1  | 2    | mW       |
| Metal Can Crystal                       | Shunt Capacitance | $C_0$ |      | 5.5  | pF       |
|   | ESR Max           | ESR   |      | 40   | $\Omega$ |
| Small SMD Crystal                       | Shunt Capacitance | $C_0$ |      | 2.5  | pF       |
|   | ESR Max           | ESR   |      | 60   | $\Omega$ |



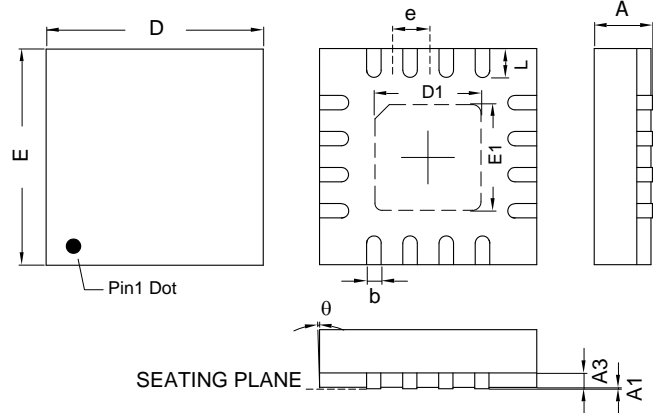
# PL135-67

Low Power, 1.62V to 3.63V, 10MHz to 40MHz, 1:6 Oscillator Fanout Buffer

## PACKAGE DRAWINGS (GREEN PACKAGE COMPLIANT)

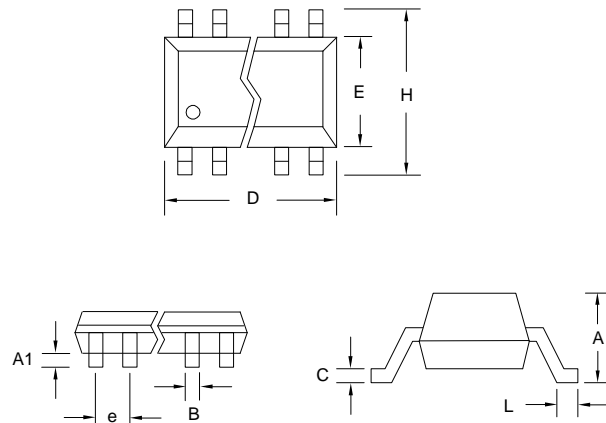
### QFN 16L

| Symbol | Dimension in MM |      |
|--------|-----------------|------|
|        | Min.            | Max. |
| A      | 0.07            | 0.8  |
| A1     | 0.05            | 0.05 |
| A3     | 0.20            |      |
| b      | 0.18            | 0.30 |
| D      | 3.00 BSC        |      |
| E      | 3.00 BSC        |      |
| D1     | --              | 1.70 |
| E1     | --              | 1.70 |
| L      | 0.30            | 0.50 |
| e      | 0.50 BSC        |      |



### TSSOP 16L

| Symbol | Dimension in MM |      |
|--------|-----------------|------|
|        | Min.            | Max. |
| A      | -               | 1.20 |
| A1     | 0.05            | 0.15 |
| b      | 0.19            | 0.30 |
| C      | 0.09            | 0.20 |
| D      | 4.90            | 5.10 |
| E      | 4.30            | 4.50 |
| H      | 6.20            | 6.60 |
| L      | 0.45            | 0.75 |
| e      | 0.635 BSC       |      |





# PL135-67

## Low Power, 1.62V to 3.63V, 10MHz to 40MHz, 1:6 Oscillator Fanout Buffer

### ORDERING INFORMATION (GREEN PACKAGE COMPLIANT)

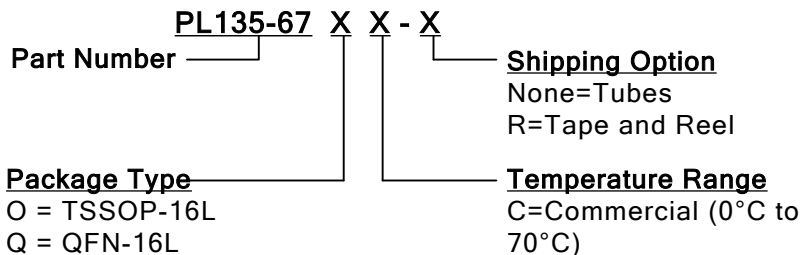
*For part ordering, please contact our Sales Department:*

2180 Fortune Drive, San Jose, CA 95131, USA

Tel: (408) 944-0800 Fax: (408) 474-1000

#### PART NUMBER

The order number for this device is a combination of the following:  
Part number, Package type and Operating temperature range



| Part Number/Order Number | Marking           | Package Option               |
|--------------------------|-------------------|------------------------------|
| PL135-67OC               | P135-67<br>OC     | 16-Pin TSSOP (Tube)          |
| PL135-67OC-R             | LLLLL             | 16-Pin TSSOP (Tape and Reel) |
| PL135-67QC-R             | P135<br>67<br>LLL | 16-Pin QFN (Tape and Reel)   |

\*Note: LLL designates lot number

Micrel Inc., reserves the right to make changes in its products or specifications, or both at any time without notice. The information furnished by Micrel is believed to be accurate and reliable. However, Micrel makes no guarantee or warranty concerning the accuracy of said information and shall not be responsible for any loss or damage of whatever nature resulting from the use of, or reliance upon this product.

**LIFE SUPPORT POLICY:** Micrel's products are not authorized for use as critical components in life support devices or systems without the express written approval of the President of Micrel Inc.



## OUR CERTIFICATE

DiGi provide top-quality products and perfect service for customer worldwide through standardization, technological innovation and continuous improvement. DiGi through third-party certification, we strictly control the quality of products and services. Welcome your RFQ to

Email: [Info@DiGi-Electronics.com](mailto:Info@DiGi-Electronics.com)



Tel: +00 852-30501935

RFQ Email: [Info@DiGi-Electronics.com](mailto:Info@DiGi-Electronics.com)

DiGi is a global authorized distributor of electronic components.