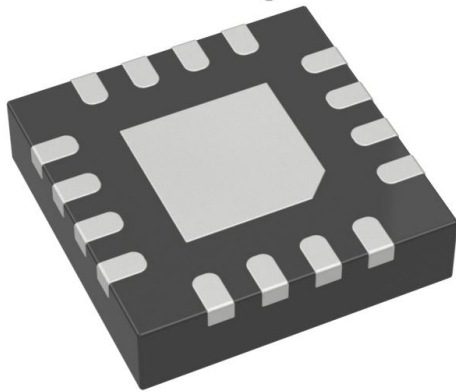


SY56017RMG Datasheet

www.digi-electronics.com



<https://www.DiGi-Electronics.com>

DiGi Electronics Part Number	SY56017RMG-DG
Manufacturer	Microchip Technology
Manufacturer Product Number	SY56017RMG
Description	IC CLK MULTIPLX 2:1 4.5GHZ 16MLF
Detailed Description	Clock Multiplexer IC 2:1 4.5 GHz 16-VFQFN Exposed Pad, 16-MLF®



Tel: +00 852-30501935

RFQ Email: Info@DiGi-Electronics.com

DiGi is a global authorized distributor of electronic components.

Purchase and inquiry

Manufacturer Product Number:

SY56017RMG

Series:

Precision Edge®

Type:

Multiplexer

Ratio - Input:Output:

2:1

Input:

CML, LVDS, LVPECL

Frequency - Max:

4.5 GHz

Operating Temperature:

-40°C ~ 85°C

Package / Case:

16-VFQFN Exposed Pad, 16-MLF®

Base Product Number:

SY56017

Manufacturer:

Microchip Technology

Product Status:

Active

Number of Circuits:

1

Differential - Input:Output:

Yes/Yes

Output:

CML

Voltage - Supply:

2.375V ~ 2.625V

Mounting Type:

Surface Mount

Supplier Device Package:

16-MLF® (3x3)

Environmental & Export classification

RoHS Status:

ROHS3 Compliant

REACH Status:

REACH Unaffected

HTSUS:

8542.39.0001

Moisture Sensitivity Level (MSL):

2 (1 Year)

ECCN:

EAR99



SY56017R

Low Voltage 1.2V/1.8V/2.5V CML 2:1 MUX 6.4 Gbps with Equalization

Features

- 1.2V/1.8V/2.5V CML 2:1 MUX
- Equalizes 9, 18, 27 inches of FR4
- Guaranteed AC Performance over Temperature and Voltage:
 - DC-to >6.4 Gbps Throughput
 - DC-to >4.5 GHz Clock Throughput
 - <280 ps Propagation Delay (IN-to-Q)
 - <20 ps Input Skew
 - <80 ps Rise/Fall Times
- Ultra-Low Jitter Design
 - 1 ps_{RMS} Cycle-to-Cycle Jitter
- High-Speed CML Outputs
- 2.5V $\pm 5\%$ V_{CC}, 1.2/1.8V/2.5V $\pm 5\%$ V_{CCO} Power Supply Operation
- Industrial Temperature Range: -40°C to +85°C
- Available In 16-Lead (3 mm x 3 mm) QFN Package

Applications

- Data Distribution
- SONET Clock and Data Distribution
- Fibre Channel Clock and Data Distribution
- Gigabit Ethernet Clock And Data Distribution

Markets

- Storage
- ATE
- Test and Measurement
- Enterprise Networking Equipment
- High-End Servers
- Metro Area Network Equipment

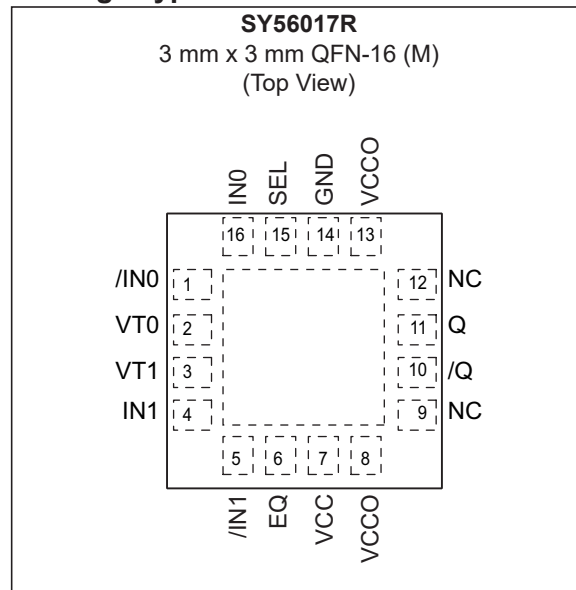
General Description

The SY56017R is a fully differential, low voltage 1.2V/1.8V/2.5V CML 2:1 MUX with input equalization. The SY56017R can process clock signals as fast as 4.5 GHz or data patterns up to 6.4 Gbps.

The differential input includes Microchip's unique, 3-pin input termination architecture that interfaces to CML differential signals, without any level-shifting or termination resistor networks in the signal path. The differential input can also accept AC-coupled LVPECL and LVDS signals. Input voltages as small as 200 mV (400 mV_{PP}) are applied before the 9", 18", or 27" FR4 transmission line. For AC-coupled input interface applications, an internal voltage reference is provided to bias the VT pin. The outputs are CML, with extremely fast rise/fall times guaranteed to be less than 80 ps.

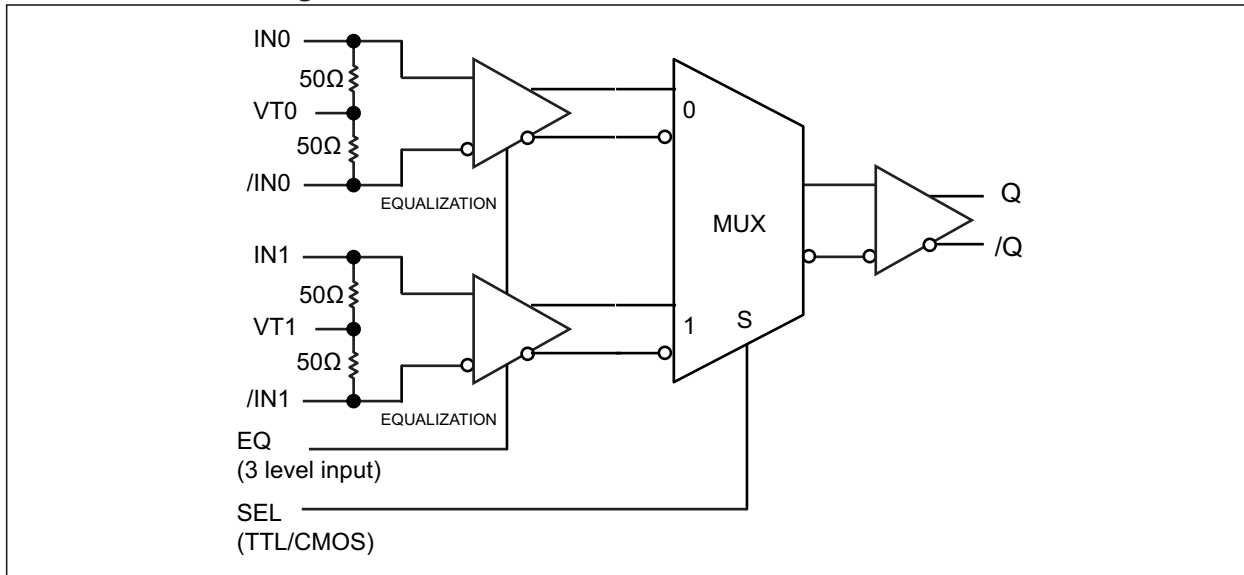
The SY56017R operates from a 2.5V $\pm 5\%$ core supply and a 1.2V, 1.8V, or 2.5V $\pm 5\%$ output supply and is guaranteed over the full industrial temperature range (-40°C to +85°C). The SY56017R is part of Microchip's high-speed, Precision Edge[®] product line.

Package Type



SY56017R

Functional Block Diagram



1.0 ELECTRICAL CHARACTERISTICS**Absolute Maximum Ratings †**

Supply Voltage (V_{CC})	-0.5V to +3.0V
Supply Voltage (V_{CCO})	-0.5V to +3.0V
$V_{CC} - V_{CCO}$	<1.8V
$V_{CCO} - V_{CC}$	<0.5V
Input Voltage (V_{IN})	-0.5V to V_{CC}
CML Output Voltage (V_{OUT})	+0.6V to +3.0V
Current (I_T)	
Source or Sink on VT Pin	±100 mA
Input Current	
Source or Sink Current on, IN, /IN	±50 mA

Operating Ratings ††

Supply Voltage (V_{CC})	+2.375V to +2.625V
Supply Voltage (V_{CCO})	+1.14V to +2.625V

† Notice: Permanent device damage may occur if absolute maximum ratings are exceeded. This is a stress rating only and functional operation is not implied at conditions other than those detailed in the operational sections of this data sheet. Exposure to absolute maximum ratings conditions for extended periods may affect device reliability.

†† Notice: The data sheet limits are not guaranteed if the device is operated beyond the operating ratings.

SY56017R

DC ELECTRICAL CHARACTERISTICS

Electrical Characteristics: $T_A = -40^{\circ}\text{C}$ to $+85^{\circ}\text{C}$, unless otherwise stated. [Note 1](#)

Parameters	Sym.	Min.	Typ.	Max.	Units	Conditions
Power Supply Voltage Range	V_{CC}	2.375	2.5	2.625	V	V_{CC}
		1.14	1.2	1.26		V_{CCO}
		1.7	1.8	1.9		V_{CCO}
		2.375	2.5	2.625		V_{CCO}
Power Supply Current	I_{CC}	—	55	80	mA	Max. V_{CC}
Power Supply Current	I_{CCO}	—	16	21	mA	No load, V_{CCO}
Input Resistance (IN-to-VT, /IN-to-VT)	R_{IN}	45	50	55	Ω	—
Differential Input Resistance (IN-to-/IN)	R_{DIFF_IN}	90	100	110	Ω	—
Input HIGH Voltage (IN, /IN)	V_{IH}	1.42	—	V_{CC}	V	IN, /IN
Input LOW Voltage (IN, /IN)	V_{IL}	1.22	—	$V_{IH} - 0.2$	V	IN, /IN, $1.22\text{V} = 1.7 - 0.475$
Input Voltage Swing (IN, /IN)	V_{IN}	0.2	—	1.0	V	See Figure 3-4 , (Note 2) applied to input of transmission line.
Differential Input Voltage Swing (IN - /IN)	V_{DIFF_IN}	0.4	—	2.0	V	See Figure 3-5 , (Note 2) applied to input of transmission line.
Voltage from Input to VT	V_{T-IN}	—	—	1.28	V	—

Note 1: The circuit is designed to meet the DC specifications shown in the above table after thermal equilibrium has been established.

2: $V_{IN(MAX)}$ is specified when VT is floating.

CML OUTPUTS DC ELECTRICAL CHARACTERISTICS

Electrical Characteristics: $V_{CCO} = 1.14\text{V}$ to 1.26V $R_L = 50\Omega$ to V_{CCO} , $V_{CCO} = 1.7\text{V}$ to 1.9V , 2.375V to 2.625V , $R_L = 50\Omega$ to V_{CCO} or 100Ω across the outputs, $V_{CC} = 2.375\text{V}$ to 2.625V ; $T_A = -40^{\circ}\text{C}$ to $+85^{\circ}\text{C}$, unless otherwise stated. ([Note 1](#))

Parameter	Symbol	Min.	Typ.	Max.	Units	Condition
Output High Voltage	V_{OH}	$V_{CC} - 0.02$	$V_{CC} - 0.01$	V_{CC}	V	$R_L = 50\Omega$ to V_{CCO}
Output Voltage Swing	V_{OUT}	300	390	475	mV	See Figure 3-4
Differential Output Voltage Swing	V_{DIFF_OUT}	600	780	950	mV	See Figure 3-5
Output Source Impedance	R_{OUT}	45	50	55	Ω	—

Note 1: The circuit is designed to meet the DC specifications shown in the above table after thermal equilibrium has been established.

LVTTTL/CMOS DC ELECTRICAL CHARACTERISTICS**Electrical Characteristics:** $V_{CC} = 2.375V$ to $2.625V$; $T_A = -40^{\circ}C$ to $+85^{\circ}C$, unless otherwise stated. (Note 1)

Parameter	Symbol	Min.	Typ.	Max.	Units	Condition
Input HIGH Voltage	V_{IH}	2.0	—	V_{CC}	V	—
Input LOW Voltage	V_{IL}	—	—	0.8	V	—
Input HIGH Current	I_{IH}	-125	—	30	μA	—
Input LOW Current	I_{IL}	-300	—	—	μA	—

Note 1: The circuit is designed to meet the DC specifications shown in the above table after thermal equilibrium has been established.**THREE LEVEL EQ INPUT DC ELECTRICAL CHARACTERISTICS****Electrical Characteristics:** $V_{CC} = 2.375V$ to $2.625V$; $T_A = -40^{\circ}C$ to $+85^{\circ}C$, unless otherwise stated. (Note 1)

Parameter	Symbol	Min.	Typ.	Max.	Units	Condition
Input HIGH Voltage	V_{IH}	$V_{CC} - 0.3$	—	V_{CC}	V	—
Input LOW Voltage	V_{IL}	0	—	$V_{EE} + 0.3$	V	—
Input HIGH Current	I_{IH}	—	—	400	μA	$V_{IH} = V_{CC}$
Input LOW Current	I_{IL}	-480	—	—	μA	$V_{IL} = GND$

Note 1: The circuit is designed to meet the DC specifications shown in the above table after thermal equilibrium has been established.**AC ELECTRICAL CHARACTERISTICS****Electrical Characteristics:** $V_{CCO} = 1.14V$ to $1.26V$ $R_L = 50\Omega$ to V_{CCO} , $V_{CCO} = 1.7V$ to $1.9V$, $2.375V$ to $2.625V$, $R_L = 50\Omega$ to V_{CCO} or 100Ω across the outputs, $V_{CC} = 2.375V$ to $2.625V$; $T_A = -40^{\circ}C$ to $+85^{\circ}C$, unless otherwise stated.

Parameter	Symbol	Min.	Typ.	Max.	Units	Condition
Maximum Frequency	f_{MAX}	6.4	—	—	Gbps	NRZ (Data)
		4.5	—	—	GHz	$V_{OUT} \geq 200$ mV (Clock)
Propagation Delay IN-to-Q	t_{PD}	100	180	280	ps	Note 1, Figure 3-1
Propagation Delay SEL-to-Q		90	210	350	ps	Figure 3-1
Input-to-Input Skew	t_{SKEW}	—	—	20	ps	Note 2
Part-to-Part Skew		—	—	100	ps	Note 3
Random Jitter	t_{JITTER}	—	—	1	ps _{RMS}	Note 4
Crosstalk Induced Jitter		—	—	0.7	ps _{PP}	Note 5
Output Rise/Fall Time (20% to 80%)	t_r, t_f	20	50	80	ps	At full output swing

Note 1: Propagation delay is measured with no attenuating transmission line connected to the input.**2:** Input-to-Input skew is the difference in time between both inputs and the output for the same temperature, voltage and transition.**3:** Part-to-part skew is defined for two parts with identical power supply voltages at the same temperature and no skew at the edges at the respective inputs.**4:** Random jitter is measured with a K28.7 pattern, measured at $\leq f_{MAX}$.**5:** Crosstalk induced jitter is defined as the added jitter that results from signals applied to the adjacent channel. It is measured at the output while applying a similar, differential clock frequencies that are asynchronous with respect to each other at the adjacent input.

SY56017R

TEMPERATURE SPECIFICATIONS

Parameters	Sym.	Min.	Typ.	Max.	Units	Conditions
Temperature Ranges						
Operating Ambient Temperature Range	T_A	-40	—	+85	°C	—
Maximum Operating Junction Temperature	T_J	—	—	+125	°C	—
Lead Temperature	—	—	—	+260	°C	Soldering, 20 sec.
Storage Temperature Range	T_S	-65	—	+150	°C	—
Package Thermal Resistances (Note 1)						
Thermal Resistance, 3x3 QFN-16Ld	θ_{JA}	—	75	—	°C/W	Still-air
	ψ_{JB}	—	33	—	°C/W	Junction-to-board

Note 1: Package thermal resistance assumes exposed pad is soldered (or equivalent) to the device's most negative potential on the PCB. ψ_{JB} and θ_{JA} values are determined for a 4-layer board in still-air number, unless otherwise stated.

2.0 TYPICAL PERFORMANCE CURVES

Note: The graphs and tables provided following this note are a statistical summary based on a limited number of samples and are provided for informational purposes only. The performance characteristics listed herein are not tested or guaranteed. In some graphs or tables, the data presented may be outside the specified operating range (e.g., outside specified power supply range) and therefore outside the warranted range.

$V_{CC} = 2.5V$, $V_{CCO} = 1.2V$, $GND = 0V$, $V_{IN} = 400\text{ mV}$, $R_L = 50\Omega$ to $1.2V$, Data Pattern: $2^{23}-1$, $T_A = +25^\circ C$, unless otherwise stated.

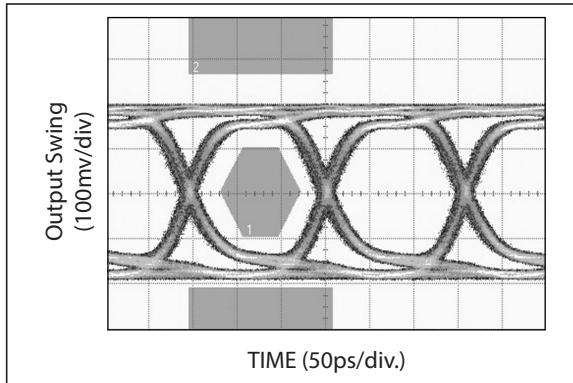


FIGURE 2-1: 6.4 Gbps, 24 inch FR4.

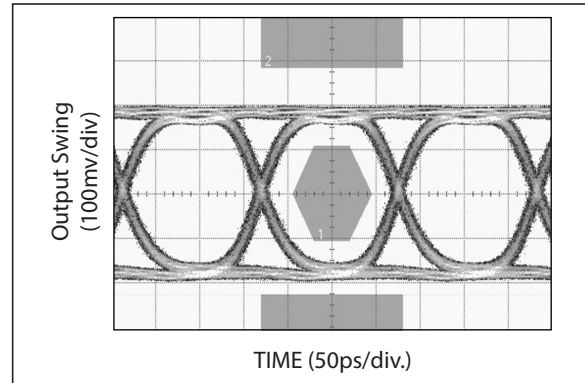


FIGURE 2-3: 6.4 Gbps, 9 inch FR4.

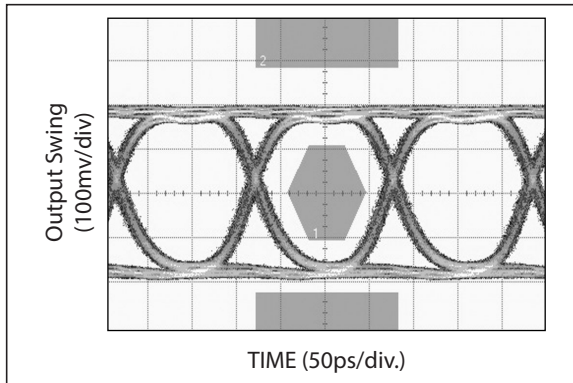


FIGURE 2-2: 6.4 Gbps, 18 inch FR4.

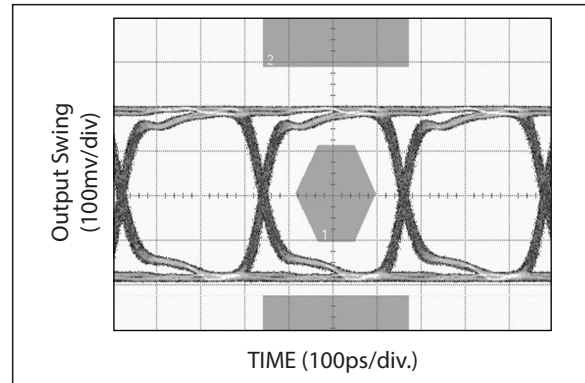


FIGURE 2-4: 3.2 Gbps, 24 inch FR4.

SY56017R

3.0 PIN DESCRIPTIONS

The descriptions of the pins are listed in [Table 3-1](#).

TABLE 3-1: PIN FUNCTION TABLE

Pin Number	Pin Name	Description
16, 1 4, 5	IN0, /IN0 IN1, /IN1	Differential Inputs: Signals as small as 200 mV V_{PK} (400 mV _{PP}) applied to the input of 9, 18, or 27 inches 6 mm FR4 stripline transmission line are then terminated with the differential input. Each input pin internally terminates with 50Ω to the VT pin.
2, 3	VT0, VT1	Input Termination Center-Tap: Each side of the differential input pair terminates to a VT pin. This pin provides a center-tap to a termination network for maximum interface flexibility. An internal high impedance resistor divider biases VT to allow input AC-coupling. For AC-coupling, bypass VT with 0.1 μF low ESR capacitor to VCC. See the Interface Applications section.
6	EQ	Three level input for equalization control. High, float, low. EQ pin applies the same EQ setting to both inputs.
15	SEL	This single-ended TTL/CMOS-compatible input selects the inputs to the multiplexer. Note that this input is internally connected to a 25 kΩ pull-up resistor and will default to a logic HIGH state if left open.
7	VCC	Positive Power Supply: Bypass with a 0.1 μF//0.01 μF low-ESR capacitor as close to the VCC pin as possible. Supplies input and core circuitry.
8, 13	VCCO	Output Supply: Bypass with 0.1 μF//0.01 μF low-ESR capacitors as close to the VCCO pins as possible. Supplies the output buffers.
14	GND, Exposed Pad	Ground: Exposed pad must be connected to a ground plane that is the same potential as the ground pins.
11, 10	Q, /Q	CML Differential Output Pair: Differential buffered copy of the input signal. The output swing is typically 390 mV. See the Interface Applications section for termination information.

TABLE 3-2: TRUTH TABLE

SEL	Output
0	IN0 Input Selected
1	IN1 Input Selected

TABLE 3-3: TRUTH TABLE

EQ	Equalization
LOW	27"
FLOAT	18"
HIGH	9"

Timing Diagrams

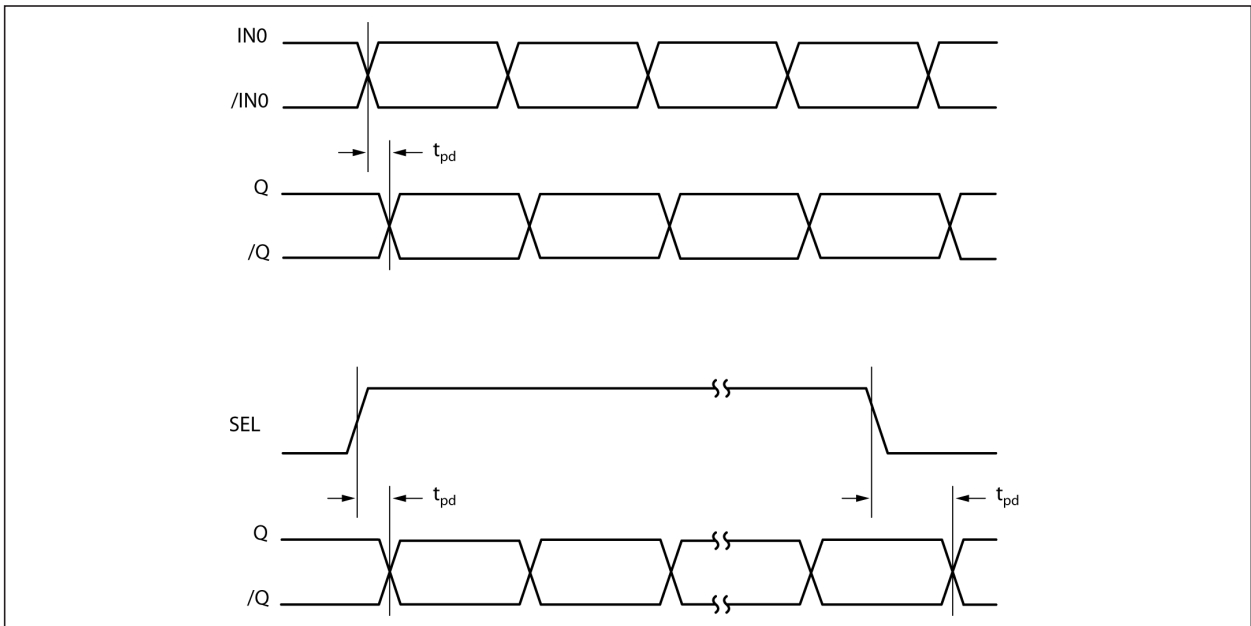


FIGURE 3-1: Propagation Delay.

Input and Output Stage

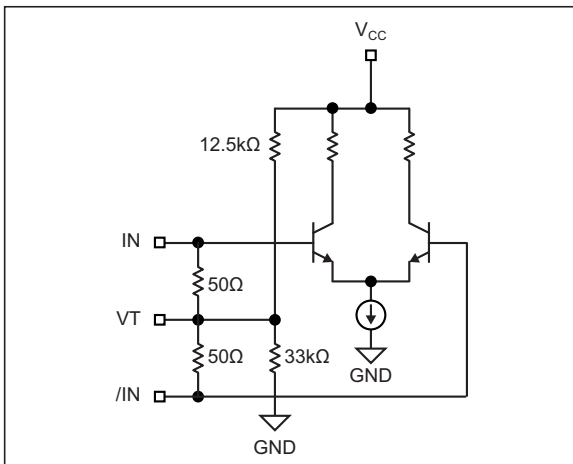


FIGURE 3-2: Simplified Differential Input Buffer.

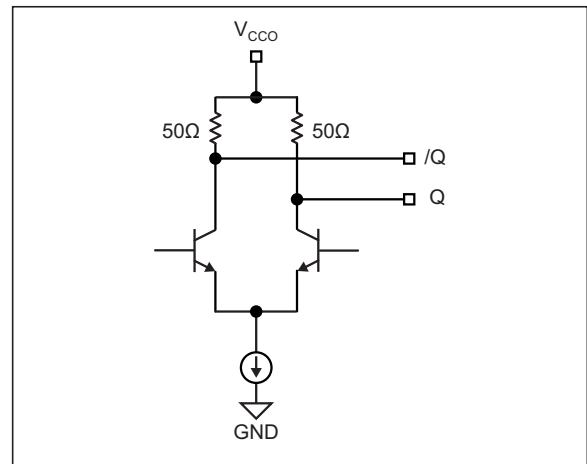


FIGURE 3-3: Simplified CML Output Buffer.

Single-Ended and Differential Swings

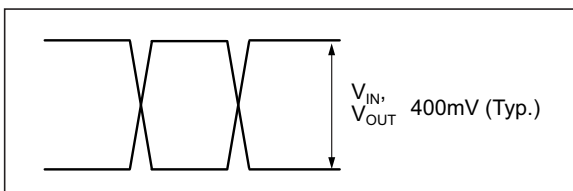


FIGURE 3-4: Single-Ended Swing.

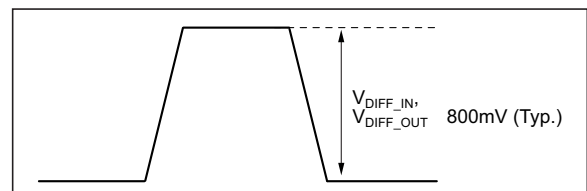


FIGURE 3-5: Differential Swing.

SY56017R

4.0 INTERFACE APPLICATIONS

For Input Interface Applications see [Figure 4-1](#) through [Figure 4-5](#) and for CML Output Termination see [Figure 4-6](#) through [Figure 4-9](#).

4.1 Input Termination

1.8V CML driver: Terminate input with VT tied to 1.8V. Don't terminate 100Ω differentially.

2.5V CML driver: Terminate input with either VT tied to 2.5V or 100Ω differentially.

The input cannot be DC coupled from a 1.2V CML driver.

4.2 CML Output Termination with V_{CCO} 1.2V

For V_{CCO} of 1.2V, [Figure 4-6](#), terminate the output with 50Ω to 1.2V, not 100Ω differentially across the outputs. If AC-coupling is used, [Figure 4-9](#), terminate into 50Ω to 1.2V before the coupling capacitor and then connect to a high value resistor to a reference voltage. Any unused output pair needs to be terminated, do not leave floating.

4.3 CML Output Termination with V_{CCO} 1.8V

For V_{CCO} of 1.8V or 2.5V, [Figure 4-6](#) and [Figure 4-7](#), terminate with either 50Ω to 1.8V or 2.5V or 100Ω differentially across the outputs. AC- or DC-coupling is fine.

Input Interface Applications

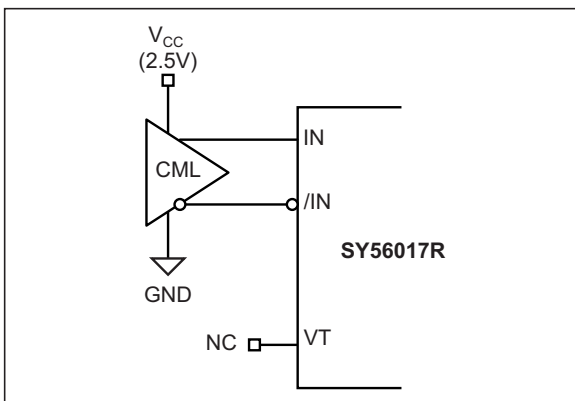


FIGURE 4-1: CML Interface (DC-Coupled, 2.5V, 100Ω Differential).

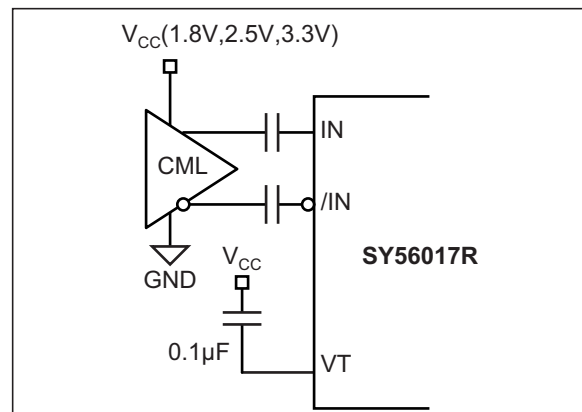


FIGURE 4-3: CML Interface (AC-Coupled).

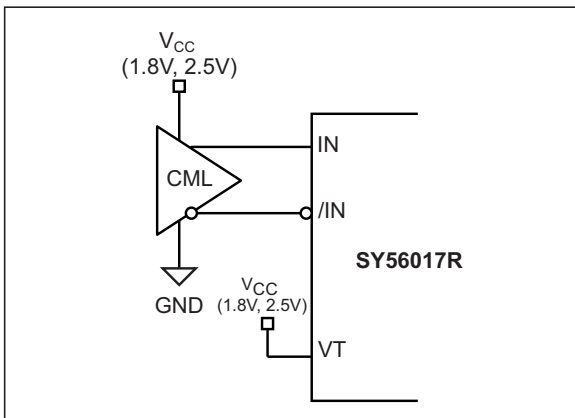


FIGURE 4-2: CML Interface (DC-Coupled, 1.8V, 2.5V, 50Ω to V_{CC}).

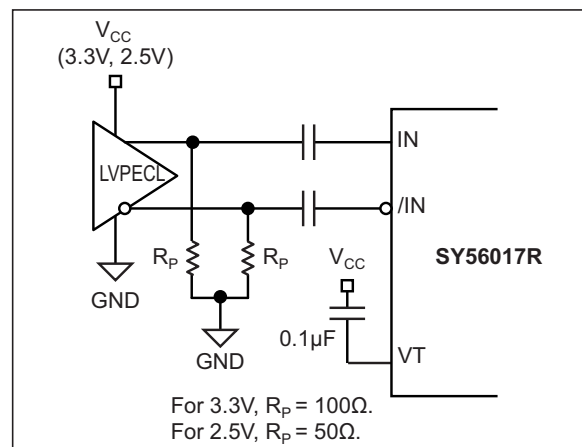


FIGURE 4-4: LVPECL Interface (AC-Coupled).

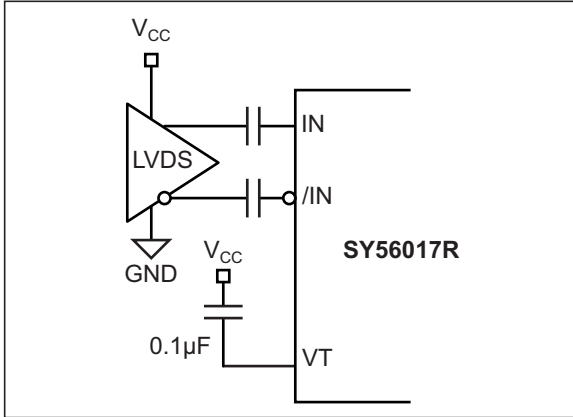


FIGURE 4-5: LVDS Interface (AC-Coupled).

CML Output Termination

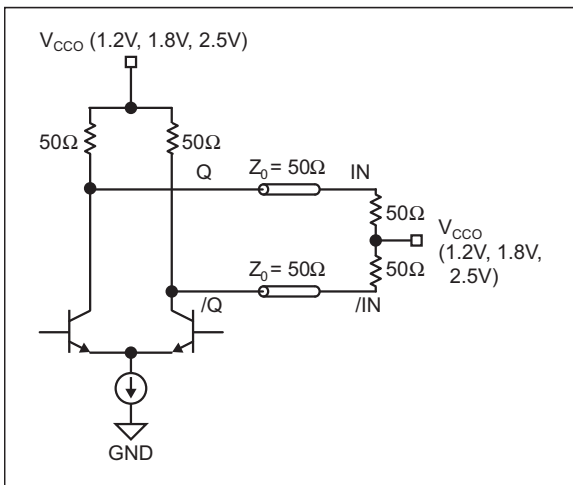


FIGURE 4-6: 1.2V, 1.8V, or 2.5V CML DC-Coupled Termination.

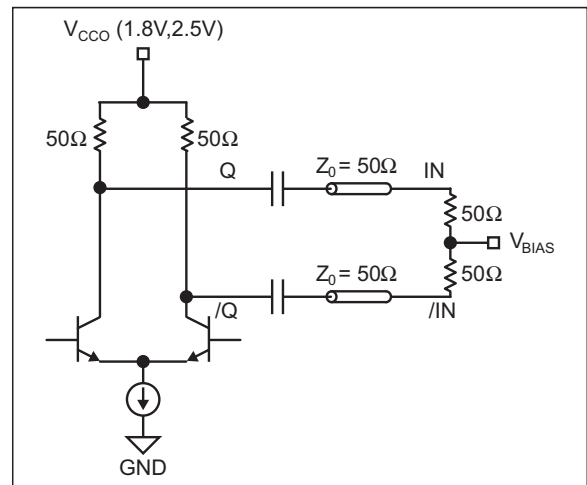


FIGURE 4-8: CML AC-Coupled Termination V_{CCO} 1.8V or 2.5V Only.

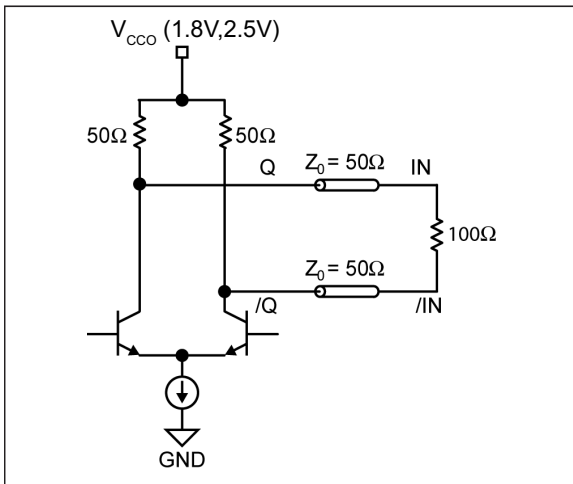


FIGURE 4-7: 1.8V or 2.5V CML DC-Coupled Termination.

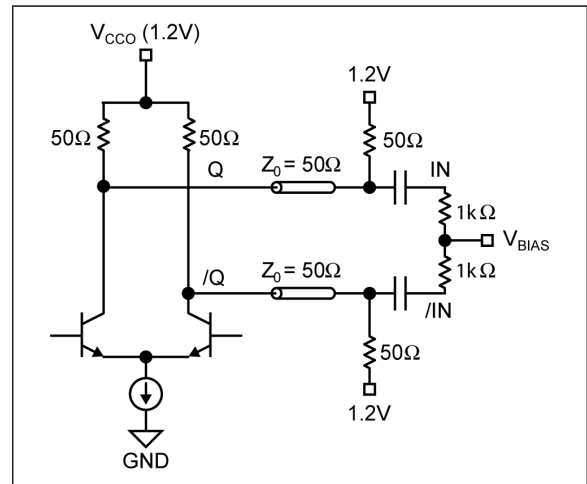


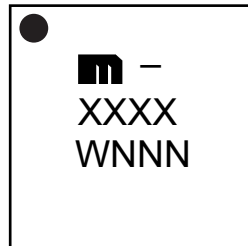
FIGURE 4-9: CML AC-Coupled Termination V_{CCO} 1.2V Only.

SY56017R

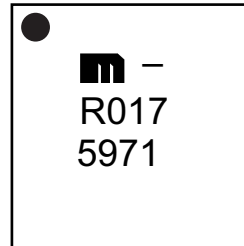
5.0 PACKAGING INFORMATION

5.1 Package Marking Information

16-Lead QFN*



Example

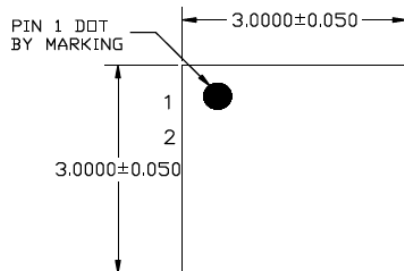


Legend:	XX...X	Product code or customer-specific information
	Y	Year code (last digit of calendar year)
	YY	Year code (last 2 digits of calendar year)
	WW	Week code (week of January 1 is week '01')
	NNN	Alphanumeric traceability code
	(e3)	Pb-free JEDEC® designator for Matte Tin (Sn)
	*	This package is Pb-free. The Pb-free JEDEC designator ((e3)) can be found on the outer packaging for this package.
	•, ▲, ▼	Pin one index is identified by a dot, delta up, or delta down (triangle mark).
Note:	In the event the full Microchip part number cannot be marked on one line, it will be carried over to the next line, thus limiting the number of available characters for customer-specific information. Package may or may not include the corporate logo.	
	Underbar (¯) and/or Overbar (˘) symbol may not be to scale.	

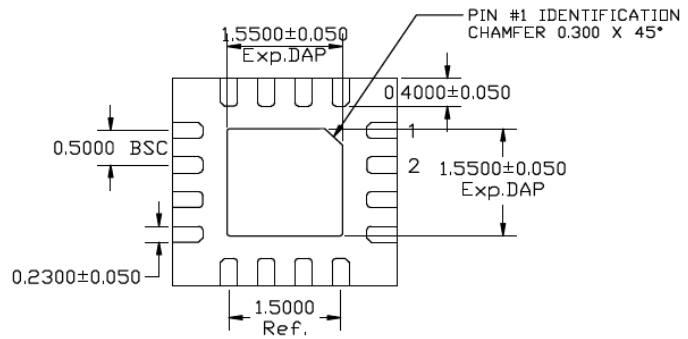
16-Lead QFN 3 mm x 3 mm Package Outline and Recommended Land Pattern**TITLE**

16 LEAD QFN 3x3mm PACKAGE OUTLINE & RECOMMENDED LAND PATTERN

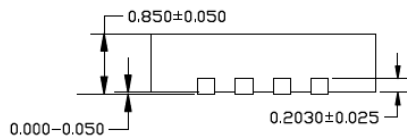
DRAWING #	QFN33-16LD-PL-1	UNIT	MM
-----------	-----------------	------	----

TOP VIEW

NOTE: 1, 2, 3

BOTTOM VIEW

NOTE: 1, 2, 3

SIDE VIEW

NOTE: 1, 2, 3

NOTE:

1. MAX PACKAGE WARPAGE IS 0.05 MM
2. MAX ALLOWABLE BURR IS 0.076 MM IN ALL DIRECTIONS
3. PIN #1 IS ON TOP WILL BE LASER MARKED
4. RED CIRCLE IN LAND PATTERN INDICATE THERMAL VIA. SIZE SHOULD BE 0.30-0.35 MM IN DIAMETER AND SHOULD BE CONNECTED TO GND FOR MAX THERMAL PERFORMANCE
5. GREEN RECTANGLES (SHADED AREA) indicate SOLDER STENCIL OPENING ON EXPOSED PAD AREA. SIZE SHOULD BE 0.60x0.60 MM IN SIZE, 0.20 MM SPACING.

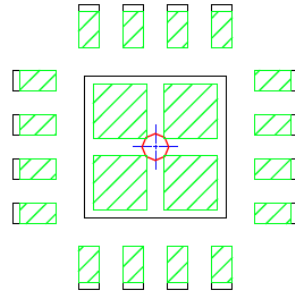
Note: For the most current package drawings, please see the Microchip Packaging Specification located at <http://www.microchip.com/packaging>.

SY56017R

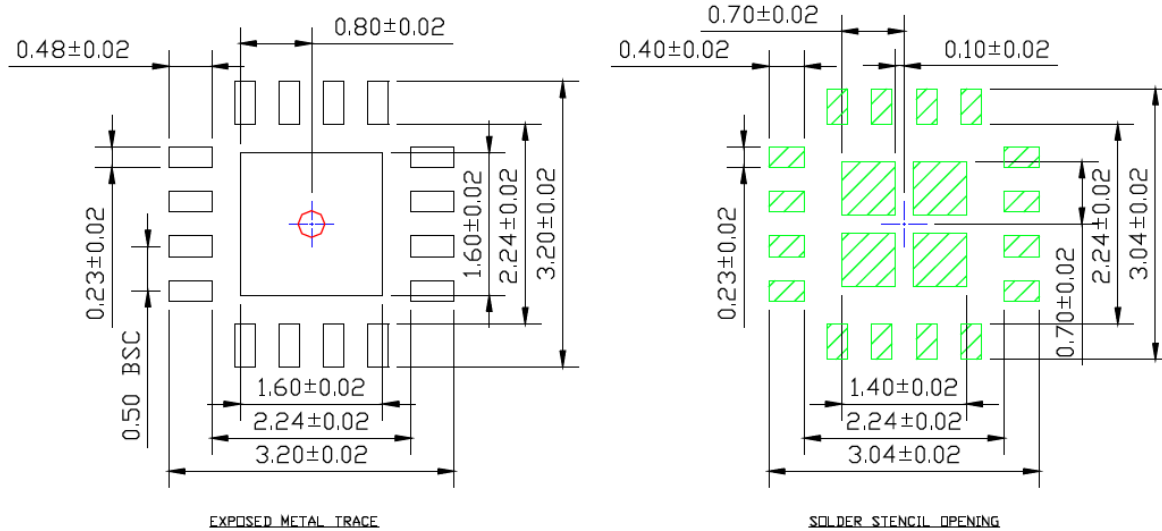
POD-Land Pattern drawing # QFN33-16LD-PL-1

RECOMMENDED LAND PATTERN

NOTE: 4, 5



STACKED-UP



Note: For the most current package drawings, please see the Microchip Packaging Specification located at <http://www.microchip.com/packaging>.

APPENDIX A: REVISION HISTORY

Revision A (March 2020)

- Converted Micrel document SY56017R to Microchip data sheet template DS20006320A.
- Minor text changes throughout.

SY56017R

NOTES:

PRODUCT IDENTIFICATION SYSTEM

To order or obtain information, e.g., on pricing or delivery, contact your local Microchip representative or sales office.

<u>PART NO.</u>	X	X	X	XX
Device	Supply Voltage	Package	Temperature Range	Tape and Reel
Device:	SY56017:	Low Voltage 1.2V/1.8V/2.5V	CML 2:1 MUX	6.4 Gbps with Equalization
Supply Voltage:	R	=	2.5V	
Package:	M	=	3 mm x 3 mm QFN-16	
Temperature Range:	G	=	-40°C to 85°C (NiPdAu Lead-Free)	
Special Processing:	<blank>	=	100/Tube	
	TR	=	1,000/Reel	

Examples:

a) SY56017RMG: SY56017, 2.5V Supply Voltage, 3 mm x 3 mm 16-Lead QFN, -40°C to +85°C Temperature Range, 100/Tube

b) SY56017RMG-TR: SY56017, 2.5V Supply Voltage, 3 mm x 3 mm 16-Lead QFN, -40°C to +85°C Temperature Range, 1,000/Reel

Note 1: Tape and Reel identifier only appears in the catalog part number description. This identifier is used for ordering purposes and is not printed on the device package. Check with your Microchip Sales Office for package availability with the Tape and Reel option.

SY56017R

NOTES:

Note the following details of the code protection feature on Microchip devices:

- Microchip products meet the specification contained in their particular Microchip Data Sheet.
- Microchip believes that its family of products is one of the most secure families of its kind on the market today, when used in the intended manner and under normal conditions.
- There are dishonest and possibly illegal methods used to breach the code protection feature. All of these methods, to our knowledge, require using the Microchip products in a manner outside the operating specifications contained in Microchip's Data Sheets. Most likely, the person doing so is engaged in theft of intellectual property.
- Microchip is willing to work with the customer who is concerned about the integrity of their code.
- Neither Microchip nor any other semiconductor manufacturer can guarantee the security of their code. Code protection does not mean that we are guaranteeing the product as “unbreakable.”

Code protection is constantly evolving. We at Microchip are committed to continuously improving the code protection features of our products. Attempts to break Microchip's code protection feature may be a violation of the Digital Millennium Copyright Act. If such acts allow unauthorized access to your software or other copyrighted work, you may have a right to sue for relief under that Act.

Information contained in this publication regarding device applications and the like is provided only for your convenience and may be superseded by updates. It is your responsibility to ensure that your application meets with your specifications. MICROCHIP MAKES NO REPRESENTATIONS OR WARRANTIES OF ANY KIND WHETHER EXPRESS OR IMPLIED, WRITTEN OR ORAL, STATUTORY OR OTHERWISE, RELATED TO THE INFORMATION, INCLUDING BUT NOT LIMITED TO ITS CONDITION, QUALITY, PERFORMANCE, MERCHANTABILITY OR FITNESS FOR PURPOSE. Microchip disclaims all liability arising from this information and its use. Use of Microchip devices in life support and/or safety applications is entirely at the buyer's risk, and the buyer agrees to defend, indemnify and hold harmless Microchip from any and all damages, claims, suits, or expenses resulting from such use. No licenses are conveyed, implicitly or otherwise, under any Microchip intellectual property rights unless otherwise stated.

Trademarks

The Microchip name and logo, the Microchip logo, Adaptec, AnyRate, AVR, AVR logo, AVR Freaks, BesTime, BitCloud, chipKIT, chipKIT logo, CryptoMemory, CryptoRF, dsPIC, FlashFlex, flexPWR, HELDO, IGLOO, JukeBlox, KeeLoq, Klear, LANCheck, LinkMD, maXStylus, maXTouch, MediaLB, megaAVR, Microsemi, Microsemi logo, MOST, MOST logo, MPLAB, OptoLyzer, PackeTime, PIC, picoPower, PICSTART, PIC32 logo, PolarFire, Prochip Designer, QTouch, SAM-BA, SenGenuity, SpyNIC, SST, SST Logo, SuperFlash, Symmetricom, SyncServer, Tachyon, TempTrackr, TimeSource, tinyAVR, UNI/O, Vectron, and XMEGA are registered trademarks of Microchip Technology Incorporated in the U.S.A. and other countries.

APT, ClockWorks, The Embedded Control Solutions Company, EtherSynch, FlashTec, Hyper Speed Control, HyperLight Load, IntelliMOS, Libero, motorBench, mTouch, Powermite 3, Precision Edge, ProASIC, ProASIC Plus, ProASIC Plus logo, Quiet-Wire, SmartFusion, SyncWorld, Temux, TimeCesium, TimeHub, TimePictra, TimeProvider, Vite, WinPath, and ZL are registered trademarks of Microchip Technology Incorporated in the U.S.A.

Adjacent Key Suppression, AKS, Analog-for-the-Digital Age, Any Capacitor, AnyIn, AnyOut, BlueSky, BodyCom, CodeGuard, CryptoAuthentication, CryptoAutomotive, CryptoCompanion, CryptoController, dsPICDEM, dsPICDEM.net, Dynamic Average Matching, DAM, ECAN, EtherGREEN, In-Circuit Serial Programming, ICSP, INICnet, Inter-Chip Connectivity, JitterBlocker, KlearNet, KlearNet logo, memBrain, Mindi, MiWi, MPASM, MPF, MPLAB Certified logo, MPLIB, MPLINK, MultiTRAK, NetDetach, Omniscient Code Generation, PICDEM, PICDEM.net, PICKit, PICtail, PowerSmart, PureSilicon, QMatrix, REAL ICE, Ripple Blocker, SAM-ICE, Serial Quad I/O, SMART-I.S., SQI, SuperSwitcher, SuperSwitcher II, Total Endurance, TSHARC, USBCheck, VariSense, ViewSpan, WiperLock, Wireless DNA, and ZENA are trademarks of Microchip Technology Incorporated in the U.S.A. and other countries.

SQTP is a service mark of Microchip Technology Incorporated in the U.S.A.

The Adaptec logo, Frequency on Demand, Silicon Storage Technology, and Symmcom are registered trademarks of Microchip Technology Inc. in other countries.

GestIC is a registered trademark of Microchip Technology Germany II GmbH & Co. KG, a subsidiary of Microchip Technology Inc., in other countries.

All other trademarks mentioned herein are property of their respective companies.

© 2020, Microchip Technology Incorporated, All Rights Reserved.

ISBN: 978-1-5224-5816-6

For information regarding Microchip's Quality Management Systems, please visit www.microchip.com/quality.



MICROCHIP

Worldwide Sales and Service

AMERICAS

Corporate Office
2355 West Chandler Blvd.
Chandler, AZ 85224-6199
Tel: 480-792-7200
Fax: 480-792-7277
Technical Support:
<http://www.microchip.com/support>
Web Address:
www.microchip.com

Atlanta

Duluth, GA
Tel: 678-957-9614
Fax: 678-957-1455

Austin, TX

Tel: 512-257-3370

Boston

Westborough, MA
Tel: 774-760-0087
Fax: 774-760-0088

Chicago

Itasca, IL
Tel: 630-285-0071
Fax: 630-285-0075

Dallas

Addison, TX
Tel: 972-818-7423
Fax: 972-818-2924

Detroit

Novi, MI
Tel: 248-848-4000

Houston, TX

Tel: 281-894-5983

Indianapolis

Noblesville, IN
Tel: 317-773-8323
Fax: 317-773-5453
Tel: 317-536-2380

Los Angeles

Mission Viejo, CA
Tel: 949-462-9523
Fax: 949-462-9608
Tel: 951-273-7800

Raleigh, NC

Tel: 919-844-7510

New York, NY

Tel: 631-435-6000

San Jose, CA

Tel: 408-735-9110
Tel: 408-436-4270

Canada - Toronto

Tel: 905-695-1980
Fax: 905-695-2078

ASIA/PACIFIC

Australia - Sydney
Tel: 61-2-9868-6733

China - Beijing
Tel: 86-10-8569-7000

China - Chengdu
Tel: 86-28-8665-5511

China - Chongqing
Tel: 86-23-8980-9588

China - Dongguan
Tel: 86-769-8702-9880

China - Guangzhou
Tel: 86-20-8755-8029

China - Hangzhou
Tel: 86-571-8792-8115

China - Hong Kong SAR
Tel: 852-2943-5100

China - Nanjing
Tel: 86-25-8473-2460

China - Qingdao
Tel: 86-532-8502-7355

China - Shanghai
Tel: 86-21-3326-8000

China - Shenyang
Tel: 86-24-2334-2829

China - Shenzhen
Tel: 86-755-8864-2200

China - Suzhou
Tel: 86-186-6233-1526

China - Wuhan
Tel: 86-27-5980-5300

China - Xian
Tel: 86-29-8833-7252

China - Xiamen
Tel: 86-592-2388138

China - Zhuhai
Tel: 86-756-3210040

ASIA/PACIFIC

India - Bangalore
Tel: 91-80-3090-4444

India - New Delhi
Tel: 91-11-4160-8631

India - Pune
Tel: 91-20-4121-0141

Japan - Osaka
Tel: 81-6-6152-7160

Japan - Tokyo
Tel: 81-3-6880-3770

Korea - Daegu
Tel: 82-53-744-4301

Korea - Seoul
Tel: 82-2-554-7200

Malaysia - Kuala Lumpur
Tel: 60-3-7651-7906

Malaysia - Penang
Tel: 60-4-227-8870

Philippines - Manila
Tel: 63-2-634-9065

Singapore
Tel: 65-6334-8870

Taiwan - Hsin Chu
Tel: 886-3-577-8366

Taiwan - Kaohsiung
Tel: 886-7-213-7830

Taiwan - Taipei
Tel: 886-2-2508-8600

Thailand - Bangkok
Tel: 66-2-694-1351

Vietnam - Ho Chi Minh
Tel: 84-28-5448-2100

EUROPE

Austria - Wels
Tel: 43-7242-2244-39
Fax: 43-7242-2244-393

Denmark - Copenhagen
Tel: 45-4485-5910
Fax: 45-4485-2829

Finland - Espoo
Tel: 358-9-4520-820

France - Paris
Tel: 33-1-69-53-63-20
Fax: 33-1-69-30-90-79

Germany - Garching
Tel: 49-8931-9700

Germany - Haan
Tel: 49-2129-3766400

Germany - Heilbronn
Tel: 49-7131-72400

Germany - Karlsruhe
Tel: 49-721-625370

Germany - Munich
Tel: 49-89-627-144-0
Fax: 49-89-627-144-44

Germany - Rosenheim
Tel: 49-8031-354-560

Israel - Ra'anana
Tel: 972-9-744-7705

Italy - Milan
Tel: 39-0331-742611
Fax: 39-0331-466781

Italy - Padova
Tel: 39-049-7625286

Netherlands - Drunen
Tel: 31-416-690399
Fax: 31-416-690340

Norway - Trondheim
Tel: 47-7288-4388

Poland - Warsaw
Tel: 48-22-3325737

Romania - Bucharest
Tel: 40-21-407-87-50

Spain - Madrid
Tel: 34-91-708-08-90
Fax: 34-91-708-08-91

Sweden - Gothenberg
Tel: 46-31-704-60-40

Sweden - Stockholm
Tel: 46-8-5090-4654

UK - Wokingham
Tel: 44-118-921-5800
Fax: 44-118-921-5820

OUR CERTIFICATE

DiGi provide top-quality products and perfect service for customer worldwide through standardization, technological innovation and continuous improvement. DiGi through third-party certification, we stricly control the quality of products and services. Welcome your RFQ to

Email: Info@DiGi-Electronics.com



Tel: +00 852-30501935

RFQ Email: Info@DiGi-Electronics.com

DiGi is a global authorized distributor of electronic components.