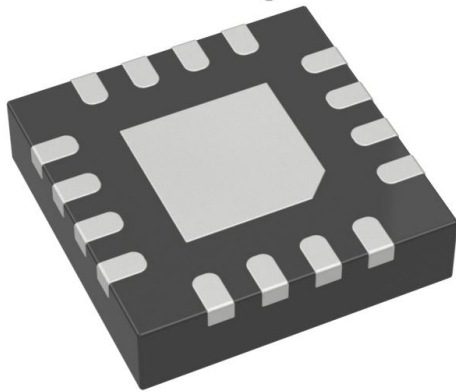


# SY58607UMG Datasheet

[www.digi-electronics.com](http://www.digi-electronics.com)



<https://www.DiGi-Electronics.com>

DiGi Electronics Part Number	SY58607UMG-DG
Manufacturer	<a href="#">Microchip Technology</a>
Manufacturer Product Number	SY58607UMG
Description	IC CLK BUFFER 1:2 3GHZ 16MLF
Detailed Description	Clock Fanout Buffer (Distribution) IC 1:2 3 GHz 16-V FQFN Exposed Pad, 16-MLF®



Tel: +00 852-30501935

RFQ Email: [Info@DiGi-Electronics.com](mailto:Info@DiGi-Electronics.com)

DiGi is a global authorized distributor of electronic components.

## Purchase and inquiry

Manufacturer Product Number:

SY58607UMG

Series:

Precision Edge®

Type:

Fanout Buffer (Distribution)

Ratio - Input:Output:

1:2

Input:

CML, LVDS, LVPECL

Frequency - Max:

3 GHz

Operating Temperature:

-40°C ~ 85°C

Package / Case:

16-VFQFN Exposed Pad, 16-MLF®

Base Product Number:

SY58607

Manufacturer:

Microchip Technology

Product Status:

Active

Number of Circuits:

1

Differential - Input:Output:

Yes/Yes

Output:

LVPECL

Voltage - Supply:

2.375V ~ 3.6V

Mounting Type:

Surface Mount

Supplier Device Package:

16-MLF® (3x3)

## Environmental & Export classification

RoHS Status:

ROHS3 Compliant

REACH Status:

REACH Unaffected

HTSUS:

8542.39.0001

Moisture Sensitivity Level (MSL):

2 (1 Year)

ECCN:

5A991B1





# SY58607U

## 3.2 Gbps Precision, 1:2 LVPECL Fanout Buffer with Internal Termination and Fail Safe Input

### Features

- Precision 1:2, 800 mV LVPECL Fanout Buffer
- Guaranteed AC Performance over Temperature and Voltage:
  - DC-to >3.2 Gbps Throughput
  - <350 ps Propagation Delay (IN-to-Q)
  - <20 ps Within-Device Skew
  - <110 ps Rise/Fall Times
- Fail Safe Input
  - Prevents Outputs From Oscillating When Input is Invalid
- Ultra-Low Jitter Design
  - 41 fs Additive Phase Jitter
- High-Speed LVPECL Outputs
- 2.5V  $\pm$ 5% or 3.3V  $\pm$ 10% Power Supply Operation
- Industrial Temperature Range:  $-40^{\circ}\text{C}$  to  $+85^{\circ}\text{C}$
- Available in 16-lead (3 mm x 3 mm) QFN Package

### Applications

- All SONET Clock and Data Distribution
- Fibre Channel Clock and Data Distribution
- Gigabit Ethernet Clock And Data Distribution
- Backplane Distribution

### Markets

- Storage
- ATE
- Test and Measurement
- Enterprise Networking Equipment
- High-End Servers
- Access
- Metro Area Network Equipment

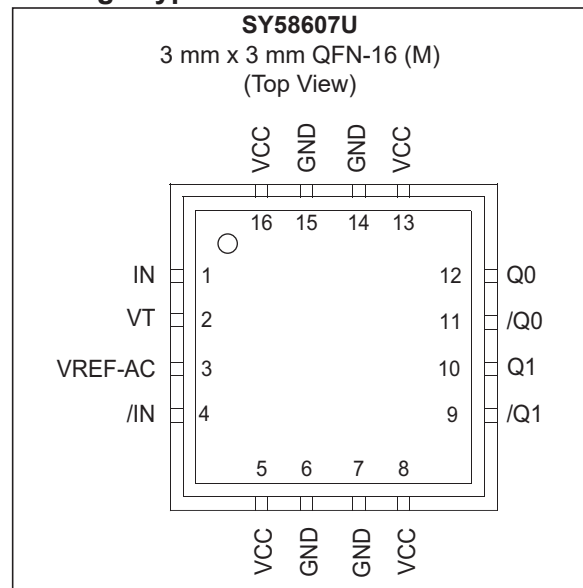
### General Description

The SY58607U is a 2.5V/3.3V, high-speed, fully differential 1:2 LVPECL fanout buffer optimized to provide two identical output copies with less than 20 ps of skew. The SY58607U can process clock signals as fast as 2.5 GHz or data patterns up to 3.2 Gbps.

The differential input includes Microchip's unique, 3-lead input termination architecture that interfaces to LVPECL, LVDS, or CML differential signals, (AC- or DC-coupled) as small as 100 mV (200 mV<sub>PP</sub>) without any level-shifting or termination resistor networks in the signal path. For AC-coupled input interface applications, an integrated voltage reference (VREF-AC) is provided to bias the VT pin. The outputs are 800 mV LVPECL, with extremely fast rise/fall times guaranteed to be less than 110 ps.

The SY58607U operates from a 2.5V  $\pm$ 5% supply or 3.3V  $\pm$ 10% supply and is guaranteed over the full industrial temperature range ( $-40^{\circ}\text{C}$  to  $+85^{\circ}\text{C}$ ). For applications that require CML or LVDS outputs, consider Microchip's SY58606U and SY58608U, 1:2 fanout buffers with 400 mV and 325 mV output swings respectively. The SY58607U is part of Microchip's high-speed, Precision Edge<sup>®</sup> product line.

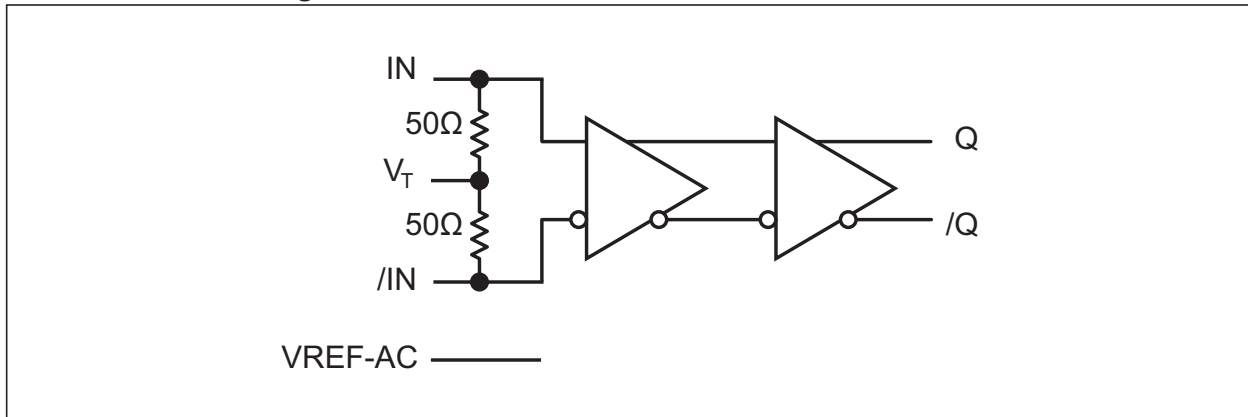
### Package Type



United States Patent No. RE44,134

# SY58607U

## Functional Block Diagram



## 1.0 ELECTRICAL CHARACTERISTICS

### Absolute Maximum Ratings †

Supply Voltage ( $V_{CC}$ ) .....	-0.5V to +4.0V
Input Voltage ( $V_{IN}$ ) .....	-0.5V to $V_{CC}$
LVPECL Output Current ( $I_{OUT}$ )	
Continuous .....	50 mA
Surge.....	100 mA
Current ( $I_{VT}$ )	
Source or Sink on VT Pin.....	$\pm 100$ mA
Input Current	
Source or Sink Current on IN, /IN.....	$\pm 50$ mA
Current ( $I_{REF}$ )	
Source or Sink Current on VREF-AC (Note 1) .....	$\pm 1.5$ mA

### Operating Ratings ††

Supply Voltage ( $V_{CC}$ ) .....	+2.375V to +3.60V
-----------------------------------	-------------------

**† Notice:** Permanent device damage may occur if absolute maximum ratings are exceeded. This is a stress rating only and functional operation is not implied at conditions other than those detailed in the operational sections of this data sheet. Exposure to absolute maximum ratings conditions for extended periods may affect device reliability.

**†† Notice:** The data sheet limits are not guaranteed if the device is operated beyond the operating ratings.

**Note 1:** Due to the limited drive capability, use for input of the same package only.

# SY58607U

## DC ELECTRICAL CHARACTERISTICS (Note 1)

**Electrical Characteristics:**  $T_A = -40^{\circ}\text{C}$  to  $+85^{\circ}\text{C}$ , unless otherwise stated.

Parameters	Sym.	Min.	Typ.	Max.	Units	Conditions
Power Supply Voltage Range	$V_{CC}$	2.375	2.5	2.625	V	—
		3.0	3.3	3.6		
Power Supply Current	$I_{CC}$	—	40	60	mA	No load, max. $V_{CC}$
Differential Input Resistance (IN-to-/IN)	$R_{DIFF\_IN}$	90	100	110	$\Omega$	—
Input HIGH Voltage (IN, /IN)	$V_{IH}$	$V_{CC} - 1.6$	—	$V_{CC}$	V	IN, /IN, Note 2
Input LOW Voltage (IN, /IN)	$V_{IL}$	0	—	$V_{IH} - 0.1$	V	IN, /IN
Input Voltage Swing (IN, /IN)	$V_{IN}$	0.1	—	1.7	V	See Figure 5-5, Note 3
Differential Input Voltage Swing ( IN - /IN )	$V_{DIFF\_IN}$	0.2	—	—	V	See Figure 5-6
Input Voltage Threshold that Triggers FSI	$V_{IN\_FSI}$	—	30	100	mV	—
Output Reference Voltage	$V_{REF\_AC}$	$V_{CC} - 1.3$	$V_{CC} - 1.2$	$V_{CC} - 1.1$	V	—
Voltage from Input to VT	$V_{T\_IN}$	—	—	1.28	V	—

**Note 1:** The circuit is designed to meet the DC specifications shown in the above table after thermal equilibrium has been established.

**2:**  $V_{IH(MIN)}$  not lower than 1.2V.

**3:**  $V_{IN(MAX)}$  is specified when VT is floating.

## LVPECL OUTPUTS DC ELECTRICAL CHARACTERISTICS (Note 1)

**Electrical Characteristics:**  $V_{CC} = +2.5\text{V} \pm 5\%$  or  $+3.3\text{V} \pm 10\%$ ,  $R_L = 50\Omega$  to  $V_{CC} - 2\text{V}$ ;  $T_A = -40^{\circ}\text{C}$  to  $+85^{\circ}\text{C}$ , unless otherwise stated.

Parameter	Symbol	Min.	Typ.	Max.	Units	Condition
Output High Voltage	$V_{OH}$	$V_{CC} - 1.145$	—	$V_{CC} - 0.895$	V	—
Output Low Voltage	$V_{OL}$	$V_{CC} - 1.945$	—	$V_{CC} - 1.695$	V	—
Output Voltage Swing	$V_{OUT}$	550	800	950	mV	See Figure 5-5
Differential Output Voltage Swing	$V_{DIFF\_OUT}$	1100	1600	—	mV	See Figure 5-6

**Note 1:** The circuit is designed to meet the DC specifications shown in the above table after thermal equilibrium has been established.

**AC ELECTRICAL CHARACTERISTICS**

**Electrical Characteristics:**  $V_{CC} = +2.5V \pm 5\%$  or  $+3.3V \pm 10\%$ ,  $R_L = 50\Omega$  to  $V_{CC} - 2V$ ; Input  $t_r/t_f \leq 300$  ps;  
 $T_A = -40^\circ\text{C}$  to  $+85^\circ\text{C}$ , unless otherwise stated.

Parameter	Symbol	Min.	Typ.	Max.	Units	Condition
Maximum Frequency	$f_{MAX}$	3.2	4.25	—	Gbps	NRZ (Data)
		2.5	3.0	—	GHz	$V_{OUT} > 400$ mV (Clock)
Propagation Delay IN-to-Q	$t_{PD}$	180	300	450	ps	$V_{IN}: 100$ mV - 200 mV
		150	230	350	ps	$V_{IN}: 200$ mV - 800 mV
Within Device Skew	$t_{SKEW}$	—	4	20	ps	Note 1
Part-to-Part Skew		—	—	135	ps	Note 2
RMS Phase Jitter	$t_{JITTER}$	—	47	—	fs	622 MHz Integration Range: 12 kHz to 20 MHz
		—	159	—		156.25 MHz Integration Range: 12 kHz to 20 MHz
		—	290	—		100 MHz Integration Range: 12 kHz to 20 MHz
Additive Phase Jitter		—	41	—	fs	622 MHz Integration Range: 12 kHz to 20 MHz
		—	152	—		156.25 MHz Integration Range: 12 kHz to 20 MHz
		—	282	—		100 MHz Integration Range: 12 kHz to 20 MHz
Output Rise/Fall Time (20% to 80%)	$t_r, t_f$	40	75	110	ps	At full output swing
Duty Cycle	—	47	—	53	%	Differential I/O

**Note 1:** Within-Device skew is measured between two different outputs under identical input transitions.

**2:** Part-to-Part skew is defined for two parts with identical power supply voltages at the same temperature and no skew at the edges at the respective inputs.

# SY58607U

## TEMPERATURE SPECIFICATIONS

Parameters	Sym.	Min.	Typ.	Max.	Units	Conditions
<b>Temperature Ranges</b>						
Operating Ambient Temperature Range	$T_A$	-40	—	+85	°C	—
Maximum Operating Junction Temperature	$T_J$	—	—	+125	°C	—
Lead Temperature	—	—	—	+260	°C	Soldering, 20 sec.
Storage Temperature Range	$T_S$	-65	—	+150	°C	—
<b>Package Thermal Resistances (Note 1)</b>						
Thermal Resistance, 3x3 QFN-16Ld	$\theta_{JA}$	—	60	—	°C/W	Still-air
	$\psi_{JB}$	—	33	—	°C/W	Junction-to-board

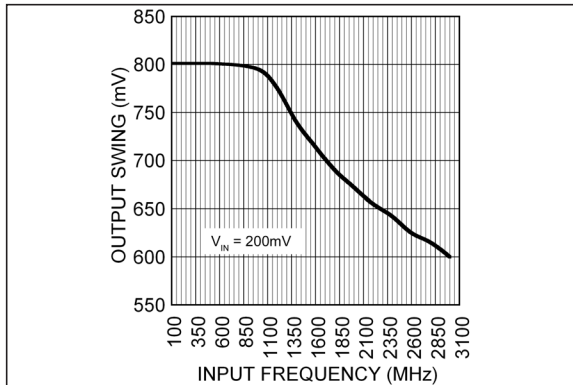
**Note 1:** Package thermal resistance assumes exposed pad is soldered (or equivalent) to the device's most negative potential on the PCB.  $\psi_{JB}$  and  $\theta_{JA}$  values are determined for a 4-layer board in still-air number, unless otherwise stated.



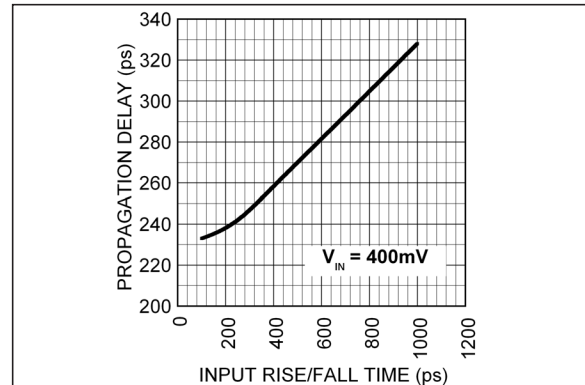
## 2.0 TYPICAL PERFORMANCE CURVES

**Note:** The graphs and tables provided following this note are a statistical summary based on a limited number of samples and are provided for informational purposes only. The performance characteristics listed herein are not tested or guaranteed. In some graphs or tables, the data presented may be outside the specified operating range (e.g., outside specified power supply range) and therefore outside the warranted range.

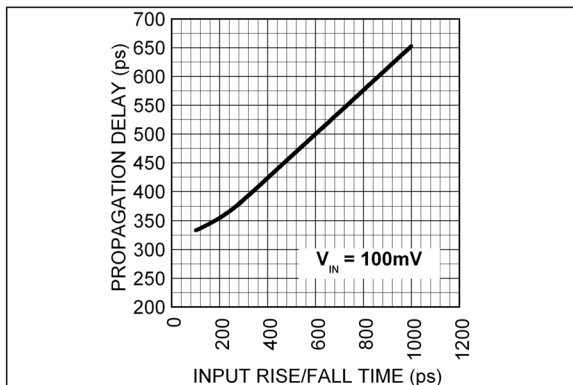
$V_{CC} = 3.3V$ ,  $GND = 0V$ ,  $R_L = 50\Omega$  to  $V_{CC} - 2V$ ,  $T_A = +25^\circ C$ , unless otherwise stated.



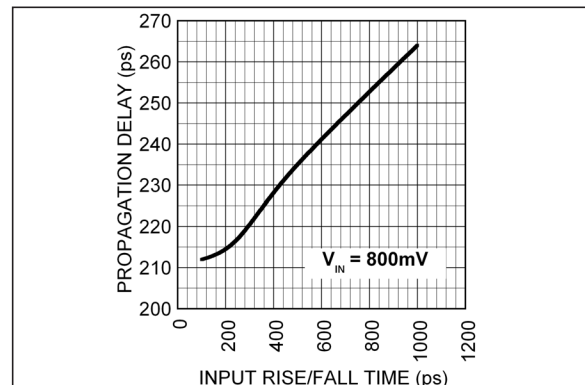
**FIGURE 2-1:** Frequency Response.



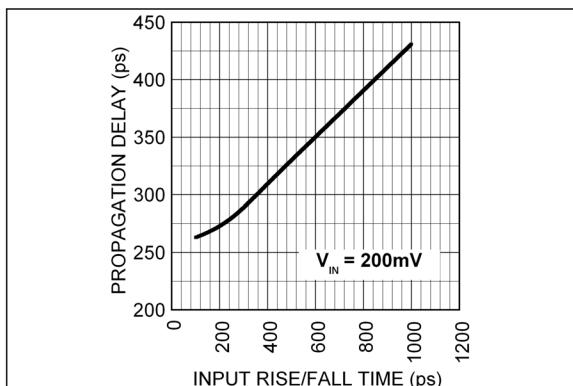
**FIGURE 2-4:** Propagation Delay vs. Input Rise/Fall Time.



**FIGURE 2-2:** Propagation Delay vs. Input Rise/Fall Time.



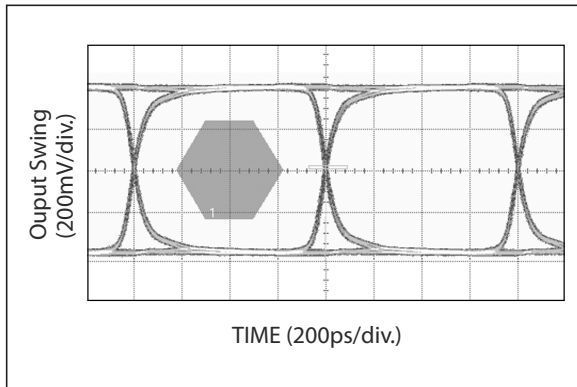
**FIGURE 2-5:** Propagation Delay vs. Input Rise/Fall Time.



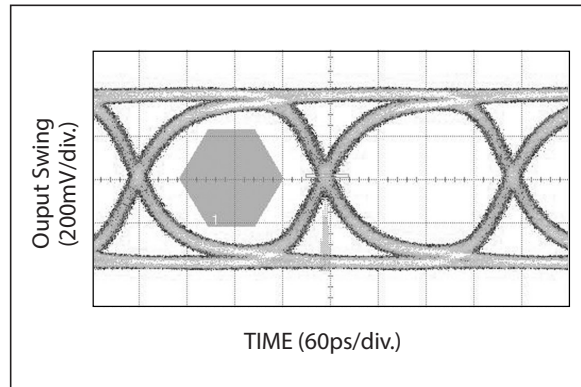
**FIGURE 2-3:** Propagation Delay vs. Input Rise/Fall Time.

# SY58607U

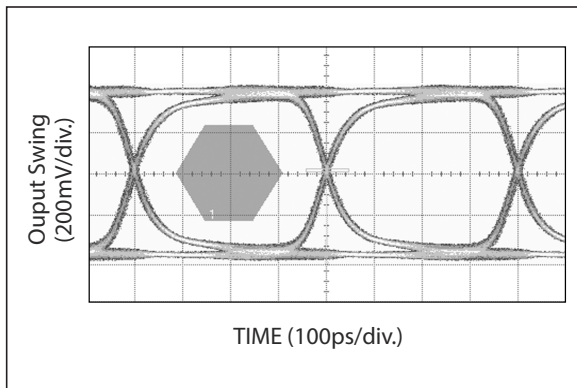
$V_{CC} = 3.3V$ ,  $GND = 0V$ ,  $V_{IN} = 400\text{ mV}$ , Data Pattern:  $2^{23}-1$ ,  $R_L = 50\Omega$  to  $V_{CC} - 2V$ ,  $T_A = +25^\circ\text{C}$ , unless otherwise stated.



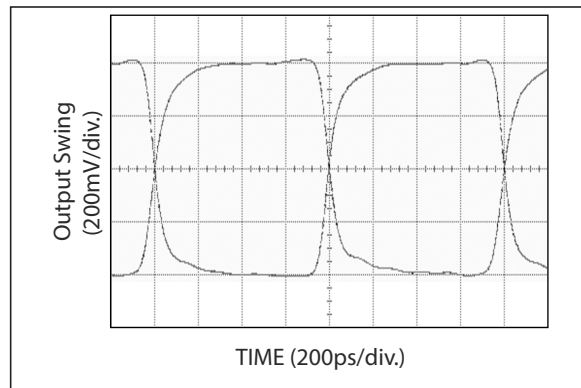
**FIGURE 2-6:** 1.25 Gbps Data.



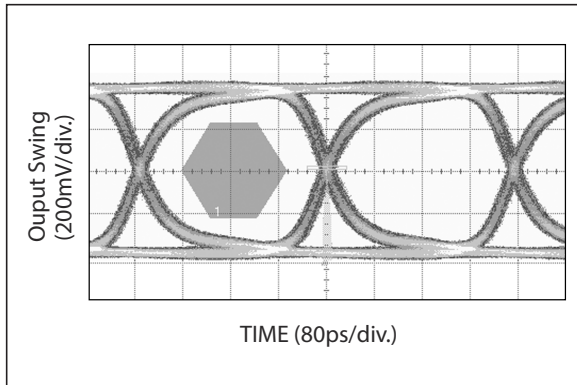
**FIGURE 2-9:** 4.25 Gbps Data.



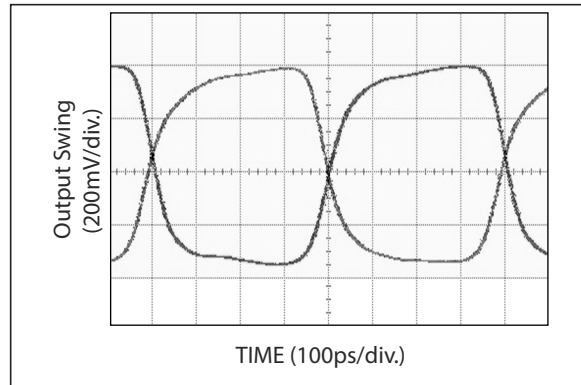
**FIGURE 2-7:** 2.5 Gbps Data.



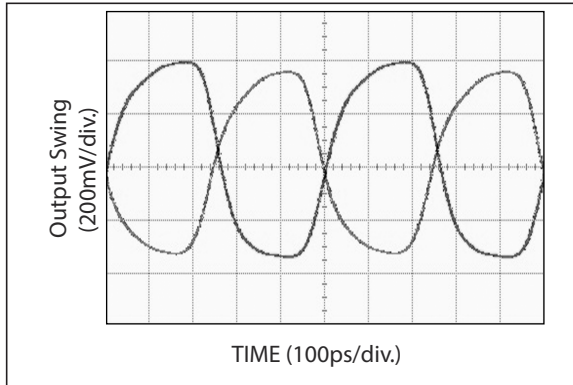
**FIGURE 2-10:** 625 MHz Clock.



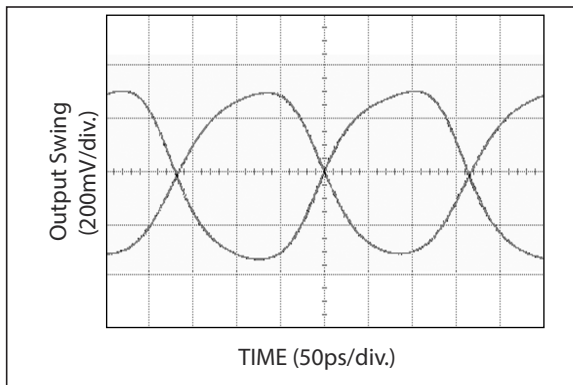
**FIGURE 2-8:** 3.2 Gbps Data.



**FIGURE 2-11:** 1.25 GHz Clock.



**FIGURE 2-12:** 2 GHz Clock.



**FIGURE 2-13:** 3 GHz Clock.

# SY58607U

## 3.0 PHASE NOISE PLOTS

$V_{CC} = +3.3V$ ,  $T_A = +25^\circ C$ .

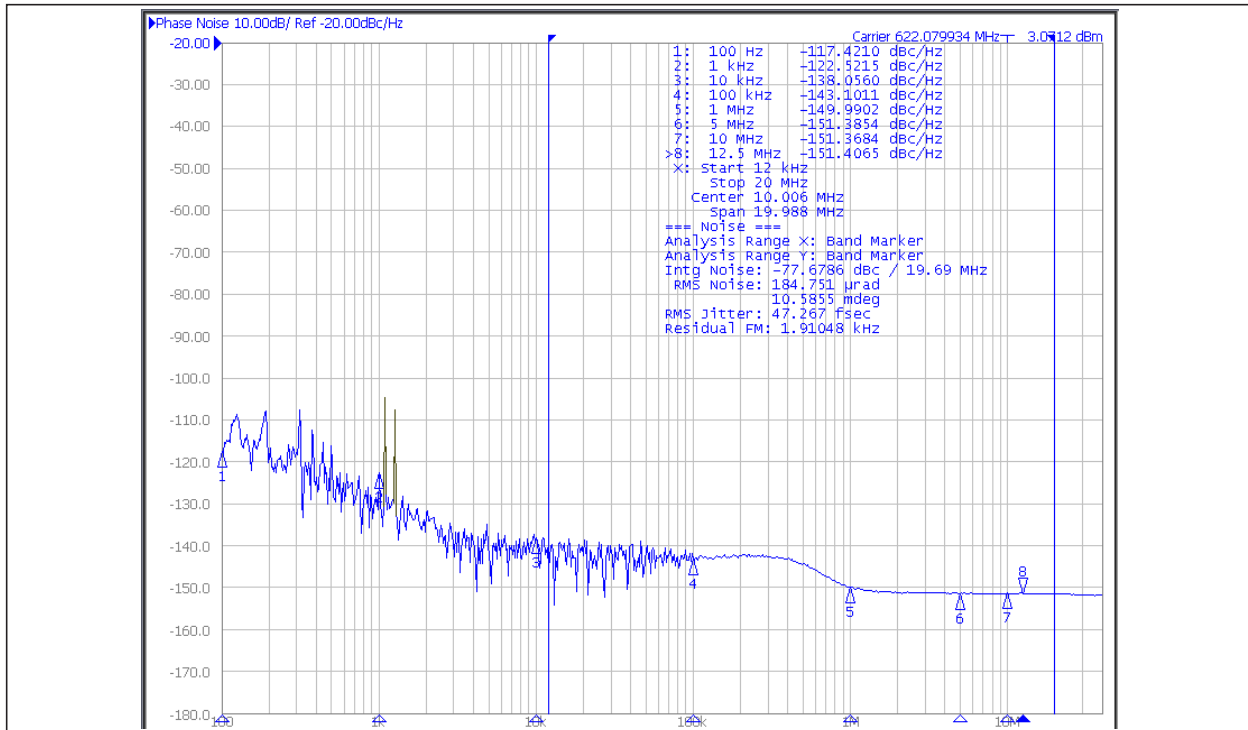


FIGURE 3-1: 622 MHz Phase Jitter, Device.

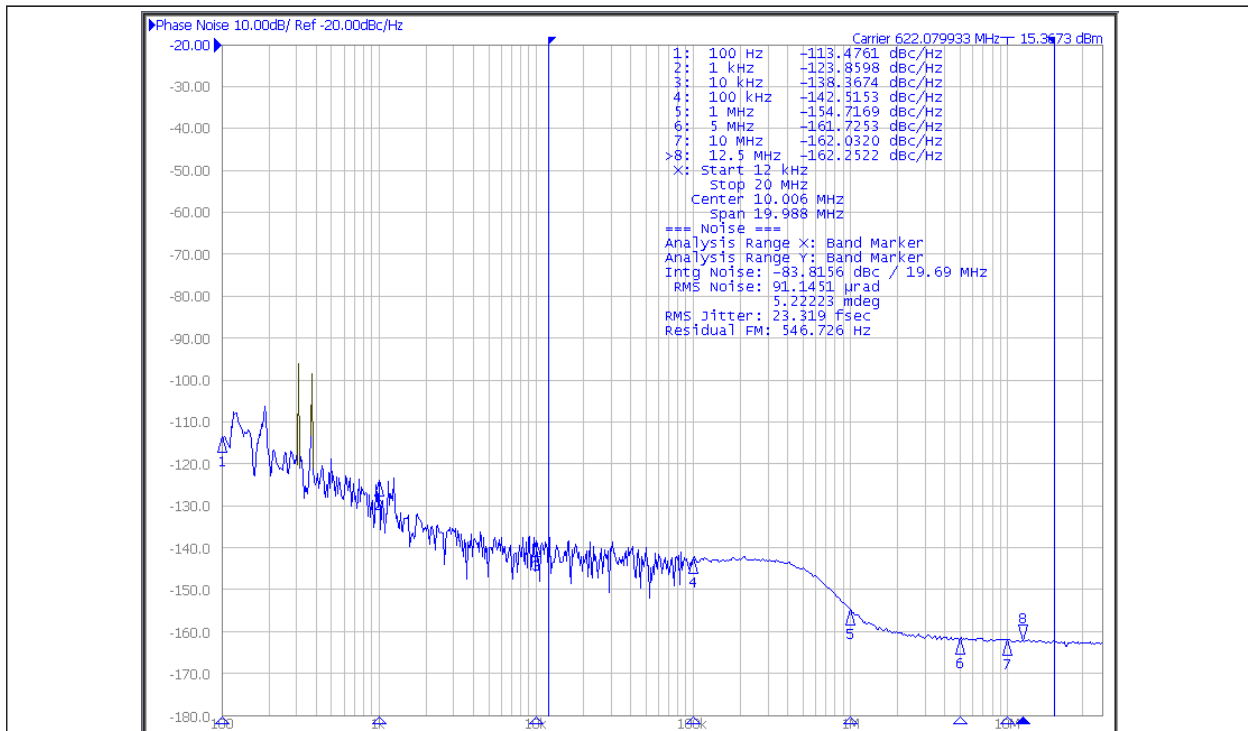
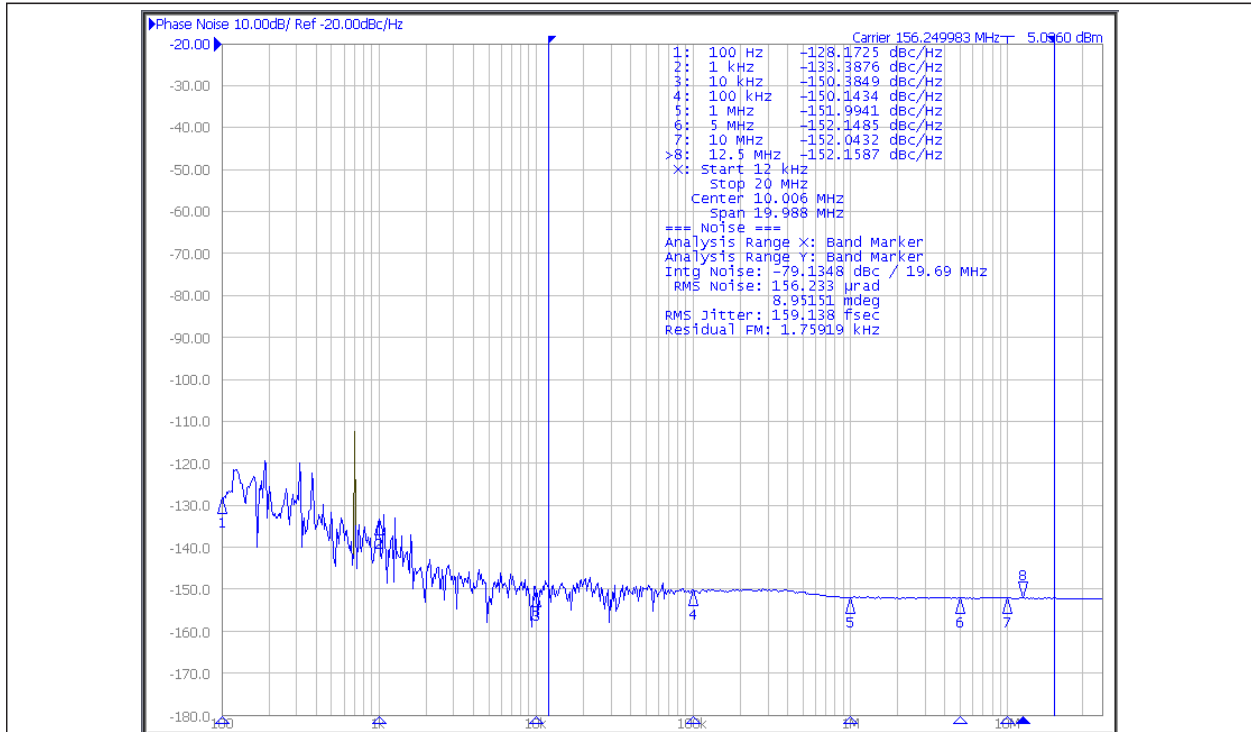
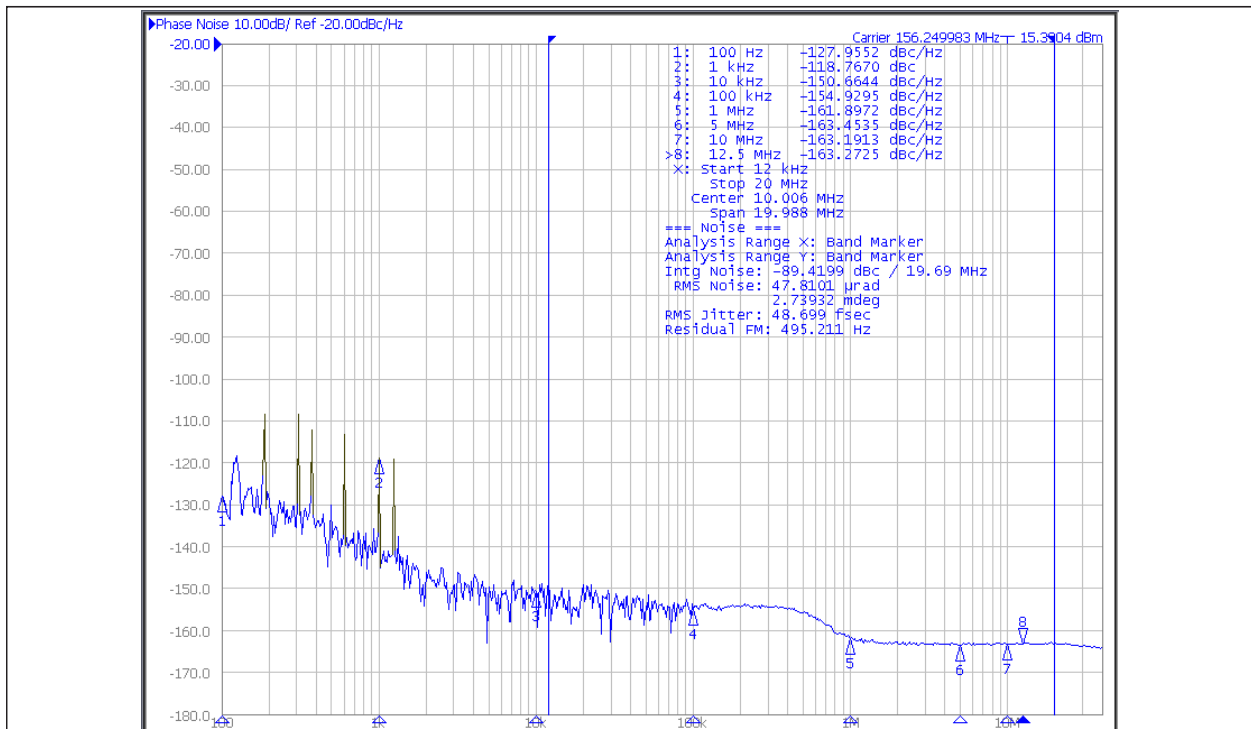


FIGURE 3-2: 622 MHz Phase Jitter, Source.



**FIGURE 3-3:** 156.25 MHz Phase Jitter, Device.



**FIGURE 3-4:** 156.25 MHz Phase Jitter, Source.



# SY58607U

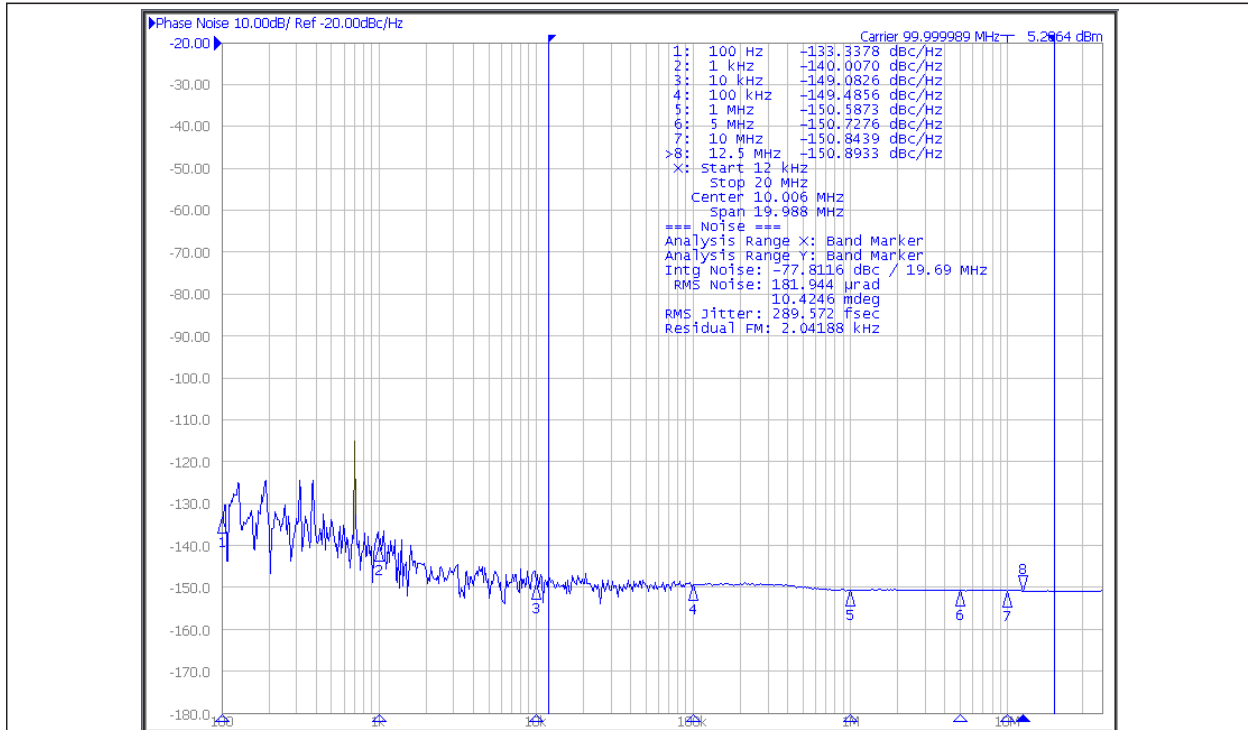


FIGURE 3-5: 100 MHz Phase Jitter, Device.

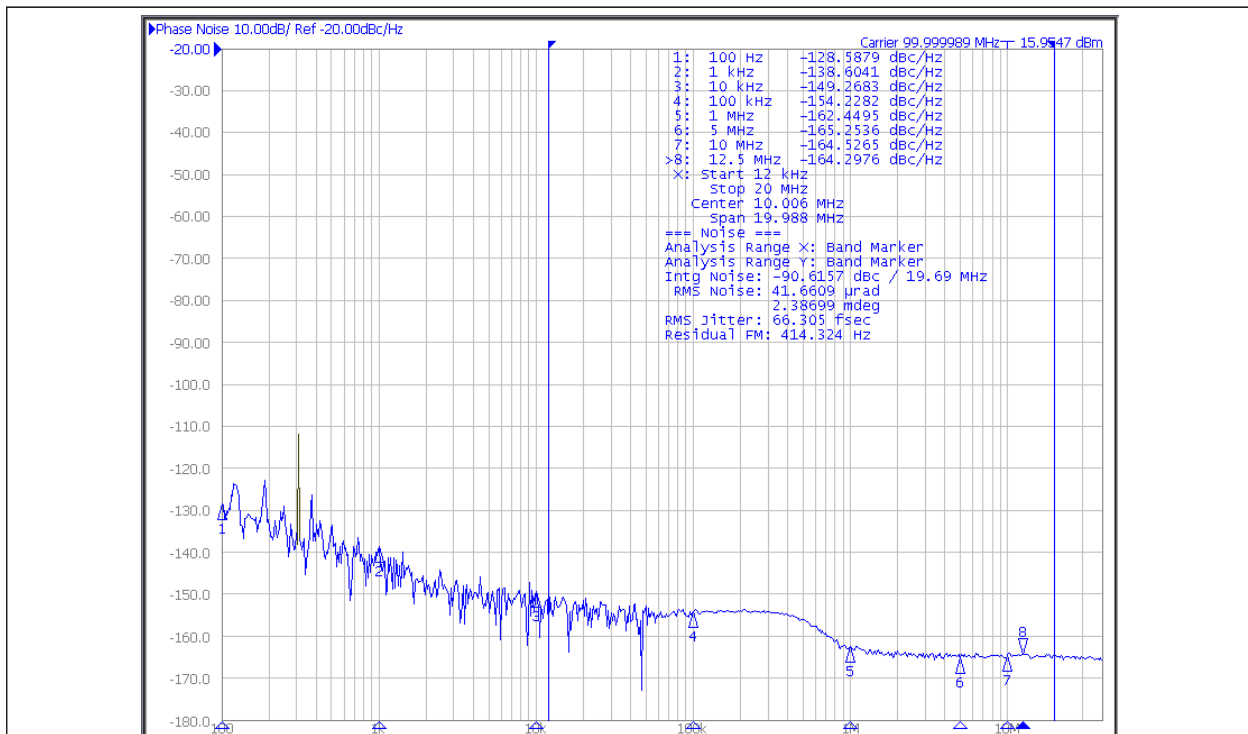


FIGURE 3-6: 100 MHz Phase Jitter, Source.

## 4.0 PIN DESCRIPTIONS

The descriptions of the pins are listed in [Table 4-1](#).

**TABLE 4-1: PIN FUNCTION TABLE**

Pin Number	Symbol	Description
1, 4	IN, /IN	Differential Input: This input pair is the differential signal input to the device. Input accepts DC-coupled differential signals as small as 100 mV (200 mV <sub>PP</sub> ). Each pin of this pair internally terminates with 50Ω to the VT pin. If the input swing falls below a certain threshold (typical 30 mV), the Fail Safe Input (FSI) feature will guarantee a stable output by latching the output to its last valid state. See the <a href="#">Input Interface Applications</a> section.
2	VT	Input Termination Center Tap: Each side of the differential input pair terminates to the VT pin. This pin provides a center-tap to a termination network for maximum interface flexibility. See the <a href="#">Input Interface Applications</a> section.
3	VREF-AC	Reference Voltage: This output biases to $V_{CC} - 1.2V$ . It is used for AC-coupling inputs IN and /IN. Connect VREF-AC directly to the VT pin. Bypass with 0.01 μF low-ESR capacitor to VCC. Maximum sink/source current is ±1.5 mA. See the <a href="#">Input Interface Applications</a> section.
5, 8, 13, 16	VCC	Positive Power Supply: Bypass with 0.1 μF//0.01 μF low-ESR capacitors as close to the VCC pins as possible.
6, 7, 14, 15	GND, Exposed pad	Ground: Exposed pad must be connected to a ground plane that is the same potential as the ground pins.
9, 10 11, 12	/Q1, Q1 /Q0, Q0	LVPECL Differential Output Pairs: Differential buffered copies of the input signal. The output swing is typically 800 mV. Unused output pair may be left floating with no impact on jitter. See the <a href="#">LVPECL Output Termination</a> section.

# SY58607U

## 5.0 FUNCTIONAL DESCRIPTION

### 5.1 Fail-Safe Input (FSI)

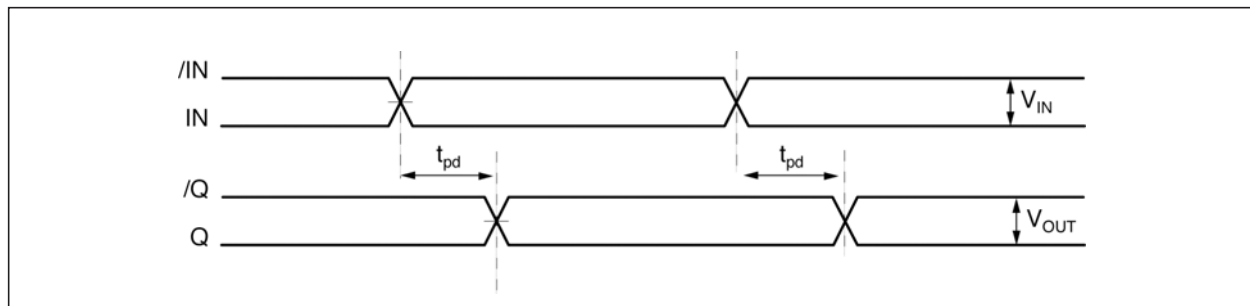
The input includes a special fail-safe circuit to sense the amplitude of the input signal and to latch the outputs when there is no input signal present or when the amplitude of the input signal drops sufficiently below  $100\text{ mV}_{\text{PK}}$  ( $200\text{ mV}_{\text{PP}}$ ), typically  $30\text{ mV}_{\text{PK}}$ . Maximum frequency of SY58607U is limited by the FSI function.

### 5.2 Input Clock Failure Case

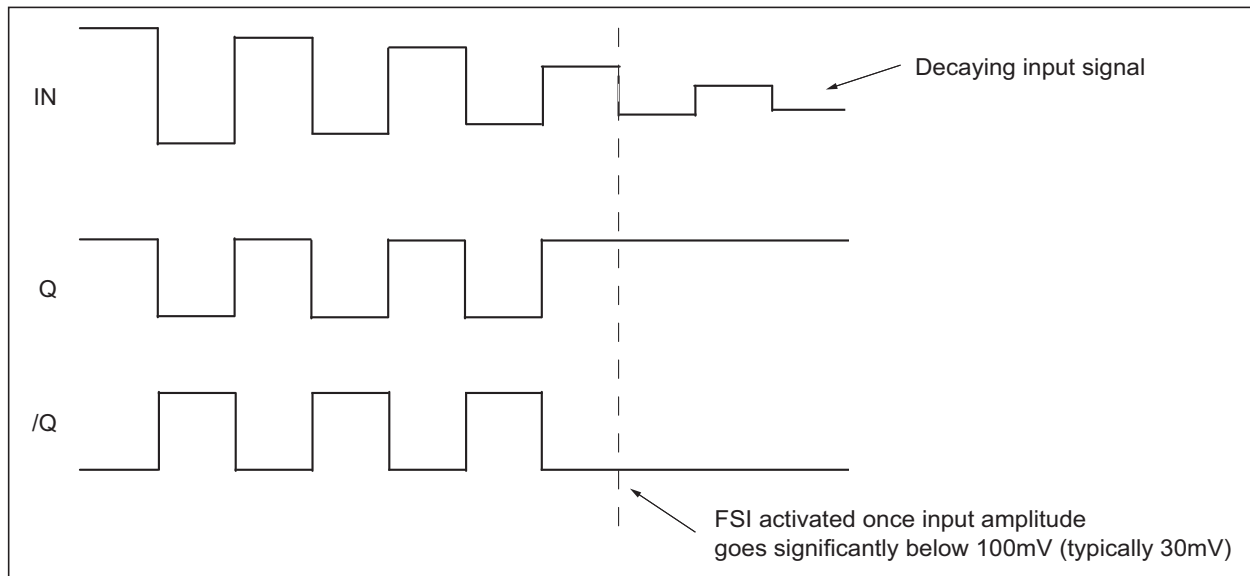
If the input clock fails to a floating, static, or extremely low signal swing, the FSI function will eliminate a metastable condition and guarantee a stable output. No ringing and no undetermined state will occur at the output under these conditions.

Note that the FSI function will not prevent duty cycle distortion in case of a slowly deteriorating (but still toggling) input signal. Due to the FSI function, the propagation delay will depend on rise and fall time of the input signal and on its amplitude. Refer to the [Typical Performance Curves](#) section for detailed information.

## Timing Diagrams

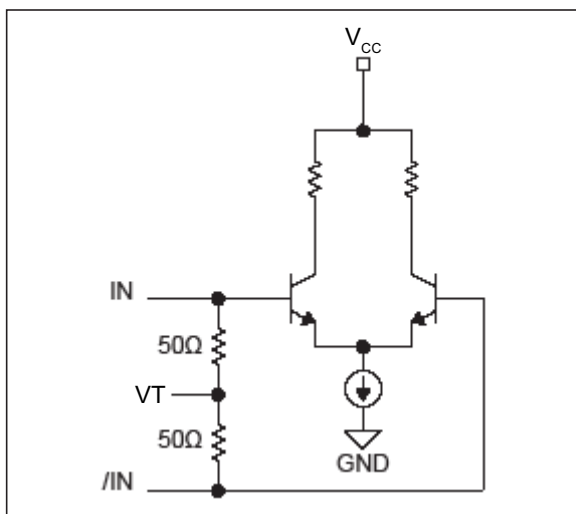


**FIGURE 5-1:** Propagation Delay.

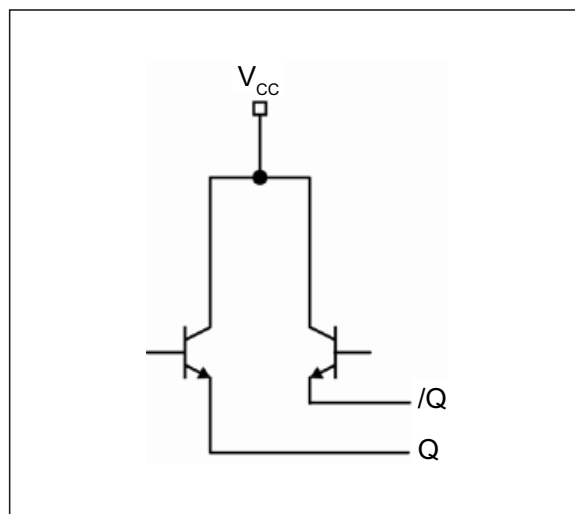


**FIGURE 5-2:** Fail Safe Feature.

## Input and Output Stage

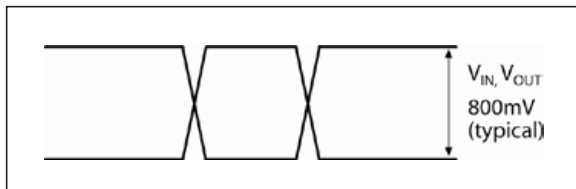


**FIGURE 5-3:** Simplified Differential Input Buffer.

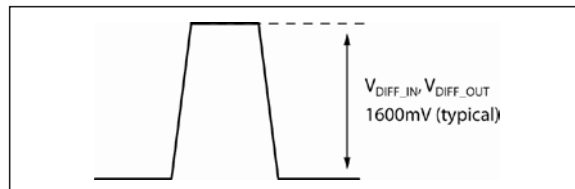


**FIGURE 5-4:** Simplified LVPECL Output Buffer.

## Single-Ended and Differential Swings



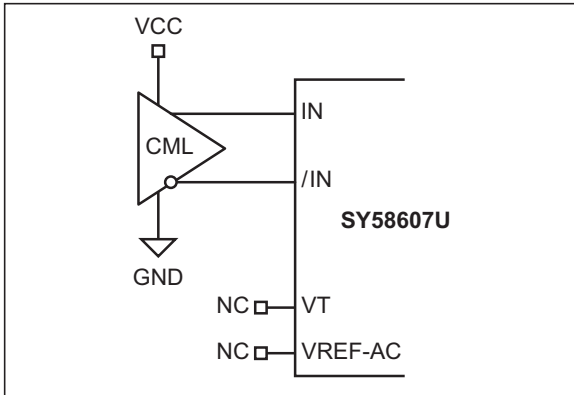
**FIGURE 5-5:** Single-Ended Swing.



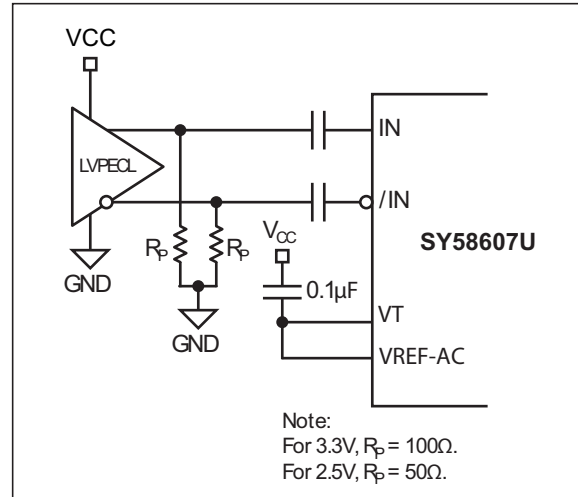
**FIGURE 5-6:** Differential Swing.

# SY58607U

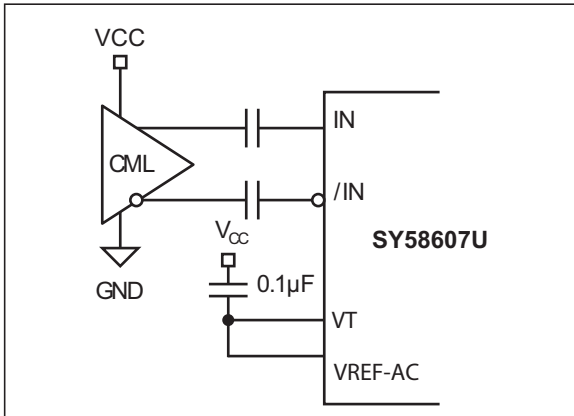
## 6.0 INPUT INTERFACE APPLICATIONS



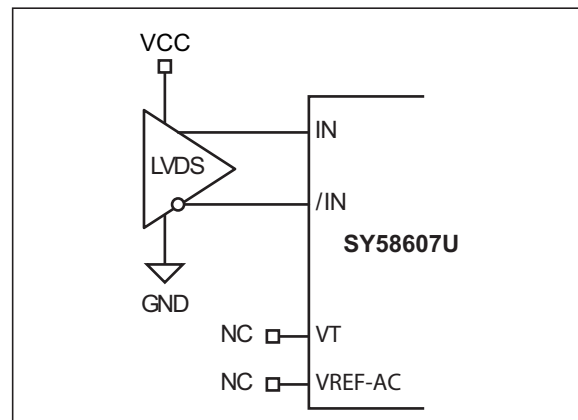
**FIGURE 6-1:** CML Interface (DC-Coupled) May connect VT to VCC.



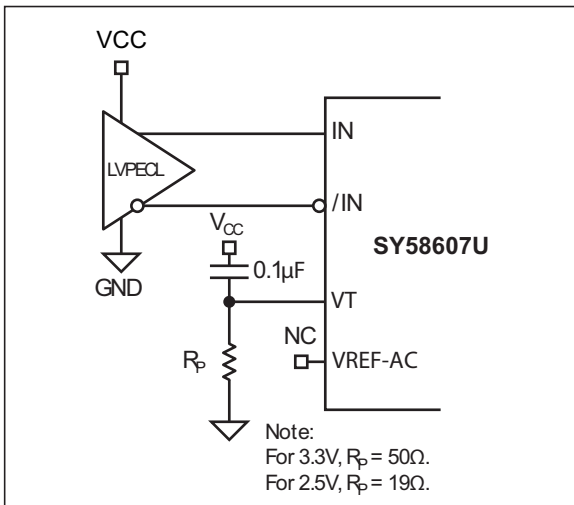
**FIGURE 6-4:** LVPECL Interface (AC-Coupled).



**FIGURE 6-2:** CML Interface (AC-Coupled).



**FIGURE 6-5:** LVDS Interface (DC-Coupled).

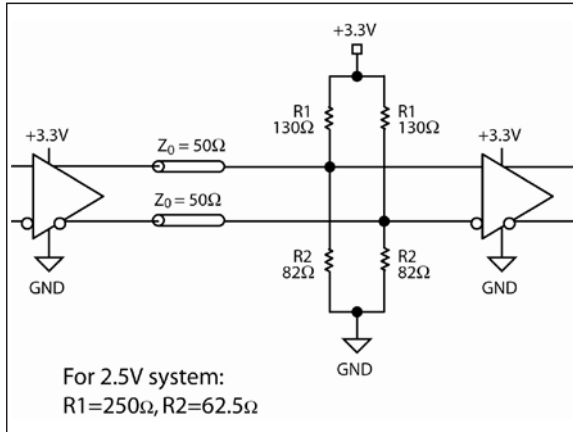


**FIGURE 6-3:** LVPECL Interface (DC-Coupled).

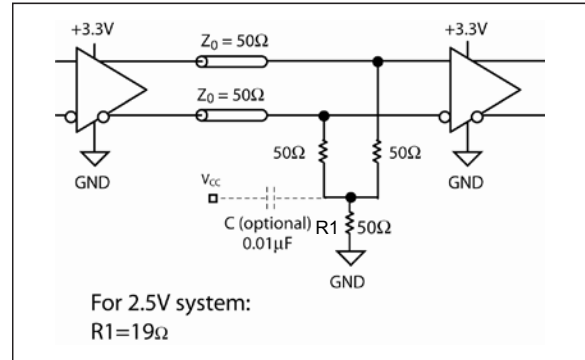


## 7.0 LVPECL OUTPUT TERMINATION

LVPECL outputs have very low output impedance (open emitter), and small signal swing which results in low EMI. LVPECL is ideal for driving 50Ω and 100Ω-controlled impedance transmission lines. There are several techniques in terminating the LVPECL output, as shown in Figure 7-1 and Figure 7-2.



**FIGURE 7-1:** Parallel Termination: Thevenin Equivalent.

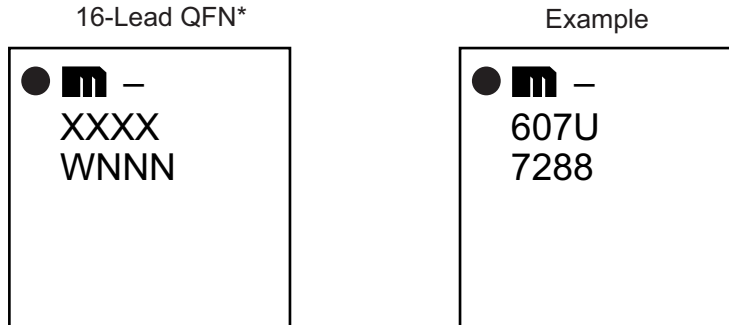


**FIGURE 7-2:** Three-Resistor "Y-Termination".

# SY58607U

## 8.0 PACKAGING INFORMATION

### 8.1 Package Marking Information



<b>Legend:</b>	XX...X	Product code or customer-specific information
	Y	Year code (last digit of calendar year)
	YY	Year code (last 2 digits of calendar year)
	WW	Week code (week of January 1 is week '01')
	NNN	Alphanumeric traceability code
	(e3)	Pb-free JEDEC <sup>®</sup> designator for Matte Tin (Sn)
	*	This package is Pb-free. The Pb-free JEDEC designator ((e3)) can be found on the outer packaging for this package.
	•, ▲, ▼	Pin one index is identified by a dot, delta up, or delta down (triangle mark).
<b>Note:</b>	In the event the full Microchip part number cannot be marked on one line, it will be carried over to the next line, thus limiting the number of available characters for customer-specific information. Package may or may not include the corporate logo.	
	Underbar (¯) and/or Overbar (¯) symbol may not be to scale.	



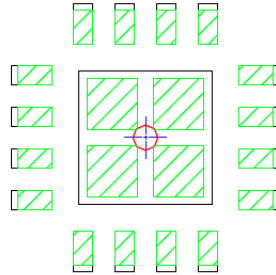
# SY58607U

**Note:** For the most current package drawings, please see the Microchip Packaging Specification located at <http://www.microchip.com/packaging>

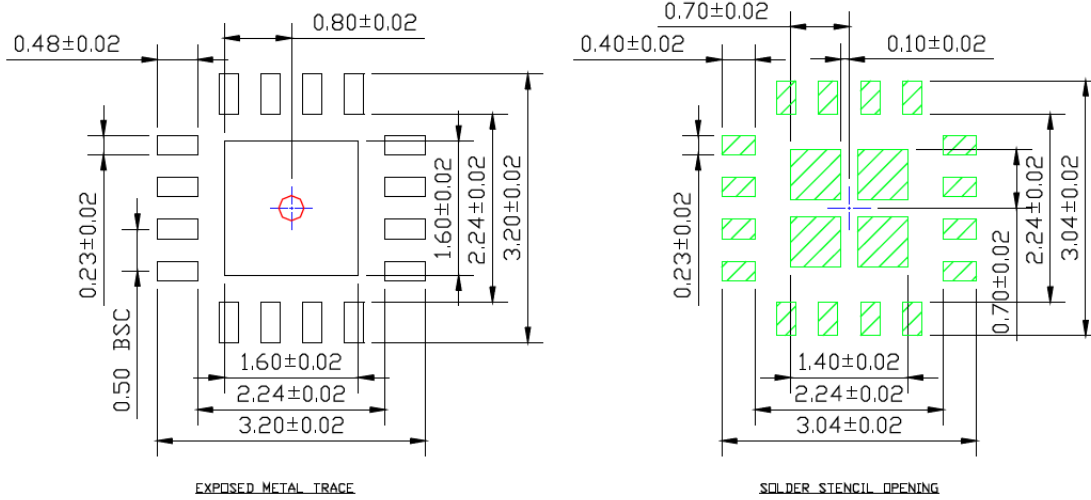
POD-Land Pattern drawing # QFN33-16LD-PL-1

## RECOMMENDED LAND PATTERN

NOTE: 4, 5



STACKED-UP



## APPENDIX A: REVISION HISTORY

### Revision A (July 2019)

- Converted Micrel document SY58607U to Microchip data sheet template DS20006227A.
- Minor text changes throughout.



# SY58607U

---

NOTES:

**PRODUCT IDENTIFICATION SYSTEM**

To order or obtain information, e.g., on pricing or delivery, contact your local Microchip representative or sales office.

<u>PART NO.</u>	<u>X</u>	<u>X</u>	<u>X</u>	<u>XX</u>
Device	Supply Voltage	Package	Temperature Range	Tape and Reel
<b>Device:</b>	SY58607:	3.2 Gbps Precision, 1:2 LVPECL Fanout Buffer with Internal Termination and Fail Safe Input		
<b>Supply Voltage:</b>	U	= 2.5V/3.3V		
<b>Package:</b>	M	= 3 mm x 3 mm QFN-16		
<b>Temperature Range:</b>	G	= -40°C to 85°C (NiPdAu Lead-Free)		
<b>Special Processing:</b>	<blank>	= 100/Tube		
	TR	= 1,000/Reel		

**Examples:**

- a) SY58607UMG: SY58607, 2.5V/3.3V Supply Voltage, 3 mm x 3 mm 16-Lead QFN, -40°C to +85°C Temperature Range, 100/Tube
- b) SY58607UMG-TR: SY58607, 2.5V/3.3V Supply Voltage, 3 mm x 3 mm 16-Lead QFN, -40°C to +85°C Temperature Range, 1,000/Reel

**Note 1:** Tape and Reel identifier only appears in the catalog part number description. This identifier is used for ordering purposes and is not printed on the device package. Check with your Microchip Sales Office for package availability with the Tape and Reel option.

# SY58607U

---

NOTES:

**Note the following details of the code protection feature on Microchip devices:**

- Microchip products meet the specification contained in their particular Microchip Data Sheet.
- Microchip believes that its family of products is one of the most secure families of its kind on the market today, when used in the intended manner and under normal conditions.
- There are dishonest and possibly illegal methods used to breach the code protection feature. All of these methods, to our knowledge, require using the Microchip products in a manner outside the operating specifications contained in Microchip's Data Sheets. Most likely, the person doing so is engaged in theft of intellectual property.
- Microchip is willing to work with the customer who is concerned about the integrity of their code.
- Neither Microchip nor any other semiconductor manufacturer can guarantee the security of their code. Code protection does not mean that we are guaranteeing the product as “unbreakable.”

Code protection is constantly evolving. We at Microchip are committed to continuously improving the code protection features of our products. Attempts to break Microchip's code protection feature may be a violation of the Digital Millennium Copyright Act. If such acts allow unauthorized access to your software or other copyrighted work, you may have a right to sue for relief under that Act.

Information contained in this publication regarding device applications and the like is provided only for your convenience and may be superseded by updates. It is your responsibility to ensure that your application meets with your specifications. MICROCHIP MAKES NO REPRESENTATIONS OR WARRANTIES OF ANY KIND WHETHER EXPRESS OR IMPLIED, WRITTEN OR ORAL, STATUTORY OR OTHERWISE, RELATED TO THE INFORMATION, INCLUDING BUT NOT LIMITED TO ITS CONDITION, QUALITY, PERFORMANCE, MERCHANTABILITY OR FITNESS FOR PURPOSE. Microchip disclaims all liability arising from this information and its use. Use of Microchip devices in life support and/or safety applications is entirely at the buyer's risk, and the buyer agrees to defend, indemnify and hold harmless Microchip from any and all damages, claims, suits, or expenses resulting from such use. No licenses are conveyed, implicitly or otherwise, under any Microchip intellectual property rights unless otherwise stated.

**Trademarks**

The Microchip name and logo, the Microchip logo, Adaptec, AnyRate, AVR, AVR logo, AVR Freaks, BesTime, BitCloud, chipKIT, chipKIT logo, CryptoMemory, CryptoRF, dsPIC, FlashFlex, flexPWR, HELDO, IGLOO, JukeBlox, KeeLoq, Klear, LANCheck, LinkMD, maXStylus, maXTouch, MediaLB, megaAVR, Microsemi, Microsemi logo, MOST, MOST logo, MPLAB, OptoLyzer, PackeTime, PIC, picoPower, PICSTART, PIC32 logo, PolarFire, Prochip Designer, QTouch, SAM-BA, SenGenuity, SpyNIC, SST, SST Logo, SuperFlash, Symmetricom, SyncServer, Tachyon, TempTrackr, TimeSource, tinyAVR, UNI/O, Vectron, and XMEGA are registered trademarks of Microchip Technology Incorporated in the U.S.A. and other countries.

APT, ClockWorks, The Embedded Control Solutions Company, EtherSynch, FlashTec, Hyper Speed Control, HyperLight Load, IntelliMOS, Libero, motorBench, mTouch, Powermite 3, Precision Edge, ProASIC, ProASIC Plus, ProASIC Plus logo, Quiet-Wire, SmartFusion, SyncWorld, Temux, TimeCesium, TimeHub, TimePictra, TimeProvider, Vite, WinPath, and ZL are registered trademarks of Microchip Technology Incorporated in the U.S.A.

Adjacent Key Suppression, AKS, Analog-for-the-Digital Age, Any Capacitor, AnyIn, AnyOut, BlueSky, BodyCom, CodeGuard, CryptoAuthentication, CryptoAutomotive, CryptoCompanion, CryptoController, dsPICDEM, dsPICDEM.net, Dynamic Average Matching, DAM, ECAN, EtherGREEN, In-Circuit Serial Programming, ICSP, INICnet, Inter-Chip Connectivity, JitterBlocker, KlearNet, KlearNet logo, memBrain, Mindi, MiWi, MPASM, MPF, MPLAB Certified logo, MPLIB, MPLINK, MultiTRAK, NetDetach, Omniscient Code Generation, PICDEM, PICDEM.net, PICKit, PICtail, PowerSmart, PureSilicon, QMatrix, REAL ICE, Ripple Blocker, SAM-ICE, Serial Quad I/O, SMART-I.S., SQI, SuperSwitcher, SuperSwitcher II, Total Endurance, TSHARC, USBCheck, VariSense, ViewSpan, WiperLock, Wireless DNA, and ZENA are trademarks of Microchip Technology Incorporated in the U.S.A. and other countries.

SQTP is a service mark of Microchip Technology Incorporated in the U.S.A.

The Adaptec logo, Frequency on Demand, Silicon Storage Technology, and Symmcom are registered trademarks of Microchip Technology Inc. in other countries.

GestIC is a registered trademark of Microchip Technology Germany II GmbH & Co. KG, a subsidiary of Microchip Technology Inc., in other countries.

All other trademarks mentioned herein are property of their respective companies.

© 2019, Microchip Technology Incorporated, All Rights Reserved.

ISBN: 978-1-5224-4822-8

For information regarding Microchip's Quality Management Systems, please visit [www.microchip.com/quality](http://www.microchip.com/quality).



# MICROCHIP

## Worldwide Sales and Service

### AMERICAS

**Corporate Office**  
2355 West Chandler Blvd.  
Chandler, AZ 85224-6199  
Tel: 480-792-7200  
Fax: 480-792-7277  
Technical Support:  
<http://www.microchip.com/support>  
Web Address:  
[www.microchip.com](http://www.microchip.com)

**Atlanta**  
Duluth, GA  
Tel: 678-957-9614  
Fax: 678-957-1455

**Austin, TX**  
Tel: 512-257-3370

**Boston**  
Westborough, MA  
Tel: 774-760-0087  
Fax: 774-760-0088

**Chicago**  
Itasca, IL  
Tel: 630-285-0071  
Fax: 630-285-0075

**Dallas**  
Addison, TX  
Tel: 972-818-7423  
Fax: 972-818-2924

**Detroit**  
Novi, MI  
Tel: 248-848-4000

**Houston, TX**  
Tel: 281-894-5983

**Indianapolis**  
Noblesville, IN  
Tel: 317-773-8323  
Fax: 317-773-5453  
Tel: 317-536-2380

**Los Angeles**  
Mission Viejo, CA  
Tel: 949-462-9523  
Fax: 949-462-9608  
Tel: 951-273-7800

**Raleigh, NC**  
Tel: 919-844-7510

**New York, NY**  
Tel: 631-435-6000

**San Jose, CA**  
Tel: 408-735-9110  
Tel: 408-436-4270

**Canada - Toronto**  
Tel: 905-695-1980  
Fax: 905-695-2078

### ASIA/PACIFIC

**Australia - Sydney**  
Tel: 61-2-9868-6733

**China - Beijing**  
Tel: 86-10-8569-7000

**China - Chengdu**  
Tel: 86-28-8665-5511

**China - Chongqing**  
Tel: 86-23-8980-9588

**China - Dongguan**  
Tel: 86-769-8702-9880

**China - Guangzhou**  
Tel: 86-20-8755-8029

**China - Hangzhou**  
Tel: 86-571-8792-8115

**China - Hong Kong SAR**  
Tel: 852-2943-5100

**China - Nanjing**  
Tel: 86-25-8473-2460

**China - Qingdao**  
Tel: 86-532-8502-7355

**China - Shanghai**  
Tel: 86-21-3326-8000

**China - Shenyang**  
Tel: 86-24-2334-2829

**China - Shenzhen**  
Tel: 86-755-8864-2200

**China - Suzhou**  
Tel: 86-186-6233-1526

**China - Wuhan**  
Tel: 86-27-5980-5300

**China - Xian**  
Tel: 86-29-8833-7252

**China - Xiamen**  
Tel: 86-592-2388138

**China - Zhuhai**  
Tel: 86-756-3210040

### ASIA/PACIFIC

**India - Bangalore**  
Tel: 91-80-3090-4444

**India - New Delhi**  
Tel: 91-11-4160-8631

**India - Pune**  
Tel: 91-20-4121-0141

**Japan - Osaka**  
Tel: 81-6-6152-7160

**Japan - Tokyo**  
Tel: 81-3-6880-3770

**Korea - Daegu**  
Tel: 82-53-744-4301

**Korea - Seoul**  
Tel: 82-2-554-7200

**Malaysia - Kuala Lumpur**  
Tel: 60-3-7651-7906

**Malaysia - Penang**  
Tel: 60-4-227-8870

**Philippines - Manila**  
Tel: 63-2-634-9065

**Singapore**  
Tel: 65-6334-8870

**Taiwan - Hsin Chu**  
Tel: 886-3-577-8366

**Taiwan - Kaohsiung**  
Tel: 886-7-213-7830

**Taiwan - Taipei**  
Tel: 886-2-2508-8600

**Thailand - Bangkok**  
Tel: 66-2-694-1351

**Vietnam - Ho Chi Minh**  
Tel: 84-28-5448-2100

### EUROPE

**Austria - Wels**  
Tel: 43-7242-2244-39  
Fax: 43-7242-2244-393

**Denmark - Copenhagen**  
Tel: 45-4450-2828  
Fax: 45-4485-2829

**Finland - Espoo**  
Tel: 358-9-4520-820

**France - Paris**  
Tel: 33-1-69-53-63-20  
Fax: 33-1-69-30-90-79

**Germany - Garching**  
Tel: 49-8931-9700

**Germany - Haan**  
Tel: 49-2129-3766400

**Germany - Heilbronn**  
Tel: 49-7131-72400

**Germany - Karlsruhe**  
Tel: 49-721-625370

**Germany - Munich**  
Tel: 49-89-627-144-0  
Fax: 49-89-627-144-44

**Germany - Rosenheim**  
Tel: 49-8031-354-560

**Israel - Ra'anana**  
Tel: 972-9-744-7705

**Italy - Milan**  
Tel: 39-0331-742611  
Fax: 39-0331-466781

**Italy - Padova**  
Tel: 39-049-7625286

**Netherlands - Drunen**  
Tel: 31-416-690399  
Fax: 31-416-690340

**Norway - Trondheim**  
Tel: 47-7288-4388

**Poland - Warsaw**  
Tel: 48-22-3325737

**Romania - Bucharest**  
Tel: 40-21-407-87-50

**Spain - Madrid**  
Tel: 34-91-708-08-90  
Fax: 34-91-708-08-91

**Sweden - Gothenberg**  
Tel: 46-31-704-60-40

**Sweden - Stockholm**  
Tel: 46-8-5090-4654

**UK - Wokingham**  
Tel: 44-118-921-5800  
Fax: 44-118-921-5820



## OUR CERTIFICATE

DiGi provide top-quality products and perfect service for customer worldwide through standardization, technological innovation and continuous improvement. DiGi through third-party certification, we stricly control the quality of products and services. Welcome your RFQ to

Email: [Info@DiGi-Electronics.com](mailto:Info@DiGi-Electronics.com)



Tel: +00 852-30501935

RFQ Email: [Info@DiGi-Electronics.com](mailto:Info@DiGi-Electronics.com)

DiGi is a global authorized distributor of electronic components.