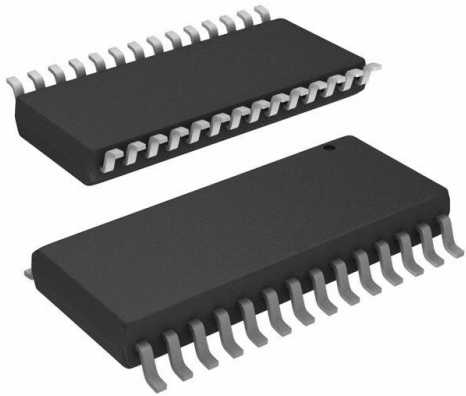


SY89429VZH Datasheet

www.digi-electronics.com



<https://www.DiGi-Electronics.com>

| | |
|------------------------------|--|
| DiGi Electronics Part Number | SY89429VZH-DG |
| Manufacturer | Microchip Technology |
| Manufacturer Product Number | SY89429VZH |
| Description | IC FREQ SYNTH 28SOIC |
| Detailed Description | Frequency Synthesizer IC 800MHz 1 28-SOIC (0.295", 7.50mm Width) |



Tel: +00 852-30501935

RFQ Email: Info@DiGi-Electronics.com

DiGi is a global authorized distributor of electronic components.

Purchase and inquiry

Manufacturer Product Number:

SY89429VZH

Series:

Precision Edge®

DiGi-Electronics Programmable:

Not Verified

PLL:

Yes

Output:

PECL

Ratio - Input:Output:

1:1

Frequency - Max:

800MHz

Voltage - Supply:

3.135V ~ 5.25V

Mounting Type:

Surface Mount

Supplier Device Package:

28-SOIC

Manufacturer:

Microchip Technology

Product Status:

Obsolete

Type:

Frequency Synthesizer

Input:

Crystal

Number of Circuits:

1

Differential - Input:Output:

No/Yes

Divider/Multiplier:

Yes/No

Operating Temperature:

0°C ~ 75°C

Package / Case:

28-SOIC (0.295", 7.50mm Width)

Base Product Number:

SY89429

Environmental & Export classification

RoHS Status:

ROHS3 Compliant

REACH Status:

REACH Unaffected

HTSUS:

8542.39.0001

Moisture Sensitivity Level (MSL):

2 (1 Year)

ECCN:

EAR99



**5V/3.3V PROGRAMMABLE
FREQUENCY SYNTHESIZER
(25MHz to 400MHz)**

**Precision Edge®
SY89429V**

FEATURES

- 3.3V and 5V power supply options
- 25MHz to 400MHz differential PECL outputs
- 50ps peak-to-peak output jitter
- Minimal frequency over-shoot
- Synthesized architecture
- Serial 3-wire interface
- Parallel interface for power-on
- Internal quartz reference oscillator driven by quartz crystal
- Application Note (AN-07) for ease of design-ins
- Available in 28-pin PLCC and SOIC packages

APPLICATIONS

- Workstations
- Advanced communications
- High end consumer
- High-performance computing
- RISC CPU clock
- Graphics pixel clock
- Test equipment
- Other high-performance processor-based applications



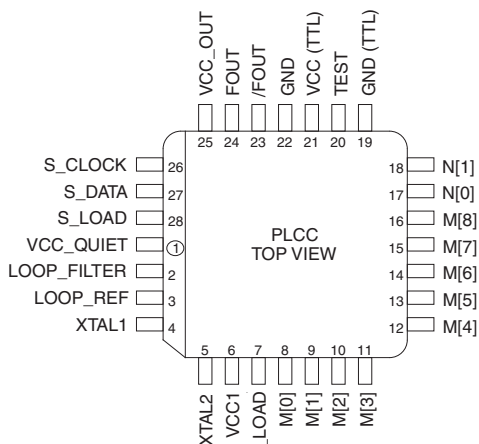
Precision Edge®

DESCRIPTION

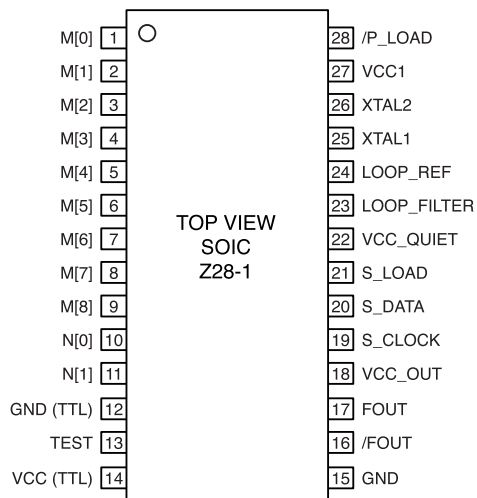
The SY89429V is a general purpose, synthesized clock source targeting applications that require both serial and parallel interfaces. Its internal VCO will operate over a range of frequencies from 400MHz to 800MHz. The differential PECL output can be configured to be the VCO frequency divided by 2, 4, 8 or 16. With the output configured to divide the VCO frequency by 2, and with a 16MHz external quartz crystal used to provide the reference frequency, the output frequency can be specified in 1MHz steps.

Data sheets and support documentation can be found on Micrel's web site at: www.micrel.com.

PACKAGE/ORDERING INFORMATION



28-Pin PLCC (J28-1)



28-Pin SOIC (Z28-1)

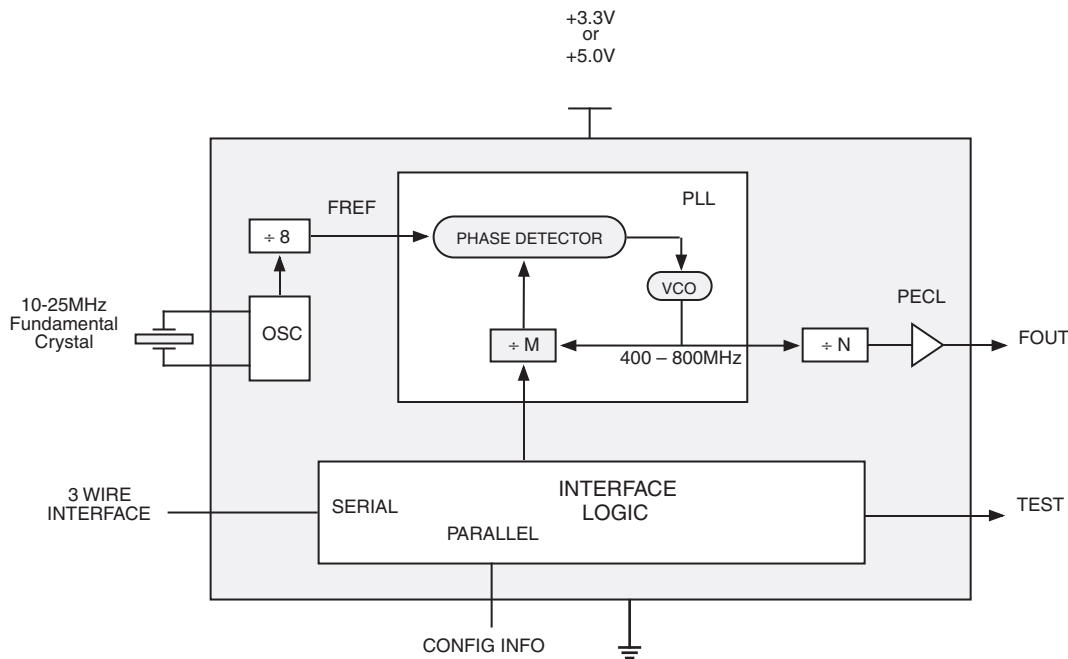
Ordering Information⁽¹⁾

| Part Number | Package Type | Operating Range | Package Marking | Lead Finish |
|--------------------------------|--------------|-----------------|--|------------------|
| SY89429VJC | J28-1 | Commercial | SY89429VJC | Sn-Pb |
| SY89429VJCTR ⁽²⁾ | J28-1 | Commercial | SY89429VJC | Sn-Pb |
| SY89429VZC | Z28-1 | Commercial | SY89429VZC | Sn-Pb |
| SY89429VZCTR ⁽²⁾ | Z28-1 | Commercial | SY89429VZC | Sn-Pb |
| SY89429VJZ ⁽³⁾ | J28-1 | Commercial | SY89429VJZ with Pb-Free bar line indicator | Matte-Sn Pb-Free |
| SY89429VJZTR ^(2, 3) | J28-1 | Commercial | SY89429VJZ with Pb-Free bar line indicator | Matte-Sn Pb-Free |
| SY89429VZH ⁽³⁾ | Z28-1 | Commercial | SY89429VZH with Pb-Free bar line indicator | NiPdAu Pb-Free |
| SY89429VZHTR ^(2, 3) | Z28-1 | Commercial | SY89429VZH with Pb-Free bar line indicator | NiPdAu Pb-Free |

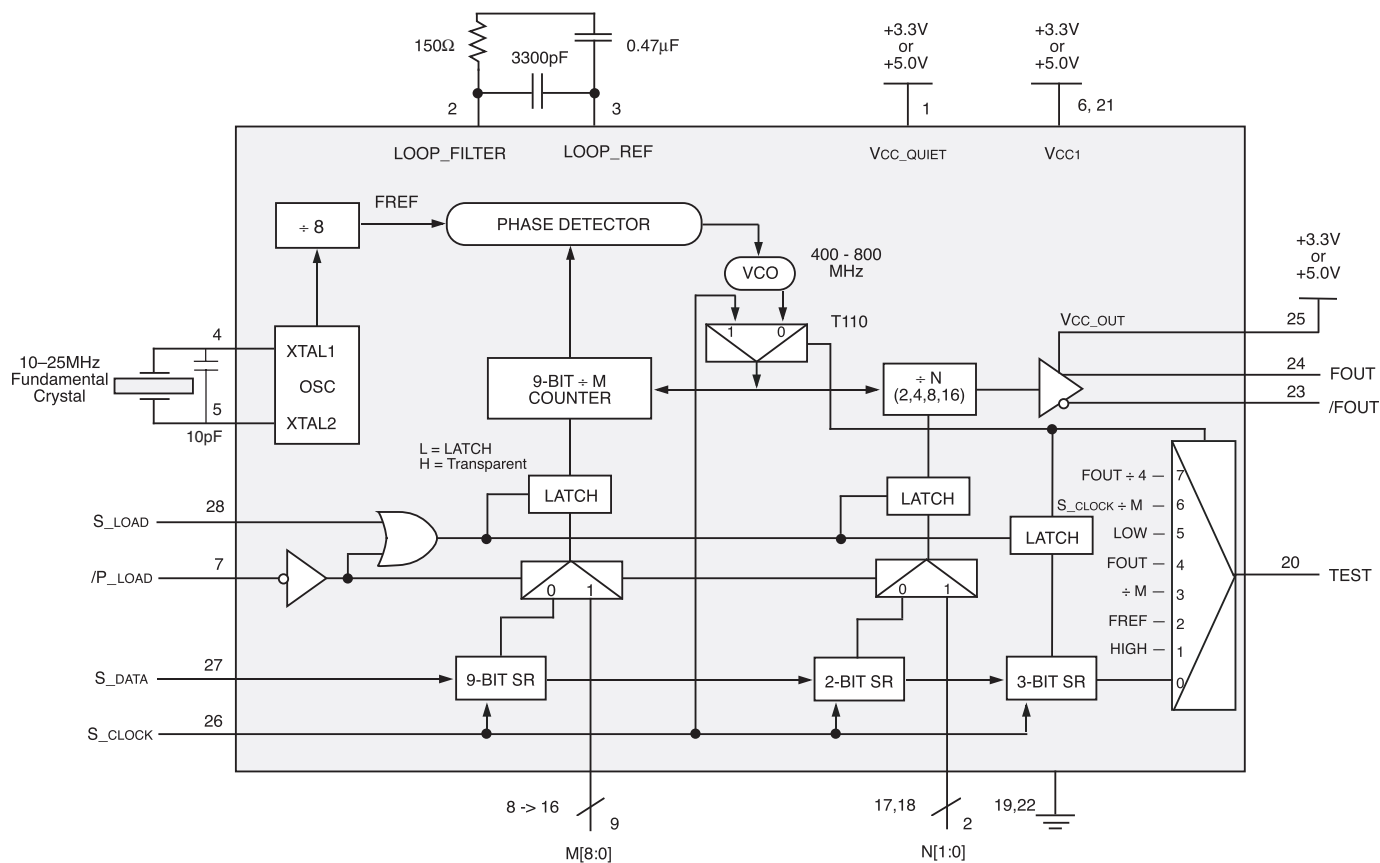
Notes:

1. Contact factory for die availability. Dice are guaranteed at T_A = 25°C, DC Electricals only.
2. Tape and Reel.
3. Pb-Free package is recommended for new designs.

BLOCK DIAGRAM



DETAILED BLOCK DIAGRAM



NOTE:

Pin numbers reference PLCC pinout.

PIN DESCRIPTIONS

INPUTS

XTAL1, XTAL2

These pins form an oscillator when connected to an external crystal. The crystal is series resonant. See “AN-07” for Crystal Interface Guideline.

S_LOAD

This TTL pin loads the configuration latches with the contents of the shift registers. The latches will be transparent when this signal is HIGH; thus, the register data must be stable on the HIGH-to-LOW transition of S_LOAD for proper operation.

S_DATA

This TTL pin is the input to the serial configuration shift registers.

S_CLOCK

This TTL pin clocks the serial configuration shift registers. On the rising edge of this signal, data from S_DATA is sampled.

/P_LOAD

This TTL pin loads the configuration latches with the contents of the parallel inputs. The latches will be transparent when this signal is LOW: Thus, the parallel data must be stable on the LOW-to-HIGH transition of /P_LOAD for proper operation. During power up, hold /P_LOAD low with a valid M count on M[0] - M[8] until supplies have stabilized.

M[8:0]

These TTL pins are used to configure the PLL loop divider. They are sampled on the LOW-to-HIGH transition of /P_LOAD. M[8] is the MSB, M[0] is the LSB. The binary count on the M pins equates to the divide-by value for the PLL.

N[1:0]

These TTL pins are used to configure the output divider modulus. They are sampled on the LOW-to-HIGH transition of /P_LOAD.

| N[1:0] | Output Division |
|--------|-----------------|
| 0 0 | 2 |
| 0 1 | 4 |
| 1 0 | 8 |
| 1 1 | 16 |

OUTPUTS

FOUT, /FOUT

These differential positive-referenced ECL signals (PECL) are the output of the synthesizer.

TEST

The function of this TTL output is determined by the serial configuration bits T[2:0].

POWER

V_{CC1}

This is the positive supply for the chip and is normally connected to +3.3V or +5.0V.

V_{CC_OUT}

This is the positive reference for the PECL outputs, FOUT and /FOUT. It is constrained to be less than or equal to V_{CC1}.

V_{CC_QUIET}

This is the positive supply for the PLL and should be as noise-free as possible for low-jitter operation.

GND

These pins are the negative supply for the chip and are normally all connected to ground.

OTHER

LOOP_FILTER

This is an analog I/O pin that provides the loop filter for the PLL.

LOOP_REF

This is an analog I/O pin that provides a reference voltage for the PLL.

Micrel, Inc.

WITH 16MHZ INPUT

| VCO Frequency (MHz) | M Count | 256 | 128 | 64 | 32 | 16 | 8 | 4 | 2 | 1 |
|------------------------|---------|-----|-----|----|----|----|----|----|----|----|
| | | M8 | M7 | M6 | M5 | M4 | M3 | M2 | M1 | M0 |
| 400 | 200 | 0 | 1 | 1 | 0 | 0 | 1 | 0 | 0 | 0 |
| 402 | 201 | 0 | 1 | 1 | 0 | 0 | 1 | 0 | 0 | 1 |
| 404 | 202 | 0 | 1 | 1 | 0 | 0 | 1 | 0 | 1 | 0 |
| 406 | 203 | 0 | 1 | 1 | 0 | 0 | 1 | 0 | 1 | 1 |
| . | . | . | . | . | . | . | . | . | . | . |
| . | . | . | . | . | . | . | . | . | . | . |
| . | . | . | . | . | . | . | . | . | . | . |
| 794 | 397 | 1 | 1 | 0 | 0 | 0 | 1 | 1 | 0 | 1 |
| 796 | 398 | 1 | 1 | 0 | 0 | 0 | 1 | 1 | 1 | 0 |
| 798 | 399 | 1 | 1 | 0 | 0 | 0 | 1 | 1 | 1 | 1 |
| 800 | 400 | 1 | 1 | 0 | 0 | 1 | 0 | 0 | 0 | 0 |

FUNCTIONAL DESCRIPTION

The internal oscillator uses the external quartz crystal as the basis of its frequency reference. The output of the reference oscillator is divided by eight before being sent to the phase detector. With a 16MHz crystal, this provides a reference frequency of 2MHz.

The VCO, within the PLL, operates over a range of 400–800MHz. Its output is scaled by a divider that is configured by either the serial or parallel interfaces. The output of this loop divider is also applied to the phase detector.

The phase detector and loop filter force the VCO output frequency to be M times the reference frequency by adjusting the VCO control voltage. Note that for some values of M (either too high or too low) the PLL will not achieve loop lock. External loop filter components are utilized to allow for optimal phase jitter performance.

The output of the VCO is also passed through an output divider before being sent to the PECL output driver. The output divider is configured through either the serial or the parallel interfaces and can provide one of four divider ratios (2, 4, 8 or 16). This divider extends the performance of the part while providing a 50% duty cycle.

The output driver is driven differentially from the output divider and is capable of driving a pair of transmission lines terminated

in 50Ω to $V_{CC}-2$ volts. The positive reference for the output driver is provided by a dedicated power pin (V_{CC_OUT}) to reduce noise induced jitter.

The configuration logic has two sections: serial and parallel. The parallel interface uses the values at the M[8:0] and N[1:0] inputs to configure the internal counters. Normally, upon system reset, the $/P_LOAD$ input is held LOW until some time after power becomes valid. With S_LOAD held LOW, on the LOW-to-HIGH transition of $/P_LOAD$, the parallel inputs are captured. The parallel interface has priority over the serial interface. Internal pull-up resistors are provided on the M[8:0] and N[1:0] inputs to reduce component count.

The serial interface logic is implemented with a 14-bit shift register scheme. The register shifts once per rising edge of the S_CLOCK input. The serial input S_DATA must meet set-up and hold timing as specified in the AC parameters section of this data-sheet. With $/P_LOAD$ held HIGH, the configuration latches will capture the value in the shift register on the HIGH-to-LOW edge of the S_LOAD input. See the programming section for more information.

The TEST output reflects various internal node values and is controlled by the T[2:0] bits in the serial data stream. See the programming subsection of this data sheet for more information.

PROGRAMMING INTERFACE

Programming the device is accomplished by properly configuring the internal dividers to produce the desired frequency at the outputs. The output frequency can be represented by this formula:

$$F_{OUT} = \left(\frac{F_{XTAL}}{8} \right) \times \frac{M}{N}$$

Where F_{XTAL} is the crystal frequency, M is the loop divider modulus, and N is the output divider modulus. Note that it is possible to select values of M such that the PLL is unable to achieve loop lock. To avoid this, always ensure that M is selected to be $200 \leq M \leq 400$ for a 16MHz input reference.

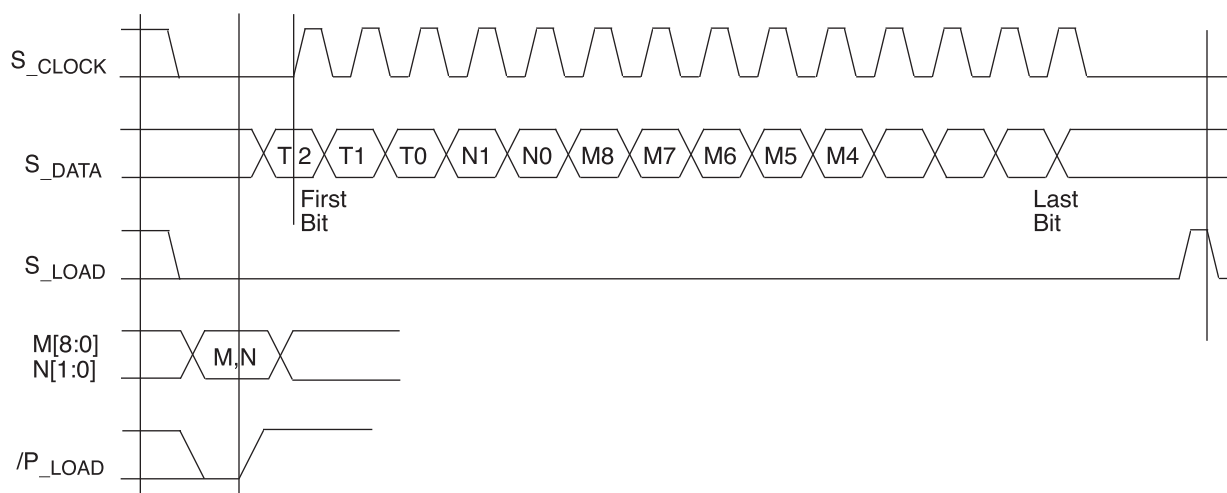
$M[8:0]$ and $N[1:0]$ are normally specified once at power-on, through the parallel interface, and then possibly again through the serial interface. This approach allows the designer to bring up the application at one frequency and then change or fine-tune the clock, as the ability to control the serial interface becomes available. To minimize transients in the frequency domain, the output should be varied in the smallest step size possible.

| T2 | T1 | T0 | TEST | FOUT // FOUT |
|----|----|----|------------------------|--------------------|
| 0 | 0 | 0 | Data Out – Last Bit SR | FVCO ÷ N |
| 0 | 0 | 1 | HIGH | FVCO ÷ N |
| 0 | 1 | 0 | FREF | FVCO ÷ N |
| 0 | 1 | 1 | M Counter Output | FVCO ÷ N |
| 1 | 0 | 0 | FOUT | FVCO ÷ N |
| 1 | 0 | 1 | LOW | FVCO ÷ N |
| 1 | 1 | 0 | $S_{CLOCK} \div M$ | $S_{CLOCK} \div N$ |
| 1 | 1 | 1 | $FOUT \div 4$ | $FVCO \div N$ |

The TEST output provides visibility for one of several internal nodes (as determined by the $T[1:0]$ bits in the serial configuration stream). It is not configurable through the parallel interface. Although it is possible to select the node that represents FOUT, the TTL output may not be able to toggle fast enough for some of the higher output frequencies. The T_2 , T_1 , T_0 configuration latches are preset to 000 when $/P_LOAD$ is low, so that the FOUT outputs are as jitter-free as possible. The serial configuration port can be used to select one of the alternate functions for this pin.

The Test register is loaded with the first three bits, the N register with the next two and the M register with the final eight bits of the data stream on the S_DATA input. For each register, the most significant bit is loaded first (T_2 , N_1 and M_8).

When $T[2:0]$ is set to 100 the SY89429V is placed in PLL bypass mode. In this mode the S_CLOCK input is fed directly into the M and N dividers. The N divider drives the FOUT differential pair and the M counter drives the TEST output pin. In this mode the S_CLOCK input could be used for low speed board level functional test or debug. Bypassing the PLL and driving FOUT directly gives the user more control on the test clocks sent through the clock tree (See detailed Block Diagram). Because the S_CLOCK is a TTL level the input frequency is limited to 250MHz or less. This means the fastest the FOUT pin can be toggled via the S_CLOCK is 125MHz as the minimum divide ratio of the N counter is 2. Note that the M counter output on the TEST output will not be a 50% duty cycle due to the way the divider is implemented.



Micrel, Inc.

ABSOLUTE MAXIMUM RATINGS⁽¹⁾

| Symbol | Parameter | Value | Unit |
|--------------------|-------------------------------------|--------------|------|
| V _{CC} | Power Supply Voltage | -0.5 to +7.0 | V |
| V _I | Input Voltage | -0.5 to +7.0 | V |
| I _{OUT} | Output Source | 50 | mA |
| | Continuous Surge | 100 | |
| T _{LEAD} | Lead Temperature (soldering 20sec.) | +260 | °C |
| T _{store} | Storage Temperature | -65 to +150 | °C |
| T _A | Operating Temperature | -0 to +75 | °C |

NOTE:

1. Permanent device damage may occur if absolute maximum ratings are exceeded. This is a stress rating only and functional operation is not implied at conditions other than those detailed in the operational sections of this data sheet. Exposure to absolute maximum rating conditions for extended periods may affect device reliability.

100H ECL DC ELECTRICAL CHARACTERISTICS

V_{CC1} = V_{CC_QUIET} = V_{CC_TTL} = V_{CC_OUT} = +3.3V to +5.0V ±5%; T_A = 0°C to +75°C

| Symbol | Parameter | Min. | Max. | Unit | Condition |
|-----------------|---------------------|----------------------------|----------------------------|------|--------------------------------|
| V _{OH} | Output HIGH Voltage | V _{CC_OUT} -1.075 | V _{CC_OUT} -0.830 | V | 50Ω to V _{CC_OUT} -2V |
| V _{OL} | Output LOW Voltage | V _{CC_OUT} -1.860 | V _{CC_OUT} -1.570 | V | 50Ω to V _{CC_OUT} -2V |

TTL DC ELECTRICAL CHARACTERISTICS

V_{CC1} = V_{CC_QUIET} = V_{CC_TTL} = V_{CC_OUT} = +3.3V to +5.0V ±5%; T_A = 0°C to +75°C

| Symbol | Parameter | T _A = 0°C | | T _A = +25°C | | T _A = +75°C | | Unit | Condition |
|------------------|-------------------------------|----------------------|------|------------------------|------|------------------------|------|------|--------------------------|
| | | Min. | Max. | Min. | Max. | Min. | Max. | | |
| V _{IH} | Input HIGH Voltage | 2.0 | — | 2.0 | — | 2.0 | — | V | — |
| V _{IL} | Input LOW Voltage | — | 0.8 | — | 0.8 | — | 0.8 | V | — |
| I _{IH} | Input HIGH Current | — | 50 | — | 50 | — | 50 | μA | V _{IN} = 2.7V |
| I _{IL} | Input LOW Current | — | -0.6 | — | -0.6 | — | -0.6 | mA | V _{IN} = 0.5V |
| V _{IK} | Input Clamp Voltage | — | -1.2 | — | -1.2 | — | -1.2 | V | I _{IN} = -12mA |
| V _{OH} | Output HIGH Voltage | — | 2.0 | — | 2.0 | — | 2.0 | V | I _{OH} = -2.0mA |
| V _{OL} | Output LOW Voltage | — | 0.5 | — | 0.5 | — | 0.5 | V | I _{OL} = 8mA |
| I _{OS} | Output Short Circuit Current | -100 (Typ.) | | -100 (Typ.) | | -100 (Typ.) | | mA | V _{OUT} = 0V |
| I _{CC1} | Supply Current | — | 190 | — | 190 | — | 190 | mA | 5.0V ±5% |
| | | 0.89X of 5V Val. | | 0.89X of 5V Val. | | 0.89X of 5V Val. | | mA | 3.3V ±5% |
| | Typical % of I _{CC1} | V _{CC1} | 33% | 33% | 33% | | | | |
| | V _{CC_OUT} | 9% | 9% | 9% | | | | | |
| | V _{CC_QUIET} | 14% | 14% | 14% | | | | | |
| | V _{CC_TTL} | 44% | 44% | 44% | | | | | |

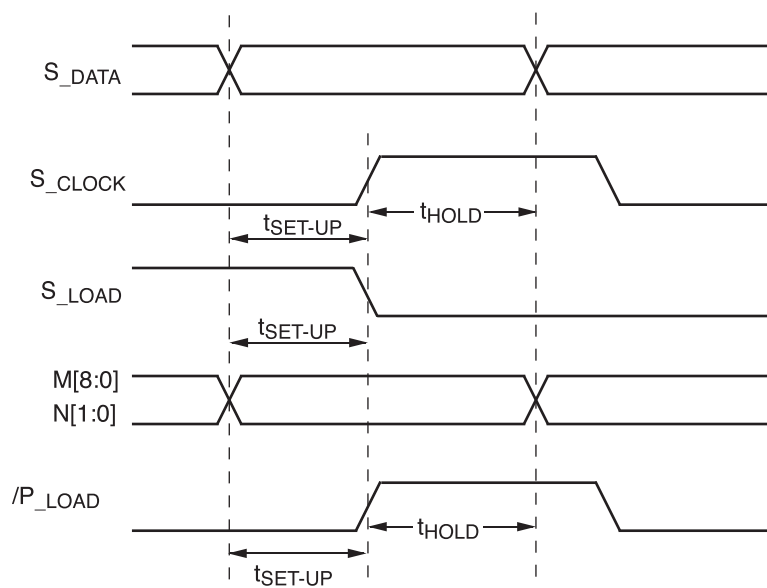
Micrel, Inc.

AC ELECTRICAL CHARACTERISTICS $V_{CC1} = V_{CC_QUIET} = V_{CC_TTL} = V_{CC_OUT} = +3.3V$ to $+5.0V \pm 5\%$; $T_A = 0^\circ C$ to $+75^\circ C$

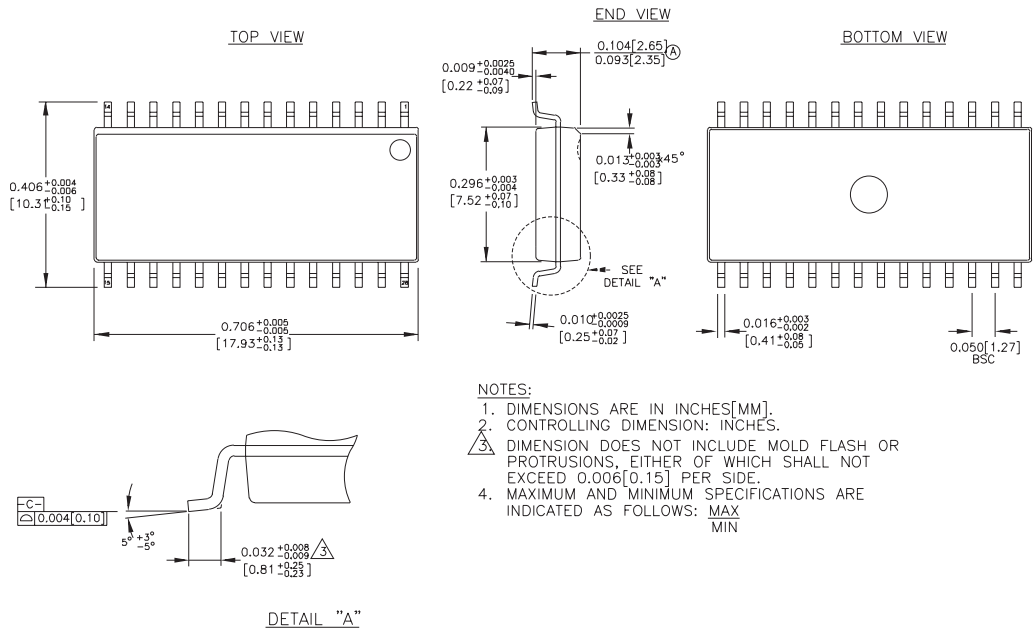
| Symbol | Parameter | $T_A = 0^\circ C$ | | $T_A = +25^\circ C$ | | $T_A = +75^\circ C$ | | Unit | Condition |
|----------------|---|-------------------|-------------|---------------------|-------------|---------------------|-------------|------|------------------------|
| | | Min. | Max. | Min. | Max. | Min. | Max. | | |
| f_{MAXI} | Maximum Input Frequency Note 1 S_CLOCK Xtal Oscillator | — 10 | 10 25 | — 10 | 10 25 | — 10 | 10 25 | MHz | Fundamental Crystal |
| f_{MAXO} | Maximum Output Frequency VCO (Internal) FOUT | 400 25 | 800 400 | 400 25 | 800 400 | 400 25 | 800 400 | MHz | |
| t_{LOCK} | Maximum PLL Lock Time | — | 10 | — | 10 | — | 10 | ms | |
| t_{jitter} | Cycle-to-Cycle Jitter (Peak-to-Peak) | — | 50 | — | 50 | — | 50 | ps | Test output static |
| t_S | Setup Time S_DATA to S_CLOCK S_CLOCK to S_LOAD M, N to /P_LOAD | 20 20 20 | — — — | 20 20 20 | — — — | 20 20 20 | — — — | ns | |
| t_H | Hold Time S_DATA to S_CLOCK S_CLOCK to S_LOAD M, N to /P_LOAD | 20 20 20 | — — — | 20 20 20 | — — — | 20 20 20 | — — — | ns | |
| $t_{pw(MIN)}$ | Minimum Pulse Width S_LOAD /P_LOAD | 50 50 | — — | 50 50 | — — | 50 50 | — — | ns | |
| t_{DC} | FOUT Duty Cycle | 45 | 55 | 45 | 55 | 45 | 55 | % | |
| t_r t_f | Output Rise/Fall 20% to 80% FOUT | 300 | 800 | 300 | 800 | 300 | 800 | ps | |

NOTE:

- 10MHz is the maximum frequency to load the feedback divide registers. S_CLOCK can be switched at high frequencies when used as a test clock in TEST_MODE 6.

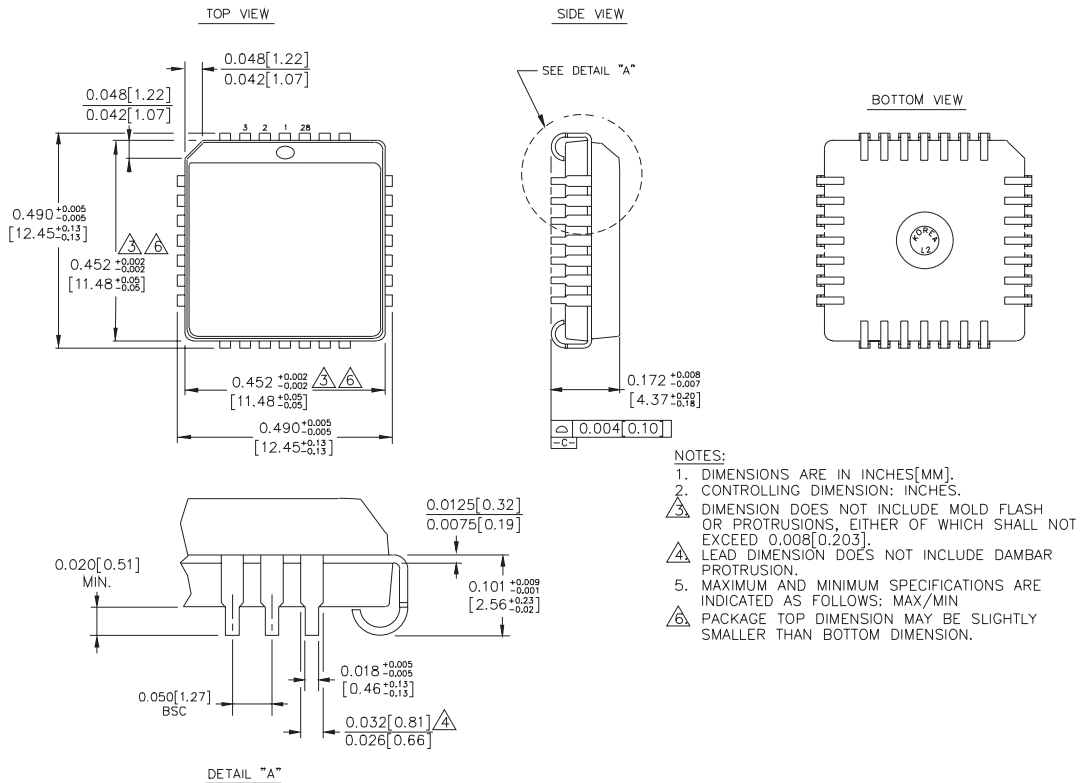
TIMING DIAGRAM

28-PIN SOIC .300" WIDE (Z28-1)



- NOTES:
1. DIMENSIONS ARE IN INCHES[MM].
 2. CONTROLLING DIMENSION: INCHES.
 3. DIMENSION DOES NOT INCLUDE MOLD FLASH OR PROTRUSIONS, EITHER OF WHICH SHALL NOT EXCEED 0.006[0.15] PER SIDE.
 4. MAXIMUM AND MINIMUM SPECIFICATIONS ARE INDICATED AS FOLLOWS: $\frac{MAX}{MIN}$

28-PIN PLCC (J28-1)



Rev. 03

MICREL, INC. 2180 FORTUNE DRIVE SAN JOSE, CA 95131 USA

TEL + 1 (408) 944-0800 FAX + 1 (408) 474-1000 WEB <http://www.micrel.com>

The information furnished by Micrel in this datasheet is believed to be accurate and reliable. However, no responsibility is assumed by Micrel for its use. Micrel reserves the right to change circuitry and specifications at any time without notification to the customer.

Micrel Products are not designed or authorized for use as components in life support appliances, devices or systems where malfunction of a product can reasonably be expected to result in personal injury. Life support devices or systems are devices or systems that (a) are intended for surgical implant into the body or (b) support or sustain life, and whose failure to perform can be reasonably expected to result in a significant injury to the user. A Purchaser's use or sale of Micrel Products for use in life support appliances, devices or systems is at Purchaser's own risk and Purchaser agrees to fully indemnify Micrel for any damages resulting from such use or sale.

© 2006 Micrel, Incorporated.

OUR CERTIFICATE

DiGi provide top-quality products and perfect service for customer worldwide through standardization, technological innovation and continuous improvement. DiGi through third-party certification, we stricly control the quality of products and services. Welcome your RFQ to

Email: Info@DiGi-Electronics.com



Tel: +00 852-30501935

RFQ Email: Info@DiGi-Electronics.com

DiGi is a global authorized distributor of electronic components.