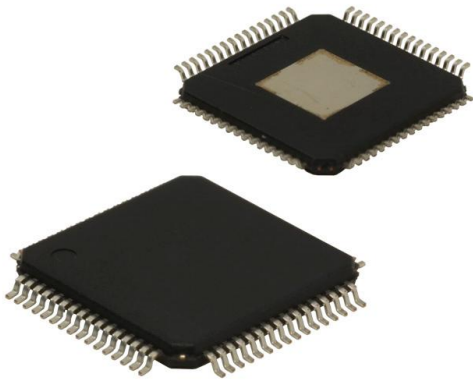


# SY89824LHZ-TR Datasheet

[www.digi-electronics.com](http://www.digi-electronics.com)



<https://www.DiGi-Electronics.com>

DiGi Electronics Part Number	SY89824LHZ-TR-DG
Manufacturer	<a href="#">Microchip Technology</a>
Manufacturer Product Number	SY89824LHZ-TR
Description	IC CLK BUFFER 2:22 64TQFP
Detailed Description	Clock Fanout Buffer (Distribution), Multiplexer IC 2:22 64-TQFP Exposed Pad



Tel: +00 852-30501935

RFQ Email: [Info@DiGi-Electronics.com](mailto:Info@DiGi-Electronics.com)

DiGi is a global authorized distributor of electronic components.

## Purchase and inquiry

Manufacturer Product Number:

SY89824LHZ-TR

Series:

Precision Edge®

Type:

Fanout Buffer (Distribution), Multiplexer

Ratio - Input:Output:

2:22

Input:

HSTL, LVPECL

Voltage - Supply:

3V ~ 3.6V

Mounting Type:

Surface Mount

Supplier Device Package:

64-TQFP-EP (10x10)

Manufacturer:

Microchip Technology

Product Status:

Active

Number of Circuits:

1

Differential - Input:Output:

Yes/Yes

Output:

HSTL

Operating Temperature:

0°C ~ 85°C

Package / Case:

64-TQFP Exposed Pad

Base Product Number:

SY89824

## Environmental & Export classification

RoHS Status:

ROHS3 Compliant

REACH Status:

REACH Unaffected

HTSUS:

8542.39.0001

Moisture Sensitivity Level (MSL):

3 (168 Hours)

ECCN:

EAR99



**3.3V 1:22 HIGH-PERFORMANCE,  
LOW VOLTAGE BUS CLOCK DRIVER**

**Precision Edge®  
SY89824L**

## FEATURES

- 3.3V core supply, 1.8V output supply for reduced power
- LVPECL and HSTL inputs
- 22 differential HSTL (low-voltage swing) output pairs
- HSTL outputs drive 50Ω to ground with no offset voltage
- Low part-to-part skew (200ps max.)
- Low pin-to-pin skew (50ps max.)
- Available in a 64-Pin EPAD-TQFP

## APPLICATIONS

- High-performance PCs
- Workstations
- Parallel processor-based systems
- Other high-performance computing
- Communications



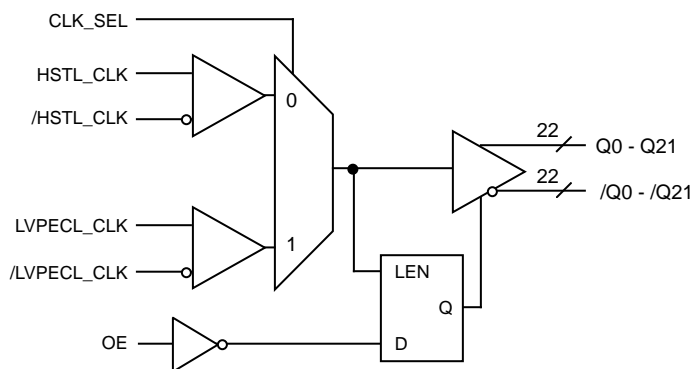
Precision Edge®

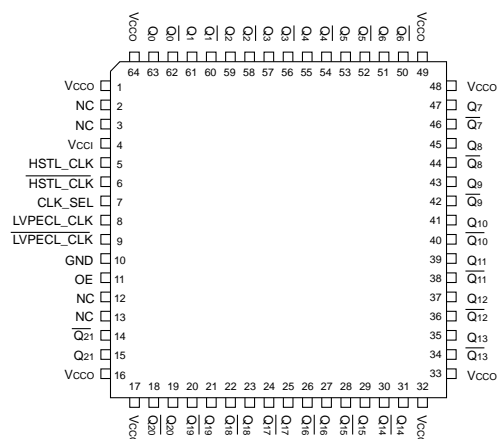
## DESCRIPTION

The SY89824L is a High Performance Bus Clock Driver with 22 differential HSTL (High Speed Transceiver Logic) output pairs. The part is designed for use in low voltage (3.3V/1.8V) applications which require a large number of outputs to drive precisely aligned, ultra low skew signals to their destination. The input is multiplexed from either HSTL or LVPECL (Low Voltage Positive Emitter Coupled Logic) by the CLK\_SEL pin. The Output Enable (OE) is synchronous so that the outputs will only be enabled/disabled when they are already in the LOW state. This avoids any chance of generating a runt clock pulse when the device is enabled/disabled as can happen with an asynchronous control.

The SY89824L features low pin-to-pin skew (50ps max.) and low part-to-part skew (200ps max.)—performance previously unachievable in a standard product having such a high number of outputs. The SY89824L is available in a single space saving package, enabling a lower overall cost solution.

## LOGIC SYMBOL



**PACKAGE/ORDERING INFORMATION****64-Pin EPAD-TQFP (H64-1)****Ordering Information<sup>(1)</sup>**

Part Number	Package Type	Operating Range	Package Marking	Lead Finish
SY89824LHC	H64-1	Commercial	SY89824LHC	Sn-Pb
SY89824LHCTR <sup>(2)</sup>	H64-1	Commercial	SY89824LHC	Sn-Pb
SY89824LHZ <sup>(3)</sup>	H64-1	Commercial	SY89824LHZ with Pb-Free bar-line indicator	Pb-Free Matte-Sn
SY89824LHZTR <sup>(2, 3)</sup>	H64-1	Commercial	SY89824LHZ with Pb-Free bar-line indicator	Pb-Free Matte-Sn

**Notes:**

1. Contact factory for die availability. Dice are guaranteed at  $T_A = 25^\circ\text{C}$ , DC electricals only.
2. Tape and Reel.
3. Pb-Free package recommended for new designs.

**PIN NAMES**

Pin	Function
HSTL_CLK, /HSTL_CLK	Differential HSTL Inputs
LVPECL_CLK, /LVPECL_CLK	Differential LVPECL Inputs
CLK_SEL	Input CLK Select (LVTTL)
OE	Output Enable (LVTTL)
Q0-Q21, /Q0-/Q21	Differential HSTL Outputs
GND	Ground
Vcci	Vcc Core
Vcco	Vcc Output

**TRUTH TABLE**

OE <sup>(1)</sup>	CLK_SEL	Q0-Q21	/Q0-/Q21
0	0	LOW	HIGH
0	1	LOW	HIGH
1	0	HSTL_CLK	/HSTL_CLK
1	1	LVPECL_CLK	/LVPECL_CLK

**SIGNAL GROUPS**

Level	Direction	Signal
HSTL	Input	HSTL_CLK, /HSTL_CLK
HSTL	Output	Q0-Q21, /Q0-/Q21
LVPECL	Input	LVPECL_CLK, /LVPECL_CLK
LVC MOS/LVTTL	Input	CLK_SEL, OE

**NOTE:**

- The OE (output enable) signal is synchronized with the low level of the HSTL\_CLK and LVPECL\_CLK signal.

**ABSOLUTE MAXIMUM RATINGS<sup>(1)</sup>**

Symbol	Rating	Value	Unit	
V <sub>CCI</sub> , V <sub>CCO</sub>	V <sub>CC</sub> Pin Potential to Ground Pin	-0.5 to +4.0	V	
V <sub>IN</sub>	Input Voltage	-0.5 to V <sub>CCI</sub>	V	
I <sub>OUT</sub>	DC Output Current (Output HIGH)	-50	mA	
T <sub>LEAD</sub>	Lead Temperature (soldering, 20sec.)	260	°C	
T <sub>store</sub>	Storage Temperature	-65 to +150	°C	
θ <sub>JA</sub>	Package Thermal Resistance (Junction-to-Ambient) With Die attach soldered to GND:	-Still-Air (TQFP)	23	°C/W
		-200lfpm (TQFP)	18	°C/W
		-500lfpm (TQFP)	15	°C/W
	With Die attach NOT soldered to GND:	-Still-Air (TQFP)	44	°C/W
		-200lfpm (TQFP)	36	°C/W
		-500lfpm (TQFP)	30	°C/W
θ <sub>JC</sub>	Package Thermal Resistance (Junction-to-Case)	4.3	°C/W	

**NOTE:**

- Permanent device damage may occur if absolute maximum ratings are exceeded. This is a stress rating only and functional operation is not implied at conditions other than those detailed in the operational sections of this data book. Exposure to absolute maximum rating conditions for extended periods may affect device reliability.

Micrel, Inc.

**DC ELECTRICAL CHARACTERISTICS****Power Supply**

Symbol	Parameter	T <sub>A</sub> = 0°C			T <sub>A</sub> = +25°C			T <sub>A</sub> = +85°C			Unit
		Min.	Typ.	Max.	Min.	Typ.	Max.	Min.	Typ.	Max.	
V <sub>CCI</sub>	V <sub>CC</sub> Core	3.0	3.3	3.6	3.0	3.3	3.6	3.0	3.3	3.6	V
V <sub>CCO</sub>	V <sub>CC</sub> Output	1.6	1.8	2.0	1.6	1.8	2.0	1.6	1.8	2.0	V
I <sub>CCI</sub>	I <sub>CC</sub> Core	—	115	140	—	115	140	—	115	140	mA

**HSTL**

Symbol	Parameter	T <sub>A</sub> = 0°C			T <sub>A</sub> = +25°C			T <sub>A</sub> = +85°C			Unit
		Min.	Typ.	Max.	Min.	Typ.	Max.	Min.	Typ.	Max.	
V <sub>OH</sub>	Output HIGH Voltage <sup>(1)</sup>	1.0	—	1.2	1.0	—	1.2	1.0	—	1.2	V
V <sub>OL</sub>	Output LOW Voltage <sup>(1)</sup>	0.2	—	0.4	0.2	—	0.4	0.2	—	0.4	V
V <sub>IH</sub>	Input HIGH Voltage	V <sub>X</sub> + 0.1	—	1.6	V <sub>X</sub> + 0.1	—	1.6	V <sub>X</sub> + 0.1	—	1.6	V
V <sub>IL</sub>	Input LOW Voltage	-0.3	—	V <sub>X</sub> - 0.1	-0.3	—	V <sub>X</sub> - 0.1	-0.3	—	V <sub>X</sub> - 0.1	V
V <sub>X</sub>	Input Crossover Voltage	0.68	—	0.9	0.68	—	0.9	0.68	—	0.9	V
I <sub>IH</sub>	Input HIGH Current	+20	—	-350	+20	—	-350	+20	—	-350	μA
I <sub>IL</sub>	Input LOW Current	—	—	-500	—	—	-500	—	—	-500	μA

**NOTE:**

1. Outputs loaded with 50Ω to ground.

**LVPECL**

Symbol	Parameter	T <sub>A</sub> = 0°C		T <sub>A</sub> = +25°C		T <sub>A</sub> = +85°C		Unit
		Min.	Max.	Min.	Max.	Min.	Max.	
V <sub>IH</sub>	Input HIGH Voltage	V <sub>CCI</sub> - 1.165	V <sub>CCI</sub> - 0.880	V <sub>CCI</sub> - 1.165	V <sub>CCI</sub> - 0.880	V <sub>CCI</sub> - 1.165	V <sub>CCI</sub> - 0.880	V
V <sub>IL</sub>	Input LOW Voltage	V <sub>CCI</sub> - 1.810	V <sub>CCI</sub> - 1.475	V <sub>CCI</sub> - 1.810	V <sub>CCI</sub> - 1.475	V <sub>CCI</sub> - 1.810	V <sub>CCI</sub> - 1.475	V
I <sub>IH</sub>	Input HIGH Current	—	+150	—	+150	—	+150	μA
I <sub>IL</sub>	Input LOW Current	0.5	—	0.5	—	0.5	—	μA

**LVC MOS/LVTTL**

Symbol	Parameter	T <sub>A</sub> = 0°C			T <sub>A</sub> = +25°C			T <sub>A</sub> = +85°C			Unit
		Min.	Typ.	Max.	Min.	Typ.	Max.	Min.	Typ.	Max.	
V <sub>IH</sub>	Input HIGH Voltage	2.0	—	—	2.0	—	—	2.0	—	—	V
V <sub>IL</sub>	Input LOW Voltage	—	—	0.8	—	—	0.8	—	—	0.8	V
I <sub>IH</sub>	Input HIGH Current	+20	—	-250	+20	—	-250	+20	—	-250	μA
I <sub>IL</sub>	Input LOW Current	—	—	-600	—	—	-600	—	—	-600	μA

**AC ELECTRICAL CHARACTERISTICS<sup>(1)</sup>**

Symbol	Parameter	T <sub>A</sub> = 0°C			T <sub>A</sub> = +25°C			T <sub>A</sub> = +85°C			Unit
		Min.	Typ.	Max.	Min.	Typ.	Max.	Min.	Typ.	Max.	
t <sub>PD</sub>	Propagation Delay <sup>(2)</sup>	—	1.0	—	—	1.0	—	—	1.0	—	ns
t <sub>SKREW</sub>	Within-Device Skew <sup>(3)</sup>	—	—	50	—	—	50	—	—	50	ps
t <sub>SKPP</sub>	Part-to-Part Skew <sup>(4)</sup>	—	—	200	—	—	200	—	—	200	ps
V <sub>PP</sub>	Minimum Input Swing <sup>(5)</sup> LVPECL_CLK	600	—	—	600	—	—	600	—	—	mV
V <sub>CMR</sub>	Common Mode Range <sup>(6)</sup> LVPECL_CLK	-1.5	—	-0.4	-1.5	—	-0.4	-1.5	—	-0.4	V
t <sub>S</sub>	OE Set-Up Time <sup>(7)</sup>	1.0	—	—	1.0	—	—	1.0	—	—	ns
t <sub>H</sub>	OE Hold Time	0.5	—	—	0.5	—	—	0.5	—	—	ns
t <sub>r</sub> t <sub>f</sub>	Output Rise/Fall Time (20% – 80%)	300	—	700	300	—	700	300	—	700	ps

**NOTES:**

1. Outputs loaded with 50Ω to ground. Airflow ≥ 300lfpm.
2. Differential propagation delay is defined as the delay from the crossing point of the differential input signals to the crossing point of the differential output signals.
3. The within-device skew is defined as the worst case difference between any two similar delay paths within a single device operating at the same voltage and temperature.
4. The part-to-part skew is defined as the absolute worst case difference between any two delay paths on any two devices operating at the same voltage and temperature.
5. The V<sub>PP</sub>(min.) is defined as the minimum input differential voltage which will cause no increase in the propagation delay.
6. V<sub>CMR</sub> is defined as the range within which the V<sub>IH</sub> level may vary, with the device still meeting the propagation delay specification. The numbers in the table are referenced to V<sub>CCI</sub>. The V<sub>IL</sub> level must be such that the peak-to-peak voltage is less than 1.0V and greater than or equal to V<sub>PP</sub>(min.). The lower end of the CMR range varies 1:1 with V<sub>CCI</sub>. The V<sub>CMR</sub>(min) will be fixed at 3.3V – |V<sub>CMR</sub>(min)|.
7. OE set-up time is defined with respect to the rising edge of the clock. OE HIGH to LOW transition ensures outputs remain disabled during the next clock cycle. OE LOW to HIGH transition enables normal operation of the next input clock.

## WAVEFORMS

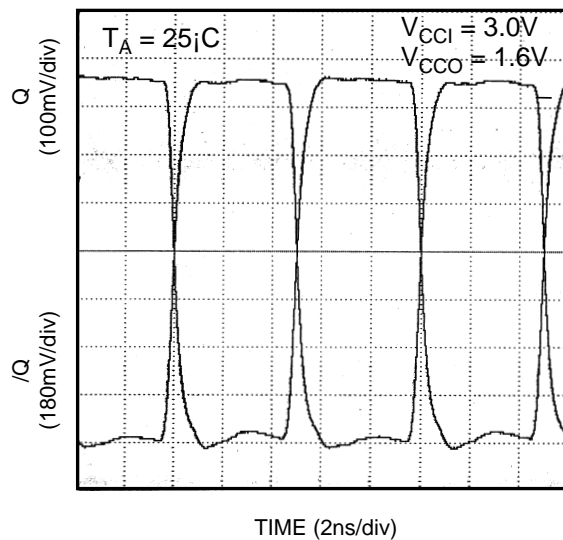


Figure 1. 100MHz Output Waveform

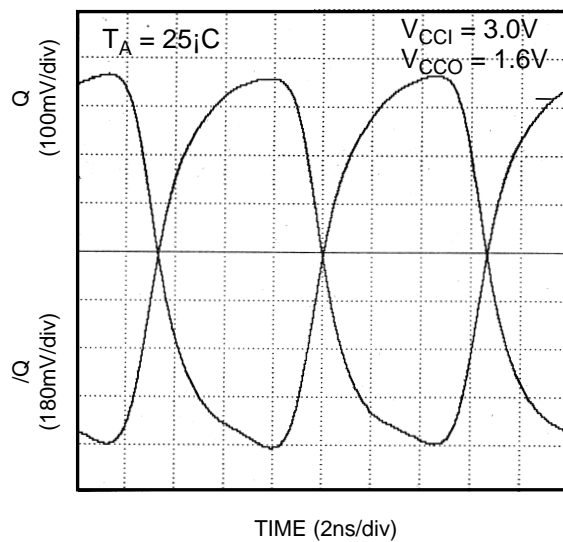
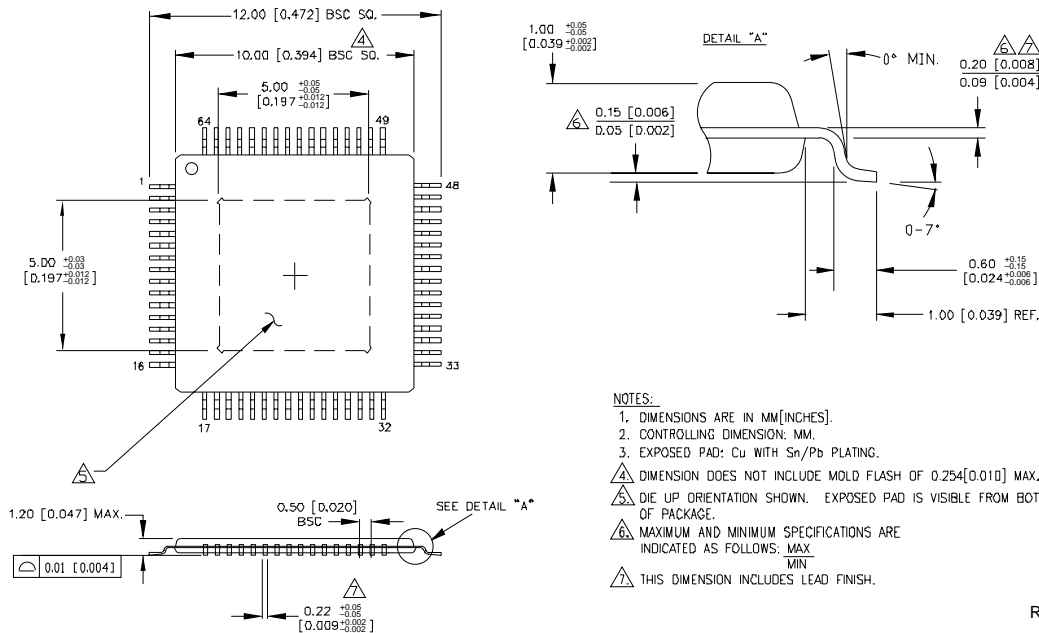
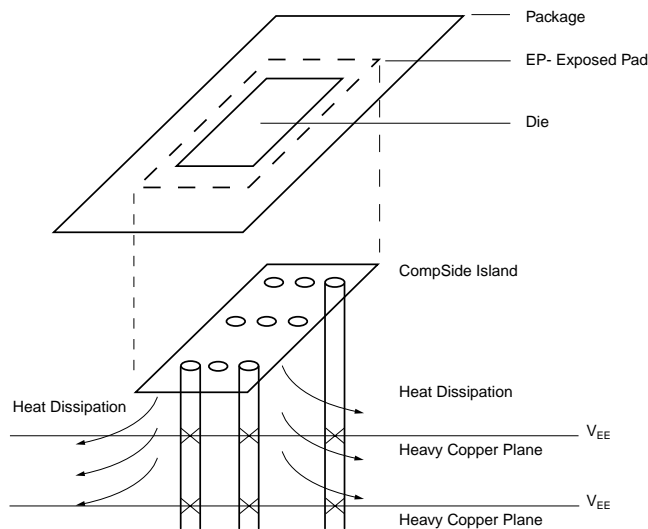


Figure 2. 300MHz Output Waveform



**64-PIN EPAD-TQFP (DIE UP) (H64-1)**

Rev. 02

**PCB Thermal Consideration for 64-Pin EPAD-TQFP Package  
(Always solder, or equivalent, the exposed pad to the PCB)****Package Notes:**

- Note 1.** Package meets Level 2 qualification.
- Note 2.** All parts are 100% baked and dry-packaged before shipment.
- Note 3.** Exposed pads must be soldered to a ground for proper thermal management.

**MICREL, INC. 2180 FORTUNE DRIVE SAN JOSE, CA 95131 USA**TEL + 1 (408) 944-0800 FAX + 1 (408) 944-0970 WEB <http://www.micrel.com>

The information furnished by Micrel in this data sheet is believed to be accurate and reliable. However, no responsibility is assumed by Micrel for its use. Micrel reserves the right to change circuitry and specifications at any time without notification to the customer.

Micrel Products are not designed or authorized for use as components in life support appliances, devices or systems where malfunction of a product can reasonably be expected to result in personal injury. Life support devices or systems are devices or systems that (a) are intended for surgical implant into the body or (b) support or sustain life, and whose failure to perform can be reasonably expected to result in a significant injury to the user. A Purchaser's use or sale of Micrel Products for use in life support appliances, devices or systems is at Purchaser's own risk and Purchaser agrees to fully indemnify Micrel for any damages resulting from such use or sale.

© 2005 Micrel, Incorporated.

## OUR CERTIFICATE

DiGi provide top-quality products and perfect service for customer worldwide through standardization, technological innovation and continuous improvement. DiGi through third-party certification, we stricly control the quality of products and services. Welcome your RFQ to

Email: [Info@DiGi-Electronics.com](mailto:Info@DiGi-Electronics.com)



Tel: +00 852-30501935

RFQ Email: [Info@DiGi-Electronics.com](mailto:Info@DiGi-Electronics.com)

DiGi is a global authorized distributor of electronic components.