

# 35MS52R2MEFC4X5 Datasheet

[www.digi-electronics.com](http://www.digi-electronics.com)



<https://www.DiGi-Electronics.com>

DiGi Electronics Part Number	35MS52R2MEFC4X5-DG
Manufacturer	<a href="#">Rubycon</a>
Manufacturer Product Number	35MS52R2MEFC4X5
Description	CAP ALUM 2.2UF 20% 35V RADIAL
Detailed Description	2.2 $\mu$ F 35 V Aluminum Electrolytic Capacitors Radial, Can 1000 Hrs @ 85°C

This model 35MS52R2MEFC4X5 is available at DiGi Electronics.

DiGi Electronics offers a global database of semiconductor and electronic component datasheets.

We welcome your inquiries regarding pricing, lead time, or other product-related questions.

 [Request a Quote](#)

 [Datasheet Search](#)



Tel: +00 852-30501935

RFQ Email: [Info@DiGi-Electronics.com](mailto:Info@DiGi-Electronics.com)

DiGi is a global authorized distributor of electronic components.

## Purchase and inquiry

Manufacturer Product Number:

35MS52R2MEFC4X5

Series:

MS5

Capacitance:

2.2  $\mu$ F

Voltage - Rated:

35 V

Lifetime @ Temp.:

1000 Hrs @ 85°C

Polarization:

Polar

Applications:

General Purpose

Ripple Current @ High Frequency:

13.5 mA @ 10 kHz

Size / Dimension:

0.157" Dia (4.00mm)

Surface Mount Land Size:

-

Package / Case:

Radial, Can

Manufacturer:

Rubycon

Product Status:

Obsolete

Tolerance:

$\pm$ 20%

ESR (Equivalent Series Resistance):

-

Operating Temperature:

-40°C ~ 85°C

Ratings:

-

Ripple Current @ Low Frequency:

9 mA @ 120 Hz

Lead Spacing:

0.059" (1.50mm)

Height - Seated (Max):

0.256" (6.50mm)

Mounting Type:

Through Hole

## Environmental & Export classification

RoHS Status:

ROHS3 Compliant

REACH Status:

REACH Unaffected

HTSUS:

8532.22.0020

Moisture Sensitivity Level (MSL):

Not Applicable

ECCN:

EAR99

# リード線形アルミニウム電解コンデンサ

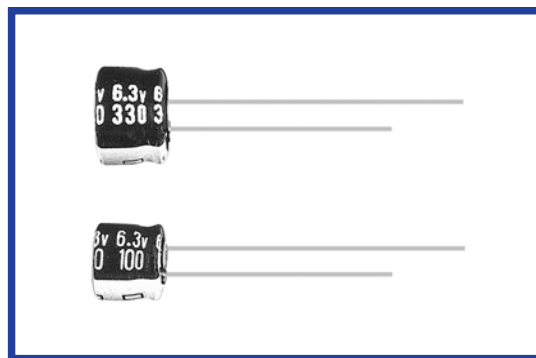
## RADIAL LEAD ALUMINUM ELECTROLYTIC CAPACITORS

MS5

**MS5 シリーズ**  
**SERIES**
**85°C 高さ5mm品**  
**85°C 5mm Height**

 ・85°C 1000時間品。  
 Load Life : 85°C 1000 hours.

**生産中止品**  
**OBSOLETE PRODUCTS**

 RoHS  
 compliance

**◆規格表 / SPECIFICATIONS**

項目 Items	特性 Characteristics																								
カテゴリ温度範囲 Category Temperature Range	-40~+85°C																								
定格電圧範囲 Rated Voltage Range	4~50Vdc																								
静電容量許容差 Capacitance Tolerance	±20% (20°C, 120Hz)																								
漏れ電流 Leakage Current (MAX)	I=0.01CV又は3μAのいずれか大なる値以下 (定格電圧印加2分後) I=0.01CV or 3μA whichever is greater. (After 2 minutes application of rated voltage) I=漏れ電流(μA) Leakage Current      C=静電容量(μF) Capacitance      V=定格電圧(Vdc) Rated Voltage																								
損失角の正接 (tanδ) Dissipation Factor (MAX)	<table border="1"> <thead> <tr> <th>定格電圧(Vdc) Rated Voltage</th> <th>4</th> <th>6.3</th> <th>10</th> <th>16</th> <th>25</th> <th>35</th> <th>50</th> </tr> </thead> <tbody> <tr> <td>tanδ</td> <td>0.35</td> <td>0.26</td> <td>0.22</td> <td>0.18</td> <td>0.16</td> <td>0.14</td> <td>0.12</td> </tr> </tbody> </table> (20°C, 120Hz)	定格電圧(Vdc) Rated Voltage	4	6.3	10	16	25	35	50	tanδ	0.35	0.26	0.22	0.18	0.16	0.14	0.12								
定格電圧(Vdc) Rated Voltage	4	6.3	10	16	25	35	50																		
tanδ	0.35	0.26	0.22	0.18	0.16	0.14	0.12																		
耐久 Endurance	85°C中で1000時間定格電圧(リップル重畳)印加後、下記項目を満足すること。 After applying rated voltage with rated ripple current for 1000 hrs at 85°C, the capacitors shall meet the following requirements. <table border="1"> <tbody> <tr> <td>静電容量変化率 Capacitance Change</td> <td>初期値の±25%以内 Within ±25% of the initial value.</td> </tr> <tr> <td>損失角の正接 Dissipation Factor</td> <td>規格値の200%以下 Not more than 200% of the specified value.</td> </tr> <tr> <td>漏れ電流 Leakage Current</td> <td>規格値以下 Not more than the specified value.</td> </tr> </tbody> </table>	静電容量変化率 Capacitance Change	初期値の±25%以内 Within ±25% of the initial value.	損失角の正接 Dissipation Factor	規格値の200%以下 Not more than 200% of the specified value.	漏れ電流 Leakage Current	規格値以下 Not more than the specified value.																		
静電容量変化率 Capacitance Change	初期値の±25%以内 Within ±25% of the initial value.																								
損失角の正接 Dissipation Factor	規格値の200%以下 Not more than 200% of the specified value.																								
漏れ電流 Leakage Current	規格値以下 Not more than the specified value.																								
低温特性 Low Temperature Stability (インピーダンス比) Impedance Ratio (MAX)	<table border="1"> <thead> <tr> <th>定格電圧(Vdc) Rated Voltage</th> <th>4</th> <th>6.3</th> <th>10</th> <th>16</th> <th>25</th> <th>35</th> <th>50</th> </tr> </thead> <tbody> <tr> <td>Z(-25°C)/Z(20°C)</td> <td>7</td> <td>6</td> <td>4</td> <td>4</td> <td>3</td> <td>2</td> <td>2</td> </tr> <tr> <td>Z(-40°C)/Z(20°C)</td> <td>15</td> <td>12</td> <td>10</td> <td>8</td> <td>6</td> <td>4</td> <td>4</td> </tr> </tbody> </table> (120Hz)	定格電圧(Vdc) Rated Voltage	4	6.3	10	16	25	35	50	Z(-25°C)/Z(20°C)	7	6	4	4	3	2	2	Z(-40°C)/Z(20°C)	15	12	10	8	6	4	4
定格電圧(Vdc) Rated Voltage	4	6.3	10	16	25	35	50																		
Z(-25°C)/Z(20°C)	7	6	4	4	3	2	2																		
Z(-40°C)/Z(20°C)	15	12	10	8	6	4	4																		

**◆リップル電流補正係数 / MULTIPLIER FOR RIPPLE CURRENT**

周波数係数 Frequency coefficient

周波数 (Hz) Frequency	60(50)	120	500	1k	10k≤
0.47~1μF	0.50	1.00	1.20	1.30	1.50
1.5~6.8μF	0.65	1.00	1.20	1.30	1.50
10~68μF	0.80	1.00	1.20	1.30	1.50
100~470μF	0.80	1.00	1.10	1.15	1.20

**◆副記号 / OPTION**

	記号 Code
PETスリーブ PET Sleeve	EFC

**◆呼称方法 / PART NUMBER**

□□□	MS5	□□□□□	M	□□□	□□	D×L
定格電圧 Rated Voltage	シリーズ名 Series	静電容量 Capacitance	静電容量許容差 Capacitance Tolerance	副記号 Option	リード加工記号 Lead Forming	ケースサイズ Case Size

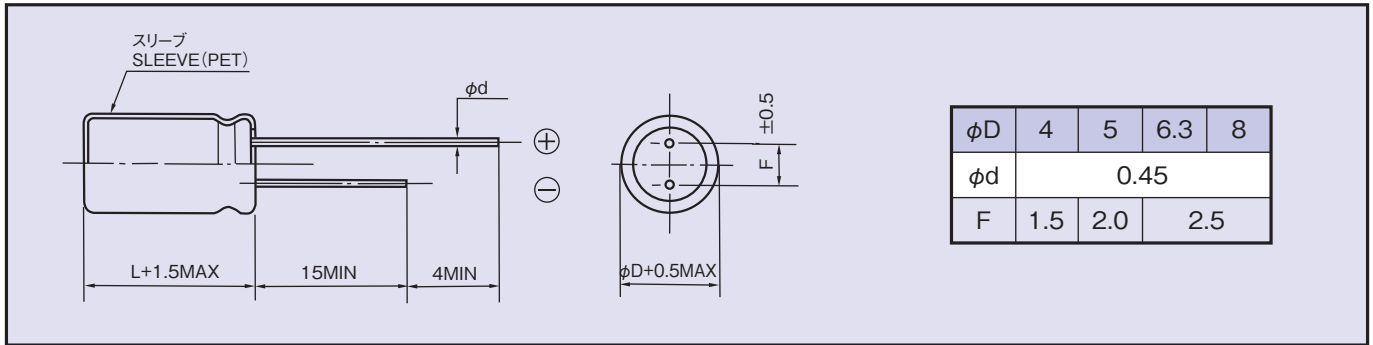
# リード線形アルミニウム電解コンデンサ

## RADIAL LEAD ALUMINUM ELECTROLYTIC CAPACITORS

MS5

## ◆寸法図 / DIMENSIONS

(mm)



## ◆標準品一覧表 / STANDARD SIZE

Size  $\phi D \times L$ (mm), Rated Ripple Current (mA r.m.s./85°C, 120Hz)

定格電圧 Vdc 静電容量 Cap(μF)	4		6.3		10		16	
	Size	Ripple	Size	Ripple	Size	Ripple	Size	Ripple
4.7							4×5	11
6.8					4×5	10	4×5	13
10			4×5	14	4×5	16	4×5	18
15			4×5	18	4×5	22	5×5	26
22	4×5	20	4×5	22	5×5	30	5×5	35
33	4×5	27	5×5	34	5×5	45	6.3×5	51
47	4×5	37	5×5	37	6.3×5	50	6.3×5	65
68	5×5	45	6.3×5	55	6.3×5	59	6.3×5	70
100	5×5	62	6.3×5	62	6.3×5	80	8×5	92
220	6.3×5	74	8×5	120	8×5	145		
330	8×5	145	8×5	145				
470	8×5	181						

定格電圧 Vdc 静電容量 Cap(μF)	25		35		50	
	Size	Ripple	Size	Ripple	Size	Ripple
0.47					4×5	6
0.68					4×5	7
1					4×5	8.6
1.5					4×5	8.7
2.2			4×5	9	4×5	9.1
3.3	4×5	11	4×5	12	4×5	13
4.7	4×5	13	4×5	14	5×5	20
6.8	4×5	19	5×5	20	6.3×5	26
10	5×5	27	5×5	27	6.3×5	31
15	5×5	33	6.3×5	35	6.3×5	39
22	6.3×5	46	6.3×5	46	8×5	60
33	6.3×5	54	8×5	65	8×5	80
47	6.3×5	65	8×5	85		
68	8×5	90				
100	8×5	120				

## OUR CERTIFICATE

DiGi provide top-quality products and perfect service for customer worldwide through standardization, technological innovation and continuous improvement. DiGi through third-party certification, we stricly control the quality of products and services. Welcome your RFQ to

Email: [Info@DiGi-Electronics.com](mailto:Info@DiGi-Electronics.com)



Tel: +00 852-30501935

RFQ Email: [Info@DiGi-Electronics.com](mailto:Info@DiGi-Electronics.com)

DiGi is a global authorized distributor of electronic components.