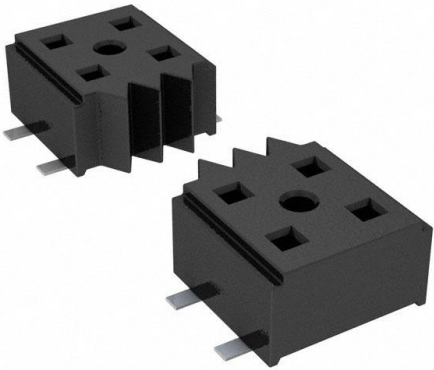


CLT-112-02-F-D-BE Datasheet

www.digi-electronics.com



<https://www.DiGi-Electronics.com>

DiGi Electronics Part Number	CLT-112-02-F-D-BE-DG
Manufacturer	Samtec Inc.
Manufacturer Product Number	CLT-112-02-F-D-BE
Description	CONN RCPT 24POS 0.079 GOLD SMD
Detailed Description	24 Position Receptacle, Bottom Entry Connector 0.079" (2.00mm) Surface Mount Gold

This model CLT-112-02-F-D-BE is available at DiGi Electronics.

DiGi Electronics offers a global database of semiconductor and electronic component datasheets.

We welcome your inquiries regarding pricing, lead time, or other product-related questions.

 [Request a Quote](#)

 [Datasheet Search](#)



Tel: +00 852-30501935

RFQ Email: Info@DiGi-Electronics.com

DiGi is a global authorized distributor of electronic components.

Purchase and inquiry

Manufacturer Product Number:

CLT-112-02-F-D-BE

Series:

CLT

Connector Type:

Receptacle, Bottom Entry

Style:

Board to Board

Number of Positions Loaded:

All

Number of Rows:

2

Mounting Type:

Surface Mount

Fastening Type:

Push-Pull

Contact Finish Thickness - Mating:

3.00µin (0.076µm)

Insulation Height:

0.083" (2.10mm)

Operating Temperature:

-55°C ~ 125°C

Contact Finish - Post:

Tin

Ingress Protection:

-

Current Rating (Amps):

4.1A per Contact

Applications:

-

Contact Shape:

Square

Contact Finish Thickness - Post:

-

Manufacturer:

Samtec Inc.

Product Status:

Active

Contact Type:

Female Socket

Number of Positions:

24

Pitch - Mating:

0.079" (2.00mm)

Row Spacing - Mating:

0.079" (2.00mm)

Termination:

Solder

Contact Finish - Mating:

Gold

Insulation Color:

Black

Contact Length - Post:

-

Material Flammability Rating:

UL94 V-0

Mated Stacking Heights:

-

Features:

-

Voltage Rating:

-

Insulation Material:

Liquid Crystal Polymer (LCP)

Contact Material:

Phosphor Bronze

Base Product Number:

CLT-112

Environmental & Export classification

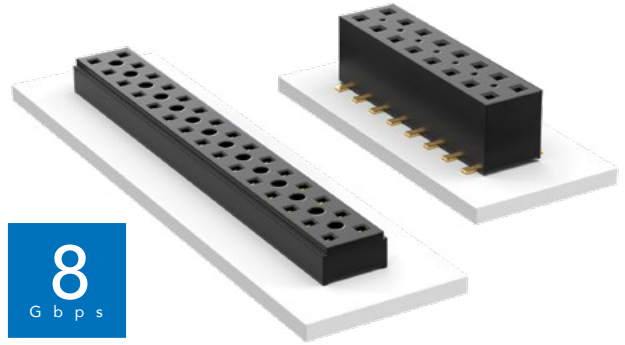
DiGi is a global authorized distributor of electronic components.

RoHS Status:

Moisture Sensitivity Level (MSL):

COST-EFFECTIVE & DUAL WIPE SOCKETS

(2.00 mm) .0787" PITCH • TLE/CLT SERIES



TLE
Mates:
 TMMH, TMM, MTMM,
 MMT, TW, LTMM, ZLTMM,
 TCMD, TSH

CLT
Mates:
 TMM, TMMH, MTMM,
 MMT, TW, TSH

SPECIFICATIONS

TLE
Insulator Material:
 Black Liquid Crystal Polymer
Contact Material:
 Phosphor Bronze
Plating:
 Au over 50 μ" (1.27 μm) Ni
Current Rating (TLE/TMMH):
 3.2 A per pin
 (2 pins powered)
Operating Temp Range:
 -55 °C to +125 °C
Insertion Depth:
 (2.08 mm) .082" to
 (4.37 mm) .172" with
 (0.38 mm) .015" wipe,
 pass-through, or
 (3.35 mm) .132" min
 for bottom entry

CLT
 Same as TLE except:
Plating:
 Sn or Au over 50 μ" (1.27 μm) Ni
Current Rating (TMMH/CLT):
 4.1 A per pin
 (2 pins powered)
Insertion Depth:
 Top Entry=
 (1.40 mm) .055" minimum
 Bottom Entry=
 (2.57 mm) .101" minimum
 (add board thickness for
 correct post OAL)
Max Cycles:
 100 with 10 μ" (0.25 μm) Au


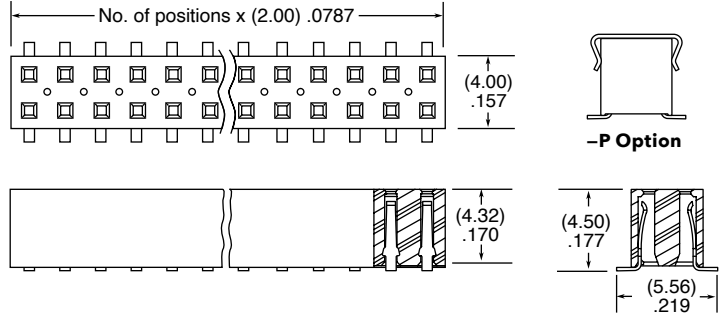
PROCESSING

TLE
Lead-Free Solderable:
 Yes
SMT Lead Coplanarity:
 (0.10 mm) .004" max (02-26)
 (0.15 mm) .006" max (27-50)*
 *(.004" stencil solution
 may be available; contact
 ipg@samtec.com)


CLT
 Same as TLE except:
SMT Lead Coplanarity:
 (0.10 mm) .004" max (02-25)
 (0.15 mm) .006" max (26-34)*
 (0.20 mm) .008" max (35-50)*
 *(.004" stencil solution
 may be available; contact
 ipg@samtec.com)

Note:
 Some lengths, styles and
 options are non-standard,
 non-returnable.

TLE	1	NO. PINS PER ROW	01	PLATING OPTION	DV	OPTIONS
		02 thru 50			-G = 10 μ" (0.25 μm) Gold	-A = Alignment Pin (3 positions minimum) -K = (5.00 mm) .197" DIA Polyimide Film Pick & Place Pad (3 positions minimum) -P = Metal Pick & Place Pad (4 positions minimum) -TR = Tape & Reel Packaging (2-37 positions only) -FR = Full Reel Tape & Reel (must order maximum quantity per reel; contact Samtec for quantity breaks) (2-37 positions only)

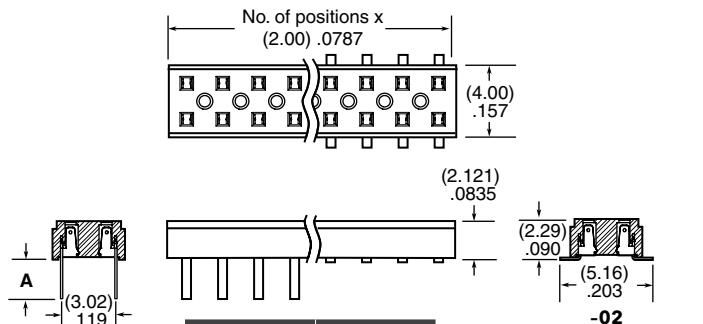



CLT	1	NO. PINS PER ROW	LEAD STYLE	PLATING OPTION	D	OTHER OPTIONS
		02 thru 50	-01 = Through-hole -02 = Surface Mount -03 = Through-hole	-F = Gold flash on contact, Matte Tin on tail -L = 10 μ" (0.25 μm) Gold on contact, Matte Tin on tail -G = 10 μ" (0.25 μm) Gold on contact, Gold flash on tail		All options require Style -02 -BE = Bottom Entry (Required for bottom entry applications) -A = Alignment Pin (3 positions minimum) Metal or plastic at Samtec's discretion -K = (5.00 mm) .197" DIA Polyimide Film Pick & Place Pad (04 thru 50 only) -P = Pick & Place Pad (4 positions minimum) (Not always necessary for auto placement.) -TR = Tape & Reel (36 positions max) -FR = Full Reel Tape & Reel (must order maximum quantity per reel; contact Samtec for quantity breaks) (36 positions max)

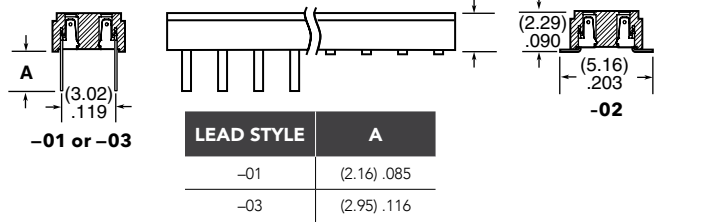


ALSO AVAILABLE
 MOQ Required

Other Platings



LEAD STYLE	A
-01	(2.16) .085
-03	(2.95) .116



OUR CERTIFICATE

DiGi provide top-quality products and perfect service for customer worldwide through standardization, technological innovation and continuous improvement. DiGi through third-party certification, we stricly control the quality of products and services. Welcome your RFQ to

Email: Info@DiGi-Electronics.com



Tel: +00 852-30501935

RFQ Email: Info@DiGi-Electronics.com

DiGi is a global authorized distributor of electronic components.