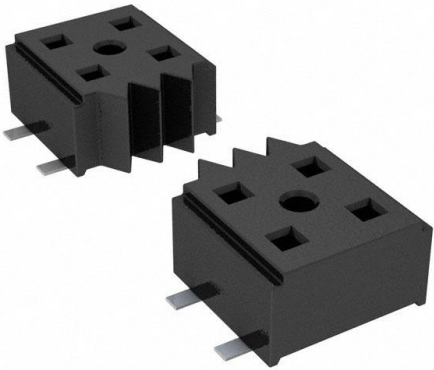


# CLT-112-02-S-D-BE Datasheet

[www.digi-electronics.com](http://www.digi-electronics.com)



<https://www.DiGi-Electronics.com>

DiGi Electronics Part Number	CLT-112-02-S-D-BE-DG
Manufacturer	<a href="#">Samtec Inc.</a>
Manufacturer Product Number	CLT-112-02-S-D-BE
Description	CONN RCPT 24POS 0.079 GOLD SMD
Detailed Description	24 Position Receptacle, Bottom Entry Connector 0.079" (2.00mm) Surface Mount Gold

This model CLT-112-02-S-D-BE is available at DiGi Electronics.

DiGi Electronics offers a global database of semiconductor and electronic component datasheets.

We welcome your inquiries regarding pricing, lead time, or other product-related questions.

 [Request a Quote](#)

 [Datasheet Search](#)



Tel: +00 852-30501935

RFQ Email: [Info@DiGi-Electronics.com](mailto:Info@DiGi-Electronics.com)

DiGi is a global authorized distributor of electronic components.

## Purchase and inquiry

Manufacturer Product Number:

CLT-112-02-S-D-BE

Series:

CLT

Connector Type:

Receptacle, Bottom Entry

Style:

Board to Board

Number of Positions Loaded:

All

Number of Rows:

2

Mounting Type:

Surface Mount

Fastening Type:

Push-Pull

Contact Finish Thickness - Mating:

30.0µin (0.76µm)

Insulation Height:

0.083" (2.10mm)

Operating Temperature:

-55°C ~ 125°C

Contact Finish - Post:

Tin

Ingress Protection:

-

Current Rating (Amps):

4.1A per Contact

Applications:

-

Contact Shape:

Square

Contact Finish Thickness - Post:

-

Manufacturer:

Samtec Inc.

Product Status:

Active

Contact Type:

Female Socket

Number of Positions:

24

Pitch - Mating:

0.079" (2.00mm)

Row Spacing - Mating:

0.079" (2.00mm)

Termination:

Solder

Contact Finish - Mating:

Gold

Insulation Color:

Black

Contact Length - Post:

-

Material Flammability Rating:

UL94 V-0

Mated Stacking Heights:

-

Features:

-

Voltage Rating:

-

Insulation Material:

Liquid Crystal Polymer (LCP)

Contact Material:

Phosphor Bronze

Base Product Number:

CLT-112

## Environmental & Export classification

DiGi is a global authorized distributor of electronic components.

RoHS Status:

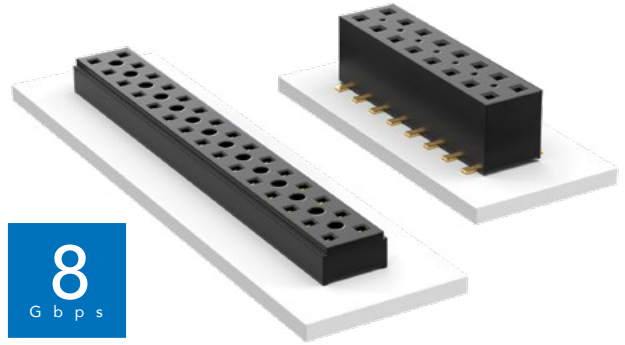
RoHS Compliant

Moisture Sensitivity Level (MSL):

MSL1 (Unlimited)

# COST-EFFECTIVE & DUAL WIPE SOCKETS

(2.00 mm) .0787" PITCH • TLE/CLT SERIES



**TLE**  
**Mates:**  
 TMMH, TMM, MTMM,  
 MMT, TW, LTMM, ZLTMM,  
 TCMD, TSH

**CLT**  
**Mates:**  
 TMM, TMMH, MTMM,  
 MMT, TW, TSH

## SPECIFICATIONS

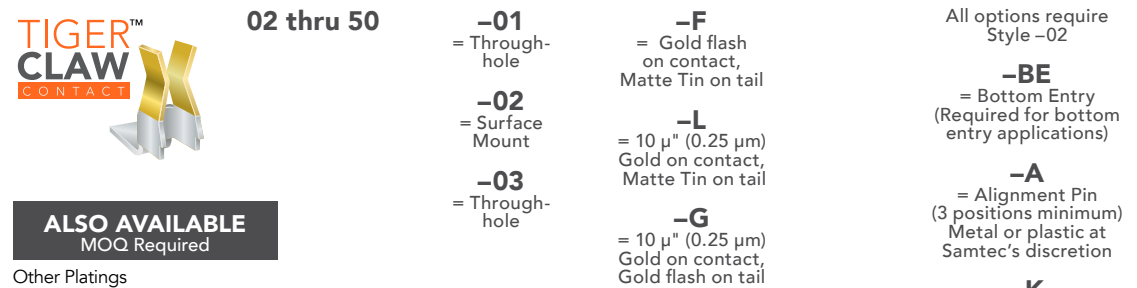
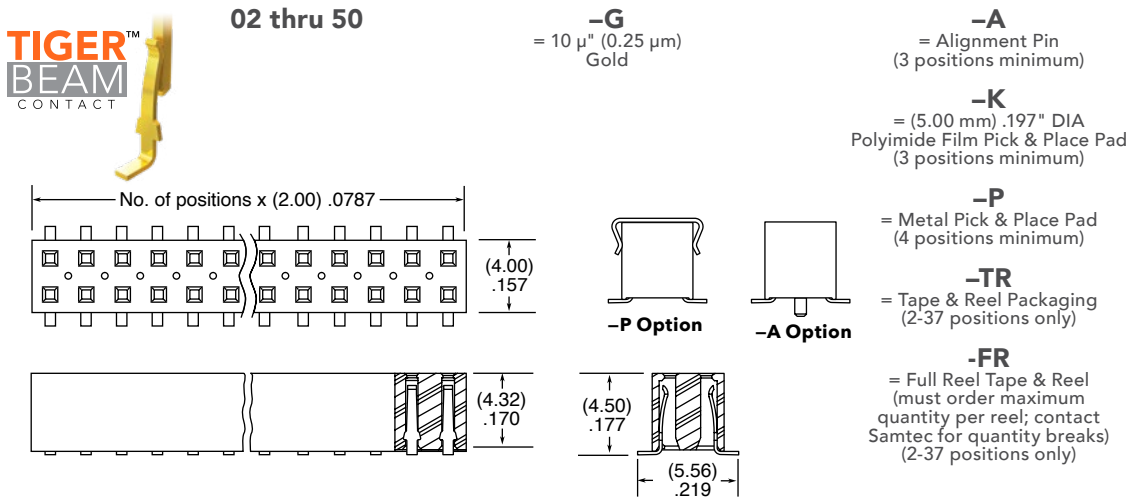
**TLE**  
**Insulator Material:**  
 Black Liquid Crystal Polymer  
**Contact Material:**  
 Phosphor Bronze  
**Plating:**  
 Au over 50 μ" (1.27 μm) Ni  
**Current Rating (TLE/TMMH):**  
 3.2 A per pin  
 (2 pins powered)  
**Operating Temp Range:**  
 -55 °C to +125 °C  
**Insertion Depth:**  
 (2.08 mm) .082" to  
 (4.37 mm) .172" with  
 (0.38 mm) .015" wipe,  
 pass-through, or  
 (3.35 mm) .132" min  
 for bottom entry

**CLT**  
 Same as TLE except:  
**Plating:**  
 Sn or Au over 50 μ" (1.27 μm) Ni  
**Current Rating (TMMH/CLT):**  
 4.1 A per pin  
 (2 pins powered)  
**Insertion Depth:**  
 Top Entry=  
 (1.40 mm) .055" minimum  
 Bottom Entry=  
 (2.57 mm) .101" minimum  
 (add board thickness for  
 correct post OAL)  
**Max Cycles:**  
 100 with 10 μ" (0.25 μm) Au

## PROCESSING

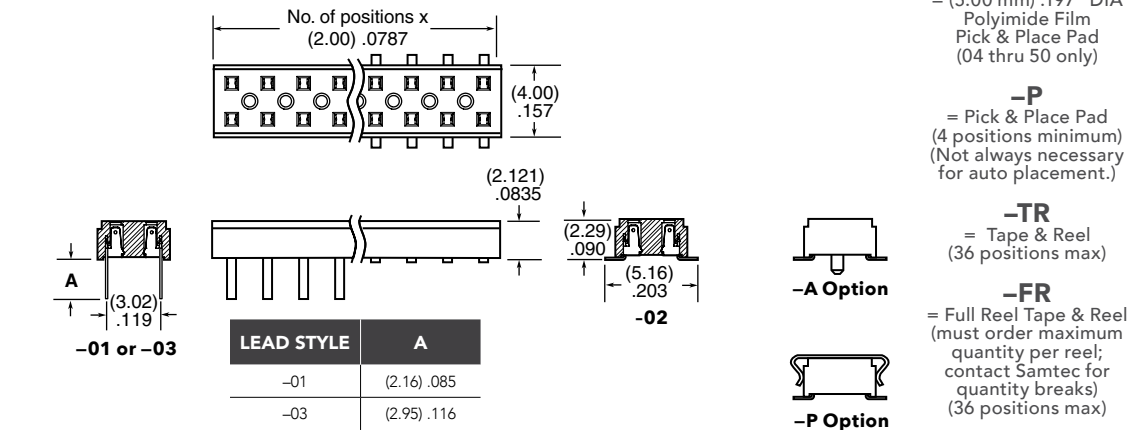
**TLE**  
**Lead-Free Solderable:**  
 Yes  
**SMT Lead Coplanarity:**  
 (0.10 mm) .004" max (02-26)  
 (0.15 mm) .006" max (27-50)\*  
 \*(.004" stencil solution  
 may be available; contact  
 ipg@samtec.com)  
**CLT**  
 Same as TLE except:  
**SMT Lead Coplanarity:**  
 (0.10 mm) .004" max (02-25)  
 (0.15 mm) .006" max (26-34)\*  
 (0.20 mm) .008" max (35-50)\*  
 \*(.004" stencil solution  
 may be available; contact  
 ipg@samtec.com)

**Note:**  
 Some lengths, styles and  
 options are non-standard,  
 non-returnable.



**ALSO AVAILABLE**  
 MOQ Required

Other Platings



## OUR CERTIFICATE

DiGi provide top-quality products and perfect service for customer worldwide through standardization, technological innovation and continuous improvement. DiGi through third-party certification, we strictly control the quality of products and services. Welcome your RFQ to

Email: [Info@DiGi-Electronics.com](mailto:Info@DiGi-Electronics.com)



Tel: +00 852-30501935

RFQ Email: [Info@DiGi-Electronics.com](mailto:Info@DiGi-Electronics.com)

DiGi is a global authorized distributor of electronic components.