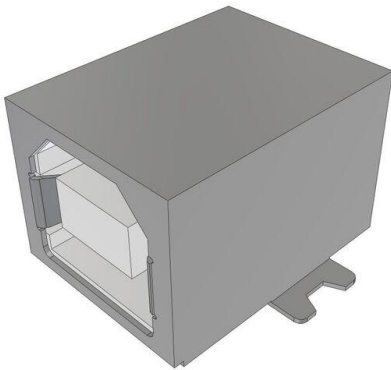


# USB-B-S-S-W-SM-TR Datasheet

[www.digi-electronics.com](http://www.digi-electronics.com)



<https://www.DiGi-Electronics.com>

DiGi Electronics Part Number	USB-B-S-S-W-SM-TR-DG
Manufacturer	<a href="#">Samtec Inc.</a>
Manufacturer Product Number	USB-B-S-S-W-SM-TR
Description	CONN RCPT USB2.0 TYPEB 4P SMD RA
Detailed Description	USB-B (USB TYPE-B) USB 2.0 Receptacle Connector 4 Position Surface Mount, Right Angle

This model USB-B-S-S-W-SM-TR is available at DiGi Electronics.

DiGi Electronics offers a global database of semiconductor and electronic component datasheets.

We welcome your inquiries regarding pricing, lead time, or other product-related questions.

 [Request a Quote](#)

 [Datasheet Search](#)



Tel: +00 852-30501935

RFQ Email: [Info@DiGi-Electronics.com](mailto:Info@DiGi-Electronics.com)

DiGi is a global authorized distributor of electronic components.

## Purchase and inquiry

Manufacturer Product Number:

USB-B-S-S-W-SM-TR

Series:

USB-B

Connector Type:

USB-B (USB TYPE-B)

Gender:

Receptacle

Mounting Type:

Surface Mount, Right Angle

Termination:

Solder

Ingress Protection:

-

Number of Ports:

1

Voltage - Rated:

30VAC

Shielding:

-

Shell/Shielding Material:

Steel

Insulation Color:

White

Manufacturer:

Samtec Inc.

Product Status:

Active

Number of Contacts:

4

Specifications:

USB 2.0

Mounting Feature:

Horizontal

Features:

Board Guide, Solder Retention

Operating Temperature:

-50°C ~ 85°C

Current Rating (Amps):

-

Mating Cycles:

1500

Contact Finish:

Gold

Material Flammability Rating:

UL94 V-0

Base Product Number:

USB-B

## Environmental & Export classification

RoHS Status:

ROHS3 Compliant

REACH Status:

REACH Unaffected

HTSUS:

8536.69.4040

Moisture Sensitivity Level (MSL):

1 (Unlimited)

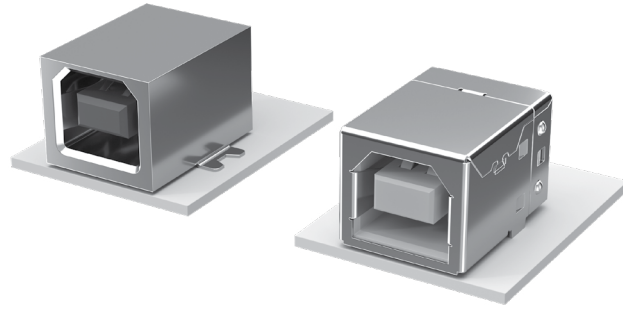
ECCN:

EAR99



# STANDARD & RUGGED USB 2.0

## USB-B/USBR-B SERIES



### SPECIFICATIONS

**Insulator Material:**

High Temperature Thermoplastic

**Contact Material:**

Phosphor Bronze

**Plating:**

Gold on Contacts, Nickel on Shell, Tin on Tails

**Operating Temp Range:**

-50 °C to +85 °C

**Voltage Rating:**

30 VAC

**Cycles:**

1500 (maximum number of cycles tested)

**Packaging:**

Packaged and shipped in Bulk Packaging Trays; Trays suitable for automation are available upon request.

**Lead-Free Solderable:**

USB-SM=Yes  
USB-TH=No, Lead Wave Only  
USB-VT=No, Lead Wave Only  
USBR=Yes

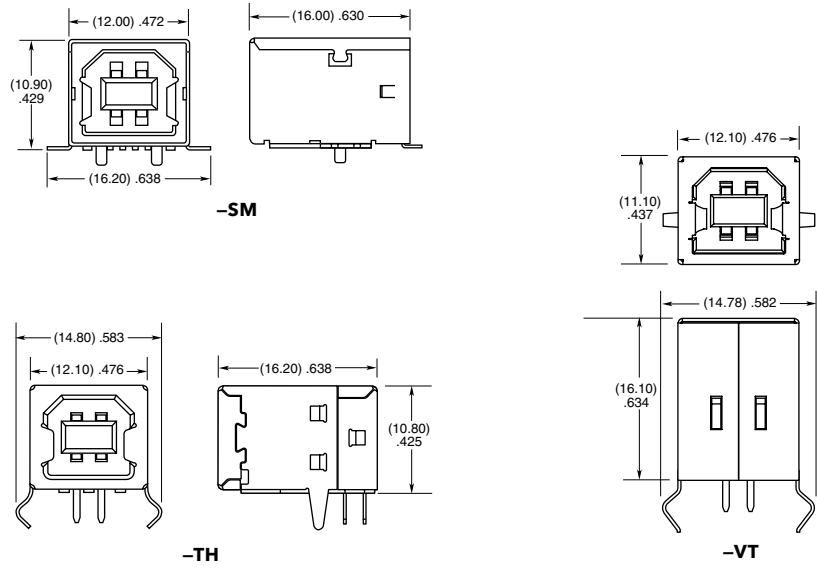
**TID Number:**

USB-B-S-X-X-TH (61001155)

SERIES	B	S	PLATING	COLOR	TERMINATION	OTHER OPTION
--------	---	---	---------	-------	-------------	--------------

<b>USB</b> = Standard Connector						
<b>USBR</b> = Increased Retention Connector (Complies with Class 1, DIV II minimum withdrawal requirement of 15N)						
			<b>-F</b> = Gold Flash on Mating Area, Tin on Tails			
			<b>-S</b> = 30 μm (0.76 μm) Gold on Mating Area, Tin on Tails			
				<b>-B</b> = Black (USB only)		
				<b>-W</b> = White (USB only)		
				<b>-O</b> = Pantone 2028C (Orange) (Color may vary between shades of orange and red due to the molding process) <sup>2</sup> (USBR only)		
					<b>-TH</b> = Through-hole	
					<b>-SM</b> = Surface Mount (USB only)	
					<b>-VT</b> = Vertical Top Entry	
						<b>-TR</b> = Tape and Reel (-SM only)
						<b>-FR</b> = Full Reel Tape & Reel (must order maximum quantity per reel; contact Samtec for quantity breaks) (-SM only)

MATING / UNMATING FORCE (100 CYCLES)		
SERIES	MATING	UNMATING
USB	5.3 (23.59 N)	6.1 (27.15 N)
USBR	11.8 (52.51 N)	11.5 (51.18 N)



View complete specifications at: [samtec.com?USB-B](http://samtec.com?USB-B) or [samtec.com?USBR-B](http://samtec.com?USBR-B)

## OUR CERTIFICATE

DiGi provide top-quality products and perfect service for customer worldwide through standardization, technological innovation and continuous improvement. DiGi through third-party certification, we stricly control the quality of products and services. Welcome your RFQ to

Email: [Info@DiGi-Electronics.com](mailto:Info@DiGi-Electronics.com)



Tel: +00 852-30501935

RFQ Email: [Info@DiGi-Electronics.com](mailto:Info@DiGi-Electronics.com)

DiGi is a global authorized distributor of electronic components.