



<https://www.DiGi-Electronics.com>

USB-B-S-S-W-TH-R Datasheet

DiGi Electronics Part Number	USB-B-S-S-W-TH-R-DG
Manufacturer	Samtec Inc.
Manufacturer Product Number	USB-B-S-S-W-TH-R
Description	USB 2.0 INTERFACE, TYPE A

Detailed Description

USB-B (USB TYPE-B) USB 2.0 Receptacle Connector
4 Position Through Hole, Right Angle

This model USB-B-S-S-W-TH-R is available at DiGi Electronics.

DiGi Electronics offers a global database of semiconductor and electronic component datasheets.

We welcome your inquiries regarding pricing, lead time, or other product-related questions.

 [Request a Quote](#)

 [Datasheet Search](#)

Tel: +00 852-30501935

RFQ Email: Info@DiGi-Electronics.com

DiGi is a global authorized distributor of electronic components.

Purchase and inquiry

Manufacturer Product Number:

USB-B-S-S-W-TH-R

Series:

USB-B

Connector Type:

USB-B (USB TYPE-B)

Gender:

Receptacle

Mounting Type:

Through Hole, Right Angle

Termination:

Solder

Ingress Protection:

-

Number of Ports:

1

Voltage - Rated:

30VAC

Shielding:

-

Shell/Shielding Material:

Steel

Insulation Color:

Manufacturer:

Samtec Inc.

Product Status:

Active

Number of Contacts:

4

Specifications:

USB 2.0

Mounting Feature:

Horizontal

Features:

Board Lock

Operating Temperature:

-50°C ~ 85°C

Current Rating (Amps):

-

Mating Cycles:

1500

Contact Finish:

Gold

Material Flammability Rating:

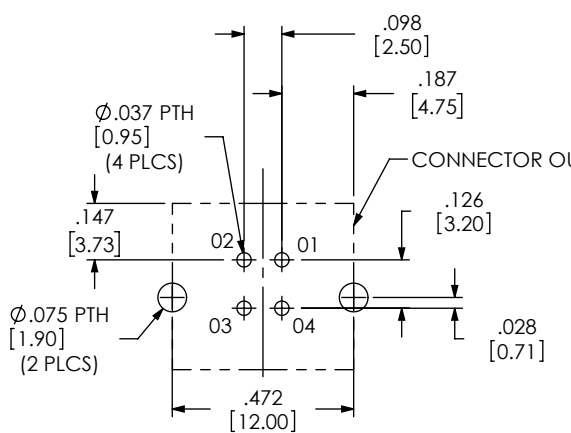
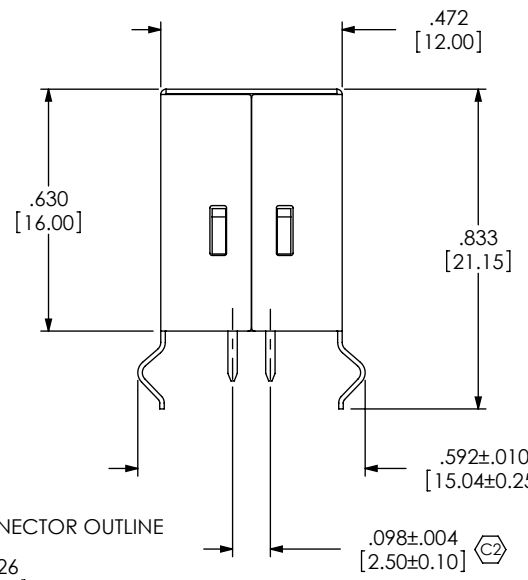
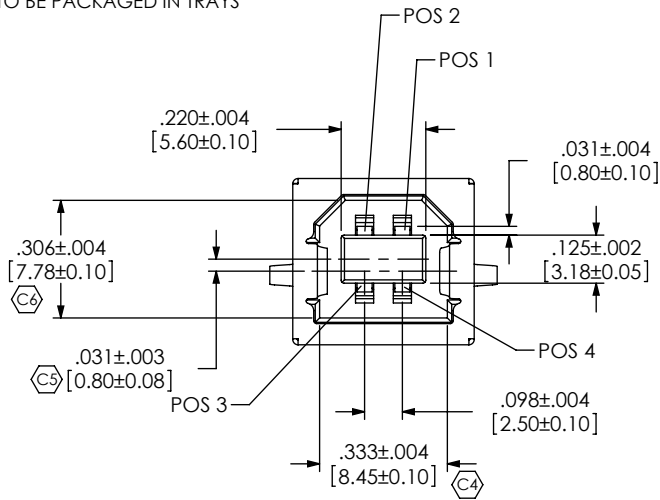
UL94V-0

Base Product Number:

NOTES:

1. Ⓢ REPRESENTS A CRITICAL DIMENSION.
2. VERIFY -S PLATING, VISUALLY CHECK -F ONLY.
3. RoHS PARTS HAVE MATTE TIN ON TAILS.
4. PARTS TO BE PACKAGED IN TRAYS

DO NOT SCALE FROM THIS PRINT



PLATING
 -F: GOLD FLASH ON MATING AREA, MATTE TIN ON TAIL. W/ NICKEL UNDERPLATE (SEE NOTE 3 FOR -R)
 -S: .000030" GOLD ON , MATING AREA, MATTE TIN ON TAIL. W/ NICKEL UNDERPLATE (SEE NOTE 3 FOR -R)

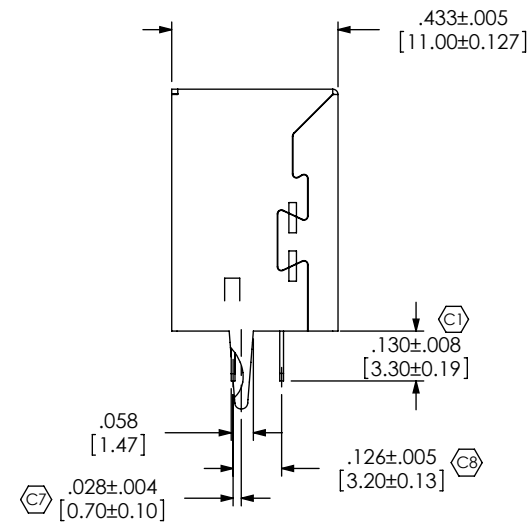
CONFIGURATION
 -S: SINGLE

TYPE
 -B

E/OPTION
 -R: RoHS COMPLIANT - LEAD FREE WITH HIGH TEMP INSULATOR

RA TERMINATION
 -VT: VERTICAL THRU HOLE

COLOR
 -B: BLACK
 -W: WHITE



RECOMMENDED PCB LAYOUT

UNLESS OTHERWISE SPECIFIED, DIMENSIONS ARE IN INCHES.
 TOLERANCES ARE:
 DECIMALS ANGLES
 .X: ±.01 [.3] 2°
 .XX: ±.005 [.13]
 .XXX: ±.005 [.13]

PROPRIETARY NOTE
 THIS DOCUMENT CONTAINS INFORMATION CONFIDENTIAL AND PROPRIETARY TO SAMTEC, INC. AND SHALL NOT BE REPRODUCED OR TRANSFERRED TO OTHER DOCUMENTS OR DISCLOSED TO OTHERS OR USED FOR ANY PURPOSE OTHER THAN THAT WHICH IT WAS OBTAINED WITHOUT THE EXPRESSED WRITTEN CONSENT OF SAMTEC, INC.



520 PARK EAST BLVD, NEW ALBANY, IN 47150
 PHONE: 812-944-6733 FAX: 812-948-5047
 e-Mail: info@SAMTEC.com code: 55322

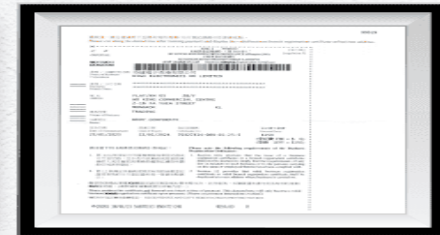
MATERIAL: DO NOT SCALE DRAWING SHEET SCALE: 2:1
 INSULATOR: PBT (RATED UL 94V-0)
 CONTACT OR TERMINAL: PHOS BRONZE
 BACK SHIELD: NICKEL PLATED PHOS BRONZE
 FRONT SHIELD: TIN PLATED PHOS BRONZE
 MAX FLASH ALLOWED: .051
 MAX GATE VESTIGE: .051

DESCRIPTION: USB B, SINGLE, VERTICAL THOUGH HOLE
DWG. NO. USB-B-S-X-X-VT-X
BY: LENNY K 11/15/06 **SHEET 1 OF 1**

OUR CERTIFICATE

DiGi provide top-quality products and perfect service for customer worldwide through standardization, technological innovation and continuous improvement. DiGi through third-party certification, we stricy control the quality of products and services. Welcome your RFQ to

Email: Info@DiGi-Electronics.com



Tel: +00 852-30501935

RFQ Email: Info@DiGi-Electronics.com

DiGi is a global authorized distributor of electronic components.