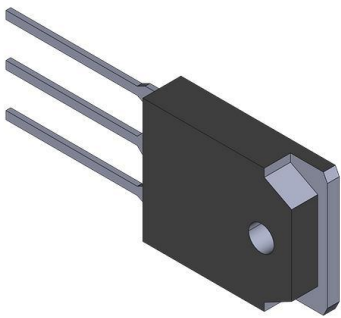


# 2SC5302 Datasheet

www.digi-electronics.com



<https://www.DiGi-Electronics.com>

DiGi Electronics Part Number	2SC5302-DG
Manufacturer	<a href="#">onsemi</a>
Manufacturer Product Number	2SC5302
Description	POWER BIPOLAR TRANSISTOR NPN
Detailed Description	Bipolar (BJT) Transistor NPN 800 V 15 A 3 W Through Hole TO-3PML

This model 2SC5302 is available at DiGi Electronics.

DiGi Electronics offers a global database of semiconductor and electronic component datasheets.

We welcome your inquiries regarding pricing, lead time, or other product-related questions.

 [Request a Quote](#)

 [Datasheet Search](#)



Tel: +00 852-30501935

RFQ Email: [Info@DiGi-Electronics.com](mailto:Info@DiGi-Electronics.com)

DiGi is a global authorized distributor of electronic components.

## Purchase and inquiry

Manufacturer Product Number:

25C5302

Series:

-

Transistor Type:

NPN

Voltage - Collector Emitter Breakdown (Max):

800 V

Current - Collector Cutoff (Max):

1mA

Power - Max:

3 W

Operating Temperature:

150°C (TJ)

Qualification:

-

Package / Case:

TO-3P-3 Full Pack

Manufacturer:

onsemi

Product Status:

Active

Current - Collector (Ic) (Max):

15 A

Vce Saturation (Max) @ Ib, Ic:

5V @ 3A, 12A

DC Current Gain (hFE) (Min) @ Ic, Vce:

20 @ 1A, 5V

Frequency - Transition:

-

Grade:

-

Mounting Type:

Through Hole

Supplier Device Package:

TO-3PML

## Environmental & Export classification

RoHS Status:

ROHS3 Compliant

REACH Status:

Vendor Undefined

HTSUS:

8541.29.0095

Moisture Sensitivity Level (MSL):

1 (Unlimited)

ECCN:

EAR99

## OUR CERTIFICATE

DiGi provide top-quality products and perfect service for customer worldwide through standardization, technological innovation and continuous improvement. DiGi through third-party certification, we stricly control the quality of products and services. Welcome your RFQ to

Email: [Info@DiGi-Electronics.com](mailto:Info@DiGi-Electronics.com)



Tel: +00 852-30501935

RFQ Email: [Info@DiGi-Electronics.com](mailto:Info@DiGi-Electronics.com)

DiGi is a global authorized distributor of electronic components.