

2SD1815T-TL-H Datasheet



www.digi-electronics.com

<https://www.DiGi-Electronics.com>

| | |
|------------------------------|---|
| DiGi Electronics Part Number | 2SD1815T-TL-H-DG |
| Manufacturer | onsemi |
| Manufacturer Product Number | 2SD1815T-TL-H |
| Description | TRANS NPN 100V 3A TP-FA |
| Detailed Description | Bipolar (BJT) Transistor NPN 100 V 3 A 180MHz 1 W Surface Mount TP-FA |



Tel: +00 852-30501935

RFQ Email: Info@DiGi-Electronics.com

DiGi is a global authorized distributor of electronic components.

Purchase and inquiry

Manufacturer Product Number:

2SD1815T-TL-H

Series:

-

Transistor Type:

NPN

Voltage - Collector Emitter Breakdown (Max):

100 V

Current - Collector Cutoff (Max):

1 μ A (ICBO)

Power - Max:

1 W

Operating Temperature:

150°C (TJ)

Package / Case:

TO-252-3, DPAK (2 Leads + Tab), SC-63

Base Product Number:

2SD1815

Manufacturer:

onsemi

Product Status:

Obsolete

Current - Collector (Ic) (Max):

3 A

Vce Saturation (Max) @ Ib, Ic:

400mV @ 150mA, 1.5A

DC Current Gain (hFE) (Min) @ Ic, Vce:

200 @ 500mA, 5V

Frequency - Transition:

180MHz

Mounting Type:

Surface Mount

Supplier Device Package:

TP-FA

Environmental & Export classification

Moisture Sensitivity Level (MSL):

1 (Unlimited)

ECCN:

EAR99

REACH Status:

REACH Unaffected

HTSUS:

8541.29.0075

Ordering number : EN2539C



2SB1215/2SD1815

Bipolar Transistor

(-100V, (-)3A, Low $V_{CE(sat)}$ (PNP)NPN Single TP/TP-FA

ON Semiconductor®

<http://onsemi.com>

Applications

- Relay drivers, high-speed inverters, converters, and other general high-current switching applications

Features

- Low collector to emitter saturation voltage
- Small-sized package permitting 2SB1215/2SD1815-applied sets to be made small and slim
- High f_T
- Halogen free compliance
- Excellent linearity of h_{FE}
- Fast switching time

Specifications () : 2SB1215

Absolute Maximum Ratings at $T_a=25^\circ\text{C}$

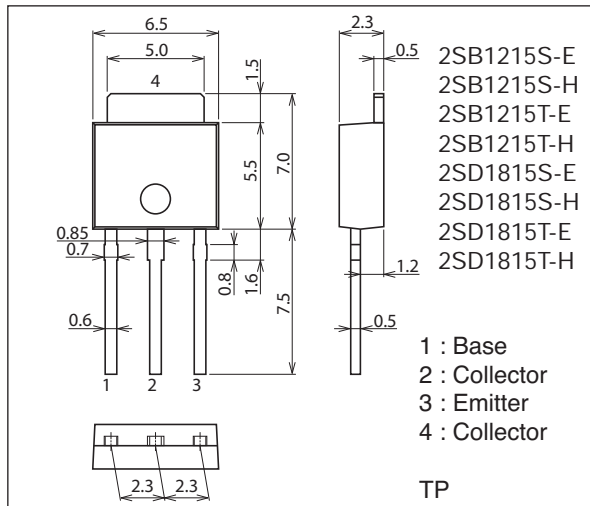
| Parameter | Symbol | Conditions | Ratings | Unit |
|------------------------------|-----------|------------|---------|------|
| Collector to Base Voltage | V_{CBO} | | (-120) | V |
| Collector to Emitter Voltage | V_{CEO} | | (-100) | V |
| Emitter to Base Voltage | V_{EBO} | | (-6) | V |
| Collector Current | I_C | | (-3) | A |
| Collector Current (Pulse) | I_{CP} | | (-6) | A |

Continued on next page.

Stresses exceeding Maximum Ratings may damage the device. Maximum Ratings are stress ratings only. Functional operation above the Recommended Operating Conditions is not implied. Extended exposure to stresses above the Recommended Operating Conditions may affect device reliability.

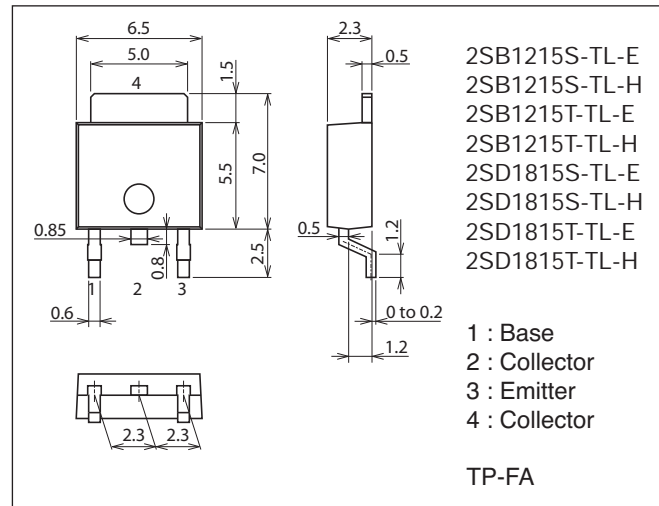
Package Dimensions unit : mm (typ)

7518-003



Package Dimensions unit : mm (typ)

7003-003



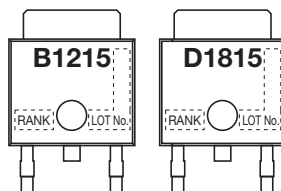
Product & Package Information

- Package : TP
- JEITA, JEDEC : SC-64, TO-251
- Minimum Packing Quantity : 500 pcs./bag

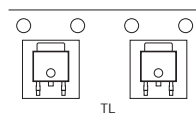
- Package : TP-FA
- JEITA, JEDEC : SC-63, TO-252
- Minimum Packing Quantity : 700 pcs./reel

Marking

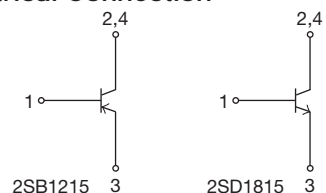
(TP, TP-FA)



Packing Type (TP-FA) : TL



Electrical Connection



2SB1215/2SD1815

Continued from preceding page.

| Parameter | Symbol | Conditions | Ratings | Unit |
|-----------------------|-----------|------------------------|-------------|------------------|
| Collector Dissipation | PC | | 1 | W |
| | | $T_c=25^\circ\text{C}$ | 20 | W |
| Junction Temperature | T_j | | 150 | $^\circ\text{C}$ |
| Storage Temperature | T_{stg} | | -55 to +150 | $^\circ\text{C}$ |

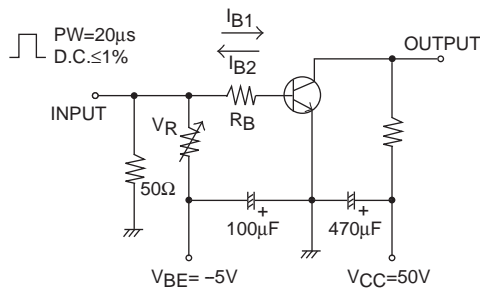
Electrical Characteristics at $T_a=25^\circ\text{C}$

| Parameter | Symbol | Conditions | Ratings | | | Unit |
|---|---------------|--|-----------|-----------|-----------|---------------|
| | | | min | typ | max | |
| Collector Cutoff Current | I_{CBO} | $V_{CB}=(-)100\text{V}, I_E=0\text{A}$ | | | (-) 1 | μA |
| Emitter Cutoff Current | I_{EBO} | $V_{EB}=(-)4\text{V}, I_C=0\text{A}$ | | | (-) 1 | μA |
| DC Current Gain | h_{FE1} | $V_{CE}=(-)5\text{V}, I_C=(-)0.5\text{A}$ | 140* | | 400* | |
| | h_{FE2} | $V_{CE}=(-)5\text{V}, I_C=(-)2\text{A}$ | 40 | | | |
| Gain-Bandwidth Product | f_T | $V_{CE}=(-)10\text{V}, I_C=(-)0.5\text{A}$ | | (130)180 | | MHz |
| Output Capacitance | C_{ob} | $V_{CB}=(-)10\text{V}, f=1\text{MHz}$ | | (40)25 | | pF |
| Collector to Emitter Saturation Voltage | $V_{CE(sat)}$ | $I_C=(-)1.5\text{A}, I_B=(-)0.15\text{A}$ | | (-200)150 | (-500)400 | mV |
| Base to Emitter Saturation Voltage | $V_{BE(sat)}$ | $I_C=(-)1.5\text{A}, I_B=(-)0.15\text{A}$ | | (-) 0.9 | (-) 1.2 | V |
| Collector to Base Breakdown Voltage | $V_{(BR)CBO}$ | $I_C=(-)10\mu\text{A}, I_E=0\text{A}$ | (-) 120 | | | V |
| Collector to Emitter Breakdown Voltage | $V_{(BR)CEO}$ | $I_C=(-)1\text{mA}, R_{BE}=\infty$ | (-) 100 | | | V |
| Emitter to Base Breakdown Voltage | $V_{(BR)EBO}$ | $I_E=(-)10\mu\text{A}, I_C=0\text{A}$ | (-) 6 | | | V |
| Turn-On Time | t_{on} | See specified Test Circuit. | | 100 | | ns |
| Storage Time | t_{stg} | | | (800)900 | | ns |
| Fall Time | t_f | | | 50 | | ns |

* : The 2SB1215/2SD1815 are classified by 0.5A h_{FE} as follows :

| Rank | S | T |
|----------|------------|------------|
| h_{FE} | 140 to 280 | 200 to 400 |

Switching Time Test Circuit



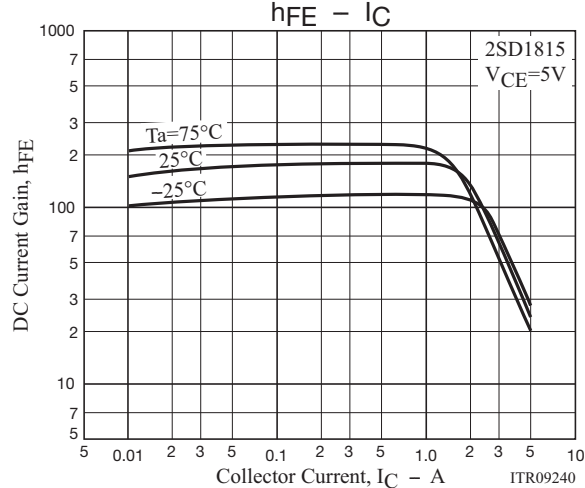
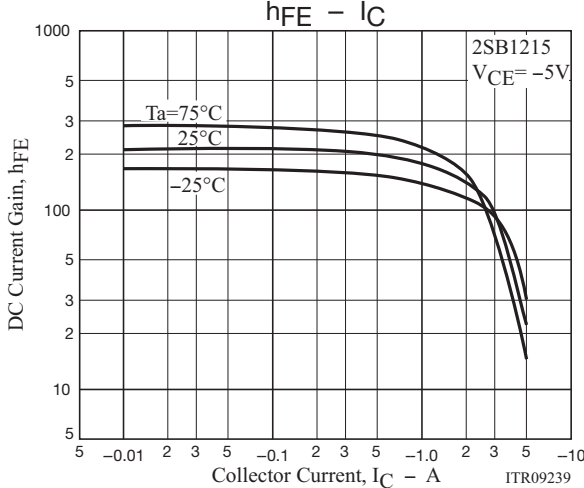
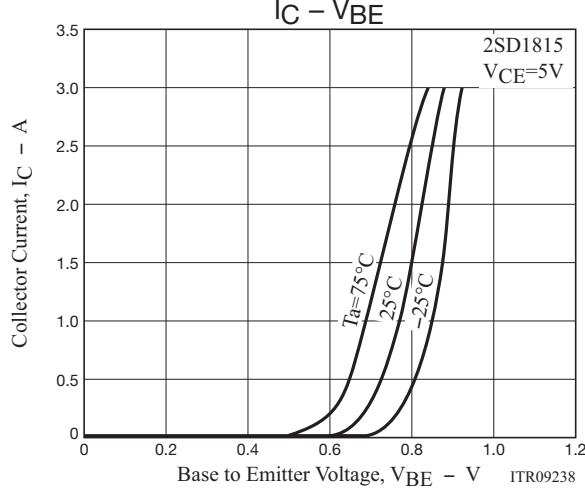
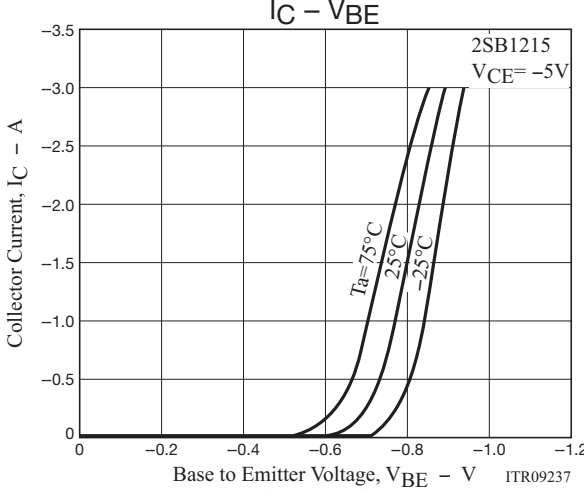
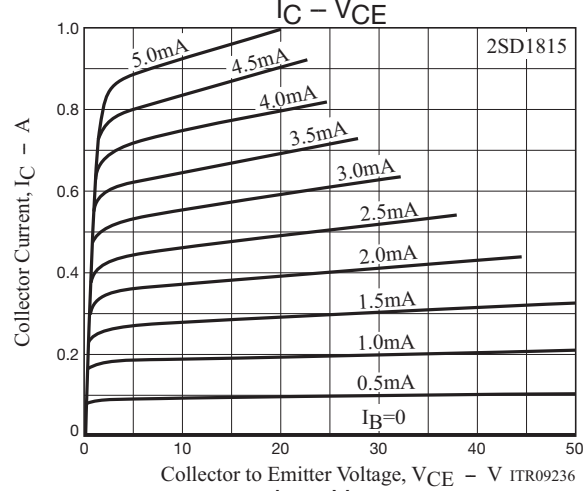
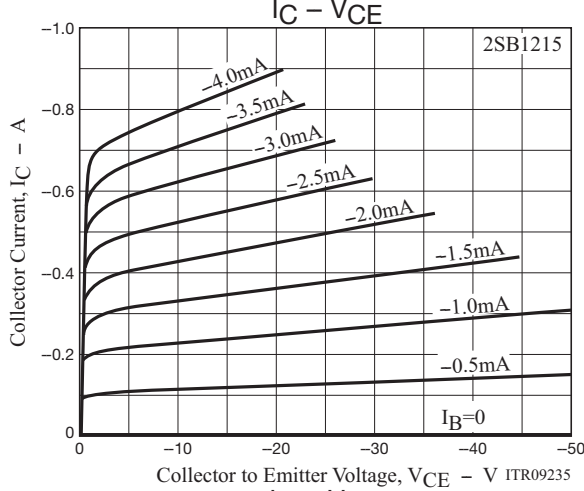
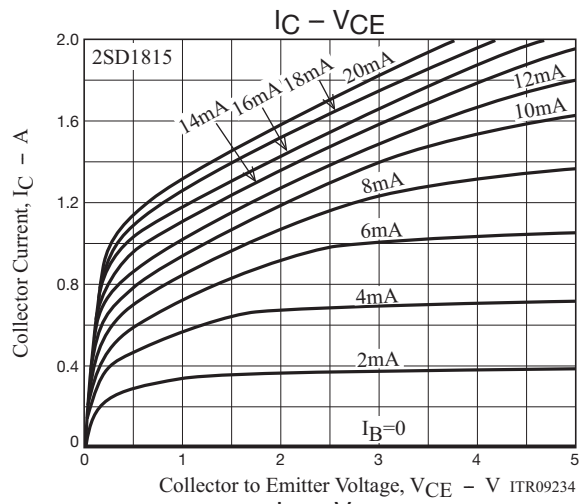
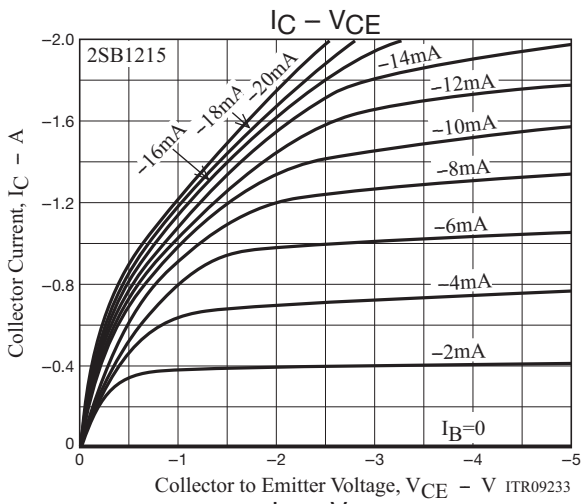
$$I_C=10I_{B1} = -10I_{B2}=1.5\text{A}$$

For PNP, the polarity is reversed.

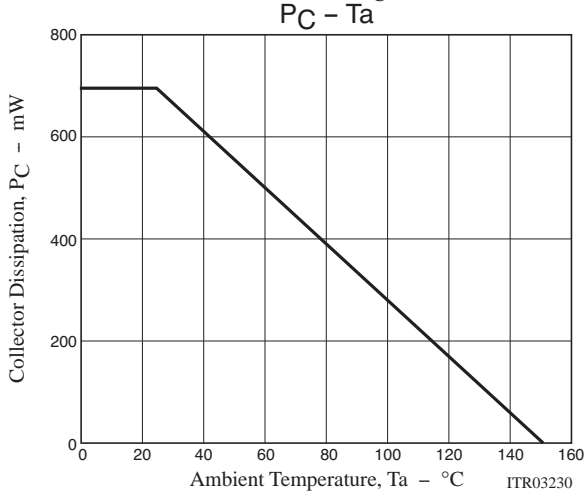
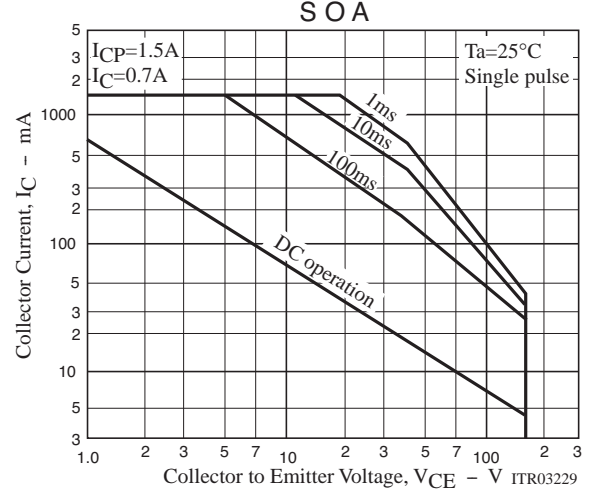
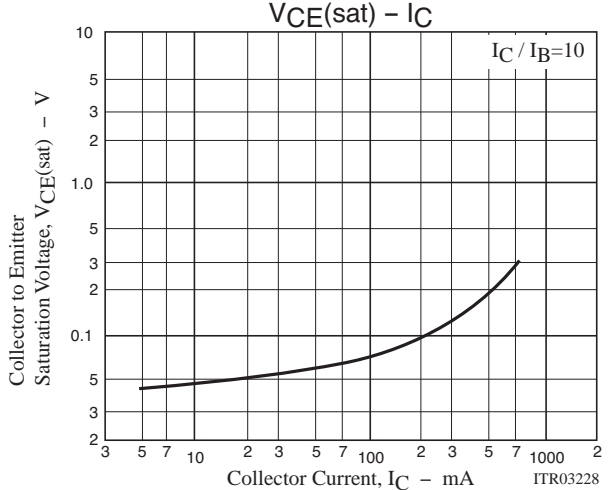
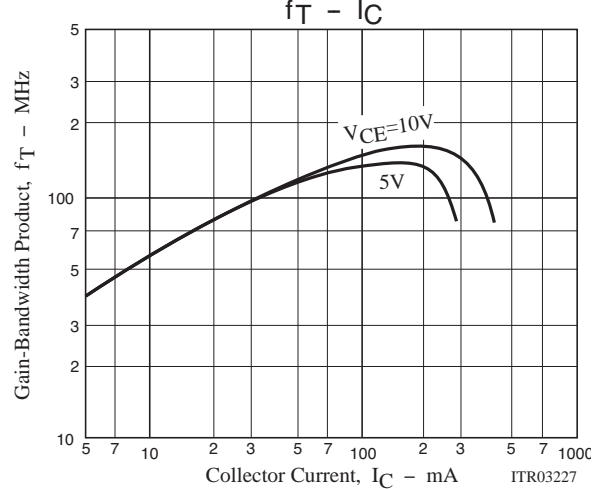
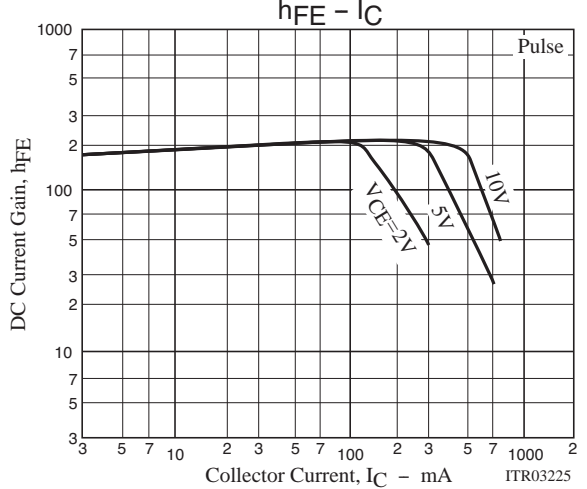
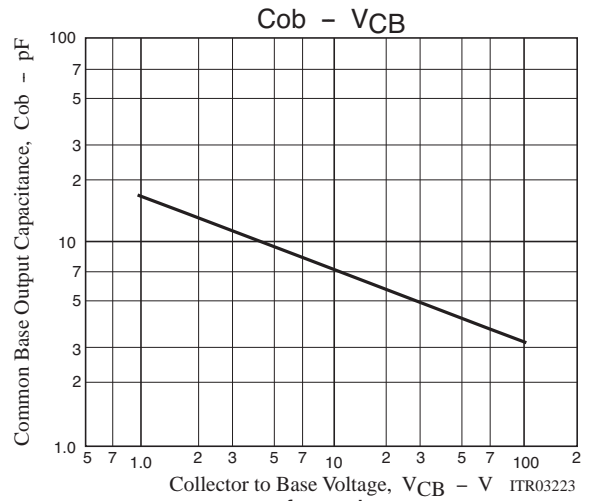
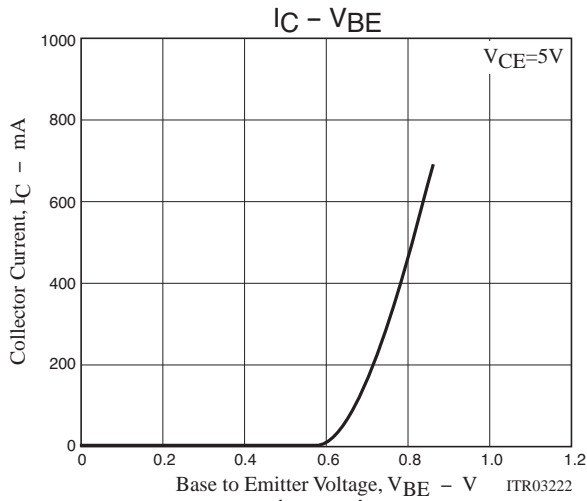
Ordering Information

| Device | Package | Shipping | memo |
|---------------|---------|--------------|--------------------------|
| 2SB1215S-E | TP | 500pcs./bag | Pb Free |
| 2SB1215S-H | TP | 500pcs./bag | Pb Free and Halogen Free |
| 2SB1215T-E | TP | 500pcs./bag | Pb Free |
| 2SB1215T-H | TP | 500pcs./bag | Pb Free and Halogen Free |
| 2SD1815S-E | TP | 500pcs./bag | Pb Free |
| 2SD1815S-H | TP | 500pcs./bag | Pb Free and Halogen Free |
| 2SD1815T-E | TP | 500pcs./bag | Pb Free |
| 2SD1815T-H | TP | 500pcs./bag | Pb Free and Halogen Free |
| 2SB1215S-TL-E | TP-FA | 700pcs./reel | Pb Free |
| 2SB1215S-TL-H | TP-FA | 700pcs./reel | Pb Free and Halogen Free |
| 2SB1215T-TL-E | TP-FA | 700pcs./reel | Pb Free |
| 2SB1215T-TL-H | TP-FA | 700pcs./reel | Pb Free and Halogen Free |
| 2SD1815S-TL-E | TP-FA | 700pcs./reel | Pb Free |
| 2SD1815S-TL-H | TP-FA | 700pcs./reel | Pb Free and Halogen Free |
| 2SD1815T-TL-E | TP-FA | 700pcs./reel | Pb Free |
| 2SD1815T-TL-H | TP-FA | 700pcs./reel | Pb Free and Halogen Free |

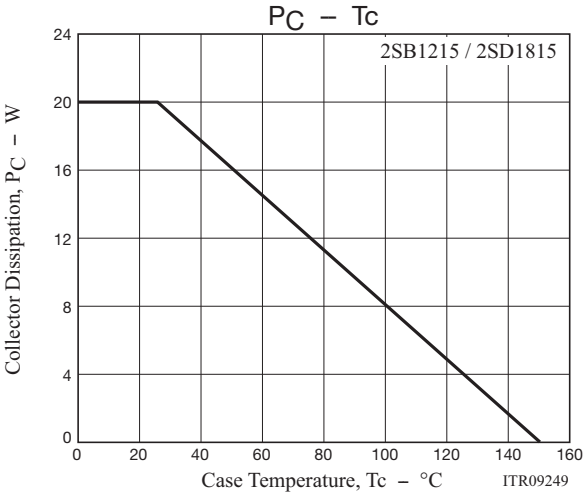
2SB1215/2SD1815



2SB1215/2SD1815



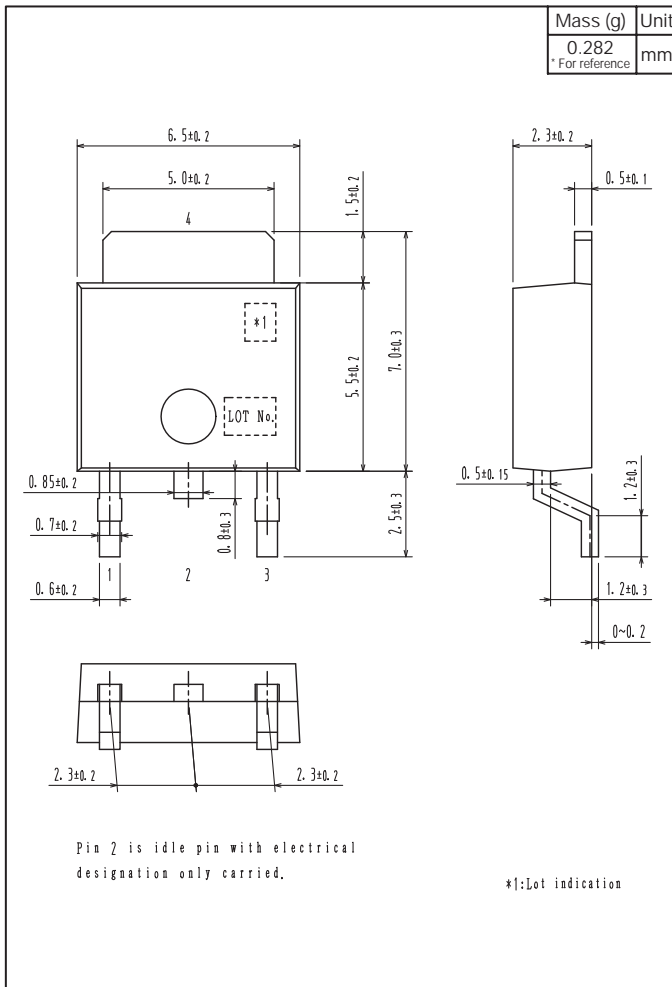
2SB1215/2SD1815



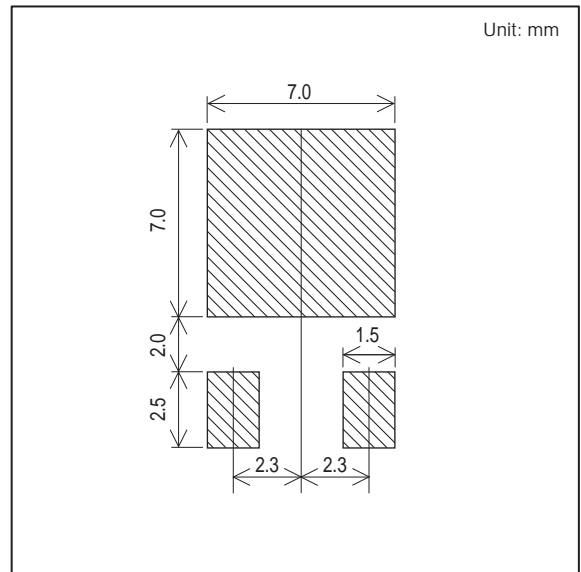
2SB1215/2SD1815

Outline Drawing

2SB1215S-TL-E, 2SB1215S-TL-H, 2SB1215T-TL-E, 2SB1215T-TL-H, 2SD1815S-TL-E, 2SD1815S-TL-H, 2SD1815T-TL-E, 2SD1815T-TL-H



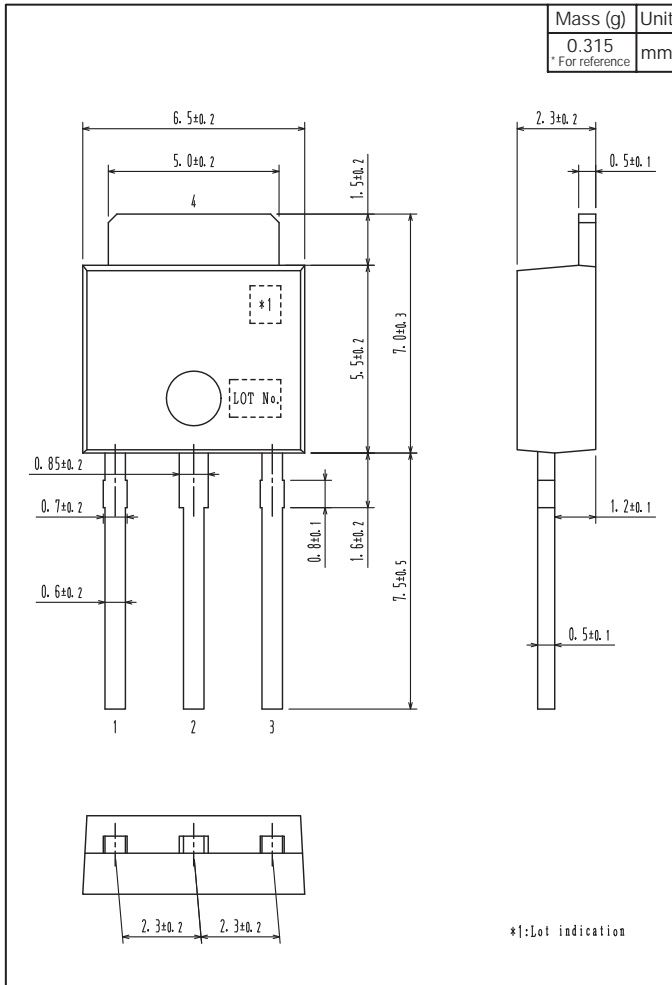
Land Pattern Example



2SB1215/2SD1815

Outline Drawing

2SB1215S-E, 2SB1215S-H, 2SB1215T-E, 2SB1215T-H, 2SD1815S-E, 2SD1815S-H, 2SD1815T-E, 2SD1815T-H



ON Semiconductor and the ON logo are registered trademarks of Semiconductor Components Industries, LLC (SCILLC). SCILLC owns the rights to a number of patents, trademarks, copyrights, trade secrets, and other intellectual property. A listing of SCILLC's product/patent coverage may be accessed at www.onsemi.com/site/pdf/Patent-Marking.pdf. SCILLC reserves the right to make changes without further notice to any products herein. SCILLC makes no warranty, representation or guarantee regarding the suitability of its products for any particular purpose, nor does SCILLC assume any liability arising out of the application or use of any product or circuit, and specifically disclaims any and all liability, including without limitation special, consequential or incidental damages. "Typical" parameters which may be provided in SCILLC data sheets and/or specifications can and do vary in different applications and actual performance may vary over time. All operating parameters, including "Typicals" must be validated for each customer application by customer's technical experts. SCILLC does not convey any license under its patent rights nor the rights of others. SCILLC products are not designed, intended, or authorized for use as components in systems intended for surgical implant into the body, or other applications intended to support or sustain life, or for any other application in which the failure of the SCILLC product could create a situation where personal injury or death may occur. Should Buyer purchase or use SCILLC products for any such unintended or unauthorized application, Buyer shall indemnify and hold SCILLC and its officers, employees, subsidiaries, affiliates, and distributors harmless against all claims, costs, damages, and expenses, and reasonable attorney fees arising out of, directly or indirectly, any claim of personal injury or death associated with such unintended or unauthorized use, even if such claim alleges that SCILLC was negligent regarding the design or manufacture of the part. SCILLC is an Equal Opportunity/Affirmative Action Employer. This literature is subject to all applicable copyright laws and is not for resale in any manner.

OUR CERTIFICATE

DiGi provide top-quality products and perfect service for customer worldwide through standardization, technological innovation and continuous improvement. DiGi through third-party certification, we stricly control the quality of products and services. Welcome your RFQ to

Email: Info@DiGi-Electronics.com



Tel: +00 852-30501935

RFQ Email: Info@DiGi-Electronics.com

DiGi is a global authorized distributor of electronic components.