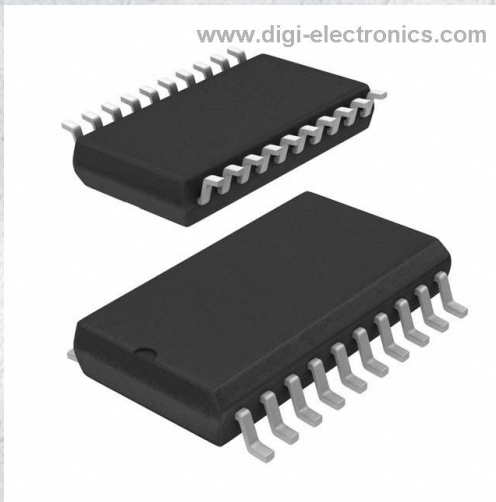


74LCX240SJ Datasheet



<https://www.DiGi-Electronics.com>

DiGi Electronics Part Number	74LCX240SJ-DG
Manufacturer	onsemi
Manufacturer Product Number	74LCX240SJ
Description	IC BUFFER INVERT 3.6V 20SOP
Detailed Description	Buffer, Inverting 2 Element 4 Bit per Element 3-State Output 20-SOP



Tel: +00 852-30501935

RFQ Email: Info@DiGi-Electronics.com

DiGi is a global authorized distributor of electronic components.

Purchase and inquiry

Manufacturer Product Number:

74LCX240SJ

Series:

74LCX

Logic Type:

Buffer, Inverting

Number of Bits per Element:

4

Output Type:

3-State

Voltage - Supply:

2V ~ 3.6V

Mounting Type:

Surface Mount

Supplier Device Package:

20-SOP

Manufacturer:

onsemi

Product Status:

Obsolete

Number of Elements:

2

Input Type:

-

Current - Output High, Low:

24mA, 24mA

Operating Temperature:

-40°C ~ 85°C (TA)

Package / Case:

20-SOIC (0.209", 5.30mm Width)

Base Product Number:

74LCX240

Environmental & Export classification

RoHS Status:

ROHS3 Compliant

REACH Status:

REACH Unaffected

HTSUS:

8542.39.0001

Moisture Sensitivity Level (MSL):

1 (Unlimited)

ECCN:

EAR99

Low Voltage Octal Buffer/Line Driver with 5 V Tolerant Inputs and Outputs

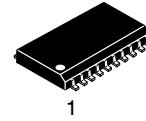
74LCX240

The LCX240 is an inverting octal buffer and line driver designed to be employed as a memory address driver, clock driver and bus oriented transmitter or receiver. The device is designed for low voltage V_{CC} applications with capability of interfacing to a 5 V signal environment.

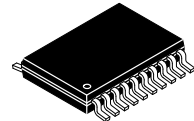
The LCX240 is fabricated with an advanced CMOS technology to achieve high speed operation while maintaining CMOS low power dissipation.

Features

- 5 V Tolerant Inputs and Outputs
- 1.65 V–5.5 V V_{CC} Specifications Provided
- 6.5 ns t_{PD} Max. (V_{CC} 3.3 V), 10 μ A I_{CC} Max.
- Power-down High Impedance Inputs and Outputs
- Supports Live Insertion/Withdrawal¹
- ± 24 mA Output Drive ($V_{CC} = 3.0$ V)
- Implements Proprietary Noise/EMI Reduction Circuitry
- Latch-up Performance Exceeds 100 mA
- ESD Performance:
 - ◆ Human Body Model >2000 V
- These Devices are Pb-Free, Halogen Free/BFR Free and are RoHS Compliant

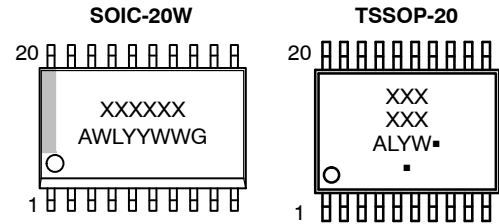


SOIC-20W
CASE 751BJ



TSSOP-20
CASE 948AQ

MARKING DIAGRAMS



XXXXXX = Specific Device Code
 A = Assembly Location
 WL, L = Wafer Lot
 YY, Y = Year
 WW, W = Work Week
 G or \blacksquare = Pb-Free Package

(Note: Microdot may be in either location)

ORDERING INFORMATION

See detailed ordering and shipping information on page 7 of this data sheet.

1. To ensure the high-impedance state during power up or down, \overline{OE} should be tied to V_{CC} through a pull-up resistor: the minimum value or the resistor is determined by the current-sourcing capability of the driver.

74LCX240

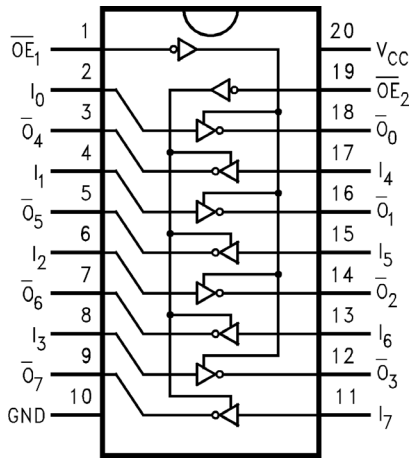


Figure 1. Connection Diagram

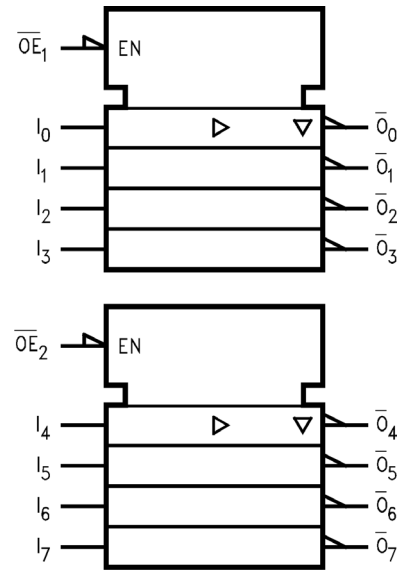


Figure 2. Logic Diagram

Table 1. PIN DESCRIPTION

Pin Names	Description
$\overline{OE}_1, \overline{OE}_2$	3-STATE Output Enable Inputs
I_0 – I_7	Inputs
\overline{O}_0 – \overline{O}_7	Outputs

TRUTH TABLE

Inputs		Outputs
\overline{OE}_1	I_n	(Pins 12, 14, 16, 18)
L	L	H
L	H	L
H	X	Z

\overline{OE}_2	I_n	(Pins 3, 5, 7, 9)
L	L	H
L	H	L
H	X	Z

H = High Voltage Level
 L = Low Voltage Level
 X = Immaterial
 Z = High Impedance

74LCX240**MAXIMUM RATINGS**

Symbol	Parameter	Value	Unit
V_{CC}	DC Supply Voltage	-0.5 to +6.5	V
V_I	DC Input Voltage (Note 1)	-0.5 to +6.5	V
V_O	DC Output Voltage (Note 1) Active-Mode (High or Low State) Tri-State Mode Power-Down Mode ($V_{CC} = 0$ V)	-0.5 to $V_{CC}+0.5$ -0.5 to +6.5 -0.5 to +6.5	V
I_{IK}	DC Input Diode Current $V_{IN} < GND$	-50	mA
I_{OK}	DC Output Diode Current $V_{OUT} < GND$	-50	mA
I_O	DC Output Source/Sink Current	± 50	mA
I_{CC} or I_{GND}	DC Supply Current per Supply Pin or Ground Pin	± 100	mA
T_{STG}	Storage Temperature Range	-65 to +150	$^{\circ}C$
T_L	Lead Temperature, 1 mm from Case for 10 secs	260	$^{\circ}C$
T_J	Junction Temperature Under Bias	+150	$^{\circ}C$
θ_{JA}	Thermal Resistance (Note 2)	SOIC-20W WQFN20 TSSOP-20	96 99 150 $^{\circ}C/W$
P_D	Power Dissipation in Still Air	SOIC-20W WQFN20 TSSOP-20	1302 1256 833 mW
MSL	Moisture Sensitivity	SOIC-20W All Other Packages	Level 3 Level 1 -
F_R	Flammability Rating	Oxygen Index: 28 to 34	UL 94 V-0 @ 0.125 in -
V_{ESD}	ESD Withstand Voltage (Note 3)	Human Body Model Charged Device Model	2000 N/A V

Stresses exceeding those listed in the Maximum Ratings table may damage the device. If any of these limits are exceeded, device functionality should not be assumed, damage may occur and reliability may be affected.

- I_O absolute maximum rating must be observed.
- Measured with minimum pad spacing on an FR4 board, using 76 mm-by-114 mm, 2-ounce copper trace no air flow per JESD51-7.
- HBM tested to EIA / JESD22-A114-A. CDM tested to JESD22-C101-A.

RECOMMENDED OPERATING CONDITIONS (Note 4)

Symbol	Parameter	Min	Max	Unit
V_{CC}	Supply Voltage Operating Data Retention Only	1.65 1.5	5.5 5.5	V
V_I	Digital Input Voltage	0	5.5	V
V_O	Output Voltage Active Mode (High or Low State) Tri-State Mode Power Down Mode ($V_{CC} = 0$ V)	0 0 0	V_{CC} 5.5 5.5	V
T_A	Operating Free-Air Temperature	-40	+125	$^{\circ}C$
t_r, t_f	Input Rise or Fall Rate $V_{CC} = 1.65$ V to 1.95 V $V_{CC} = 2.3$ V to 2.7 V V_{IN} from 0.8 V to 2.0 V, $V_{CC} = 3.0$ V $V_{CC} = 4.5$ V to 5.5 V	0 0 0 0	20 20 10 5	nS/V

Functional operation above the stresses listed in the Recommended Operating Ranges is not implied. Extended exposure to stresses beyond the Recommended Operating Ranges limits may affect device reliability.

- Unused inputs must always be tied to an appropriate logic voltage level (e.g., either GND or V_{CC}). Unused outputs must be left open.

74LCX240

DC ELECTRICAL CHARACTERISTICS

Symbol	Parameter	Conditions	V _{CC} (V)	T _A = -40 °C to +85 °C		T _A = -40 °C to +125 °C		Unit
				Min	Max	Min	Max	
V _{IH}	High-Level Input Voltage		1.65 to 1.95	0.65 x V _{CC}		0.65 x V _{CC}		V
			2.3 to 2.7	1.7		1.7		
			2.7 to 3.6	2.0		2.0		
			4.5 to 5.5	0.7 x V _{CC}		0.7 x V _{CC}		
V _{IL}	Low-Level Input Voltage		1.65 to 1.95		0.35 x V _{CC}		0.35 x V _{CC}	V
			2.3 to 2.7		0.7		0.7	
			2.7 to 3.6		0.8		0.8	
			4.5 to 5.5		0.3 x V _{CC}		0.3 x V _{CC}	
V _{OH}	High-Level Output Voltage	V _I = V _{IH} or V _{IL}						V
		I _{OH} = -100 μA	1.65 to 5.5	V _{CC} - 0.1	-	V _{CC} - 0.1	-	
		I _{OH} = -4 mA	1.65	1.2	-	1.2	-	
		I _{OH} = -8 mA	2.3	1.8	-	1.8	-	
		I _{OH} = -12 mA	2.7	2.2	-	2.2	-	
		I _{OH} = -16 mA	3.0	2.4	-	2.4	-	
		I _{OH} = -24 mA	3.0	2.2	-	2.2	-	
		I _{OH} = -32 mA	4.5	3.8		3.8		
V _{OL}	Low-Level Output Voltage	V _I = V _{IH} or V _{IL}						V
		I _{OL} = 100 μA	1.65 to 5.5	-	0.1	-	0.1	
		I _{OL} = 4 mA	1.65	-	0.45	-	0.45	
		I _{OL} = 8 mA	2.3	-	0.6	-	0.6	
		I _{OL} = 12 mA	2.7	-	0.4	-	0.4	
		I _{OL} = 16 mA	3.0	-	0.4	-	0.4	
		I _{OL} = 24 mA	3.0	-	0.55	-	0.55	
		I _{OL} = 32 mA	4.5		0.6		0.6	
I _I	Input Leakage Current	V _I = 0 to 5.5 V	3.6	-	±5.0	-	±5.0	μA
I _{OZ}	3-State Output Leakage Current	V _I = V _{IH} or V _{IL} , V _O = 0 V to 5.5 V	3.6	-	±5.0	-	±5.0	μA
I _{OFF}	Power Off Leakage Current	V _I = 5.5 V or V _O = 5.5 V	0	-	10	-	10	μA
I _{CC}	Quiescent Supply Current	V _I = 5.5 V or GND	2.3 to 3.6	-	10	-	10	μA
		3.6 V ≤ V _I , V _O ≤ 5.5 V (Note 5)			±10.0		±10.0	
ΔI _{CC}	Increase in I _{CC} per Input	V _{IH} = V _{CC} - 0.6 V	2.3 to 3.6	-	500	-	500	μA

Product parametric performance is indicated in the Electrical Characteristics for the listed test conditions, unless otherwise noted. Product performance may not be indicated by the Electrical Characteristics if operated under different conditions.

5. Outputs disabled or 3-STATE only.

74LCX240

AC ELECTRICAL CHARACTERISTICS

Symbol	Parameter	Test Condition	V _{CC} (V)	T _A = -40 °C to +85 °C		T _A = -40 °C to +125 °C		Unit
				Min	Max	Min	Max	
t _{PLH} , t _{PHL}	Propagation Delay, D to O	See Figures 3 and 4	1.65 to 1.95	-	10.3	-	10.3	ns
			2.3 to 2.7	-	7.8	-	7.8	
			2.7	-	7.5	-	7.5	
			3.0 to 3.6	-	6.5	-	6.5	
			4.5 to 5.5	-	5.9	-	5.9	
t _{PZH} , t _{PZL}	Output Enable Time, OE to O	See Figures 3 and 4	1.65 to 1.95	-	13.0	-	13.0	ns
			2.3 to 2.7	-	10.0	-	10.0	
			2.7	-	9.0	-	9.0	
			3.0 to 3.6	-	8.0	-	8.0	
			4.5 to 5.5	-	7.3	-	7.3	
t _{PHZ} , t _{PLZ}	Output Disable Time, OE to O	See Figures 3 and 4	1.65 to 1.95	-	11.0	-	11.0	ns
			2.3 to 2.7	-	8.4	-	8.4	
			2.7	-	8.0	-	8.0	
			3.0 to 3.6	-	7.0	-	7.0	
			4.5 to 5.5	-	6.0	-	6.0	
t _{OSSL} , t _{OSLH}	Output to Output Skew (Note 6)		1.65 to 1.95	-	-	-	-	ns
			2.3 to 2.7	-	-	-	-	
			2.7	-	-	-	-	
			3.0 to 3.6	-	1.0	-	1.0	

6. C_{PD} is defined as the value of the internal equivalent capacitance which is calculated from the dynamic operating current consumption without load. Average operating current can be obtained by the equation I_{CC(OPR)} = C_{PD} × V_{CC} × f_{in} + I_{CC}. C_{PD} is used to determine the no-load dynamic power consumption: P_D = C_{PD} × V_{CC}² × f_{in} + I_{CC} × V_{CC}.

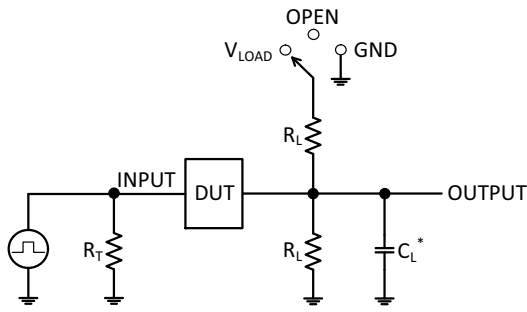
DYNAMIC SWITCHING CHARACTERISTICS

Symbol	Characteristic	Condition	V _{CC} (V)	T _A = +25 °C	Unit
				Typ	
V _{OLP}	Quiet Output Dynamic Peak V _{OL}	C _L = 50 pF, V _{IH} = 3.3 V, V _{IL} = 0 V	3.3	0.8	V
		C _L = 30 pF, V _{IH} = 2.5 V, V _{IL} = 0 V	2.5	0.6	
V _{OLV}	Quiet Output Dynamic Valley V _{OL}	C _L = 50 pF, V _{IH} = 3.3 V, V _{IL} = 0 V	3.3	-0.8	V
		C _L = 30 pF, V _{IH} = 2.5 V, V _{IL} = 0 V	2.25	-0.6	

CAPACITIVE CHARACTERISTICS

Symbol	Parameter	Condition	Typ	Unit
C _{IN}	Input Capacitance	V _{CC} = 3.3 V, V _I = 0 V or V _{CC}	7	pF
C _{OUT}	Output Capacitance	V _{CC} = 3.3 V, V _I = 0 V or V _{CC}	8	pF
C _{PD}	Power Dissipation Capacitance	10 MHz, V _{CC} = 3.3 V, V _I = 0 V or V _{CC}	25	pF

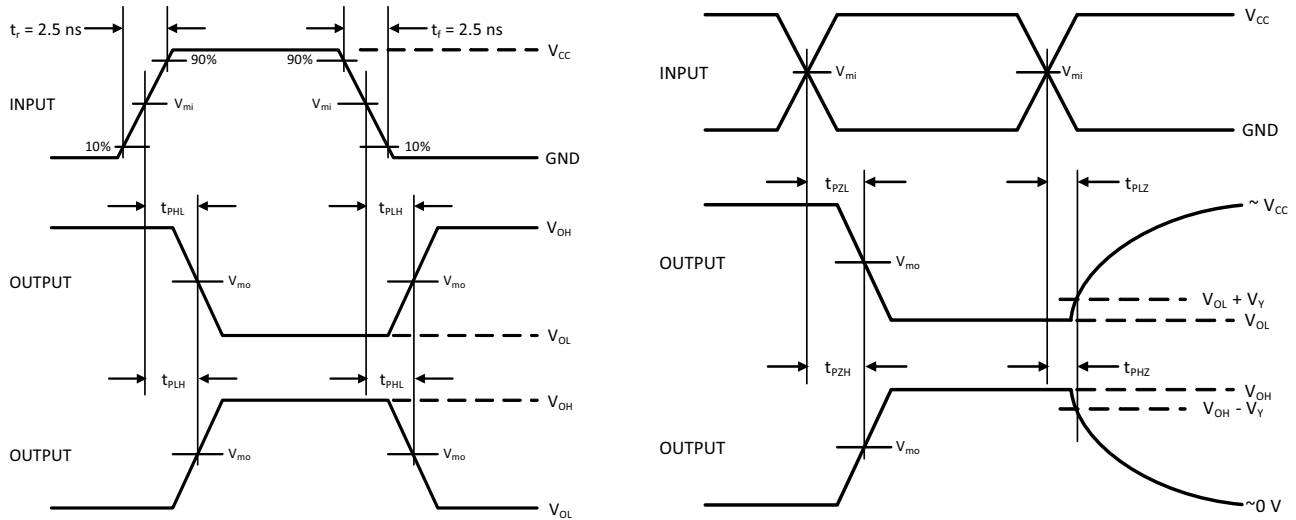
74LCX240



*C_L includes probe and jig capacitance
 R_T is Z_{OUT} of pulse generator (typically 50 Ω)
 f = 1 MHz

Test	Switch Position
t _{PLH} / t _{PHL}	Open
t _{PLZ} / t _{PZL}	V _{LOAD}
t _{PHZ} / t _{PZH}	GND

Figure 3. Test Circuit



V _{CC} , V	R _L , Ω	C _L , pF	V _{LOAD}	V _{mi} , V	V _{mo} , V	V _Y , V
1.65 to 1.95	500	30	2 x V _{CC}	V _{CC} /2	V _{CC} /2	0.15
2.3 to 2.7	500	30	2 x V _{CC}	V _{CC} /2	V _{CC} /2	0.15
2.7	500	50	6 V	1.5	V _{CC} /2	0.3
3.0 to 3.6	500	50	6 V	1.5	V _{CC} /2	0.3
4.5 to 4.5	500	50	2 x V _{CC}	V _{CC} /2	V _{CC} /2	0.3

Figure 4. Switching Waveforms

74LCX240

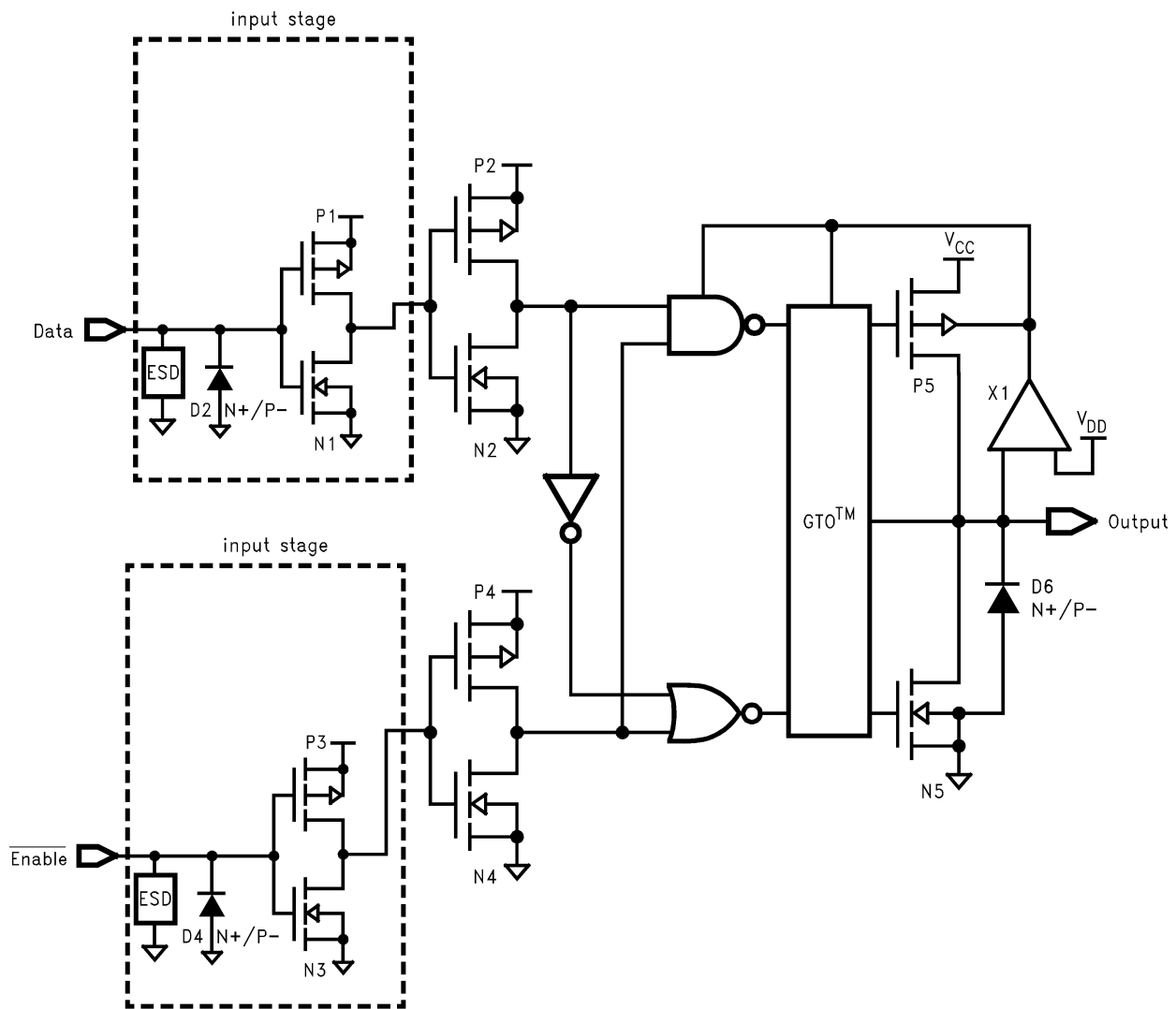


Figure 5. Schematic Diagram
(Generic for LCX Family)

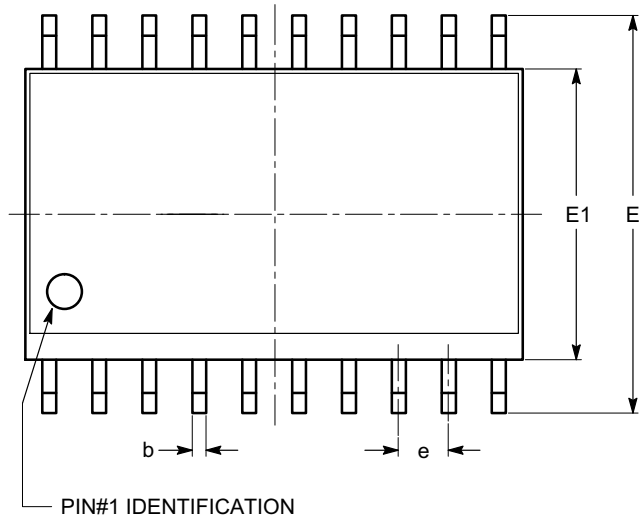
ORDERING INFORMATION

Device	Marking	Package	Shipping [†]
74LCX240MTCX	LCX 240	TSSOP-20 (Pb-Free)	2500 / Tape & Reel

[†]For information on tape and reel specifications, including part orientation and tape sizes, please refer to our Tape and Reel Packaging Specifications Brochure, [BRD8011/D](#).

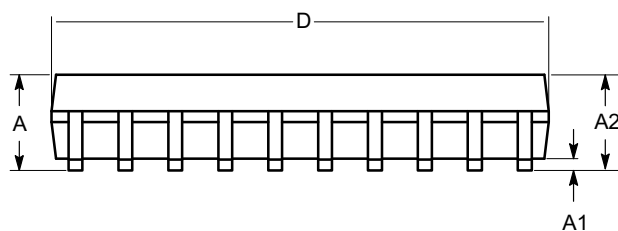
SOIC-20, 300 mils
CASE 751BJ
ISSUE O

DATE 19 DEC 2008

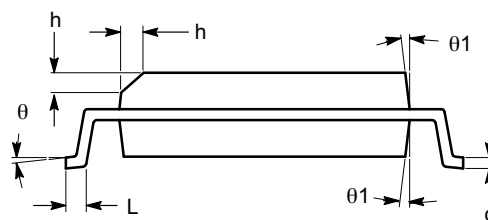


TOP VIEW

SYMBOL	MIN	NOM	MAX
A	2.36	2.49	2.64
A1	0.10		0.30
A2	2.05		2.55
b	0.31	0.41	0.51
c	0.20	0.27	0.33
D	12.60	12.80	13.00
E	10.01	10.30	10.64
E1	7.40	7.50	7.60
e	1.27 BSC		
h	0.25		0.75
L	0.40	0.81	1.27
θ	0°		8°
θ_1	5°		15°



SIDE VIEW



END VIEW

Notes:

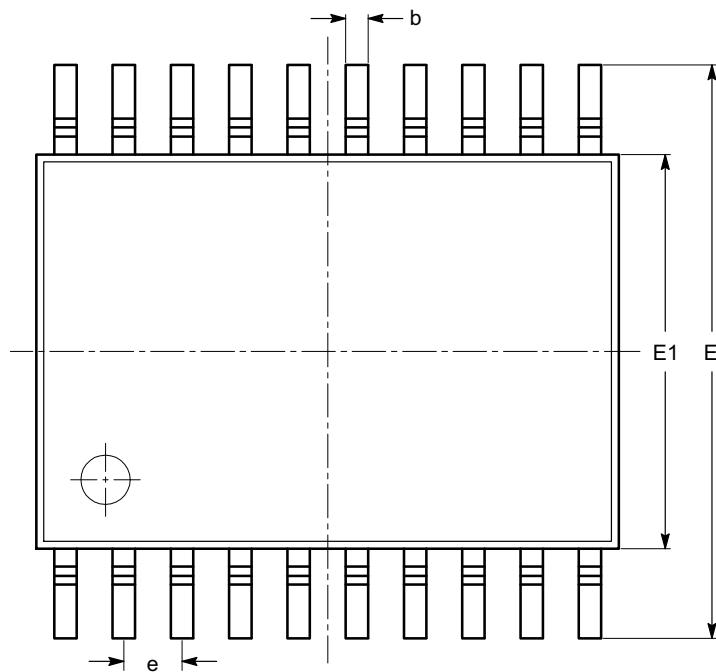
- (1) All dimensions are in millimeters. Angles in degrees.
- (2) Complies with JEDEC MS-013.

DOCUMENT NUMBER:	98AON34287E	Electronic versions are uncontrolled except when accessed directly from the Document Repository. Printed versions are uncontrolled except when stamped "CONTROLLED COPY" in red.
DESCRIPTION:	SOIC-20, 300 MILS	PAGE 1 OF 1

onsemi and ONSEMI are trademarks of Semiconductor Components Industries, LLC dba onsemi or its subsidiaries in the United States and/or other countries. onsemi reserves the right to make changes without further notice to any products herein. onsemi makes no warranty, representation or guarantee regarding the suitability of its products for any particular purpose, nor does onsemi assume any liability arising out of the application or use of any product or circuit, and specifically disclaims any and all liability, including without limitation special, consequential or incidental damages. onsemi does not convey any license under its patent rights nor the rights of others.

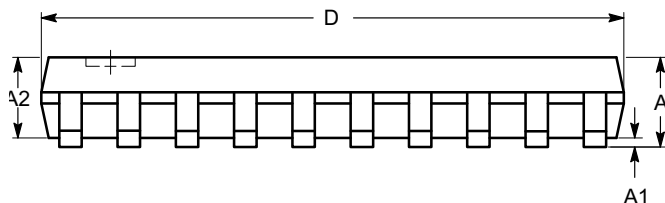
TSSOP20, 4.4x6.5
CASE 948AQ
ISSUE A

DATE 19 MAR 2009

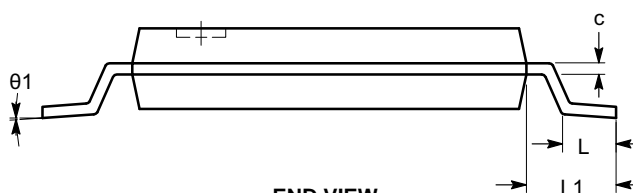


TOP VIEW

SYMBOL	MIN	NOM	MAX
A			1.20
A1	0.05		0.15
A2	0.80		1.05
b	0.19		0.30
c	0.09		0.20
D	6.40	6.50	6.60
E	6.30	6.40	6.50
E1	4.30	4.40	4.50
e	0.65 BSC		
L	0.45	0.60	0.75
L1	1.00 REF		
θ	0°		8°



SIDE VIEW



END VIEW

Notes:

- (1) All dimensions are in millimeters. Angles in degrees.
- (2) Complies with JEDEC MO-153.

DOCUMENT NUMBER:	98AON34453E	Electronic versions are uncontrolled except when accessed directly from the Document Repository. Printed versions are uncontrolled except when stamped "CONTROLLED COPY" in red.
DESCRIPTION:	TSSOP20, 4.4X6.5	PAGE 1 OF 1

onsemi and ONSEMI are trademarks of Semiconductor Components Industries, LLC dba onsemi or its subsidiaries in the United States and/or other countries. onsemi reserves the right to make changes without further notice to any products herein. onsemi makes no warranty, representation or guarantee regarding the suitability of its products for any particular purpose, nor does onsemi assume any liability arising out of the application or use of any product or circuit, and specifically disclaims any and all liability, including without limitation special, consequential or incidental damages. onsemi does not convey any license under its patent rights nor the rights of others.

onsemi, **Onsemi**, and other names, marks, and brands are registered and/or common law trademarks of Semiconductor Components Industries, LLC dba "**onsemi**" or its affiliates and/or subsidiaries in the United States and/or other countries. **onsemi** owns the rights to a number of patents, trademarks, copyrights, trade secrets, and other intellectual property. A listing of **onsemi**'s product/patent coverage may be accessed at www.onsemi.com/site/pdf/Patent-Marking.pdf. **onsemi** reserves the right to make changes at any time to any products or information herein, without notice. The information herein is provided "as-is" and **onsemi** makes no warranty, representation or guarantee regarding the accuracy of the information, product features, availability, functionality, or suitability of its products for any particular purpose, nor does **onsemi** assume any liability arising out of the application or use of any product or circuit, and specifically disclaims any and all liability, including without limitation special, consequential or incidental damages. Buyer is responsible for its products and applications using **onsemi** products, including compliance with all laws, regulations and safety requirements or standards, regardless of any support or applications information provided by **onsemi**. "Typical" parameters which may be provided in **onsemi** data sheets and/or specifications can and do vary in different applications and actual performance may vary over time. All operating parameters, including "Typicals" must be validated for each customer application by customer's technical experts. **onsemi** does not convey any license under any of its intellectual property rights nor the rights of others. **onsemi** products are not designed, intended, or authorized for use as a critical component in life support systems or any FDA Class 3 medical devices or medical devices with a same or similar classification in a foreign jurisdiction or any devices intended for implantation in the human body. Should Buyer purchase or use **onsemi** products for any such unintended or unauthorized application, Buyer shall indemnify and hold **onsemi** and its officers, employees, subsidiaries, affiliates, and distributors harmless against all claims, costs, damages, and expenses, and reasonable attorney fees arising out of, directly or indirectly, any claim of personal injury or death associated with such unintended or unauthorized use, even if such claim alleges that **onsemi** was negligent regarding the design or manufacture of the part. **onsemi** is an Equal Opportunity/Affirmative Action Employer. This literature is subject to all applicable copyright laws and is not for resale in any manner.

ADDITIONAL INFORMATION

TECHNICAL PUBLICATIONS:

Technical Library: www.onsemi.com/design/resources/technical-documentation
onsemi Website: www.onsemi.com

ONLINE SUPPORT: www.onsemi.com/support

For additional information, please contact your local Sales Representative at www.onsemi.com/support/sales

OUR CERTIFICATE

DiGi provide top-quality products and perfect service for customer worldwide through standardization, technological innovation and continuous improvement. DiGi through third-party certification, we stricly control the quality of products and services. Welcome your RFQ to

Email: Info@DiGi-Electronics.com



Tel: +00 852-30501935

RFQ Email: Info@DiGi-Electronics.com

DiGi is a global authorized distributor of electronic components.