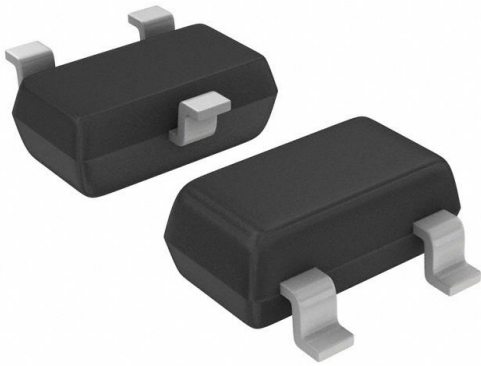


CAT853STBI-T3 Datasheet

www.digi-electronics.com



<https://www.DiGi-Electronics.com>

| | |
|------------------------------|--|
| DiGi Electronics Part Number | CAT853STBI-T3-DG |
| Manufacturer | onsemi |
| Manufacturer Product Number | CAT853STBI-T3 |
| Description | IC SUPERVISOR 1 CHANNEL SOT23-3 |
| Detailed Description | Supervisor Open Drain or Open Collector 1 Channel SOT-23-3 |



Tel: +00 852-30501935

RFQ Email: Info@DiGi-Electronics.com

DiGi is a global authorized distributor of electronic components.

Purchase and inquiry

Manufacturer Product Number:

CAT853STBI-T3

Series:

-

DiGi-Electronics Programmable:

Not Verified

Number of Voltages Monitored:

1

Output:

Open Drain or Open Collector

Reset Timeout:

140ms Minimum

Mounting Type:

Surface Mount

Supplier Device Package:

SOT-23-3

Manufacturer:

onsemi

Product Status:

Obsolete

Type:

Simple Reset/Power-On Reset

Voltage - Threshold:

2.93V

Reset:

Active Low

Operating Temperature:

-40°C ~ 85°C (TA)

Package / Case:

TO-236-3, SC-59, SOT-23-3

Base Product Number:

CAT853

Environmental & Export classification

RoHS Status:

ROHS3 Compliant

REACH Status:

REACH Unaffected

HTSUS:

8542.39.0001

Moisture Sensitivity Level (MSL):

1 (Unlimited)

ECCN:

EAR99

CAT853, CAT859, CAT863, CAT869

3-Pin Microprocessor Power Supply Supervisors

Description

The CAT853, CAT863, CAT859, and CAT869 are supervisory circuits that monitor power supplies in digital systems.

These devices generate a reset signal, which is asserted while the power supply voltage is below a preset threshold level and for at least 140 ms after the power supply level has risen above that level. Industry standard threshold levels are offered to support +3.3 V or 5.0 V systems.

The CAT859 and CAT869 feature a $\overline{\text{RESET}}$ push-pull output (active low) for the two pinout options.

The CAT853 and CAT863 feature an open drain $\overline{\text{RESET}}$ output (active low). Both require a pull-up resistor on the RESET output.

Fast transients on the power supply are ignored and the output is guaranteed to be in the correct state at V_{CC} levels as low as 1.0 V.

Features

- Precision Monitoring of +3.3 V (–5%, –10%), 5 V (–10% Power Supplies)
- Active Low Reset Output
- Reset Valid down to $V_{CC} = 1.0$ V
- 6 μA Power Supply Current
- Power Supply Transient Immunity
- Industrial Temperature Range: –40°C to +85°C
- SOT–23 Package
- These Devices are Pb–Free and are RoHS Compliant

Applications

- Computers, Servers, Laptops and Cable Modems
- Wireless Communications
- Embedded Control Systems
- White Goods
- Power Meters
- Intelligent Instruments
- PDAs and Handheld Equipment

Table 1. THRESHOLD SUFFIX SELECTOR

| Nominal Threshold Voltage | Threshold Suffix Designation |
|---------------------------|------------------------------|
| 4.63 V | L |
| 4.38 V | M |
| 4.20 V | F |
| 4.00 V | J |
| 3.08 V | T |
| 2.93 V | S |
| 2.63 V | R |
| 2.40 V | C |
| 2.32 V | Z |



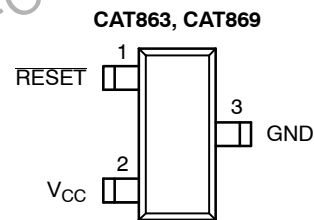
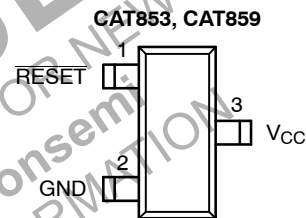
ON Semiconductor®

<http://onsemi.com>



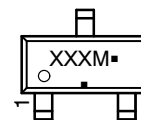
SOT–23
TB SUFFIX
CASE 527AG

PIN CONFIGURATION



(Top Views)

MARKING DIAGRAM



XXX = Specific Device Code
M = Date Code
▪ = Pb–Free Package

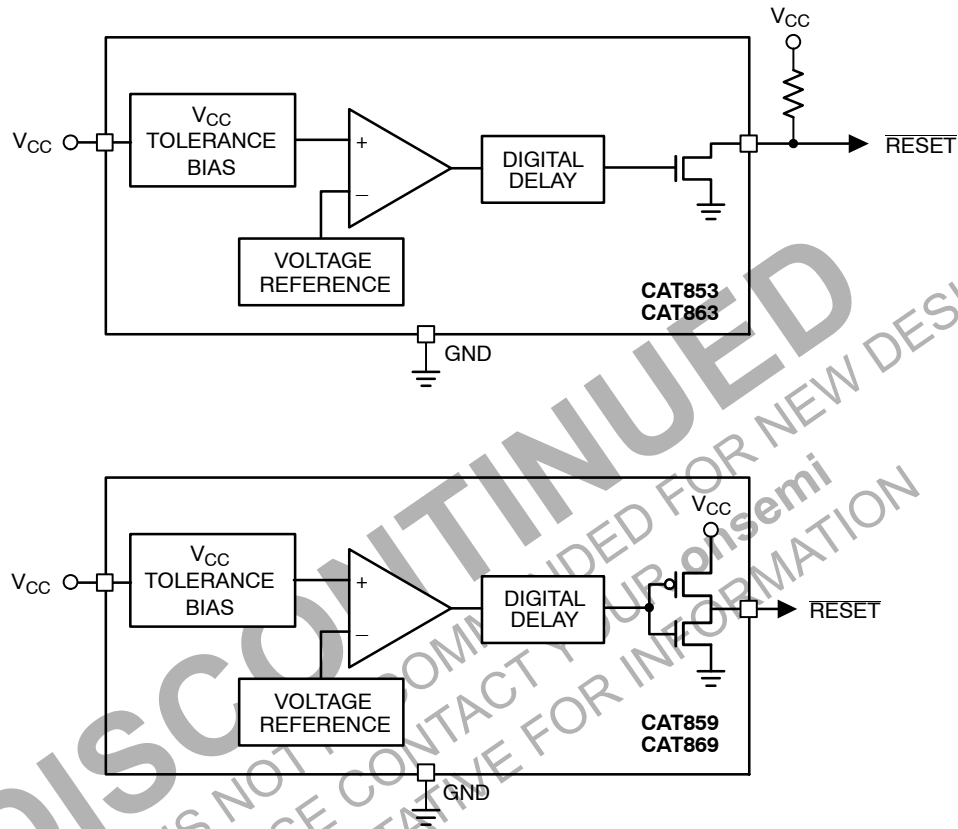
(*Note: Microdot may be in either location)

ORDERING INFORMATION

See detailed ordering and shipping information in the package dimensions section on page 7 of this data sheet.

CAT853, CAT859, CAT863, CAT869**Table 2. PIN DESCRIPTION**

| Pin Name | Function |
|----------|--|
| RESET | Active low reset. RESET is asserted if V_{CC} falls below the reset threshold and remains low for at least 140 ms after V_{CC} rises above the reset threshold |
| GND | Ground |
| V_{CC} | Power supply voltage that is monitored |

**Figure 1. Block Diagrams****Table 3. ABSOLUTE MAXIMUM RATINGS**

| Parameters | Ratings | Units |
|---|--------------|--------------|
| Any pin with respect to ground | -0.3 to +6.0 | V |
| Input Current, V_{CC} | 20 | mA |
| Output Current, $\overline{\text{RESET}}$ | 20 | mA |
| Rate of Rise, V_{CC} | 100 | V/ μ s |
| Continuous Power Dissipation Derate 4 mW/ $^{\circ}$ C above 70 $^{\circ}$ C (SOT23) | 320 | mW |
| Operating Temperature Range | -40 to +85 | $^{\circ}$ C |
| Storage Temperature Range | -65 to +105 | $^{\circ}$ C |
| Lead Soldering Temperature (10 sec) | 300 | $^{\circ}$ C |

Stresses exceeding Maximum Ratings may damage the device. Maximum Ratings are stress ratings only. Functional operation above the Recommended Operating Conditions is not implied. Extended exposure to stresses above the Recommended Operating Conditions may affect device reliability.

CAT853, CAT859, CAT863, CAT869**Table 4. ELECTRICAL CHARACTERISTICS** (V_{CC} = Full range, T_A = -40°C to $+85^{\circ}\text{C}$ unless otherwise noted. Typical values at $T_A = +25^{\circ}\text{C}$ and $V_{CC} = 3.3\text{ V}$ for the C, S, T versions, $V_{CC} = 5\text{ V}$ for the M version.)

| Symbol | Parameter | Conditions | | Min | Typ (Note 1) | Max | Units | | | |
|----------|-----------------------------|--|--|--|-----------------|------|---------------|----|--|-------------------------|
| | V_{CC} Range | $T_A = 0^{\circ}\text{C}$ to $+70^{\circ}\text{C}$ | | 1.0 | | 5.5 | V | | | |
| | | $T_A = -40^{\circ}\text{C}$ to $+85^{\circ}\text{C}$ | | 1.2 | | 5.5 | | | | |
| I_{CC} | Supply Current | $T_A = -40^{\circ}\text{C}$ to $+85^{\circ}\text{C}$ | $V_{CC} < 3.6\text{ V}$, C, S, T | | 6 | 15 | μA | | | |
| V_{TH} | Reset Threshold Voltage | L Threshold | $T_A = +25^{\circ}\text{C}$ | 4.56 | 4.63 | 4.70 | V | | | |
| | | | $T_A = -40^{\circ}\text{C}$ to $+85^{\circ}\text{C}$ | 4.50 | | 4.75 | | | | |
| | | M Threshold | $T_A = +25^{\circ}\text{C}$ | 4.31 | 4.38 | 4.45 | | | | |
| | | | $T_A = -40^{\circ}\text{C}$ to $+85^{\circ}\text{C}$ | 4.25 | | 4.50 | | | | |
| | | F Threshold | $T_A = +25^{\circ}\text{C}$ | 4.14 | 4.20 | 4.26 | | | | |
| | | | $T_A = -40^{\circ}\text{C}$ to $+85^{\circ}\text{C}$ | 4.08 | | 4.31 | | | | |
| | | J Threshold | $T_A = +25^{\circ}\text{C}$ | 3.93 | 4.00 | 4.06 | | | | |
| | | | $T_A = -40^{\circ}\text{C}$ to $+85^{\circ}\text{C}$ | 3.89 | | 4.10 | | | | |
| | | T Threshold | $T_A = +25^{\circ}\text{C}$ | 3.04 | 3.08 | 3.11 | | | | |
| | | | $T_A = -40^{\circ}\text{C}$ to $+85^{\circ}\text{C}$ | 3.00 | | 3.15 | | | | |
| | | S Threshold | $T_A = +25^{\circ}\text{C}$ | 2.89 | 2.93 | 2.96 | | | | |
| | | | $T_A = -40^{\circ}\text{C}$ to $+85^{\circ}\text{C}$ | 2.85 | | 3.00 | | | | |
| | | R Threshold | $T_A = +25^{\circ}\text{C}$ | 2.59 | 2.63 | 2.66 | | | | |
| | | | $T_A = -40^{\circ}\text{C}$ to $+85^{\circ}\text{C}$ | 2.55 | | 2.70 | | | | |
| | | C Threshold | $T_A = +25^{\circ}\text{C}$ | 2.35 | 2.40 | 2.45 | | | | |
| | | | $T_A = -40^{\circ}\text{C}$ to $+85^{\circ}\text{C}$ | 2.30 | | 2.50 | | | | |
| | | Z Threshold | $T_A = +25^{\circ}\text{C}$ | 2.28 | 2.32 | 2.35 | | | | |
| | | | $T_A = -40^{\circ}\text{C}$ to $+85^{\circ}\text{C}$ | 2.25 | | 2.38 | | | | |
| | | | Reset Threshold Tempco | | | | | 30 | | ppm/ $^{\circ}\text{C}$ |
| | | | V_{CC} to Reset Delay | $V_{CC} \leq V_{TH}$ to $(V_{TH} - 100\text{ mV})$ | | | | 20 | | μs |
| | Reset Active Timeout Period | $T_A = -40^{\circ}\text{C}$ to $+85^{\circ}\text{C}$ | | 140 | 240 | 460 | ms | | | |
| V_{OL} | RESET Output Voltage Low | $V_{CC} = V_{TH}$ min, $I_{SINK} = 1.2\text{ mA}$ | | | | 0.4 | V | | | |
| | | $V_{CC} > 1.0\text{ V}$, $I_{SINK} = 50\text{ }\mu\text{A}$ | | | | 0.3 | | | | |
| V_{OH} | RESET Output Voltage High | $V_{CC} = V_{TH}$ max, $I_{SOURCE} = -500\text{ }\mu\text{A}$ (for CAT859/869 only) | | $0.8 V_{CC}$ | | | V | | | |

1. Production testing done at $T_A = +25^{\circ}\text{C}$; limits over temperature guaranteed by design only.

CAT853, CAT859, CAT863, CAT869

TYPICAL ELECTRICAL OPERATING CHARACTERISTICS

(V_{CC} = Full range, T_A = -40°C to $+85^{\circ}\text{C}$ unless otherwise noted. Typical values at T_A = $+25^{\circ}\text{C}$ and V_{CC} = 3.3 V for the C, S, T versions, V_{CC} = 5 V for the M version.)

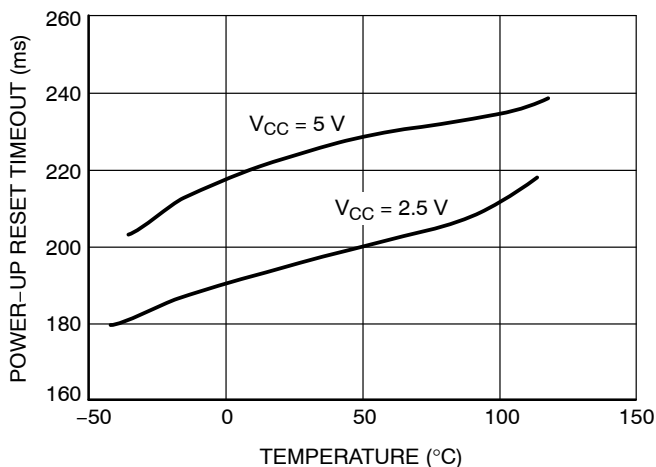


Figure 2. Power-Up Reset Timeout vs. Temperature

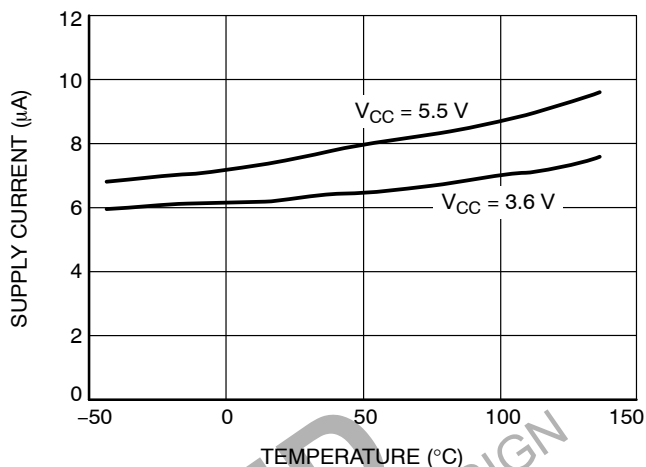


Figure 3. Supply Current vs. Temperature (No Load)

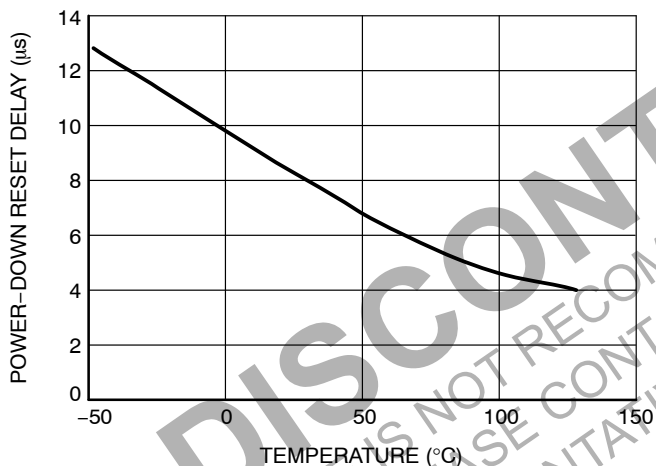


Figure 4. Power-Down Reset Delay vs. Temperature

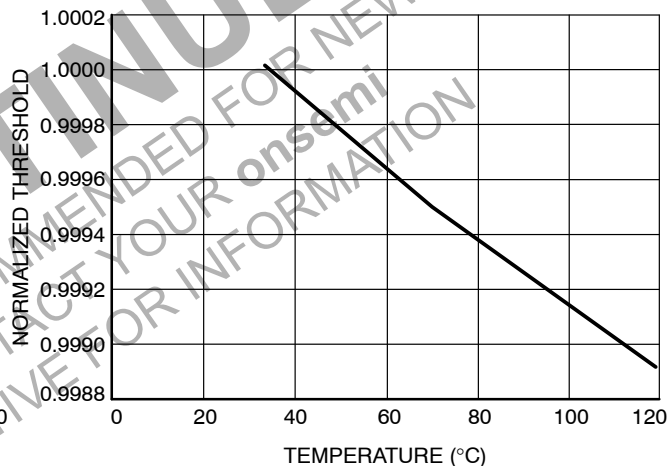


Figure 5. Normalized Reset Threshold vs. Temperature

CAT853, CAT859, CAT863, CAT869

DETAILED DESCRIPTION

Reset Timing

The reset signal is asserted low for the CAT853, CAT863, CAT859, and CAT869 when the power supply voltage falls below the threshold trip voltage and remains asserted for at least 140 ms after the power supply voltage has risen above the threshold.

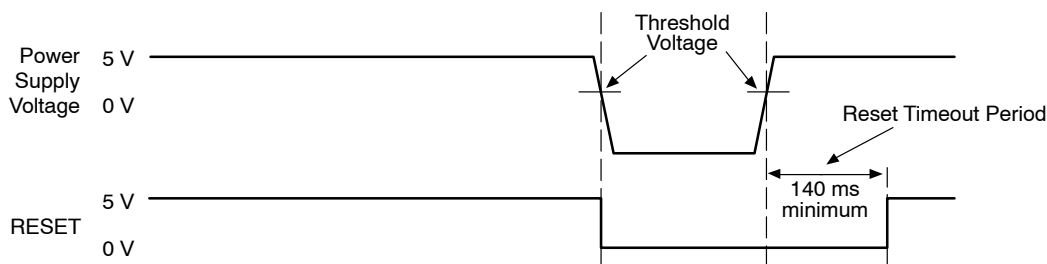


Figure 6. Reset Timing Diagram

V_{CC} Transient Response

The CAT853, CAT863, CAT859, and CAT869 protect μ Ps against brownout failure. Short duration transients of 4 μ s or less and 100 mV amplitude typically do not cause a false RESET.

Figure 7 shows the maximum pulse duration of negative-going V_{CC} transients that do not cause a reset condition. As the amplitude of the transient goes further below the threshold (increasing $V_{TH} - V_{CC}$), the maximum pulse duration decreases. In this test, the V_{CC} starts from an initial voltage of 0.5 V above the threshold and drops below it by the amplitude of the overdrive voltage ($V_{TH} - V_{CC}$).

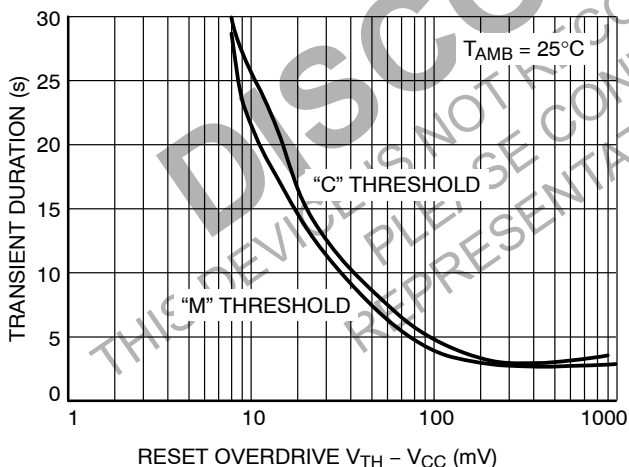


Figure 7. Maximum Transient Duration Without Causing a Reset Pulse vs. Reset Comparator Overdrive

Valid Reset with V_{CC} under 1.0 V

To ensure that the CAT859 and CAT869 RESET pin is in a known state when V_{CC} is under 1.0 V, a > 10 k Ω pull-down resistor between RESET pin and GND is recommended.

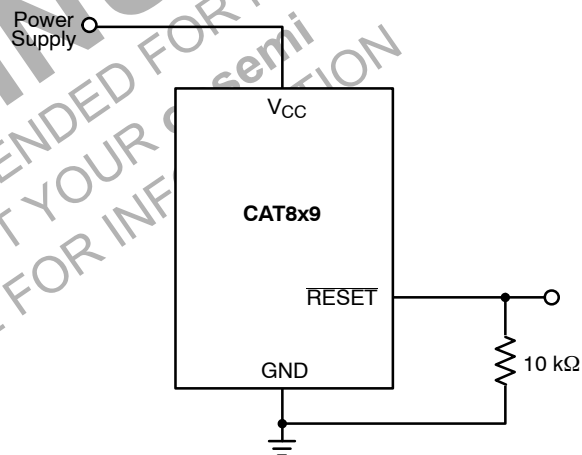


Figure 8. RESET Valid with V_{CC} Under 1.0 V

CAT853, CAT859, CAT863, CAT869**Bi-directional Reset Pin Interfacing**

The CAT859 and CAT869 can interface with $\mu\text{P}/\mu\text{C}$ bi-directional reset pins by connecting a $4.7\text{ k}\Omega$ resistor in series with the CAT859 and CAT869 reset output and the $\mu\text{P}/\mu\text{C}$ bi-directional reset pin.

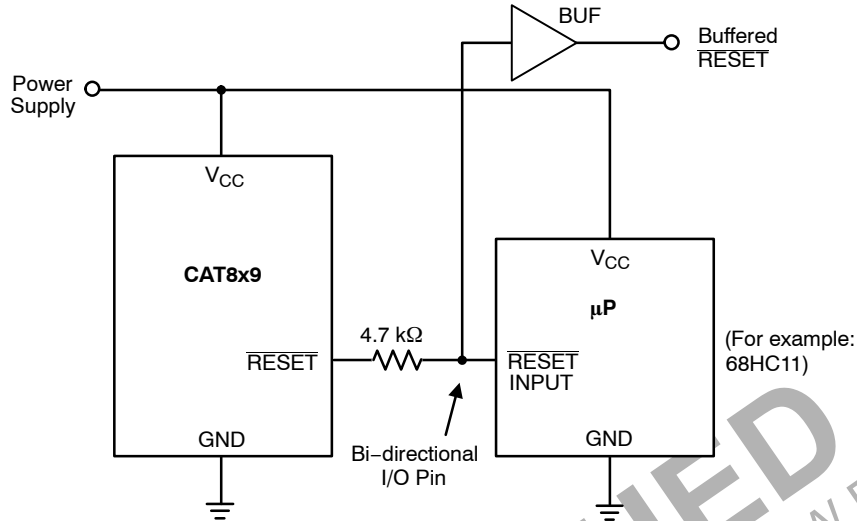


Figure 9. Bi-directional Reset Pin Interfacing

CAT853 and CAT863 Open-Drain RESET Application

The CAT853 and CAT863 features an open-drain RESET output and therefore need a pull-up resistor on the output for proper operation, as shown on Figure 10. An advantage of the open-drain output includes the ability to “wire AND”

several outputs together to form an inexpensive logic circuit. It is also possible to have the pull-up resistor connected to a different supply which can be higher than the CAT8x3 V_{CC} pin. The value of the pull-up resistor is not critical in most applications, typical values being between $5\text{ k}\Omega$ and $10\text{ k}\Omega$.

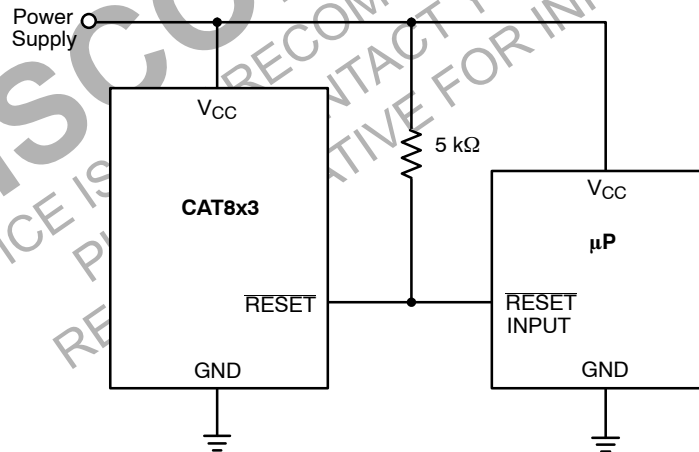


Figure 10. Typical CAT8x3 Open-Drain Circuit Configuration

CAT853, CAT859, CAT863, CAT869**ORDERING INFORMATION**

| Order Number | | Voltage | Top Mark (Note 2) | | Reset | Package | Quantity per Reel (Note 3) |
|----------------|---------------|---------|-------------------|-----------|-------|----------|----------------------------|
| NiPdAu | Matte-Tin | | NiPdAu | Matte-Tin | | | |
| CAT853LTBI-GT3 | CAT853LTBI-T3 | 4.63 V | VPA | VPR | LOW | SOT-23-3 | 3,000 |
| CAT853MTBI-GT3 | CAT853MTBI-T3 | 4.38 V | VPA | VPR | | | |
| CAT853FTBI-GT3 | CAT853FTBI-T3 | 4.20 V | VPA | VPR | | | |
| CAT853JTBI-GT3 | CAT853JTBI-T3 | 4.00 V | VPA | VPR | | | |
| CAT853TTBI-GT3 | CAT853TTBI-T3 | 3.08 V | VPA | VPR | | | |
| CAT853STBI-GT3 | CAT853STBI-T3 | 2.93 V | VPA | VPR | | | |
| CAT853RTBI-GT3 | CAT853RTBI-T3 | 2.63 V | VPA | VPR | | | |
| CAT853CTBI-GT3 | CAT853CTBI-T3 | 2.40 V | VPA | VPR | | | |
| CAT853ZTBI-GT3 | CAT853ZTBI-T3 | 2.32 V | VPA | VPR | | | |
| CAT859LTBI-GT3 | CAT859LTBI-T3 | 4.63 V | VNA | VNR | LOW | SOT-23-3 | 3,000 |
| CAT859MTBI-GT3 | CAT859MTBI-T3 | 4.38 V | VNA | VNR | | | |
| CAT859FTBI-GT3 | CAT859FTBI-T3 | 4.20 V | VNA | VNR | | | |
| CAT859JTBI-GT3 | CAT859JTBI-T3 | 4.00 V | VNA | VNR | | | |
| CAT859TTBI-GT3 | CAT859TTBI-T3 | 3.08 V | VNA | VNR | | | |
| CAT859STBI-GT3 | CAT859STBI-T3 | 2.93 V | VNA | VNR | | | |
| CAT859RTBI-GT3 | CAT859RTBI-T3 | 2.63 V | VNA | VNR | | | |
| CAT859CTBI-GT3 | CAT859CTBI-T3 | 2.40 V | VNA | VNR | | | |
| CAT859ZTBI-GT3 | CAT859ZTBI-T3 | 2.32 V | VNA | VNR | | | |
| CAT863LTBI-GT3 | CAT863LTBI-T3 | 4.63 V | VNB | VNK | LOW | SOT-23-3 | 3,000 |
| CAT863MTBI-GT3 | CAT863MTBI-T3 | 4.38 V | VNB | VNK | | | |
| CAT863FTBI-GT3 | CAT863FTBI-T3 | 4.20 V | VNB | VNK | | | |
| CAT863JTBI-GT3 | CAT863JTBI-T3 | 4.00 V | VNB | VNK | | | |
| CAT863TTBI-GT3 | CAT863TTBI-T3 | 3.08 V | VNB | VNK | | | |
| CAT863STBI-GT3 | CAT863STBI-T3 | 2.93 V | VNB | VNK | | | |
| CAT863RTBI-GT3 | CAT863RTBI-T3 | 2.63 V | VNB | VNK | | | |
| CAT863CTBI-GT3 | CAT863CTBI-T3 | 2.40 V | VNB | VNK | | | |
| CAT863ZTBI-GT3 | CAT863ZTBI-T3 | 2.32 V | VNB | VNK | | | |
| CAT869LTBI-GT3 | CAT869LTBI-T3 | 4.63 V | VNC | VNJ | LOW | SOT-23-3 | 3,000 |
| CAT869MTBI-GT3 | CAT869MTBI-T3 | 4.38 V | VNC | VNJ | | | |
| CAT869FTBI-GT3 | CAT869FTBI-T3 | 4.20 V | VNC | VNJ | | | |
| CAT869JTBI-GT3 | CAT869JTBI-T3 | 4.00 V | VNC | VNJ | | | |
| CAT869TTBI-GT3 | CAT869TTBI-T3 | 3.08 V | VNC | VNJ | | | |
| CAT869STBI-GT3 | CAT869STBI-T3 | 2.93 V | VNC | VNJ | | | |
| CAT869RTBI-GT3 | CAT869RTBI-T3 | 2.63 V | VNC | VNJ | | | |
| CAT869CTBI-GT3 | CAT869CTBI-T3 | 2.40 V | VNC | VNJ | | | |
| CAT869ZTBI-GT3 | CAT869ZTBI-T3 | 2.32 V | VNC | VNJ | | | |

2. Threshold and full part numbers will be provided on box and reel labels as well as all Shipping documents.

3. For information on tape and reel specifications, including part orientation and tape sizes, please refer to our Tape and Reel Packaging Specifications Brochure, BRD8011/D.

4. For detailed information and a breakdown of device nomenclature and numbering systems, please see the ON Semiconductor Device Nomenclature document, TND310/D, available at www.onsemi.com

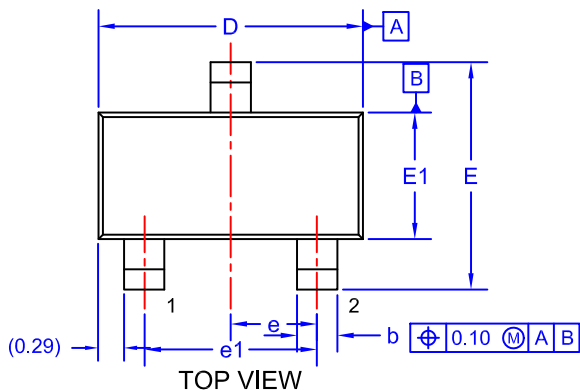


**MECHANICAL CASE OUTLINE
PACKAGE DIMENSIONS**



SOT-23/SUPERSOT™ -23, 3 LEAD, 1.4x2.9
CASE 527AG
ISSUE A

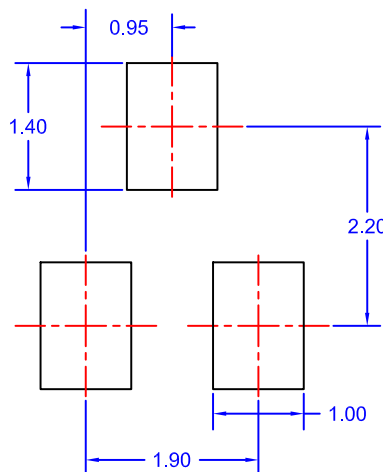
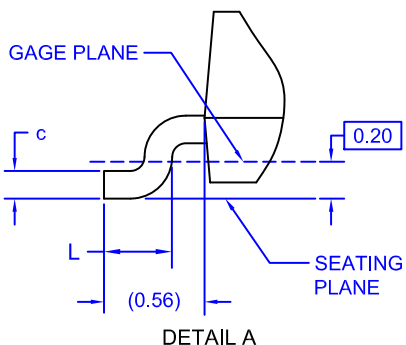
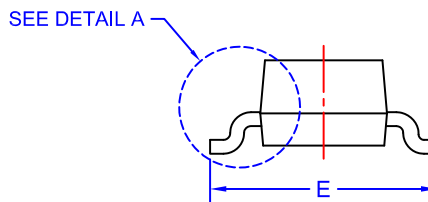
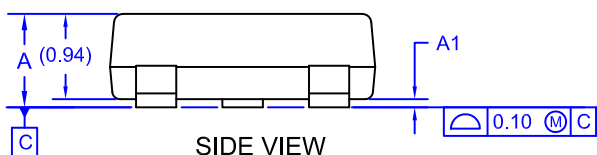
DATE 09 DEC 2019



NOTES: UNLESS OTHERWISE SPECIFIED

1. DIMENSIONING AND TOLERANCING PER ASME Y14.5M, 2009.
2. ALL DIMENSIONS ARE IN MILLIMETERS.
3. DIMENSIONS ARE EXCLUSIVE OF BURRS, MOLD FLASH AND TIE BAR EXTRUSIONS.

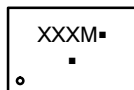
| DIM | MIN. | NOM. | MAX. |
|-----|----------|-------|-------|
| A | 0.85 | 0.95 | 1.12 |
| A1 | 0.00 | 0.05 | 0.10 |
| b | 0.370 | 0.435 | 0.508 |
| c | 0.085 | 0.150 | 0.180 |
| D | 2.80 | 2.92 | 3.04 |
| E | 2.31 | 2.51 | 2.71 |
| E1 | 1.20 | 1.40 | 1.52 |
| e | 0.95 BSC | | |
| e1 | 1.90 BSC | | |
| L | 0.33 | 0.38 | 0.43 |



LAND PATTERN RECOMMENDATION*

*FOR ADDITIONAL INFORMATION ON OUR Pb-FREE STRATEGY AND SOLDERING DETAILS, PLEASE DOWNLOAD THE ON SEMICONDUCTOR SOLDERING AND MOUNTING TECHNIQUES REFERENCE MANUAL, SOLDERRM/D.

GENERIC MARKING DIAGRAM*



- XXX = Specific Device Code
- M = Month Code
- = Pb-Free Package

(Note: Microdot may be in either location)

*This information is generic. Please refer to device data sheet for actual part marking. Pb-Free indicator, "G" or microdot "▪", may or may not be present. Some products may not follow the Generic Marking.

| | | |
|-------------------------|--|--|
| DOCUMENT NUMBER: | 98AON34319E | Electronic versions are uncontrolled except when accessed directly from the Document Repository. Printed versions are uncontrolled except when stamped "CONTROLLED COPY" in red. |
| DESCRIPTION: | SOT-23/SUPERSOT-23, 3 LEAD, 1.4X2.9 | PAGE 1 OF 1 |

onsemi and ONSEMI are trademarks of Semiconductor Components Industries, LLC dba onsemi or its subsidiaries in the United States and/or other countries. onsemi reserves the right to make changes without further notice to any products herein. onsemi makes no warranty, representation or guarantee regarding the suitability of its products for any particular purpose, nor does onsemi assume any liability arising out of the application or use of any product or circuit, and specifically disclaims any and all liability, including without limitation special, consequential or incidental damages. onsemi does not convey any license under its patent rights nor the rights of others.

onsemi, **Onsemi**, and other names, marks, and brands are registered and/or common law trademarks of Semiconductor Components Industries, LLC dba "**onsemi**" or its affiliates and/or subsidiaries in the United States and/or other countries. **onsemi** owns the rights to a number of patents, trademarks, copyrights, trade secrets, and other intellectual property. A listing of **onsemi**'s product/patent coverage may be accessed at www.onsemi.com/site/pdf/Patent-Marking.pdf. **onsemi** reserves the right to make changes at any time to any products or information herein, without notice. The information herein is provided "as-is" and **onsemi** makes no warranty, representation or guarantee regarding the accuracy of the information, product features, availability, functionality, or suitability of its products for any particular purpose, nor does **onsemi** assume any liability arising out of the application or use of any product or circuit, and specifically disclaims any and all liability, including without limitation special, consequential or incidental damages. Buyer is responsible for its products and applications using **onsemi** products, including compliance with all laws, regulations and safety requirements or standards, regardless of any support or applications information provided by **onsemi**. "Typical" parameters which may be provided in **onsemi** data sheets and/or specifications can and do vary in different applications and actual performance may vary over time. All operating parameters, including "Typicals" must be validated for each customer application by customer's technical experts. **onsemi** does not convey any license under any of its intellectual property rights nor the rights of others. **onsemi** products are not designed, intended, or authorized for use as a critical component in life support systems or any FDA Class 3 medical devices or medical devices with a same or similar classification in a foreign jurisdiction or any devices intended for implantation in the human body. Should Buyer purchase or use **onsemi** products for any such unintended or unauthorized application, Buyer shall indemnify and hold **onsemi** and its officers, employees, subsidiaries, affiliates, and distributors harmless against all claims, costs, damages, and expenses, and reasonable attorney fees arising out of, directly or indirectly, any claim of personal injury or death associated with such unintended or unauthorized use, even if such claim alleges that **onsemi** was negligent regarding the design or manufacture of the part. **onsemi** is an Equal Opportunity/Affirmative Action Employer. This literature is subject to all applicable copyright laws and is not for resale in any manner.

ADDITIONAL INFORMATION

TECHNICAL PUBLICATIONS:

Technical Library: www.onsemi.com/design/resources/technical-documentation
onsemi Website: www.onsemi.com

ONLINE SUPPORT: www.onsemi.com/support

For additional information, please contact your local Sales Representative at www.onsemi.com/support/sales

OUR CERTIFICATE

DiGi provide top-quality products and perfect service for customer worldwide through standardization, technological innovation and continuous improvement. DiGi through third-party certification, we stricly control the quality of products and services. Welcome your RFQ to

Email: Info@DiGi-Electronics.com



Tel: +00 852-30501935

RFQ Email: Info@DiGi-Electronics.com

DiGi is a global authorized distributor of electronic components.