

FJP5321TU Datasheet

www.digi-electronics.com



<https://www.DiGi-Electronics.com>

DiGi Electronics Part Number	FJP5321TU-DG
Manufacturer	onsemi
Manufacturer Product Number	FJP5321TU
Description	TRANS NPN 500V 5A TO220-3
Detailed Description	Bipolar (BJT) Transistor NPN 500 V 5 A 14MHz 100 W Through Hole TO-220-3



Tel: +00 852-30501935

RFQ Email: Info@DiGi-Electronics.com

DiGi is a global authorized distributor of electronic components.

Purchase and inquiry

Manufacturer Product Number:

FJP5321TU

Series:

-

Transistor Type:

NPN

Voltage - Collector Emitter Breakdown (Max):

500 V

Current - Collector Cutoff (Max):

100 μ A (ICBO)

Power - Max:

100 W

Operating Temperature:

150°C (TJ)

Package / Case:

TO-220-3

Base Product Number:

FJP532

Manufacturer:

onsemi

Product Status:

Obsolete

Current - Collector (Ic) (Max):

5 A

Vce Saturation (Max) @ Ib, Ic:

1V @ 600mA, 3A

DC Current Gain (hFE) (Min) @ Ic, Vce:

15 @ 600mA, 5V

Frequency - Transition:

14MHz

Mounting Type:

Through Hole

Supplier Device Package:

TO-220-3

Environmental & Export classification

Moisture Sensitivity Level (MSL):

1 (Unlimited)

ECCN:

EAR99

REACH Status:

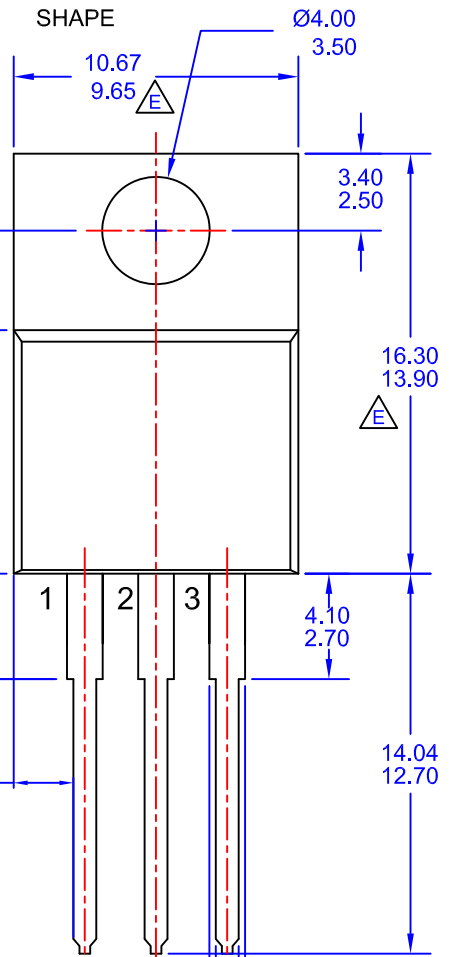
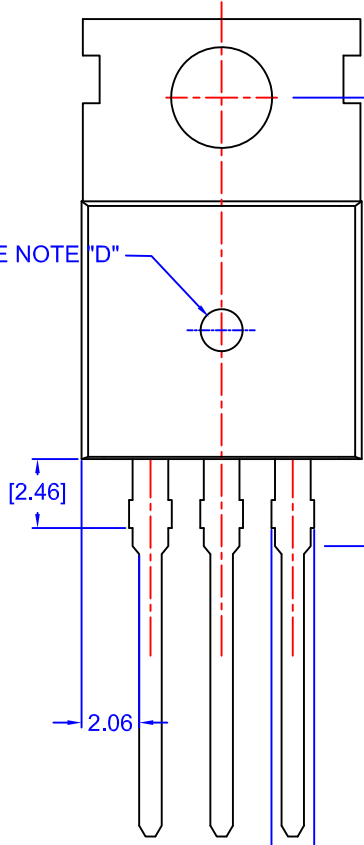
REACH Unaffected

HTSUS:

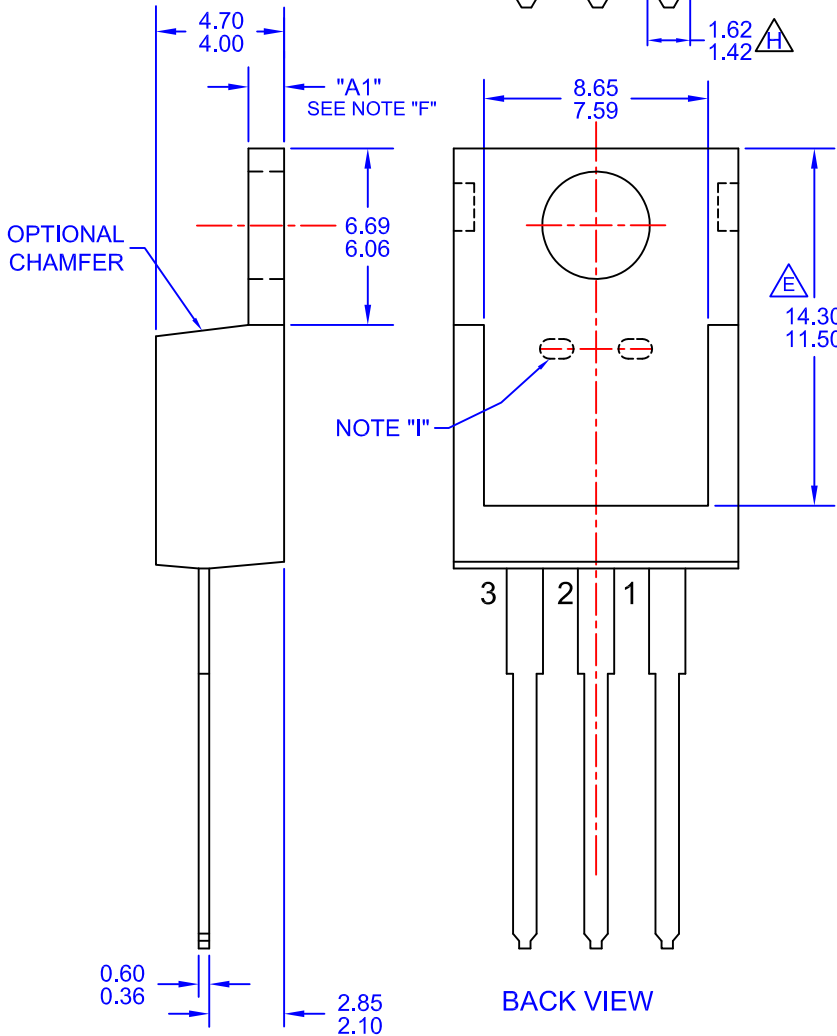
8541.29.0095

SUPPLIER "A" PACKAGE SHAPE

IF PRESENT, SEE NOTE "D"

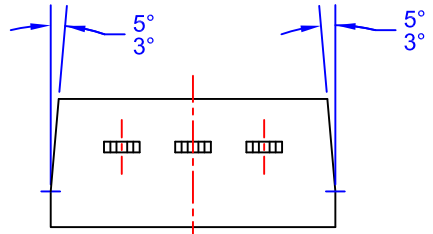


FRONT VIEWS



BACK VIEW

SIDE VIEW



BOTTOM VIEW

NOTES:

- A) REFERENCE JEDEC, TO-220, VARIATION AB
- B) ALL DIMENSIONS ARE IN MILLIMETERS.
- C) DIMENSIONS COMMON TO ALL PACKAGE SUPPLIERS EXCEPT WHERE NOTED [].
- D) LOCATION OF MOLDED FEATURE MAY VARY (LOWER LEFT CORNER, LOWER CENTER AND CENTER OF THE PACKAGE)
- E) DOES NOT COMPLY JEDEC STANDARD VALUE.
- F) "A1" DIMENSIONS AS BELOW:
 SINGLE GAUGE = 0.51 - 0.61
 DUAL GAUGE = 1.10 - 1.45
- G) DRAWING FILE NAME: TO220B03REV8
- H) PRESENCE IS SUPPLIER DEPENDENT
- I) SUPPLIER DEPENDENT MOLD LOCKING HOLES IN HEATSINK.
- J) FAIRCHILD SEMICONDUCTOR

OUR CERTIFICATE

DiGi provide top-quality products and perfect service for customer worldwide through standardization, technological innovation and continuous improvement. DiGi through third-party certification, we stricly control the quality of products and services. Welcome your RFQ to

Email: Info@DiGi-Electronics.com



Tel: +00 852-30501935

RFQ Email: Info@DiGi-Electronics.com

DiGi is a global authorized distributor of electronic components.