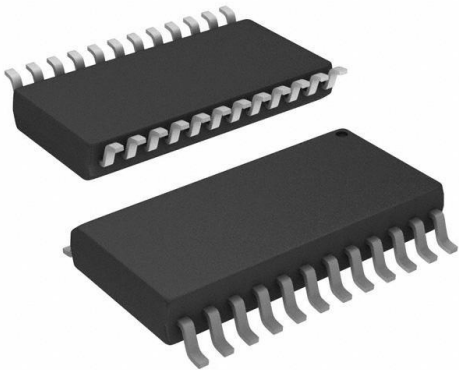


FSTU6800WMX Datasheet

www.digi-electronics.com



FSTU6800WMX

<https://www.DiGi-Electronics.com>

| | |
|------------------------------|------------------------------|
| DiGi Electronics Part Number | FSTU6800WMX-DG |
| Manufacturer | onsemi |
| Manufacturer Product Number | FSTU6800WMX |
| Description | IC BUS SWITCH 10 X 1:1 24SOP |
| Detailed Description | Bus Switch 10 x 1:1 24-SOP |



Tel: +00 852-30501935

RFQ Email: Info@DiGi-Electronics.com

DiGi is a global authorized distributor of electronic components.

Purchase and inquiry

Manufacturer Product Number:

FSTU6800WMX

Series:

-

Type:

Bus Switch

Independent Circuits:

1

Voltage Supply Source:

Single Supply

Operating Temperature:

-40°C ~ 85°C

Package / Case:

24-SOIC (0.295", 7.50mm Width)

Base Product Number:

FSTU6

Manufacturer:

onsemi

Product Status:

Obsolete

Circuit:

10 x 1:1

Current - Output High, Low:

-

Voltage - Supply:

4V ~ 5.5V

Mounting Type:

Surface Mount

Supplier Device Package:

24-SOP

Environmental & Export classification

Moisture Sensitivity Level (MSL):

1 (Unlimited)

ECCN:

EAR99

REACH Status:

REACH Unaffected

HTSUS:

8542.39.0001



December 1998
Revised October 2006

FSTU6800

10-Bit Bus Switch with Precharged Outputs and -2V Undershoot Protection

General Description

The Fairchild Switch FSTU6800 provides 10-bits of high-speed CMOS TTL-compatible bus switching. The low on resistance of the switch allows inputs to be connected to outputs without adding propagation delay or generating additional ground bounce noise. Both the A Ports and the B Ports have "undershoot hardened" circuit protection to support an extended input range to 2.0V below ground. Fairchild's integrated Undershoot Hardened Circuit (UHC®) senses undershoot at the I/Os, and responds by preventing voltage differentials from developing and turning on the switch. The device also precharges the B Port to a selectable bias voltage (BiasV) to minimize live insertion noise.

The device is organized as a 10-bit switch with a bus enable (\overline{OE}) signal. When \overline{OE} is LOW, the switch is ON and Port A is connected to Port B. When \overline{OE} is HIGH, the switch is OPEN and the B Port is precharged to BiasV through an equivalent 10-k Ω resistor.

Features

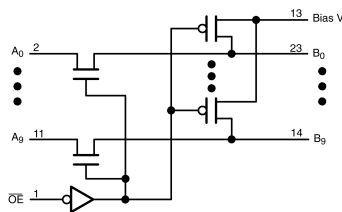
- 4 Ω switch connection between two ports.
- Undershoot Hardened to -2.0V.
- Soft enable turn-on to minimize bus-to-bus charge sharing during enable.
- Low I_{CC} .
- Zero bounce in flow-through mode.
- Output precharge to minimize live insertion noise.
- Control inputs compatible with TTL level.
- See Applications Note AN-5008 for details.

Ordering Code:

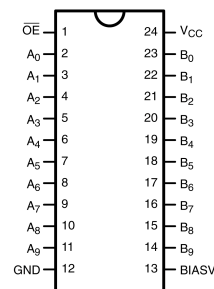
| Order Number | Package Number | Package Description |
|--------------|----------------|---|
| FSTU6800WM | M24B | 24-Lead Small Outline Integrated Circuit (SOIC), JEDEC MS-013, 0.300 Wide |
| FSTU6800QSC | MQA24 | 24-Lead Quarter Size Outline Package (QSOP), JEDEC MO-137, 0.150 Wide |
| FSTU6800MTC | MTC24 | 24-Lead Thin Shrink Small Outline Package (TSSOP), JEDEC MO-153, 4.4mm Wide |

Devices also available in Tape and Reel. Specify by appending the suffix letter "X" to the ordering code.

Logic Diagram



Connection Diagram



Pin Descriptions

| Pin Name | Description |
|-----------------|--------------------|
| \overline{OE} | Bus Switch Enable |
| A | Bus A |
| B | Bus B |
| BiasV | Bus B Voltage Bias |

Truth Table

| \overline{OE} | B_0-B_9 | Function |
|-----------------|-----------|-----------|
| L | A_0-A_9 | Connect |
| H | BiasV | Precharge |

UHC® is a registered trademark of Fairchild Semiconductor Corporation.

FSTU6800

Absolute Maximum Ratings (Note 1)

| | |
|---|------------------|
| Supply Voltage (V_{CC}) | -0.5V to +7.0V |
| DC Switch Voltage (V_S) | -2.0V to +7.0V |
| Bias V Voltage Range | -0.5V to +7.0V |
| DC Input Voltage (V_{IN}) (Note 2) | -0.5V to +7.0V |
| DC Input Diode Current (I_{IK}) $V_{IN} < 0V$ | -50mA |
| DC Output (I_{OUT}) Sink Current | 128mA |
| DC V_{CC}/GND Current (I_{CC}/I_{GND}) | +/- 100mA |
| Storage Temperature Range (T_{STG}) | -65°C to +150 °C |

Recommended Operating Conditions (Note 3)

| | |
|--|------------------|
| Power Supply Operating (V_{CC}) | 4.0V to 5.5V |
| Precharge Supply (BiasV) | 1.5V to V_{CC} |
| Input Voltage (V_{IN}) | 0V to 5.5V |
| Output Voltage (V_{OUT}) | 0V to 5.5V |
| Input Rise and Fall Time (t_r, t_f) | |
| Switch Control Input | 0 nS/V to 5 nS/V |
| Switch I/O | 0nS/V to DC |
| Free Air Operating Temperature (T_A) | -40 °C to +85 °C |

Note 1: The Absolute Maximum Ratings are those values beyond which the safety of the device cannot be guaranteed. The device should not be operated at these limits. The parametric values defined in the Electrical Characteristics tables are not guaranteed at the absolute maximum ratings. The Recommended Operating Conditions tables will define the conditions for actual device operation.

Note 2: The input and output negative voltage ratings may be exceeded if the input and output diode current ratings are observed.

Note 3: Unused control inputs must be held HIGH or LOW. They may not float.

DC Electrical Characteristics

| Symbol | Parameter | V_{CC} (V) | $T_A = -40\text{ °C to }+85\text{ °C}$ | | | Units | Conditions |
|-----------------|--------------------------------|--------------|--|--------------|-----------|----------|--|
| | | | Min | Typ (Note 5) | Max | | |
| V_{IK} | Clamp Diode Voltage | 4.5 | | | -1.2 | V | $I_{IN} = -18mA$ |
| V_{IH} | HIGH Level Input Voltage | 4.0-5.5 | 2.0 | | | V | |
| V_{IL} | LOW Level Input Voltage | 4.0-5.5 | | | 0.8 | V | |
| I_I | Input Leakage Current | 5.5 | | | ± 1.0 | μA | $0 \leq V_{IN} \leq 5.5V$ |
| I_O | Output Current | 4.5 | 0.25 | | | mA | BiasV = 2.4V, B = 0 |
| I_{OZ} | OFF-STATE Leakage Current | 5.5 | | | ± 1.0 | μA | $0 \leq A \leq V_{CC}, V_{IN} = V_{IH}$ |
| R_{ON} | Switch On Resistance (Note 4) | 4.5 | | 4 | 7 | Ω | $V_S = 0V, I_{IN} = 64\text{ mA}$ |
| | | 4.5 | | 4 | 7 | Ω | $V_S = 0V, I_{IN} = 30\text{ mA}$ |
| | | 4.5 | | 8 | 15 | Ω | $V_S = 2.4V, I_{IN} = 15\text{ mA}$ |
| | | 4.0 | | 11 | 20 | Ω | $V_S = 2.4V, I_{IN} = 15\text{ mA}$ |
| I_{CC} | Quiescent Supply Current | 5.5 | | | 3 | μA | $V_S = V_{CC}$ or GND, $I_{OUT} = 0$ |
| ΔI_{CC} | Increase in I_{CC} per Input | 5.5 | | | 2.5 | mA | \overline{OE} input at 3.4V Other inputs at V_{CC} or GND |
| I_{BIAS} | Bias Pin Leakage Current | 5.5 | | | ± 1.0 | μA | $\overline{OE} = 0V, B = 0V, \text{BiasV} = 5.5V$ |
| I_{OZU} | Switch Undershoot Current | 5.5 | | | 100 | μA | $I_{IN} = -20\text{ mA}, \overline{OE} = 5.5V, V_{OUT} \geq V_{IH}$ |
| V_{IKU} | Voltage Undershoot | 5.5 | | | -2.0 | V | $0.0\text{ mA} \geq I_{IN} \geq -50\text{ mA}, \overline{OE} = 5.5V$ |

Note 4: Measured by the voltage drop between A and B pins at the indicated current through the switch. On resistance is determined by the lower of the voltages on the two (A or B) pins.

Note 5: Typical values are at $V_{CC} = 5.0V$ and $T_A = +25\text{ °C}$

AC Electrical Characteristics

| Symbol | Parameter | T _A = -40 °C to +85 °C, C _L = 50 pF, R _U = R _D = 500Ω | | | | Units | Conditions | Figure No. |
|-------------------------------------|--------------------------------|--|------|------------------------|------|-------|--------------------------------------|--------------|
| | | V _{CC} = 4.5 - 5.5V | | V _{CC} = 4.0V | | | | |
| | | Min | Max | Min | Max | | | |
| t _{PHL} , t _{PLH} | Prop Delay Bus to Bus (Note 6) | | 0.25 | | 0.25 | ns | V _I = OPEN | Figures 1, 2 |
| t _{PZH} | Output Enable Time | 7.0 | 30.0 | | 35.0 | ns | V _I = OPEN BiasV = GND | Figures 1, 2 |
| t _{PZL} | | 7.0 | 30.0 | | 35.0 | ns | V _I = 7V BiasV = 3V | |
| t _{PHZ} | Output Disable Time | 1.0 | 6.1 | | 6.5 | ns | V _I = OPEN BiasV = GND | Figures 1, 2 |
| t _{PLZ} | | 1.0 | 7.3 | | 6.8 | ns | V _I = 7V BiasV = 3V | |

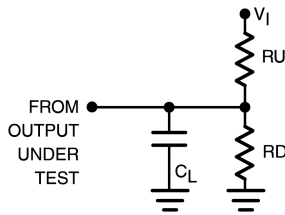
Note 6: This parameter is guaranteed by design but is not tested. The bus switch contributes no propagation delay other than the RC delay of the typical On resistance of the switch and the 50 pF load capacitance, when driven by an ideal voltage the source (zero output impedance).

Capacitance (Note 7)

| Symbol | Parameter | Typ | Max | Units | Conditions |
|------------------|-------------------------------|-----|-----|-------|--|
| C _{IN} | Control Pin Input Capacitance | 3 | | pF | V _{CC} = 5.0V |
| C _{I/O} | Input/Output Capacitance | 5 | | pF | V _{CC} , \overline{OE} = 5.0V |

Note 7: T_A = +25°C, f = 1 MHz, Capacitance is characterized but not tested.

AC Loading and Waveforms



Note: Input driven by 50 Ω source terminated in 50 Ω, R_U = R_D = 500 Ω

Note: C_L includes load and stray capacitance, C_L = 50 pF

Note: Input PRR = 1.0 MHz, t_W = 500 ns

FIGURE 1. AC Test Circuit

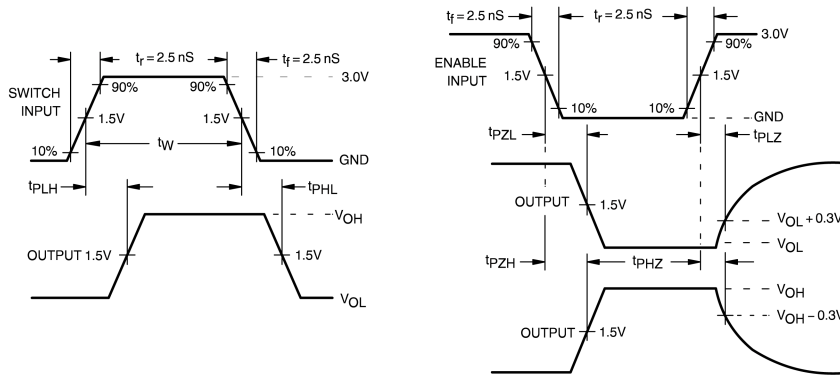
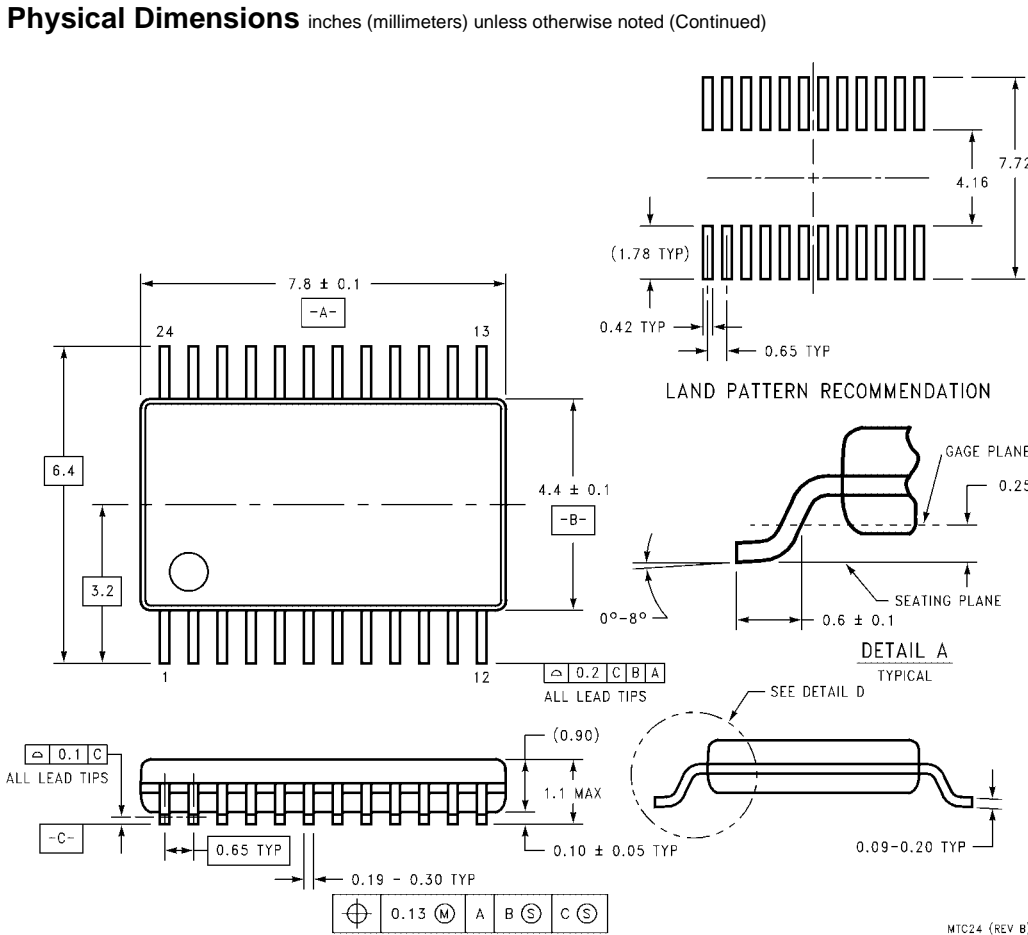


FIGURE 2. AC Waveforms



**24-Lead Thin Shrink Small Outline Package (TSSOP), JEDEC MO-153, 4.4mm Wide
Package Number MTC24**

Technology Description

The Fairchild Switch family derives from and embodies Fairchild's proven switch technology used for several years in its 74LVX3L384 (FST3384) bus switch product.

Fairchild does not assume any responsibility for use of any circuitry described, no circuit patent licenses are implied and Fairchild reserves the right at any time without notice to change said circuitry and specifications.

LIFE SUPPORT POLICY

FAIRCHILD'S PRODUCTS ARE NOT AUTHORIZED FOR USE AS CRITICAL COMPONENTS IN LIFE SUPPORT DEVICES OR SYSTEMS WITHOUT THE EXPRESS WRITTEN APPROVAL OF THE PRESIDENT OF FAIRCHILD SEMICONDUCTOR CORPORATION. As used herein:

1. Life support devices or systems are devices or systems which, (a) are intended for surgical implant into the body, or (b) support or sustain life, and (c) whose failure to perform when properly used in accordance with instructions for use provided in the labeling, can be reasonably expected to result in a significant injury to the user.
2. A critical component in any component of a life support device or system whose failure to perform can be reasonably expected to cause the failure of the life support device or system, or to affect its safety or effectiveness.

www.fairchildsemi.com

OUR CERTIFICATE

DiGi provide top-quality products and perfect service for customer worldwide through standardization, technological innovation and continuous improvement. DiGi through third-party certification, we stricly control the quality of products and services. Welcome your RFQ to

Email: Info@DiGi-Electronics.com



Tel: +00 852-30501935

RFQ Email: Info@DiGi-Electronics.com

DiGi is a global authorized distributor of electronic components.