

# HMA121CR3V Datasheet

[www.digi-electronics.com](http://www.digi-electronics.com)



<https://www.DiGi-Electronics.com>

|                              |   |
|------------------------------|---|
| DiGi Electronics Part Number | HMA121CR3V-DG   |
| Manufacturer                 | <a href="#">onsemi</a>                                  |
| Manufacturer Product Number  | HMA121CR3V  |
| Description                  | OPTOISO 3.75KV TRANSISTOR 4SMD                          |
| Detailed Description         | Optoisolator Transistor Output 3750Vrms 1 Channel 4-SMD |

This model HMA121CR3V is available at DiGi Electronics.

DiGi Electronics offers a global database of semiconductor and electronic component datasheets.

We welcome your inquiries regarding pricing, lead time, or other product-related questions.

 [Request a Quote](#)

 [Datasheet Search](#)



Tel: +00 852-30501935

RFQ Email: [Info@DiGi-Electronics.com](mailto:Info@DiGi-Electronics.com)

DiGi is a global authorized distributor of electronic components.

## Purchase and inquiry

Manufacturer Product Number:

HMA121CR3V

Series:

-

Number of Channels:

1

Current Transfer Ratio (Min):

100% @ 5mA

Turn On / Turn Off Time (Typ):

-

Input Type:

DC

Voltage - Output (Max):

80V

Voltage - Forward (Vf) (Typ):

1.3V (Max)

Vce Saturation (Max):

400mV

Mounting Type:

Surface Mount

Supplier Device Package:

4-SMD

Manufacturer:

onsemi

Product Status:

Obsolete

Voltage - Isolation:

3750Vrms

Current Transfer Ratio (Max):

200% @ 5mA

Rise / Fall Time (Typ):

3µs, 3µs

Output Type:

Transistor

Current - Output / Channel:

80mA

Current - DC Forward (If) (Max):

50 mA

Operating Temperature:

-40°C ~ 100°C

Package / Case:

4-SMD, Gull Wing

Base Product Number:

HMA121

## Environmental & Export classification

Moisture Sensitivity Level (MSL):

1 (Unlimited)

ECCN:

EAR99

REACH Status:

REACH Unaffected

HTSUS:

8541.49.8000

**FAIRCHILD**  
SEMICONDUCTOR®

# FULL PITCH MINI-FLAT PACKAGE 4-PIN OPTOCOUPLERS

## HMA121 Series

## HMA124

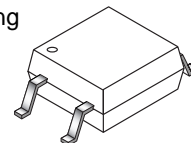
## HMA2701 Series

## HMAA2705

### DESCRIPTION

The HMA124, HMA121 series and HMA2701 series consists of a gallium arsenide infrared emitting diode driving a silicon phototransistor in a compact 4-pin mini-flat package. The lead pitch is 2.54 mm.

The HMAA2705 consists of two gallium arsenide infrared emitting diodes, connected in inverse parallel, driving a single silicon phototransistor in a compact 4-pin mini-flat package. The lead pitch is 2.54mm.



### FEATURES

- Compact 4-pin package (2.4 mm maximum standoff height)
- Current Transfer Ratio in selected groups
 

|                   |                    |
|-------------------|--------------------|
| HMA121: 50–600%   | HMA2701: 50–300%   |
| HMA121A: 100–300% | HMA2701A: 150–300% |
| HMA121B: 50–150%  | HMA2701B: 80–160%  |
| HMA121C: 100–200% | HMA124: 100% MIN   |
| HMA121D: 50–100%  | HMAA2705: 50–300%  |
| HMA121E: 150–300% |                    |
| HMA121F: 100–600% |                    |
- Available in tape and reel quantities of 500 and 2500.
- Applicable to Infrared Ray reflow (230°C max, 30 seconds.)
- BSI (File #8611/8612), CSA (File #1162301), UL (File #E90700) and VDE (File #136480) certified
- Creepage  $\geq$  5 mm, typical 5.2 mm
- Clearance  $\geq$  5 mm, typical 5.2 mm

### APPLICATIONS

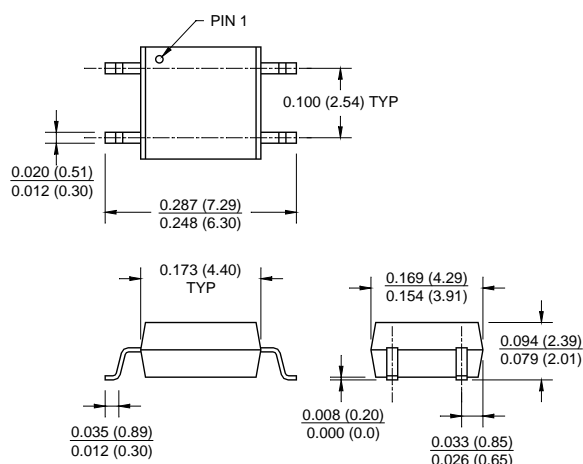
#### HMAA2705

- AC line monitor
- Unknown polarity DC sensor
- Telephone line receiver

#### HMA121 series, HMA2701 series, HMA124

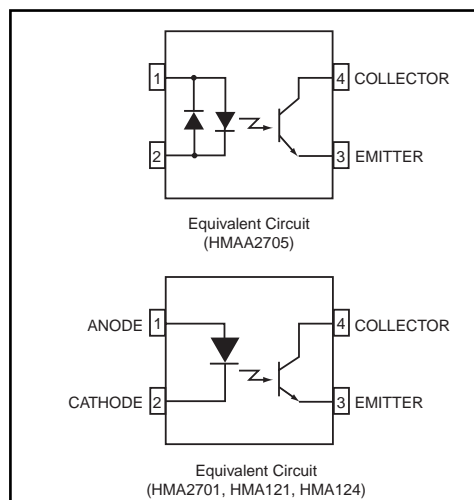
- Digital logic inputs
- Microprocessor inputs
- Power supply monitor
- Twisted pair line receiver
- Telephone line receiver

### PACKAGE DIMENSIONS



#### NOTE

All dimensions are in inches (millimeters)





## FULL PITCH MINI-FLAT PACKAGE 4-PIN OPTOCOUPLEDERS

**HMA121 Series****HMA124****HMA2701 Series****HMAA2705**
**ABSOLUTE MAXIMUM RATINGS** ( $T_A = 25^\circ\text{C}$  unless otherwise specified)

| Parameter  | Symbol      | Value                          | Units                |
|--|-------------|--------------------------------|----------------------|
| <b>TOTAL PACKAGE</b>                                   |             |                                |                      |
| Storage Temperature                                    | $T_{STG}$   | -40 to +125                    | $^\circ\text{C}$     |
| Operating Temperature                                  | $T_{OPR}$   | -40 to +100                    | $^\circ\text{C}$     |
| <b>EMITTER</b>   |             |                                |                      |
| Continuous Forward Current                             | $I_F$ (avg) | 50                             | mA                   |
| Peak Forward Current (1 $\mu\text{s}$ pulse, 300 pps.) | $I_F$ (pk)  | 1                              | A                    |
| Reverse Input Voltage (HMA)                            | $V_R$       | 6                              | V                    |
| Power Dissipation                                      | $P_D$       | 70                             | mW                   |
| Derate linearly (above $25^\circ\text{C}$ )            |             | 0.65                           | mW/ $^\circ\text{C}$ |
| <b>DETECTOR</b>  |             |                                |                      |
| Continuous Collector Current                           |             | 80                             | mA                   |
| Power Dissipation                                      | $P_D$       | 150                            | mW                   |
| Derate linearly (above $25^\circ\text{C}$ )            |             | 2.0                            | mW/ $^\circ\text{C}$ |
| Collector-Emitter Voltage                              | $V_{CEO}$   | HMA2701 Series, HMAA2705<br>40 | V                    |
|  |             | HMA121 Series, HMA124<br>80    |                      |
| Emitter-Collector Voltage                              | $V_{ECO}$   | 7                              | V                    |



# FULL PITCH MINI-FLAT PACKAGE 4-PIN OPTOCOUPLERS

**HMA121 Series****HMA124****HMA2701 Series****HMAA2705****ELECTRICAL CHARACTERISTICS** ( $T_A = 25^\circ\text{C}$ )**INDIVIDUAL COMPONENT CHARACTERISTICS**

| Parameter  | Test Conditions                             | Symbol     | Device         | Min | Typ** | Max | Unit          |
|--|---|------------|----------------|-----|-------|-----|---------------|
| <b>EMITTER</b><br>Forward Voltage                            | $(I_F = 10 \text{ mA})$                     | $V_F$      | HMA121 Series  | 1.0 |       | 1.3 | V             |
|  |   |            | HMA124         |     |       |     |               |
|  | $(I_F = 5 \text{ mA})$                      |            | HMA2701 Series |     |       | 1.4 |               |
|  |   |            | HMAA2705       |     |       |     |               |
| Reverse Current  | $(V_R = 5 \text{ V})$                       | $I_R$      | HMA2701 Series |     |       | 5   | $\mu\text{A}$ |
|  |   |            | HMA121 Series  |     |       |     |               |
|  |   |            | HMA124         |     |       |     |               |
| <b>DETECTOR</b><br>Breakdown Voltage<br>Collector to Emitter | $(I_C = 1 \text{ mA}, I_F = 0)$             | $BV_{CEO}$ | HMA121 Series  | 80  |       |     | V             |
|  |   |            | HMA124         |     |       |     |               |
|  |   |            | HMA2701 Series | 40  |       |     |               |
|  |   |            | HMAA2705       |     |       |     |               |
| Emitter to Collector   | $(I_E = 100 \mu\text{A}, I_F = 0)$          | $BV_{ECO}$ | All            | 7   |       |     |               |
| Collector Dark Current                                       | $(V_{CE} = 40 \text{ V}, I_F = 0)$          | $I_{CEO}$  | All            |     |       | 100 | nA            |
| Capacitance  | $(V_{CE} = 0 \text{ V}, f = 1 \text{ MHz})$ | $C_{CE}$   | All            |     | 10    |     | pF            |



# FULL PITCH MINI-FLAT PACKAGE 4-PIN OPTOCOUPLEDERS

**HMA121 Series****HMA124****HMA2701 Series****HMAA2705****TRANSFER CHARACTERISTICS** ( $T_A = 25^\circ\text{C}$ )

| Characteristic                                   | Test Conditions   | Symbol        | Device   | Min  | Typ** | Max | Unit          |
|--|---|---------------|----------|------|-------|-----|---------------|
| DC Current Transfer Ratio                        | $(I_F = \pm 5 \text{ mA}, V_{CE} = 5 \text{ V})$                    | CTR           | HMAA2705 | 50   |       | 300 | %             |
|  |   |               | HMA2701  | 50   |       | 300 |               |
|  | $(I_F = 5 \text{ mA}, V_{CE} = 5 \text{ V})$                        |               | HMA2701A | 150  |       | 300 |               |
|  |   |               | HMA2701B | 80   |       | 160 |               |
|  | $(I_F = 5 \text{ mA}, V_{CE} = 5 \text{ V})$                        |               | HMA121   | 50   |       | 600 |               |
|  |   |               | HMA121A  | 100  |       | 300 |               |
|  |   |               | HMA121B  | 50   |       | 150 |               |
|  |   |               | HMA121C  | 100  |       | 200 |               |
|  |   |               | HMA121D  | 50   |       | 100 |               |
|  |   |               | HMA121E  | 150  |       | 300 |               |
|  |   |               | HMA121F  | 100  |       | 600 |               |
| $(I_F = 1 \text{ mA}, V_{CE} = 0.4 \text{ V})$   | HMA121F   | 30            |          |      |       |     |               |
| $(I_F = 1 \text{ mA}, V_{CE} = 0.5 \text{ V})$   | HMA124  | 100           |          | 1200 |       |     |               |
| $(I_F = 0.5 \text{ mA}, V_{CE} = 1.5 \text{ V})$ | HMA124  | 50            |          | —    |       |     |               |
| CTR Symmetry                                     | $(I_F = \pm 5 \text{ mA}, V_{CE} = 5 \text{ V})$                    | —             | HMAA2705 | 0.3  |       | 3.0 |               |
| Saturation Voltage                               | $(I_F = \pm 10 \text{ mA}, I_C = 2 \text{ mA})$                     | $V_{CE(SAT)}$ | HMAA2705 |      |       | 0.3 | V             |
|  |   |               | HMA2701  |      |       | 0.3 |               |
|  | $(I_F = 10 \text{ mA}, I_C = 2 \text{ mA})$                         |               | HMA2701A |      |       | 0.3 |               |
|  |   |               | HMA2701B |      |       | 0.3 |               |
|  | $(I_F = 8 \text{ mA}, I_C = 2.4 \text{ mA})$                        |               | HMA121   |      |       | 0.4 |               |
|  |   |               | HMA121A  |      |       | 0.4 |               |
|  |   |               | HMA121B  |      |       | 0.4 |               |
|  |   |               | HMA121C  |      |       | 0.4 |               |
|  |   |               | HMA121D  |      |       | 0.4 |               |
|  |   |               | HMA121E  |      |       | 0.4 |               |
|  |   |               | HMA121F  |      |       | 0.4 |               |
| $(I_F = 1 \text{ mA}, I_C = 0.2 \text{ mA})$     | HMA121F   |               |          | 0.4  |       |     |               |
| $(I_F = 1 \text{ mA}, I_C = 0.5 \text{ mA})$     | HMA124  |               |          | 0.4  |       |     |               |
| Rise Time (Non-Saturated)                        | $(I_C = 2 \text{ mA}, V_{CE} = 5 \text{ V})$<br>$(R_L = 100\Omega)$ | $t_r$         |          |      | 3     |     | $\mu\text{s}$ |
| Fall Time (Non-Saturated)                        | $(I_C = 2 \text{ mA}, V_{CE} = 5 \text{ V})$<br>$(R_L = 100\Omega)$ | $t_f$         |          |      | 3     |     |               |

**ISOLATION CHARACTERISTICS**

| Characteristic                 | Test Conditions | Symbol    | Device | Min  | Typ** | Max | Unit |
|--------------------------------|-----------------|-----------|--------|------|-------|-----|------|
| Steady State Isolation Voltage | (1 Minute)      | $V_{ISO}$ | All    | 3750 |       |     | VRMS |

\*\* All typicals at  $T_A = 25^\circ\text{C}$



# FULL PITCH MINI-FLAT PACKAGE 4-PIN OPTOCOUPLERS

HMA121 Series

HMA124

HMA2701 Series

HMAA2705

## TYPICAL PERFORMANCE CURVES

Fig. 1 Forward Current vs. Forward Voltage

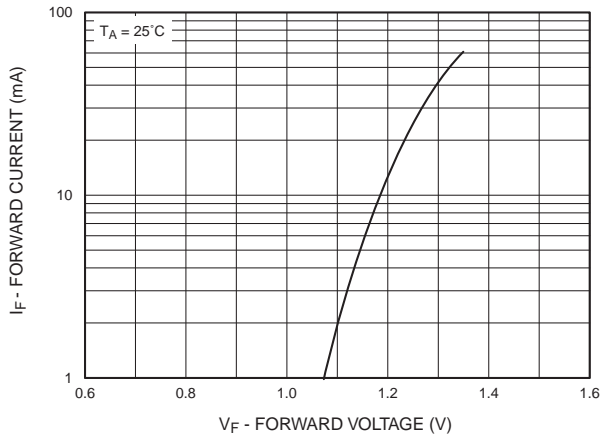


Fig. 2 Collector Current vs. Forward Current

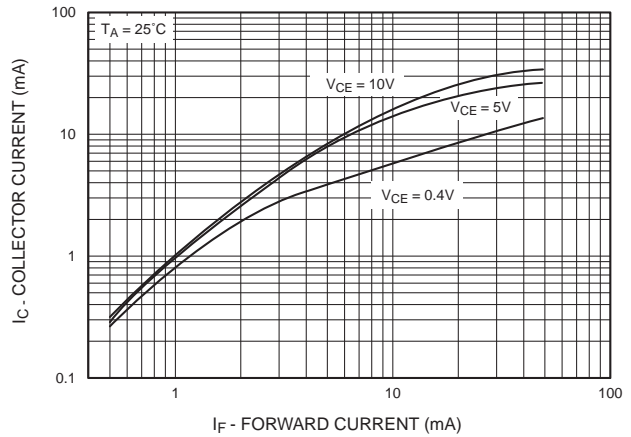


Fig. 3 Current Transfer Ratio vs. Forward Current

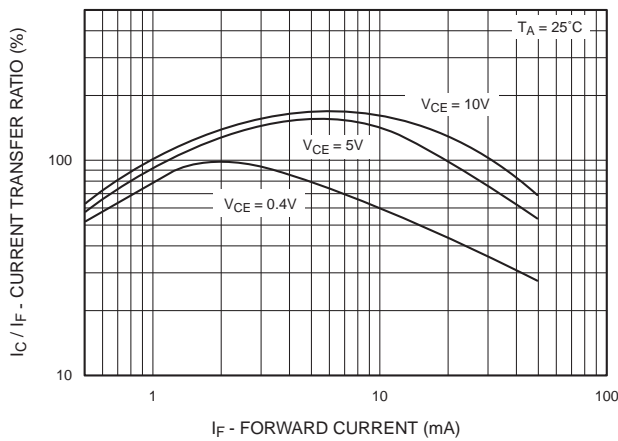


Fig. 4 Collector Current vs. Temperature

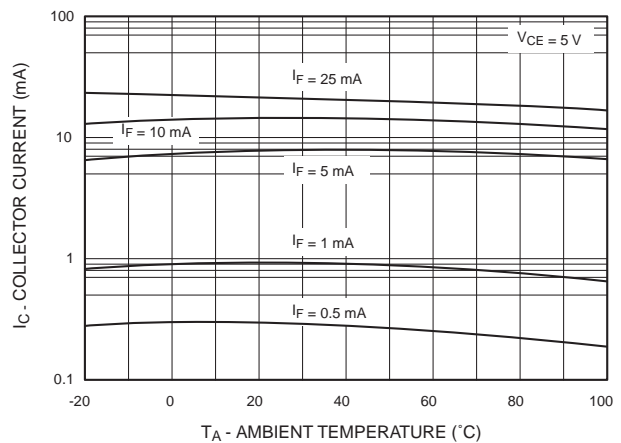
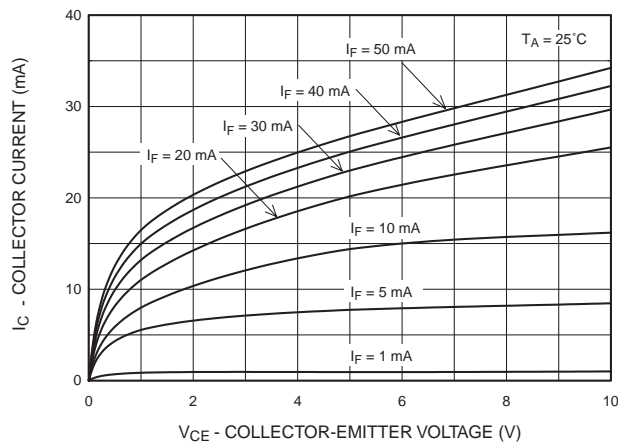


Fig. 5 Collector Current vs. Collector-Emitter Voltage





# FULL PITCH MINI-FLAT PACKAGE 4-PIN OPTOCOUPLERS

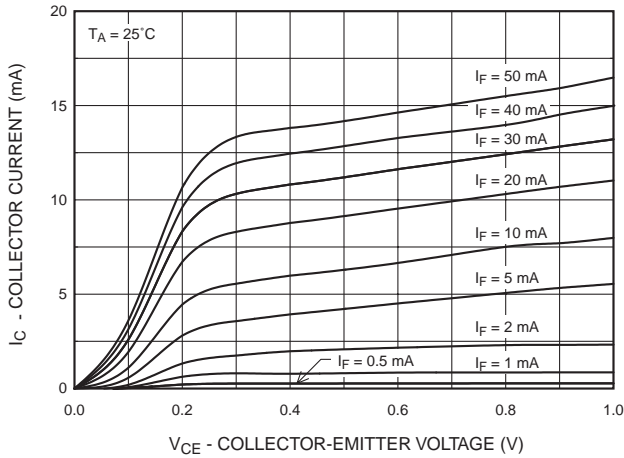
**HMA121 Series**

**HMA124**

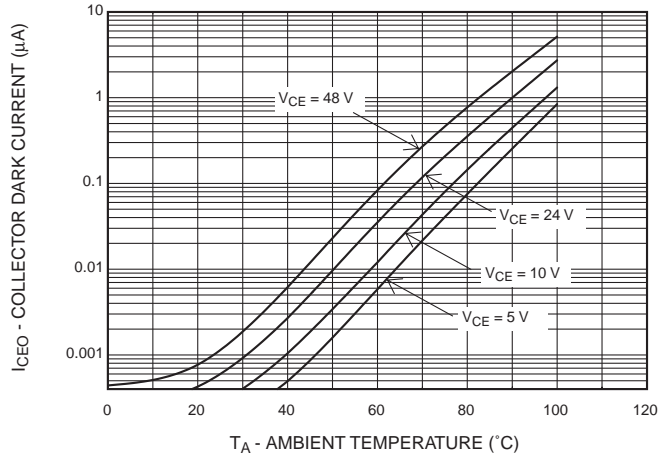
**HMA2701 Series**

**HMAA2705**

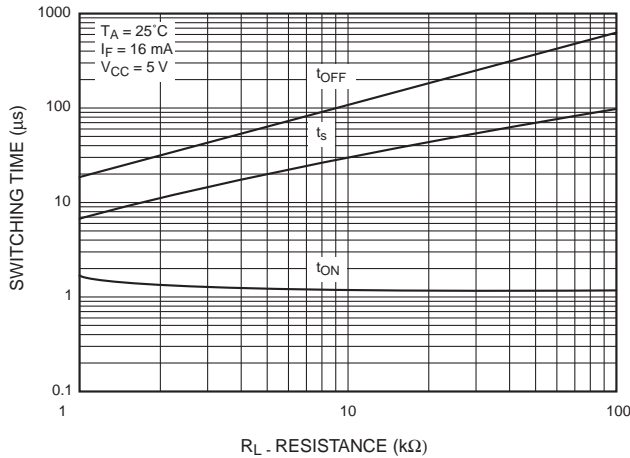
**Fig. 6 Collector Current vs. Collector-Emitter Voltage**



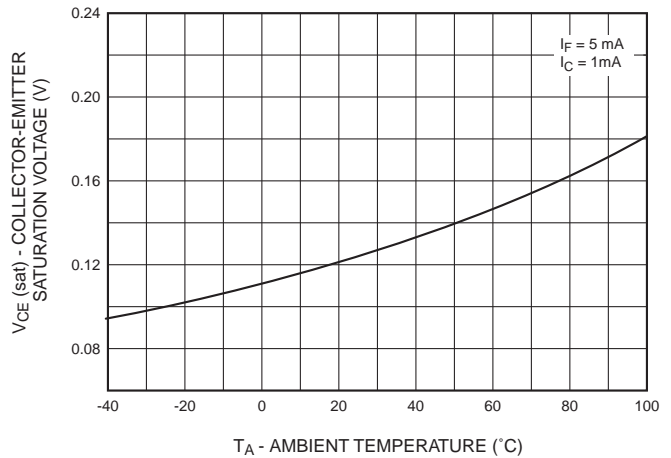
**Fig. 7 Collector Dark Current vs. Temperature**



**Fig. 8 Switching Time vs. Load Resistance**



**Fig. 9 Collector-Emitter Saturation Voltage vs. Temperature**





# FULL PITCH MINI-FLAT PACKAGE 4-PIN OPTOCOUPLERS

HMA121 Series

HMA124

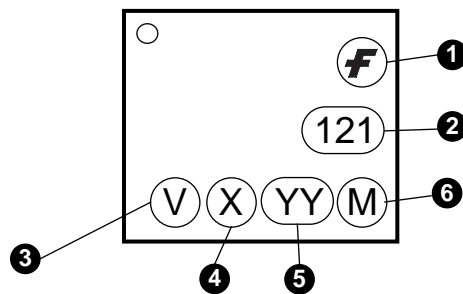
HMA2701 Series

HMAA2705

## ORDERING INFORMATION

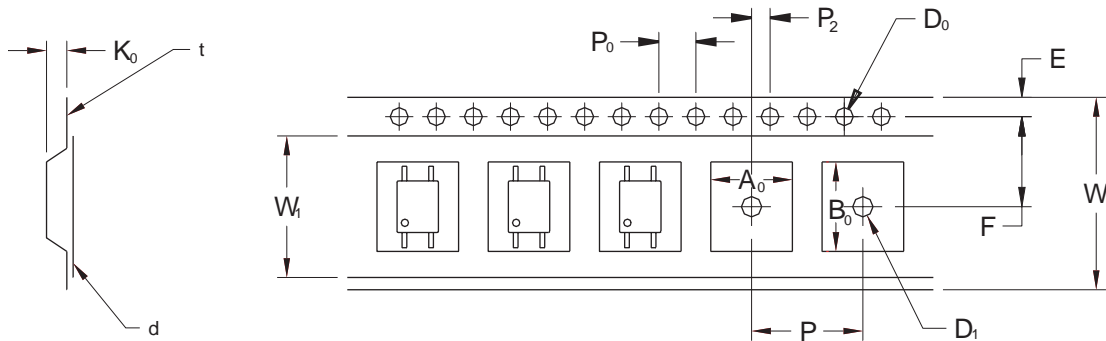
| Option | Description  |
|--------|--|
| V      | VDE Approved   |
| R1     | Tape and Reel (500 units)                                      |
| R2     | Tape and Reel (2500 units)                                     |
| R3     | Tape and Reel (500 units; unit 180° rotated)                   |
| R4     | Tape and Reel (2500 units; unit 180° rotated)                  |
| R1V    | Tape and Reel (500 units) and VDE Approved                     |
| R2V    | Tape and Reel (2500 units) and VDE Approved                    |
| R3V    | Tape and Reel (500 units; unit 180° rotated) and VDE Approved  |
| R4V    | Tape and Reel (2500 units; unit 180° rotated) and VDE Approved |

## MARKING INFORMATION



| Definitions |  |
|-------------|--|
| 1           | Fairchild logo   |
| 2           | Device number  |
| 3           | VDE mark (Note: Only appears on parts ordered with VDE option – See order entry table) |
| 4           | One digit year code  |
| 5           | Two digit work week ranging from '01' to '53'  |
| 6           | Assembly package code  |

# FULL PITCH MINI-FLAT PACKAGE 4-PIN OPTOCOUPLEDERS

**HMA121 Series****HMA124****HMA2701 Series****HMAA2705**

| Description                     |    | Symbol         | 2.54 Pitch      |
|---------------------------------|----|----------------|-----------------|
|                                 |    |                | Dimensions (mm) |
| Tape Width                      |    | W              | 12.00±0.4       |
| Tape Thickness                  |    | t              | 0.30±0.20       |
| Sprocket Hole Pitch             |    | P <sub>0</sub> | 4.00±0.20       |
| Sprocket Hole Dia.              |    | D <sub>0</sub> | 1.55±0.20       |
| Sprocket Hole Location          |    | E              | 1.75±0.20       |
| Pocket Location                 |    | F              | 5.50±0.20       |
|                                 |    | P <sub>2</sub> | 2.00±0.20       |
| Pocket Pitch                    |    | P              | 8.00±0.20       |
| Pocket Dimension                |    | A <sub>0</sub> | 4.40±0.20       |
|                                 |    | B <sub>0</sub> | 7.30±0.20       |
|                                 |    | K <sub>0</sub> | 2.30±0.20       |
| Pocket Hole Dia.                |    | D <sub>1</sub> | 1.55±0.20       |
| Cover Tape Width                |    | W <sub>1</sub> | 9.20            |
| Cover Tape Thickness            |    | d              | 0.065±0.02      |
| Max. Component Rotation or Tilt |    |                | 20° max         |
| Devices Per Reel                | R1 |                | 500             |
|                                 | R2 |                | 2500            |
| Reel Diameter                   | R1 |                | 178 mm (7")     |
|                                 | R2 |                | 330 mm (13")    |



# FULL PITCH MINI-FLAT PACKAGE 4-PIN OPTOCOUPPLERS

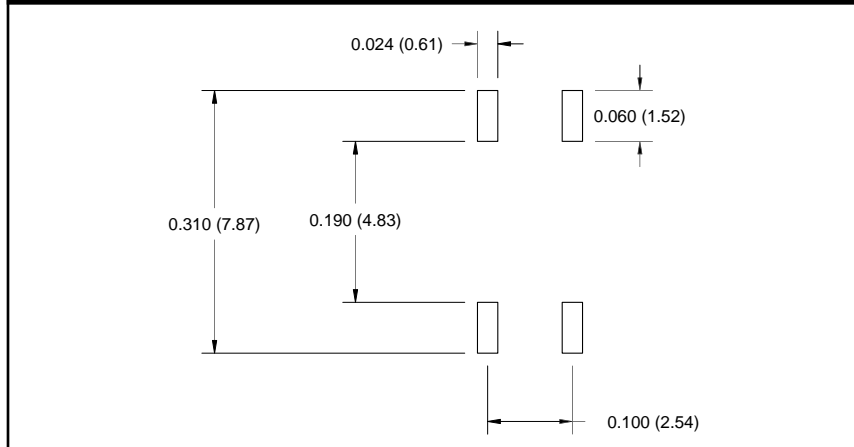
HMA121 Series

HMA124

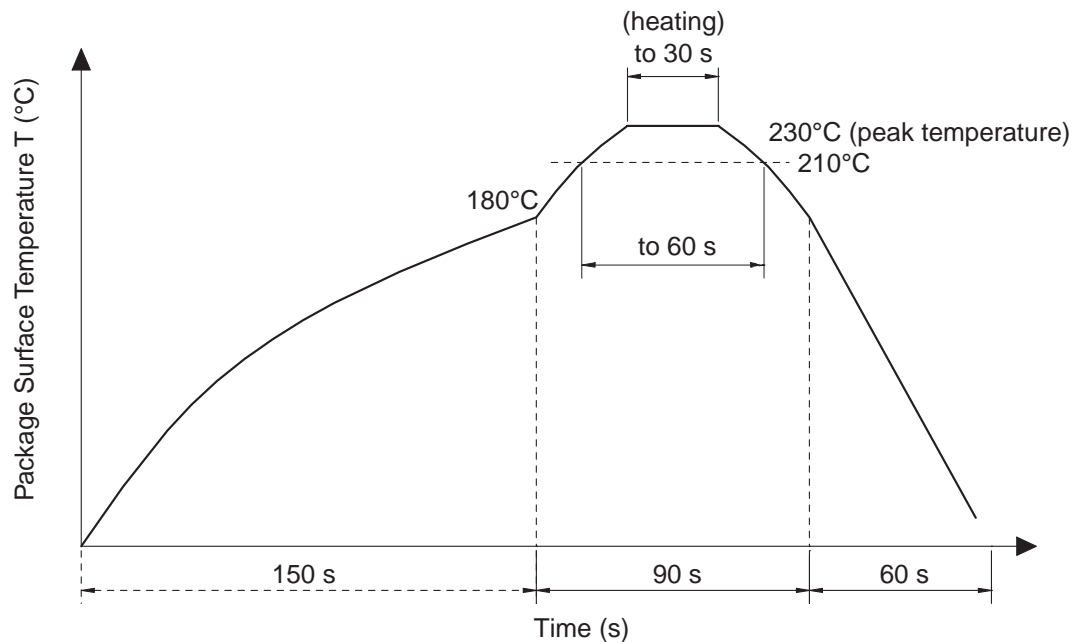
HMA2701 Series

HMAA2705

## Footprint Drawing for PCB Layout



## Recommended Infrared Reflow Soldering Profile



- Peak reflow temperature: 230°C (package surface temperature) for 30 seconds
- Time of temperature higher than 210°C: 60 seconds or less
- One time soldering reflow is recommended



## FULL PITCH MINI-FLAT PACKAGE 4-PIN OPTOCOUPLEDERS

---

**HMA121 Series****HMA124****HMA2701 Series****HMAA2705**

---

**DISCLAIMER**

FAIRCHILD SEMICONDUCTOR RESERVES THE RIGHT TO MAKE CHANGES WITHOUT FURTHER NOTICE TO ANY PRODUCTS HEREIN TO IMPROVE RELIABILITY, FUNCTION OR DESIGN. FAIRCHILD DOES NOT ASSUME ANY LIABILITY ARISING OUT OF THE APPLICATION OR USE OF ANY PRODUCT OR CIRCUIT DESCRIBED HEREIN; NEITHER DOES IT CONVEY ANY LICENSE UNDER ITS PATENT RIGHTS, NOR THE RIGHTS OF OTHERS.

**LIFE SUPPORT POLICY**

FAIRCHILD'S PRODUCTS ARE NOT AUTHORIZED FOR USE AS CRITICAL COMPONENTS IN LIFE SUPPORT DEVICES OR SYSTEMS WITHOUT THE EXPRESS WRITTEN APPROVAL OF THE PRESIDENT OF FAIRCHILD SEMICONDUCTOR CORPORATION. As used herein:

1. Life support devices or systems are devices or systems which, (a) are intended for surgical implant into the body, or (b) support or sustain life, and (c) whose failure to perform when properly used in accordance with instructions for use provided in the labeling, can be reasonably expected to result in a significant injury of the user.
2. A critical component in any component of a life support device or system whose failure to perform can be reasonably expected to cause the failure of the life support device or system, or to affect its safety or effectiveness.

## OUR CERTIFICATE

DiGi provide top-quality products and perfect service for customer worldwide through standardization, technological innovation and continuous improvement. DiGi through third-party certification, we stricly control the quality of products and services. Welcome your RFQ to

Email: [Info@DiGi-Electronics.com](mailto:Info@DiGi-Electronics.com)



Tel: +00 852-30501935

RFQ Email: [Info@DiGi-Electronics.com](mailto:Info@DiGi-Electronics.com)

DiGi is a global authorized distributor of electronic components.