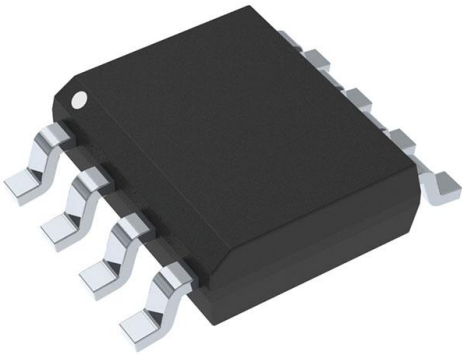


# MC100EL11DR2G Datasheet

[www.digi-electronics.com](http://www.digi-electronics.com)



<https://www.DiGi-Electronics.com>

|                              |   |
|------------------------------|---|
| DiGi Electronics Part Number | MC100EL11DR2G-DG  |
| Manufacturer                 | <a href="#">onsemi</a>  |
| Manufacturer Product Number  | MC100EL11DR2G   |
| Description                  | IC CLK BUFFER 1:2 1.5GHZ 8SOIC  |
| Detailed Description         | Clock Fanout Buffer (Distribution) IC 1:2 1.5 GHz 8-SOIC (0.154", 3.90mm Width) |



Tel: +00 852-30501935

RFQ Email: [Info@DiGi-Electronics.com](mailto:Info@DiGi-Electronics.com)

DiGi is a global authorized distributor of electronic components.

## Purchase and inquiry

Manufacturer Product Number:

MC100EL11DR2G

Series:

100EL

Type:

Fanout Buffer (Distribution)

Ratio - Input:Output:

1:2

Input:

ECL, PECL

Frequency - Max:

1.5 GHz

Operating Temperature:

-40°C ~ 85°C

Package / Case:

8-SOIC (0.154", 3.90mm Width)

Base Product Number:

MC100EL11

Manufacturer:

onsemi

Product Status:

Active

Number of Circuits:

1

Differential - Input:Output:

Yes/Yes

Output:

ECL, PECL

Voltage - Supply:

4.2V ~ 5.7V

Mounting Type:

Surface Mount

Supplier Device Package:

8-SOIC

## Environmental & Export classification

RoHS Status:

ROHS3 Compliant

REACH Status:

REACH Unaffected

HTSUS:

8542.39.0001

Moisture Sensitivity Level (MSL):

1 (Unlimited)

ECCN:

EAR99

# 5.0 V ECL 1:2 Differential Fanout Buffer

## MC10EL11, MC100EL11

The MC10EL/100EL11 is a differential 1:2 fanout buffer. The device is functionally similar to the E111 device but with higher performance capabilities. The within-device skew and propagation delay is significantly improved over the E111.

The differential inputs of the EL11 employ clamping circuitry to maintain stability under open input conditions. If the inputs are left open (pulled to  $V_{EE}$ ) the Q outputs will go LOW.

The 100 Series contains temperature compensation.

### Features

- 265 ps Propagation Delay
- 5 ps Skew Between Outputs
- PECL Mode Operating Range:  $V_{CC} = 4.2\text{ V}$  to  $5.7$  with  $V_{EE} = 0\text{ V}$
- NECL Mode Operating Range:  $V_{CC} = 0\text{ V}$  with  $V_{EE} = -4.2\text{ V}$  to  $-5.7\text{ V}$
- Internal Input Pulldown Resistors
- These Devices are Pb-Free, Halogen Free and are RoHS Compliant

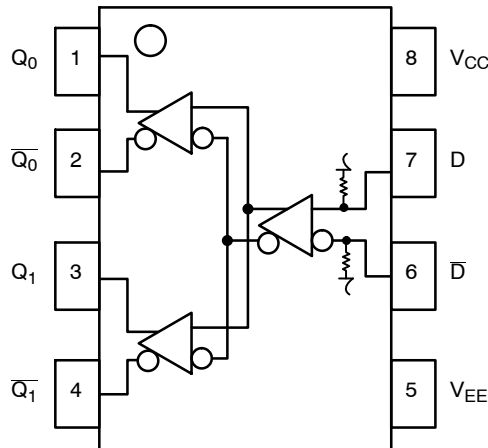
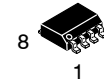


Figure 1. Logic Diagram and Pinout Assignment

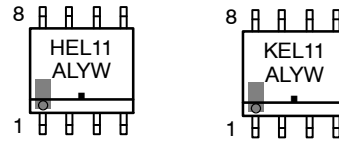
Table 1. PIN DESCRIPTION

| PIN                                       | FUNCTION         |
|---|------------------|
| D, $\bar{D}$                              | ECL Data Inputs  |
| $Q_0$ , $\bar{Q}_0$ ; $Q_1$ , $\bar{Q}_1$ | ECL Data Outputs |
| $V_{CC}$                                  | Positive Supply  |
| $V_{EE}$                                  | Negative Supply  |



SOIC-8  
D SUFFIX  
CASE 751-07

### MARKING DIAGRAM



H = MC10  
K = MC100  
A = Assembly Location

L = Wafer Lot  
Y = Year  
W = Work Week

■ = Pb-Free Package

(Note: Microdot may be in either location)

\*For additional marking information, refer to Application Note [AND8002/D](#).

### ORDERING INFORMATION

| Device        | Package          | Shipping <sup>†</sup> |
|---------------|------------------|-----------------------|
| MC10EL11DG    | SOIC-8 (Pb-Free) | 98 Units / Tube       |
| MC100EL11DG   | SOIC-8 (Pb-Free) | 98 Units / Tube       |
| MC100EL11DR2G | SOIC-8 (Pb-Free) | 2500 / Tape & Reel    |

### DISCONTINUED (Note 1)

|              |                  |                    |
|--------------|------------------|--------------------|
| MC10EL11DR2G | SOIC-8 (Pb-Free) | 2500 / Tape & Reel |
|--------------|------------------|--------------------|

<sup>†</sup>For information on tape and reel specifications, including part orientation and tape sizes, please refer to our Tape and Reel Packaging Specifications Brochure, [BRD8011/D](#).

1. **DISCONTINUED:** This device is not recommended for new design. Please contact your **onsemi** representative for information. The most current information on this device may be available on [www.onsemi.com](http://www.onsemi.com).

**MC10EL11, MC100EL11****Table 2. ATTRIBUTES**

| Characteristics   | Value                |
|---|----------------------|
| Internal Input Pulldown Resistor                              | 75 k $\Omega$        |
| Internal Input Pullup Resistor                                | N/A                  |
| ESD Protection<br>Human Body Model<br>Machine Model           | > 1 kV<br>> 100 V    |
| Moisture Sensitivity, Indefinite Time Out of Drypack (Note 1) | Pb-Free Pkg          |
| SOIC-8  | Level 1              |
| Flammability Rating<br>Oxygen Index: 28 to 34                 | UL 94 V-0 @ 0.125 in |
| Transistor Count  | 44                   |
| Meets or Exceeds JEDEC Spec EIA/JESD78 IC Latchup Test        |                      |

1. For additional information, see Application Note [AND8003/D](#).

**Table 3. MAXIMUM RATINGS**

| Symbol           | Parameter  | Condition 1                                    | Condition 2  | Rating      | Unit           |
|------------------|--|--|--|-------------|----------------|
| V <sub>CC</sub>  | PECL Mode Power Supply                             | V <sub>EE</sub> = 0 V                          |  | 8           | V              |
| V <sub>EE</sub>  | NECL Mode Power Supply                             | V <sub>CC</sub> = 0 V                          |  | -8          | V              |
| V <sub>I</sub>   | PECL Mode Input Voltage<br>NECL Mode Input Voltage | V <sub>EE</sub> = 0 V<br>V <sub>CC</sub> = 0 V | V <sub>I</sub> $\leq$ V <sub>CC</sub><br>V <sub>I</sub> $\geq$ V <sub>EE</sub> | 6<br>-6     | V              |
| I <sub>out</sub> | Output Current                                     | Continuous<br>Surge                            |  | 50<br>100   | mA             |
| T <sub>A</sub>   | Operating Temperature Range                        |  |  | -40 to +85  | $^{\circ}$ C   |
| T <sub>stg</sub> | Storage Temperature Range                          |  |  | -65 to +150 | $^{\circ}$ C   |
| $\theta_{JA}$    | Thermal Resistance (Junction-to-Ambient)           | 0 lfpm<br>500 lfpm                             | SOIC-8   | 190<br>130  | $^{\circ}$ C/W |
| $\theta_{JC}$    | Thermal Resistance (Junction-to-Case)              | Standard Board                                 | SOIC-8   | 41 to 44    | $^{\circ}$ C/W |
| T <sub>sol</sub> | Wave Solder (Pb-Free)                              | <2 to 3 sec @ 260 $^{\circ}$ C                 |  | 265         | $^{\circ}$ C   |

Stresses exceeding those listed in the Maximum Ratings table may damage the device. If any of these limits are exceeded, device functionality should not be assumed, damage may occur and reliability may be affected.

1. JEDEC standard multilayer board – 2S2P (2 signal, 2 power)

**MC10EL11, MC100EL11****Table 4. 10EL SERIES PECL DC CHARACTERISTICS** ( $V_{CC} = 5.0\text{ V}$ ;  $V_{EE} = 0.0\text{ V}$  (Note 1))

| Symbol      | Characteristic   | -40°C |      |      | 25°C |      |      | 85°C |      |      | Unit          |
|-------------|--|-------|------|------|------|------|------|------|------|------|---------------|
|             |  | Min   | Typ  | Max  | Min  | Typ  | Max  | Min  | Typ  | Max  |               |
| $I_{EE}$    | Power Supply Current   |       | 26   | 31   |      | 26   | 31   |      | 26   | 31   | mA            |
| $V_{OH}$    | Output HIGH Voltage (Note 2)                                 | 3920  | 4010 | 4110 | 4020 | 4105 | 4190 | 4090 | 4185 | 4280 | mV            |
| $V_{OL}$    | Output LOW Voltage (Note 2)                                  | 3050  | 3200 | 3350 | 3050 | 3210 | 3370 | 3050 | 3227 | 3405 | mV            |
| $V_{IH}$    | Input HIGH Voltage (Single-Ended)                            | 3770  |      | 4110 | 3870 |      | 4190 | 3940 |      | 4280 | mV            |
| $V_{IL}$    | Input LOW Voltage (Single-Ended)                             | 3050  |      | 3500 | 3050 |      | 3520 | 3050 |      | 3555 | mV            |
| $V_{IHCMR}$ | Input HIGH Voltage Common Mode Range (Differential) (Note 3) | 2.5   |      | 4.6  | 2.5  |      | 4.6  | 2.5  |      | 4.6  | V             |
| $I_{IH}$    | Input HIGH Current   |       |      | 150  |      |      | 150  |      |      | 150  | $\mu\text{A}$ |
| $I_{IL}$    | Input LOW Current  | 0.5   |      |      | 0.5  |      |      | 0.3  |      |      | $\mu\text{A}$ |

NOTE: Device will meet the specifications after thermal equilibrium has been established when mounted in a test socket or printed circuit board with maintained transverse airflow greater than 500 lfm.

1. Input and output parameters vary 1:1 with  $V_{CC}$ .  $V_{EE}$  can vary +0.25 V / -0.5 V.
2. Outputs are terminated through a 50  $\Omega$  resistor to  $V_{CC} - 2.0\text{ V}$ .
3.  $V_{IHCMR}$  min varies 1:1 with  $V_{EE}$ .  $V_{IHCMR}$  max varies 1:1 with  $V_{CC}$ . The  $V_{IHCMR}$  range is referenced to the most positive side of the differential input signal. Normal operation is obtained if the HIGH level falls within the specified range and the peak-to-peak voltage lies between  $V_{ppmin}$  and 1 V.

**Table 5. 10EL SERIES NECL DC CHARACTERISTICS** ( $V_{CC} = 0.0\text{ V}$ ;  $V_{EE} = -5.0\text{ V}$  (Note 1))

| Symbol      | Characteristic   | -40°C |       |       | 25°C  |       |       | 85°C  |       |       | Unit          |
|-------------|--|-------|-------|-------|-------|-------|-------|-------|-------|-------|---------------|
|             |  | Min   | Typ   | Max   | Min   | Typ   | Max   | Min   | Typ   | Max   |               |
| $I_{EE}$    | Power Supply Current   |       | 26    | 31    |       | 26    | 31    |       | 26    | 31    | mA            |
| $V_{OH}$    | Output HIGH Voltage (Note 2)                                 | -1080 | -990  | -890  | -980  | -895  | -810  | -910  | -815  | -720  | mV            |
| $V_{OL}$    | Output LOW Voltage (Note 2)                                  | -1950 | -1800 | -1650 | -1950 | -1790 | -1630 | -1950 | -1773 | -1595 | mV            |
| $V_{IH}$    | Input HIGH Voltage (Single-Ended)                            | -1230 |       | -890  | -1130 |       | -810  | -1060 |       | -720  | mV            |
| $V_{IL}$    | Input LOW Voltage (Single-Ended)                             | -1950 |       | -1500 | -1950 |       | -1480 | -1950 |       | -1445 | mV            |
| $V_{IHCMR}$ | Input HIGH Voltage Common Mode Range (Differential) (Note 3) | -2.5  |       | -0.4  | -2.5  |       | -0.4  | -2.5  |       | -0.4  | V             |
| $I_{IH}$    | Input HIGH Current   |       |       | 150   |       |       | 150   |       |       | 150   | $\mu\text{A}$ |
| $I_{IL}$    | Input LOW Current  | 0.5   |       |       | 0.5   |       |       | 0.3   |       |       | $\mu\text{A}$ |

NOTE: Device will meet the specifications after thermal equilibrium has been established when mounted in a test socket or printed circuit board with maintained transverse airflow greater than 500 lfm.

1. Input and output parameters vary 1:1 with  $V_{CC}$ .  $V_{EE}$  can vary +0.25 V / -0.5 V.
2. Outputs are terminated through a 50  $\Omega$  resistor to  $V_{CC} - 2.0\text{ V}$ .
3.  $V_{IHCMR}$  min varies 1:1 with  $V_{EE}$ .  $V_{IHCMR}$  max varies 1:1 with  $V_{CC}$ . The  $V_{IHCMR}$  range is referenced to the most positive side of the differential input signal. Normal operation is obtained if the HIGH level falls within the specified range and the peak-to-peak voltage lies between  $V_{ppmin}$  and 1 V.

**MC10EL11, MC100EL11****Table 6. 100EL SERIES PECL DC CHARACTERISTICS** ( $V_{CC} = 5.0\text{ V}$ ;  $V_{EE} = 0.0\text{ V}$  (Note 1))

| Symbol      | Characteristic   | -40°C |      |      | 25°C |      |      | 85°C |      |      | Unit          |
|-------------|--|-------|------|------|------|------|------|------|------|------|---------------|
|             |  | Min   | Typ  | Max  | Min  | Typ  | Max  | Min  | Typ  | Max  |               |
| $I_{EE}$    | Power Supply Current   |       | 26   | 31   |      | 26   | 31   |      | 30   | 36   | mA            |
| $V_{OH}$    | Output HIGH Voltage (Note 2)                                 | 3915  | 3995 | 4120 | 3975 | 4045 | 4120 | 3975 | 4050 | 4120 | mV            |
| $V_{OL}$    | Output LOW Voltage (Note 2)                                  | 3170  | 3305 | 3445 | 3190 | 3295 | 3380 | 3190 | 3295 | 3380 | mV            |
| $V_{IH}$    | Input HIGH Voltage (Single-Ended)                            | 3835  |      | 4120 | 3835 |      | 4120 | 3835 |      | 4120 | mV            |
| $V_{IL}$    | Input LOW Voltage (Single-Ended)                             | 3190  |      | 3525 | 3190 |      | 3525 | 3190 |      | 3525 | mV            |
| $V_{IHCMR}$ | Input HIGH Voltage Common Mode Range (Differential) (Note 3) | 2.5   |      | 4.6  | 2.5  |      | 4.6  | 2.5  |      | 4.6  | V             |
| $I_{IH}$    | Input HIGH Current   |       |      | 150  |      |      | 150  |      |      | 150  | $\mu\text{A}$ |
| $I_{IL}$    | Input LOW Current  | 0.5   |      |      | 0.5  |      |      | 0.5  |      |      | $\mu\text{A}$ |

NOTE: Device will meet the specifications after thermal equilibrium has been established when mounted in a test socket or printed circuit board with maintained transverse airflow greater than 500 lfpm.

1. Input and output parameters vary 1:1 with  $V_{CC}$ .  $V_{EE}$  can vary +0.8 V / -0.5 V.
2. Outputs are terminated through a 50  $\Omega$  resistor to  $V_{CC} - 2.0\text{ V}$ .
3.  $V_{IHCMR}$  min varies 1:1 with  $V_{EE}$ .  $V_{IHCMR}$  max varies 1:1 with  $V_{CC}$ . The  $V_{IHCMR}$  range is referenced to the most positive side of the differential input signal. Normal operation is obtained if the HIGH level falls within the specified range and the peak-to-peak voltage lies between  $V_{PPmin}$  and 1 V.

**Table 7. 100EL SERIES NECL DC CHARACTERISTICS** ( $V_{CC} = 0.0\text{ V}$ ;  $V_{EE} = -5.0\text{ V}$  (Note 1))

| Symbol      | Characteristic   | -40°C |       |       | 25°C  |       |       | 85°C  |       |       | Unit          |
|-------------|--|-------|-------|-------|-------|-------|-------|-------|-------|-------|---------------|
|             |  | Min   | Typ   | Max   | Min   | Typ   | Max   | Min   | Typ   | Max   |               |
| $I_{EE}$    | Power Supply Current   |       | 26    | 31    |       | 26    | 31    |       | 30    | 36    | mA            |
| $V_{OH}$    | Output HIGH Voltage (Note 2)                                 | -1085 | -1005 | -880  | -1025 | -955  | -880  | -1025 | -955  | -880  | mV            |
| $V_{OL}$    | Output LOW Voltage (Note 2)                                  | -1830 | -1695 | -1555 | -1810 | -1705 | -1620 | -1810 | -1705 | -1620 | mV            |
| $V_{IH}$    | Input HIGH Voltage (Single-Ended)                            | -1165 |       | -880  | -1165 |       | -880  | -1165 |       | -880  | mV            |
| $V_{IL}$    | Input LOW Voltage (Single-Ended)                             | -1810 |       | -1475 | -1810 |       | -1475 | -1810 |       | -1475 | mV            |
| $V_{IHCMR}$ | Input HIGH Voltage Common Mode Range (Differential) (Note 3) | -2.5  |       | -0.4  | -2.5  |       | -0.4  | -2.5  |       | -0.4  | V             |
| $I_{IH}$    | Input HIGH Current   |       |       | 150   |       |       | 150   |       |       | 150   | $\mu\text{A}$ |
| $I_{IL}$    | Input LOW Current  | 0.5   |       |       | 0.5   |       |       | 0.5   |       |       | $\mu\text{A}$ |

NOTE: Device will meet the specifications after thermal equilibrium has been established when mounted in a test socket or printed circuit board with maintained transverse airflow greater than 500 lfpm.

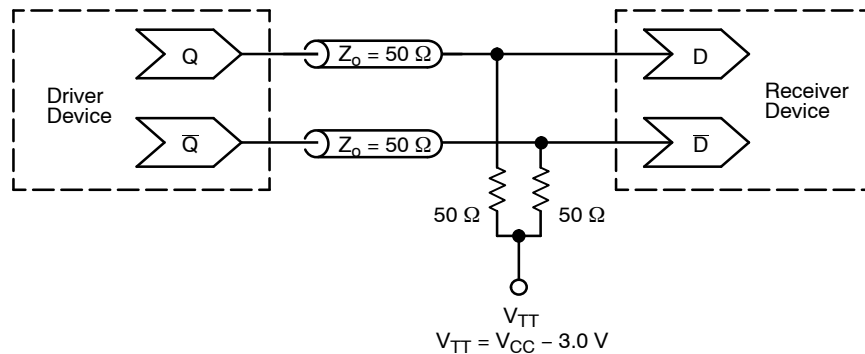
1. Input and output parameters vary 1:1 with  $V_{CC}$ .  $V_{EE}$  can vary +0.8 V / -0.5 V.
2. Outputs are terminated through a 50  $\Omega$  resistor to  $V_{CC} - 2.0\text{ V}$ .
3.  $V_{IHCMR}$  min varies 1:1 with  $V_{EE}$ .  $V_{IHCMR}$  max varies 1:1 with  $V_{CC}$ . The  $V_{IHCMR}$  range is referenced to the most positive side of the differential input signal. Normal operation is obtained if the HIGH level falls within the specified range and the peak-to-peak voltage lies between  $V_{PPmin}$  and 1 V.

**MC10EL11, MC100EL11****Table 8. AC CHARACTERISTICS** ( $V_{CC} = 5.0\text{ V}$ ;  $V_{EE} = 0.0\text{ V}$  or  $V_{CC} = 0.0\text{ V}$ ;  $V_{EE} = -5.0\text{ V}$  (Note 1))

| Symbol                               | Characteristic  | -40°C |     |      | 25°C |     |      | 85°C |      |      | Unit |
|--------------------------------------|---|-------|-----|------|------|-----|------|------|------|------|------|
|                                      |   | Min   | Typ | Max  | Min  | Typ | Max  | Min  | Typ  | Max  |      |
| f <sub>max</sub>                     | Maximum Toggle Frequency                                |       |     |      |      | 1.5 |      |      |      |      | GHz  |
| t <sub>PLH</sub><br>t <sub>PHL</sub> | Propagation Delay to Output                             | 135   | 260 | 385  | 190  | 265 | 340  | 215  | 29*0 | 365  | ps   |
| t <sub>SKEW</sub>                    | Within-Device Skew (Note 2)<br>Duty Cycle Skew (Note 3) |       | 5   |      |      | 5   | 20   |      | 5    | 20   | ps   |
| t <sub>JITTER</sub>                  | Random Clock Jitter (RMS)                               |       |     |      |      | 0.6 |      |      |      |      | ps   |
| V <sub>PP</sub>                      | Input Swing (Note 4)                                    | 150   |     | 1000 | 150  |     | 1000 | 150  |      | 1000 | mV   |
| t <sub>r</sub><br>t <sub>f</sub>     | Output Rise/Fall Times Q<br>(20% – 80%)                 | 100   | 225 | 350  | 100  | 225 | 350  | 100  | 225  | 350  | ps   |

NOTE: Device will meet the specifications after thermal equilibrium has been established when mounted in a test socket or printed circuit board with maintained transverse airflow greater than 500 lpm.

- 10 Series:  $V_{EE}$  can vary +0.25 V / -0.5 V.  
100 Series:  $V_{EE}$  can vary +0.8 V / -0.5 V.
- Within-device skew defined as identical transitions on similar paths through a device.
- Duty cycle skew is the difference between a t<sub>PLH</sub> and t<sub>PHL</sub> propagation delay through a device.
- V<sub>PP</sub>(min) is minimum input swing for which AC parameters guaranteed. The device has a DC gain of ≈ 40.



**Figure 2. Typical Termination for Output Driver and Device Evaluation**  
(See Application Note [AND8020/D](#) – Termination of ECL Logic Devices.)

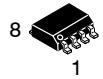
#### Resource Reference of Application Notes

- AN1405/D** – ECL Clock Distribution Techniques
- AN1406/D** – Designing with PECL (ECL at +5.0 V)
- AN1503/D** – ECLinPS™ I/O SPiCE Modeling Kit
- AN1504/D** – Metastability and the ECLinPS Family
- AN1568/D** – Interfacing Between LVDS and ECL
- AN1672/D** – The ECL Translator Guide
- AND8001/D** – Odd Number Counters Design
- AND8002/D** – Marking and Date Codes
- AND8020/D** – Termination of ECL Logic Devices
- AND8066/D** – Interfacing with ECLinPS
- AND8090/D** – AC Characteristics of ECL Devices

ECLinPS is registered trademark of Semiconductor Components Industries, LLC dba “onsemi” or its affiliates and/or subsidiaries in the United States and/or other countries.



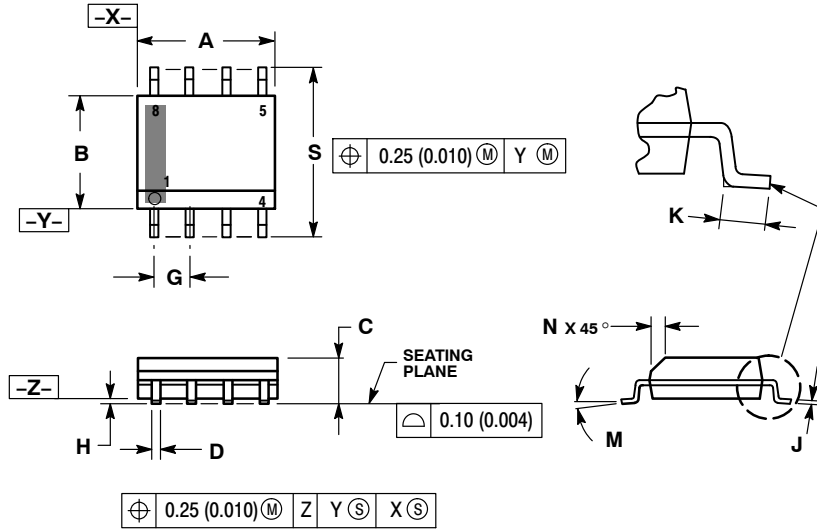
**MECHANICAL CASE OUTLINE  
PACKAGE DIMENSIONS**



SCALE 1:1

**SOIC-8 NB  
CASE 751-07  
ISSUE AK**

DATE 16 FEB 2011



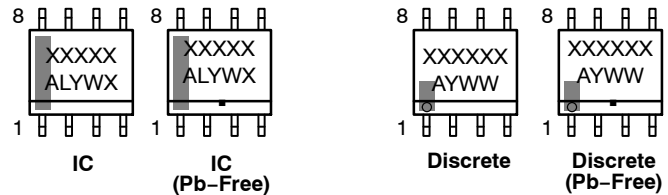
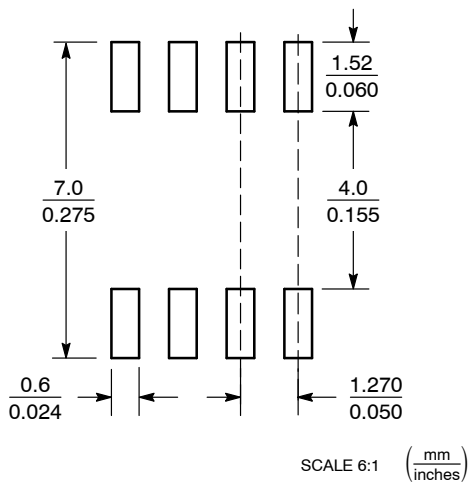
**NOTES:**

1. DIMENSIONING AND TOLERANCING PER ANSI Y14.5M, 1982.
2. CONTROLLING DIMENSION: MILLIMETER.
3. DIMENSION A AND B DO NOT INCLUDE MOLD PROTRUSION.
4. MAXIMUM MOLD PROTRUSION 0.15 (0.006) PER SIDE.
5. DIMENSION D DOES NOT INCLUDE DAMBAR PROTRUSION. ALLOWABLE DAMBAR PROTRUSION SHALL BE 0.127 (0.005) TOTAL IN EXCESS OF THE D DIMENSION AT MAXIMUM MATERIAL CONDITION.
6. 751-01 THRU 751-06 ARE OBSOLETE. NEW STANDARD IS 751-07.

| DIM | MILLIMETERS |      | INCHES    |       |
|-----|-------------|------|-----------|-------|
|     | MIN         | MAX  | MIN       | MAX   |
| A   | 4.80        | 5.00 | 0.189     | 0.197 |
| B   | 3.80        | 4.00 | 0.150     | 0.157 |
| C   | 1.35        | 1.75 | 0.053     | 0.069 |
| D   | 0.33        | 0.51 | 0.013     | 0.020 |
| G   | 1.27 BSC    |      | 0.050 BSC |       |
| H   | 0.10        | 0.25 | 0.004     | 0.010 |
| J   | 0.19        | 0.25 | 0.007     | 0.010 |
| K   | 0.40        | 1.27 | 0.016     | 0.050 |
| M   | 0°          | 8°   | 0°        | 8°    |
| N   | 0.25        | 0.50 | 0.010     | 0.020 |
| S   | 5.80        | 6.20 | 0.228     | 0.244 |

**GENERIC MARKING DIAGRAM\***

**SOLDERING FOOTPRINT\***



XXXXXX = Specific Device Code  
 A = Assembly Location  
 L = Wafer Lot  
 Y = Year  
 W = Work Week  
 ■ = Pb-Free Package

XXXXXX = Specific Device Code  
 A = Assembly Location  
 Y = Year  
 WW = Work Week  
 ■ = Pb-Free Package

\*This information is generic. Please refer to device data sheet for actual part marking. Pb-Free indicator, "G" or microdot "•", may or may not be present. Some products may not follow the Generic Marking.

\*For additional information on our Pb-Free strategy and soldering details, please download the onsemi Soldering and Mounting Techniques Reference Manual, SOLDERRM/D.

**STYLES ON PAGE 2**

|                         |                    |  |
|-------------------------|--------------------|--|
| <b>DOCUMENT NUMBER:</b> | <b>98ASB42564B</b> | Electronic versions are uncontrolled except when accessed directly from the Document Repository. Printed versions are uncontrolled except when stamped "CONTROLLED COPY" in red. |
| <b>DESCRIPTION:</b>     | <b>SOIC-8 NB</b>   | <b>PAGE 1 OF 2</b>   |

onsemi and onsemi are trademarks of Semiconductor Components Industries, LLC dba onsemi or its subsidiaries in the United States and/or other countries. onsemi reserves the right to make changes without further notice to any products herein. onsemi makes no warranty, representation or guarantee regarding the suitability of its products for any particular purpose, nor does onsemi assume any liability arising out of the application or use of any product or circuit, and specifically disclaims any and all liability, including without limitation special, consequential or incidental damages. onsemi does not convey any license under its patent rights nor the rights of others.



**SOIC-8 NB**  
**CASE 751-07**  
**ISSUE AK**

DATE 16 FEB 2011

- STYLE 1:  
 PIN 1. EMITTER  
 2. COLLECTOR  
 3. COLLECTOR  
 4. EMITTER  
 5. EMITTER  
 6. BASE  
 7. BASE  
 8. EMITTER
- STYLE 2:  
 PIN 1. COLLECTOR, DIE, #1  
 2. COLLECTOR, #1  
 3. COLLECTOR, #2  
 4. COLLECTOR, #2  
 5. BASE, #2  
 6. EMITTER, #2  
 7. BASE, #1  
 8. EMITTER, #1
- STYLE 3:  
 PIN 1. DRAIN, DIE #1  
 2. DRAIN, #1  
 3. DRAIN, #2  
 4. DRAIN, #2  
 5. GATE, #2  
 6. SOURCE, #2  
 7. GATE, #1  
 8. SOURCE, #1
- STYLE 4:  
 PIN 1. ANODE  
 2. ANODE  
 3. ANODE  
 4. ANODE  
 5. ANODE  
 6. ANODE  
 7. ANODE  
 8. COMMON CATHODE
- STYLE 5:  
 PIN 1. DRAIN  
 2. DRAIN  
 3. DRAIN  
 4. DRAIN  
 5. GATE  
 6. GATE  
 7. SOURCE  
 8. SOURCE
- STYLE 6:  
 PIN 1. SOURCE  
 2. DRAIN  
 3. DRAIN  
 4. SOURCE  
 5. SOURCE  
 6. GATE  
 7. GATE  
 8. SOURCE
- STYLE 7:  
 PIN 1. INPUT  
 2. EXTERNAL BYPASS  
 3. THIRD STAGE SOURCE  
 4. GROUND  
 5. DRAIN  
 6. GATE 3  
 7. SECOND STAGE Vd  
 8. FIRST STAGE Vd
- STYLE 8:  
 PIN 1. COLLECTOR, DIE #1  
 2. BASE, #1  
 3. BASE, #2  
 4. COLLECTOR, #2  
 5. COLLECTOR, #2  
 6. EMITTER, #2  
 7. EMITTER, #1  
 8. COLLECTOR, #1
- STYLE 9:  
 PIN 1. EMITTER, COMMON  
 2. COLLECTOR, DIE #1  
 3. COLLECTOR, DIE #2  
 4. EMITTER, COMMON  
 5. EMITTER, COMMON  
 6. BASE, DIE #2  
 7. BASE, DIE #1  
 8. EMITTER, COMMON
- STYLE 10:  
 PIN 1. GROUND  
 2. BIAS 1  
 3. OUTPUT  
 4. GROUND  
 5. GROUND  
 6. BIAS 2  
 7. INPUT  
 8. GROUND
- STYLE 11:  
 PIN 1. SOURCE 1  
 2. GATE 1  
 3. SOURCE 2  
 4. GATE 2  
 5. DRAIN 2  
 6. DRAIN 2  
 7. DRAIN 1  
 8. DRAIN 1
- STYLE 12:  
 PIN 1. SOURCE  
 2. SOURCE  
 3. SOURCE  
 4. GATE  
 5. DRAIN  
 6. DRAIN  
 7. DRAIN  
 8. DRAIN
- STYLE 13:  
 PIN 1. N.C.  
 2. SOURCE  
 3. SOURCE  
 4. GATE  
 5. DRAIN  
 6. DRAIN  
 7. DRAIN  
 8. DRAIN
- STYLE 14:  
 PIN 1. N-SOURCE  
 2. N-GATE  
 3. P-SOURCE  
 4. P-GATE  
 5. P-DRAIN  
 6. P-DRAIN  
 7. N-DRAIN  
 8. N-DRAIN
- STYLE 15:  
 PIN 1. ANODE 1  
 2. ANODE 1  
 3. ANODE 1  
 4. ANODE 1  
 5. CATHODE, COMMON  
 6. CATHODE, COMMON  
 7. CATHODE, COMMON  
 8. CATHODE, COMMON
- STYLE 16:  
 PIN 1. EMITTER, DIE #1  
 2. BASE, DIE #1  
 3. EMITTER, DIE #2  
 4. BASE, DIE #2  
 5. COLLECTOR, DIE #2  
 6. COLLECTOR, DIE #2  
 7. COLLECTOR, DIE #1  
 8. COLLECTOR, DIE #1
- STYLE 17:  
 PIN 1. VCC  
 2. V2OUT  
 3. V1OUT  
 4. TXE  
 5. RXE  
 6. VEE  
 7. GND  
 8. ACC
- STYLE 18:  
 PIN 1. ANODE  
 2. ANODE  
 3. SOURCE  
 4. GATE  
 5. DRAIN  
 6. DRAIN  
 7. CATHODE  
 8. CATHODE
- STYLE 19:  
 PIN 1. SOURCE 1  
 2. GATE 1  
 3. SOURCE 2  
 4. GATE 2  
 5. DRAIN 2  
 6. MIRROR 2  
 7. DRAIN 1  
 8. MIRROR 1
- STYLE 20:  
 PIN 1. SOURCE (N)  
 2. GATE (N)  
 3. SOURCE (P)  
 4. GATE (P)  
 5. DRAIN  
 6. DRAIN  
 7. DRAIN  
 8. DRAIN
- STYLE 21:  
 PIN 1. CATHODE 1  
 2. CATHODE 2  
 3. CATHODE 3  
 4. CATHODE 4  
 5. CATHODE 5  
 6. COMMON ANODE  
 7. COMMON ANODE  
 8. CATHODE 6
- STYLE 22:  
 PIN 1. I/O LINE 1  
 2. COMMON CATHODE/VCC  
 3. COMMON CATHODE/VCC  
 4. I/O LINE 3  
 5. COMMON ANODE/GND  
 6. I/O LINE 4  
 7. I/O LINE 5  
 8. COMMON ANODE/GND
- STYLE 23:  
 PIN 1. LINE 1 IN  
 2. COMMON ANODE/GND  
 3. COMMON ANODE/GND  
 4. LINE 2 IN  
 5. LINE 2 OUT  
 6. COMMON ANODE/GND  
 7. COMMON ANODE/GND  
 8. LINE 1 OUT
- STYLE 24:  
 PIN 1. BASE  
 2. EMITTER  
 3. COLLECTOR/ANODE  
 4. COLLECTOR/ANODE  
 5. CATHODE  
 6. CATHODE  
 7. COLLECTOR/ANODE  
 8. COLLECTOR/ANODE
- STYLE 25:  
 PIN 1. VIN  
 2. N/C  
 3. REXT  
 4. GND  
 5. IOUT  
 6. IOUT  
 7. IOUT  
 8. IOUT
- STYLE 26:  
 PIN 1. GND  
 2. dv/dt  
 3. ENABLE  
 4. ILIMIT  
 5. SOURCE  
 6. SOURCE  
 7. SOURCE  
 8. VCC
- STYLE 27:  
 PIN 1. ILIMIT  
 2. OVLO  
 3. UVLO  
 4. INPUT+  
 5. SOURCE  
 6. SOURCE  
 7. SOURCE  
 8. DRAIN
- STYLE 28:  
 PIN 1. SW\_TO\_GND  
 2. DASIC OFF  
 3. DASIC\_SW\_DET  
 4. GND  
 5. V\_MON  
 6. VBULK  
 7. VBULK  
 8. VIN
- STYLE 29:  
 PIN 1. BASE, DIE #1  
 2. EMITTER, #1  
 3. BASE, #2  
 4. EMITTER, #2  
 5. COLLECTOR, #2  
 6. COLLECTOR, #2  
 7. COLLECTOR, #1  
 8. COLLECTOR, #1
- STYLE 30:  
 PIN 1. DRAIN 1  
 2. DRAIN 1  
 3. GATE 2  
 4. SOURCE 2  
 5. SOURCE 1/DRAIN 2  
 6. SOURCE 1/DRAIN 2  
 7. SOURCE 1/DRAIN 2  
 8. GATE 1

|                         |                    |   |
|-------------------------|--------------------|---|
| <b>DOCUMENT NUMBER:</b> | <b>98ASB42564B</b> | Electronic versions are uncontrolled except when accessed directly from the Document Repository.<br>Printed versions are uncontrolled except when stamped "CONTROLLED COPY" in red. |
| <b>DESCRIPTION:</b>     | <b>SOIC-8 NB</b>   | <b>PAGE 2 OF 2</b>  |

onsemi and Onsemi are trademarks of Semiconductor Components Industries, LLC dba onsemi or its subsidiaries in the United States and/or other countries. onsemi reserves the right to make changes without further notice to any products herein. onsemi makes no warranty, representation or guarantee regarding the suitability of its products for any particular purpose, nor does onsemi assume any liability arising out of the application or use of any product or circuit, and specifically disclaims any and all liability, including without limitation special, consequential or incidental damages. onsemi does not convey any license under its patent rights nor the rights of others.

**onsemi**, **Onsemi**, and other names, marks, and brands are registered and/or common law trademarks of Semiconductor Components Industries, LLC dba "**onsemi**" or its affiliates and/or subsidiaries in the United States and/or other countries. **onsemi** owns the rights to a number of patents, trademarks, copyrights, trade secrets, and other intellectual property. A listing of **onsemi**'s product/patent coverage may be accessed at [www.onsemi.com/site/pdf/Patent-Marking.pdf](http://www.onsemi.com/site/pdf/Patent-Marking.pdf). **onsemi** reserves the right to make changes at any time to any products or information herein, without notice. The information herein is provided "as-is" and **onsemi** makes no warranty, representation or guarantee regarding the accuracy of the information, product features, availability, functionality, or suitability of its products for any particular purpose, nor does **onsemi** assume any liability arising out of the application or use of any product or circuit, and specifically disclaims any and all liability, including without limitation special, consequential or incidental damages. Buyer is responsible for its products and applications using **onsemi** products, including compliance with all laws, regulations and safety requirements or standards, regardless of any support or applications information provided by **onsemi**. "Typical" parameters which may be provided in **onsemi** data sheets and/or specifications can and do vary in different applications and actual performance may vary over time. All operating parameters, including "Typicals" must be validated for each customer application by customer's technical experts. **onsemi** does not convey any license under any of its intellectual property rights nor the rights of others. **onsemi** products are not designed, intended, or authorized for use as a critical component in life support systems or any FDA Class 3 medical devices or medical devices with a same or similar classification in a foreign jurisdiction or any devices intended for implantation in the human body. Should Buyer purchase or use **onsemi** products for any such unintended or unauthorized application, Buyer shall indemnify and hold **onsemi** and its officers, employees, subsidiaries, affiliates, and distributors harmless against all claims, costs, damages, and expenses, and reasonable attorney fees arising out of, directly or indirectly, any claim of personal injury or death associated with such unintended or unauthorized use, even if such claim alleges that **onsemi** was negligent regarding the design or manufacture of the part. **onsemi** is an Equal Opportunity/Affirmative Action Employer. This literature is subject to all applicable copyright laws and is not for resale in any manner.

#### ADDITIONAL INFORMATION

**TECHNICAL PUBLICATIONS:**

Technical Library: [www.onsemi.com/design/resources/technical-documentation](http://www.onsemi.com/design/resources/technical-documentation)  
onsemi Website: [www.onsemi.com](http://www.onsemi.com)

**ONLINE SUPPORT:** [www.onsemi.com/support](http://www.onsemi.com/support)

For additional information, please contact your local Sales Representative at [www.onsemi.com/support/sales](http://www.onsemi.com/support/sales)

## OUR CERTIFICATE

DiGi provide top-quality products and perfect service for customer worldwide through standardization, technological innovation and continuous improvement. DiGi through third-party certification, we stricly control the quality of products and services. Welcome your RFQ to

Email: [Info@DiGi-Electronics.com](mailto:Info@DiGi-Electronics.com)



Tel: +00 852-30501935

RFQ Email: [Info@DiGi-Electronics.com](mailto:Info@DiGi-Electronics.com)

DiGi is a global authorized distributor of electronic components.