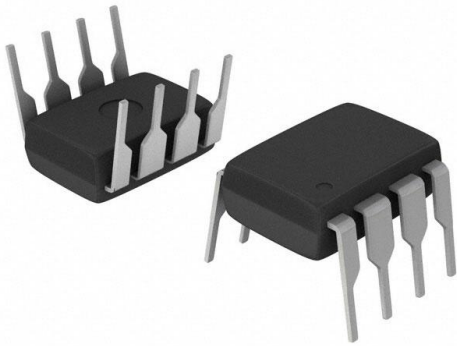


# MC44608P40 Datasheet

[www.digi-electronics.com](http://www.digi-electronics.com)



<https://www.DiGi-Electronics.com>

DiGi Electronics Part Number	MC44608P40-DG
Manufacturer	<a href="#">onsemi</a>
Manufacturer Product Number	MC44608P40
Description	IC OFFLINE SWITCH FLYBACK 8DIP
Detailed Description	Converter Offline Flyback Topology 40kHz 8-PDIP

This model MC44608P40 is available at DiGi Electronics.

DiGi Electronics offers a global database of semiconductor and electronic component datasheets.

We welcome your inquiries regarding pricing, lead time, or other product-related questions.

 [Request a Quote](#)

 [Datasheet Search](#)



Tel: +00 852-30501935

RFQ Email: [Info@DiGi-Electronics.com](mailto:Info@DiGi-Electronics.com)

DiGi is a global authorized distributor of electronic components.

## Purchase and inquiry

Manufacturer Product Number:

MC44608P40

Series:

-

Output Isolation:

Isolated

Voltage - Breakdown:

-

Voltage - Start Up:

13.1 V

Duty Cycle:

82%

Fault Protection:

Current Limiting, Over Temperature, Over Voltage

Operating Temperature:

-25°C ~ 150°C (Tj)

Supplier Device Package:

8-PDIP

Base Product Number:

MC44608

Manufacturer:

onsemi

Product Status:

Obsolete

Internal Switch(s):

No

Topology:

Flyback

Voltage - Supply (Vcc/Vdd):

6.6V ~ 16V

Frequency - Switching:

40kHz

Control Features:

-

Package / Case:

8-DIP (0.300", 7.62mm)

Mounting Type:

Through Hole

## Environmental & Export classification

RoHS Status:

RoHS non-compliant

REACH Status:

REACH Unaffected

HTSUS:

8542.39.0001

Moisture Sensitivity Level (MSL):

1 (Unlimited)

ECCN:

EAR99

# MC44608

## Few External Components Reliable and Flexible SMPS Controller

The MC44608 is a high performance voltage mode controller designed for off-line converters. This high voltage circuit that integrates the startup current source and the oscillator capacitor, requires few external components while offering a high flexibility and reliability.

The device also features a very high efficiency standby management consisting of an effective Pulsed Mode operation. This technique enables the reduction of the standby power consumption to approximately 1.0 W while delivering 300 mW in a 150 W SMPS.

### General Features

- Integrated Startup Current Source
- Lossless Off-Line Startup
- Direct Off-Line Operation
- Fast Startup
- Flexibility
- Duty Cycle Control
- Undervoltage Lockout with Hysteresis
- On Chip Oscillator Switching Frequency 40 or 75
- Secondary Control with Few External Components
- These are Pb-Free Devices\*

### Protections

- Maximum Duty Cycle Limitation
- Cycle by Cycle Current Limitation
- Demagnetization (Zero Current Detection) Protection
- "Over  $V_{CC}$  Protection" Against Open Loop
- Programmable Low Inertia Over Voltage Protection Against Open Loop
- Internal Thermal Protection

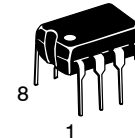
### SMPS Controller

- Pulsed Mode Techniques for a Very High Efficiency Low Power Mode
- Lossless Startup
- Low  $dV/dT$  for Low EMI Radiations



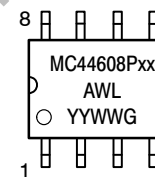
**ON Semiconductor®**

<http://onsemi.com>



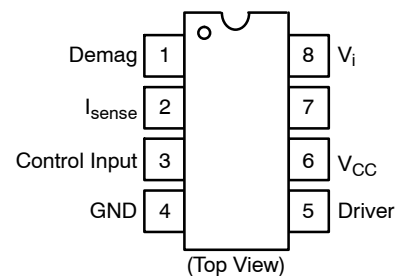
PDIP-8  
P SUFFIX  
CASE 626

### MARKING DIAGRAM



MC44608Pxx = Device Code  
xx = 40 or 75  
A = Assembly Location  
WL = Wafer Lot  
YY = Year  
WW = Work Week  
G = Pb-Free Package

### PIN CONNECTIONS



\*For additional information on our Pb-Free strategy and soldering details, please download the ON Semiconductor Soldering and Mounting Techniques Reference Manual, SOLDERRM/D.

### ORDERING INFORMATION

See detailed ordering and shipping information in the package dimensions section on page 2 of this data sheet.



## MC44608

## ELECTRICAL CHARACTERISTICS

Characteristic	Symbol	Min	Typ	Max	Unit
<b>OUTPUT SECTION</b>					
Output Resistor					$\Omega$
Sink Resistance	$R_{OL}$	5.0	8.5	15	
Source Resistance	$R_{OH}$	–	15	–	
Output Voltage Rise Time (from 3.0 V up to 9.0 V) (Note 1)	$t_r$	–	50	–	ns
Output Voltage Falling Edge Slew-Rate (from 9.0 V down to 3.0 V) (Note 1)	$t_f$	–	50	–	ns
<b>CONTROL INPUT SECTION</b>					
Duty Cycle @ $I_{pin3} = 2.5$ mA	$d_{2mA}$	–	–	2.0	%
Duty Cycle @ $I_{pin3} = 1.0$ mA	$d_{1mA}$	36	43	48	%
Control Input Clamp Voltage (Switching Phase) @ $I_{pin3} = -1.0$ mA		4.75	5.0	5.25	V
Latched Phase Control Input Voltage (Standby) @ $I_{pin3} = +500$ $\mu$ A	$V_{LP-stby}$	3.4	3.9	4.3	V
Latched Phase Control Input Voltage (Standby) @ $I_{pin3} = +1.0$ mA	$V_{LP-stby}$	2.4	3.0	3.7	V
<b>current sense section</b>					
Maximum Current Sense Input Threshold	$V_{CS-th}$	0.95	1.0	1.05	V
Input Bias Current	$I_{B-cs}$	-1.8	–	1.8	$\mu$ A
Standby Current Sense Input Current	$I_{CS-stby}$	180	200	220	$\mu$ A
Startup Phase Current Sense Input Current	$I_{CS-stup}$	180	200	220	$\mu$ A
Propagation Delay (Current Sense Input to Output @ $V_{TH}$ T MOS = 3.0 V)	$T_{PLH(In/Out)}$	–	220	–	ns
Leading Edge Blanking Duration MC44608P40	$T_{LEB}$	–	480	–	ns
Leading Edge Blanking Duration MC44608P75	$T_{LEB}$	–	250	–	ns
Leading Edge Blanking + Propagation Delay MC44608P40	$T_{DLY}$	500	680	900	ns
Leading Edge Blanking + Propagation Delay MC44608P75	$T_{DLY}$	370	470	570	ns
<b>oscillator section</b>					
Normal Operation Frequency MC44608P40	$f_{osc}$	36	40	44	kHz
Normal Operation Frequency MC44608P75	$f_{osc}$	68	75	82	kHz
Maximum Duty Cycle @ $f = f_{osc}$	$d_{max}$	78	82	86	%
<b>OVERvoltage section</b>					
Quick OVP Input Filtering ( $R_{demag} = 100$ k $\Omega$ )	$T_{filt}$	–	250	–	ns
Propagation Delay ( $I_{demag} > I_{ovp}$ to output low)	$T_{PHL(In/Out)}$	–	2.0	–	$\mu$ s
Quick OVP Current Threshold	$I_{OVP}$	105	120	140	$\mu$ A
Protection Threshold Level on $V_{CC}$	$V_{CC-OVP}$	14.8	15.3	15.8	V
Minimum Gap Between $V_{CC-OVP}$ and $V_{stup-th}$	$V_{CC-OVP} - V_{stup}$	1.0	–	–	V

1. This parameter is measured using 1.0 nF connected between the output and the ground.

## MC44608

**ELECTRICAL CHARACTERISTICS** ( $V_{CC} = 12\text{ V}$ , for typical values  $T_A = 25^\circ\text{C}$ , for min/max values  $T_A = -25^\circ\text{C}$  to  $+85^\circ\text{C}$  unless otherwise noted) (Note 2)

Characteristic	Symbol	Min	Typ	Max	Unit	
<b>DEMAGNETIZATION DETECTION section</b> (note 3)						
Demag Comparator Threshold ( $V_{pin1}$ increasing)	$V_{dmg-th}$	30	50	69	mV	
Demag Comparator Hysteresis (Note 4)	$H_{dmg}$	–	30	–	mV	
Propagation Delay (Input to Output, Low to High)	$t_{PHL(In/Out)}$	–	300	–	ns	
Input Bias Current ( $V_{demag} = 50\text{ mV}$ )	$I_{dem-lb}$	–0.6	–	–	$\mu\text{A}$	
Negative Clamp Level ( $I_{demag} = -1.0\text{ mA}$ )	$V_{cl-neg-dem}$	–0.9	–0.7	–0.4	V	
Positive Clamp Level @ $I_{demag} = 125\text{ }\mu\text{A}$	$V_{cl-pos-dem-H}$	2.05	2.3	2.8	V	
Positive Clamp Level @ $I_{demag} = 25\text{ }\mu\text{A}$	$V_{cl-pos-dem-L}$	1.4	1.7	1.9	V	
<b>OVERTEMPERATURE section</b>						
Trip Level Over Temperature	$T_{high}$	–	160	–	$^\circ\text{C}$	
Hysteresis	$T_{hyst}$	–	30	–	$^\circ\text{C}$	
<b>STANDBY MAXIMUM CURRENT REDUCTION section</b>						
Normal Mode Recovery Demag Pin Current Threshold	$I_{dem-NM}$	20	25	30	$\mu\text{A}$	
<b>K FACTORS SECTION FOR PULSED MODE OPERATION</b>						
$I_{CCS} / I_{stup}$	MC44608P40	$10 \times K1$	2.4	2.9	3.8	–
$I_{CCS} / I_{stup}$	MC44608P75	$10 \times K1$	2.8	3.3	4.2	–
$I_{CCL} / I_{stup}$		$10^3 \times K2$	46	52	63	–
$(V_{stup} - UVLO2) / (V_{stup} - UVLO1)$		$10^2 \times K_{sstup}$	1.8	2.2	2.6	–
$(UVLO1 - UVLO2) / (V_{stup} - UVLO1)$		$10^2 \times K_{sl}$	90	120	150	–
$I_{CS} / V_{csth}$		$10^6 \times Y_{cstby}$	175	198	225	–
Demag ratio $I_{ovp} / I_{dem\text{ NM}}$		$Dmgr$	3.0	4.7	5.5	–
$(\sqrt{3} \ 1.0\text{ mA} - \sqrt{3} \ 0.5\text{ mA}) / (1.0\text{ mA} - 0.5\text{ mA})$		$R3$	–	1800	–	$\Omega$
$V_{control}$ Latchoff		$V3$	–	4.8	–	V
<b>SUPPLY SECTION</b>						
Minimum Startup Voltage		$V_{ilow}$	–	–	50	V
$V_{CC}$ Startup Voltage		$V_{stup-th}$	12.5	13.1	13.8	V
Output Disabling $V_{CC}$ Voltage After Turn On		$V_{uvlo1}$	9.5	10	10.5	V
Hysteresis ( $V_{stup-th} - V_{uvlo1}$ )		$H_{stup-uvlo1}$	–	3.1	–	V
$V_{CC}$ Undervoltage Lockout Voltage		$V_{uvlo2}$	6.2	6.6	7.0	V
Hysteresis ( $V_{uvlo1} - V_{uvlo2}$ )		$H_{uvlo1-uvlo2}$	–	3.4	–	V
Absolute Normal Condition $V_{CC}$ Start Current @ ( $V_i = 100\text{ V}$ ) and ( $V_{CC} = 9.0\text{ V}$ )		$-(I_{CC})$	7.0	9.5	12.8	mA
Switching Phase Supply Current (no load)	MC44608P40 MC44608P75	$I_{CCS}$	2.0 2.4	2.6 3.2	3.6 4.0	mA
Latched Off Phase Supply Current		$I_{CC-latch}$	0.3	0.5	0.68	mA
Hiccup Mode Duty Cycle (no load)		$\delta_{Hiccup}$	–	10	–	%

- Adjust  $V_{CC}$  above the startup threshold before setting to 12 V. Low duty cycle pulse techniques are used during test to maintain junction temperature as close to ambient as possible.
- This function can be inhibited by connecting pin 1 to GND.
- Guaranteed by design (non tested).



## MC44608

In standby mode, this current can be lowered as due to the activation of a 200  $\mu\text{A}$  current source:

$$I_{pk\_max-stby} = \frac{1 - (R_{CS}(k\Omega) \times 0,2)}{R_{sense}(\Omega)} (A)$$

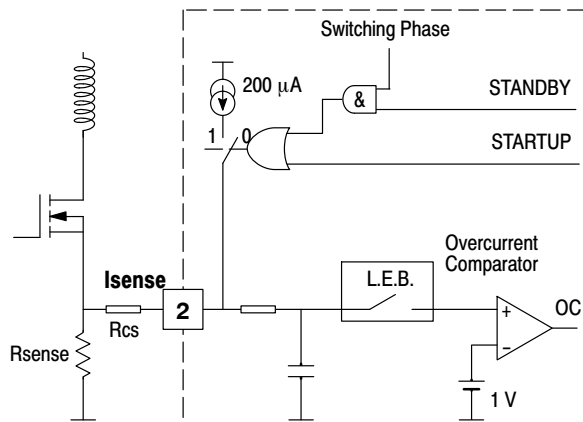


Figure 3. Current Sense

The current sense input consists of a filter (6.0 k $\Omega$ , 4.0 pF) and of a leading edge blanking. Thanks to that, this pin is not sensitive to the power switch turn on noise and spikes and practically in most applications, no filtering network is required to sense the current.

Finally, this pin is used:

- as a protection against over currents ( $I_{sense} > I$ )
- as a reduction of the peak current during a Pulsed Mode switching phase.

The overcurrent propagation delay is reduced by producing a sharp output turn off (high slew rate). This results in an abrupt output turn off in the event of an over current and in the majority of the pulsed mode switching sequence.

### Demagnetization Section

The MC44608 demagnetization detection consists of a comparator designed to compare the  $V_{CC}$  winding voltage to a reference that is typically equal to 50 mV.

This reference is chosen low to increase effectiveness of the demagnetization detection even during startup.

A latch is incorporated to turn the demagnetization block output into a low level as soon as a voltage less than 50 mV is detected, and to keep it in this state until a new pulse is generated on the output. This avoids any ringing on the input signal which may alter the demagnetization detection.

For a higher safety, the demagnetization block output is also directly connected to the output, which is disabled during the demagnetization phase.

The demagnetization pin is also used for the quick, programmable OVP. In fact, the demagnetization input current is sensed so that the circuit output is latched off when this current is detected as higher than 120  $\mu\text{A}$ .

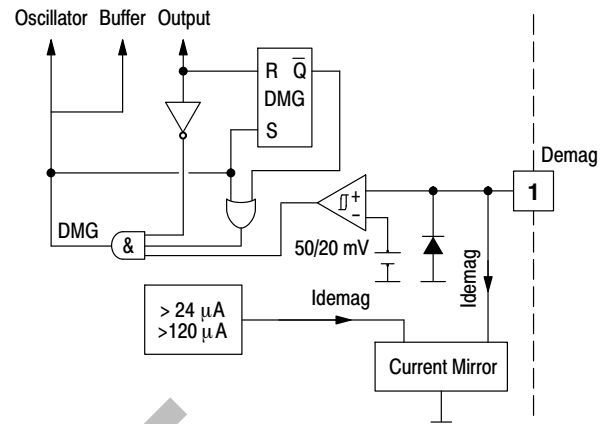


Figure 4. Demagnetization Block

This function can be inhibited by grounding it but in this case, the quick and programmable OVP is also disabled.

### Oscillator

The MC44608 contains a fixed frequency oscillator. It is built around a fixed value capacitor  $CT$  successively charged and discharged by two distinct current sources  $I_{CH}$  and  $I_{DCH}$ . The window comparator senses the  $CT$  voltage value and activates the sources when the voltage is reaching the 2.4 V/4.0 V levels.

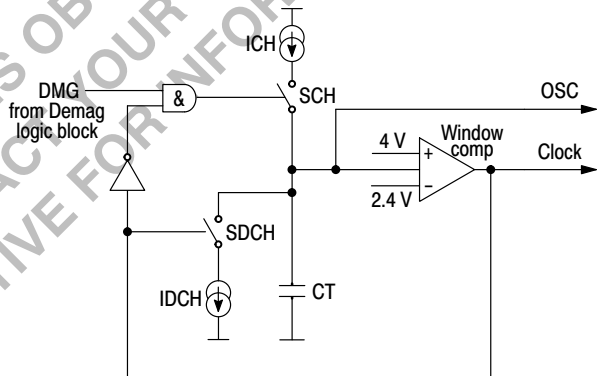


Figure 5. Oscillator Block

The complete demagnetization status  $DMG$  is used to inhibit the recharge of the  $CT$  capacitor. Thus in case of incomplete transformer demagnetization the next switching cycle is postpone until the  $DMG$  signal appears. The oscillator remains at 2.4 V corresponding to the sawtooth valley voltage. In this way the SMPS is working in the so called SOPS mode (Self Oscillating Power Supply). In that case the effective switching frequency is variable and no longer depends on the oscillator timing but on the external working conditions (Refer to  $DMG$  signal in the Figure 6).

## MC44608

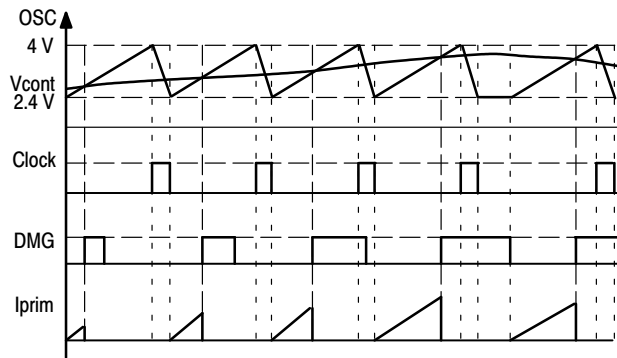


Figure 6.

The OSC and Clock signals are provided according to the Figure 6. The Clock signals correspond to the CT capacitor discharge. The bottom curve represents the current flowing in the sense resistor  $R_{cs}$ . It starts from zero and stops when the sawtooth value is equal to the control voltage  $V_{cont}$ . In this way the SMPS is regulated with a voltage mode control.

### Overvoltage Protection

The MC44608 offers two OVP functions:

- a fixed function that detects when  $V_{CC}$  is higher than 15.4 V
- a programmable function that uses the demag pin. The current flowing into the demag pin is mirrored and compared to the reference current  $I_{ovp}$  (120  $\mu$ A). Thus this OVP is quicker as it is not impacted by the  $V_{CC}$  inertia and is called QOVP.

In both cases, once an OVP condition is detected, the output is latched off until a new circuit startup.

### Startup Management

The  $V_i$  pin 8 is directly connected to the HV DC rail  $V_{in}$ . This high voltage current source is internally connected to the  $V_{CC}$  pin and thus is used to charge the  $V_{CC}$  capacitor. The  $V_{CC}$  capacitor charge period corresponds to the startup phase. When the  $V_{CC}$  voltage reaches 13 V, the high voltage 9.0 mA current source is disabled and the device starts working. The device enters into the switching phase.

It is to be noticed that the maximum rating of the  $V_i$  pin 8 is 500 V. ESD protection circuitry is not currently added to this pin due to size limitations and technology constraints. Protection is limited by the drain–substrate junction in avalanche breakdown. To help increase the application safety against high voltage spike on that pin it is possible to insert a small wattage 1.0 k $\Omega$  series resistor between the  $V_{in}$  rail and pin 8.

The Figure 7 shows the  $V_{CC}$  voltage evolution in case of no external current source providing current into the  $V_{CC}$  pin during the switching phase. This case can be encountered in SMPS when the self supply through an auxiliary winding is not present (strong overload on the SMPS output for example). The Figure 17 also depicts this working configuration.

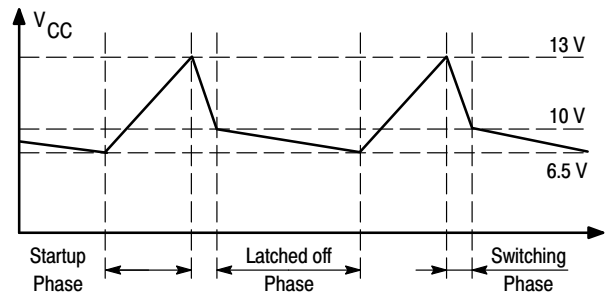


Figure 7. Hiccup Mode

In case of the hiccup mode, the duty cycle of the switching phase is in the range of 10%.

### Mode Transition

The LW latch Figure 8 is the memory of the working status at the end of every switching sequence.

Two different cases must be considered for the logic at the termination of the SWITCHING PHASE:

1. No Over Current was observed
2. An Over Current was observed

These 2 cases are corresponding to the signal labelled NOC in case of “No Over Current” and “OC” in case of Over Current. So the effective working status at the end of the ON time memorized in LW corresponds to  $Q=1$  for no over current and  $Q=0$  for over current.

This sequence is repeated during the Switching phase.

Several events can occur:

1. SMPS switch OFF
2. SMPS output overload
3. Transition from Normal to Pulsed Mode
4. Transition from Pulsed Mode to Normal Mode

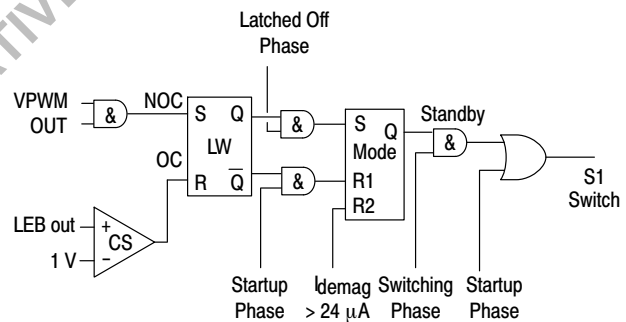


Figure 8. Transition Logic

### • 1. SMPS SWITCH OFF

When the mains is switched OFF, so long as the bulk electrolytic bulk capacitor provides energy to the SMPS, the controller remains in the switching phase. Then the peak current reaches its maximum peak value, the switching frequency decreases and all the secondary voltages are reduced. The  $V_{CC}$  voltage is also reduced. When  $V_{CC}$  is equal to 10 V, the SMPS stops working.

**MC44608**

- **2. Overload**

In the hiccup mode the 3 distinct phases are described as follows (refer to Figure 7):

The SWITCHING PHASE: The SMPS output is low and the regulation block reacts by increasing the ON time ( $d_{max} = 80\%$ ). The OC is reached at the end of every switching cycle. The LW latch (Figure 8) is reset before the VPWM signal appears. The SMPS output voltage is low. The  $V_{CC}$  voltage cannot be maintained at a normal level as the auxiliary winding provides a voltage which is also reduced in a ratio similar to the one on the output (i.e.  $V_{out}$  nominal /  $V_{out}$  short-circuit). Consequently the  $V_{CC}$  voltage is reduced at an operating rate given by the combination  $V_{CC}$  capacitor value together with the  $I_{CC}$  working consumption (3.2 mA) according to the equation 2. When  $V_{CC}$  crosses 10V the WORKING PHASE gets terminated. The LW latch remains in the reset status.

The LATCHED-OFF PHASE: The  $V_{CC}$  capacitor voltage continues to drop. When it reaches 6.5 V this phase is terminated. Its duration is governed by equation 3.

The startup PHASE is reinitiated. The high voltage startup current source ( $-I_{CC1} = 9.0$  mA) is activated and the MODE latch is reset. The  $V_{CC}$  voltage ramps up according to the equation 1. When it reaches 13 V, the IC enters into the SWITCHING PHASE.

The NEXT SWITCHING PHASE: The high voltage current source is inhibited, the MODE latch ( $Q=0$ ) activates the NORMAL mode of operation. Figure 3 shows that no current is injected out pin 2. The over current sense level corresponds to 1.0 V.

As long as the overload is present, this sequence repeats. The SWITCHING PHASE duty cycle is in the range of 10%.

- **3. Transition from Normal to Pulsed Mode**

In this sequence the secondary side is reconfigured (refer to the typical application schematic on page 13). The high voltage output value becomes lower than the NORMAL mode regulated value. The TL431 shunt regulator is fully OFF. In the SMPS standby mode all the SMPS outputs are lowered except for the low voltage output that supply the wake-up circuit located at the isolated side of the power supply. In that mode the secondary regulation is performed by the zener diode connected in parallel to the TL431.

The secondary reconfiguration status can be detected on the SMPS primary side by measuring the voltage level present on the auxiliary winding  $L_{aux}$ . (Refer to the Demagnetization Section). In the reconfigured status, the  $L_{aux}$  voltage is also reduced. The  $V_{CC}$  self-powering is no longer possible thus the SMPS enters in a hiccup mode similar to the one described under the Overload condition.

In the SMPS standby mode the 3 distinct phases are:

The SWITCHING PHASE: Similar to the Overload mode. The current sense clamping level is reduced

according to the equation of the current sense section, page 5. The C.S. clamping level depends on the power to be delivered to the load during the SMPS standby mode. Every switching sequence ON/OFF is terminated by an OC as long as the secondary Zener diode voltage has not been reached. When the Zener voltage is reached the ON cycle is terminated by a true PWM action. The proper SWITCHING PHASE termination must correspond to a NOC condition. The LW latch stores this NOC status.

The LATCHED OFF PHASE: The MODE latch is set.

The startup PHASE is similar to the Overload Mode. The MODE latch remains in its set status ( $Q=1$ ).

The SWITCHING PHASE: The standby signal is validated and the 200  $\mu$ A is sourced out of the Current Sense pin 2.

- **4. Transition from Standby to Normal**

The secondary reconfiguration is removed. The regulation on the low voltage secondary rail can no longer be achieved, thus at the end of the SWITCHING PHASE, no PWM condition can be encountered. The LW latch is reset.

At the next WORKING PHASE a NORMAL mode status takes place.

In order to become independent of the recovery time constant on the secondary side of the SMPS an additional reset input R2 is provided on the MODE latch. The condition  $I_{demag} < 24 \mu$ A corresponds to the activation of the secondary reconfiguration status. The R2 reset insures a direct return into the Normal Mode.

**Pulsed Mode Duty Cycle Control**

During the sleep mode of the SMPS the switch S3 is closed and the control input pin 3 is connected to a 4.6 V voltage source thru a 500  $\Omega$  resistor. The discharge rate of the  $V_{CC}$  capacitor is given by  $I_{CC-latch}$  (device consumption during the LATCHED OFF phase) in addition to the current drawn out of the pin 3. Connecting a resistor between the Pin 3 and GND ( $R_{DPULSED}$ ) a programmable current is drawn from the  $V_{CC}$  through pin 3. The duration of the LATCHED OFF phase is impacted by the presence of the resistor  $R_{DPULSED}$ . The equation 3 shows the relation to the pin 3 current.

**Pulsed Mode Phases**

Equations 1 through 8 define and predict the effective behavior during the PULSED MODE operation. The equations 6, 7, and 8 contain K, Y, and D factors. These factors are combinations of measured parameters. They appear in the parameter section “Kfactors for pulsed mode operation” page 4. In equations 3 through 8 the pin 3 current is the current defined in the above section “Pulsed Mode Duty Cycle Control”.

**MC44608****EQUATION 1**

Startup Phase Duration:

$$t_{\text{start-up}} = \frac{C_{V_{CC}} \times (V_{\text{stup}} - UVLO2)}{I_{\text{stup}}}$$

where:  $I_{\text{stup}}$  is the startup current flowing through  $V_{CC}$  pin  
 $C_{V_{CC}}$  is the  $V_{CC}$  capacitor value

**EQUATION 2**

Switching Phase Duration:

$$t_{\text{switch}} = \frac{C_{V_{CC}} \times (V_{\text{stup}} - UVLO1)}{I_{\text{ccS}} + I_G}$$

where:  $I_{\text{ccS}}$  is the no load circuit consumption in switching phase  
 $I_G$  is the current consumed by the Power Switch

**EQUATION 3**

Latched-off Phase Duration:

$$t_{\text{latched-off}} = \frac{C_{V_{CC}} \times (UVLO1 - UVLO2)}{I_{\text{ccL}} + I_{\text{pin3}}}$$

where:  $I_{\text{ccL}}$  is the latched off phase consumption  
 $I_{\text{pin3}}$  is the current drawn from pin3 adding a resistor

**EQUATION 4**

Burst Mode Duty Cycle:

$$d_{\text{BM}} = \frac{t_{\text{switch}}}{t_{\text{start-up}} + t_{\text{switch}} + t_{\text{latched-off}}}$$

**EQUATION 5**

$$d_{\text{BM}} = \frac{\frac{C_{V_{CC}} \times (V_{\text{stup}} - UVLO1)}{I_{\text{ccS}} + I_G}}{\frac{C_{V_{CC}} \times (V_{\text{stup}} - UVLO2)}{I_{\text{stup}}} + \frac{C_{V_{CC}} \times (V_{\text{stup}} - UVLO1)}{I_{\text{ccS}} + I_G} + \frac{C_{V_{CC}} \times (UVLO1 - UVLO2)}{I_{\text{ccL}} + I_{\text{pin3}}}}$$

**EQUATION 6**

$$d_{\text{BM}} = \frac{1}{1 + \left( k_{S/\text{Stup}} \times \frac{I_{\text{ccS}} + I_G}{I_{\text{stup}}} \right) + \left( k_{S/L} \times \frac{I_{\text{ccS}} + I_G}{I_{\text{ccL}} + I_{\text{pin3}}} \right)}$$

where:  $k_{S/\text{Stup}} = (V_{\text{stup}} - UVLO2)/(V_{\text{stup}} - UVLO1)$   
 $k_{S/L} = (UVLO1 - UVLO2)/(V_{\text{stup}} - UVLO1)$

**MC44608****EQUATION 7**

$$d_{BM} = \frac{1}{1 + \left[ \frac{I_{ccS} + I_G}{I_{stup}} \times \left[ k_{S/Stup} + \left( k_{S/L} \times \frac{I_{stup}}{I_{cCL} + I_{pin3}} \right) \right] \right]}$$

**EQUATION 8**

$$d_{BM} = \frac{1}{1 + \left\{ \left( k1 + \frac{I_G}{I_{stup}} \right) \times \left[ k_{S/Stup} + \left( k_{S/L} \times \frac{1}{k2 + \left( \frac{I_{pin3}}{I_{stup}} \right)} \right) \right] \right\}}$$

where:  $k1 = I_{ccS}/I_{stup}$

$k2 = I_{cCL}/I_{stup}$

$k_{S/Stup} = (V_{stup} - UVLO2)/(V_{stup} - UVLO1)$

$k_{S/L} = (UVLO1 - UVLO2)/(V_{stup} - UVLO1)$

**PULSED MODE CURRENT SENSE CLAMPING LEVEL**

Equations 9, 10, 11 and 12 allow the calculation of the  $R_{cs}$  value for the desired maximum current peak value during the SMPS standby mode.

**EQUATION 9**

$$I_{pk\_stby} = \frac{V_{cs-th} - (R_{cs} \times I_{cs})}{R_S}$$

where:  $V_{cs-th}$  is the CS comparator threshold

$I_{cs}$  is the CS internal current source

$R_S$  is the sensing resistor

$R_{cs}$  is the resistor connected between pin 2 and  $R_S$

**EQUATION 10**

$$I_{pk\_stby} = V_{cs-th} \times \frac{1 - \left( R_{cs} \times \frac{I_{cs}}{V_{cs-th}} \right)}{R_S}$$

**EQUATION 11**

$$I_{pk\_stby} = V_{cs-th} \times \frac{1 - (R_{cs} \times Y_{cs-stby})}{R_S}$$

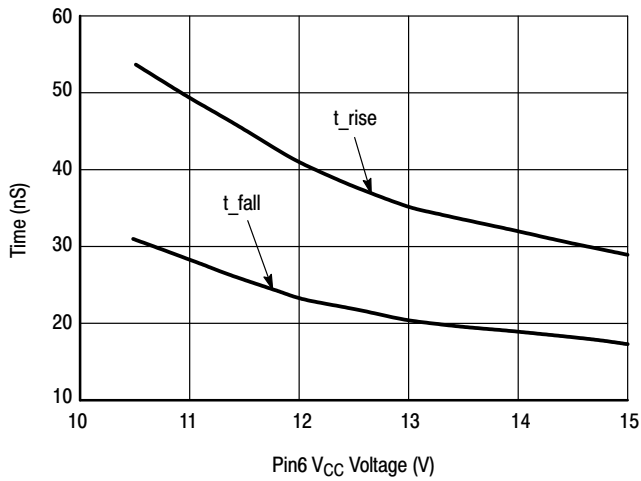
where:  $Y_{cs-stby} = I_{cs}/V_{cs-th}$

Taking into account the circuit propagation delay ( $\delta t_{cs}$ ) and the Power Switch reaction time ( $\delta t_{ps}$ ):

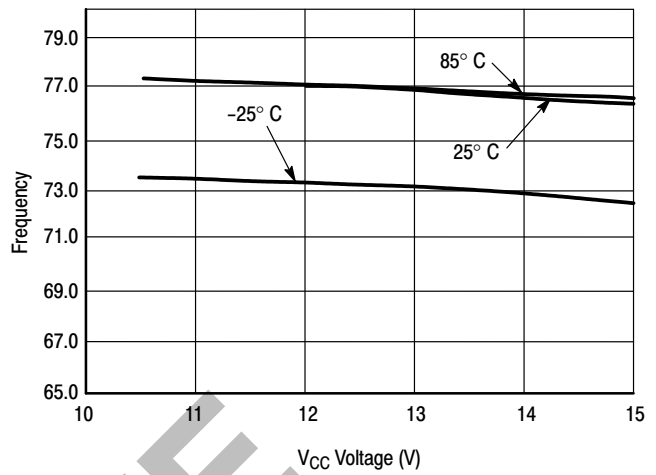
**EQUATION 12**

$$I_{pk\_stby} = \left[ V_{cs-th} \times \frac{1 - (R_{cs} \times Y_{cs-stby})}{R_S} \right] + \frac{V_{in} \times (\delta t_{cs} + \delta t_{ps})}{L_p}$$

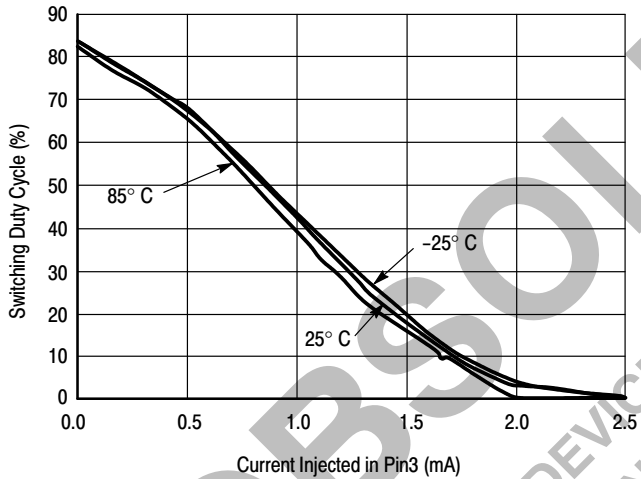
**MC44608**



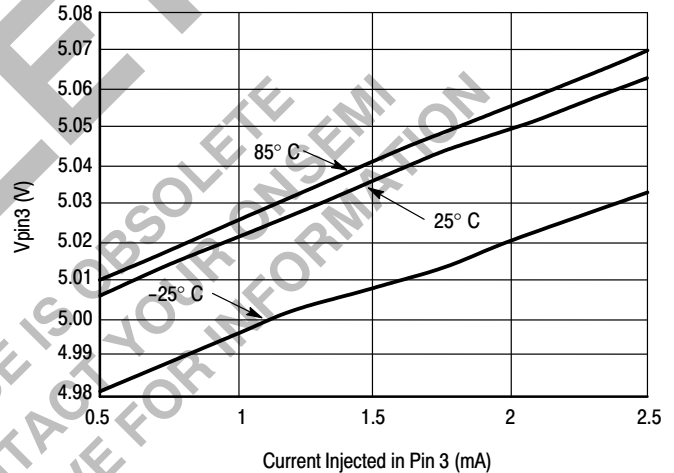
**Figure 9. Output Switching Speed**



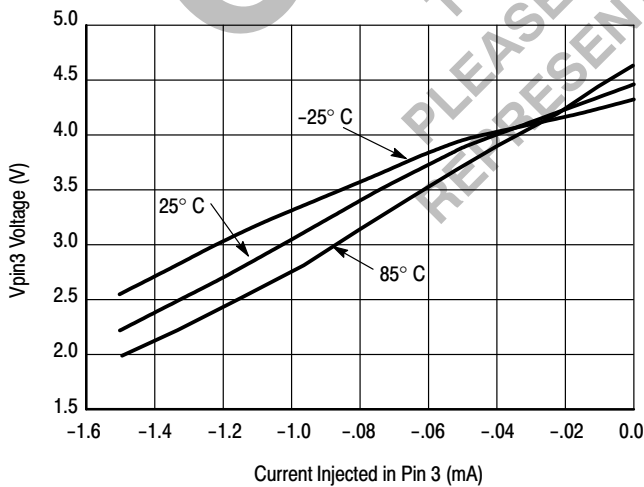
**Figure 10. Frequency Stability**



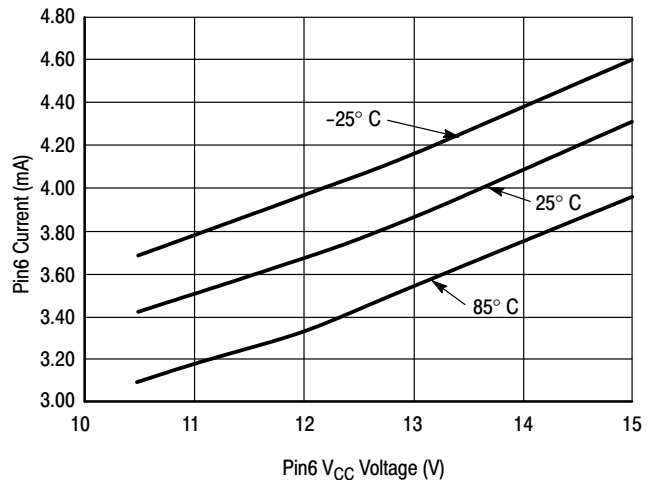
**Figure 11. Duty Cycle Control**



**Figure 12. Vpin3 During the Working Period**

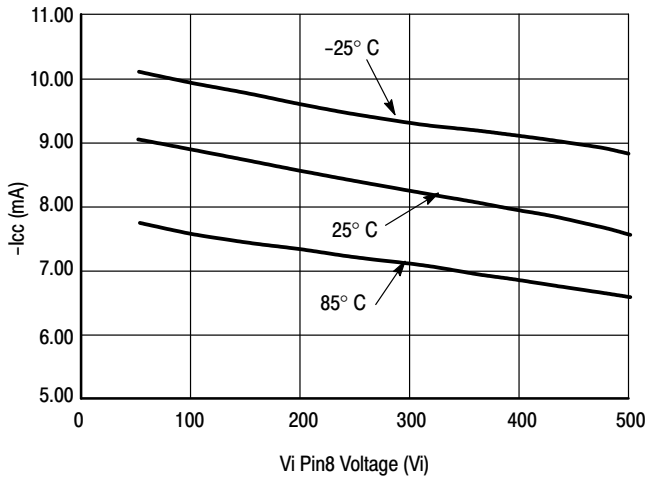


**Figure 13. Vpin3 During the Latched Off Period**

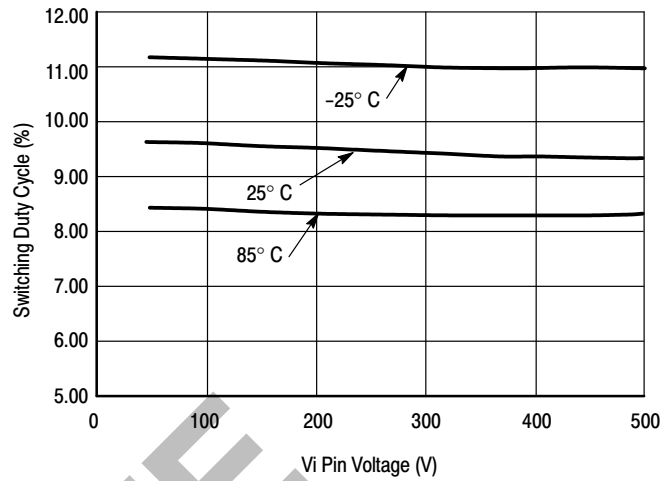


**Figure 14. Device Consumption when Switching**

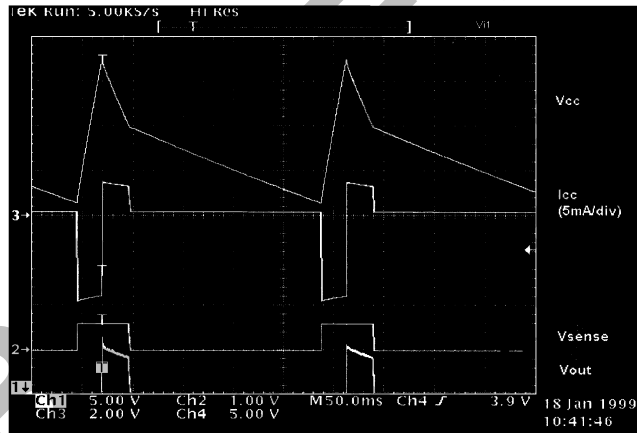
**MC44608**



**Figure 15. High Voltage Current Source**



**Figure 16. Overload Burst Mode**



**Figure 17. Hiccup Mode Waveforms**

The data in Figure 16 corresponds to the waveform in Figure 17. The Figure 17 shows  $V_{CC}$ ,  $I_{CC}$ ,  $I_{sense}$  (pin 2) and  $V_{out}$  (pin 5).  $V_{out}$  (pin 5) in fact shows the envelope of the

output switching pulses. This mode corresponds to an overload condition.

### MC44608

The Figure 19 represents a complete power supply using the secondary reconfiguration.

The specification is as follows:	Input source:	85 Vac to 265 Vac
	3 Outputs	112 V/0.45 A 16 V/1.5 A 8.0 V/1.0 A
	Output power	80 W
	Standby mode	@ Pout = 300 mW, 1.3 W

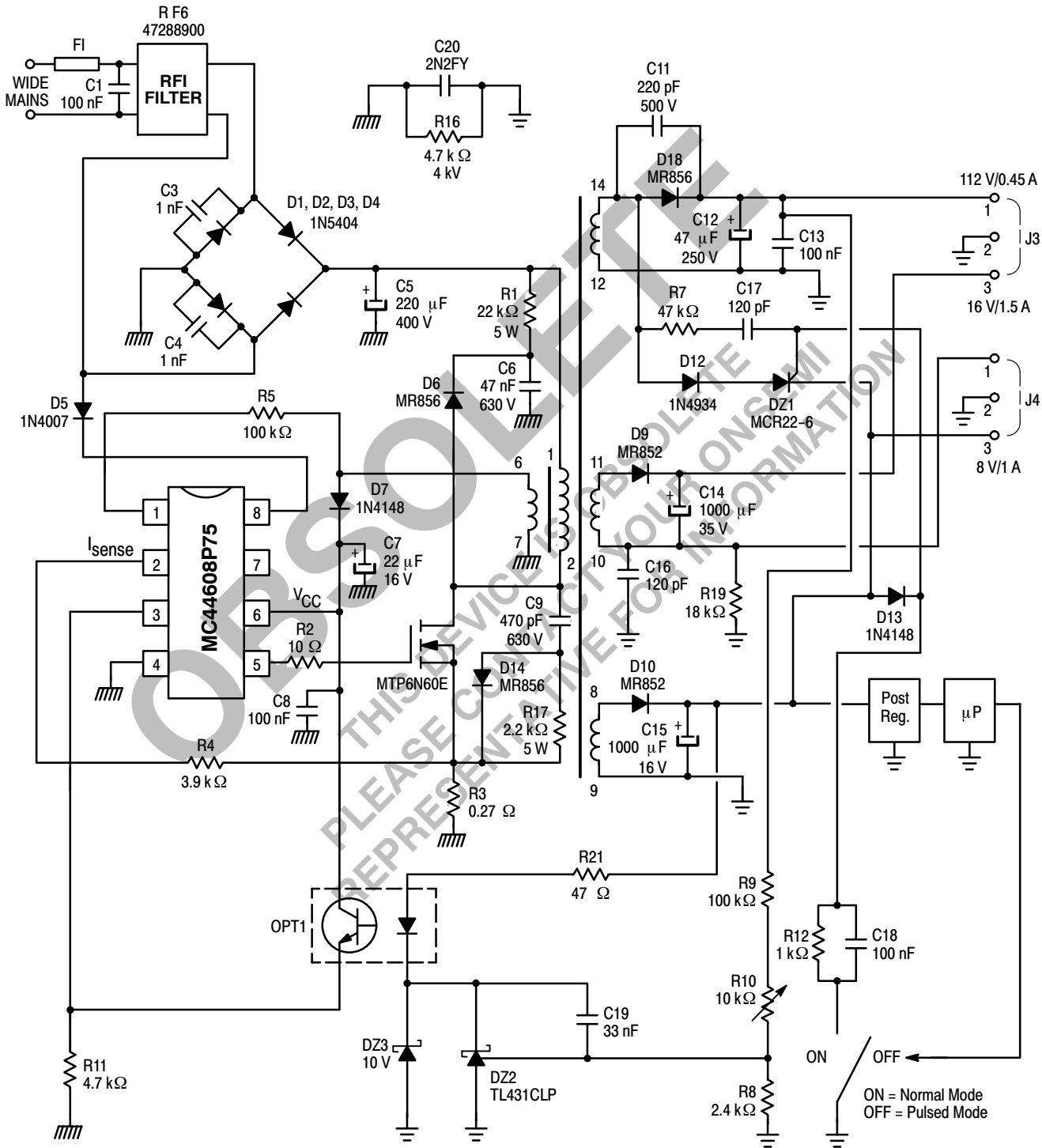
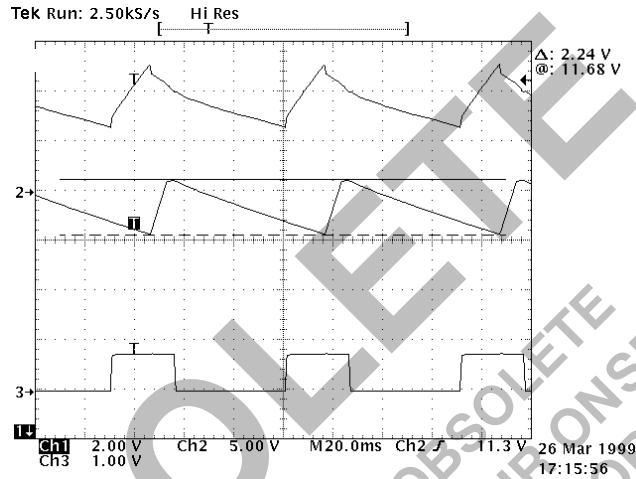


Figure 18. Typical Application

**MC44608**

The secondary reconfiguration is activated by the  $\mu\text{P}$  through the switch. The  $dV/dt$  appearing on the high voltage winding (pins 14 of the transformer) at every TMOS switch off, produces a current spike through the series RC network R7, C17. According to the switch position this spike is either absorbed by the ground (switch closed) or flows into the thyristor gate (switch open) thus firing the MCR22-6. The closed position of the switch corresponds to the Pulsed Mode activation. In this secondary side SMPS status the high voltage winding (12-14) is connected through D12 and DZ1 to the 8.0 V low voltage secondary rail. The voltages

applied to the secondary windings 12-14, 10-11 and 6-7 (Vaux) are thus divided by ratio  $N_{12-14} / N_{9-8}$  (number of turns of the winding 12-14 over number of turns of the winding 9-8). In this reconfigured status all the secondary voltages are lowered except the 8.0 V one. The regulation during every pulsed or burst is performed by the zener diode DZ3 which value has to be chosen higher than the normal mode regulation level. This working mode creates a voltage ripple on the 8.0 V rail which generally must be post regulated for the microProcessor supply.



**Figure 19. SMPS Pulsed Mode**

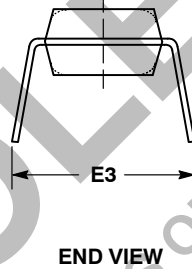
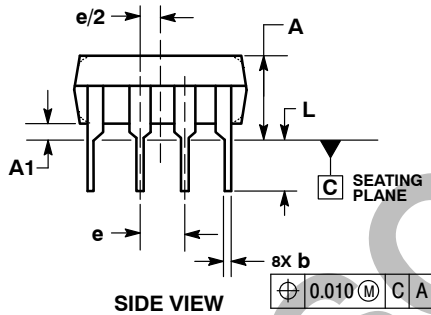
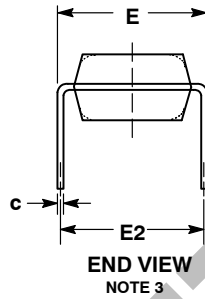
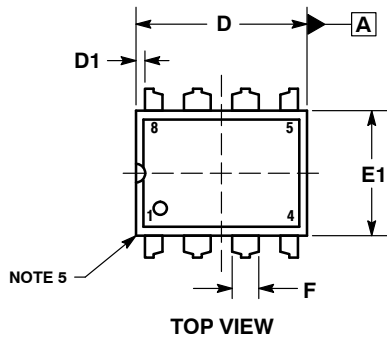
The Figure 19 shows the SMPS behavior while working in the reconfigured mode. The top curve represents the  $V_{CC}$  voltage (pin 6 of the MC44608). The middle curve represents the 8.0 V rail. The regulation is taking place at 11.68 V. On the bottom curve the pin 2 voltage is shown. This voltage represents the current sense signal. The pin 2

voltage is the result of the  $200 \mu\text{A}$  current source activated during the startup phase and also during the working phase which flows through the R4 resistor. The used high resolution mode of the oscilloscope does not allow to show the effective  $t_{on}$  current flowing in the sensing resistor R11.

**MC44608**

**PACKAGE DIMENSIONS**

**8 LEAD PDIP**  
**CASE 626-05**  
**ISSUE M**



**NOTES:**

1. DIMENSIONING AND TOLERANCING PER ASME Y14.5M, 1994.
2. CONTROLLING DIMENSION: INCHES.
3. DIMENSION E IS MEASURED WITH THE LEADS RESTRAINED PARALLEL AT WIDTH E2.
4. DIMENSION E1 DOES NOT INCLUDE MOLD FLASH.
5. ROUNDED CORNERS OPTIONAL.

DIM	INCHES			MILLIMETERS		
	MIN	NOM	MAX	MIN	NOM	MAX
A	----	----	0.210	----	----	5.33
A1	0.015	----	----	0.38	----	----
b	0.014	0.018	0.022	0.35	0.46	0.56
C	0.008	0.010	0.014	0.20	0.25	0.36
D	0.355	0.365	0.400	9.02	9.27	10.02
D1	0.005	----	----	0.13	----	----
E	0.300	0.310	0.325	7.62	7.87	8.26
E1	0.240	0.250	0.280	6.10	6.35	7.11
E2	0.300 BSC			7.62 BSC		
E3	----	----	0.430	----	----	10.92
e	0.100 BSC			2.54 BSC		
L	0.115	0.130	0.150	2.92	3.30	3.81

OBSOLETE

THIS DEVICE IS OBSOLETE  
 PLEASE CONTACT YOUR ONSEMI  
 REPRESENTATIVE FOR INFORMATION

**ON Semiconductor** and are registered trademarks of Semiconductor Components Industries, LLC (SCILLC). SCILLC reserves the right to make changes without further notice to any products herein. SCILLC makes no warranty, representation or guarantee regarding the suitability of its products for any particular purpose, nor does SCILLC assume any liability arising out of the application or use of any product or circuit, and specifically disclaims any and all liability, including without limitation special, consequential or incidental damages. "Typical" parameters which may be provided in SCILLC data sheets and/or specifications can and do vary in different applications and actual performance may vary over time. All operating parameters, including "Typicals" must be validated for each customer application by customer's technical experts. SCILLC does not convey any license under its patent rights nor the rights of others. SCILLC products are not designed, intended, or authorized for use as components in systems intended for surgical implant into the body, or other applications intended to support or sustain life, or for any other application in which the failure of the SCILLC product could create a situation where personal injury or death may occur. Should Buyer purchase or use SCILLC products for any such unintended or unauthorized application, Buyer shall indemnify and hold SCILLC and its officers, employees, subsidiaries, affiliates, and distributors harmless against all claims, costs, damages, and expenses, and reasonable attorney fees arising out of, directly or indirectly, any claim of personal injury or death associated with such unintended or unauthorized use, even if such claim alleges that SCILLC was negligent regarding the design or manufacture of the part. SCILLC is an Equal Opportunity/Affirmative Action Employer. This literature is subject to all applicable copyright laws and is not for resale in any manner.

**PUBLICATION ORDERING INFORMATION**

**LITERATURE FULFILLMENT:**  
 Literature Distribution Center for ON Semiconductor  
 P.O. Box 5163, Denver, Colorado 80217 USA  
**Phone:** 303-675-2175 or 800-344-3860 Toll Free USA/Canada  
**Fax:** 303-675-2176 or 800-344-3867 Toll Free USA/Canada  
**Email:** orderlit@onsemi.com

**N. American Technical Support:** 800-282-9855 Toll Free  
 USA/Canada  
**Europe, Middle East and Africa Technical Support:**  
 Phone: 421 33 790 2910  
**Japan Customer Focus Center**  
 Phone: 81-3-5773-3850

**ON Semiconductor Website:** [www.onsemi.com](http://www.onsemi.com)  
**Order Literature:** <http://www.onsemi.com/orderlit>  
 For additional information, please contact your local Sales Representative

## OUR CERTIFICATE

DiGi provide top-quality products and perfect service for customer worldwide through standardization, technological innovation and continuous improvement. DiGi through third-party certification, we strictly control the quality of products and services. Welcome your RFQ to

Email: [Info@DiGi-Electronics.com](mailto:Info@DiGi-Electronics.com)



Tel: +00 852-30501935

RFQ Email: [Info@DiGi-Electronics.com](mailto:Info@DiGi-Electronics.com)

DiGi is a global authorized distributor of electronic components.