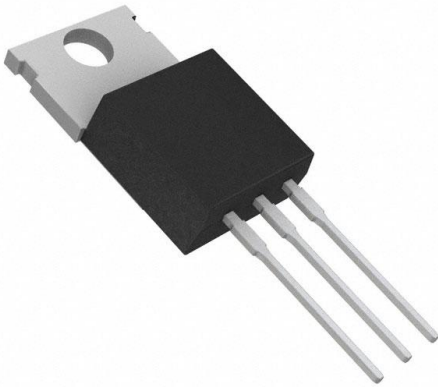


# TIP117G Datasheet

[www.digi-electronics.com](http://www.digi-electronics.com)



<https://www.DiGi-Electronics.com>

DiGi Electronics Part Number	TIP117G-DG
Manufacturer	<a href="#">onsemi</a>
Manufacturer Product Number	TIP117G
Description	TRANS PNP DARL 100V 2A TO220
Detailed Description	Bipolar (BJT) Transistor PNP - Darlington 100 V 2 A 2 W Through Hole TO-220



Tel: +00 852-30501935

RFQ Email: [Info@DiGi-Electronics.com](mailto:Info@DiGi-Electronics.com)

DiGi is a global authorized distributor of electronic components.

## Purchase and inquiry

Manufacturer Product Number:

TIP117G

Series:

-

Transistor Type:

PNP - Darlington

Voltage - Collector Emitter Breakdown (Max):

100 V

Current - Collector Cutoff (Max):

2mA

Power - Max:

2 W

Operating Temperature:

-65°C ~ 150°C (TJ)

Package / Case:

TO-220-3

Base Product Number:

TIP117

Manufacturer:

onsemi

Product Status:

Active

Current - Collector (Ic) (Max):

2 A

Vce Saturation (Max) @ Ib, Ic:

2.5V @ 8mA, 2A

DC Current Gain (hFE) (Min) @ Ic, Vce:

1000 @ 1A, 4V

Frequency - Transition:

-

Mounting Type:

Through Hole

Supplier Device Package:

TO-220

## Environmental & Export classification

RoHS Status:

ROHS3 Compliant

REACH Status:

REACH Unaffected

HTSUS:

8541.29.0095

Moisture Sensitivity Level (MSL):

Not Applicable

ECCN:

EAR99



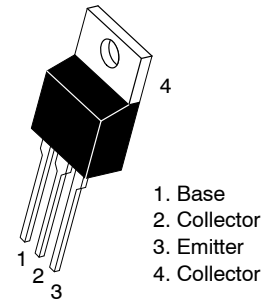
# Plastic Medium-Power Complementary Silicon Transistors

## TIP110, TIP111, TIP112 (NPN); TIP115, TIP116, TIP117 (PNP)

Designed for general-purpose amplifier and low-speed switching applications.

### Features

- High DC Current Gain –  
 $h_{FE} = 2500$  (Typ) @  $I_C$   
 $= 1.0$  Adc
- Collector–Emitter Sustaining Voltage – @ 30 mAdc  
 $V_{CEO(sus)} = 60$  Vdc (Min) – TIP110, TIP115  
 $= 80$  Vdc (Min) – TIP111, TIP116  
 $= 100$  Vdc (Min) – TIP112, TIP117
- Low Collector–Emitter Saturation Voltage –  
 $V_{CE(sat)} = 2.5$  Vdc (Max) @  $I_C$   
 $= 2.0$  Adc
- Monolithic Construction with Built-in Base–Emitter Shunt Resistors
- Pb–Free Packages are Available\*–



TO-220AB  
CASE 221A  
STYLE 1

## DARLINGTON 2 AMPERE COMPLEMENTARY SILICON POWER TRANSISTORS 60–80–100 VOLTS, 50 WATTS

### MARKING DIAGRAM



TIP11x	= Device Code
x	= 0, 1, 2, 5, 6, or 7
A	= Assembly Location
Y	= Year
WW	= Work Week
G	= Pb–Free Package

### ORDERING INFORMATION

See detailed ordering and shipping information on page 8 of this data sheet.

NOTE: Some of the devices on this data sheet have been **DISCONTINUED**. Please refer to the table on page 8.

\*For additional information on our Pb–Free strategy and soldering details, please download the **onsemi** Soldering and Mounting Techniques Reference Manual, [SOLDERRM/D](http://www.onsemi.com/SOLDERRM/D).

**TIP110, TIP111, TIP112 (NPN); TIP115, TIP116, TIP117 (PNP)****MAXIMUM RATINGS**

Symbol	Rating	TIP110, TIP115	TIP111, TIP116	TIP112, TIP117	Unit
$V_{CEO}$	Collector–Emitter Voltage	60	80	100	Vdc
$V_{CB}$	Collector–Base Voltage	60	80	100	Vdc
$V_{EB}$	Emitter–Base Voltage	5.0			Vdc
$I_C$	Collector Current – Continuous – Peak	2.0 4.0			Adc
$I_B$	Base Current	50			mAdc
$P_D$	Total Power Dissipation @ $T_C = 25^\circ\text{C}$ Derate above $25^\circ\text{C}$	50 0.4			W W/ $^\circ\text{C}$
$P_D$	Total Power Dissipation @ $T_A = 25^\circ\text{C}$ Derate above $25^\circ\text{C}$	2.0 0.016			W W/ $^\circ\text{C}$
E	Unclamped Inductive Load Energy – Figure 13	25			mJ
$T_J, T_{stg}$	Operating and Storage Junction	–65 to +150			$^\circ\text{C}$

Stresses exceeding those listed in the Maximum Ratings table may damage the device. If any of these limits are exceeded, device functionality should not be assumed, damage may occur and reliability may be affected.

**THERMAL CHARACTERISTICS**

Symbol	Characteristics	Max	Unit
$R_{\theta JC}$	Thermal Resistance, Junction–to–Case	2.5	$^\circ\text{C}/\text{W}$
$R_{\theta JA}$	Thermal Resistance, Junction–to–Ambient	62.5	$^\circ\text{C}/\text{W}$

**ELECTRICAL CHARACTERISTICS** ( $T_C = 25^\circ\text{C}$  unless otherwise noted)

Symbol	Characteristic	Min	Max	Unit
--------	----------------	-----	-----	------

**OFF CHARACTERISTICS**

$V_{CEO(sus)}$	Collector–Emitter Sustaining Voltage (Note 1) ( $I_C = 30\text{ mAdc}, I_B = 0$ )	TIP110, TIP115 TIP111, TIP116 TIP112, TIP117	60 80 100	– – –	Vdc
$I_{CEO}$	Collector Cutoff Current ( $V_{CE} = 30\text{ Vdc}, I_B = 0$ ) ( $V_{CE} = 40\text{ Vdc}, I_B = 0$ ) ( $V_{CE} = 50\text{ Vdc}, I_B = 0$ )	TIP110, TIP115 TIP111, TIP116 TIP112, TIP117	– – –	2.0 2.0 2.0	mAdc
$I_{CBO}$	Collector Cutoff Current ( $V_{CB} = 60\text{ Vdc}, I_E = 0$ ) ( $V_{CB} = 80\text{ Vdc}, I_E = 0$ ) ( $V_{CB} = 100\text{ Vdc}, I_E = 0$ )	TIP110, TIP115 TIP111, TIP116 TIP112, TIP117	– – –	1.0 1.0 1.0	mAdc
$I_{EBO}$	Emitter Cutoff Current ( $V_{BE} = 5.0\text{ Vdc}, I_C = 0$ )		–	2.0	mAdc

**ON CHARACTERISTICS** (Note 1)

$h_{FE}$	DC Current Gain ( $I_C = 1.0\text{ Adc}, V_{CE} = 4.0\text{ Vdc}$ ) ( $I_C = 2.0\text{ Adc}, V_{CE} = 4.0\text{ Vdc}$ )	1000 500	– –	–
$V_{CE(sat)}$	Collector–Emitter Saturation Voltage ( $I_C = 2.0\text{ Adc}, I_B = 8.0\text{ mAdc}$ )	–	2.5	Vdc
$V_{BE(on)}$	Base–Emitter On Voltage ( $I_C = 2.0\text{ Adc}, V_{CE} = 4.0\text{ Vdc}$ )	–	2.8	Vdc

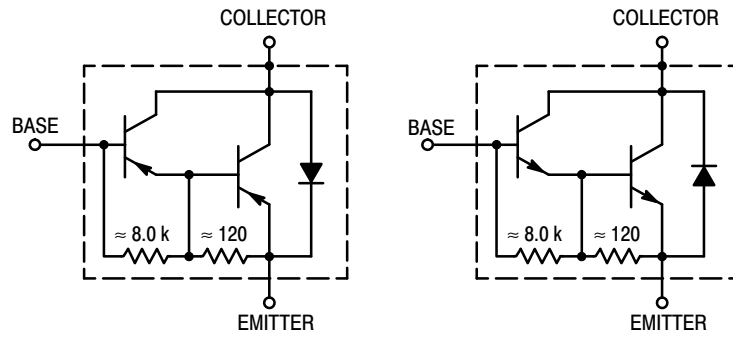
**DYNAMIC CHARACTERISTICS**

$h_{fe}$	Small–Signal Current Gain ( $I_C = 0.75\text{ Adc}, V_{CE} = 10\text{ Vdc}, f = 1.0\text{ MHz}$ )	25	–	–	
$C_{ob}$	Output Capacitance ( $V_{CB} = 10\text{ Vdc}, I_E = 0, f = 0.1\text{ MHz}$ )	TIP115, TIP116, TIP117 TIP110, TIP111, TIP112	– –	200 100	pF

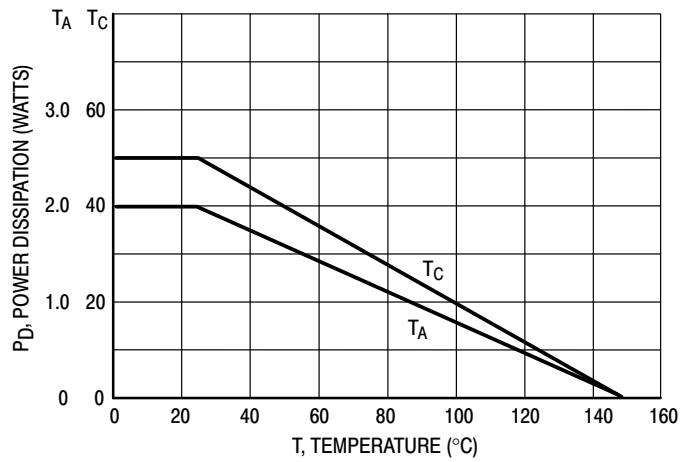
Product parametric performance is indicated in the Electrical Characteristics for the listed test conditions, unless otherwise noted. Product performance may not be indicated by the Electrical Characteristics if operated under different conditions.

1. Pulse Test: Pulse Width  $\leq 300\ \mu\text{s}$ , Duty Cycle  $\leq 2\%$ .

**TIP110, TIP111, TIP112 (NPN); TIP115, TIP116, TIP117 (PNP)**

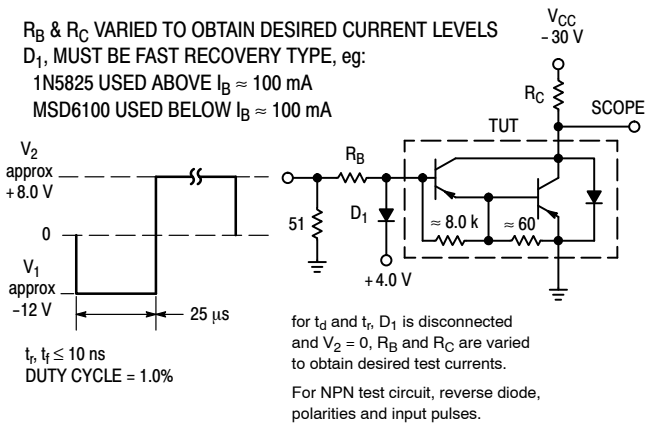


**Figure 1. Darlington Circuit Schematic**

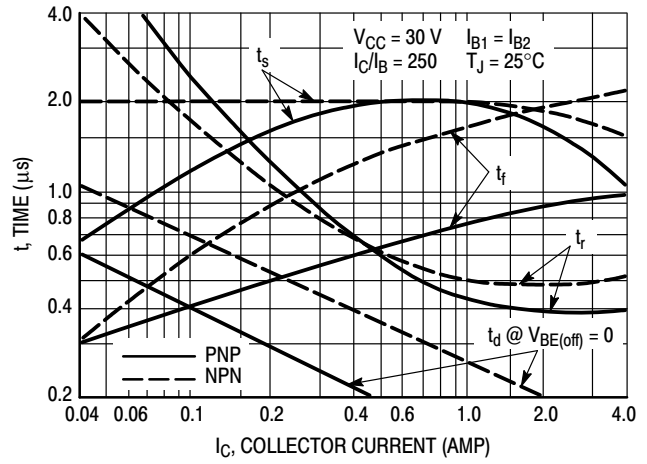


**Figure 2. Power Derating**

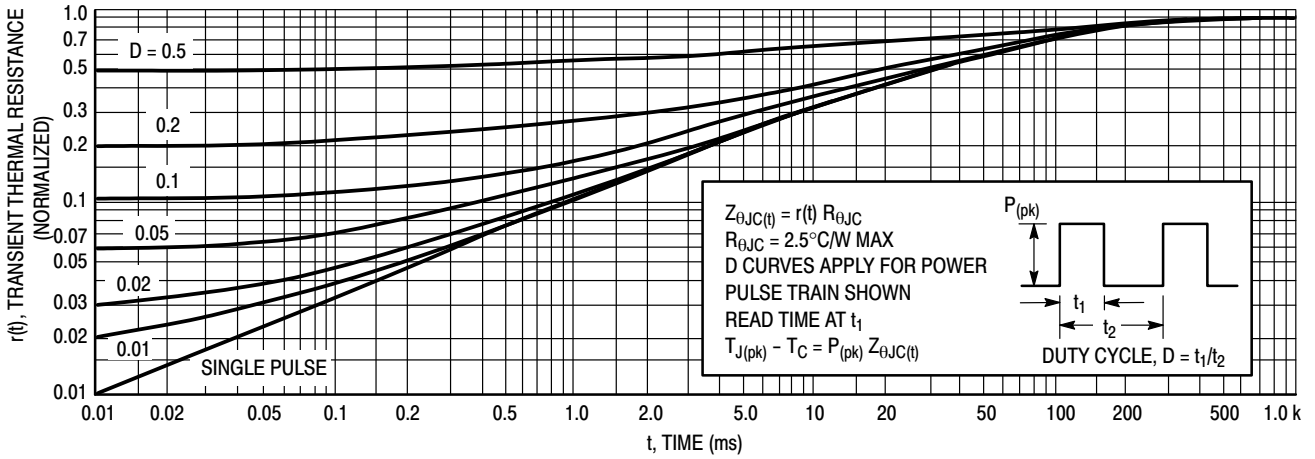
**TIP110, TIP111, TIP112 (NPN); TIP115, TIP116, TIP117 (PNP)**



**Figure 3. Switching Times Test Circuit**



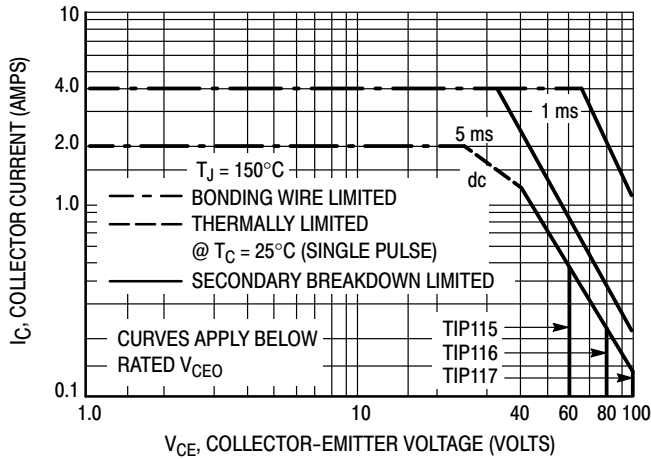
**Figure 4. Switching Times**



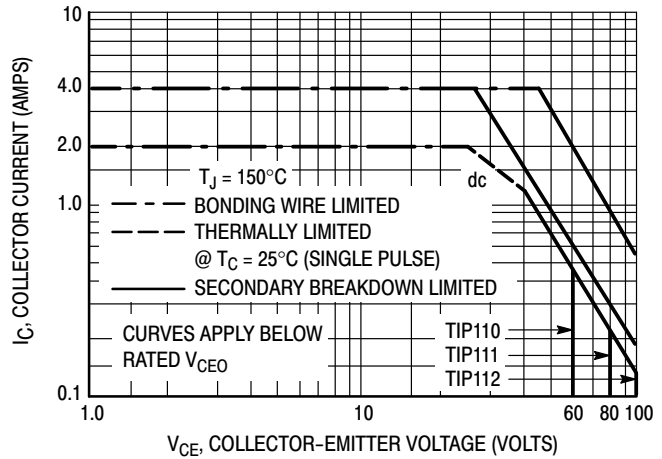
**Figure 5. Thermal Response**

**TIP110, TIP111, TIP112 (NPN); TIP115, TIP116, TIP117 (PNP)**

**ACTIVE-REGION SAFE-OPERATING AREA**



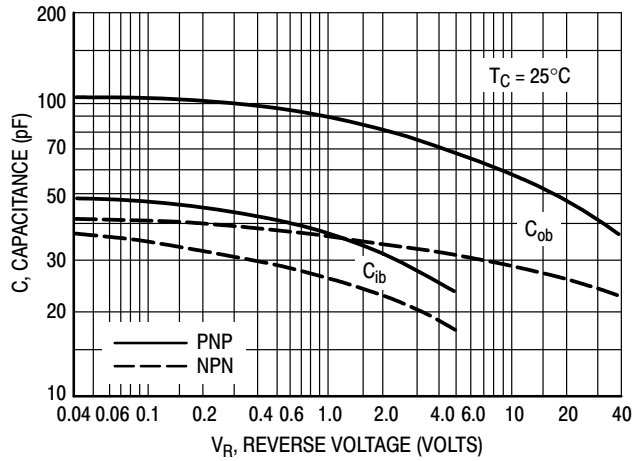
**Figure 6. TIP115, 116, 117**



**Figure 7. TIP110, 111, 112**

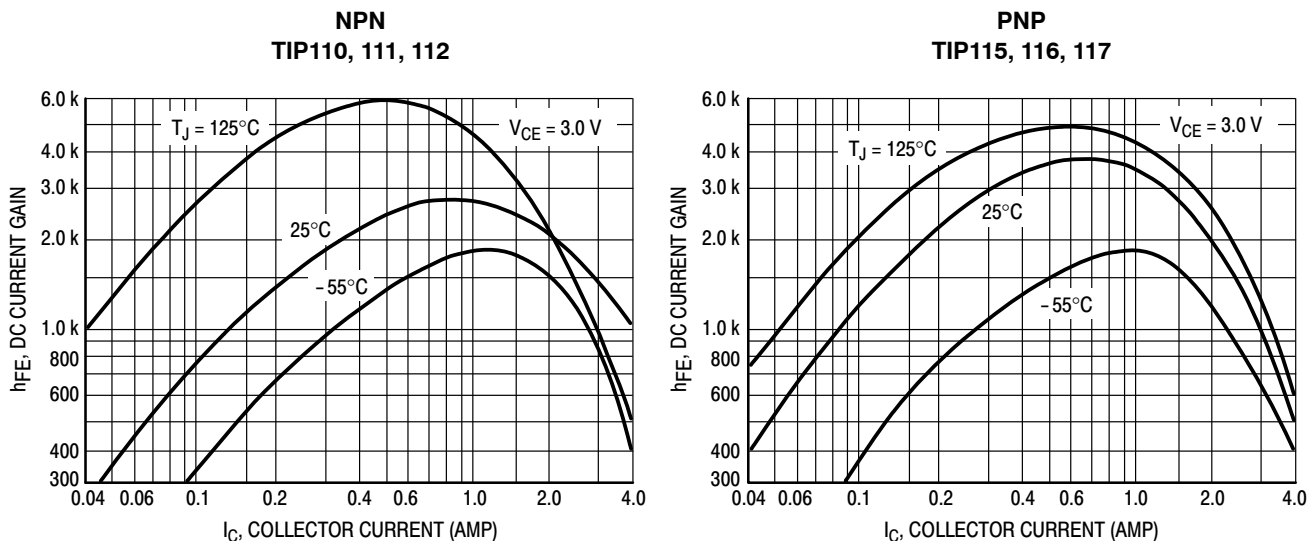
There are two limitations on the power handling ability of a transistor: average junction temperature and second breakdown. Safe operating area curves indicate  $I_C - V_{CE}$  limits of the transistor that must be observed for reliable operation; i.e., the transistor must not be subjected to greater dissipation than the curves indicate.

The data of Figures 6 and 7 is based on  $T_{J(pk)} = 150^\circ\text{C}$ ;  $T_C$  is variable depending on conditions. Second breakdown pulse limits are valid for duty cycles to 10% provided  $T_{J(pk)} < 150^\circ\text{C}$ .  $T_{J(pk)}$  may be calculated from the data in Figure 5. At high case temperatures, thermal limitations will reduce the power that can be handled to values less than the limitations imposed by second breakdown.

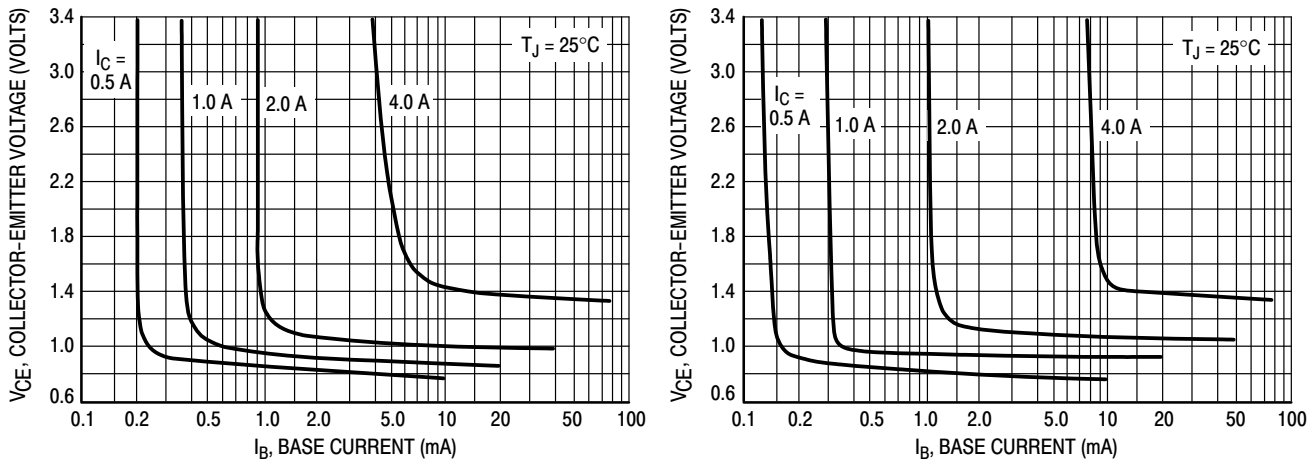


**Figure 8. Capacitance**

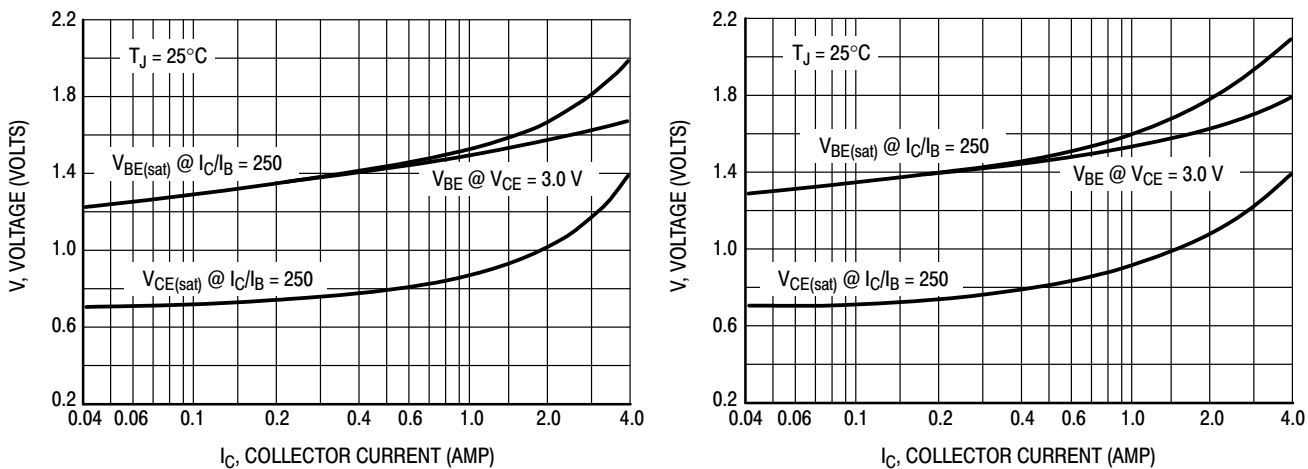
**TIP110, TIP111, TIP112 (NPN); TIP115, TIP116, TIP117 (PNP)**



**Figure 9. DC Current Gain**



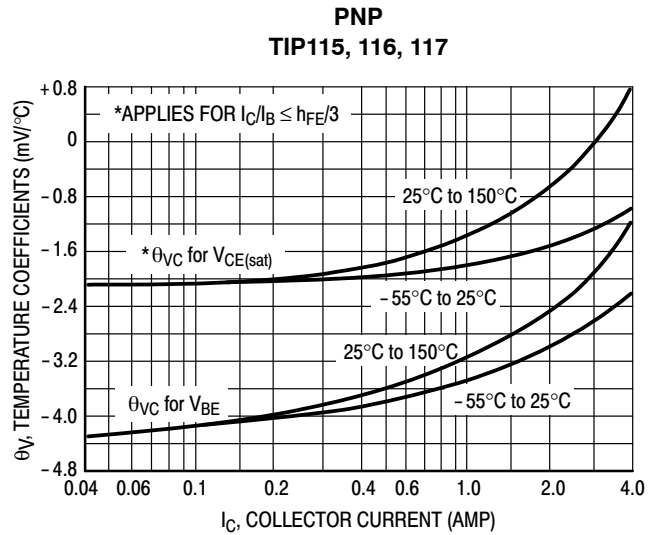
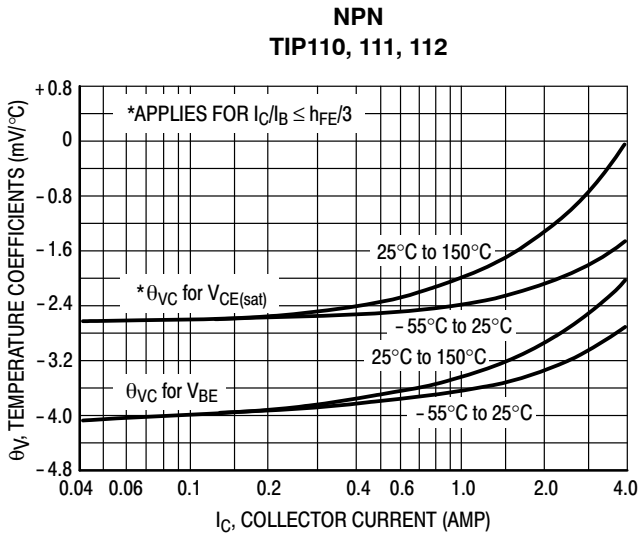
**Figure 10. Collector Saturation Region**



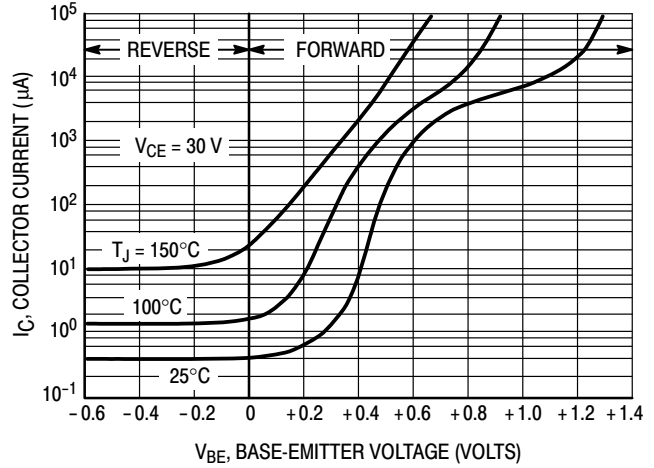
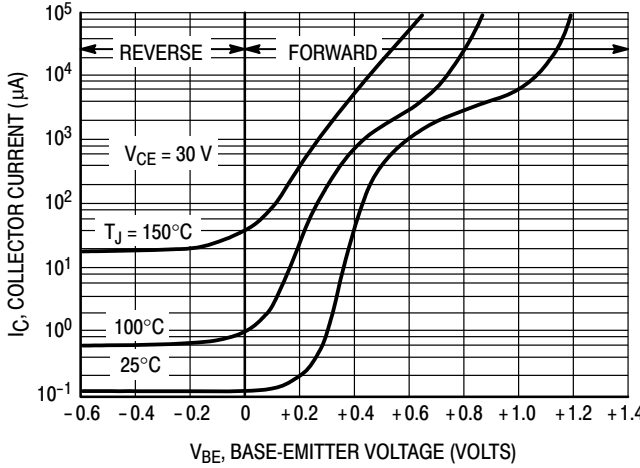
**Figure 11. "On" Voltages**



**TIP110, TIP111, TIP112 (NPN); TIP115, TIP116, TIP117 (PNP)**

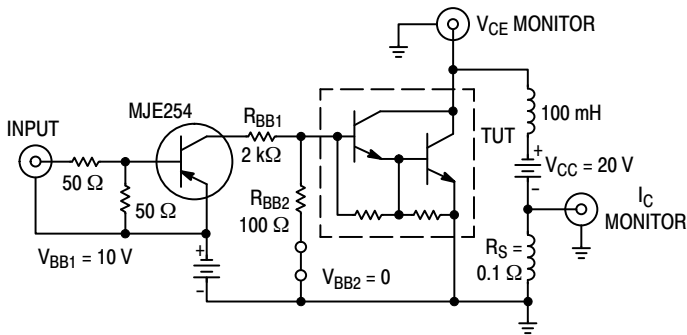


**Figure 12. Temperature Coefficients**



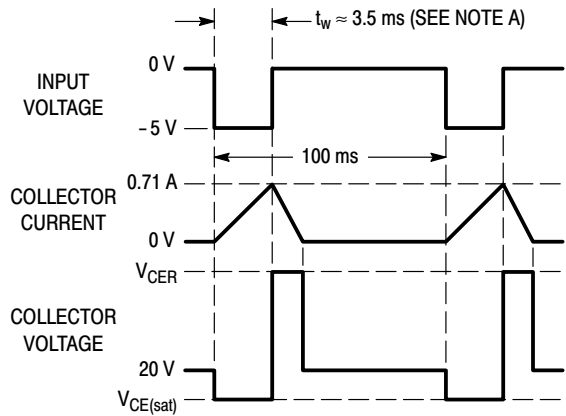
**Figure 13. Collector Cut-Off Region**

**TEST CIRCUIT**



Note A: Input pulse width is increased until  $I_{CM} = 0.71$  A, NPN test shown; for PNP test reverse all polarity and use MJE224 driver.

**VOLTAGE AND CURRENT WAVEFORMS**



**Figure 14. Inductive Load Switching**

**TIP110, TIP111, TIP112 (NPN); TIP115, TIP116, TIP117 (PNP)****ORDERING INFORMATION**

Device	Package	Shipping
TIP110G	TO-220 (Pb-Free)	50 Units / Rail
TIP111G	TO-220 (Pb-Free)	50 Units / Rail
TIP112G	TO-220 (Pb-Free)	50 Units / Rail
TIP115G	TO-220 (Pb-Free)	50 Units / Rail
TIP117G	TO-220 (Pb-Free)	50 Units / Rail

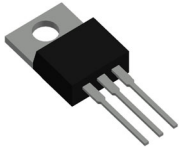
**DISCONTINUED** (Note 2)

TIP110	TO-220	50 Units / Rail
TIP111	TO-220	50 Units / Rail
TIP112	TO-220	50 Units / Rail
TIP115	TO-220	50 Units / Rail
TIP116	TO-220	50 Units / Rail
TIP117	TO-220	50 Units / Rail
TIP116G	TO-220 (Pb-Free)	50 Units / Rail

2. **DISCONTINUED:** These devices are not recommended for new design. Please contact your **onsemi** representative for information. The most current information on these devices may be available on [www.onsemi.com](http://www.onsemi.com).

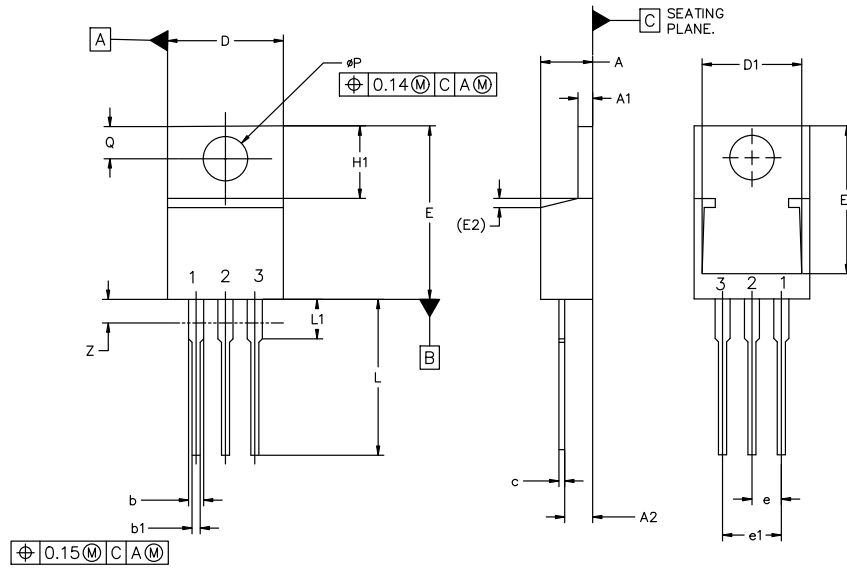


**MECHANICAL CASE OUTLINE**  
**PACKAGE DIMENSIONS**



**TO-220-3 10.10x15.12x4.45, 2.54P**  
**CASE 221A**  
**ISSUE AL**

DATE 05 FEB 2025



$\phi$  0.15 (M) C A (M)

MILLIMETERS			
DIM	MIN	NOM	MAX
A	4.07	4.45	4.83
A1	1.15	1.28	1.41
A2	2.04	2.42	2.79
b	1.15	1.34	1.52
b1	0.64	0.80	0.96
c	0.36	0.49	0.61
D	9.66	10.10	10.53
D1	8.43	8.63	8.83
E	14.48	15.12	15.75
E1	12.58	12.78	12.98
E2	1.27 REF		

MILLIMETERS			
DIM	MIN	NOM	MAX
e	2.42	2.54	2.66
e1	4.83	5.08	5.33
H1	5.97	6.22	6.47
L	12.70	13.49	14.27
L1	2.80	3.45	4.10
Q	2.54	2.79	3.04
$\phi$ P	3.60	3.85	4.09
Z	---	---	3.48

- NOTES:
1. DIMENSIONING AND TOLERANCING PER ASME Y14.5M, 2018.
  2. CONTROLLING DIMENSION: MILLIMETERS.
  3. DIMENSION Z DEFINES A ZONE WHERE ALL BODY AND LEAD IRREGULARITIES ARE ALLOWED.

- |                                                                                  |                                                                                |                                                                             |                                                                                                      |
|----------------------------------------------------------------------------------|--------------------------------------------------------------------------------|-----------------------------------------------------------------------------|------------------------------------------------------------------------------------------------------|
| <p>STYLE 1:<br/>PIN 1. BASE<br/>2. COLLECTOR<br/>3. EMITTER<br/>4. COLLECTOR</p> | <p>STYLE 2:<br/>PIN 1. BASE<br/>2. EMITTER<br/>3. COLLECTOR<br/>4. EMITTER</p> | <p>STYLE 3:<br/>PIN 1. CATHODE<br/>2. ANODE<br/>3. GATE<br/>4. ANODE</p>    | <p>STYLE 4:<br/>PIN 1. MAIN TERMINAL 1<br/>2. MAIN TERMINAL 2<br/>3. GATE<br/>4. MAIN TERMINAL 2</p> |
| <p>STYLE 5:<br/>PIN 1. GATE<br/>2. DRAIN<br/>3. SOURCE<br/>4. DRAIN</p>          | <p>STYLE 6:<br/>PIN 1. ANODE<br/>2. CATHODE<br/>3. ANODE<br/>4. CATHODE</p>    | <p>STYLE 7:<br/>PIN 1. CATHODE<br/>2. ANODE<br/>3. CATHODE<br/>4. ANODE</p> | <p>STYLE 8:<br/>PIN 1. CATHODE<br/>2. ANODE<br/>3. EXTERNAL TRIP/DELAY<br/>4. ANODE</p>              |
| <p>STYLE 9:<br/>PIN 1. GATE<br/>2. COLLECTOR<br/>3. EMITTER<br/>4. COLLECTOR</p> | <p>STYLE 10:<br/>PIN 1. GATE<br/>2. SOURCE<br/>3. DRAIN<br/>4. SOURCE</p>      | <p>STYLE 11:<br/>PIN 1. DRAIN<br/>2. SOURCE<br/>3. GATE<br/>4. SOURCE</p>   | <p>STYLE 12:<br/>PIN 1. MAIN TERMINAL 1<br/>2. MAIN TERMINAL 2<br/>3. GATE<br/>4. NOT CONNECTED</p>  |

<b>DOCUMENT NUMBER:</b>	<b>98ASB42148B</b>	Electronic versions are uncontrolled except when accessed directly from the Document Repository. Printed versions are uncontrolled except when stamped "CONTROLLED COPY" in red.
<b>DESCRIPTION:</b>	<b>TO-220-3 10.10x15.12x4.45, 2.54P</b>	<b>PAGE 1 OF 1</b>

onsemi and ONSEMI are trademarks of Semiconductor Components Industries, LLC dba onsemi or its subsidiaries in the United States and/or other countries. onsemi reserves the right to make changes without further notice to any products herein. onsemi makes no warranty, representation or guarantee regarding the suitability of its products for any particular purpose, nor does onsemi assume any liability arising out of the application or use of any product or circuit, and specifically disclaims any and all liability, including without limitation special, consequential or incidental damages. onsemi does not convey any license under its patent rights nor the rights of others.

**onsemi**, **Onsemi**, and other names, marks, and brands are registered and/or common law trademarks of Semiconductor Components Industries, LLC dba "**onsemi**" or its affiliates and/or subsidiaries in the United States and/or other countries. **onsemi** owns the rights to a number of patents, trademarks, copyrights, trade secrets, and other intellectual property. A listing of **onsemi**'s product/patent coverage may be accessed at [www.onsemi.com/site/pdf/Patent-Marking.pdf](http://www.onsemi.com/site/pdf/Patent-Marking.pdf). **onsemi** reserves the right to make changes at any time to any products or information herein, without notice. The information herein is provided "as-is" and **onsemi** makes no warranty, representation or guarantee regarding the accuracy of the information, product features, availability, functionality, or suitability of its products for any particular purpose, nor does **onsemi** assume any liability arising out of the application or use of any product or circuit, and specifically disclaims any and all liability, including without limitation special, consequential or incidental damages. Buyer is responsible for its products and applications using **onsemi** products, including compliance with all laws, regulations and safety requirements or standards, regardless of any support or applications information provided by **onsemi**. "Typical" parameters which may be provided in **onsemi** data sheets and/or specifications can and do vary in different applications and actual performance may vary over time. All operating parameters, including "Typicals" must be validated for each customer application by customer's technical experts. **onsemi** does not convey any license under any of its intellectual property rights nor the rights of others. **onsemi** products are not designed, intended, or authorized for use as a critical component in life support systems or any FDA Class 3 medical devices or medical devices with a same or similar classification in a foreign jurisdiction or any devices intended for implantation in the human body. Should Buyer purchase or use **onsemi** products for any such unintended or unauthorized application, Buyer shall indemnify and hold **onsemi** and its officers, employees, subsidiaries, affiliates, and distributors harmless against all claims, costs, damages, and expenses, and reasonable attorney fees arising out of, directly or indirectly, any claim of personal injury or death associated with such unintended or unauthorized use, even if such claim alleges that **onsemi** was negligent regarding the design or manufacture of the part. **onsemi** is an Equal Opportunity/Affirmative Action Employer. This literature is subject to all applicable copyright laws and is not for resale in any manner.

#### ADDITIONAL INFORMATION

**TECHNICAL PUBLICATIONS:**

Technical Library: [www.onsemi.com/design/resources/technical-documentation](http://www.onsemi.com/design/resources/technical-documentation)  
onsemi Website: [www.onsemi.com](http://www.onsemi.com)

**ONLINE SUPPORT:** [www.onsemi.com/support](http://www.onsemi.com/support)

For additional information, please contact your local Sales Representative at [www.onsemi.com/support/sales](http://www.onsemi.com/support/sales)



## OUR CERTIFICATE

DiGi provide top-quality products and perfect service for customer worldwide through standardization, technological innovation and continuous improvement. DiGi through third-party certification, we stricly control the quality of products and services. Welcome your RFQ to

Email: [Info@DiGi-Electronics.com](mailto:Info@DiGi-Electronics.com)



Tel: +00 852-30501935

RFQ Email: [Info@DiGi-Electronics.com](mailto:Info@DiGi-Electronics.com)

DiGi is a global authorized distributor of electronic components.