

# 3-124-658 Datasheet



DiGi Electronics Part Number	3-124-658-DG
Manufacturer	<a href="#">SCHURTER Inc.</a>
Manufacturer Product Number	3-124-658
Description	TA45 CIRCUIT BREAKER 2P RO 9A
Detailed Description	Circuit Breaker AC DC

<https://www.DiGi-Electronics.com>



Tel: +00 852-30501935

RFQ Email: [Info@DiGi-Electronics.com](mailto:Info@DiGi-Electronics.com)

DiGi is a global authorized distributor of electronic components.

## Purchase and inquiry

Manufacturer Product Number:

3-124-658

Series:

-

Manufacturer:

SCHURTER Inc.

Product Status:

Active

## Environmental & Export classification

RoHS Status:

ROHS3 Compliant

Moisture Sensitivity Level (MSL):

Not Applicable

Circuit Breaker for Equipment thermal, 2 pole, Rocker actuation



Basic type



With auxiliary contact



With undervoltage protection

See below:

[Approvals and Compliances](#)

**Description**

- Thermal circuit breaker
- 1 or 2 pole thermal overload protection
- Positively trip-free release
- High configurability
- Rocker non-illuminated or illuminated
- Snap-in version
- Quick connect terminal 6.3 x 0.8 mm or screw clamp terminal M3.5 x 6 mm (lineside P1, P2)

**Applications**

- Power tools
- Industrial appliances
- Power supplies
- Equipment for construction
- Cleaning equipment

**Weblinks**

[pdf data sheet](#), [html datasheet](#), [General Product Information](#), [Distributor-Stock-Check](#), [Detailed request for product](#), [Product News](#)

**Technical Data**

Rated Voltage AC	240 VAC
Rated Voltage DC	60 VDC
Rated current range AC	0.05 - 20 A
Conditional short circuit capacity I <sub>nc</sub>	IEC 60934: PC1, AC 240 V: 1 kA
Short circuit capacity I <sub>cn</sub>	IEC 60934: At I <sub>n</sub> < 3 A/ 240 VAC: 10xI <sub>n</sub> (max. 3 cycles) At I <sub>n</sub> ≥ 3 A/ 240 VAC: 300A (max. 3 cycles) At I <sub>n</sub> < 3 A/ 60 VDC: 10xI <sub>n</sub> (max. 3 cycles) At I <sub>n</sub> ≥ 3 A/ 48 VDC: 120A (max. 3 cycles)
Degree of Protection	front side IP40 acc. to IEC 60529 With factory mounted protection cover IP54
Dielectric Strength	4 kVAC
Insulation Resistance	500VDC > 100 MΩ
Lifetime	mechanical: 50'000 switching cycles AC: 1 x I <sub>r</sub> : 50'000 switching cycles DC: 1 x I <sub>r</sub> : 50'000 switching cycles

Overload	AC: min. 40trips @ 6 x I <sub>r</sub> DC: min. 40trips @ 4 x I <sub>r</sub>
Allowable Operation Temp.	-10 °C to 55 °C
Storage Temperature	-10 °C to 55 °C
Vibration Resistance	± 0.75 mm @ 5 - 60 Hz acc. to IEC 60068-2-6, test Fc 10 G @ 60 - 500 Hz acc. to IEC 60068-2-6, test Fc
Shock Resistance	30 G / 18ms acc. to IEC 60068-2-27, test Ea
Tripping Type	Thermal
Actuation Type	Rocker
Weight	30 g - 50 g




**Approvals and Compliances**

Detailed information on product approvals, code requirements, usage instructions and detailed test conditions can be looked up in [Details about Approvals](#)

SCHURTER products are designed for use in industrial environments. They have approvals from independent testing bodies according to national and international standards. Products with specific characteristics and requirements such as required in the automotive sector according to IATF 16949, medical technology according to ISO 13485 or in the aerospace industry can be offered exclusively with customer-specific, individual agreements by SCHURTER.




## Approvals

The approval mark is used by the testing authorities to certify compliance with the safety requirements placed on electronic products.  
 Approval Reference Type: TA45

Approval Logo	Certificates	Certification Body	Description
	<a href="#">VDE Approvals</a>	VDE	VDE Certificate Number: 40019880
	<a href="#">UL Approvals</a>	UL	UR File Number: E71572
	<a href="#">CCC Approvals</a>	CCC	CCC Certificate Number: 2024010307710411


## Product standards

Product standards that are referenced

Organization	Design	Standard	Description
	Designed according to	IEC 60934	Circuit-breakers for equipment (CBE)
	Designed according to	UL 1077	Standard for Supplementary Protectors for Use in Electrical Equipment
	Designed according to	CSA C22.2 No. 235	Supplementary Protectors
	Designed according to	GB 17701	Circuit-breaker for equipment





## Application standards

Application standards where the product can be used

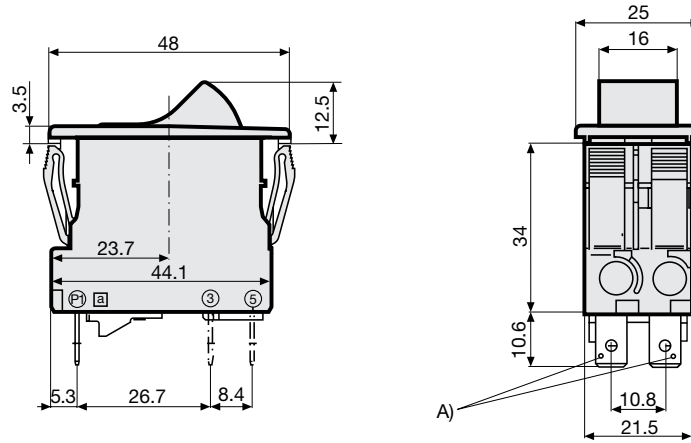
Organization	Design	Standard	Description
	Suitable for applications acc.	IEC/UL 62368-1	Audio/video, information and communication technology equipment - Part 1: Safety requirements

## Compliances

The product complies with following Guide Lines

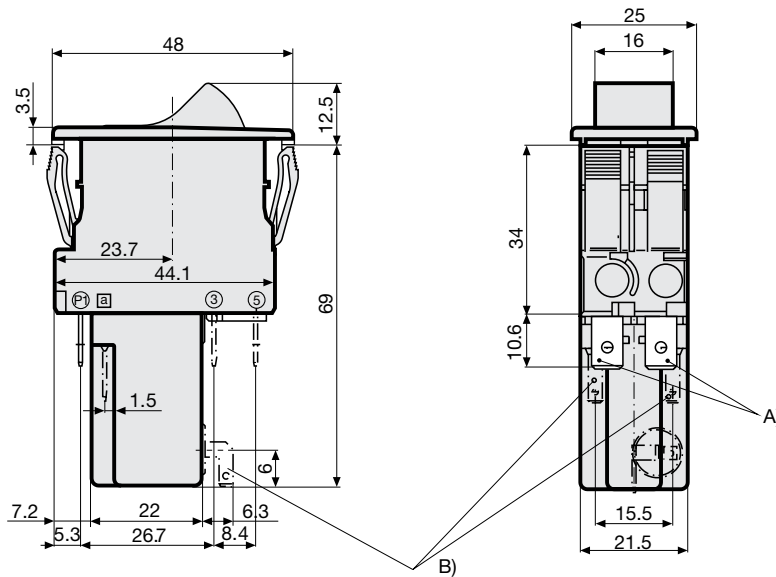
Identification	Details	Initiator	Description
	<a href="#">CE declaration of conformity</a>	SCHURTER AG	The CE marking declares that the product complies with the applicable requirements laid down in the harmonisation of Community legislation on its affixing in accordance with EU Regulation 765/2008.
	<a href="#">RoHS</a>	SCHURTER AG	Directive RoHS 2011/65/EU, Amendment (EU) 2015/863
	<a href="#">China RoHS</a>	SCHURTER AG	The law SJ / T 11363-2006 (China RoHS) has been in force since 1 March 2007. It is similar to the EU directive RoHS.
	<a href="#">REACH</a>	SCHURTER AG	On 1 June 2007, Regulation (EC) No 1907/2006 on the Registration, Evaluation, Authorization and Restriction of Chemicals 1 (abbreviated as "REACH") entered into force.

**Dimension [mm]**  
 Quick connect terminal



A) Quick connect terminal, IEC 61210, A6.3-0.8 mm

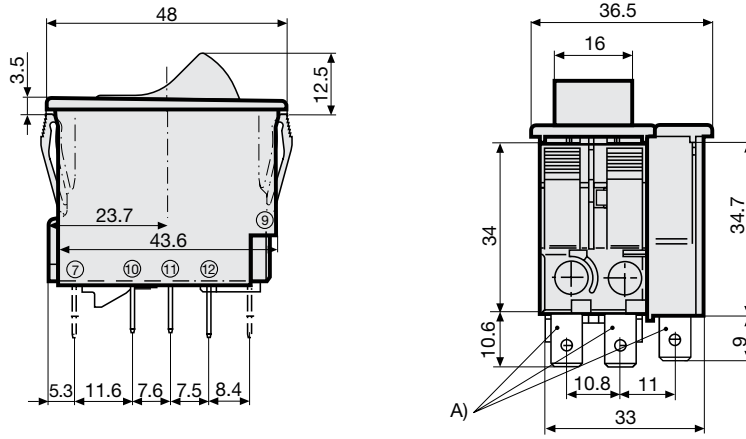
Undervoltage release, remote trip release



A) Quick connect terminal, IEC 61210, A6.3-0.8 mm

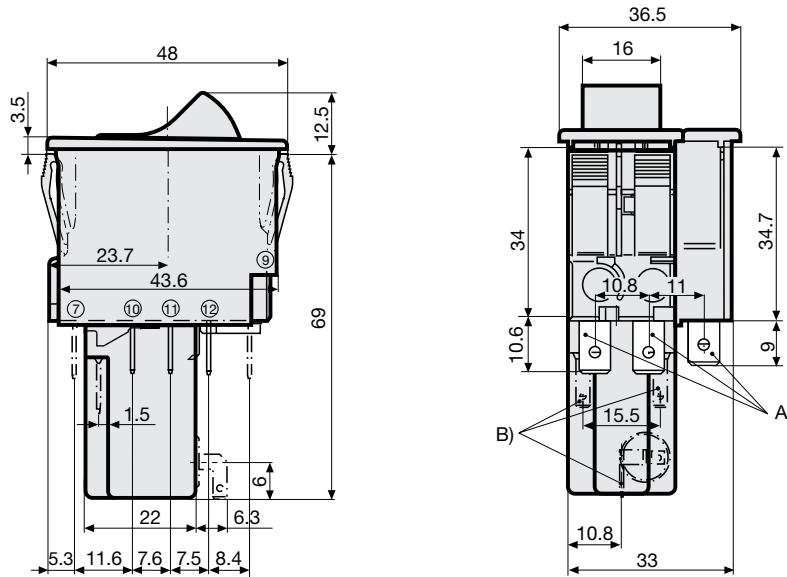
B) Quick connect terminal, IEC 61210, A2.8-0.8 mm

Quick connect terminal with auxiliary contact



A) Quick connect terminal, IEC 61210, A6.3-0.8 mm

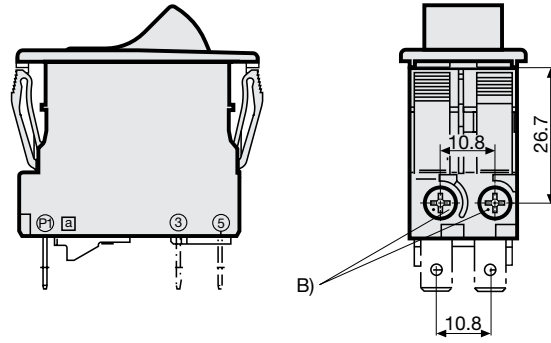
Undervoltage release, remote trip release, auxiliary contact



A) Quick connect terminal, IEC 61210, A6.3-0.8 mm

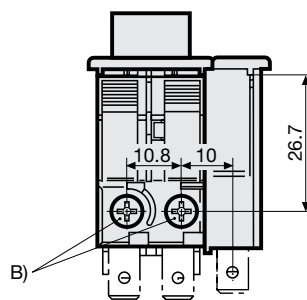
B) Quick connect terminal, IEC 61210, A2.8-0.8 mm

## Screw terminal



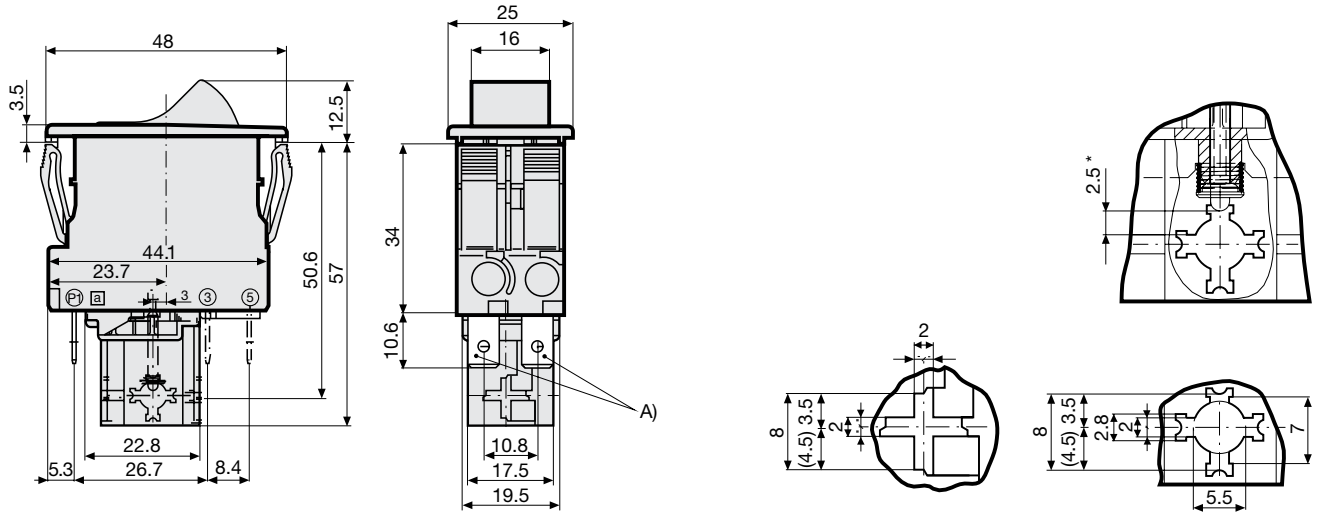
B) Screw type M3, 5x6 (Philips Form H), maximum torque 1 Nm

## Screw clamp terminal with auxiliary contact



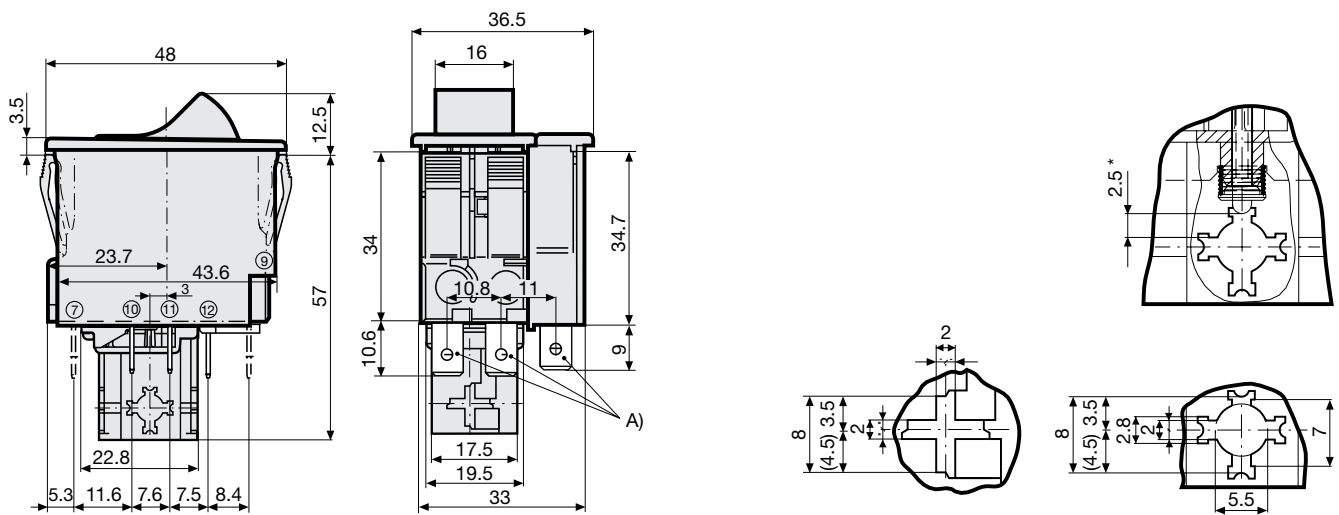
B) Screw type M3, 5x6 (Philips Form H), maximum torque 1 Nm

## Mechanical lock-out latch



A) Quick connect terminal, IEC 61210, A6.3-0.8 mm  
 \*) max. switching stroke

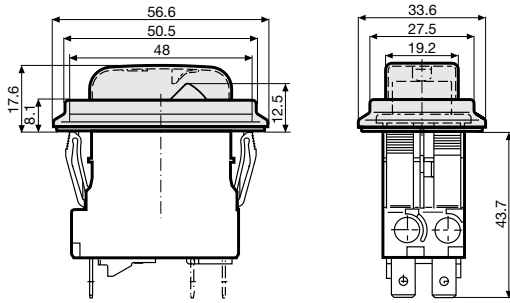
## Mechanical lock-out latch with auxiliary contact



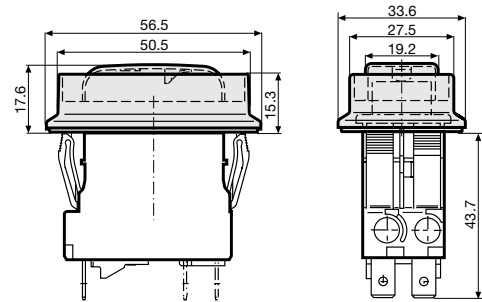
A) Quick connect terminal, IEC 61210, A6.3-0.8 mm  
 \*) max. switching stroke



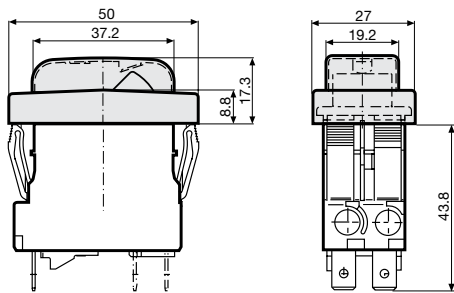
Accessories / factory mounted  
 AZM01 / Collar with cover, IP54



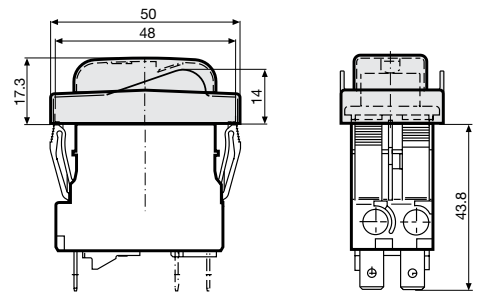
AZM02 / Raised collar with cover, narrow, IP54  
 AZM03 / Raised collar, IP40



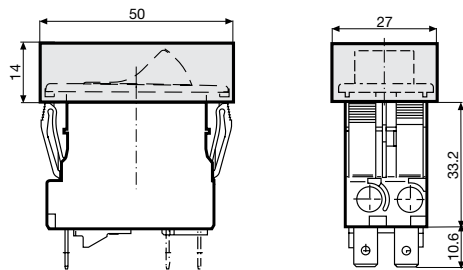
AZM10 / Collar with cover, narrow, IP54



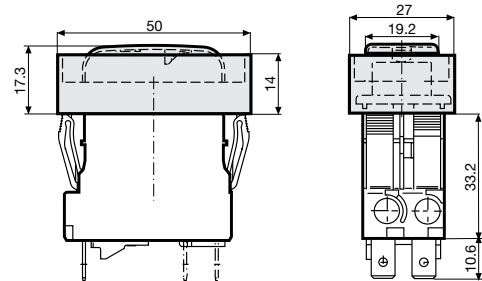
AZM11 / Partially raised collar with cover, narrow, IP54  
 AZM12 / Partially raised collar without cover, narrow, IP40



AZM13 / Raised collar narrow, IP40

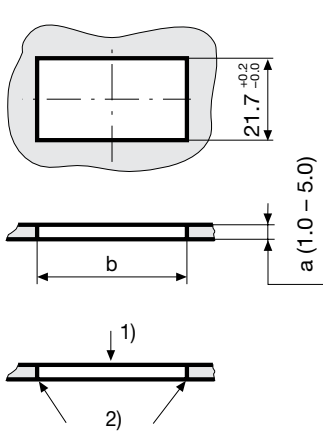


AZM14 / Raised collar with cover narrow, IP54



## Cut-out and pin-out

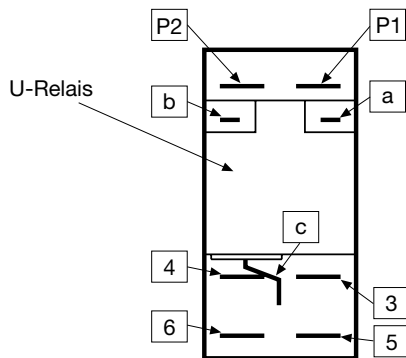
Cut-out snap-in type  
 Basic type



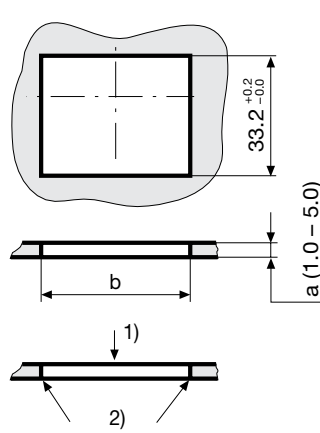
a	b
1.0	44,5...45,0
1.5	44,5...45,0
2.0	44,7...45,2
2.5	44,7...45,2
3.0	44,8...45,3
4.0	44,9...45,4
5.0	45,0...45,5

1) Assemble  
 2) edge must be sharp

Pin-out  
 Basic type



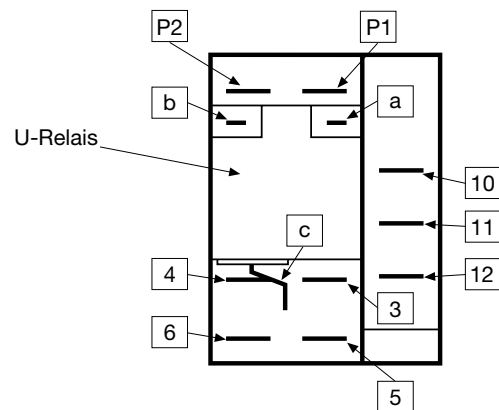
Cut-out snap-in type  
 With auxiliary contact



a	b
1.0	44,5...45,0
1.5	44,5...45,0
2.0	44,7...45,2
2.5	44,7...45,2
3.0	44,8...45,3
4.0	44,9...45,4
5.0	45,0...45,5

1) Assemble  
 2) edge must be sharp

Pin-out  
 With auxiliary contact



## Effect of ambient temperature

The units are calibrated for an ambient temperature of +23°C. To determine the rated current for a lower or higher ambient temperature, use a correction factor (typical value) from the table below:

Ambient Temperature [°C]	Correction factor
-10	0.89
-5	0.91
0	0.92
+23	1.00
+30	1.03
+40	1.08
+55	1.16

Example: With a nominal current of 5A and an ambient temperature of 40°C, a correction factor of 1.08 results. This results in a nominal current of 5.5 A, which is rounded up to the next higher nominal current 6 A.

**Auxiliary contact (changeover)**

Rated Voltage	28 VDC	60 VDC	240 VAC
Rated current	max. 10 A resistive load	max. 2 A resistive load	max. 2 A cos φ 0.7

**Undervoltage release**

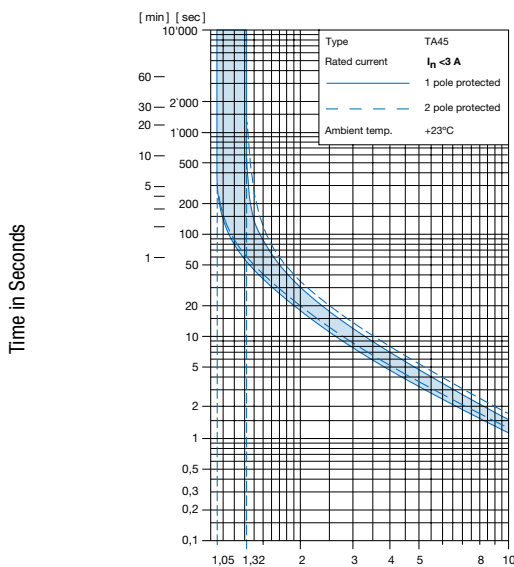
Max. operating voltage	1.1 Ue					
Rated operating voltage Ue	5 V	12 V	24 V	48 V	120 V	240 V
Current consumption (± 10%)	10.5 mA	16.5 mA	17.0 mA	3.2 mA	3.7 mA	3.1 mA
Highest reset level	0.85 Ue	0.85 Ue	0.85 Ue	0.85 Ue	0.85 Ue	0.85 Ue
Lowest trip level	0.20 Ue	0.20 Ue	0.20 Ue	0.20 Ue	0.20 Ue	0.20 Ue
Trip delay	20 ms - 50 ms	20 ms - 50 ms	20 ms - 50 ms	20 ms - 50 ms	20 ms - 50 ms	20 ms - 50 ms
Impulse withstand voltage (1.2 / 50 μs)	≥4 kV	≥4 kV	≥4 kV	≥4 kV	≥4 kV	≥4 kV

**Remote trip**

Permissible impuls duration of the make contact (no)	Between terminal C and P1	unlimited
Electrical load of the make contact (no)	Current max. 12 mA / power max. 1.1 W	

**Time-Current-Curves**

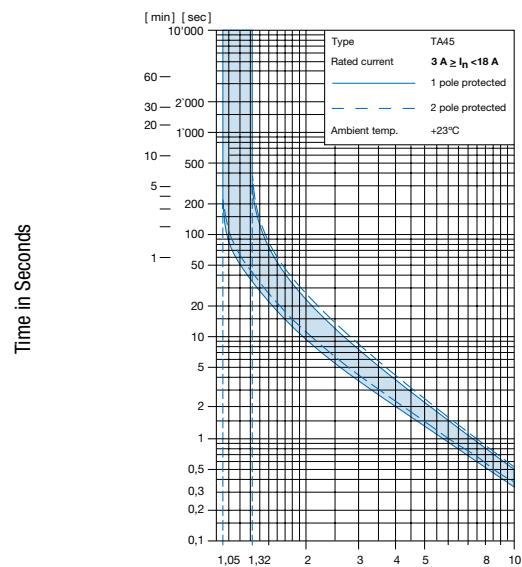
Rated Current  $I_n < 3 A$



Multiple of Rated Current  $I_n$

Ambient temperature +23°

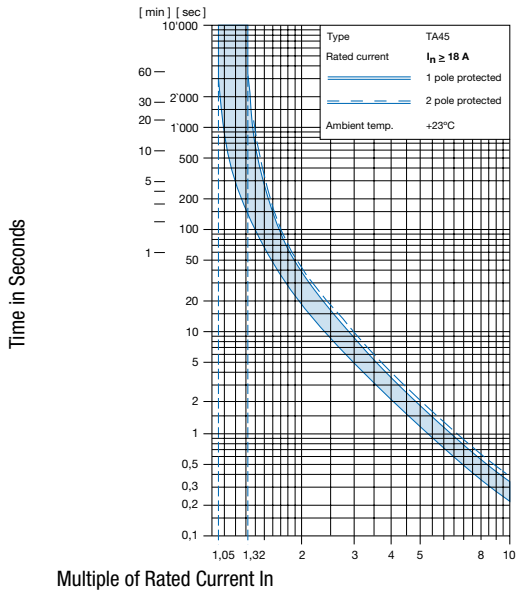
Rated Current  $3 A \geq I_n < 18 A$



Multiple of Rated Current  $I_n$

Ambient temperature +23°

## Rated Current $I_n \geq 18 \text{ A}$



Multiple of Rated Current  $I_n$

Ambient temperature  $+23^\circ$

Order number key

T	A	4	5	-	A	B	T	W	F	2	0	0	U	2	-	7	0	1	-	A	Z	M	0	1	
				<b>1</b>						<b>2</b>	<b>3</b>				<b>4</b>	<b>5</b>				<b>6*</b>					<b>7*</b>

\* These characters are omitted for standard products and serve as placeholder for customised applications.

**Basic function**



1

Auxiliary contact (changeover contact)		
Shunt terminal		
Schematic drawing		
Terminal type	Quick connect terminal Screw terminal (lineside P1,P2)	
Snap-in type		
ON/OFF switch	Without illumination	
	With illumination	220V...240V
		110V...120V
		20V...26V
		10V...13V
4V...7V		
Impulse switch		

1 pole thermal overload protection							
P2 P1		P2 P1		P2 P1 1110		P2 P1 1110	
•		•		•		•	
•	•	•	•	•	•	•	•
•	•	•	•	•	•	•	•
ABT	AHT	ABF	AHF	APT	AST	APF	ASF
A12	A62	A22	A72	AL2	A2L	AM2	A2M
A14	A64	A24	A74	AL4	A4L	AM4	A4M
A17	A67	A27	A77	AL7	A7L	AM7	A7M
A18	A68	A28	A78	AL8	A8L	AM8	A8M
A19	A69	A29	A79	AL9	A9L	AM9	A9M
AET	AJT	AEF	AJF	ART	AUT	ARF	AUF

Auxiliary contact (changeover contact)		
Shunt terminal		
Schematic drawing		
Terminal type	Quick connect terminal Screw terminal (lineside P1,P2)	
Snap-in type		
ON/OFF switch	Without illumination	
	With illumination	220V...240V
		110V...120V
		20V...26V
		10V...13V
4V...7V		
Impulse switch		

2 pole thermal overload protection							
P2 P1		P2 P1		P2 P1 1110		P2 P1 1110	
•		•		•		•	
•	•	•	•	•	•	•	•
•	•	•	•	•	•	•	•
ABD	AHD	ABG	AHG	APD	ASD	APG	ASG
A32	A82	A42	A92	AN2	A2N	AP2	A2P
A34	A84	A44	A94	AN4	A4N	AP4	A4P
A37	A87	A47	A97	AN7	A7N	AP7	A7P
A38	A88	A48	A98	AN8	A8N	AP8	A8P
A39	A89	A49	A99	AN9	A9N	AP9	A9P
AED	AJD	AEG	AJG	ARD	AUD	ARG	AUG

T	A	4	5	-	A	B	T	W	F	2	0	0	U	2	-	7	0	1	-	A	Z	M	0	1

### Front- & Actuation color 🔑 2

Front Bezel	Rocker without illumination	Rocker with illumination	
black	-	clear transparent	= 1
black	-	red transparent	= 3
black	-	green transparent	= 4
black	-	orange transparent	= 6
black	black	-	= B
black	green	-	= G
black	red	-	= R
black	white	-	= W
black	orange	-	= X
black	yellow	-	= Y


### Rocker legend, marking 🔑 3

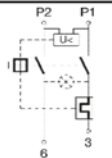
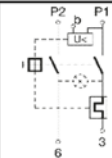
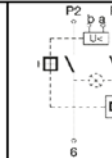
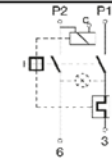
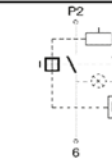
- ○	Embossed	= F						
<table style="font-size: 0.8em; border-collapse: collapse;"> <tr><td style="padding: 0 5px;">Z</td><td style="padding: 0 5px;">U</td></tr> <tr><td style="padding: 0 5px;">○</td><td style="padding: 0 5px;">○</td></tr> </table>	Z	U	○	○	Printed white Printed black	= H = K		
Z	U							
○	○							
- ○	Printed white Printed black	= L = M						
I ○	Printed white Printed black	= P = R						
<table style="font-size: 0.8em; border-collapse: collapse;"> <tr><td style="padding: 0 5px;">Z</td><td style="padding: 0 5px;">-</td><td style="padding: 0 5px;">U</td></tr> <tr><td style="padding: 0 5px;">○</td><td style="padding: 0 5px;">○</td><td style="padding: 0 5px;">○</td></tr> </table>	Z	-	U	○	○	○	Printed white Printed black	= S = T
Z	-	U						
○	○	○						

### Rated Current In [A] 🔑 4


Thermal overload protection								
In	🔑	In	🔑	In	🔑	In	🔑	
0.05 A	=	Z05	1.4 A	=	J14	4.0 A	=	040
0.10 A	=	J01	1.5 A	=	J15	4.2 A	=	042
0.15 A	=	Z15	1.6 A	=	J16	4.4 A	=	044
0.20 A	=	J02	1.7 A	=	J17	4.5 A	=	045
0.25 A	=	Z25	1.8 A	=	J18	4.7 A	=	047
0.30 A	=	J03	1.9 A	=	J19	5.0 A	=	050
0.35 A	=	Z35	2.0 A	=	J20	5.2 A	=	052
0.40 A	=	J04	2.1 A	=	J21	5.5 A	=	055
0.45 A	=	Z45	2.2 A	=	J22	5.7 A	=	057
0.50 A	=	J05	2.3 A	=	J23	6.0 A	=	060
0.60 A	=	J06	2.5 A	=	J25	6.2 A	=	062
0.70 A	=	J07	2.8 A	=	J28	6.5 A	=	065
0.80 A	=	J08	2.9 A	=	J29	7.0 A	=	070
0.90 A	=	J09	3.0 A	=	030	7.1 A	=	071
1.00 A	=	J10	3.2 A	=	032	7.2 A	=	072
1.10 A	=	J11	3.5 A	=	035	7.5 A	=	075
1.20 A	=	J12	3.7 A	=	037	8.0 A	=	080
1.30 A	=	J13	3.8 A	=	038	8.5 A	=	085
						9.0 A	=	090
						9.5 A	=	095
						10.0 A	=	100
						10.5 A	=	105
						11.0 A	=	110
						11.5 A	=	115
						12.0 A	=	120
						12.5 A	=	125
						13.0 A	=	130
						13.5 A	=	135
						14.0 A	=	140
						14.5 A	=	145
						15.0 A	=	150
						16.0 A	=	160
						17.0 A	=	170
						18.0 A	=	180
						19.0 A	=	190
						20.0 A	=	200

T	A	4	5	-	A	B	T	W	F	2	0	0	U	2	-	7	0	1	-	A	Z	M	0	1														
				1					2					3					4					5					6*					7*				

**Undervoltage release, Remote trip release, Mechanical lock-out latch**  **5**

Rated voltage	Undervoltage release			Remote trip release	Mechanical lock-out latch	Without release or mechanical lock-out latch
						
<b>AC (V)</b>						
240	U2	E2	Z2	A2	S0	C0
230	U3	E3	Z3	A3		
120	U4	E4	Z4	A4		
<b>AC/DC (V)</b>						
48	U6	E6	Z6	A6		
24	U7	E7	Z7	A7		
12	U8	E8	Z8	A8		
5	U9	E9	Z9			

\* Schematic drawings: 1-pole protected version shown only

**Special marking**  **6**

Standard = (empty)  
 Special marking (XXX = placeholder) = XXX

T	A	4	5	-	A	B	T	W	F	2	0	0	U	2	-	7	0	1	-	A	Z	M	0	1
					1	2	3	4	5						6*	7*								

### Accessories, factory-mounted (optional)

 **7**

Please note: factory-mounted accessories are only available for configurations without auxiliary contact.

Without accessory = (empty)

Collar with cover, IP54



= AZM01

Raised collar with cover, IP54



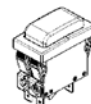
= AZM02

Raised collar, IP40



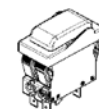
= AZM03

Raised collar with cover narrow, IP54



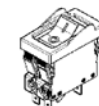
= AZM10

Partially raised collar with cover, narrow, IP54



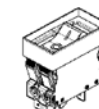
= AZM11

Partially raised collar without cover, narrow, IP40



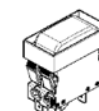
= AZM12

Raised collar narrow, IP40



= AZM13

Raised collar with cover, narrow, IP54



= AZM14

### Accessories

Description



[TA45-ACC](#)  
Accessories to TA45



## OUR CERTIFICATE

DiGi provide top-quality products and perfect service for customer worldwide through standardization, technological innovation and continuous improvement. DiGi through third-party certification, we stricly control the quality of products and services. Welcome your RFQ to

Email: [Info@DiGi-Electronics.com](mailto:Info@DiGi-Electronics.com)



Tel: +00 852-30501935

RFQ Email: [Info@DiGi-Electronics.com](mailto:Info@DiGi-Electronics.com)

DiGi is a global authorized distributor of electronic components.