

GP2D120 Datasheet



DiGi Electronics Part Number	GP2D120-DG
Manufacturer	Sharp Microelectronics
Manufacturer Product Number	GP2D120
Description	SENSOR OPTICAL 4-30CM ANALOG
Detailed Description	Optical Sensor 1.57" ~ 11.81" (4 ~ 30cm) Analog Output

<https://www.DiGi-Electronics.com>

This model GP2D120 is available at DiGi Electronics.

DiGi Electronics offers a global database of semiconductor and electronic component datasheets.

We welcome your inquiries regarding pricing, lead time, or other product-related questions.

 [Request a Quote](#)

 [Datasheet Search](#)



Tel: +00 852-30501935

RFQ Email: Info@DiGi-Electronics.com

DiGi is a global authorized distributor of electronic components.

Purchase and inquiry

Manufacturer Product Number:

GP2D120

Series:

-

Sensing Distance:

1.57" ~ 11.81" (4 ~ 30cm)

Voltage - Supply:

4.5V ~ 5.5V

Voltage - Output Difference (Typ) @ Distance:

2.25V @ 4 ~ 30cm

Operating Temperature:

-10°C ~ 60°C (TA)

Manufacturer:

Sharp Microelectronics

Product Status:

Obsolete

Output Type:

Analog

Current - Supply:

50 mA

Voltage - Output (Typ) @ Distance:

400mV @ 30cm

Environmental & Export classification

RoHS Status:

RoHS non-compliant

ECCN:

EAR99

Moisture Sensitivity Level (MSL):

1 (Unlimited)

HTSUS:

9031.80.8085

SHARP

GP2D120

Optoelectronic Device

FEATURES

- Analog output
- Effective range: 4 to 30 cm
- Typical response time: 39 ms
- Typical start up delay: 44 ms
- Average Current Consumption: 33 mA

DESCRIPTION

The GP2D120 is a distance measuring sensor with integrated signal processing and analog voltage output.

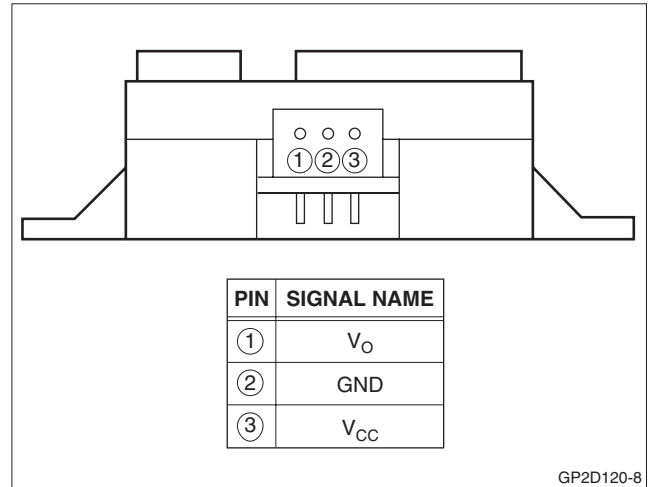


Figure 1. Pinout

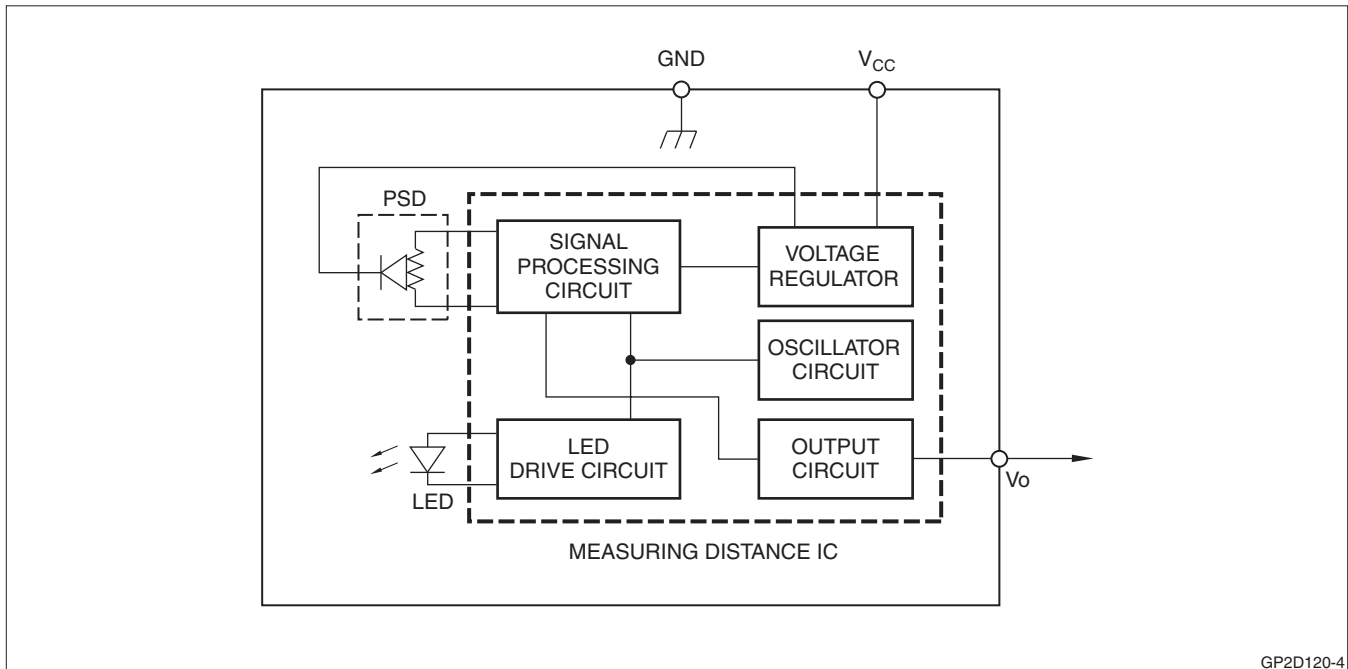


Figure 2. Block Diagram

ELECTRICAL SPECIFICATIONS

Absolute Maximum Ratings

$T_a = 25^\circ\text{C}$, $V_{CC} = 5\text{ VDC}$

PARAMETER	SYMBOL	RATING	UNIT
Supply Voltage	V_{CC}	-0.3 to +7	V
Output Terminal Voltage	V_O	-0.3 to ($V_{CC} + 0.3$)	V
Operating Temperature	T_{opr}	-10 to +60	$^\circ\text{C}$
Storage Temperature	T_{stg}	-40 to +70	$^\circ\text{C}$

Operating Supply Voltage

PARAMETER	SYMBOL	RATING	UNIT
Operating Supply Voltage	V_{CC}	4.5 to 5.5	V

Electro-optical Characteristics

$T_a = 25^\circ\text{C}$, $V_{CC} = 5\text{ VDC}$

PARAMETER	SYMBOL	CONDITIONS	MIN.	TYP.	MAX.	UNIT	NOTES
Measuring Distance Range	ΔL		4	—	30	cm	1, 2
Output Terminal Voltage	V_O	$L = 30\text{ cm}$	0.25	0.4	0.55	V	1, 2
Output Voltage Difference	ΔV_O	Output change at ΔL (30 cm – 4 cm)	1.95	2.25	2.55	V	1, 2
Average Supply Current	I_{CC}	$L = 30\text{ cm}$	—	33	50	mA	1, 2

NOTES:

- Measurements made with Kodak R-27 Gray Card, using the white side, (90% reflectivity).
- L = Distance to reflective object.

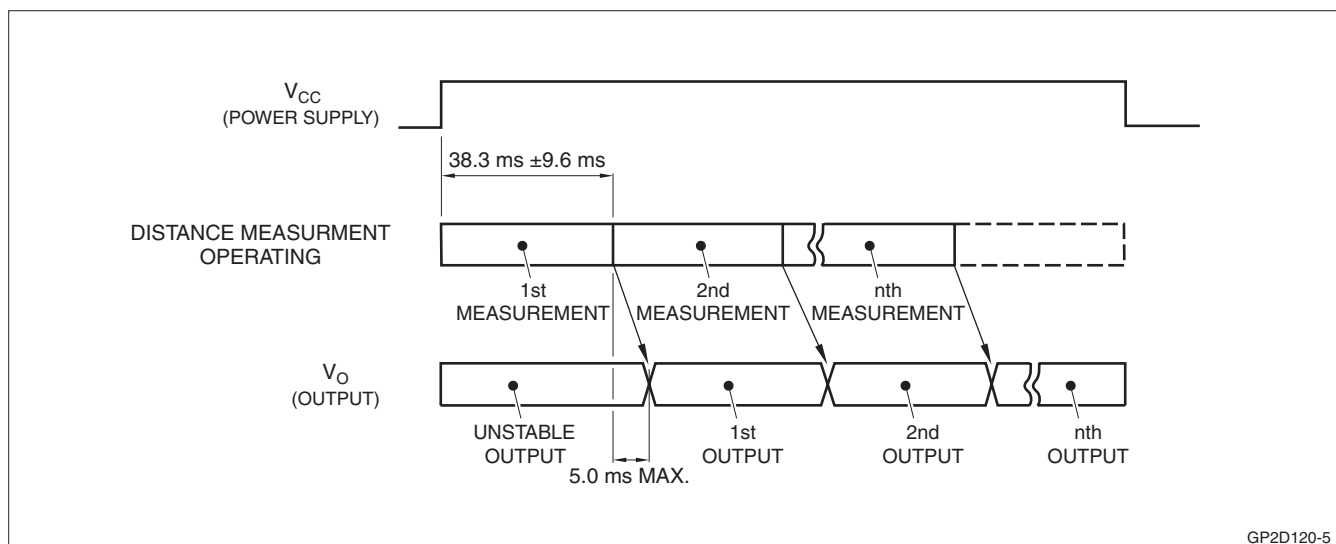


Figure 3. Timing Diagram

GP2D120-5

RELIABILITY

The reliability of requirements of this device are listed in Table 1.

Table 1. Reliability

TEST ITEMS	TEST CONDITIONS	FAILURE JUDGEMENT CRITERIA	SAMPLES (n), DEFECTIVE (C)	NOTES
Temperature Cycling	One cycle -40°C (30 min.) to +70°C in 30 minutes, repeated 25 times	Initial $\times 0.8 > V_O$ $V_O > \text{Initial} \times 1.2$	n = 11, C = 0	1
High Temperature and High Humidity Storage	+40°C, 90% RH, 500h		n = 11, C = 0	1
High Temperature Storage	+70°C, 500h		n = 11, C = 0	1
Low Temperature Storage	-40°C, 500h		n = 11, C = 0	1
Operational Life (High Temperature)	+60°C, $V_{CC} = 5\text{ V}$, 500h		n = 11, C = 0	1
Mechanical Shock	100 m/s ² , 6.0 ms 3 times/ $\pm X$, $\pm Y$, $\pm Z$ direction		n = 6, C = 0	1
Variable Frequency Vibration	10-to-55-to-10 Hz in 1 minute Amplitude: 1.5 mm 2h in each X, Y, Z direction		n = 6, C = 0	1

NOTES:

1. Test conditions are according to Electro-optical Characteristics, shown on page 2.
2. At completion of the test, allow device to remain at nominal room temperature and humidity (non-condensing) for two hours.
3. Confidence level: 90%, Lot Tolerance Percent Defect (LTPD): 20%/40%.

MANUFACTURER'S INSPECTION

Inspection Lot

Inspection shall be carried out per each delivery lot.

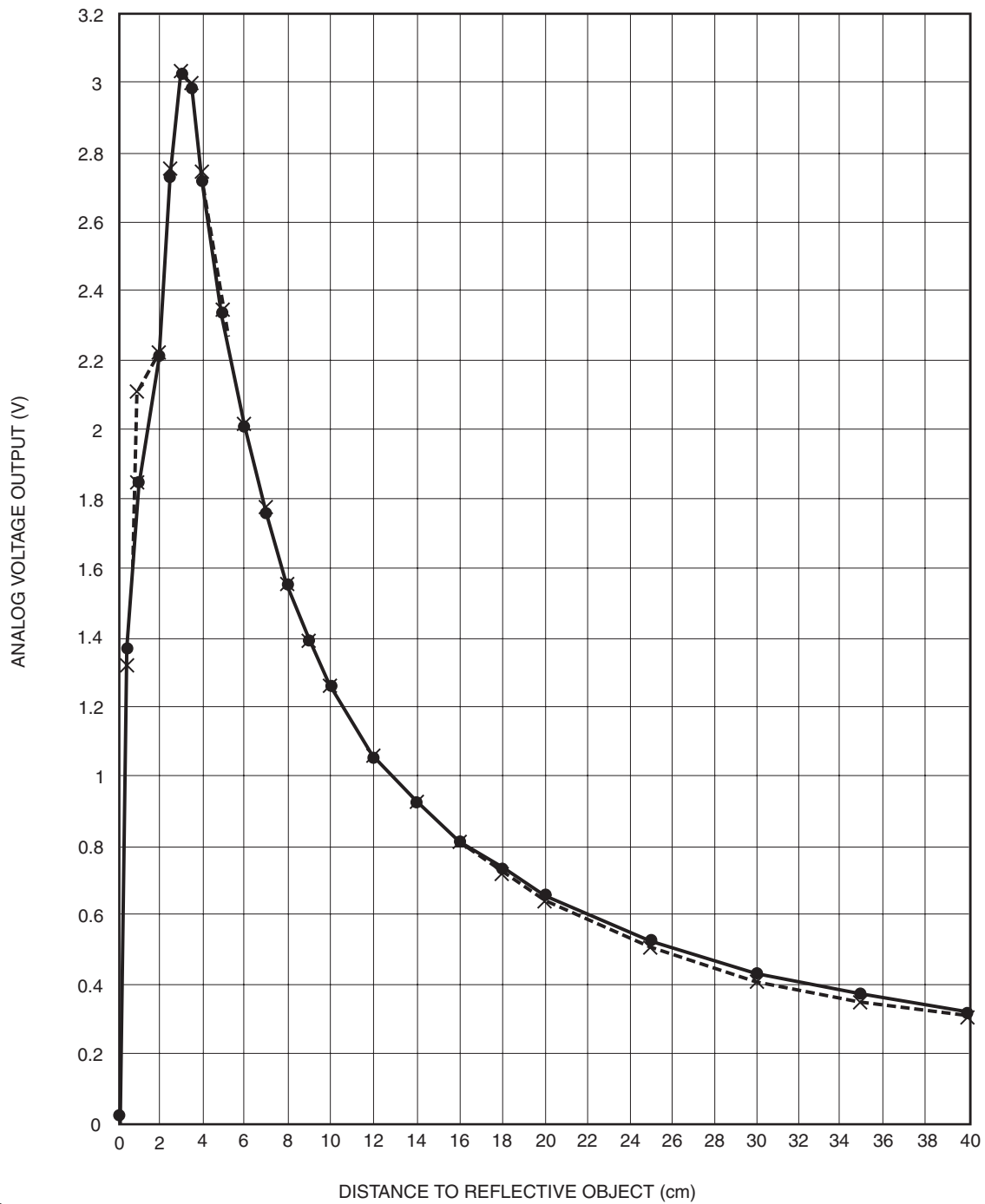
Inspection Method

A single sampling plan, normal inspection level II based on ISO 2859 shall be adopted.

Table 2. Quality Level

DEFECT	INSPECTION ITEM/TEST METHOD	AQL (%)
Major Defect	Electro-optical characteristics defect	0.4
Minor Defect	Defect on appearance and dimension (split, chip, scratch, stain)*	1.0

NOTE: *Any one of these that affects the Electro-optical Characteristics shall be considered a defect.

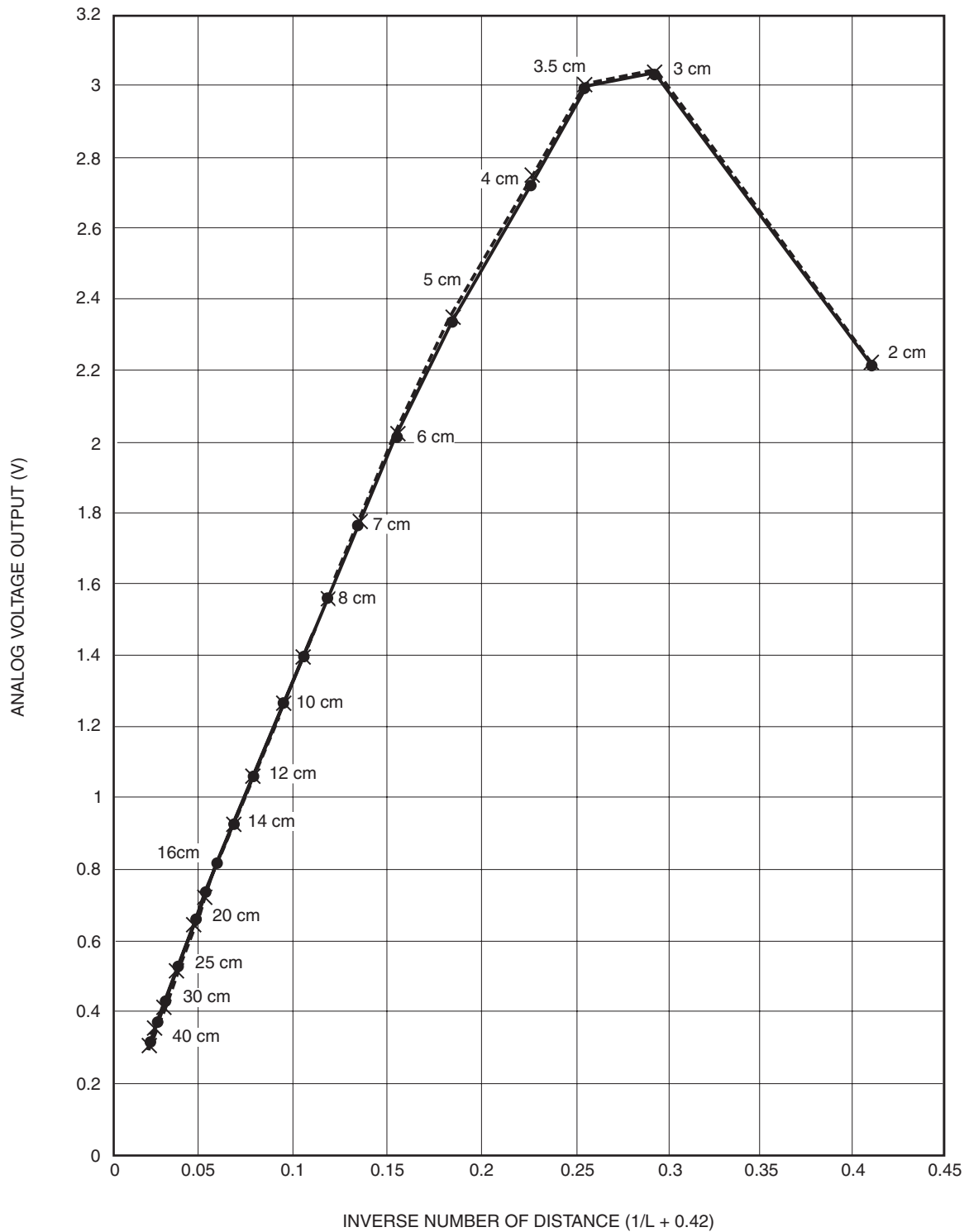


NOTES:

- White paper (90% Reflectance)
- ✕ Gray paper (18% Reflectance)

GP2D120-6

Figure 4. GP2D120 Example of Output Distance Characteristics



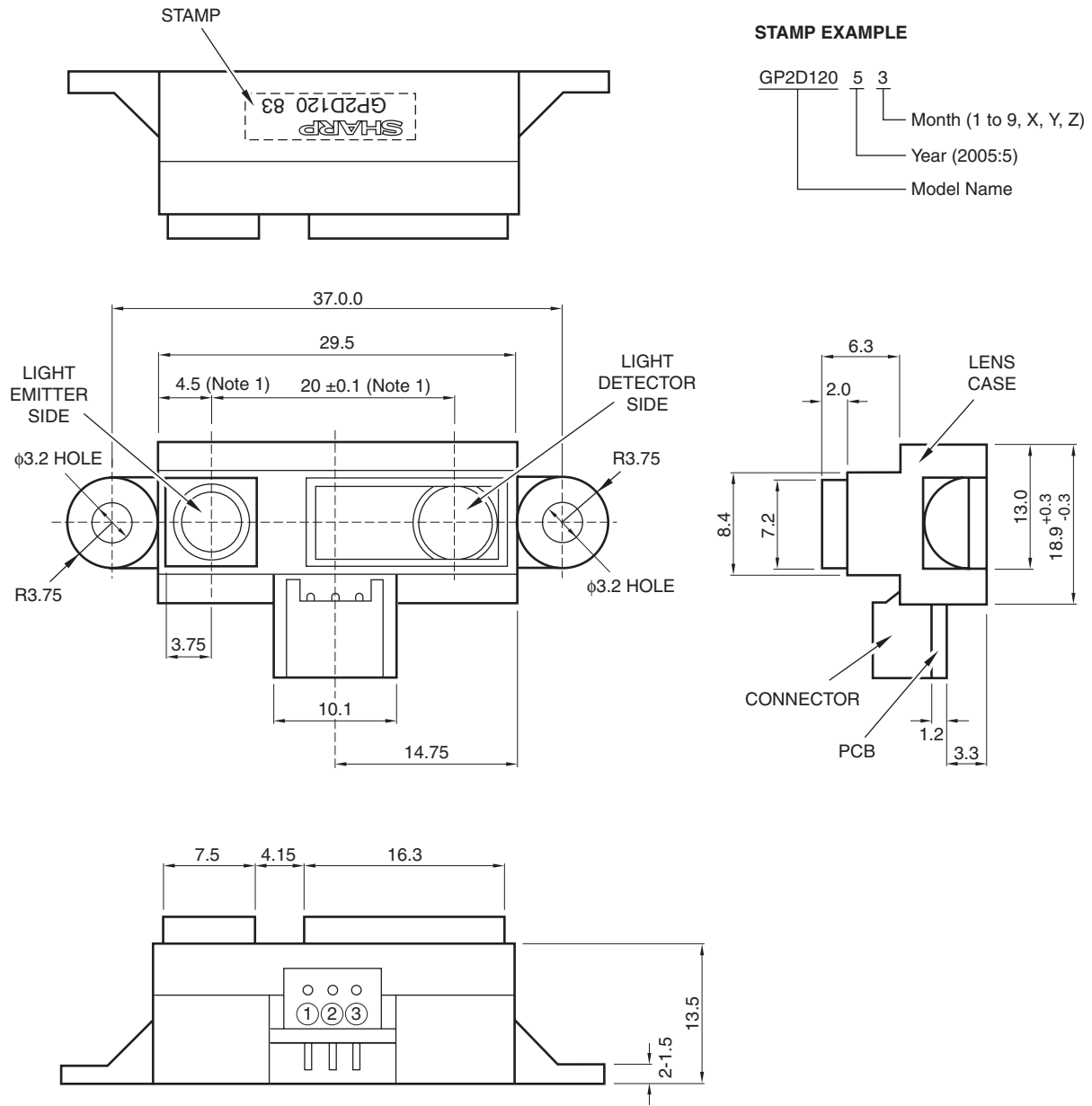
NOTES:

- White paper (90% Reflectance)
- ✕ Gray paper (18% Reflectance)

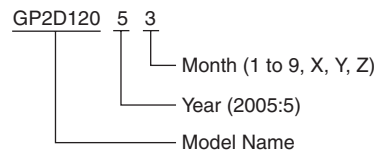
GP2D120-7

Figure 5. GP2D120 Example of Output Characteristics with Inverse Number of Distance

PACKAGE SPECIFICATIONS



STAMP EXAMPLE



CONNECTOR SIGNAL

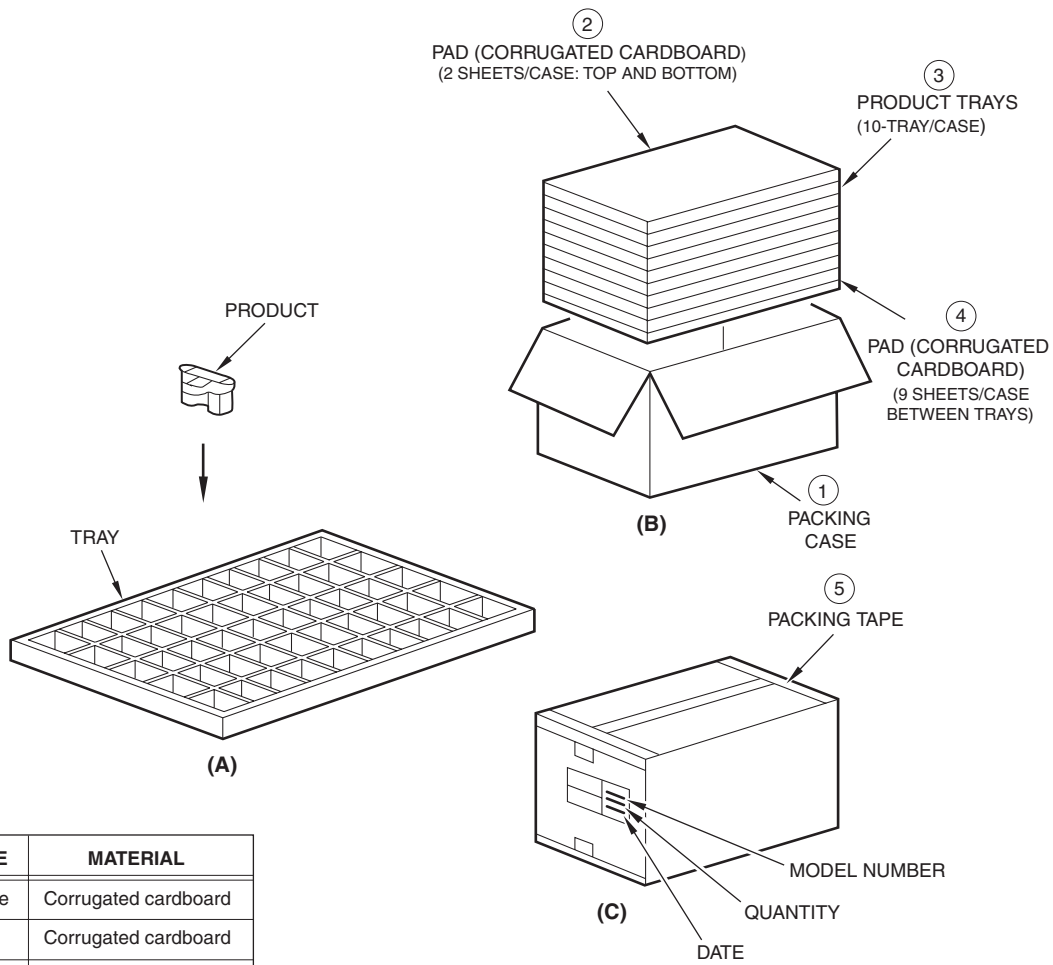
PIN	SIGNAL NAME
①	V _O
②	GND
③	V _{CC}

Connector: J.S.T. Trading Company, LTD
S3B-PH

NOTES:

- 1. Dimensions reference lens center.
- 2. Unspecified tolerances are ±0.3 mm.
- 3. Dimensions are in mm.

PACKING SPECIFICATION



PART NAME	MATERIAL
Packing case	Corrugated cardboard
Pad	Corrugated cardboard
Tray	Polystyrene

PACKING METHOD

- Each tray holds 50 pieces. Packing methods are shown in (A).
- Each box holds 10 trays. Pads are added to top and bottom, and between layers, as in (B). top and bottom. Put pads between each tray (9 pads total) see above drawing (B).
- The box is sealed with packing tape. (C) shows the location of the Model number, Quantity, and Inspection date.
- Package weight: Approximately 4 kg.

GP2D120-9

NOTES

- Keep the sensor lens clean. Dust, water, oil, and other contaminants can deteriorate the characteristics of this device. Applications should be designed to eliminate sources of lens contamination.
- When using a protective cover over the emitter and detector, ensure the cover efficiently transmits light throughout the wavelength range of the LED ($\lambda = 850 \text{ nm} \pm 70 \text{ nm}$). Both sides of the protective cover should be highly polished. Use of a protective cover may decrease the effective distance over which the sensor operates. Ensure that any cover does not negatively affect the operation over the intended application range.
- Objects in proximity to the sensor may cause reflections that can affect the operation of the sensor.
- Sources of high ambient light (the sun or strong artificial light) may affect measurement. For best results, the application should be designed to prevent interference from direct sunlight or artificial light.
- Using the sensor with a mirror can induce measurement errors. Often, changing the incident angle on the mirror can correct this problem.
- If a prominent boundary line exists in the surface being measured, it should be aligned vertically to avoid measurement error. See Figure 6 for further details.
- When measuring the distance to objects in motion, align the sensor so that the motion is in the horizontal direction instead of vertical. Figure 7 illustrates the preferred alignment.
- A 10 μF (or larger) bypass capacitor between V_{CC} and GND near the sensor is recommended.
- To clean the sensor, use a dry cloth. Use of any liquid to clean the device may result in decreased sensitivity or complete failure.
- Excessive mechanical stress can damage the internal sensor or lens.

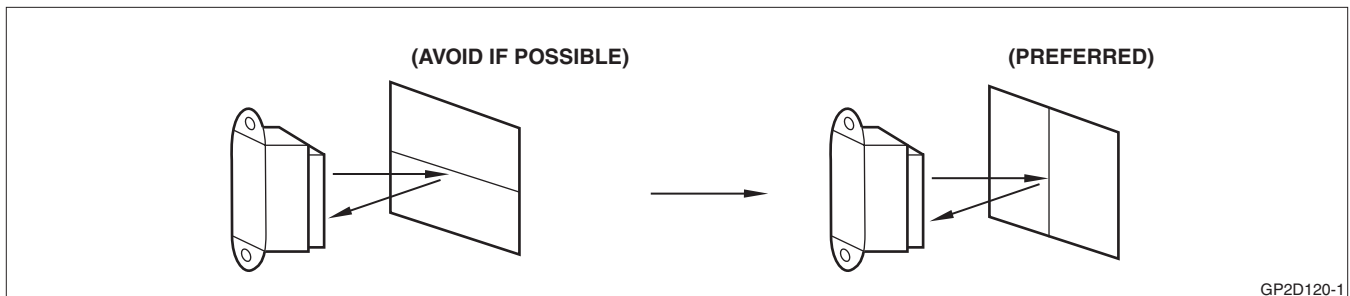


Figure 6. Proper Alignment to Surface Being Measured

GP2D120-1

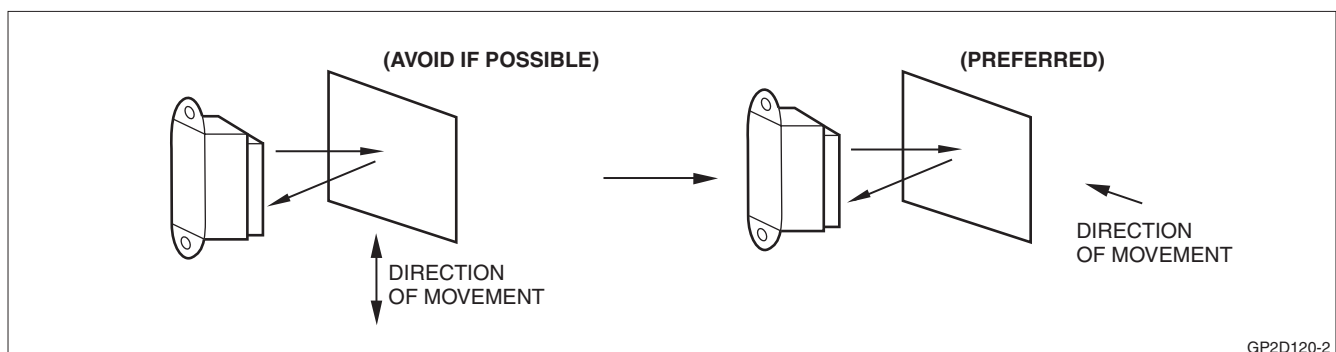


Figure 7. Proper Alignment to Moving Surfaces

GP2D120-2

NOTICE

The circuit application examples in this publication are provided to explain representative applications of SHARP devices and are not intended to guarantee any circuit design or license any intellectual property right. SHARP takes no responsibility for any problems related to any intellectual property right of a third party resulting from the use of SHARP devices.

SHARP reserves the right to make changes in the specifications, characteristics, data, materials, structures and other contents described herein at any time without notice in order to improve design or reliability.

Contact SHARP in order to obtain the latest device specification sheets before using any SHARP device. Manufacturing locations are also subject to change without notice.

In the absence of confirmation by device specification sheets, SHARP takes no responsibility for any defects that occur in equipment using any SHARP devices shown in catalogs, data books, etc.

The devices listed in this publication are designed for standard applications for use in general electronic equipment. SHARP's devices shall not be used for or in connection with equipment that requires an extremely high level of reliability, such as military and aerospace applications, telecommunication equipment (trunk lines), nuclear power control equipment and medical or other life support equipment (e.g. Scuba). SHARP takes no responsibility for damage caused by improper use of device, which does not meet the conditions for use specified in the relevant specification sheet.

If the SHARP devices listed in the publication fall within the scope of strategic products described in the Foreign Exchange and Foreign Trade Law of Japan, it is necessary to obtain approval to export such SHARP devices.

This publication is the proprietary product of SHARP and is copyrighted, with all rights reserved. Under the copyright laws, no part of this publication may be reproduced or transmitted in any form or by any means, electronic or mechanical for any purpose, in whole or in part, without the express written permission of SHARP. Express written permission is also required before any use of this publication may be made by a third party.

Contact and consult with a SHARP representative if there are any questions about the contents of this publication.

SHARP

SHARP CORPORATION
 SALES & MARKETING GROUP
 ELECTRONIC COMPONENTS & DEVICES
 22-22 NAGAIKE-CHO, ABENO-KU, OSAKA 545-8522, JAPAN
 PHONE: (81) 6-6621-1221
 FAX: (81) 6117-725300, 6117-725301, 6117-725302
<http://sharp-world.com/products/device>

Specifications are subject to change without notice.

Countries and Areas

U.S.A.

SHARP MICROELECTRONICS
 OF THE AMERICAS

North American Head Office
 5700 North West Pacific Rim Boulevard
 Camas, Washington 98607 USA
 PHONE: (1)360-834-2500
 FAX: (1)360-834-8903
<http://www.sharpsma.com>

Western Area

1980 Zanker Road, San Jose, CA 95112
 PHONE: (1)408-436-4900
 FAX: (1)408-436-0924

5901 Bolsa Ave.
 Huntington Beach, CA 92647-2053
 PHONE: (1)714-903-4600
 FAX: (1)714-903-0295

6390 Greenwich Drive, Suite 175
 San Diego, CA 92122
 PHONE: (1)858-597-0982
 FAX: (1)858-597-8701

Central Area

85 W. Algonquin Road, Suite 280
 Arlington Heights, IL 60005
 PHONE: (1)847-258-2750
 FAX: (1)847-439-2479

6303 Commerce Drive, Suite 175 Irving, TX 75063
 PHONE: (1)972-582-1710
 FAX: (1)972-580-7537

8911 Capitol of Texas Hwy. Suite 3130
 Austin, TX 78759
 PHONE: (1)512-349-7262
 FAX: (1)512-349-7002

20333 State Hwy. 249, Suite 200 Houston, TX 77070
 PHONE: (1)281-378-1520
 FAX: (1)281-378-1521

W129 S 9647 Tony Lema Lane Muskego, WI 53150
 PHONE: (1)414-529-9568
 FAX: (1)414-529-9569

3001 West Big Beaver Road, Suite 722
 Troy, MI 48064
 PHONE: (1)248-458-1527
 FAX: (1)248-458-6255

Eastern Area

1070 N. Kimbles Road, Yardley, PA 19067
 PHONE: (1)215-321-5530
 FAX: (1)215-321-5534

200 Wheeler Rd., Burlington, MA 01803
 PHONE: (1)781-270-7979; (1)781-229-5100
 FAX: (1)781-229-9117

8000 Regency Parkway, Suite 280 Cary, NC 27511
 PHONE: (1)919-460-0695
 FAX: (1)919-460-0795

2321 Sidney St. Pittsburgh, PA 15203
 PHONE: (1)412-381-1191
 FAX: (1)412-381-1192

4875 North Federal Highway, Third Floor
 Ft. Lauderdale, FL 33318
 PHONE: (1)954-267-8883
 FAX: (1)954-267-0254

EUROPE

SHARP MICROELECTRONICS EUROPE
 A division of Sharp Electronics (Europe) GmbH

Head Office
 Sonninstrasse 3, 20097, Hamburg, Germany
 PHONE: (49)180-5073507
 FAX: (49)40-2376-2232
<http://www.sharpsme.com/>

Germany

SME München Office
 Fuerstenriederstrasse 5, 80687 München, Germany
 PHONE: (49)89-5468420
 FAX: (49)89-54 684250

France

SME Paris Office
 1 Rue Raoul Follereau Bussy Saint Georges
 77608 Marne la Vallée Cedex 3
 PHONE: (33)1 6476 22 22
 FAX: (33)1 6476 22 23

Italy

SME Milano Office
 Centro Direzionale Colleoni
 Palazzo Taurus Ingresso 2
 20041 Agrate Brianza, Milano, Italy
 PHONE: (390)39-68 99 946
 FAX: (390)39-68 99 948

U.K.

SME London Office
 Centennial Court, Easthampstead Road,
 Bracknell, Berkshire R G12 1YQ, United Kingdom
 PHONE: (44)1344-86 99 22
 FAX: (44)1344-36 09 03

Ireland

SME Dublin Office
 First Floor, Block 1, St. Johns Court, Santry,
 Dublin 9, Ireland
 PHONE: (353)1-842 87 05
 FAX: (353)1-842 84 55

ASIA

SHARP ELECTRONICS (SHANGHAI) CO., LTD.
 Microelectronics Sales & Marketing Division
 16F, King Tower, 28 Xin Jin Qiao Road,
 Pudong DIST, Shanghai 201206 P.R. China
 PHONE: (86)21-5854-7710/21-5834-6056
 FAX: (86)21-5854-4340/21-5834-6057

Registered Address

No. 11, De Bao Road, Xin Development BLDG
 46 Wai Gao Qiao Free Trade Zone, Shanghai
 200131, P.R. China

Beijing Office

Room 1062, Beijing Jing An Center No. 8 East
 Bei San Huan Road, Chao Yang DIST, Beijing
 100028 P.R. China
 PHONE: (86) 10-6466-7543/10-6466-6561
 FAX: (86) 10-6468-8920
<http://sharp-world.com/products/devicechina/index.html>

SHARP-ROXY (HONG KONG) LTD.
 Device Sales Division, 17/F, Admiralty Centre,
 Tower 1, 18 Harcourt Road, Hong Kong
 PHONE: (852)28229311
 FAX: (852)28660779
<http://www.sharp.com.hk>

Shenzhen Representative Office

Room 13B1, Tower C, Electronics Science &
 Technology Building, Shen Nan Zhong Road,
 Shenzhen, P.R. China
 PHONE: (86)755-83273731
 FAX: (86)755-83273735

SHARP ELECTRONIC COMPONENTS
 (TAIWAN) CORPORATION
 8F-A, No. 16, Sec. 4, Nanking E. R d., Taipei, Taiwan
 PHONE: (886)2-2577-7341
 FAX: (886)2-2577-7326/2-2577-7328

SHARP ELECTRONICS (SINGAPORE) PTE., LTD.
 396 Alexandra Road #07-00
 BP Tower Singapore 119954
 PHONE: (65) 62713566
 FAX: (65) 62713855
<http://www.sesi-sharp.com>

SHARP MICROELECTRONICS
 TECHNOLOGY (M) SDN BHD.
 Suite E 408, 4th Floor, East Tower,
 Wisma Consplant 1, No. 2 J In. SS 16/4,
 Subng Jaya, 47500, Selangor Darul Ehsan, Malaysia
 PHONE: (60) 3-5637-8964
 FAX: (60) 3-5638-4029

SHARP ELECTRONIC COMPONENTS
 (KOREA) CORPORATION
 RM 501 iLsin B/D. 541, Dohwa-dong,
 Mapo-ku, Seoul, Korea, 121-701
 PHONE: (82)2-711-5813 ~ 8
 FAX: (82)2-711-5819

Distributed By

OUR CERTIFICATE

DiGi provide top-quality products and perfect service for customer worldwide through standardization, technological innovation and continuous improvement. DiGi through third-party certification, we stricly control the quality of products and services. Welcome your RFQ to

Email: Info@DiGi-Electronics.com



Tel: +00 852-30501935

RFQ Email: Info@DiGi-Electronics.com

DiGi is a global authorized distributor of electronic components.