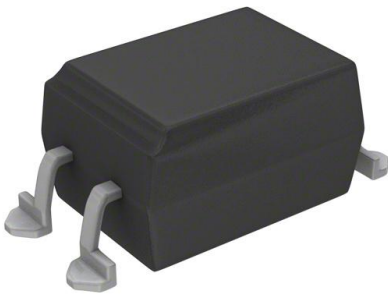


PC851XNNIP0F Datasheet

www.digi-electronics.com



<https://www.DiGi-Electronics.com>

| | |
|------------------------------|---|
| DiGi Electronics Part Number | PC851XNNIP0F-DG |
| Manufacturer | Sharp Microelectronics |
| Manufacturer Product Number | PC851XNNIP0F |
| Description | OPTOISOLATOR 5KV TRANS 4SMD |
| Detailed Description | Optoisolator Transistor Output 5000Vrms 1 Channel 4-SMD |

This model PC851XNNIP0F is available at DiGi Electronics.

DiGi Electronics offers a global database of semiconductor and electronic component datasheets.

We welcome your inquiries regarding pricing, lead time, or other product-related questions.

 [Request a Quote](#)

 [Datasheet Search](#)



Tel: +00 852-30501935

RFQ Email: Info@DiGi-Electronics.com

DiGi is a global authorized distributor of electronic components.

Purchase and inquiry

Manufacturer Product Number:

PC851XNNIP0F

Series:

-

Number of Channels:

1

Current Transfer Ratio (Min):

40% @ 5mA

Turn On / Turn Off Time (Typ):

-

Input Type:

DC

Voltage - Output (Max):

350V

Voltage - Forward (Vf) (Typ):

1.2V

Vce Saturation (Max):

300mV

Mounting Type:

Surface Mount

Supplier Device Package:

4-SMD

Manufacturer:

Sharp Microelectronics

Product Status:

Obsolete

Voltage - Isolation:

5000Vrms

Current Transfer Ratio (Max):

-

Rise / Fall Time (Typ):

4 μ s, 5 μ s

Output Type:

Transistor

Current - Output / Channel:

50mA

Current - DC Forward (If) (Max):

50 mA

Operating Temperature:

-25°C ~ 100°C

Package / Case:

4-SMD, Gull Wing

Environmental & Export classification

Moisture Sensitivity Level (MSL):

1 (Unlimited)

HTSUS:

8541.49.8000

ECCN:

EAR99

PC851XNxiP0F Series Photocoupler

Product Specification

November 2009

PC851XNxiP0F Series

Full Specification for part numbers:

PC851XNNiP0F

PC851XNYiP0F

| |
|---|
| REFERENCE SPEC. No. ED-00P025A ISSUE November 10, 2009 |
|---|

SHARP

SYSTEM DEVICE DIVISION I
 ELECTRONIC COMPONENTS AND DEVICES GROUP
 SHARP CORPORATION

SPECIFICATION

DEVICE SPECIFICATION FOR

PHOTOCOUPLER

MODEL No.

PC851

Business dealing name

| | | |
|--|--------------|--------------|
| | PC851XNNIP0F | PC851XNYIP0F |
|--|--------------|--------------|

Specified for _____

Enclosed please find copies of the Specifications which consists of 15 pages including cover.
 This specification sheets and attached sheets shall be both side copy.
 After confirmation of the contents, please be sure to send back copies of the Specifications
 with approving signature on each.

CUSTOMER'S APPROVAL

PRESENTED

DATE

DATE

Nov. 10, 2009

BY

BY

M. Kubo

for

M. Kubo,
 Department General Manager of
 Development Dept. IV
 System Device Div. I
 Electronic Components and Devices Group
 SHARP CORPORATION

| |
|----------------------------------|
| REFERENCE PC851XNNIP0F |
|----------------------------------|

Product name : PHOTOCOUPLER

Model No. : PC851

Business dealing name

| | |
|--------------|--------------|
| PC851XNNIP0F | PC851XNYIP0F |
|--------------|--------------|

1. These specification sheets include materials protected under copyright of Sharp Corporation ("Sharp"). Please do not reproduce or cause anyone to reproduce them without Sharp's consent.
2. When using this product, please observe the absolute maximum ratings and the instructions for use outlined in these specification sheets, as well as the precautions mentioned below. Sharp assumes no responsibility for any damage resulting from use of the product which does not comply with the absolute maximum ratings and the instructions included in these specification sheets, and the precautions mentioned below.

(Precautions)

- (1) Please do verify the validity of this part after assembling it in customer's products, when customer wants to make catalogue and instruction manual based on the specification sheet of this part.
- (2) This product is designed for use in the following application areas ;

| |
|---|
| <ul style="list-style-type: none"> · OA equipment Audio visual equipment · Home appliances · Telecommunication equipment (Terminal) · Measuring equipment · Tooling machines · Computers |
|---|

If the use of the product in the above application areas is for equipment listed in paragraphs (3) or (4), please be sure to observe the precautions given in those respective paragraphs.
- (3) Appropriate measures, such as fail-safe design and redundant design considering the safety design of the overall system and equipment, should be taken to ensure reliability and safety when this product is used for equipment which demands high reliability and safety in function and precision, such as ;

| |
|---|
| <ul style="list-style-type: none"> · Transportation control and safety equipment (aircraft, train, automobile etc.) · Traffic signals · Gas leakage sensor breakers · Rescue and security equipment · Other safety equipment |
|---|
- (4) Please do not use this product for equipment which require extremely high reliability and safety in function and precision, such as ;

| |
|--|
| <ul style="list-style-type: none"> · Space equipment · Telecommunication equipment (for trunk lines) · Nuclear power control equipment · Medical equipment |
|--|
- (5) Please contact and consult with a Sharp sales representative if there are any questions regarding interpretation of the above four paragraphs.

3. Please contact and consult with a Sharp sales representative for any questions about this product.

REFERENCE

PC851XNNIP0F

1. Application
This specification applies to the outline and characteristics of photocoupler Model No. PC851(Lead-Free Type).
2. Outline
Refer to the attached sheet, page 4.
3. Ratings and characteristics
Refer to the attached sheet, page 5, 6.
4. Reliability
Refer to the attached sheet, page 7.
5. Outgoing inspection
Refer to the attached sheet, page 8.
6. Supplement
 - 6.1 Isolation voltage shall be measured in the following method.
 - (1) Short between anode and cathode on the primary side and between collector and emitter on the secondary side.
 - (2) The dielectric withstanding tester with zero-cross circuit shall be used.
 - (3) The wave form of applied voltage shall be a sine wave.
(It is recommended that the isolation voltage be measured in insulation oil.)
 - 6.2 Package specifications
Refer to the attached sheet, page 9, 10.

6.3 Business dealing name

("O" mark indicates business dealing name of ordered product)

| Product | Business dealing name | Remark |
|---------|-----------------------|--|
| | PC851XNNIP0F | |
| | PC851XNYIP0F | Applied to product as a option (Attachment-2-1 to 2-3.) |

- 6.4 This Model is approved by UL.
Approved Model No. : PC851
UL file No. : E64380
- 6.5 This product is not designed against irradiation.
This product is assembled with electrical input and output.
This product incorporates non-coherent light emitting diode.
- 6.6 ODS materials
This product shall not contain the following materials.
Also, the following materials shall not be used in the production process for this product.
Materials for ODS : CFCs, Halon, Carbon tetrachloride, 1,1,1-Trichloroethane (Methyl chloroform)
- 6.7 Specified brominated flame retardants
Specified brominated flame retardants (PBB and PBDE) are not used in this device at all.

REFERENCE

PC851XNNIP0F

6.8 Compliance with each regulation

(1) The RoHS directive (2002/95/EC)

This product complies with the RoHS directive (2002/95/EC).

Object substances: mercury, lead, cadmium, hexavalent chromium, polybrominated biphenyls (PBB) and polybrominated diphenyl ethers (PBDE)

(2) Content of six substances specified in Management Methods for Control of Pollution Caused by Electronic Information Products Regulation (Chinese: 电子信息产品污染控制管理办法).

| Category | Toxic and hazardous substances | | | | | |
|--------------|--------------------------------|--------------|--------------|---|--------------------------------|---------------------------------------|
| | Lead (Pb) | Mercury (Hg) | Cadmium (Cd) | Hexavalent chromium (Cr ⁶⁺) | Polybrominated biphenyls (PBB) | Polybrominated diphenyl ethers (PBDE) |
| Photocoupler | ✓ | ✓ | ✓ | ✓ | ✓ | ✓ |

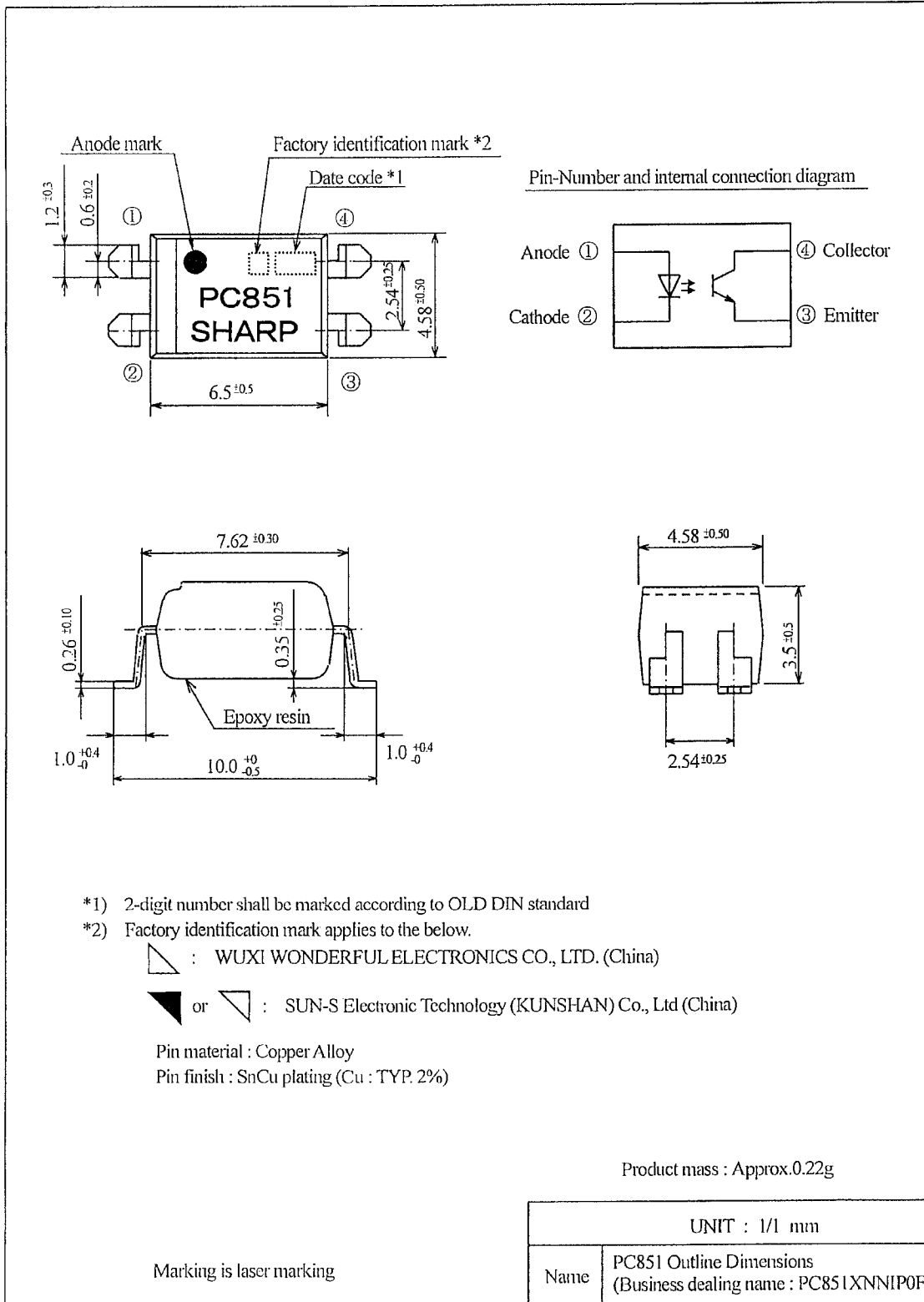
✓: indicates that the content of the toxic and hazardous substance in all the homogeneous materials of the part is below the concentration limit requirement as described in SJ/T 11363-2006 standard.

7. Notes

Precautions for photocouplers : Attachment-1

REFERENCE
PC851XNNIP0F

2. Outline



REFERENCE

3. Ratings and characteristics

3.1 Absolute maximum ratings

Ta=25°C

| Parameter | | Symbol | Rating | Unit |
|----------------------------|--------------------------------|---------------|-------------|------|
| Input | *1 Forward current | I_F | 50 | mA |
| | *2 Peak forward current | I_{FM} | 1 | A |
| | Reverse voltage | V_R | 6 | V |
| | *1 Power dissipation | P | 70 | mW |
| Output | Collector-emitter voltage | V_{CEO} | 350 | V |
| | Emitter-collector voltage | V_{ECO} | 6 | V |
| | Collector current | I_c | 50 | mA |
| | *1 Collector power dissipation | P_c | 150 | mW |
| *1 Total power dissipation | P_{tot} | 200 | mW | |
| | Operating temperature | T_{opr} | -25 to +100 | °C |
| | Storage temperature | T_{stg} | -55 to +125 | °C |
| | *3 Isolation voltage | $V_{iso(ms)}$ | 5 | kV |
| | *4 Soldering temperature | T_{sol} | 270 | °C |

3.2 Electro-optical characteristics

Ta=25°C

| Parameter | | Symbol | Condition | MIN. | TYP. | MAX. | Unit |
|--------------------------|--------------------------------------|---------------|---|--------------------|-----------|---------|----------|
| Input | Forward voltage | V_F | $I_F=20mA$ | - | 1.2 | 1.4 | V |
| | Reverse current | I_R | $V_R=4V$ | - | - | 10 | μA |
| | Terminal capacitance | C_t | $V=0, f=1kHz$ | - | 30 | 250 | pF |
| Output | Dark current | I_{CEO} | $V_{CE}=200V, I_F=0$ | - | - | 1 | nA |
| | Collector-emitter breakdown voltage | BV_{CEO} | $I_c=0.1mA, I_F=0$ | 350 | - | - | V |
| | Emitter-collector breakdown voltage | BV_{ECO} | $I_E=10\mu A, I_F=0$ | 6 | - | - | V |
| Transfer characteristics | Collector current | I_c | $I_F=5mA, V_{CE}=5V$ | 2.0 | 4.0 | - | mA |
| | Collector-emitter saturation voltage | $V_{CE(sat)}$ | $I_F=20mA, I_c=1mA$ | - | 0.1 | 0.3 | V |
| | Isolation resistance | R_{ISO} | DC500V 40 to 60%RH | 5×10^{10} | 10^{11} | - | Ω |
| | Floating capacitance | C_f | $V=0, f=1MHz$ | - | 0.6 | 1.0 | pF |
| | Cut-off frequency | f_c | $V_{CE}=5V, I_c=2mA$ $R_L=100\Omega, -3dB$ | - | 50 | - | kHz |
| | Rise time | t_r | $V_{CE}=2V, I_c=2mA$ $R_L=100\Omega$ | - | 4 | 10 | μs |
| Fall time | t_f | | - | 5 | 12 | μs | |

*1 The derating factors of absolute maximum ratings due to ambient temperature are shown in Fig. 1 to 4.

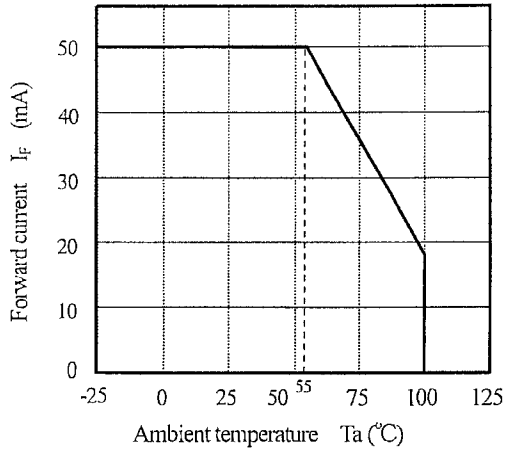
*2 Pulse width $\leq 100\mu s$, Duty ratio : 0.001 (Refer to Fig. 5)

*3 AC for 1 min, 40 to 60%RH

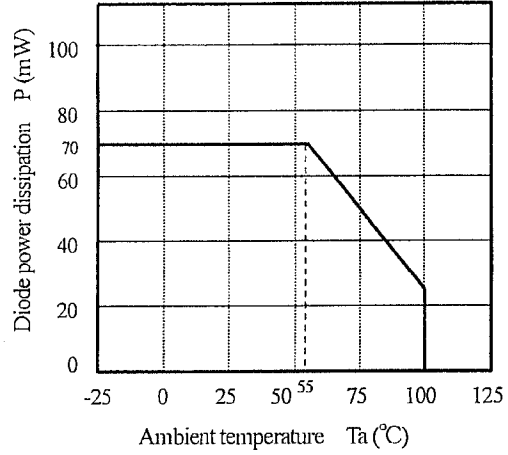
*4 For 10 s



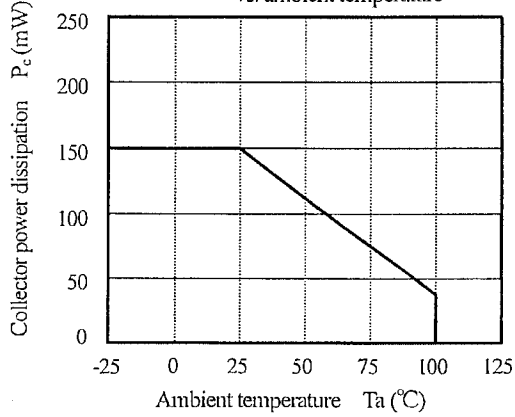
(Fig. 1) Forward current vs. ambient temperature



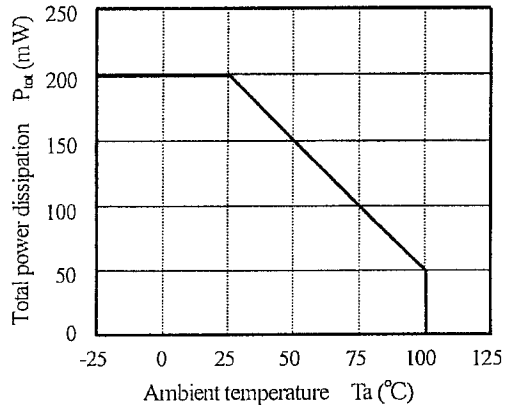
(Fig. 2) Diode power dissipation vs. ambient temperature



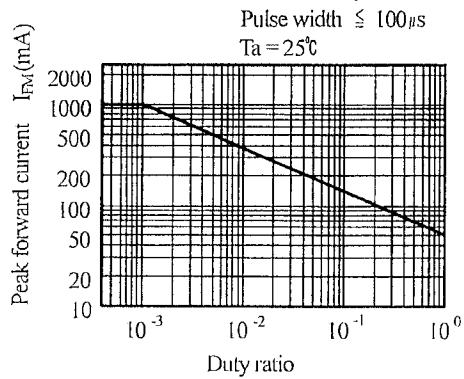
(Fig. 3) Collector power dissipation vs. ambient temperature



(Fig. 4) Total power dissipation vs. ambient temperature



(Fig. 5) Peak forward current vs. duty ratio



REFERENCE

PC851XNNIP0F

4. Reliability

The reliability of products shall satisfy items listed below.

Confidence level : 90%

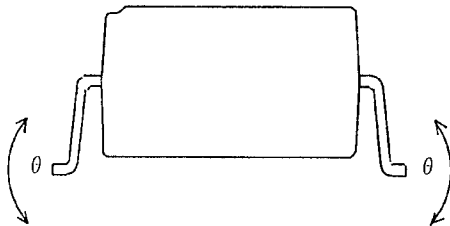
LTPD : 10or20

| Test Items | Condition | Failure Judgment Criteria | Samples (n) Defective (C) |
|--------------------------------------|---|--|------------------------------|
| Solderability | 245±3°C, 5s | *2 | n=11, C=0 |
| Soldering heat | (Flow soldering) 270°C, 10 s | $V_F > U \times 1.2$ $I_R > U \times 2$ $I_{CEO} > U \times 2$ $I_C < L \times 0.7$ $V_{CE(sat)} > U \times 1.2$ U: Upper specification limit L: Lower specification limit | n=11, C=0 |
| | (Soldering by hand) 400°C, 3 s | | |
| Terminal strength (Tension) | Weight: 5N 5 s/each terminal | | n=11, C=0 |
| Terminal strength (Bending) *3 | Weight: 2.5N 2 times/each terminal | | n=11, C=0 |
| Mechanical shock | 15km/s ² , 0.5ms 3 times/±X, ±Y, ±Z direction | | n=11, C=0 |
| Variable frequency vibration | 100 to 2000 to 100Hz/4 min 200m/s ² 4 times/X, Y, Z direction | | n=11, C=0 |
| Temperature cycling | 1 cycle -55 °C to +125 °C (30 min) (30 min) 20 cycles test | | n=22, C=0 |
| High temp. and high Humidity storage | +85°C, 85%RH, 1000h | | n=22, C=0 |
| High temp. storage | +125 °C, 1000h | | n=22, C=0 |
| Low temp. storage | -55 °C, 1000h | | n=22, C=0 |
| Operation life | I _F =50mA, P _{tot} =200mW T _a =25 °C, 1000h | n=22, C=0 | |

*1 Test method, conforms to EIAJ ED 4701.

*2 The product whose not-soldered area is more than 5% for all of the dipped area and/or whose pinholes or voids are concentrated on one place shall be judged defect.

*3 Terminal bending direction is shown below.



| |
|----------------------------------|
| REFERENCE PC851XNNIP0F |
|----------------------------------|

5. Outgoing inspection

5.1 Inspection items

(1) Electrical characteristics

 $V_F, I_R, I_{CEO}, V_{CE(sat)}, I_c, R_{ISO}, V_{iso}$

(2) Appearance

5.2 Sampling method and Inspection level

A single sampling plan, normal inspection level II based on ISO 2859 is applied.

The AQL according to the inspection items are shown below.

| Defect | Inspection item | AQL (%) |
|--------------|--|---------|
| Major defect | Electrical characteristics Unreadable marking | 0.065 |
| Minor defect | Appearance defect except the above mentioned. | 0.25 |

REFERENCE

PC851XNNIP0F

6.2 Package specifications

6.2.1 Taping conditions

- (1) Tape structure and Dimensions (Refer to the attached sheet, Page 9)
The carrier tape has the heat pressed structure of PS material carries tape and three layers cover tape (PET material base).
- (2) Reel structure and Dimensions (Refer to the attached sheet, Page 10)
The taping reel shall be of plastic (PS material).
- (3) Direction of product insertion (Refer to the attached sheet, Page 10)
- (4) Joint of tape
The cover tape and carrier tape in one reel shall be joint less.
- (5) To repair failure -taped devices, cutting a bottom of carrier tape with a cutter.
After replacing the cut portion shall be sealed with adhesive tape.

6.2.2 Adhesiveness of cover tape

- The exfoliation force between carrier tape and cover tape shall be 0.2N to 0.7N for the angle 160° to 180° .

6.2.3 Rolling method and quantity

- Wind the tape back on the reel so that the cover tape will be outside the tape.
Attach more than 20cm of blank tape to the trailer and the leader of the and fix the both ends with adhesive tape.
One reel basically shall contain 2000pcs.

6.2.4 Outer packing appearance

- Refer to the attached sheet, page 9.

6.2.5 Marking

The label with following information shall be pasted at appointed place of the outer packing case.

* Model No. *(Business dealing name) * Lot No. * Quantity

* Country of origin *Company name *Inspection date specified

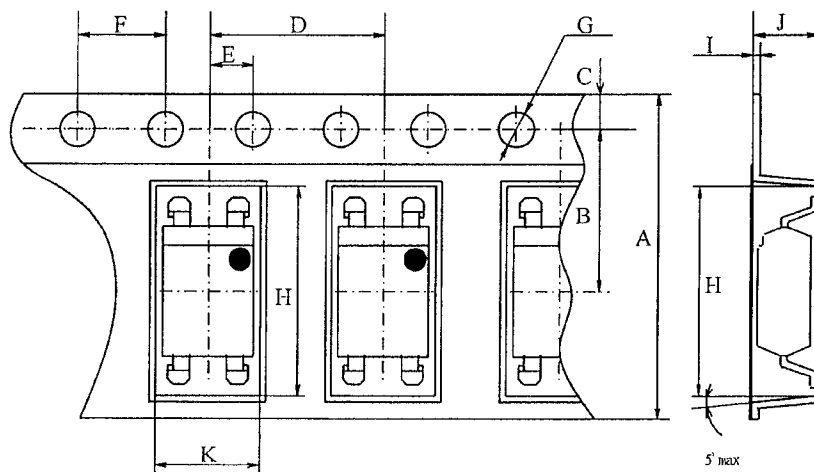
6.2.6 Storage condition

- Taped products shall be stored at the temperature 5 to 30°C and the humidity 70%RH or less away from direct sunlight.

6.2.7 Safety protection during shipping

- There shall be no deformation of component or degradation of electrical characteristics due to shipping.

Carrier tape structure and Dimensions

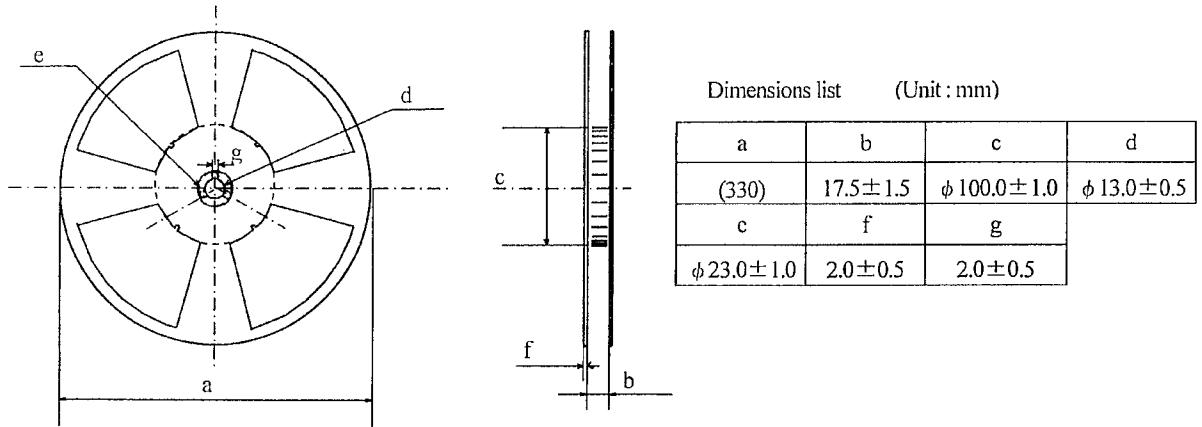


Dimensions list (Unit : mm)

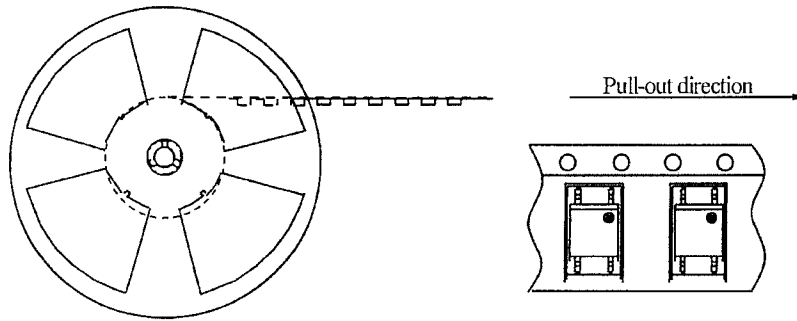
| A | B | C | D | E | F | G | H | I | J | K |
|------|------|-------|------|------|------|--------------|------|-------|------|------|
| ±0.3 | ±0.1 | ±0.10 | ±0.1 | ±0.1 | ±0.1 | +0.1 -0.0 | ±0.1 | ±0.05 | ±0.1 | ±0.1 |
| 16.0 | 7.5 | 1.75 | 8.0 | 2.0 | 4.0 | φ 1.5 | 10.4 | 0.40 | 4.2 | 5.1 |

REFERENCE
PC851XNNIP0F

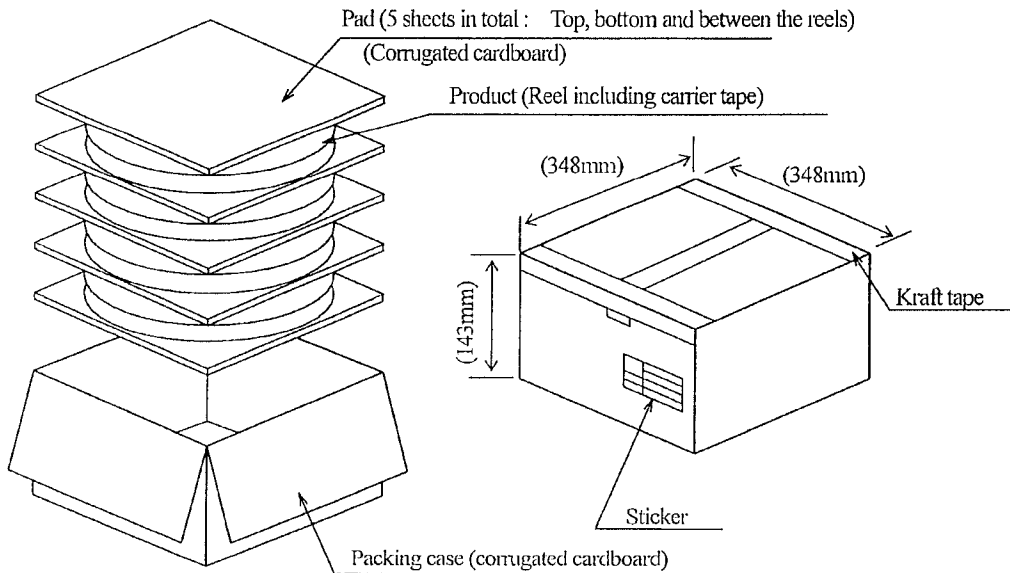
Reel structure and Dimensions



Direction of product insertion



Outer packing appearance



Regular packing mass : Approx. 4.1kg

() : Reference dimensions

REFERENCE

PC851XNNIP0F

Precautions for Photocouplers

1. Cleaning

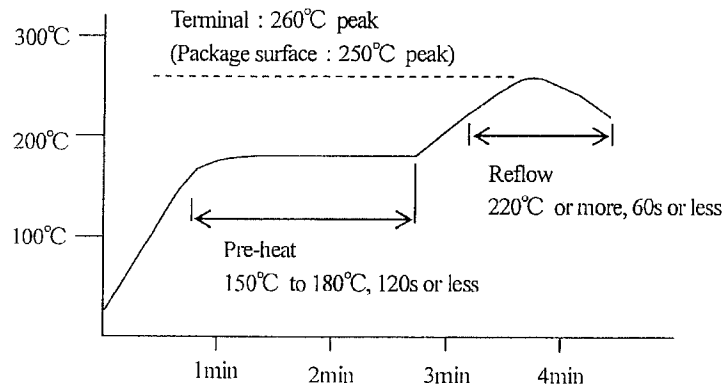
- (1) Solvent cleaning : Solvent temperature 45°C or less
Immersion for 3 min or less
- (2) Ultrasonic cleaning : The effect to device by ultrasonic cleaning differs by cleaning bath size, ultrasonic power output, cleaning time, PCB size or device mounting condition etc. Please test it in actual using condition and confirm that doesn't occur any defect before starting the ultrasonic cleaning.
- (3) Applicable solvent : Ethyl alcohol, Methyl alcohol, Isopropyl alcohol
When the other solvent is used, there are cases that the packaging resin is eroded.
Please use the other solvent after thorough confirmation is performed in actual using condition.

2. Circuit design

- (1) The LED used in the Photocoupler generally decreases the light emission power by operation.
In case of long operation time, please design the circuit in consideration of the degradation of the light emission power of the LED. (50%/5years)
- (2) There are cases that the deviation of the CTR and the degradation of the relative light emission power of the LED increase when the setting value of I_F is less than 1.0mA. Please design the circuit in consideration of this point.

3. Precautions for Soldering

- (1) In the case of flow soldering (Whole device dipping .)
It is recommended that flow soldering should be at 270°C or less for 10 s or less
(Pre-heating : 100 to 150°C, 30 to 80s). (2 times or less)
- (2) If solder reflow :
It is recommended to be done at the temperature and the time within the temperature profile as shown in the figure below. (2 times or less)



- (3) In the case of hand soldering
What is done on the following condition is recommended.(2 times or less)
Soldering iron temperature : 400°C or less
Time : 3s or less
- (4) Other precautions
Depending on equipment and soldering conditions (temperature, Using solder etc.), the effect to the device and the PCB is different.
Please confirm that there is no problem on the actual use conditions in advance.

REFERENCE

PC851XNYIP0F

1. This specification shall be applied to photocoupler, Model No. PC851 as an option.
2. Applicable Models (Business dealing name)
PC851XNYIP0F
3. The relevant models are the models Approved by VDE according to DIN EN 60747-5-2.
Approved Model No. : PC851
VDE approved No. : 40008087 (According to the specification DIN EN 60747-5-2)
 - Operating isolation voltage U_{IORM} : 890V (Peak)
 - Transient voltage : 9000V (Peak)
 - Pollution : 2
 - Clearances distance (Between input and output) : 6.4 mm (MIN.)
 - Creepage distance (Between input and output) : 6.4 mm (MIN.)
 - Isolation thickness between input and output : 0.15mm (MIN.)
 - Tracking-proof : CTI 175
 - Safety limit values
 - Current (Isi) : 200mA (Diode side)
 - Power (Psi) : 300mW (Phototransistor side)
 - Temperature (Tsi) : 150°C

In order to keep safety electric isolation of photocoupler, please set the protective circuit to keep within safety limit values when the actual application equipment troubled.

- Indication of VDE approval "  " is printed on minimum unit package.

4. Outline Refer to the attachment-2-2.

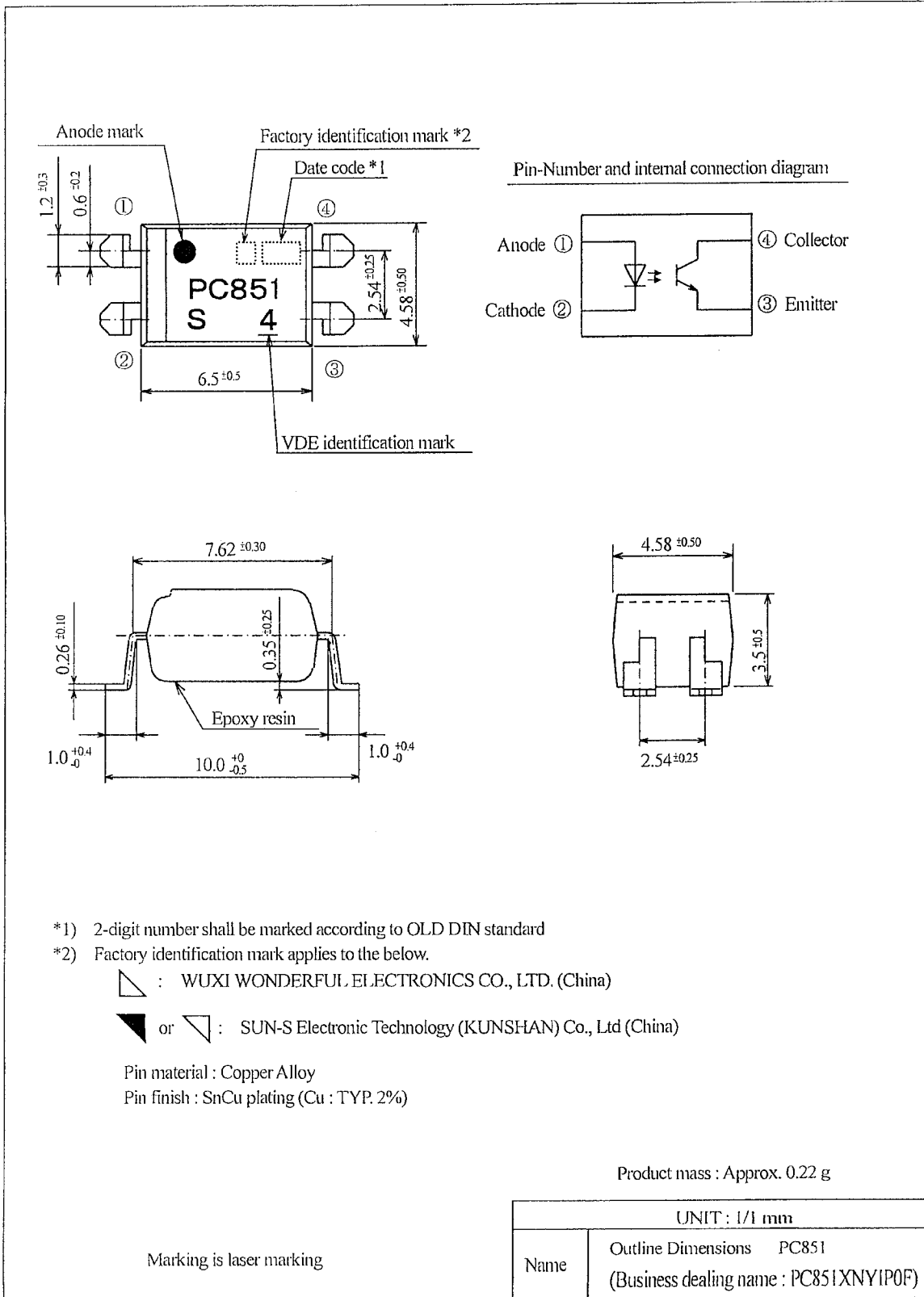
5. Isolation specification according to EN 60747-5-2.

| Parameter | Symbol | Condition | Rating | Unit | Remark | | | | | | | | | |
|---|----------------------|---------------------|----------------------|------|--|---|-----------|--|-------------------|------|---|--|--|--|
| Class of environmental test | - | - | 55/110/21 | - | | | | | | | | | | |
| Pollution | - | - | 2 | - | | | | | | | | | | |
| Maximum operating isolation voltage | U_{IORM} (PEAK) | - | 890 | V | Refer to the Diagram 1,2 (Attachement-2-3) | | | | | | | | | |
| Partial discharge test voltage (Between input and output) | | | | | | | | | | | | | | |
| <table border="1" style="width: 100%;"> <tr> <td>Diagram 1</td> <td>U_{pr} (PEAK)</td> <td>$t_p=10s, q_c<5pC$</td> <td>1340</td> <td>V</td> </tr> <tr> <td>Diagram 2</td> <td></td> <td>$t_p=1s, q_c<5pC$</td> <td>1670</td> <td>V</td> </tr> </table> | Diagram 1 | U_{pr} (PEAK) | $t_p=10s, q_c<5pC$ | 1340 | | V | Diagram 2 | | $t_p=1s, q_c<5pC$ | 1670 | V | | | |
| Diagram 1 | U_{pr} (PEAK) | $t_p=10s, q_c<5pC$ | 1340 | V | | | | | | | | | | |
| Diagram 2 | | $t_p=1s, q_c<5pC$ | 1670 | V | | | | | | | | | | |
| Maximum over-voltage | U_{IOTM} (PEAK) | $t_{INT}=60s$ | 9000 | V | | | | | | | | | | |
| Safety maximum ratings | | | | | Refer to Fig 6,7 (Attachement-2-3) | | | | | | | | | |
| 1) Case temperature | Tsi | $I_F=0, P_C=0,$ | 150 | °C | | | | | | | | | | |
| 2) Input current | Isi | $P_C=0$ | 200 | mA | | | | | | | | | | |
| 3) Electric power (Output or Total power dissipation) | Psi | - | 300 | mW | | | | | | | | | | |
| Isolation resistance (Test voltage between input and output ; DC500V) | R_{ISO} | | | | | | | | | | | | | |
| | | $T_a=T_{si}$ | MIN.10 ⁹ | Ω | | | | | | | | | | |
| | | $T_a=T_{opr}(MAX.)$ | MIN.10 ¹¹ | | | | | | | | | | | |
| | | $T_a=25°C$ | MIN.10 ¹² | | | | | | | | | | | |

6. Precautions in performing isolation test
 - 6.1 Partial discharge test methods shall be the ones according to the specifications of EN 60747-5-2
 - 6.2 Please don't carry out isolation test (V_{iso}) over U_{IOTM} . This product deteriorates isolation characteristics by partial discharge due to applying high voltage (ex. U_{IOTM}).
And there is possibility that partial discharge occurs in operating isolation voltage. (U_{IORM}).

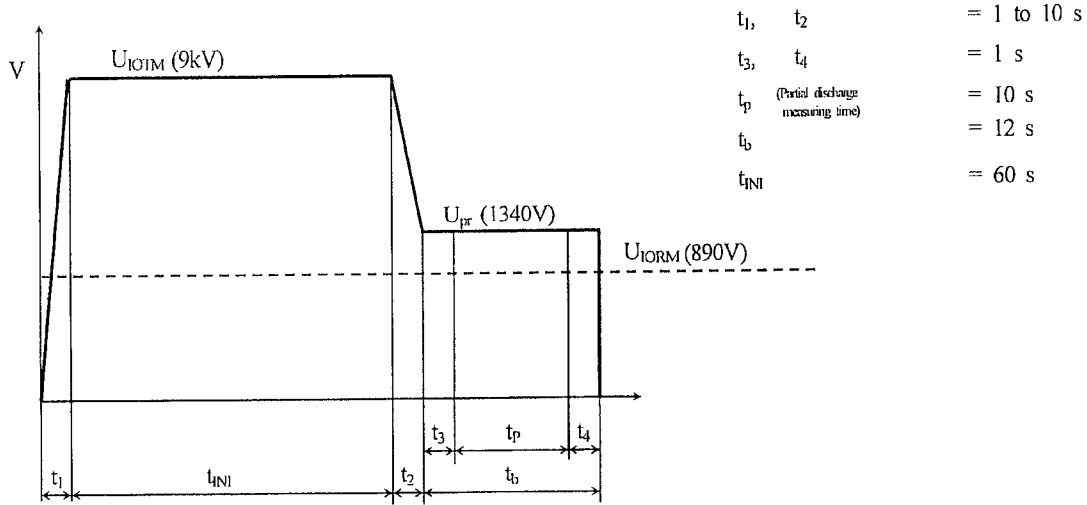
REFERENCE
PC851XNY1P0F

4. Outline

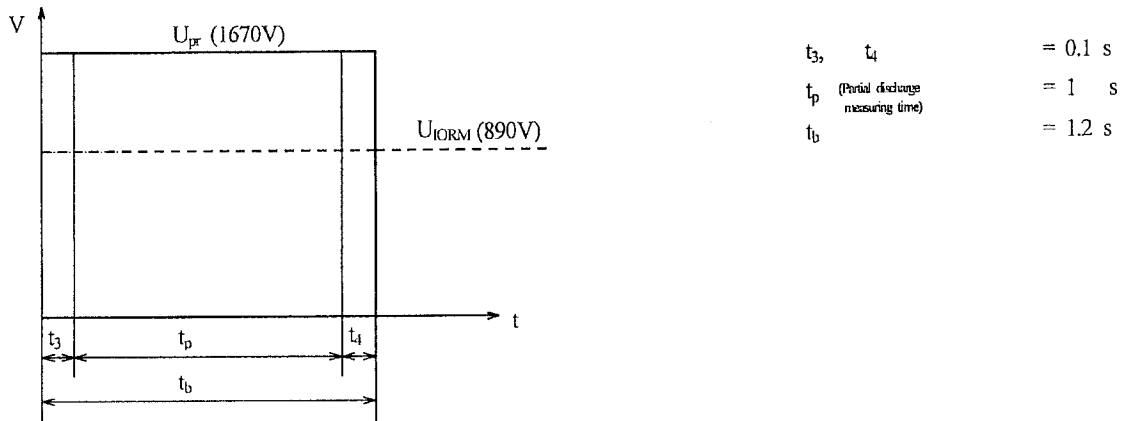


REFERENCE
PC851XNNIP0F

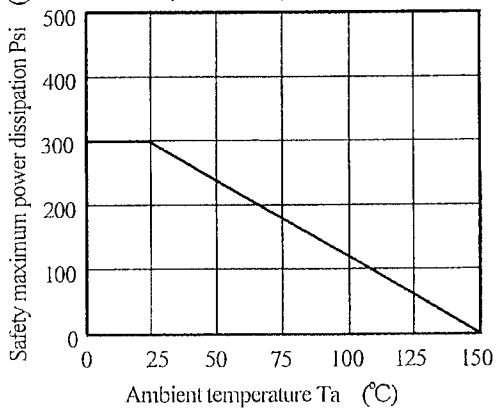
Method of Diagram 1: Breakdown test (Apply to type test and sampling test)



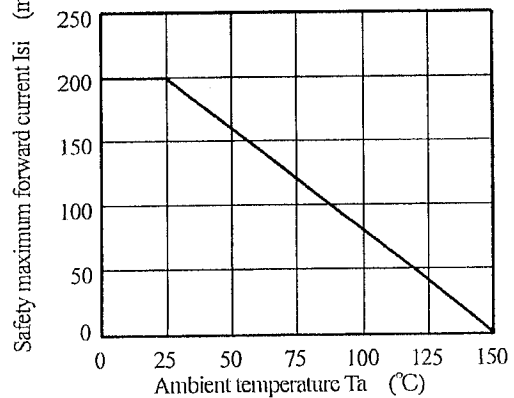
Method of Diagram 2: Non breakdown test (Apply to all device test)



(Fig. 6) Safety maximum power dissipation vs. ambient temperature (When failed)



(Fig. 7) Safety maximum forward current vs. ambient temperature (When failed)



Opto Specification

Opto/EC Group



NORTH AMERICA

Sharp Microelectronics of the Americas
5700 NW Pacific Rim Blvd.
Camas, WA 98607, U.S.A.
Phone: (1) 360-834-2500
Fax: (1) 360-834-8903
www.sharpsma.com

TAIWAN

Sharp Electronic Components
(Taiwan) Corporation
8F-A, No. 16, Sec. 4, Nanking E. Rd.
Taipei, Taiwan, Republic of China
Phone: (886) 2-2577-7341
Fax: (886) 2-2577-7326/2-2577-7328

CHINA

Sharp Microelectronics of China
(Shanghai) Co., Ltd.
28 Xin Jin Qiao Road King Tower 16F
Pudong Shanghai, 201206 P.R. China
Phone: (86) 21-5854-7710/21-5834-6056
Fax: (86) 21-5854-4340/21-5834-6057
Head Office:
No. 360, Bashen Road,
Xin Development Bldg. 22
Waigaoqiao Free Trade Zone Shanghai
200131 P.R. China
Email: smc@china.global.sharp.co.jp

EUROPE

Sharp Microelectronics Europe
Division of Sharp Electronics (Europe) GmbH
Sonninstrasse 3
20097 Hamburg, Germany
Phone: (49) 40-2376-2286
Fax: (49) 40-2376-2232
www.sharpsme.com

SINGAPORE

Sharp Electronics (Singapore) PTE., Ltd.
438A, Alexandra Road, #05-01/02
Alexandra Technopark,
Singapore 119967
Phone: (65) 271-3566
Fax: (65) 271-3855

KOREA

Sharp Electronic Components
(Korea) Corporation
RM 501 Geosung B/D, 541
Dohwa-dong, Mapo-ku
Seoul 121-701, Korea
Phone: (82) 2-711-5813 ~ 8
Fax: (82) 2-711-5819

JAPAN

Sharp Corporation
Electronic Components & Devices
22-22 Nagaïke-cho, Abeno-Ku
Osaka 545-8522, Japan
Phone: (81) 6-6621-1221
Fax: (81) 6117-725300/6117-725301
www.sharp-world.com

HONG KONG

Sharp-Roxy (Hong Kong) Ltd.
Level 26, Tower 1, Kowloon Commerce Centre,
No. 51, Kwai Cheong Road, Kwai Chung,
New Territories, Hong Kong
Phone: (852) 28229311
Fax: (852) 28660779
www.sharp.com.hk
Shenzhen Representative Office:
Room 602-603, 6/F,
International Chamber of Commerce Tower,
168 Fuhua Rd. 3, CBD,
Futian District, Shenzhen 518048,
Guangdong, P.R. China
Phone: (86) 755-88313505
Fax: (86) 755-88313515

SPECIFICATIONS ARE SUBJECT TO CHANGE WITHOUT NOTICE.

Suggested applications (if any) are for standard use; See Important Restrictions for limitations on special applications. See Limited Warranty for SHARP's product warranty.

The Limited Warranty is in lieu, and exclusive of, all other warranties, express or implied.

ALL EXPRESS AND IMPLIED WARRANTIES, INCLUDING THE WARRANTIES OF MERCHANTABILITY, FITNESS FOR USE AND FITNESS FOR A PARTICULAR PURPOSE, ARE SPECIFICALLY EXCLUDED. In no event will SHARP be liable, or responsible in any way, for any incidental or consequential economic or property damage.

Mouser Electronics

Authorized Distributor

Click to View Pricing, Inventory, Delivery & Lifecycle Information:

[Sharp Microelectronics:](#)

[PC851XNNIP0F](#)

OUR CERTIFICATE

DiGi provide top-quality products and perfect service for customer worldwide through standardization, technological innovation and continuous improvement. DiGi through third-party certification, we stricly control the quality of products and services. Welcome your RFQ to

Email: Info@DiGi-Electronics.com



Tel: +00 852-30501935

RFQ Email: Info@DiGi-Electronics.com

DiGi is a global authorized distributor of electronic components.