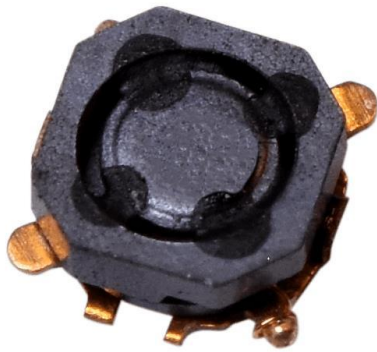


# F1A1-303015-4R7N Datasheet

[www.digi-electronics.com](http://www.digi-electronics.com)



<https://www.DiGi-Electronics.com>

DiGi Electronics Part Number	F1A1-303015-4R7N-DG
Manufacturer	<a href="#">Signal Transformer</a>
Manufacturer Product Number	F1A1-303015-4R7N
Description	FIXED IND 4.7UH 850MA 338 MOHM
Detailed Description	4.7 $\mu$ H Shielded Drum Core, Wirewound Inductor 850 mA 338Ohm Max Nonstandard



Tel: +00 852-30501935

RFQ Email: [Info@DiGi-Electronics.com](mailto:Info@DiGi-Electronics.com)

DiGi is a global authorized distributor of electronic components.



## Purchase and inquiry

Manufacturer Product Number:

F1A1-303015-4R7N

Series:

F1A1-303015

Type:

Drum Core, Wirewound

Inductance:

4.7  $\mu$ H

Current Rating (Amps):

850 mA

Shielding:

Shielded

Q @ Freq:

-

Ratings:

-

Inductance Frequency - Test:

100 kHz

Mounting Type:

Surface Mount

Supplier Device Package:

-

Height - Seated (Max):

0.059" (1.50mm)

Manufacturer:

Signal Transformer

Product Status:

Active

Material - Core:

-

Tolerance:

$\pm$ 30%

Current - Saturation (Isat):

600mA

DC Resistance (DCR):

3380hm Max

Frequency - Self Resonant:

-

Operating Temperature:

-40°C ~ 105°C

Features:

-

Package / Case:

Nonstandard

Size / Dimension:

0.118" L x 0.118" W (3.00mm x 3.00mm)

## Environmental & Export classification

RoHS Status:

ROHS3 Compliant

# F1A1-303012

# F1A1-303015

# F1A1-303018

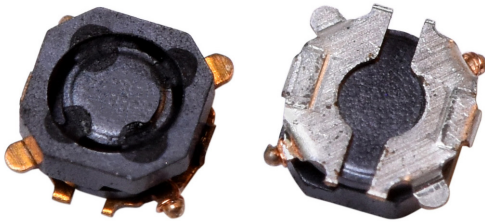
## Shielded SMD Power Inductors

Signal Transformer is introducing the beginning of a new family of low-profile shielded surface mount power inductors with the release of the first of three series, F1A1-303012/303015/303018. Height profiles of 1.2 mm to 1.8 mm, small footprints of 3.0 mm x 3.0 mm and broad range of inductance and current ratings, make them ideal for a wide range of applications.

Power inductors are an essential component in the voltage regulator topology. Virtually every circuit that regulates power in automobiles, electronics and DC-DC converters requires an inductor.

Magnetically shielded inductors minimize EMI while balancing small size with low DCR and high current ratings. Perfect as power chokes and for eliminating noise in power supplies in automotive, commercial, industrial, and high-reliability designs.

They are primarily used in electrical power and electronic devices for these major purposes: Choking, blocking, attenuating, or filtering/smoothing high frequency noise in electrical circuits. Storing and transferring energy in power converters (DC-DC or AC-DC) or inverters (DC-AC).



### General Features

- Surface Mount
- Low profile & compact size
- Magnetically shielded construction
  - Low radiation
- High saturation & high heating current
- Copper base with DR core & RI core
- Automated process

### Specifications

- Inductance Range: 1.2  $\mu$ H to 47  $\mu$ H
- Saturated Rated Current: 0.25 A to 1.1 A
- Temperature Rise Current: 0.23 A to 1.1 A
- Operating Temperature Range: -40°C to +105°C (Including coil self-temperature rise)
- Storage Temperature Range (component): -40°C to +125°C

### Applications

- DC-DC converters in consumer, industrial & telecom electronics
- Wearable devices
- HDDs, SSDs
- Smartphones
- Digital equipment
- Laptops, digital cameras
- Filtering of supply voltages

# F1A1-303012/303015/303018 Series Datasheet

## PRODUCT IDENTIFICATION

**F1A1 - 303012 - 100 M**

**Type / Product Series**

F1A1 = Shielded SMD Power Inductors

**Dimensions**

303012 = 3.0 x 3.0 x 1.2 mm

303015 = 3.0 x 3.0 x 1.5 mm

303018 = 3.0 x 3.0 x 1.8 mm

**Inductance \***

100 = 10  $\mu$ H

\* Note: Expressed by three figures. The unit is micro henry ( $\mu$ H). The first and second figures are significant digits, the third figure expresses the number of zeros which follow the two figures.

If there is a decimal point, it is expressed by the capital letter "R" (3R8 = 3.8  $\mu$ H). In that case, all figures are significant digits.

**Inductance Tolerance**

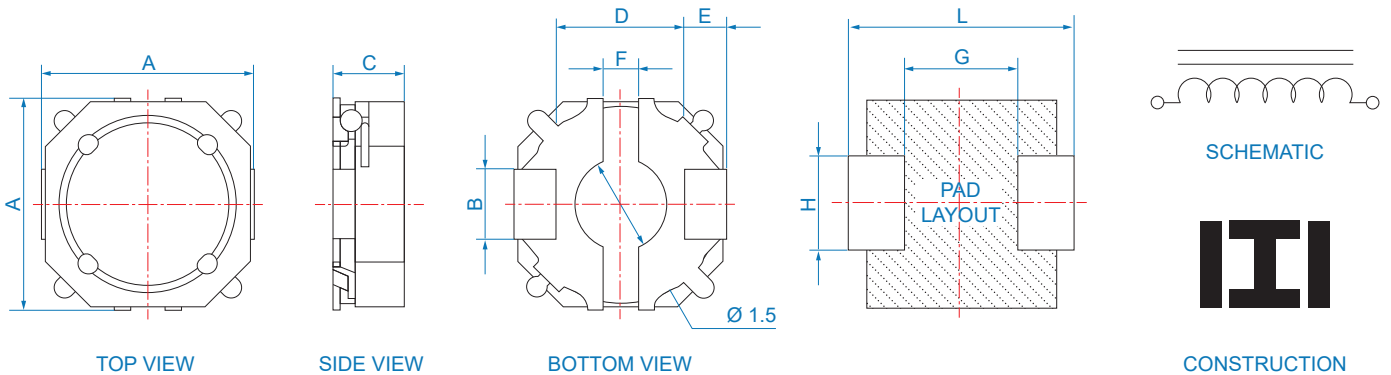
M =  $\pm$ 20%

N =  $\pm$ 30%

## MECHANICAL SPECIFICATIONS

Dimensions are in mm.

SERIES	A	B	C Max	D	E	F	G	H	L
F1A1-303012	3.0 $\pm$ 0.2	1.0	1.2	2.0	0.5	0.5	1.8	1.2	4.0
F1A1-303015	3.0 $\pm$ 0.2	1.0	1.5	2.0	0.5	0.5	1.8	1.2	4.0
F1A1-303018	3.0 $\pm$ 0.2	1.0	1.8	2.0	0.5	0.5	1.8	1.2	4.0



- Co-planarity: 0.15 Max
- Undeclared tolerance:  
 X.X  $\pm$  0.25 unless stated otherwise  
 X.XX  $\pm$  0.15 unless stated otherwise

Custom versions available upon request.



128 Atlantic Avenue, Lynbrook, NY 11563  
 Toll Free 866-239-5777 | Tel 516-239-5777 | Fax 516-239-7208  
 sales@signaltransformer.com | techhelp@signaltransformer.com

[belfuse.com/signal](http://belfuse.com/signal)

# F1A1-303012/303015/303018 Series Datasheet

## ELECTRICAL SPECIFICATIONS

Electrical specifications for all part numbers measured at 25°C unless stated otherwise.

### F1A1-303012 SERIES

Part Number	L ( $\mu$ H)	Tolerance ( $\pm$ %)	Test Freq. (0.1 V) (kHz)	DCR Max. (Typ.) (m $\Omega$ )	I <sub>SAT</sub> MAX. <sup>1</sup> (A)		I <sub>RMS</sub> MAX. <sup>2</sup> (A)
					25°C	100°C	
F1A1-303012-1R2N	1.2	30	100	117 (90)	0.85	0.70	1.05
F1A1-303012-2R2N	2.2	30	100	182 (140)	0.70	0.60	0.90
F1A1-303012-3R3N	3.3	30	100	260 (200)	0.60	0.50	0.82
F1A1-303012-4R7N	4.7	30	100	312 (240)	0.50	0.40	0.72
F1A1-303012-5R6N	5.6	30	100	442 (340)	0.46	0.35	0.67
F1A1-303012-6R8N	6.8	30	100	520 (400)	0.43	0.30	0.62
F1A1-303012-8R2N	8.2	30	100	560 (430)	0.38	0.28	0.58
F1A1-303012-100M	10.0	20	100	780 (600)	0.33	0.25	0.55

<sup>1</sup> I<sub>SAT</sub> (Saturation Rated Current): The current when the inductance becomes 30% lower than its initial value (Ta = 25°C and Ta = 100°C).

<sup>2</sup> I<sub>RMS</sub> (Temperature Rise Current): The current when the temperature of coil increases up to max.  $\Delta T = 40^\circ\text{C}$  (Ta = 25°C).

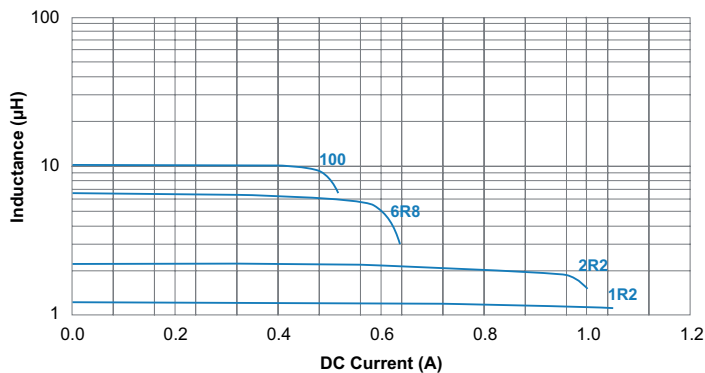
- Test equipment**

**L:** measured on Agilent 4284A LCR meter or equivalent

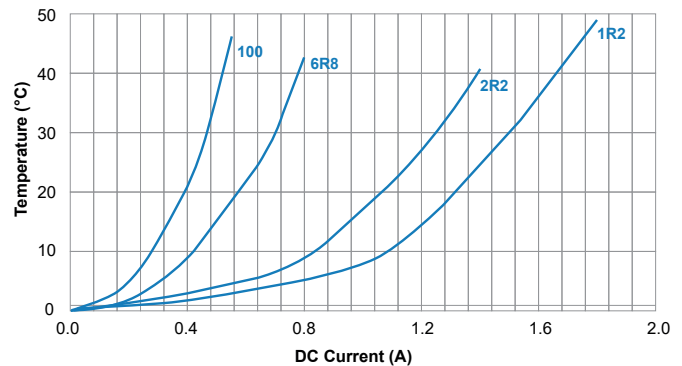
**DCR:** measured on Chroma 16502 micro-ohm meter or equivalent

**I<sub>SAT</sub> & I<sub>RMS</sub>:** measured on Agilent 4284A LCR meter with 42841A Current source or equivalent

## TYPICAL PERFORMANCE CURVES



Inductance vs DC current



Temperature rise vs DC current

Custom versions available upon request.



128 Atlantic Avenue, Lynbrook, NY 11563  
Toll Free 866-239-5777 | Tel 516-239-5777 | Fax 516-239-7208  
sales@signaltransformer.com | techhelp@signaltransformer.com

[belfuse.com/signal](http://belfuse.com/signal)

# F1A1-303012/303015/303018 Series Datasheet

## F1A1-303015 SERIES

Part Number	L ( $\mu\text{H}$ )	Tolerance ( $\pm$ %)	Test Freq. (0.1 V) (kHz)	DCR Max. (Typ.) (m $\Omega$ )	I <sub>SAT</sub> MAX. <sup>1</sup> (A)		I <sub>RMS</sub> MAX. <sup>2</sup> (A)
					25°C	100°C	
F1A1-303015-2R2N	2.2	30	100	150 (115)	1.00	0.80	1.00
F1A1-303015-3R3N	3.3	30	100	234 (180)	0.90	0.70	0.90
F1A1-303015-4R7N	4.7	30	100	338 (260)	0.80	0.60	0.85
F1A1-303015-5R6N	5.6	30	100	364 (280)	0.70	0.55	0.80
F1A1-303015-6R8N	6.8	30	100	416 (320)	0.60	0.52	0.77
F1A1-303015-8R2N	8.2	30	100	572 (440)	0.55	0.48	0.72
F1A1-303015-100M	10.0	20	100	624 (480)	0.50	0.45	0.70
F1A1-303015-120M	12.0	20	100	702 (540)	0.45	0.40	0.65
F1A1-303015-150M	15.0	20	100	949 (730)	0.40	0.35	0.50
F1A1-303015-180M	18.0	20	100	1090 (840)	0.35	0.30	0.40
F1A1-303015-220M	22.0	20	100	1250 (960)	0.30	0.25	0.30

<sup>1</sup> I<sub>SAT</sub> (Saturation Rated Current): The current when the inductance becomes 30% lower than its initial value (Ta = 25°C and Ta = 100°C).

<sup>2</sup> I<sub>RMS</sub> (Temperature Rise Current): The current when the temperature of coil increases up to max.  $\Delta T = 40^\circ\text{C}$  (Ta = 25°C).

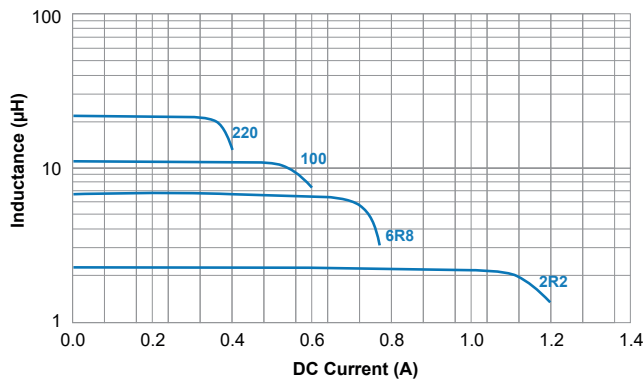
• **Test equipment**

**L:** measured on Agilent 4284A LCR meter or equivalent

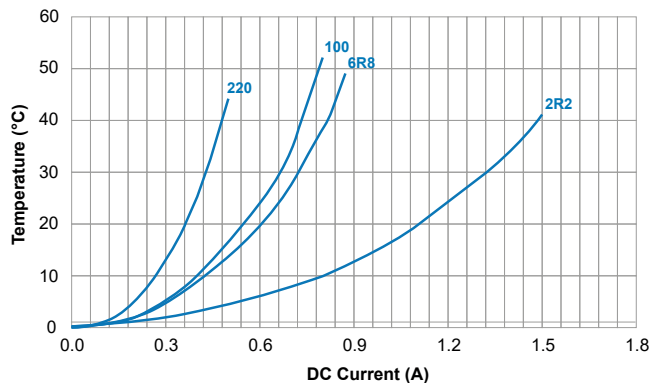
**DCR:** measured on Chroma 16502 micro-ohm meter or equivalent

**I<sub>SAT</sub> & I<sub>RMS</sub>:** measured on Agilent 4284A LCR meter with 42841A Current source or equivalent

## TYPICAL PERFORMANCE CURVES



Inductance vs DC current



Temperature rise vs DC current

Custom versions available upon request.



128 Atlantic Avenue, Lynbrook, NY 11563  
Toll Free 866-239-5777 | Tel 516-239-5777 | Fax 516-239-7208  
sales@signaltransformer.com | techhelp@signaltransformer.com

[belfuse.com/signal](http://belfuse.com/signal)

# F1A1-303012/303015/303018 Series Datasheet

## F1A1-303018 SERIES

Part Number	L ( $\mu\text{H}$ )	Tolerance ( $\pm$ %)	Test Freq. (0.1 V) (kHz)	DCR Max. (Typ.) (m $\Omega$ )	I <sub>SAT</sub> MAX. <sup>1</sup> (A)		I <sub>RMS</sub> MAX. <sup>2</sup> (A)
					25°C	100°C	
F1A1-303018-2R2N	2.2	30	100	117 (90)	1.10	0.90	1.10
F1A1-303018-3R3N	3.3	30	100	143 (110)	1.00	0.80	1.00
F1A1-303018-4R7N	4.7	30	100	221 (170)	0.80	0.70	0.90
F1A1-303018-5R6N	5.6	30	100	247 (190)	0.75	0.60	0.85
F1A1-303018-6R8N	6.8	30	100	312 (240)	0.70	0.55	0.82
F1A1-303018-8R2N	8.2	30	100	351 (270)	0.60	0.50	0.78
F1A1-303018-100M	10.0	20	100	468 (360)	0.55	0.48	0.75
F1A1-303018-120M	12.0	20	100	533 (410)	0.50	0.45	0.65
F1A1-303018-150M	15.0	20	100	598 (460)	0.45	0.40	0.55
F1A1-303018-180M	18.0	20	100	715 (550)	0.40	0.33	0.50
F1A1-303018-220M	22.0	20	100	975 (750)	0.38	0.30	0.45
F1A1-303018-270M	27.0	20	100	1105 (850)	0.33	0.25	0.40
F1A1-303018-330M	33.0	20	100	1222 (940)	0.30	0.23	0.33
F1A1-303018-390M	39.0	20	100	1625 (1250)	0.25	0.20	0.28
F1A1-303018-470M	47.0	20	100	1820 (1400)	0.23	0.18	0.25

<sup>1</sup> I<sub>SAT</sub> (Saturation Rated Current): The current when the inductance becomes 30% lower than its initial value (Ta = 25°C and Ta = 100°C).

<sup>2</sup> I<sub>RMS</sub> (Temperature Rise Current): The current when the temperature of coil increases up to max.  $\Delta T = 40^\circ\text{C}$  (Ta = 25°C).

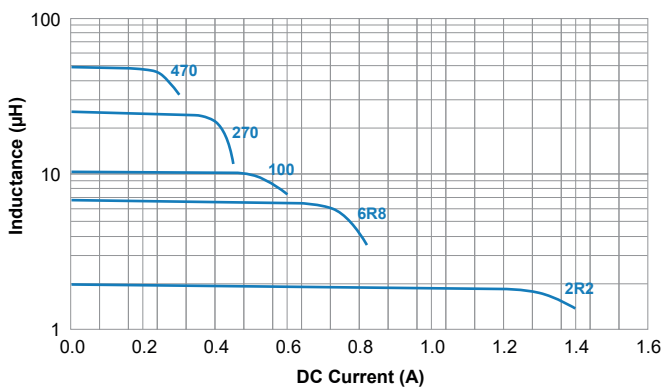
• **Test equipment**

**L:** measured on Agilent 4284A LCR meter or equivalent

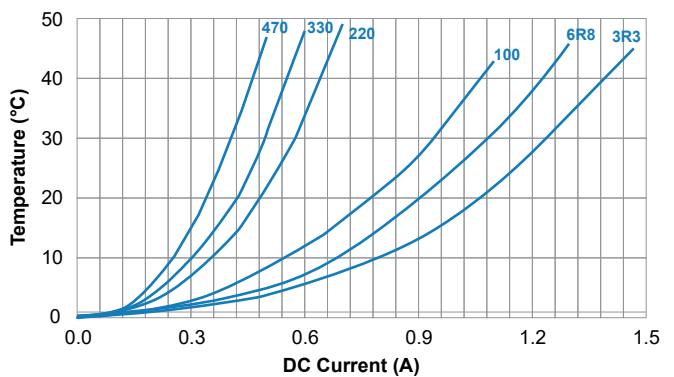
**DCR:** measured on Chroma 16502 micro-ohm meter or equivalent

**I<sub>SAT</sub> & I<sub>RMS</sub>:** measured on Agilent 4284A LCR meter with 42841A Current source or equivalent

## TYPICAL PERFORMANCE CURVES



Inductance vs DC current



Temperature rise vs DC current

Custom versions available upon request.



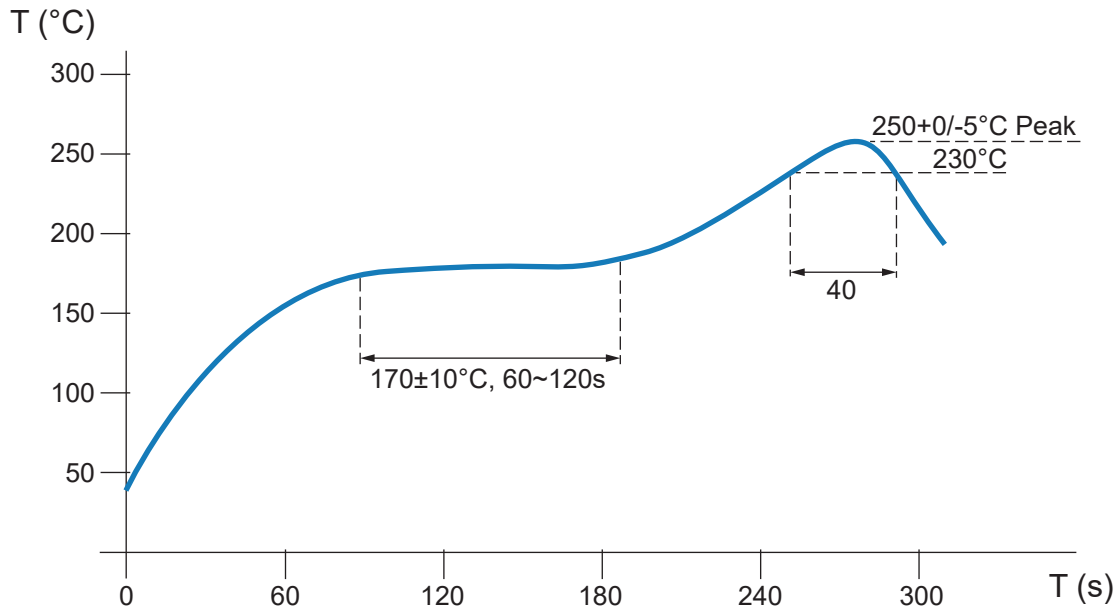
128 Atlantic Avenue, Lynbrook, NY 11563  
 Toll Free 866-239-5777 | Tel 516-239-5777 | Fax 516-239-7208  
 sales@signaltransformer.com | techhelp@signaltransformer.com

[belfuse.com/signal](http://belfuse.com/signal)



# F1A1-303012/303015/303018 Series Datasheet

## RECOMMENDED REFLOW SOLDERING CONDITIONS



- **ADD**

The recommended reflow conditions as above graph, is set according to our soldering equipment.

Since various manufactures may have different reflow soldering equipment, products, process conditions, set methods, etc., when setting the reflow conditions, please adjust and confirm according to users' environment/equipment.

- **Notice**

- Solder reflow temperature:  $+250^{\circ}\text{C}$  max. for maximum 10 seconds
- It is not recommended to solder inductors by soldering iron
- Please contact us for details

**Custom versions available upon request.**



128 Atlantic Avenue, Lynbrook, NY 11563  
Toll Free 866-239-5777 | Tel 516-239-5777 | Fax 516-239-7208  
sales@signaltransformer.com | techhelp@signaltransformer.com

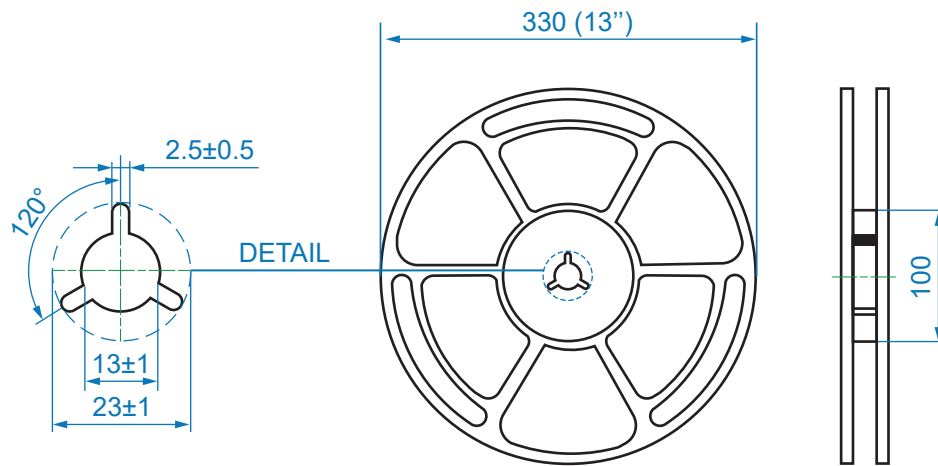
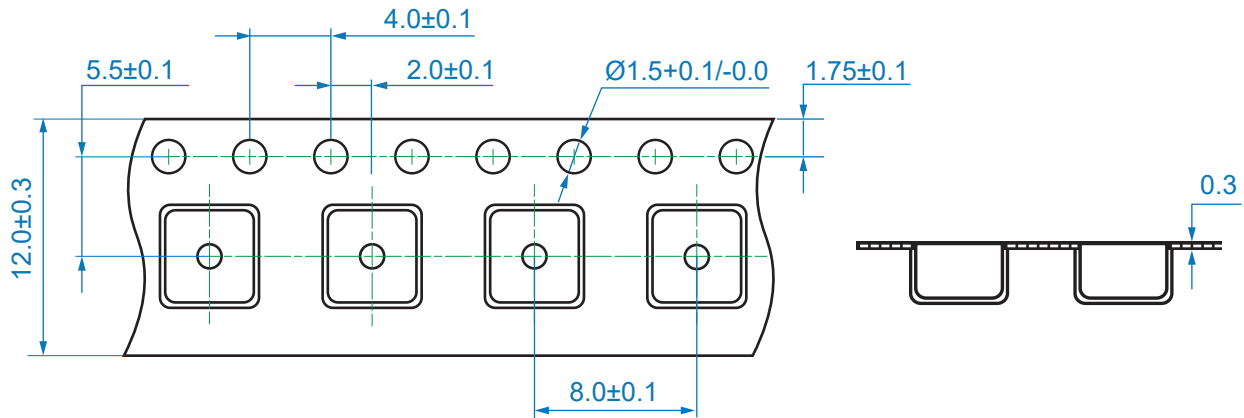
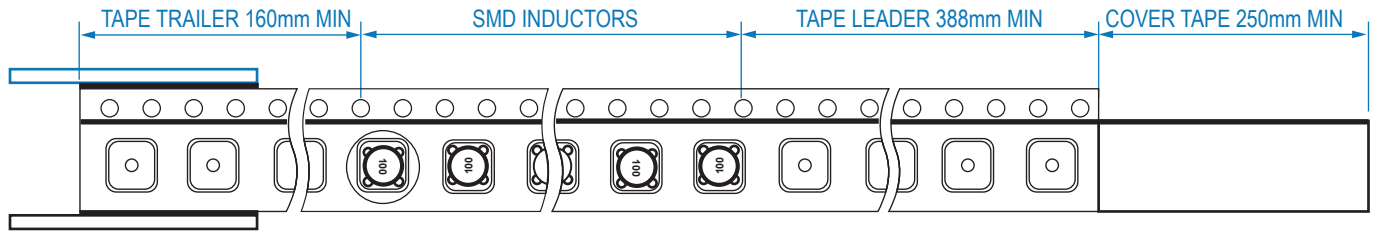
[belfuse.com/signal](https://belfuse.com/signal)



# F1A1-303012/303015/303018 Series Datasheet

## TAPE & REEL SPECIFICATIONS

Dimension unit: mm



Taping specification: EIA -481 Compliant

**Custom versions available upon request.**

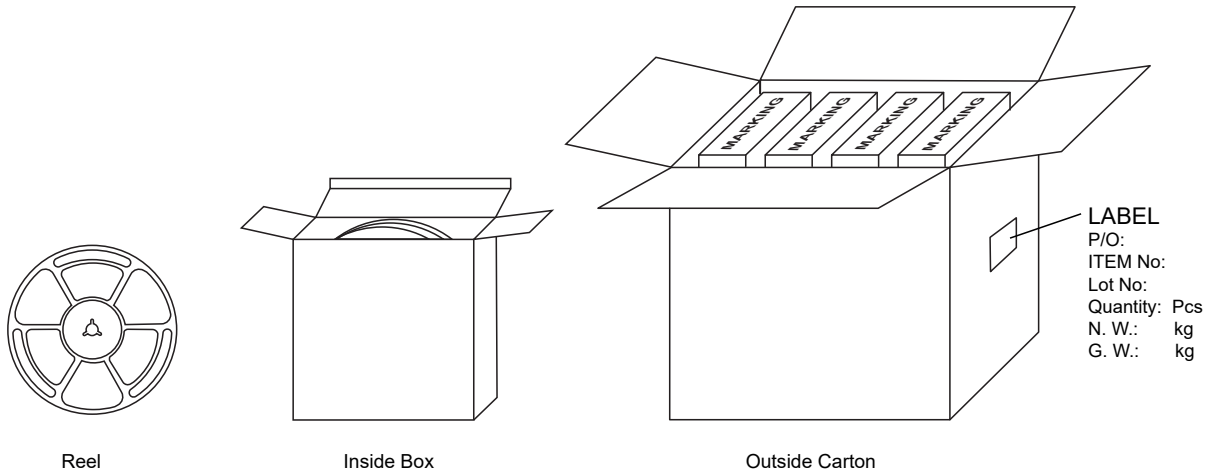


128 Atlantic Avenue, Lynbrook, NY 11563  
Toll Free 866-239-5777 | Tel 516-239-5777 | Fax 516-239-7208  
sales@signaltransformer.com | techhelp@signaltransformer.com

[belfuse.com/signal](http://belfuse.com/signal)

# F1A1-303012/303015/303018 Series Datasheet

## PACKAGING SPECIFICATIONS



Series	Packaging Quantity (pcs)		
	Reel	Inside box	Outside carton
F1A1-303012	4000	20000	80000
F1A1-303015	4000	20000	80000
F1A1-303018	3500	17500	70000

- Storage Conditions**

- Temperature and humidity conditions < 35°C and < 35 - 65 %
- Recommendations: Inductors should be used within 6 months from the time of delivery
- Packaging material should be kept away from where chlorine and sulfur exist

**Custom versions available upon request.**

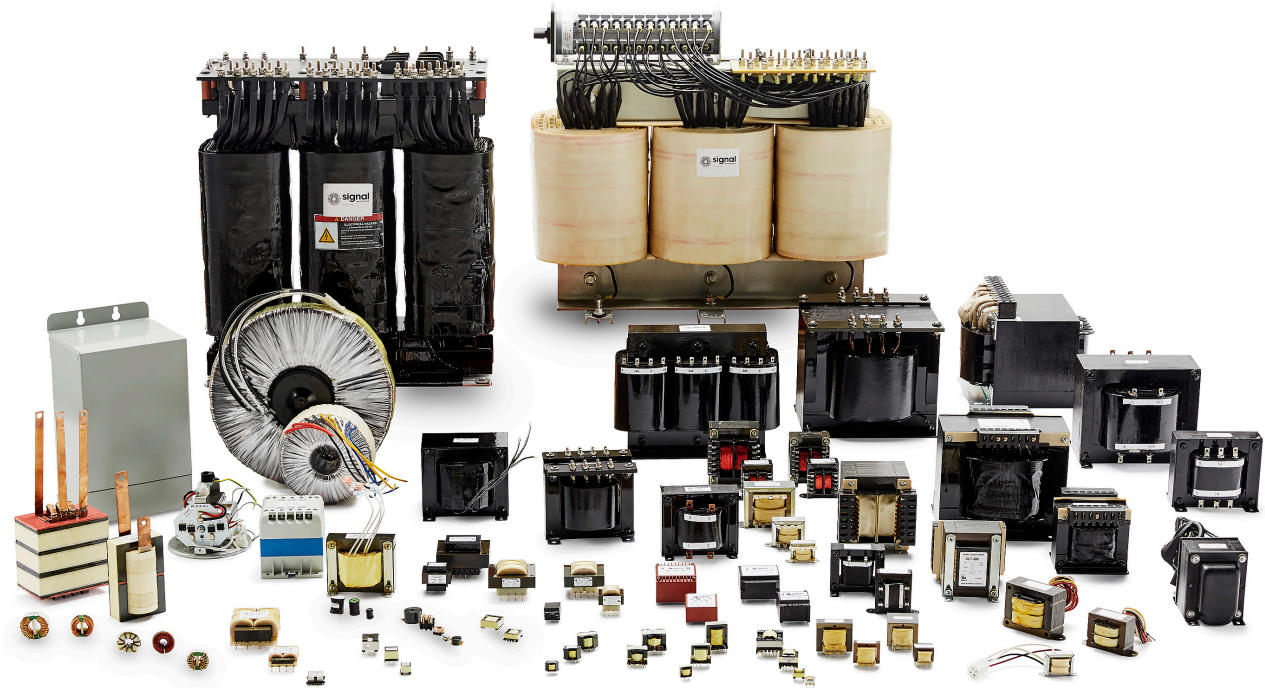


128 Atlantic Avenue, Lynbrook, NY 11563  
 Toll Free 866-239-5777 | Tel 516-239-5777 | Fax 516-239-7208  
 sales@signaltransformer.com | techhelp@signaltransformer.com

[belfuse.com/signal](http://belfuse.com/signal)

## About Signal Transformer

Signal Transformer is known as the world's leader of wire wound magnetic solutions since 1959. With over 50 years of experience manufacturing transformers, chokes, inductors and custom or modified standard products. Signal offers not only the most comprehensive line of certified standard power conversion products, with our vast engineering, manufacturing and regulatory resources; Signal Transformer excels in the design and manufacturer of cost effective, specialized platforms.



**For more information,  
please contact us:**

128 Atlantic Avenue  
Lynbrook, NY 11563

**Toll Free +1 866-239-5777**

Tel +1 516-239-5777

Fax +1 516-239-7208

sales@signaltransformer.com  
techhelp@signaltransformer.com

[belfuse.com/signal](https://www.belfuse.com/signal)





## OUR CERTIFICATE

DiGi provide top-quality products and perfect service for customer worldwide through standardization, technological innovation and continuous improvement. DiGi through third-party certification, we stricly control the quality of products and services. Welcome your RFQ to

Email: [Info@DiGi-Electronics.com](mailto:Info@DiGi-Electronics.com)



Tel: +00 852-30501935

RFQ Email: [Info@DiGi-Electronics.com](mailto:Info@DiGi-Electronics.com)

DiGi is a global authorized distributor of electronic components.