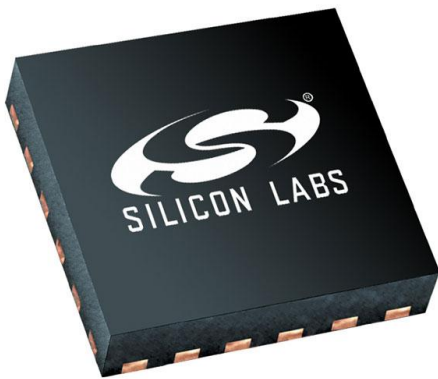


SI2141-A10-GM Datasheet

www.digi-electronics.com



<https://www.DiGi-Electronics.com>

DiGi Electronics Part Number	SI2141-A10-GM-DG
Manufacturer	Skyworks Solutions Inc.
Manufacturer Product Number	SI2141-A10-GM
Description	IC VIDEO TUNER 24QFN
Detailed Description	Video Tuner IC GPIO 24-QFN (3x3) Package

This model SI2141-A10-GM is available at DiGi Electronics.

DiGi Electronics offers a global database of semiconductor and electronic component datasheets.

We welcome your inquiries regarding pricing, lead time, or other product-related questions.

 [Request a Quote](#)

 [Datasheet Search](#)



Tel: +00 852-30501935

RFQ Email: Info@DiGi-Electronics.com

DiGi is a global authorized distributor of electronic components.

Purchase and inquiry

Manufacturer Product Number:

SI2141-A10-GM

Series:

-

Function:

Tuner

Standards:

-

Voltage - Supply:

1.8V, 3.3V

Package / Case:

24-VFQFN Exposed Pad

Base Product Number:

SI2141

Manufacturer:

Skyworks Solutions Inc.

Product Status:

Active

Applications:

Consumer Video

Control Interface:

GPIO

Mounting Type:

Surface Mount

Supplier Device Package:

24-QFN (3x3)

Environmental & Export classification

Moisture Sensitivity Level (MSL):

2 (1 Year)

HTSUS:

8542.39.0001

ECCN:

EAR99



Si2141

Worldwide Digital TV Tuner

Description

The Si2141 is the industry's most advanced digital TV tuner supporting all worldwide terrestrial and cable TV standards for digital TV reception. Leveraging five generations of field-proven digital TV tuner technology, the Si2141 delivers the same or better RF performance as Skyworks' Si2147 digital TV tuner while further reducing footprint size and bill of materials cost.

Available in an industry-leading 3x3 mm QFN package, the Si2141 eliminates the need for an external balun, LNAs, SAW filters, and inductive power supply filtering to deliver the lowest-cost, most design-friendly and area-efficient solution available today. While competing solutions may also eliminate the balun, they suffer degradation in NF and second-order distortion, compromising reception. A fully-integrated 1.8 V LDO enables single supply operation, while a dual supply option offers additional system flexibility. Increased immunity to LTE interference and a harmonic rejection mixer with outstanding immunity to Wi-Fi interference eliminate the need for external filtering.

For advanced digital broadcast standards with high-order constellations, such as DVB-T2 and DVB-C2, the superior integrated phase noise of the Si2141 provides several dB of improved reception performance compared to competing solutions. Additionally, a software-selectable cable mode offers optimized return loss.

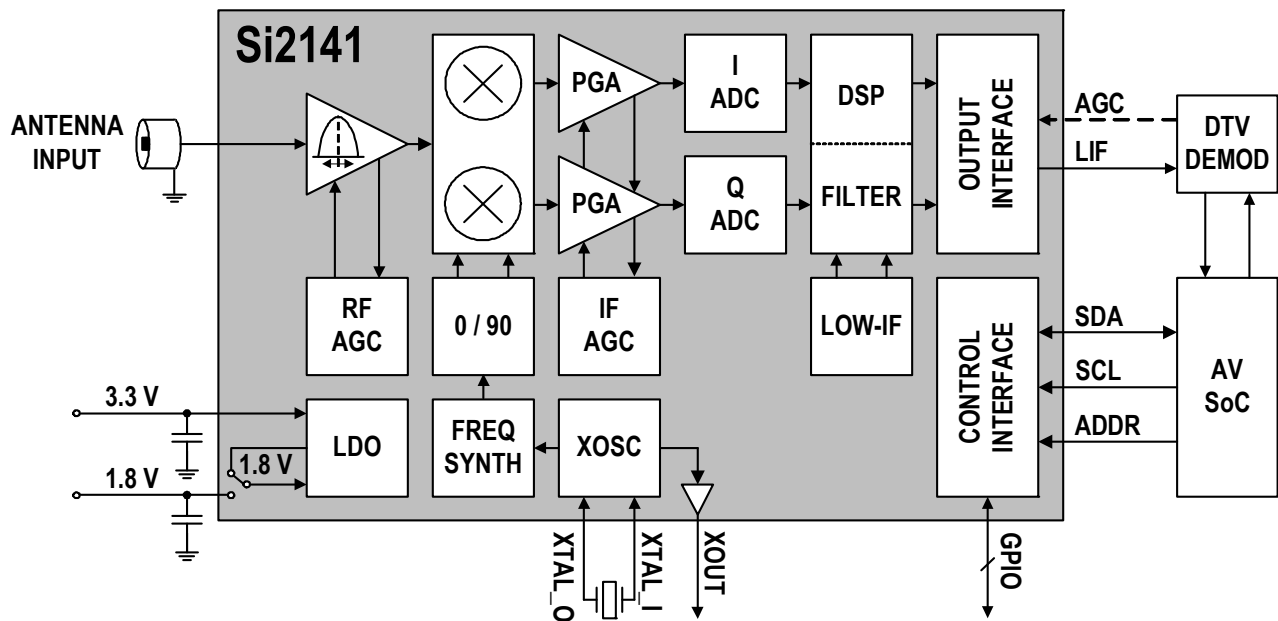
The Si2141 delivers exceptional picture quality and a higher number of received stations when compared to other silicon tuners. Incorporating worldwide field experience from five prior digital tuner generations in mass production, the Si2141 delivers the highest tolerance to real-world reception conditions.

Features

- Worldwide digital TV tuner
ATSC/QAM, DVB-T2/T/C2/C, ISDB-T/C, DTMB
1.7 MHz, 6 MHz, 7 MHz, 8 MHz, and 10 MHz
channel bandwidths
- Industry-leading margin to A/74, NorDig, D-Book, C-Book, ARIB, EN55020, OpenCable™, DTMB
- Lowest BOM for a silicon digital TV tuner
No balun
No SAW filters or wire-wound inductors
Integrated LNAs and complete tracking filters
- Best-in-class real-world reception
Industry-leading phase noise performance
High immunity to Wi-Fi and LTE interference
- Low power consumption
3.3 V and 1.8 V power supplies
Integrated 1.8 V LDO for 3.3 V single-supply
operation
- Single LIF output to SoC and/or demodulator
- Standard CMOS process technology
- Smallest footprint for a silicon digital TV tuner
3x3 mm, RoHS-compliant 24-pin QFN

Applications

- Digital ½-NIM tuner module
- iDTV (Integrated Digital TV)
- Digital terrestrial and cable STB
- Digital PVR, DVD and Blu-Ray disc recorder
- PC-TV accessories





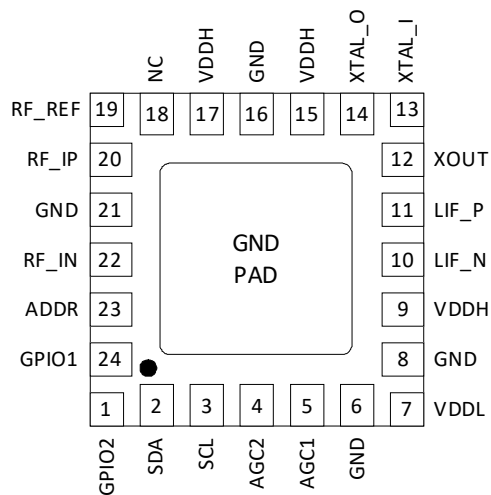
Si2141

Worldwide Digital TV Tuner

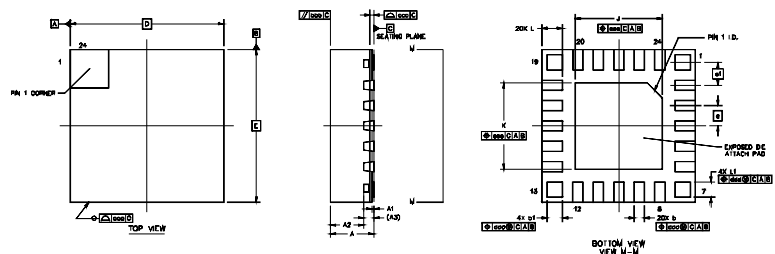
Table 1. Selected Electrical Specifications
 $(V_{DDH} = 3.3\text{ V}, V_{DDL} = 1.8\text{ V}, T_A = 25\text{ }^\circ\text{C})$

Parameter	Test Condition	Typ	Unit
Supply Voltage		1.8 and 3.3, or only 3.3	V
Total Power Consumption	External 1.8 V supply	494	mW
RF Input Frequency Range		42 to 1002	MHz
NF, terrestrial*	VHF-L1 (42–103 MHz)	3.6	dB
	VHF-L2 (104–198 MHz)	2.3	dB
	VHF-H (199–470 MHz)	3.0	dB
	UHF (471–870 MHz)	3.2	dB
Return Loss*	Terrestrial mode	3	dB
	Cable mode	8	dB
Out-of-band IIP3*	VHF-H, $N \pm 18, \pm 36$	+5	dBm
In-Band IIP3*	VHF-H, $N \pm 1, \pm 2$	-6	dBm
LO Phase Noise at 860 MHz	1 kHz 10 kHz 100 kHz 1 MHz	-100 -100 -105 -132	dBc/Hz
LO Integrated Phase Noise at 860 MHz	DSB: 125 Hz to 4 MHz offset	0.25 (-47)	$^\circ$ rms (dBc)
LIF Output Center Frequency	Channel BW = 6 MHz 7 MHz 8 MHz	4 to 7 4.5 to 6.5 5 to 6	MHz

Pin Assignments



3x3 mm QFN-24 Package Information



Dimension	Min	Nom	Max	Unit
A	0.80	0.85	0.90	mm
D, E	3.00 BSC			mm
e	0.40 BSC			mm
e1	0.45 BSC			mm
J, K	1.60	1.70	1.80	mm

OUR CERTIFICATE

DiGi provide top-quality products and perfect service for customer worldwide through standardization, technological innovation and continuous improvement. DiGi through third-party certification, we stricly control the quality of products and services. Welcome your RFQ to

Email: Info@DiGi-Electronics.com



Tel: +00 852-30501935

RFQ Email: Info@DiGi-Electronics.com

DiGi is a global authorized distributor of electronic components.