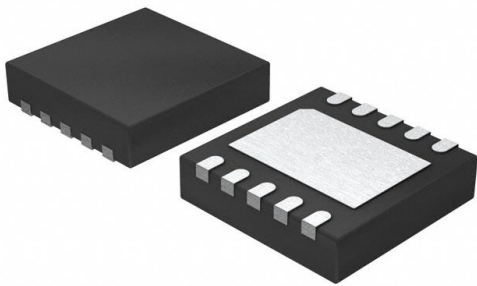


SI52112-A1-GM2 Datasheet

www.digi-electronics.com



<https://www.DiGi-Electronics.com>

| | |
|------------------------------|--|
| DiGi Electronics Part Number | SI52112-A1-GM2-DG |
| Manufacturer | Skyworks Solutions Inc. |
| Manufacturer Product Number | SI52112-A1-GM2 |
| Description | IC OSC PCI EXPRESS 2OUTPUT |
| Detailed Description | PCI Express (PCIe) IC 100MHz 1 Output 10-TDFN (3x 3) |

This model SI52112-A1-GM2 is available at DiGi Electronics.

DiGi Electronics offers a global database of semiconductor and electronic component datasheets.

We welcome your inquiries regarding pricing, lead time, or other product-related questions.

 [Request a Quote](#)

 [Datasheet Search](#)



Tel: +00 852-30501935

RFQ Email: Info@DiGi-Electronics.com

DiGi is a global authorized distributor of electronic components.

Purchase and inquiry

Manufacturer Product Number:

SI52112-A1-GM2

Series:

-

DiGi-Electronics Programmable:

Not Verified

Main Purpose:

PCI Express (PCIe)

Output:

HCSL

Ratio - Input:Output:

1:2

Frequency - Max:

100MHz

Operating Temperature:

-40°C ~ 85°C

Package / Case:

10-WDFN Exposed Pad

Base Product Number:

SI52112

Manufacturer:

Skyworks Solutions Inc.

Product Status:

Obsolete

PLL:

Yes

Input:

Clock, Crystal

Number of Circuits:

1

Differential - Input:Output:

No/Yes

Voltage - Supply:

2.97V ~ 3.63V

Mounting Type:

Surface Mount

Supplier Device Package:

10-TDFN (3x3)

Environmental & Export classification

Moisture Sensitivity Level (MSL):

1 (Unlimited)

HTSUS:

8542.39.0001

ECCN:

EAR99

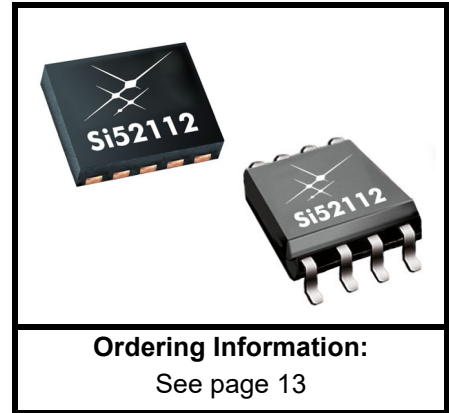


Si52112-A1/A2

PCI-EXPRESS GEN 1 DUAL OUTPUT CLOCK GENERATOR

Features

- PCI-Express Gen 1 compliant
- Low power HCSL differential output buffers
- Supports Serial-ATA (SATA) at 100 MHz
- No termination resistors required
- 25 MHz Crystal Input or Clock input
- Triangular spread spectrum profile for maximum EMI reduction (Si52112-A2)
- Extended Temperature: -40 to 85 °C
- 3.3 V Power supply
- Small package 10-pin TDFN (3x3 mm)
- Si52112-A1 does not support spread spectrum outputs
- Si52112-A2 supports 0.5% down spread outputs
- For PCIe Gen 2 applications, see Si52112-B3/B4
- For PCIe Gen 3 applications, see Si52112-B5/B6

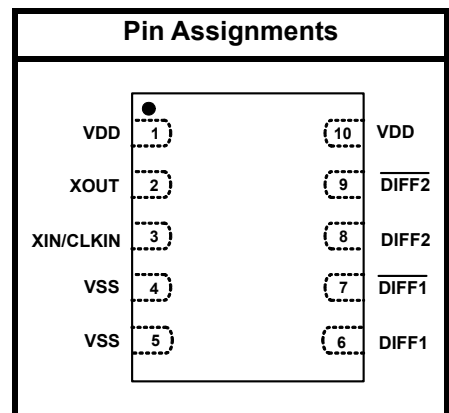


Applications

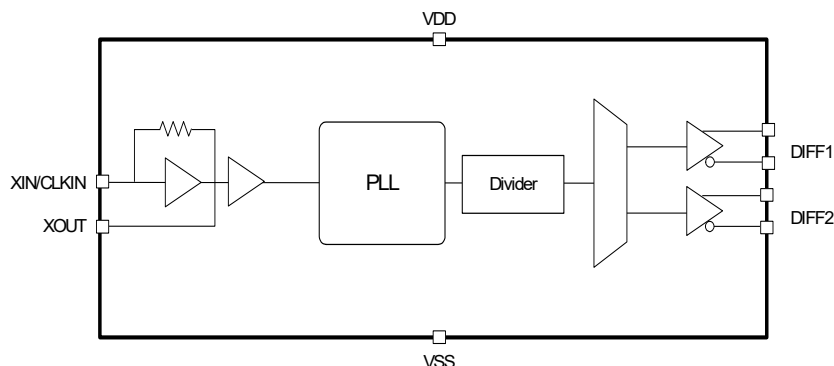
- Network Attached Storage
- Wireless Access Point
- Multi-function Printer
- Routers

Description

Si52112-A1/A2 is a high-performance, PCIe clock generator that can source two PCIe clocks from a 25 MHz crystal or clock input. The clock outputs are compliant to PCIe Gen 1 specifications. The ultra-small footprint (3x3 mm) and industry leading low power consumption make Si52112-A1/A2 the ideal clock solution for consumer and embedded applications.



Patents pending



Si52112-A1/A2

TABLE OF CONTENTS

| Section | Page |
|--|-------------|
| 1. Electrical Specifications | 4 |
| 2. Crystal Recommendations | 7 |
| 2.1. Crystal Loading | 7 |
| 2.2. Calculating Load Capacitors | 8 |
| 3. Test and Measurement Setup | 9 |
| 4. Pin Descriptions | 11 |
| 4.1. 10-Pin TDFN | 11 |
| 4.2. 8-Pin TSSOP | 12 |
| 5. Ordering Guide | 13 |
| 6. Package Outlines | 14 |
| 6.1. TDFN Package | 14 |
| 6.2. TSSOP Package | 16 |
| 7. Recommended Design Guideline | 18 |
| Document Change List | 19 |
| Contact Information | 20 |

Si52112-A1/A2

1. Electrical Specifications

Table 1. Recommended Operating Conditions

| Parameter | Symbol | Test Condition | Min | Typ | Max | Unit |
|-----------------------------|----------------------|-----------------|------|-----|------|------|
| Supply Voltage (extended) | $V_{DD(extended)}$ | 3.3 V \pm 5% | 3.13 | 3.3 | 3.46 | V |
| Supply Voltage (commercial) | $V_{DD(commercial)}$ | 3.3 V \pm 10% | 2.97 | 3.3 | 3.63 | V |

Table 2. DC Electrical Specifications

| Parameter | Symbol | Test Condition | Min | Typ | Max | Unit |
|--------------------------|-----------|------------------------|------|------|------|------|
| Operating Voltage | V_{DD} | 3.3 V \pm 10% | 2.97 | 3.30 | 3.63 | V |
| Operating Supply Current | I_{DD} | Full Active | — | — | 17 | mA |
| Input Pin Capacitance | C_{IN} | Input Pin Capacitance | — | 3 | 5 | pF |
| Output Pin Capacitance | C_{OUT} | Output Pin Capacitance | — | — | 5 | pF |

Si52112-A1/A2**Table 3. AC Electrical Specifications**

| Parameter | Symbol | Test Condition | Min | Typ | Max | Unit |
|---|----------------|--|------|------|--------------|------|
| Crystal | | | | | | |
| Long-term Accuracy | L_{ACC} | Measured at $V_{DD}/2$ differential | — | — | 250 | ppm |
| Clock Input | | | | | | |
| CLKIN Duty Cycle | T_{DC} | Measured at $V_{DD}/2$ | 45 | — | 55 | % |
| CLKIN Rise and Fall Times | T_R/T_F | Measured between $0.2 V_{DD}$ and $0.8 V_{DD}$ | 0.5 | — | 4.0 | V/ns |
| CLKIN Cycle-to-Cycle Jitter | T_{CCJ} | Measured at $V_{DD}/2$ | — | — | 250 | ps |
| CLKIN Long Term Jitter | T_{LTJ} | Measured at $V_{DD}/2$ | — | — | 350 | ps |
| Input High Voltage | V_{IH} | XIN/CLKIN pin | 2 | — | $V_{DD}+0.3$ | V |
| Input Low Voltage | V_{IL} | XIN/CLKIN pin | — | — | 0.8 | V |
| Input High Current | I_{IH} | XIN/CLKIN pin, $V_{IN} = V_{DD}$ | — | — | 35 | uA |
| Input Low Current | I_{IL} | XIN/CLKIN pin, $0 < V_{IN} < 0.8$ | -35 | — | — | uA |
| DIFF Clocks | | | | | | |
| Duty Cycle | T_{DC} | Measured at 0 V differential | 45 | — | 55 | % |
| Skew | T_{SKEW} | Measured at 0 V differential | — | — | 60 | ps |
| Output Frequency | F_{OUT} | $V_{DD} = 3.3 V$ | — | 100 | — | MHz |
| Frequency Accuracy | F_{ACC} | All output clocks | — | — | 100 | ppm |
| Slew Rate | $t_{r/f2}$ | Measured differentially from $\pm 150 mV$ | 0.6 | — | 4.0 | V/ns |
| Cycle-to-Cycle Jitter | T_{CCJ} | Measured at 0 V differential | — | 28 | 70 | ps |
| PCIe Gen 1 Pk-Pk Jitter | $Pk-Pk_{GEN1}$ | PCIe Gen 1 | — | 24 | 86 | ps |
| Crossing Point Voltage at 0.7 V Swing | V_{OX} | | 300 | — | 550 | mV |
| Voltage High | V_{HIGH} | | — | — | 1.15 | V |
| Voltage Low | V_{LOW} | | -0.3 | — | — | V |
| Spread Range | S_{RNG} | Down Spread, -A2 only | — | -0.5 | — | % |
| Modulation Frequency | F_{MOD} | -A2 only | 30 | 31.5 | 33 | kHz |
| Enable/Disable and Set-up | | | | | | |
| Clock Stabilization from Power-up | T_{STABLE} | | — | — | 3 | ms |
| Stopclock Set-up Time | T_{SS} | | 10.0 | — | — | ns |
| Note: Visit www.pcisig.com for complete PCIe specifications. | | | | | | |

Si52112-A1/A2

Table 4. Thermal Conditions

| Parameter | Symbol | Test Condition | Min | Typ | Max | Unit |
|--|---------------|-----------------|-----|-----|-------|------|
| Temperature, Storage | T_S | Non-functional | -65 | — | 150 | °C |
| Temperature, Operating Ambient | T_A | Functional | -40 | — | 85 | °C |
| Temperature, Junction | T_J | Functional | — | — | 150 | °C |
| Dissipation, Junction to Case (TDFN) | θ_{JC} | JEDEC (JESD 51) | — | — | 38.3 | °C/W |
| Dissipation, Junction to Case (TSSOP) | θ_{JC} | JEDEC (JESD 51) | — | — | 37.0 | °C/W |
| Dissipation, Junction to Ambient (TDFN) | θ_{JA} | JEDEC (JESD 51) | — | — | 90.4 | °C/W |
| Dissipation, Junction to Ambient (TSSOP) | θ_{JA} | JEDEC (JESD 51) | — | — | 124.0 | °C/W |

Table 5. Absolute Maximum Conditions

| Parameter | Symbol | Test Condition | Min | Typ | Max | Unit |
|---|----------------|------------------------|------|-----|-----|----------|
| Main Supply Voltage | $V_{DD_3.3V}$ | | — | — | 4.6 | V |
| Input Voltage | V_{IN} | Relative to V_{SS} | -0.5 | — | 4.6 | V_{DC} |
| ESD Protection (Human Body Model) | ESD_{HBM} | JEDEC (JESD 22 - A114) | 2000 | — | — | V |
| Flammability Rating | UL-94 | UL (Class) | V-0 | | | |
| Note: While using multiple power supplies, the voltage on any input or I/O pin cannot exceed the power pin during power-up. Power supply sequencing is not required. | | | | | | |

2. Crystal Recommendations

If using a crystal input, the device requires a parallel resonance crystal.

Table 6. Crystal Recommendations

| Frequency (Fund) | Cut | Loading | Load Cap | ESR | Drive | Shunt Cap (max) | Motional (max) | Tolerance (max) | Stability (max) | Aging (max) |
|------------------|-----|----------|----------|--------------|--------------|-----------------|----------------|-----------------|-----------------|-------------|
| 25 MHz | AT | Parallel | 12–15 pF | <50 Ω | >150 μ W | 5 pF | 0.016 pF | 35 ppm | 30 ppm | 5 ppm |

2.1. Crystal Loading

Crystal loading is critical in achieving low ppm performance. To realize low ppm performance, use the total capacitance the crystal sees to calculate the appropriate capacitive loading (C_L).

Figure 1 shows a typical crystal configuration using two trim capacitors. It is important that the trim capacitors are in series with the crystal.

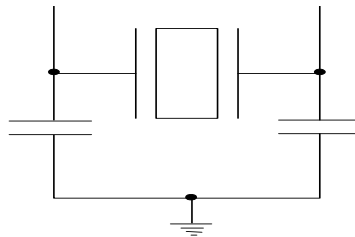


Figure 1. Crystal Capacitive Clarification

Si52112-A1/A2

2.2. Calculating Load Capacitors

In addition to the standard external trim capacitors, consider the trace capacitance and pin capacitance to calculate the crystal loading correctly. Again, the capacitance on each side is in series with the crystal. The total capacitance on both sides is twice the specified crystal load capacitance (C_L). Trim capacitors are calculated to provide equal capacitive loading on both sides.

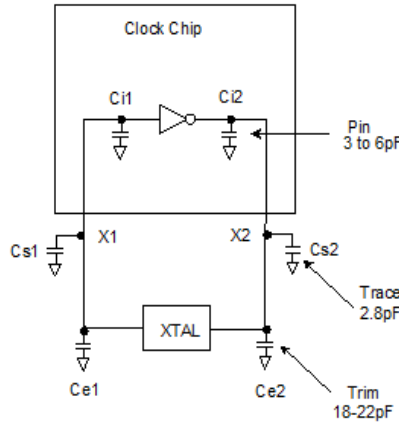


Figure 2. Crystal Loading Example

Use the following formulas to calculate the trim capacitor values for C_{e1} and C_{e2} .

Load Capacitance (each side)

$$C_e = 2 \times C_L - (C_s + C_i)$$

Total Capacitance (as seen by the crystal)

$$C_{Le} = \frac{1}{\left(\frac{1}{C_{e1} + C_{s1} + C_{i1}} + \frac{1}{C_{e2} + C_{s2} + C_{i2}} \right)}$$

- C_L : Crystal load capacitance
- C_{Le} : Actual loading seen by crystal using standard value trim capacitors
- C_e : External trim capacitors
- C_s : Stray capacitance (terraced)
- C_i : Internal capacitance (lead frame, bond wires, etc.)

Si52112-A1/A2

3. Test and Measurement Setup

Figures 3 through 5 show the test load configuration for the differential clock signals.

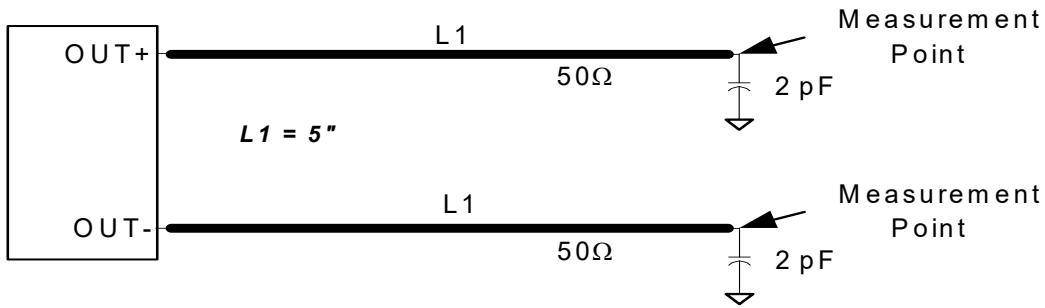


Figure 3. 0.7 V Differential Load Configuration

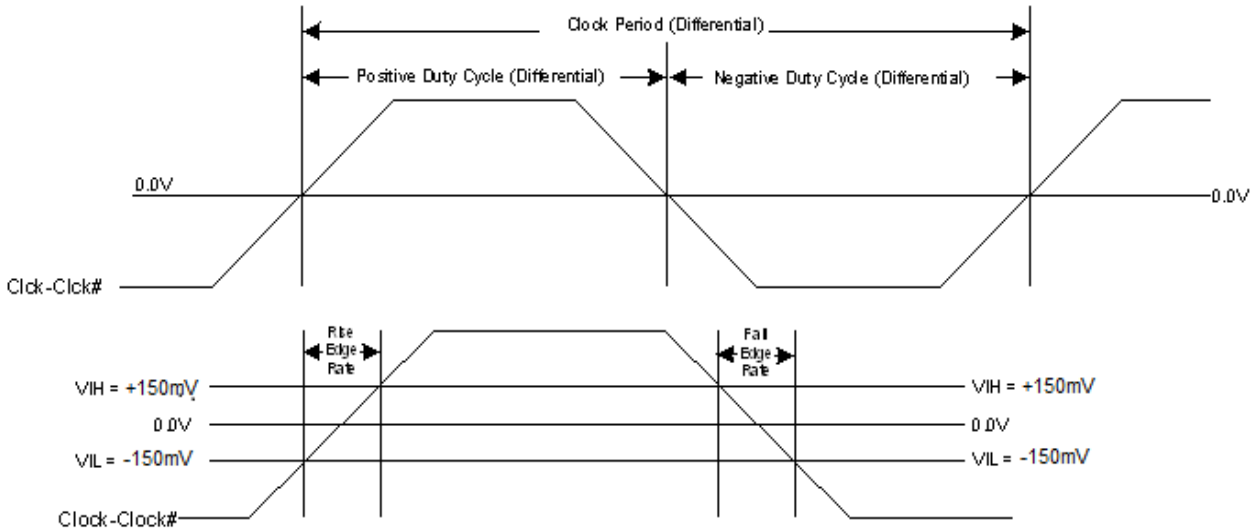


Figure 4. Differential Measurement for Differential Output Signals (for AC Parameters Measurement)

Si52112-A1/A2

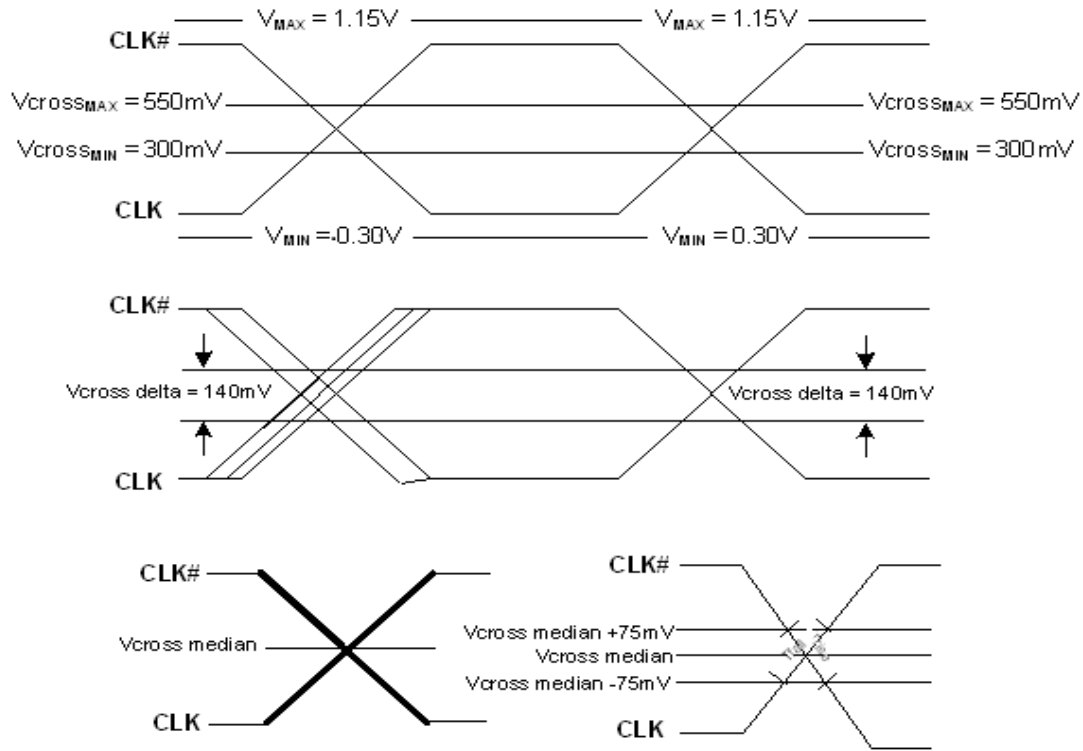


Figure 5. Single-ended Measurement for Differential Output Signals (for AC Parameters Measurement)

4. Pin Descriptions

4.1. 10-Pin TDFN

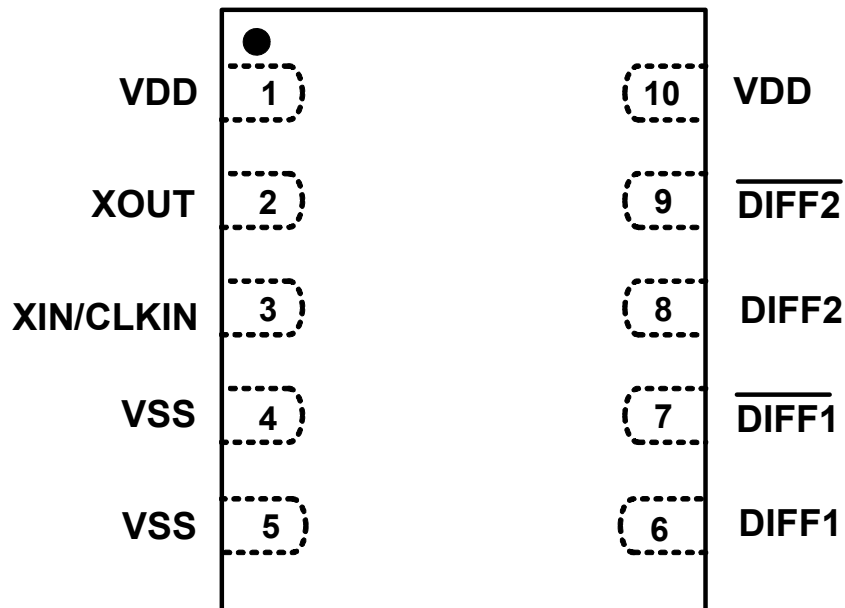


Figure 6. 10-Pin TDFN

Table 7. 10-Pin TDFN Descriptions

| Pin # | Name | Type | Description |
|-------|---------------------------|--------|---|
| 1 | VDD | PWR | 3.3 V power supply. |
| 2 | XOUT | O | 25.00 MHz crystal output, Float XOUT if using only CLKIN (clock input). |
| 3 | XIN/CLKIN | I | 25.00 MHz crystal input or 3.3 V, 25 MHz clock Input. |
| 4 | VSS | GND | Ground. |
| 5 | VSS | GND | Ground. |
| 6 | DIFF1 | O, DIF | 0.7 V, 100 MHz differential clock output. |
| 7 | $\overline{\text{DIFF1}}$ | O, DIF | 0.7 V, 100 MHz differential clock output. |
| 8 | DIFF2 | O, DIF | 0.7 V, 100 MHz differential clock output. |
| 9 | $\overline{\text{DIFF2}}$ | O, DIF | 0.7 V, 100 MHz differential clock output. |
| 10 | VDD | PWR | 3.3 V power supply. |

Si52112-A1/A2

4.2. 8-Pin TSSOP

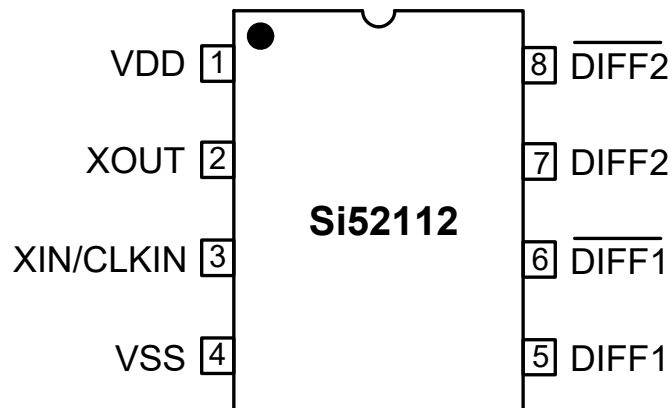


Figure 7. 8-Pin TSSOP

Table 8. 8-Pin TSSOP Descriptions

| Pin # | Name | Type | Description |
|-------|---------------------------|--------|---|
| 1 | VDD | PWR | 3.3 V Power supply. |
| 2 | XOUT | O | 25.00 MHz crystal output, Float XOUT if using only CLKIN (clock input). |
| 3 | XIN/CLKIN | I | 25.00 MHz crystal input or 3.3 V, 25 MHz clock Input. |
| 4 | VSS | GND | Ground. |
| 5 | DIFF1 | O, DIF | 0.7 V, 100 MHz differentials clock. |
| 6 | $\overline{\text{DIFF1}}$ | O, DIF | 0.7 V, 100 MHz differentials clock. |
| 7 | DIFF2 | O, DIF | 0.7 V, 100 MHz differentials clock. |
| 8 | $\overline{\text{DIFF2}}$ | O, DIF | 0.7 V, 100 MHz differentials clock. |

Si52112-A1/A2

5. Ordering Guide

| Part Number | Spread Option | Package Type | Temperature |
|-----------------|---------------|-----------------------------|------------------------|
| Si52112-A1-GM2 | No Spread | 10-pin TDFN | Extended, -40 to 85 °C |
| Si52112-A1-GM2R | No Spread | 10-pin TDFN—Tape and Reel | Extended, -40 to 85 °C |
| Si52112-A1-GT | No Spread | 8-pin TSSOP | Extended, -40 to 85 °C |
| Si52112-A1-GTR | No Spread | 8-pin TSSOP - Tape and Reel | Extended, -40 to 85 °C |
| Si52112-A2-GM2 | -0.5% Spread | 10-pin TDFN | Extended, -40 to 85 °C |
| Si52112-A2-GM2R | -0.5% Spread | 10-pin TDFN—Tape and Reel | Extended, -40 to 85 °C |
| Si52112-A2-GT | -0.5% Spread | 8-pin TSSOP | Extended, -40 to 85 °C |
| Si52112-A2-GTR | -0.5% Spread | 8-pin TSSOP - Tape and Reel | Extended, -40 to 85 °C |

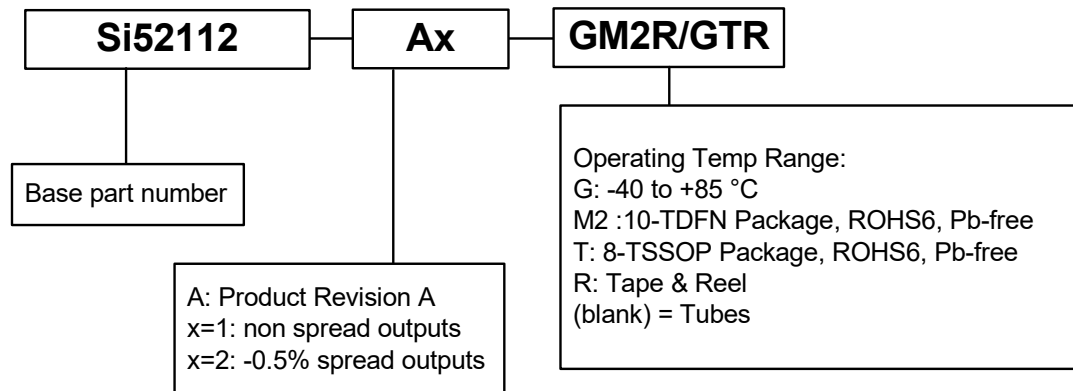


Figure 8. Ordering Information

Si52112-A1/A2

6. Package Outlines

6.1. TDFN Package

Figure 9 illustrates the package details for the 10-pin TDFN. Table 9 lists the values for the dimensions shown in the illustration.

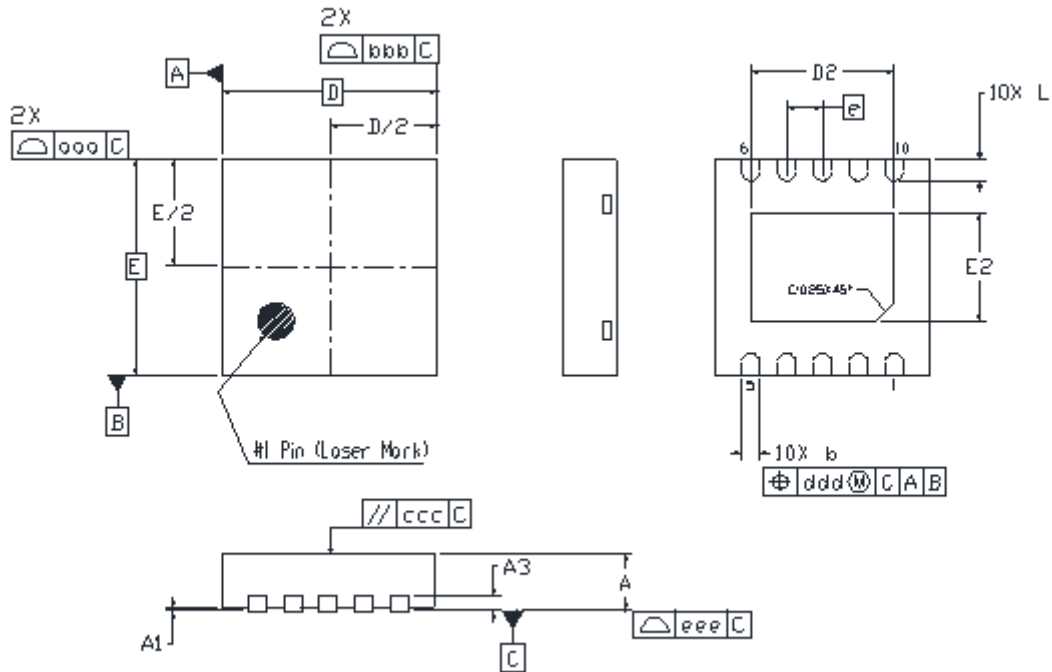


Figure 9. 10-Pin TDFN Package Drawing

Si52112-A1/A2**Table 9. TDFN Package Diagram Dimensions**

| Symbol | Min | Nom | Max |
|---|------------|------------|------------|
| A | 0.70 | 0.75 | 0.80 |
| A1 | 0.00 | 0.02 | 0.05 |
| A3 | 0.20 REF. | | |
| b | 0.18 | 0.25 | 0.30 |
| D | 3.00 BSC. | | |
| D2 | 1.90 | 2.00 | 2.10 |
| e | 0.50 BSC | | |
| E | 3.00 BSC | | |
| E2 | 1.40 | 1.50 | 1.60 |
| L | 0.25 | 0.30 | 0.35 |
| aaa | 0.10 | | |
| bbb | 0.10 | | |
| ccc | 0.10 | | |
| ddd | 0.10 | | |
| eee | 0.08 | | |
| Notes: | | | |
| <ol style="list-style-type: none"> 1. All dimensions shown are in millimeters (mm) unless otherwise noted. 2. Dimensioning and Tolerancing per ANSI Y14.5M-1994. 3. Recommended card reflow profile is per the JEDEC/IPC J-STD-020 specification for Small Body Components. 4. This drawing conforms to the JEDEC Solid State Outline MO-229. | | | |

Si52112-A1/A2

6.2. TSSOP Package

Figure 10 illustrates the package details for the 8-pin TSSOP. Table 10 lists the values for the dimensions shown in the illustration.

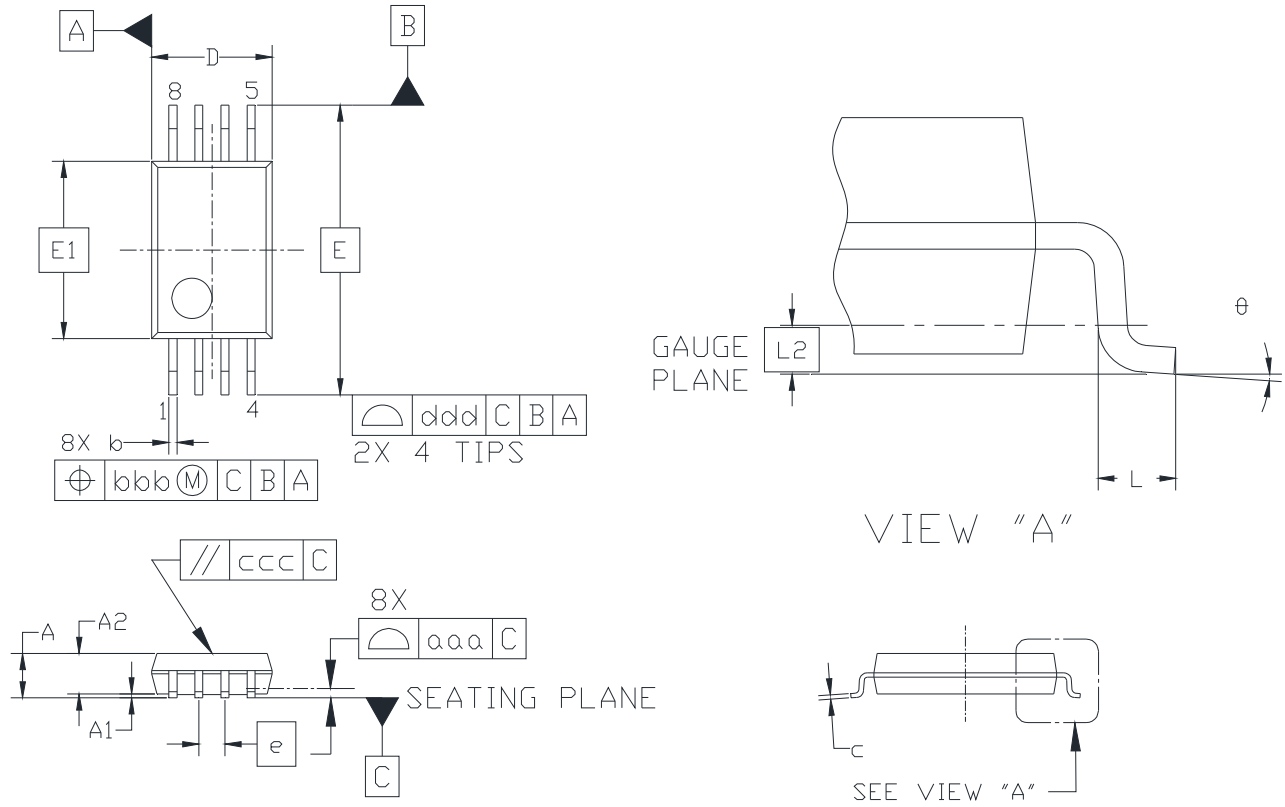


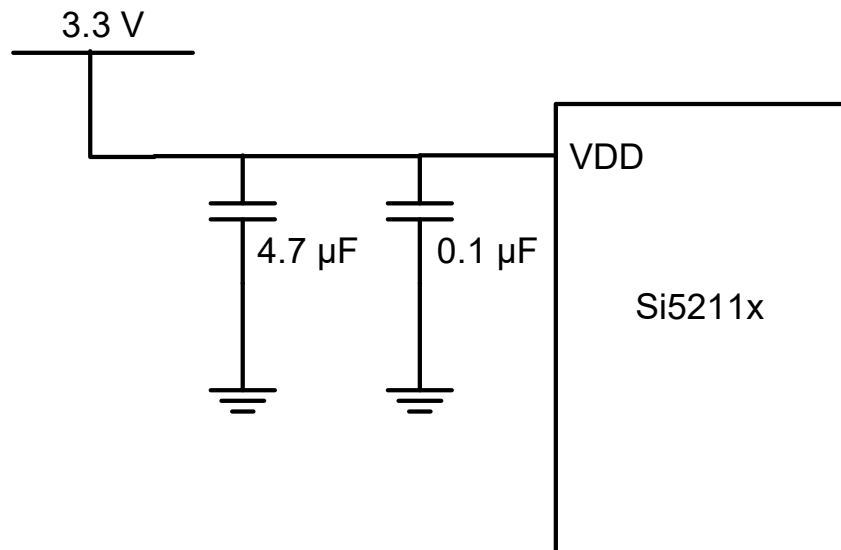
Figure 10. 8-Pin TSSOP Package Drawing

Table 10. TSSOP Package Diagram Dimensions

| Symbol | Min | Nom | Max |
|--|------------|------------|------------|
| A | — | — | 1.20 |
| A1 | 0.05 | — | 0.15 |
| A2 | 0.80 | 0.90 | 1.05 |
| b | 0.19 | — | 0.30 |
| c | 0.09 | — | 0.20 |
| D | 2.90 | 3.00 | 3.10 |
| E | 6.40 BSC | | |
| E1 | 4.30 | 4.40 | 4.50 |
| e | 0.65 BSC | | |
| L | 0.45 | 0.60 | 0.75 |
| L2 | 0.25 BSC | | |
| θ | 0° | — | 8° |
| aaa | 0.10 | | |
| bbb | 0.10 | | |
| ccc | 0.05 | | |
| ddd | 0.20 | | |
| Notes: | | | |
| <ol style="list-style-type: none"> 1. All dimensions shown are in millimeters (mm) unless otherwise noted. 2. Dimensioning and Tolerancing per ANSI Y14.5M-1994. 3. This drawing conforms to the JEDEC Solid State Outline MO-153, Variation AA. 4. Recommended card reflow profile is per the JEDEC/IPC J-STD-020C specification for Small Body Components. | | | |

Si52112-A1/A2

7. Recommended Design Guideline



Note: FB Specifications:
DC resistance 0.1–0.3 Ω
Impedance at 100 MHz \geq 1000 Ω

Figure 11. Recommended Application Schematic

DOCUMENT CHANGE LIST

Revision 1.0 to Revision 1.1

- Removed references to Gen 2.
- Updated package outlines.

Revision 1.1 to Revision 1.2

- Added “4.2. 8-Pin TSSOP” pin description on page 12.



SKYWORKS®

ClockBuilder Pro

Customize Skyworks clock generators, jitter attenuators and network synchronizers with a single tool. With CBPro you can control evaluation boards, access documentation, request a custom part number, export for in-system programming and more!

www.skyworksinc.com/CBPro



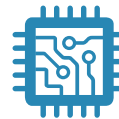
Portfolio

www.skyworksinc.com/ia/timing



SW/HW

www.skyworksinc.com/CBPro



Quality

www.skyworksinc.com/quality



Support & Resources

www.skyworksinc.com/support

Copyright © 2021 Skyworks Solutions, Inc. All Rights Reserved.

Information in this document is provided in connection with Skyworks Solutions, Inc. ("Skyworks") products or services. These materials, including the information contained herein, are provided by Skyworks as a service to its customers and may be used for informational purposes only by the customer. Skyworks assumes no responsibility for errors or omissions in these materials or the information contained herein. Skyworks may change its documentation, products, services, specifications or product descriptions at any time, without notice. Skyworks makes no commitment to update the materials or information and shall have no responsibility whatsoever for conflicts, incompatibilities, or other difficulties arising from any future changes.

No license, whether express, implied, by estoppel or otherwise, is granted to any intellectual property rights by this document. Skyworks assumes no liability for any materials, products or information provided hereunder, including the sale, distribution, reproduction or use of Skyworks products, information or materials, except as may be provided in Skyworks' Terms and Conditions of Sale.

THE MATERIALS, PRODUCTS AND INFORMATION ARE PROVIDED "AS IS" WITHOUT WARRANTY OF ANY KIND, WHETHER EXPRESS, IMPLIED, STATUTORY, OR OTHERWISE, INCLUDING FITNESS FOR A PARTICULAR PURPOSE OR USE, MERCHANTABILITY, PERFORMANCE, QUALITY OR NON-INFRINGEMENT OF ANY INTELLECTUAL PROPERTY RIGHT; ALL SUCH WARRANTIES ARE HEREBY EXPRESSLY DISCLAIMED. SKYWORKS DOES NOT WARRANT THE ACCURACY OR COMPLETENESS OF THE INFORMATION, TEXT, GRAPHICS OR OTHER ITEMS CONTAINED WITHIN THESE MATERIALS. SKYWORKS SHALL NOT BE LIABLE FOR ANY DAMAGES, INCLUDING BUT NOT LIMITED TO ANY SPECIAL, INDIRECT, INCIDENTAL, STATUTORY, OR CONSEQUENTIAL DAMAGES, INCLUDING WITHOUT LIMITATION, LOST REVENUES OR LOST PROFITS THAT MAY RESULT FROM THE USE OF THE MATERIALS OR INFORMATION, WHETHER OR NOT THE RECIPIENT OF MATERIALS HAS BEEN ADVISED OF THE POSSIBILITY OF SUCH DAMAGE.

Skyworks products are not intended for use in medical, lifesaving or life-sustaining applications, or other equipment in which the failure of the Skyworks products could lead to personal injury, death, physical or environmental damage. Skyworks customers using or selling Skyworks products for use in such applications do so at their own risk and agree to fully indemnify Skyworks for any damages resulting from such improper use or sale.

Customers are responsible for their products and applications using Skyworks products, which may deviate from published specifications as a result of design defects, errors, or operation of products outside of published parameters or design specifications. Customers should include design and operating safeguards to minimize these and other risks. Skyworks assumes no liability for applications assistance, customer product design, or damage to any equipment resulting from the use of Skyworks products outside of Skyworks' published specifications or parameters.

Skyworks, the Skyworks symbol, Sky5®, SkyOne®, SkyBlue™, Skyworks Green™, Clockbuilder®, DSPLL®, ISOModem®, ProSLIC®, and SiPHY® are trademarks or registered trademarks of Skyworks Solutions, Inc. or its subsidiaries in the United States and other countries. Third-party brands and names are for identification purposes only and are the property of their respective owners. Additional information, including relevant terms and conditions, posted at www.skyworksinc.com, are incorporated by reference.

OUR CERTIFICATE

DiGi provide top-quality products and perfect service for customer worldwide through standardization, technological innovation and continuous improvement. DiGi through third-party certification, we stricly control the quality of products and services. Welcome your RFQ to

Email: Info@DiGi-Electronics.com



Tel: +00 852-30501935

RFQ Email: Info@DiGi-Electronics.com

DiGi is a global authorized distributor of electronic components.