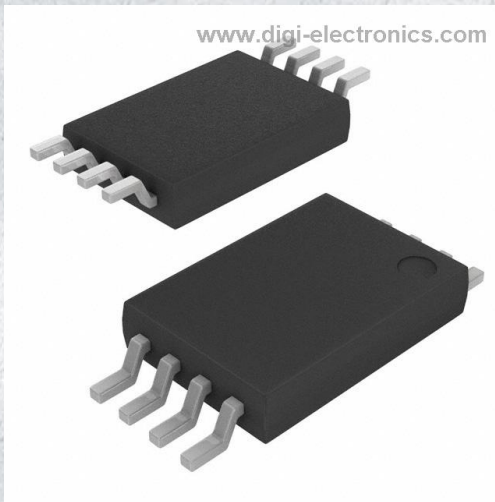


# SI52112-B4-GTR Datasheet



<https://www.DiGi-Electronics.com>

DiGi Electronics Part Number	SI52112-B4-GTR-DG
Manufacturer	<a href="#">Skyworks Solutions Inc.</a>
Manufacturer Product Number	SI52112-B4-GTR
Description	IC OSC PCI EXPRESS 2OUT 8TSSOP
Detailed Description	PCI Express (PCIe) IC 100MHz 1 Output 8-TSSOP



Tel: +00 852-30501935

RFQ Email: [Info@DiGi-Electronics.com](mailto:Info@DiGi-Electronics.com)

DiGi is a global authorized distributor of electronic components.

## Purchase and inquiry

Manufacturer Product Number:

SI52112-B4-GTR

Series:

-

DiGi-Electronics Programmable:

Not Verified

Main Purpose:

PCI Express (PCIe)

Output:

HCSL

Ratio - Input:Output:

1:2

Frequency - Max:

100MHz

Operating Temperature:

-40°C ~ 85°C

Package / Case:

8-TSSOP (0.173", 4.40mm Width)

Base Product Number:

SI52112

Manufacturer:

Skyworks Solutions Inc.

Product Status:

Active

PLL:

Yes

Input:

Clock, Crystal

Number of Circuits:

1

Differential - Input:Output:

No/Yes

Voltage - Supply:

2.97V ~ 3.63V

Mounting Type:

Surface Mount

Supplier Device Package:

8-TSSOP

## Environmental & Export classification

Moisture Sensitivity Level (MSL):

2 (1 Year)

HTSUS:

8541.60.0080

ECCN:

EAR99

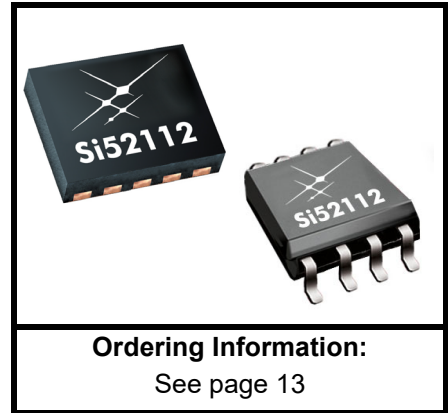


# Si52112-B3/B4

## PCI-EXPRESS GEN 2 DUAL OUTPUT CLOCK GENERATOR

### Features

- PCI-Express Gen 1 and Gen 2 compliant
- Low power HCSL differential output buffers
- Supports Serial-ATA (SATA) at 100 MHz
- No termination resistors required
- 25 MHz Crystal Input or Clock input
- Triangular spread spectrum profile for maximum EMI reduction (Si52112-B4)
- Extended Temperature: -40 to 85 °C
- 3.3 V Power supply
- Small package 10-pin TDFN (3x3 mm)
- Si52112-B3 does not support spread spectrum outputs
- Si52112-B4 supports 0.5% down spread outputs
- For PCIe Gen3 applications, see Si52112-B5/B6

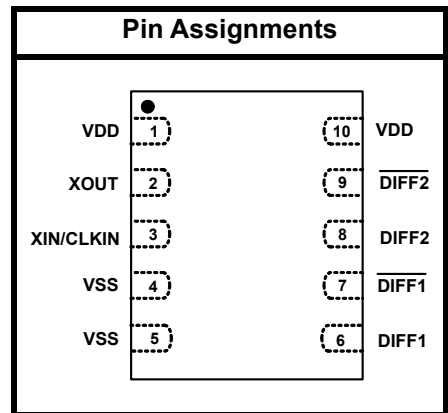


### Applications

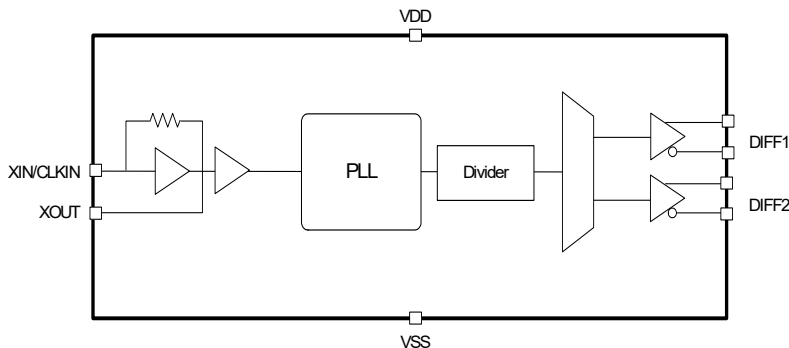
- Network Attached Storage
- Multi-function Printer
- Wireless Access Point
- Routers

### Description

Si52112-B3/B4 is a high-performance, PCIe clock generator that can source two PCIe clocks from a 25 MHz crystal or clock input. The clock outputs are compliant to PCIe Gen 1 and Gen 2 specifications. The ultra-small footprint (3x3 mm) and industry leading low power consumption make Si52112-B3/B4 the ideal clock solution for consumer and embedded applications.



Patents pending



# Si52112-B3/B4

---

**TABLE OF CONTENTS**

---

<b>Section</b>	<b>Page</b>
<b>1. Electrical Specifications</b> .....	<b>4</b>
<b>2. Crystal Recommendations</b> .....	<b>7</b>
2.1. Crystal Loading .....	7
2.2. Calculating Load Capacitors .....	8
<b>3. Test and Measurement Setup</b> .....	<b>9</b>
<b>4. Pin Descriptions</b> .....	<b>11</b>
4.1. 10-Pin TDFN .....	11
4.2. 8-Pin TSSOP .....	12
<b>5. Ordering Guide</b> .....	<b>13</b>
<b>6. Package Outlines</b> .....	<b>14</b>
6.1. TDFN Package .....	14
6.2. TSSOP Package .....	16
<b>7. Recommended Design Guideline</b> .....	<b>18</b>
<b>Document Change List</b> .....	<b>19</b>
<b>Contact Information</b> .....	<b>20</b>

# Si52112-B3/B4

---

## 1. Electrical Specifications

**Table 1. Recommended Operating Conditions**

Parameter	Symbol	Test Condition	Min	Typ	Max	Unit
Supply Voltage (extended)	$V_{DD(extended)}$	3.3 V $\pm$ 5%	3.13	3.3	3.46	V
Supply Voltage (commercial)	$V_{DD(commercial)}$	3.3 V $\pm$ 10%	2.97	3.3	3.63	V

**Table 2. DC Electrical Specifications**

Parameter	Symbol	Test Condition	Min	Typ	Max	Unit
Operating Voltage	$V_{DD}$	3.3 V $\pm$ 10%	2.97	3.30	3.63	V
Operating Supply Current	$I_{DD}$	Full Active	—	—	17	mA
Input Pin Capacitance	$C_{IN}$	Input Pin Capacitance	—	3	5	pF
Output Pin Capacitance	$C_{OUT}$	Output Pin Capacitance	—	—	5	pF

**Si52112-B3/B4****Table 3. AC Electrical Specifications**

Parameter	Symbol	Test Condition	Min	Typ	Max	Unit
<b>Crystal</b>						
Long-term Accuracy	$L_{ACC}$	Measured at $V_{DD}/2$ differential	—	—	250	ppm
<b>Clock Input</b>						
CLKIN Duty Cycle	$T_{DC}$	Measured at $V_{DD}/2$	45	—	55	%
CLKIN Rise and Fall Times	$T_R/T_F$	Measured between $0.2 V_{DD}$ and $0.8 V_{DD}$	0.5	—	4.0	V/ns
CLKIN Cycle-to-Cycle Jitter	$T_{CCJ}$	Measured at $V_{DD}/2$	—	—	250	ps
CLKIN Long Term Jitter	$T_{LTJ}$	Measured at $V_{DD}/2$	—	—	350	ps
Input High Voltage	$V_{IH}$	XIN/CLKIN pin	2	—	$V_{DD}+0.3$	V
Input Low Voltage	$V_{IL}$	XIN/CLKIN pin	—	—	0.8	V
Input High Current	$I_{IH}$	XIN/CLKIN pin, $V_{IN} = V_{DD}$	—	—	35	$\mu A$
Input Low Current	$I_{IL}$	XIN/CLKIN pin, $0 < V_{IN} < 0.8$	-35	—	—	$\mu A$
<b>DIFF Clocks</b>						
Duty Cycle	$T_{DC}$	Measured at 0 V differential	45	—	55	%
Skew	$T_{SKEW}$	Measured at 0 V differential	—	—	60	ps
Output Frequency	$F_{OUT}$	$V_{DD} = 3.3 V$	—	100	—	MHz
Frequency Accuracy	$F_{ACC}$	All output clocks	—	—	100	ppm
Slew Rate	$t_{r/f2}$	Measured differentially from $\pm 150 mV$	0.6	—	4.0	V/ns
Cycle-to-Cycle Jitter	$T_{CCJ}$	Measured at 0 V differential	—	28	70	ps
PCIe Gen 1 Pk-Pk Jitter	$Pk-Pk_{GEN1}$	PCIe Gen 1	—	24	86	ps
PCIe Gen 2 Phase Jitter	$RMS_{GEN2}$	$10 kHz < F < 1.5 MHz$	—	1.35	3.0	ps
		$1.5 MHz < F < Nyquist$	—	1.4	3.1	ps
Crossing Point Voltage at 0.7 V Swing	$V_{OX}$		300	—	550	mV
Voltage High	$V_{HIGH}$		—	—	1.15	V
Voltage Low	$V_{LOW}$		-0.3	—	—	V
Spread Range	$S_{RNG}$	Down Spread, -B4 only	—	-0.5	—	%
Modulation Frequency	$F_{MOD}$	-B4 only	30	31.5	33	kHz
<b>Enable/Disable and Set-up</b>						
Clock Stabilization from Power-up	$T_{STABLE}$		—	—	3	ms
Stopclock Set-up Time	$T_{SS}$		10.0	—	—	ns
<b>Note:</b> Visit <a href="http://www.pcisig.com">www.pcisig.com</a> for complete PCIe specifications.						

# Si52112-B3/B4

**Table 4. Thermal Conditions**

Parameter	Symbol	Test Condition	Min	Typ	Max	Unit
Temperature, Storage	$T_S$	Non-functional	-65	—	150	°C
Temperature, Operating Ambient	$T_A$	Functional	-40	—	85	°C
Temperature, Junction	$T_J$	Functional	—	—	150	°C
Dissipation, Junction to Case (TDFN)	$\theta_{JC}$	JEDEC (JESD 51)	—	—	38.3	°C/W
Dissipation, Junction to Case (TSSOP)	$\theta_{JC}$	JEDEC (JESD 51)	—	—	37.0	°C/W
Dissipation, Junction to Ambient (TDFN)	$\theta_{JA}$	JEDEC (JESD 51)	—	—	90.4	°C/W
Dissipation, Junction to Ambient (TSSOP)	$\theta_{JA}$	JEDEC (JESD 51)	—	—	124.0	°C/W

**Table 5. Absolute Maximum Conditions**

Parameter	Symbol	Test Condition	Min	Typ	Max	Unit
Main Supply Voltage	$V_{DD\_3.3V}$		—	—	4.6	V
Input Voltage	$V_{IN}$	Relative to $V_{SS}$	-0.5	—	4.6	$V_{DC}$
ESD Protection (Human Body Model)	$ESD_{HBM}$	JEDEC (JESD 22 - A114)	2000	—	—	V
Flammability Rating	UL-94	UL (Class)	V-0			
<b>Note:</b> While using multiple power supplies, the voltage on any input or I/O pin cannot exceed the power pin during power-up. Power supply sequencing is not required.						



## 2. Crystal Recommendations

If using a crystal input, the device requires a parallel resonance crystal.

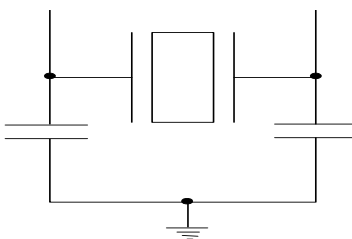
**Table 6. Crystal Recommendations**

Frequency (Fund)	Cut	Loading	Load Cap	ESR	Drive	Shunt Cap (max)	Motional (max)	Tolerance (max)	Stability (max)	Aging (max)
25 MHz	AT	Parallel	12–15 pF	<50 $\Omega$	>150 $\mu$ W	5 pF	0.016 pF	35 ppm	30 ppm	5 ppm

### 2.1. Crystal Loading

Crystal loading is critical in achieving low ppm performance. To realize low ppm performance, use the total capacitance the crystal sees to calculate the appropriate capacitive loading ( $C_L$ ).

Figure 1 shows a typical crystal configuration using two trim capacitors. It is important that the trim capacitors are in series with the crystal.

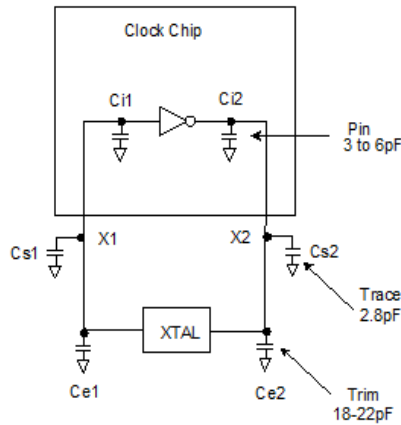


**Figure 1. Crystal Capacitive Clarification**

## Si52112-B3/B4

### 2.2. Calculating Load Capacitors

In addition to the standard external trim capacitors, consider the trace capacitance and pin capacitance to calculate the crystal loading correctly. Again, the capacitance on each side is in series with the crystal. The total capacitance on both sides is twice the specified crystal load capacitance ( $C_L$ ). Trim capacitors are calculated to provide equal capacitive loading on both sides.



**Figure 2. Crystal Loading Example**

Use the following formulas to calculate the trim capacitor values for  $C_{e1}$  and  $C_{e2}$ .

#### Load Capacitance (each side)

$$C_e = 2 \times C_L - (C_s + C_i)$$

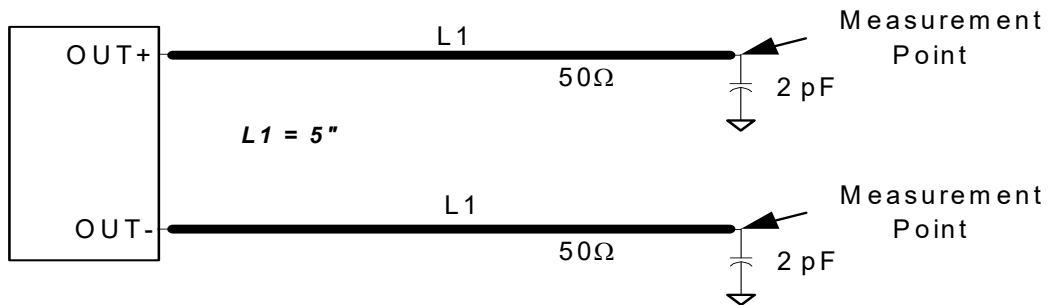
#### Total Capacitance (as seen by the crystal)

$$C_{Le} = \frac{1}{\left( \frac{1}{C_{e1} + C_{s1} + C_{i1}} + \frac{1}{C_{e2} + C_{s2} + C_{i2}} \right)}$$

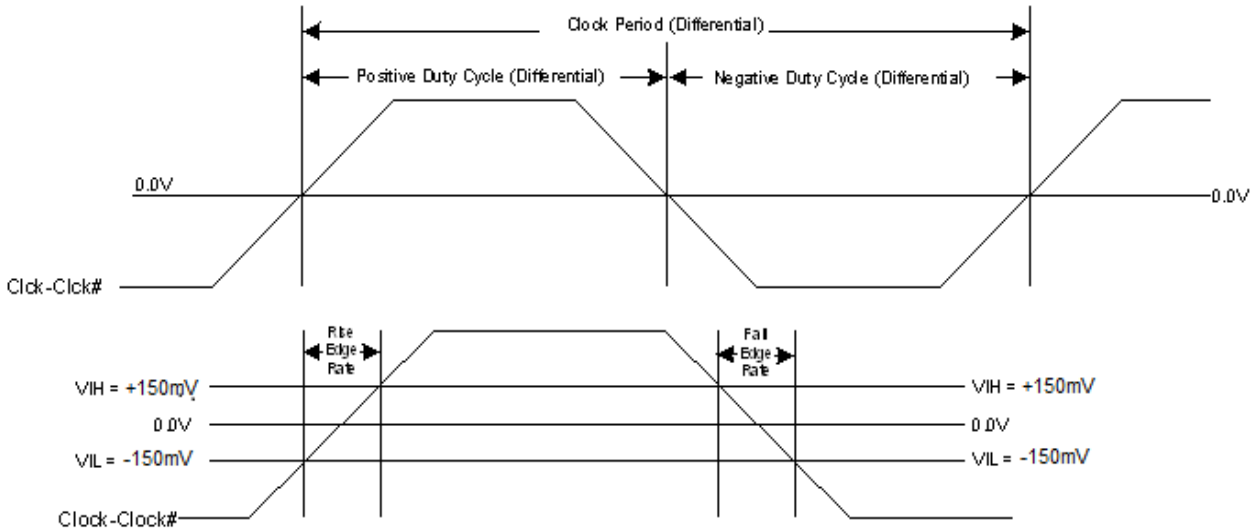
- $C_L$ : Crystal load capacitance
- $C_{Le}$ : Actual loading seen by crystal using standard value trim capacitors
- $C_e$ : External trim capacitors
- $C_s$ : Stray capacitance (terraced)
- $C_i$ : Internal capacitance (lead frame, bond wires, etc.)

### 3. Test and Measurement Setup

Figures 3 through 5 show the test load configuration for the differential clock signals.

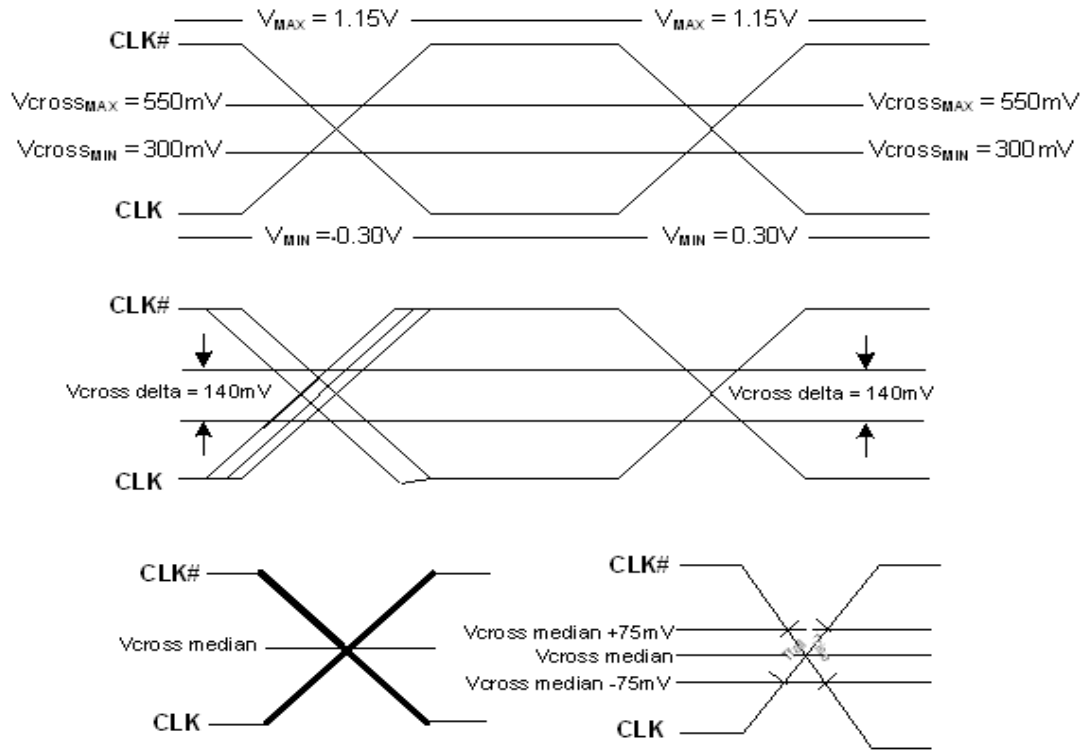


**Figure 3. 0.7 V Differential Load Configuration**



**Figure 4. Differential Measurement for Differential Output Signals (for AC Parameters Measurement)**

# Si52112-B3/B4



**Figure 5. Single-ended Measurement for Differential Output Signals (for AC Parameters Measurement)**

## 4. Pin Descriptions

### 4.1. 10-Pin TDFN

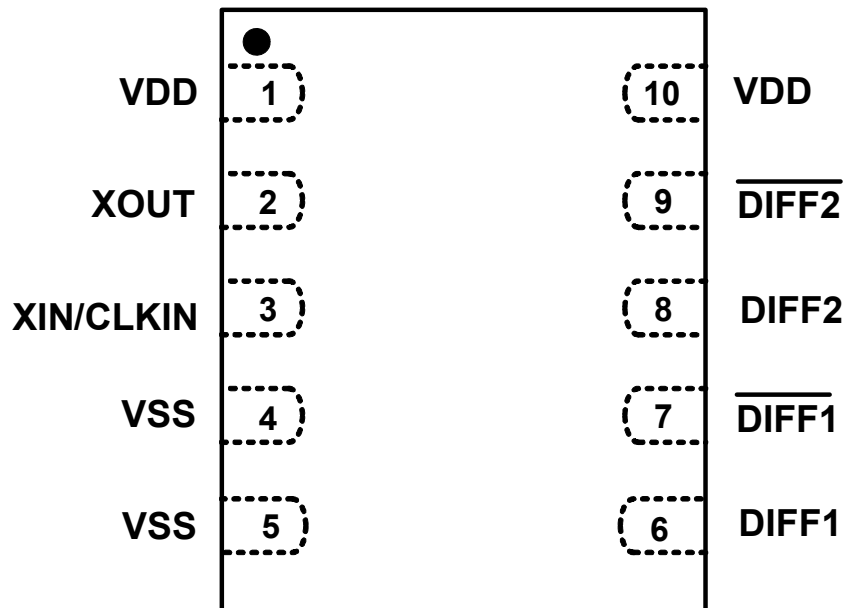


Figure 6. 10-Pin TDFN

Table 7. 10-Pin TDFN Descriptions

Pin #	Name	Type	Description
1	VDD	PWR	3.3 V power supply.
2	XOUT	O	25.00 MHz crystal output, Float XOUT if using only CLKIN (clock input).
3	XIN/CLKIN	I	25.00 MHz crystal input or 3.3 V, 25 MHz clock Input.
4	VSS	GND	Ground.
5	VSS	GND	Ground.
6	DIFF1	O, DIF	0.7 V, 100 MHz differential clock output.
7	$\overline{\text{DIFF1}}$	O, DIF	0.7 V, 100 MHz differential clock output.
8	DIFF2	O, DIF	0.7 V, 100 MHz differential clock output.
9	$\overline{\text{DIFF2}}$	O, DIF	0.7 V, 100 MHz differential clock output.
10	VDD	PWR	3.3 V power supply.

# Si52112-B3/B4

## 4.2. 8-Pin TSSOP

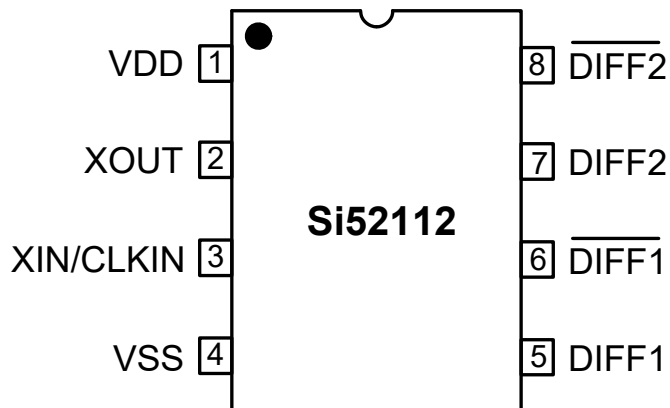


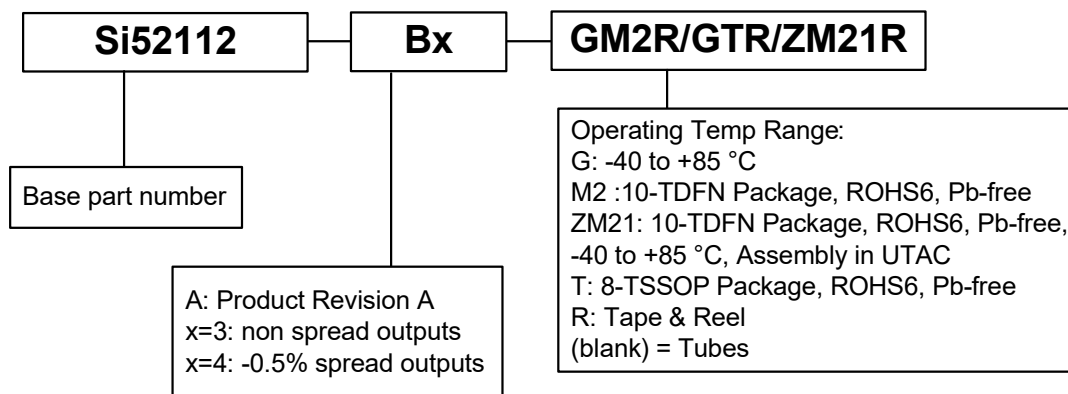
Figure 7. 8-Pin TSSOP

Table 8. 8-Pin TSSOP Descriptions

Pin #	Name	Type	Description
1	VDD	PWR	3.3 V Power supply.
2	XOUT	O	25.00 MHz crystal output, Float XOUT if using only CLKIN (clock input).
3	XIN/CLKIN	I	25.00 MHz crystal input or 3.3 V, 25 MHz clock Input.
4	VSS	GND	Ground.
5	DIFF1	O, DIF	0.7 V, 100 MHz differentials clock.
6	$\overline{\text{DIFF1}}$	O, DIF	0.7 V, 100 MHz differentials clock.
7	DIFF2	O, DIF	0.7 V, 100 MHz differentials clock.
8	$\overline{\text{DIFF2}}$	O, DIF	0.7 V, 100 MHz differentials clock.

**Si52112-B3/B4****5. Ordering Guide**

Part Number	Spread Option	Package Type	Temperature
Si52112-B3-GM2	No Spread	10-pin TDFN	Extended, -40 to 85 °C
Si52112-B3-GM2R	No Spread	10-pin TDFN—Tape and Reel	Extended, -40 to 85 °C
Si52112-B3ZM21	No Spread	10-pin TDFN (UTAC only)	Extended, -40 to 85 °C
Si52112-B3ZM21R	No Spread	10-pin TDFN (UTAC only) — Tape and Reel	Extended, -40 to 85 °C
Si52112-B3-GT	No Spread	8-pin TSSOP	Extended, -40 to 85 °C
Si52112-B3-GTR	No Spread	8-pin TSSOP - Tape and Reel	Extended, -40 to 85 °C
Si52112-B4-GM2	-0.5% Spread	10-pin TDFN	Extended, -40 to 85 °C
Si52112-B4-GM2R	-0.5% Spread	10-pin TDFN—Tape and Reel	Extended, -40 to 85 °C
Si52112-B4ZM21	-0.5% Spread	10-pin TDFN (UTAC only)	Extended, -40 to 85 °C
Si52112-B4ZM21R	-0.5% Spread	10-pin TDFN (UTAC only) — Tape and Reel	Extended, -40 to 85 °C
Si52112-B4-GT	-0.5% Spread	8-pin TSSOP	Extended, -40 to 85 °C
Si52112-B4-GTR	-0.5% Spread	8-pin TSSOP - Tape and Reel	Extended, -40 to 85 °C

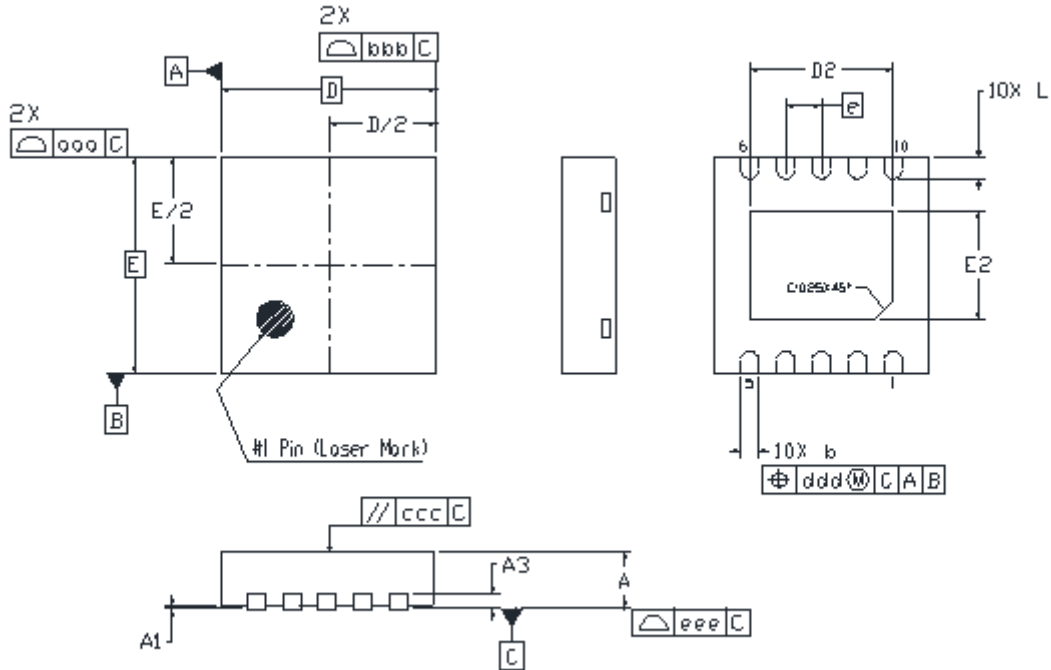
**Figure 8. Ordering Information**

# Si52112-B3/B4

## 6. Package Outlines

### 6.1. TDFN Package

Figure 9 illustrates the package details for the 10-pin TDFN. Table 9 lists the values for the dimensions shown in the illustration.



**Figure 9. 10-Pin TDFN Package Drawing**



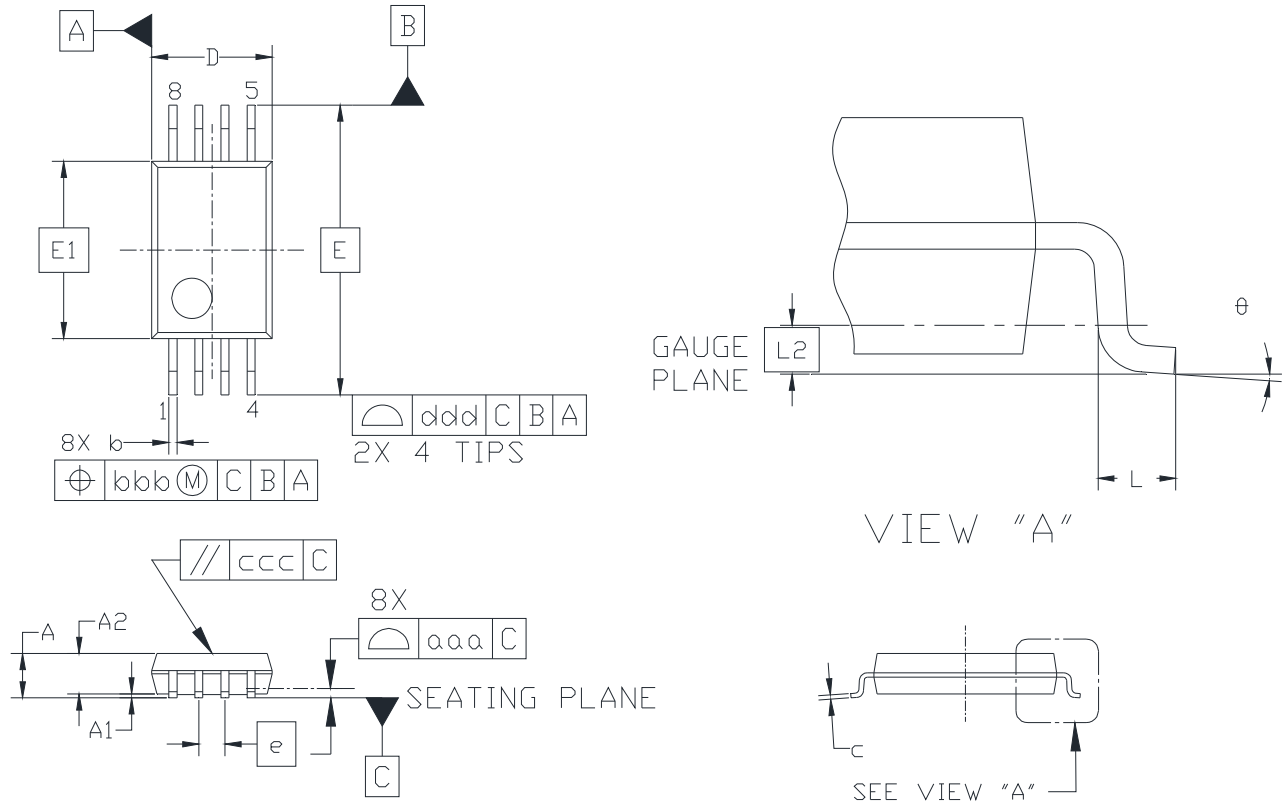
**Si52112-B3/B4****Table 9. TDFN Package Diagram Dimensions**

<b>Symbol</b>	<b>Min</b>	<b>Nom</b>	<b>Max</b>
A	0.70	0.75	0.80
A1	0.00	0.02	0.05
A3	0.20 REF.		
b	0.18	0.25	0.30
D	3.00 BSC.		
D2	1.90	2.00	2.10
e	0.50 BSC		
E	3.00 BSC		
E2	1.40	1.50	1.60
L	0.25	0.30	0.35
aaa	0.10		
bbb	0.10		
ccc	0.10		
ddd	0.10		
eee	0.08		
<b>Notes:</b>			
<ol style="list-style-type: none"> <li>1. All dimensions shown are in millimeters (mm) unless otherwise noted.</li> <li>2. Dimensioning and Tolerancing per ANSI Y14.5M-1994.</li> <li>3. Recommended card reflow profile is per the JEDEC/IPC J-STD-020 specification for Small Body Components.</li> <li>4. This drawing conforms to the JEDEC Solid State Outline MO-229.</li> </ol>			

# Si52112-B3/B4

## 6.2. TSSOP Package

Figure 10 illustrates the package details for the 8-pin TSSOP. Table 10 lists the values for the dimensions shown in the illustration.



**Figure 10. 8-Pin TSSOP Package Drawing**

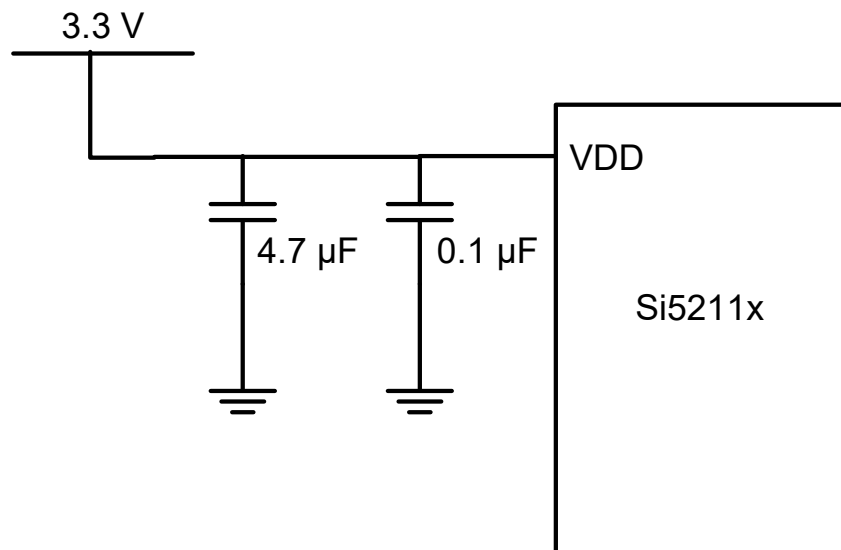
**Table 10. TSSOP Package Diagram Dimensions**

Symbol	Min	Nom	Max
A	—	—	1.20
A1	0.05	—	0.15
A2	0.80	0.90	1.05
b	0.19	—	0.30
c	0.09	—	0.20
D	2.90	3.00	3.10
E	6.40 BSC		
E1	4.30	4.40	4.50
e	0.65 BSC		
L	0.45	0.60	0.75
L2	0.25 BSC		
$\theta$	0°	—	8°
aaa	0.10		
bbb	0.10		
ccc	0.05		
ddd	0.20		
<b>Notes:</b>			
<ol style="list-style-type: none"> <li>1. All dimensions shown are in millimeters (mm) unless otherwise noted.</li> <li>2. Dimensioning and Tolerancing per ANSI Y14.5M-1994.</li> <li>3. This drawing conforms to the JEDEC Solid State Outline MO-153, Variation AA.</li> <li>4. Recommended card reflow profile is per the JEDEC/IPC J-STD-020C specification for Small Body Components.</li> </ol>			

# Si52112-B3/B4

---

## 7. Recommended Design Guideline



**Note:** FB Specifications:  
DC resistance 0.1–0.3  $\Omega$   
Impedance at 100 MHz  $\geq$  1000  $\Omega$

**Figure 11. Recommended Application Schematic**

## DOCUMENT CHANGE LIST

### Revision 1.0 to Revision 1.1

- Added “4.2. 8-Pin TSSOP” pin description on page 12.



# SKYWORKS®

## ClockBuilder Pro

Customize Skyworks clock generators, jitter attenuators and network synchronizers with a single tool. With CBPro you can control evaluation boards, access documentation, request a custom part number, export for in-system programming and more!

[www.skyworksinc.com/CBPro](http://www.skyworksinc.com/CBPro)



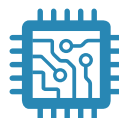
### Portfolio

[www.skyworksinc.com/ia/timing](http://www.skyworksinc.com/ia/timing)



### SW/HW

[www.skyworksinc.com/CBPro](http://www.skyworksinc.com/CBPro)



### Quality

[www.skyworksinc.com/quality](http://www.skyworksinc.com/quality)



### Support & Resources

[www.skyworksinc.com/support](http://www.skyworksinc.com/support)

### Copyright © 2021 Skyworks Solutions, Inc. All Rights Reserved.

Information in this document is provided in connection with Skyworks Solutions, Inc. ("Skyworks") products or services. These materials, including the information contained herein, are provided by Skyworks as a service to its customers and may be used for informational purposes only by the customer. Skyworks assumes no responsibility for errors or omissions in these materials or the information contained herein. Skyworks may change its documentation, products, services, specifications or product descriptions at any time, without notice. Skyworks makes no commitment to update the materials or information and shall have no responsibility whatsoever for conflicts, incompatibilities, or other difficulties arising from any future changes.

No license, whether express, implied, by estoppel or otherwise, is granted to any intellectual property rights by this document. Skyworks assumes no liability for any materials, products or information provided hereunder, including the sale, distribution, reproduction or use of Skyworks products, information or materials, except as may be provided in Skyworks' Terms and Conditions of Sale.

THE MATERIALS, PRODUCTS AND INFORMATION ARE PROVIDED "AS IS" WITHOUT WARRANTY OF ANY KIND, WHETHER EXPRESS, IMPLIED, STATUTORY, OR OTHERWISE, INCLUDING FITNESS FOR A PARTICULAR PURPOSE OR USE, MERCHANTABILITY, PERFORMANCE, QUALITY OR NON-INFRINGEMENT OF ANY INTELLECTUAL PROPERTY RIGHT; ALL SUCH WARRANTIES ARE HEREBY EXPRESSLY DISCLAIMED. SKYWORKS DOES NOT WARRANT THE ACCURACY OR COMPLETENESS OF THE INFORMATION, TEXT, GRAPHICS OR OTHER ITEMS CONTAINED WITHIN THESE MATERIALS. SKYWORKS SHALL NOT BE LIABLE FOR ANY DAMAGES, INCLUDING BUT NOT LIMITED TO ANY SPECIAL, INDIRECT, INCIDENTAL, STATUTORY, OR CONSEQUENTIAL DAMAGES, INCLUDING WITHOUT LIMITATION, LOST REVENUES OR LOST PROFITS THAT MAY RESULT FROM THE USE OF THE MATERIALS OR INFORMATION, WHETHER OR NOT THE RECIPIENT OF MATERIALS HAS BEEN ADVISED OF THE POSSIBILITY OF SUCH DAMAGE.

Skyworks products are not intended for use in medical, lifesaving or life-sustaining applications, or other equipment in which the failure of the Skyworks products could lead to personal injury, death, physical or environmental damage. Skyworks customers using or selling Skyworks products for use in such applications do so at their own risk and agree to fully indemnify Skyworks for any damages resulting from such improper use or sale.

Customers are responsible for their products and applications using Skyworks products, which may deviate from published specifications as a result of design defects, errors, or operation of products outside of published parameters or design specifications. Customers should include design and operating safeguards to minimize these and other risks. Skyworks assumes no liability for applications assistance, customer product design, or damage to any equipment resulting from the use of Skyworks products outside of Skyworks' published specifications or parameters.

Skyworks, the Skyworks symbol, Sky5®, SkyOne®, SkyBlue™, Skyworks Green™, Clockbuilder®, DSPLL®, ISOModem®, ProSLIC®, and SiPHY® are trademarks or registered trademarks of Skyworks Solutions, Inc. or its subsidiaries in the United States and other countries. Third-party brands and names are for identification purposes only and are the property of their respective owners. Additional information, including relevant terms and conditions, posted at [www.skyworksinc.com](http://www.skyworksinc.com), are incorporated by reference.

## OUR CERTIFICATE

DiGi provide top-quality products and perfect service for customer worldwide through standardization, technological innovation and continuous improvement. DiGi through third-party certification, we stricly control the quality of products and services. Welcome your RFQ to

Email: [Info@DiGi-Electronics.com](mailto:Info@DiGi-Electronics.com)



Tel: +00 852-30501935

RFQ Email: [Info@DiGi-Electronics.com](mailto:Info@DiGi-Electronics.com)

DiGi is a global authorized distributor of electronic components.