

CB15JB160R Datasheet



<https://www.DiGi-Electronics.com>

| | |
|------------------------------|------------------------------------------------------------------------------------------------|
| DiGi Electronics Part Number | CB15JB160R-DG |
| Manufacturer | Stackpole Electronics Inc |
| Manufacturer Product Number | CB15JB160R |
| Description | RES 160 OHM 5% 15W AXIAL |
| Detailed Description | 160 Ohms ±5% 15W Through Hole Resistor Axial Flame Proof, Moisture Resistant, Safety Wirewound |

This model CB15JB160R is available at DiGi Electronics.

DiGi Electronics offers a global database of semiconductor and electronic component datasheets.

We welcome your inquiries regarding pricing, lead time, or other product-related questions.

 [Request a Quote](#)

 [Datasheet Search](#)



Tel: +00 852-30501935

RFQ Email: Info@DiGi-Electronics.com

DiGi is a global authorized distributor of electronic components.

Purchase and inquiry

Manufacturer Product Number:

CB15JB160R

Series:

CB

Resistance:

160 Ohms

Power (Watts):

15W

Features:

Flame Proof, Moisture Resistant, Safety

Operating Temperature:

-55°C ~ 275°C

Supplier Device Package:

Axial

Height - Seated (Max):

-

Failure Rate:

-

Manufacturer:

Stackpole Electronics Inc

Product Status:

Active

Tolerance:

±5%

Composition:

Wirewound

Temperature Coefficient:

±200ppm/°C

Package / Case:

Axial

Size / Dimension:

0.512" Square x 1.890" L (13.00mm x 48.00mm)

Number of Terminations:

2

Environmental & Export classification

RoHS Status:

ROHS3 Compliant

REACH Status:

REACH Unaffected

HTSUS:

8533.21.0080

Moisture Sensitivity Level (MSL):

Not Applicable

ECCN:

EAR99

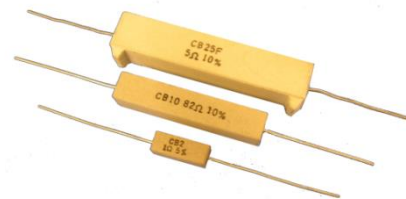
CB / MCB Series

Ceramic Housed with Axial Leads Power Resistor

Stackpole Electronics, Inc.
Resistive Product Solutions

Features:

- Fireproof power resistor
- High thermal conductivity
- "M" in MCB stands for metal oxide element
- Standoffs may be available (CBF, MCBF) - contact Stackpole for details
- RoHS compliant, REACH compliant, lead free, and halogen free



| Electrical Specifications - CB | | | | | |
|--------------------------------|-------------------------|-----------------------------|------------------------------|-----------------------------|-------------------------------|
| Type/Code | Power Rating (W) @ 70°C | Maximum Working Voltage (V) | Maximum Overload Voltage (V) | TCR (ppm/°C) ⁽¹⁾ | Ohmic Range (Ω) and Tolerance |
| | | | | | 5%, 10% |
| CB2 | 2 | 250 | 500 | ± 800 | 0.056 - 0.1 |
| | | | | ± 500 | 0.12 - 0.2 |
| | | | | ± 200 | 0.22 - 100 |
| CB3 | 3 | 300 | 600 | ± 800 | 0.1 |
| | | | | ± 500 | 0.12 - 3 |
| | | | | ± 200 | 3.3 - 100 |
| CB5 | 5 | 350 | 700 | ± 800 | 0.1 - 0.15 |
| | | | | ± 500 | 0.18 - 0.68 |
| | | | | ± 200 | 0.75 - 470 |
| CB7 | 7 | 500 | 1000 | ± 800 | 0.39 - 0.51 |
| | | | | ± 500 | 0.56 - 0.82 |
| | | | | ± 200 | 0.91 - 470 |
| CB10 | 10 | 700 | 1400 | ± 800 | 0.51 - 1 |
| | | | | ± 500 | 1.1 - 2.7 |
| | | | | ± 200 | 3 - 680 |
| CB15 | 15 | 700 | 1400 | ± 800 | 0.56 - 1 |
| | | | | ± 500 | 1.3 - 3 |
| | | | | ± 200 | 3.6 - 820 |

| Electrical Specifications - MCB | | | | | |
|---------------------------------|--------------------------|-----------------------------|------------------------------|-----------------------------|-------------------------------|
| Type/Code | Power Rating (W) @ 70 °C | Maximum Working Voltage (V) | Maximum Overload Voltage (V) | TCR (ppm/°C) ⁽¹⁾ | Ohmic Range (Ω) and Tolerance |
| | | | | | 5%, 10% |
| MCB3 | 3 | 300 | 600 | ± 200 | 110 - 51K |
| MCB5 | 5 | 350 | 700 | | 110 - 51K |
| MCB7 | 7 | 500 | 1000 | | 510 - 51K |
| MCB10 | 10 | 700 | 1400 | | 750 - 51K |
| MCB15 | 15 | 700 | 1400 | | 910 - 51K |

(1) Lower TCR may be available for certain values. Contact Stackpole.

Max Voltage Rating = $\sqrt{P \cdot R}$

| Mechanical Specifications | | | | | | | |
|---------------------------|------------------|---------------|---------------|--------------------|-----------------------|------------------|--------|
| | | | | | | | |
| Type/Code | A Body Length | B Height | C Width | D Lead Diameter | E (CBF, MCBF only) | F Lead Length | Unit |
| CB2 | 0.709 ± 0.047 | 0.252 ± 0.047 | 0.252 ± 0.047 | 0.031 ± 0.004 | 0.299 ± 0.039 | 1.000 min. | inches |
| | 18.00 ± 1.20 | 6.40 ± 1.20 | 6.40 ± 1.20 | 0.80 ± 0.10 | 7.60 ± 1.00 | 25.40 min. | mm |
| CB3, MCB3 | 0.866 ± 0.047 | 0.315 ± 0.047 | 0.315 ± 0.047 | 0.031 ± 0.004 | 0.374 ± 0.039 | 1.000 min. | inches |
| | 22.00 ± 1.20 | 8.00 ± 1.20 | 8.00 ± 1.20 | 0.80 ± 0.10 | 9.50 ± 1.00 | 25.40 min. | mm |

CB / MCB Series

Ceramic Housed with Axial Leads Power Resistor

Stackpole Electronics, Inc.
Resistive Product Solutions

Mechanical Specifications (cont.)

| Type/Code | A Body Length | B Height | C Width | D Lead Diameter | E (CBF, MCBF only) | F Lead Length | Unit |
|-------------|------------------|---------------|---------------|--------------------|-----------------------|------------------|--------|
| CB5, MCB5 | 0.866 ± 0.047 | 0.374 ± 0.039 | 0.374 ± 0.039 | 0.031 ± 0.004 | 0.437 ± 0.039 | 1.000 min. | inches |
| | 22.00 ± 1.20 | 9.50 ± 1.00 | 9.50 ± 1.00 | 0.80 ± 0.10 | 11.10 ± 1.00 | 25.40 min. | mm |
| CB7, MCB7 | 1.378 ± 0.059 | 0.374 ± 0.039 | 0.374 ± 0.039 | 0.031 ± 0.004 | 0.500 ± 0.039 | 1.000 min. | inches |
| | 35.00 ± 1.50 | 9.50 ± 1.00 | 9.50 ± 1.00 | 0.80 ± 0.10 | 12.70 ± 1.00 | 25.40 min. | mm |
| CB10, MCB10 | 1.890 ± 0.059 | 0.374 ± 0.039 | 0.374 ± 0.039 | 0.031 ± 0.004 | 0.500 ± 0.039 | 1.000 min. | inches |
| | 48.00 ± 1.50 | 9.50 ± 1.00 | 9.50 ± 1.00 | 0.80 ± 0.10 | 12.70 ± 1.00 | 25.40 min. | mm |
| CB15, MCB15 | 1.890 ± 0.059 | 0.512 ± 0.047 | 0.512 ± 0.047 | 0.031 ± 0.004 | 0.626 ± 0.039 | 1.000 min. | inches |
| | 48.00 ± 1.50 | 13.00 ± 1.20 | 13.00 ± 1.20 | 0.80 ± 0.10 | 15.90 ± 1.00 | 25.40 min. | mm |

Performance Characteristics

| Test | Test Specification |
|--------------------------------------------------------|--------------------|
| Moisture Resistance | ± 5% |
| Thermal Shock | ± 2% |
| Load Life @ 70°C - 1000 hours | ± 5% |
| Resistance to Soldering Heat | ± 2% |
| Short Time Overload - 5 x P _n for 5 seconds | ± 2% |
| Dielectric Withstanding Voltage | ± 2% |

Operating temperature range for CB is -55°C to +275°C

Operating temperature range for MCB is -55°C to +155°C

Power Derating Curve:



Recommended Solder Profile

This information is intended as a reference for solder profiles for Stackpole resistive components. These profiles should be compatible with most soldering processes. These are only recommendations. Actual numbers will depend on board density, geometry, packages used, etc., especially those cells labeled with “*”.

100% Matte Tin / RoHS Compliant Terminations

Soldering iron recommended temperatures: 330°C to 350°C with minimum duration.

Maximum number of reflow cycles: 3.

CB / MCB Series

Ceramic Housed with Axial Leads Power Resistor

Stackpole Electronics, Inc.
Resistive Product Solutions

Wave Soldering

| Description | Maximum | Recommended | Minimum |
|--------------------|------------|-------------|------------|
| Preheat Time | 80 seconds | 70 seconds | 60 seconds |
| Temperature Diff. | 140°C | 120°C | 100°C |
| Solder Temp. | 260°C | 250°C | 240°C |
| Dwell Time at Max. | 10 seconds | 5 seconds | * |
| Ramp DN (°C/sec) | N/A | N/A | N/A |

Temperature Diff. = Difference between final preheat stage and soldering stage.

Convection IR Reflow

| Description | Maximum | Recommended | Minimum |
|--------------------|-------------|-------------|------------|
| Ramp Up (°C/sec) | 3°C/sec | 2°C/sec | * |
| Dwell Time > 217°C | 150 seconds | 90 seconds | 60 seconds |
| Solder Temp. | 260°C | 245°C | * |
| Dwell Time at Max. | 30 seconds | 15 seconds | 10 seconds |
| Ramp DN (°C/sec) | 6°C/sec | 3°C/sec | * |

Recommended Lead Free Resistor Reflow Profile



RoHS Compliance

Stackpole Electronics has joined the worldwide effort to reduce the amount of lead in electronic components and to meet the various regulatory requirements now prevalent, such as the European Union's directive regarding "Restrictions on Hazardous Substances" (RoHS 3). As part of this ongoing program, we periodically update this document with the status regarding the availability of our compliant components. All our standard part numbers are compliant to EU Directive 2011/65/EU of the European Parliament as amended by Directive (EU) 2015/863/EU as regards the list of restricted substances.

RoHS Compliance Status

| Standard Product Series | Description | Package / Termination Type | Standard Series RoHS Compliant | Lead-Free Termination Composition | Lead-Free Mfg. Effective Date (Std Product Series) | Lead-Free Effective Date Code (YY/WW) |
|-------------------------|--------------------------------------------------------------------|----------------------------|--------------------------------|-----------------------------------|----------------------------------------------------|---------------------------------------|
| CB | General Purpose Ceramic Housed with Axial Leads Wirewound Resistor | Axial | YES | 100% Matte Sn | Jan-06 | 06/01 |
| MCB | Ceramic Housed General Purpose Metal Oxide Element Resistor | Axial | YES | 100% Matte Sn | Jan-06 | 06/01 |

CB / MCB Series

Ceramic Housed with Axial Leads Power Resistor

Stackpole Electronics, Inc.
Resistive Product Solutions

“Conflict Metals” Commitment

We at Stackpole Electronics, Inc. are joined with our industry in opposing the use of metals mined in the “conflict region” of the eastern Democratic Republic of the Congo (DRC) in our products. Recognizing that the supply chain for metals used in the electronics industry is very complex, we work closely with our own suppliers to verify to the extent possible that the materials and products we supply do not contain metals sourced from this conflict region. As such, we are in compliance with the requirements of Dodd-Frank Act regarding Conflict Minerals.

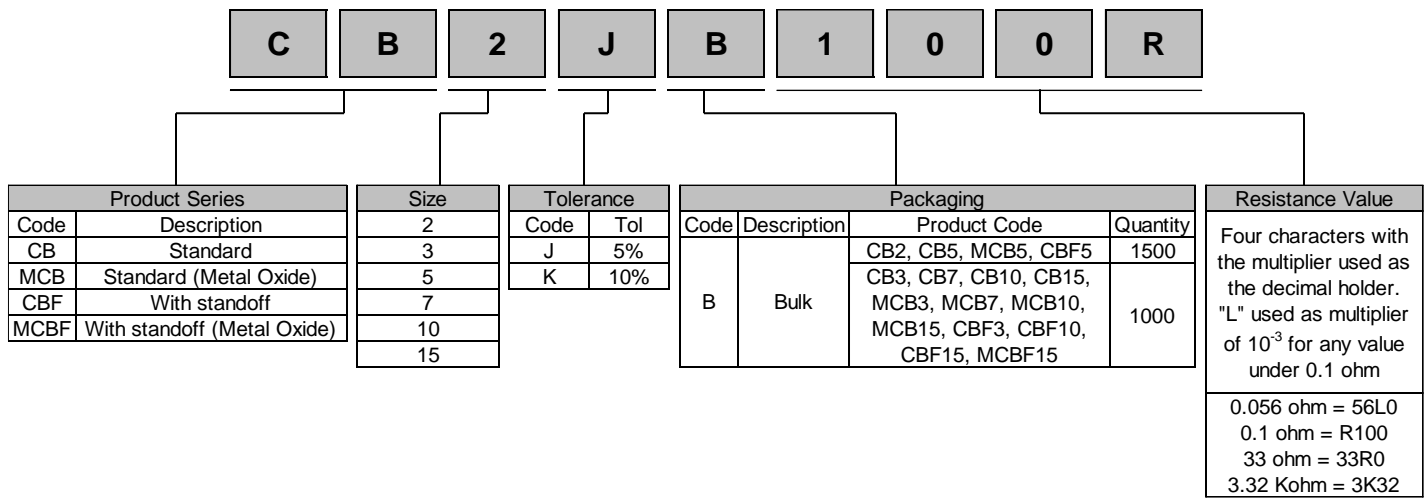
Compliance to “REACH”

We certify that all passive components supplied by Stackpole Electronics, Inc. are SVHC (Substances of Very High Concern) free and compliant with the requirements of EU Directive 1907/2006/EC, “The Registration, Evaluation, Authorization and Restriction of Chemicals”, otherwise referred to as REACH. Contact us for complete list of REACH Substance Candidate List.

Environmental Policy

It is the policy of Stackpole Electronics, Inc. (SEI) to protect the environment in all localities in which we operate. We continually strive to improve our effect on the environment. We observe all applicable laws and regulations regarding the protection of our environment and all requests related to the environment to which we have agreed. We are committed to the prevention of all forms of pollution.

How to Order



OUR CERTIFICATE

DiGi provide top-quality products and perfect service for customer worldwide through standardization, technological innovation and continuous improvement. DiGi through third-party certification, we strictly control the quality of products and services. Welcome your RFQ to

Email: Info@DiGi-Electronics.com



Tel: +00 852-30501935

RFQ Email: Info@DiGi-Electronics.com

DiGi is a global authorized distributor of electronic components.