

www.digi-electronics.com



SS-7188S-A-PG4-BA Datasheet

DiGi Electronics Part Number	SS-7188S-A-PG4-BA-DG
Manufacturer	Stewart Connector
Manufacturer Product Number	SS-7188S-A-PG4-BA
Description	CONN MOD JACK 8P8C R/A SHIELDED

<https://www.DiGi-Electronics.com>

Detailed Description

Jack Modular Connector 8p8c (RJ45, Ethernet) 90° Angle (Right) Shielded, EMI Finger Cat5e

This model SS-7188S-A-PG4-BA is available at DiGi Electronics.

DiGi Electronics offers a global database of semiconductor and electronic component datasheets.

We welcome your inquiries regarding pricing, lead time, or other product-related questions.

 [Request a Quote](#)

 [Datasheet Search](#)

Tel: +00 852-30501935

RFQ Email: Info@DiGi-Electronics.com

DiGi is a global authorized distributor of electronic components.

Purchase and inquiry

Manufacturer Product Number:

SS-7188S-A-PG4-BA

Series:

71

Connector Type:

Jack

Number of Ports:

1

Mounting Type:

Through Hole

Termination:

Solder

Ratings:

Cat5e

LED Color:

Does Not Contain LED

Tab Direction:

Down

Contact Finish:

Gold

Housing Material:

Thermoplastic

Manufacturer:

Stewart Connector

Product Status:

Obsolete

Number of Positions/Contacts:

8p8c (RJ45, Ethernet)

Number of Rows:

1

Orientation:

90° Angle (Right)

Shielding:

Shielded, EMI Finger

Features:

Board Lock

Ingress Protection:

-

Contact Material:

Copper Alloy

Contact Finish Thickness:

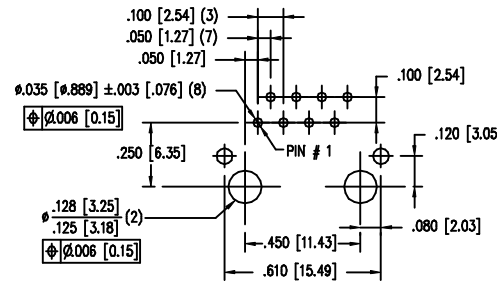
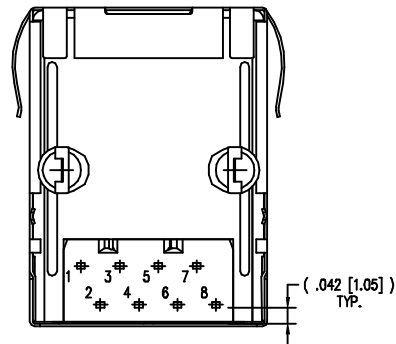
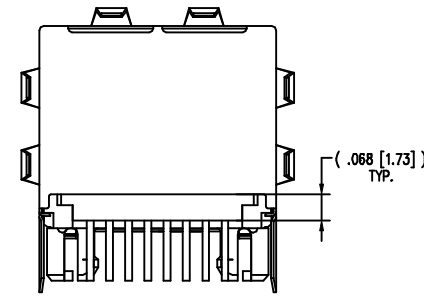
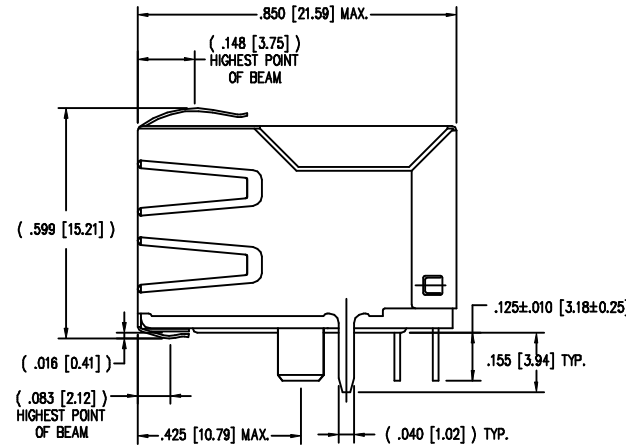
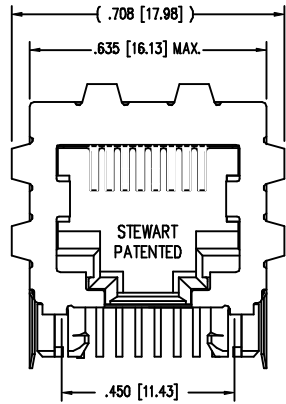
30.0µin (0.76µm)

Operating Temperature:

-40°C ~ 85°C

SS-7188S-A-PG4-BA Stewart Connector CONN MOD JACK 8P8C R/A SHIELDED

DATE	REV	ECN	APP'D. BY
3/23/00	A2	3613	TRM
4/16/02	A3	6002	RGC

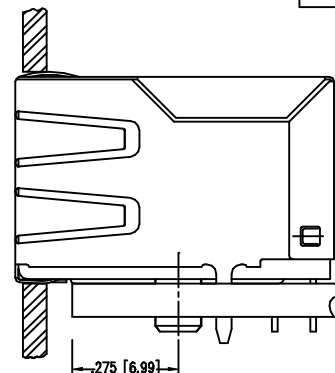
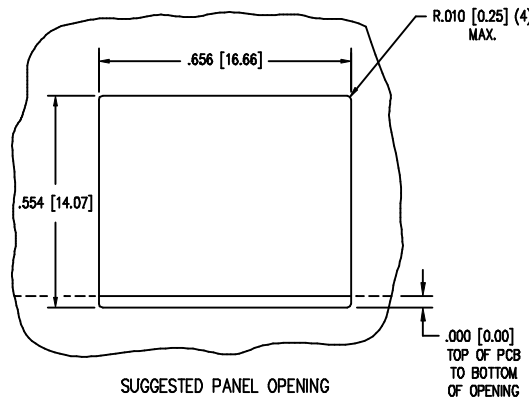


NOTES:

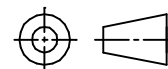
- CONNECTOR MATERIALS:
HOUSING: THERMOPLASTIC UL94 V-0
CONTACTS/SHIELD: COPPER ALLOY
SHIELD PLATING: NICKEL OR TIN
CONTACT PLATING: SELECTIVE GOLD IN CONTACT AREA
SEE CHART FOR PART NUMBER
- PRODUCT DESIGNED FOR CATEGORY 5 APPLICATIONS.
- TOLERANCES COMPLY WITH F.C.C. DIMENSION REQUIREMENTS.
- THE SUGGESTED PANEL OPENING IS INTENDED TO GIVE USER THE ABILITY TO HAVE REASONABLE JACK/PANEL CLEARANCES, YET MAINTAIN GROUNDING CAPABILITY. THESE VARIABLES CAN BE ADJUSTED IN EITHER DIRECTION BUT MAY CARRY SOME CONSEQUENCES IN THE FORM OF LOWER MATING FORCES OR TIGHTER ASSEMBLY TOLERANCES.

P.C.B. RECOMMENDED HOLE LAYOUT
SEEN FROM COMPONENT SIDE
ALL CENTERLINE DIMENSIONS ARE BASIC.

50 MICRO-INCHES [1.27um]	SS-7188S-A-PG4-BA-50
30 MICRO-INCHES [0.76um]	SS-7188S-A-PG4-BA
CONTACT PLATING IN MATING AREA	PART NUMBER



THIRD ANGLE PROJECTION



11118 Susquehanna Trail South
Glen Rock, PA 17327-9199
(717) 235-7512 Fax: (717) 235-7954

<http://www.stewartconnector.com>

DO NOT SCALE DRAWING
DRAWING IS SUBJECT TO
CHANGE WITHOUT NOTICE

TITLE: 8 CONTACT, 8 POSITION, SHIELDED CAT 5 JACK
EMI-RFI ONE PIECE SHIELDED, ESD GROUNDED

DIMENSIONS: INCHES [METRIC]
UNLESS OTHERWISE SPECIFIED
TOLERANCES ARE ±.005 [0.13]
ANGLES ARE ± 1°

THIS DRAWING AND THE SUBJECT MATTER SHOWN THEREON
ARE CONFIDENTIAL AND THE PROPRIETARY PROPERTY OF
OF STEWART AND SHALL NOT BE REPRODUCED, COPIED
OR USED IN ANY MANNER WITHOUT PRIOR WRITTEN
CONSENT OF STEWART. THE SUBJECT MATTER MAY
BE PATENTED OR A PATENT MAY BE PENDING.

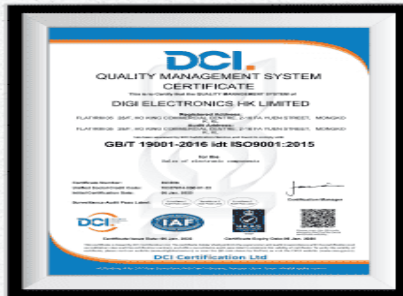
DRW BY: DAB	DATE: 4/15/03
CKD BY: TRM	DATE: 4-17-03
APPD BY: RGC	DATE: 4-17-03
DWG NO. CT710024	REV: A3

SHEET NO. 1 OF 1

OUR CERTIFICATE

DiGi provide top-quality products and perfect service for customer worldwide through standardization, technological innovation and continuous improvement. DiGi through third-party certification, we stricy control the quality of products and services. Welcome your RFQ to

Email: Info@DiGi-Electronics.com



Tel: +00 852-30501935

RFQ Email: Info@DiGi-Electronics.com

DiGi is a global authorized distributor of electronic components.