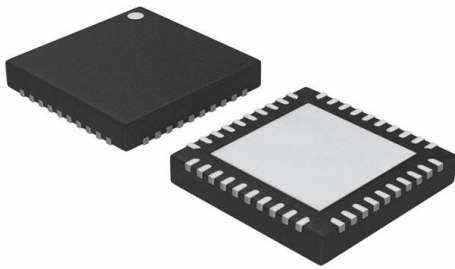


# L99LD21Q6TR Datasheet

[www.digi-electronics.com](http://www.digi-electronics.com)



<https://www.DiGi-Electronics.com>

DiGi Electronics Part Number	L99LD21Q6TR-DG
Manufacturer	<a href="#">STMicroelectronics</a>
Manufacturer Product Number	L99LD21Q6TR
Description	IC LED DRVR RGLTR PWM 1.5A 40QFN
Detailed Description	LED Driver IC 2 Output DC DC Regulator Buck, Boost PWM Dimming 1.5A 40-QFN (6x6)

This model L99LD21Q6TR is available at DiGi Electronics.

DiGi Electronics offers a global database of semiconductor and electronic component datasheets.

We welcome your inquiries regarding pricing, lead time, or other product-related questions.

 [Request a Quote](#)

 [Datasheet Search](#)



Tel: +00 852-30501935

RFQ Email: [Info@DiGi-Electronics.com](mailto:Info@DiGi-Electronics.com)

DiGi is a global authorized distributor of electronic components.

## Purchase and inquiry

Manufacturer Product Number:

L99LD21Q6TR

Series:

-

Type:

DC DC Regulator

Internal Switch(s):

Yes

Voltage - Supply (Min):

5.5V

Voltage - Output:

50V

Frequency:

100kHz ~ 450kHz

Applications:

Lighting

Grade:

Automotive

Mounting Type:

Surface Mount

Supplier Device Package:

40-QFN (6x6)

Manufacturer:

STMicroelectronics

Product Status:

Active

Topology:

Buck, Boost

Number of Outputs:

2

Voltage - Supply (Max):

24V

Current - Output / Channel:

1.5A

Dimming:

PWM

Operating Temperature:

-40°C ~ 150°C (TJ)

Qualification:

AEC-Q100

Package / Case:

40-TFQFN Exposed Pad

Base Product Number:

L99LD21

## Environmental & Export classification

RoHS Status:

ROHS3 Compliant

REACH Status:

REACH Unaffected

HTSUS:

8542.39.0001

Moisture Sensitivity Level (MSL):

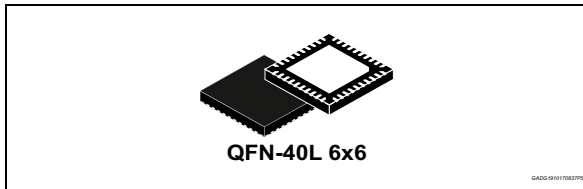
3 (168 Hours)

ECCN:

EAR99

## High power LED driver for automotive applications

Datasheet - production data



### Features

- AEC-Q100 qualified
- General
  - ST SPI communication v4.1
  - 5.5 to 24 V Operating battery voltage range
  - Load dump protected
  - QFN40L 6x6 (wetable flanks) with exposed pad
  - Timeout watchdog and limp home function
  - Low standby current
- Boost Section
  - Fixed frequency architecture, programmable by SPI
  - Peak current mode control
  - Dual phase operation supported
  - Input current limitation
  - Soft start
  - Overvoltage protection (OVP)
  - Short feedback failure protection
  - Constant voltage control
- Buck section
  - Integrated switching mosfets
  - Lossless current sensing without need of external components
  - Very accurate LED current setting programming inductor's peak current and peak-to-peak current ripple
  - Adjustable peak current by SPI
  - Adjustable current ripple by SPI
  - Integrated PWM generation unit with 10-bit resolution and phase shift



- Peak current control
- Constant VLED x TOFF architecture
- Protection and diagnostic
  - Battery under voltage
  - Temperature warning (2 thresholds)
  - Overtemperature shutdown
  - LED voltage digital feedback through SPI
  - Buck outputs short circuit and open load protection

### Applications

- Low Beam
- High beam
- Daytime running light
- Turn indicator
- Position light
- Side marker
- Fog light

### Description

The L99LD21 is a flexible LED driver, which is specifically designed for the control of two independent high brightness LED strings for automotive front lighting applications. It consists of a high efficiency monolithic boost controller and a dual buck converter.

The boost controller integrates a high current gate driver for an external n-channel mosfet. It delivers a constant output voltage, up to 60 V, which supplies the inputs of the two integrated or external buck converters.

The boost controller of two devices can be stacked, in order to operate in dual phase for high power applications, with an interleaving pattern for an improved input current ripple.

The buck converters integrate n-channel mosfet which is driven by a bootstrap circuit.

# Contents

<b>1</b>	<b>Introduction</b> .....	<b>8</b>
1.1	Typical application .....	9
<b>2</b>	<b>Boost controller</b> .....	<b>13</b>
2.1	General description .....	13
2.2	Frequency selection .....	13
2.3	Output voltage setting .....	13
2.4	Overvoltage protection .....	13
2.5	Feedback failure protection .....	14
2.6	Operation in dual phase interleaved mode .....	14
2.7	Soft start .....	16
2.8	Slope compensation .....	16
2.9	Operation together with the buck converters .....	16
<b>3</b>	<b>Buck converters</b> .....	<b>18</b>
3.1	General description .....	18
3.2	Bootstrap circuit .....	18
3.3	Peak and average current setting .....	18
3.4	Buck converter's blank time .....	20
3.5	Buck converter's start-up .....	21
3.6	Switching frequency .....	21
<b>4</b>	<b>Functional description</b> .....	<b>22</b>
4.1	Operating modes .....	22
4.1.1	Standby mode .....	22
4.1.2	Pre-standby mode .....	23
4.1.3	Reset mode .....	23
4.1.4	Limp home .....	23
4.1.5	Active mode .....	24
4.2	Programmable functions .....	25
4.2.1	Activation of the buck output .....	25
4.2.2	PWM dimming .....	25

4.3	Protections	26
4.3.1	Temperature warning	26
4.3.2	Overtemperature shutdown	27
4.3.3	VS under voltage lockout	27
4.3.4	Buck T <sub>ON</sub> minimum operation	27
4.3.5	Buck output's short circuit to GND	27
4.3.6	Buck T <sub>ON</sub> maximum operation	28
4.3.7	Buck Open Load detection	28
<b>5</b>	<b>SPI functional description</b>	<b>29</b>
5.1	SPI protocol	29
5.2	SPI communication	29
5.3	Address mapping	31
5.4	Registers description	33
5.4.1	Control Register description	33
5.4.2	Status Register description	39
5.4.3	Customer test and trimming registers description	45
5.4.4	Customer test and trimming procedure description	46
<b>6</b>	<b>Electrical specifications</b>	<b>51</b>
6.1	Absolute maximum ratings	51
6.2	ESD protection	52
6.3	Thermal characteristics	52
6.4	Electrical characteristics	53
6.4.1	Supply	53
6.4.2	Boost controller	54
6.4.3	Buck	56
6.4.4	SPI	62
6.4.5	Direct input	63
6.4.6	PWM dimming	64
6.4.7	Digital timings	65
<b>7</b>	<b>Package and PCB thermal data</b>	<b>66</b>
7.1	QFN-40L 6x6 thermal data	66
<b>8</b>	<b>Package information</b>	<b>67</b>

<b>Contents</b>	<b>L99LD21</b>
8.1 QFN-40L 6x6 package information .....	67
<b>9 Order codes .....</b>	<b>69</b>
<b>Appendix A Glossary .....</b>	<b>70</b>
<b>Revision history .....</b>	<b>71</b>

## List of tables

Table 1.	Pin functionality . . . . .	11
Table 2.	Reference voltage configuration . . . . .	13
Table 3.	Operating modes . . . . .	24
Table 4.	DIN pin Map for Buck1 and Buck2 . . . . .	25
Table 5.	Command byte (8 bit) . . . . .	29
Table 6.	Data byte 2 . . . . .	29
Table 7.	Data byte 1 . . . . .	29
Table 8.	Data byte 0 . . . . .	30
Table 9.	Operation code definition . . . . .	30
Table 10.	Global Status Byte . . . . .	30
Table 11.	Global Status Byte description . . . . .	31
Table 12.	RAM memory map . . . . .	31
Table 13.	ROM memory map . . . . .	32
Table 14.	CR#1: Control Register 1 . . . . .	33
Table 15.	CR#2: Control Register 2 . . . . .	34
Table 16.	CR#3: Control Register 3 . . . . .	35
Table 17.	CR#4: Control Register 4 . . . . .	36
Table 18.	Constant VLED x TOFF selection . . . . .	37
Table 19.	DIN map table for Buck Cell X . . . . .	37
Table 20.	Boost clock selection . . . . .	37
Table 21.	Buck input voltage window . . . . .	38
Table 22.	SR#1: Status Register 1 . . . . .	39
Table 23.	SR#2: Status Register 2 . . . . .	41
Table 24.	SR#3: Status Register 3 . . . . .	44
Table 25.	Watchdog status . . . . .	44
Table 26.	CT: Ctm Trimming Register . . . . .	45
Table 27.	Writing test conditions . . . . .	46
Table 28.	Testing procedure description . . . . .	48
Table 29.	Default peak current selection for Buck Cell 1 . . . . .	50
Table 30.	Default VLEDxTOFF Selection for Buck Cell 1 . . . . .	50
Table 31.	Absolute maximum ratings . . . . .	51
Table 32.	ESD protection . . . . .	52
Table 33.	QFN40L 6x6 thermal resistance . . . . .	52
Table 34.	Thermal characteristics . . . . .	52
Table 35.	Supply . . . . .	53
Table 36.	Boost gate driver . . . . .	54
Table 37.	Boost controller . . . . .	54
Table 38.	Boost controller reference voltage . . . . .	55
Table 39.	Buck converter power stage . . . . .	56
Table 40.	Inductor peak current selection . . . . .	58
Table 41.	VLEDxTOFF constants . . . . .	61
Table 42.	SPI signal description . . . . .	62
Table 43.	SPI timings . . . . .	62
Table 44.	Direct Input pin limits . . . . .	63
Table 45.	PWMCLK and Fall back PWM description . . . . .	64
Table 46.	Digital timings description . . . . .	65
Table 47.	PCB properties . . . . .	66
Table 48.	QFN-40L 6x6 mechanical data . . . . .	68

**List of tables****L99LD21**

---

Table 49.	Device summary . . . . .	69
Table 50.	Glossary . . . . .	70
Table 51.	Document revision history . . . . .	71

## List of figures

Figure 1.	Functional block diagram . . . . .	9
Figure 2.	Typical application schematic . . . . .	10
Figure 3.	Application diagram . . . . .	10
Figure 4.	Connection diagram . . . . .	11
Figure 5.	Pin connections in dual-phase boost controller . . . . .	15
Figure 6.	Slope compensation . . . . .	16
Figure 7.	Peak current control principle . . . . .	19
Figure 8.	Inductor and mosfet current waveforms . . . . .	20
Figure 9.	Device state diagram . . . . .	22
Figure 10.	Testing flow chart . . . . .	47
Figure 11.	IL_PEAK vs DAC code - Low $R_{dson}$ . . . . .	60
Figure 12.	IL_PEAK vs DAC code - High $R_{dson}$ . . . . .	60
Figure 13.	$V_{LED} \times T_{OFF}$ vs DAC code . . . . .	61
Figure 14.	PWM clock failure and reset sequence . . . . .	64
Figure 15.	QFN-40L 6x6 on four-layers PCB . . . . .	66
Figure 16.	QFN-40L 6x6 package dimensions . . . . .	67

# 1 Introduction

The L99LD21 is a monolithic driver IC, which controls the current of two independent high power LED strings, whose forward current and voltage can reach up to 1.5 A (average) and up to 50V respectively.

This device has been designed with dedicated functions, in order to fulfill the stringent requirements of automotive front lighting applications.

The device offers a high level of flexibility, without any change of the external components, thanks to its programmability through the ST SPI interface. This feature support generic platform approaches, which require a software configurability of several parameters. This robust interface, offers a detailed diagnostic of the device itself, as well as of the controlled LED strings.

As the device potentially controls safety critical functions such as low beams and turn indicators, built-in features are integrated in order to support a high level of functional safety. The L99LD21 features a timeout watchdog, a monitoring of the watchdog counter, a limp home function and a direct input. The ST SPI protocol takes into account FMEA case.

The device consists of a boost controller, which controls the PWM of an external n-channel mosfet and provides a stabilized voltage ( $V_{BOOST}$ ). The input of the boost stage must be connected to the battery voltage through a reverse polarity protection.

The boost controllers of two L99LD21 can be combined to form a dual-phase, interleaved boost controller. Special care has been taken for the current balancing between the different phases and for the switching activity of the boost mosfets with 180° phase shift.

The output of the boost controller supplies the input of the two independent integrated buck converters, or any other external buck converters, whose input voltage is compatible with  $V_{BOOST}$ . The integrated buck converters are based on constant off-time architecture (for a given LED output voltage) and control the peak current and the peak-to-peak current ripple of their respective inductors.

Operating in continuous conduction mode, the average of each LED string's current, which is connected to the output of each buck converter, is tightly controlled.

This architecture, which consists of cascaded boost and buck stages (see [Figure 2](#)), allows the control of a wide range of LED strings, whose forward voltage is independent from the battery voltage.

With the aim of ensuring a wide operating inductor current range, the Buck mosfets can be set in low or high  $R_{DS\_ON}$  modes, so that two different inductor peak current ( $I_{LX\_PEAK}$ ) ranges [0.179 A ÷ 0.849 A] or [0.362 A ÷ 1.695 A] can be selected.

The average LED current is controlled by setting the inductor's peak current and peak-to-peak current ripple. Sensing of the peak current is integrated, not requiring any external shunt resistance, which saves cost and reduces the power dissipation.

Buck n-channel mosfet  $R_{DS\_ON}$  value depends on the operative conditions as junction temperature, Input voltage and LED string current. For example, at  $V_{Buckin} = 45$  V,  $I_{led} = 700$  mA,  $T_j = 25$  °C the maximum  $R_{DS\_ON}$  is 400 mΩ (low  $R_{DS\_ON}$  mode).

### 1.1 Typical application

Figure 1. Functional block diagram

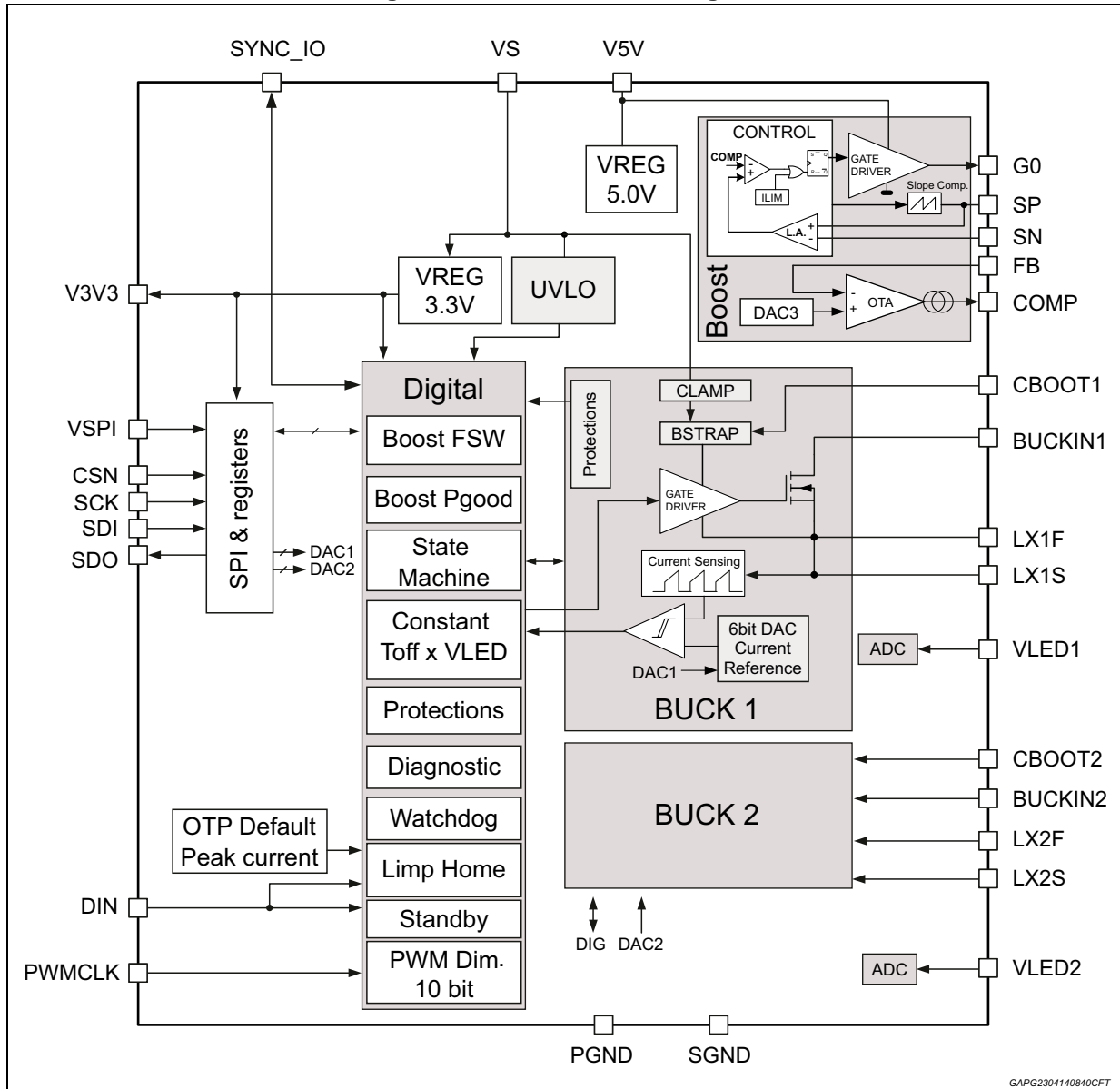


Figure 2. Typical application schematic

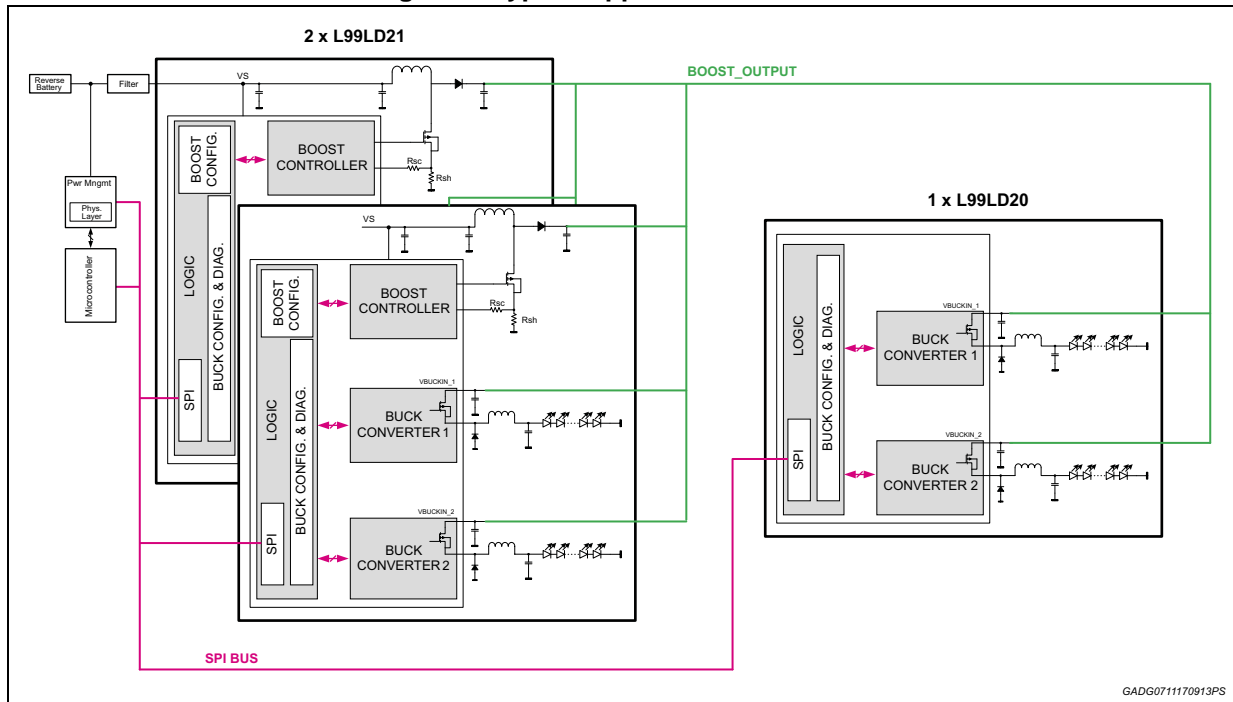


Figure 3. Application diagram

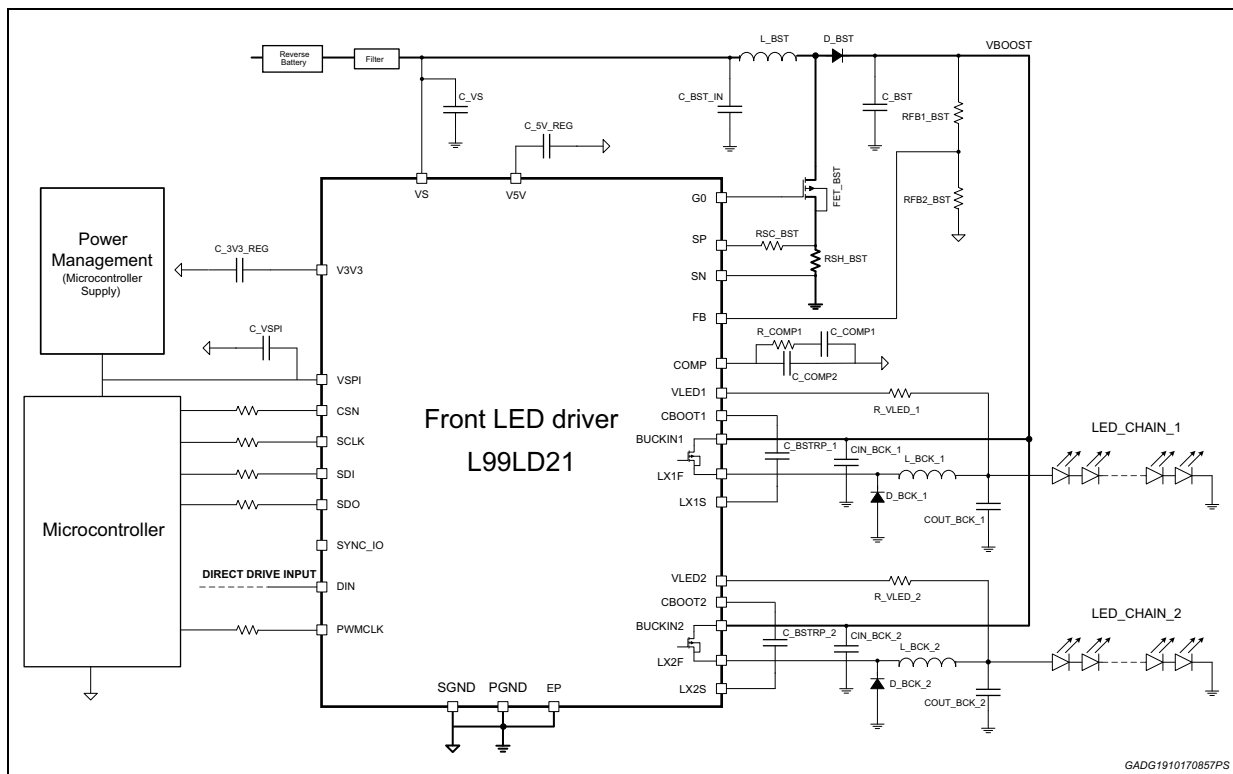


Figure 4. Connection diagram

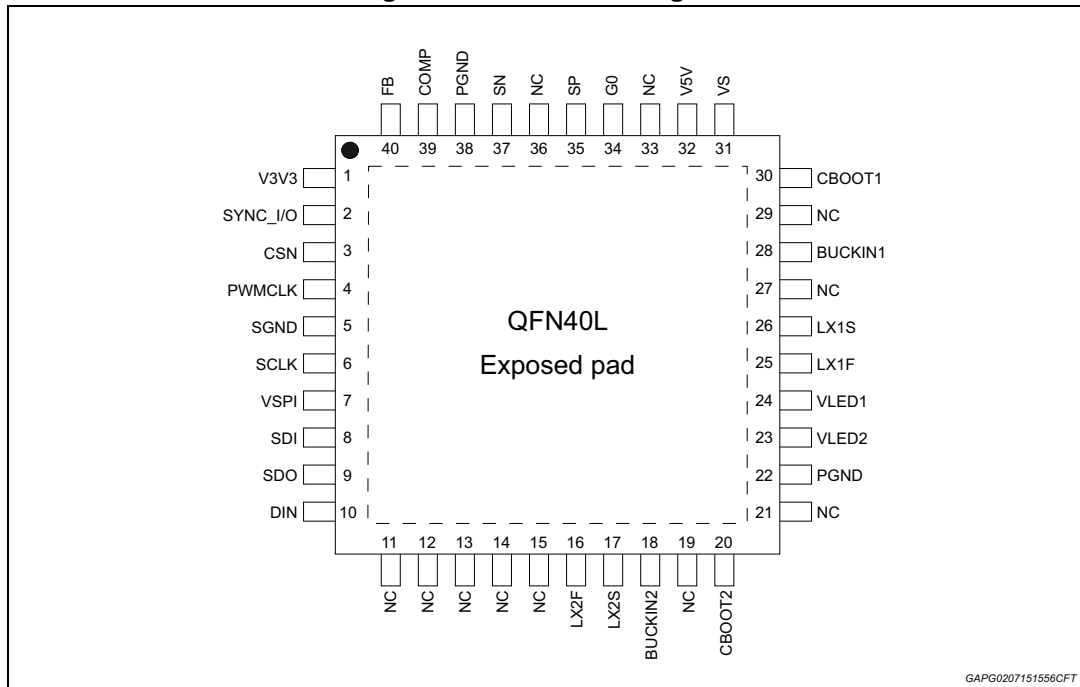


Table 1. Pin functionality

Pin #	Name	Function
1	V3V3	Output of the 3.3 V regulated internal supply. Connect a low ESR capacitor (4.7 $\mu$ F) close to this pin.
2	SYNC_I/O	Boost synchronization Input or Output. This pin generates the clock signal for synchronizing another L99LD21 Boost in dual phase configuration.
3	CSN	Chip Select Not (active low) for SPI communication. It is the selection pin of the device. It is a CMOS compatible input.
4	PWMCLK	Clock input for the internal PWM dimming generator.
5	SGND	Signal Ground connection.
6	SCK	Serial Clock for SPI communication. It is a CMOS compatible input.
7	VSPI	Connection to external 3.3 V or 5 V supplies voltage. The external supply powers SPI interface and the I/O signal pins to the microcontroller. It is suggested to connect 100nF capacitor close to this pin.
8	SDI	Serial Data Input for SPI communication. Data is transferred serially into the device on SCK rising edge.
9	SDO	Serial Data Output for SPI communication. Data is transferred serially out of the device on SCK falling edge.
10	DIN	Direct input pin.
16	LX2F	Connection to the switching source node of the buck2. This pin must be connected to external free-wheeling diode.

Table 1. Pin functionality (continued)

Pin #	Name	Function
17	LX2S	Kelvin connection to the switching source node of the buck2. This pin has to be connected to external bootstrap capacitance.
18	BUCKIN2	Connection to the input of the buck channel 2
20	CBOOT2	Connection to the bootstrap capacitor (100nF) of the buck channel 2.
22, 38	PGND	Power Ground connection.
23	VLED2	Connection to the anode of the LED string for read back of the forward voltage of the channel 2.
24	VLED1	Connection to the anode of the LED string for read back of the forward voltage of the channel 1.
25	LX1F	Connection to the switching source node of the buck1. This pin must be connected to external free-wheeling diode.
26	LX1S	Kelvin connection to the switching source node of the buck1. This pin has to be connected to external bootstrap capacitance.
28	BUCKIN1	Connection to the input of the buck channel 1.
30	CBOOT1	Connection to the bootstrap capacitor (100 nF) of the buck channel 1.
31	VS	Input supply pin of the IC. Connect VS to the battery voltage.
32	V5V	Output of the 5V regulated internal supply. Connect a low ESR capacitor (4.7 $\mu$ F) close to this pin.
34	G0	Output of the boost gate driver for the external switching mosfet.
35	SP	Positive connection to the boost shunt resistor, in series to the boost switching mosfet.
37	SN	Negative connection (Ground) to the boost shunt resistor, in series to the boost switching mosfet.
39	COMP	Output of the error amplifier of the boost controller. Connect the compensation network between this pin and SGND.
40	FB	Boost output voltage feedback. Connect the FB pin to the boost output voltage, via a resistor divider.
11, 12, 13, 14, 15, 19, 21, 27, 29, 33, 36	NC	Not connected

## 2 Boost controller

### 2.1 General description

The L99LD21 integrates one boost controller, which is based on a fixed frequency, peak current mode architecture. It drives the gate of an external n-channel mosfet in order to step up the VS input voltage to a higher stabilized output voltage.

### 2.2 Frequency selection

The boost controller operates at a fixed frequency which can range from 100 kHz to 450 kHz. The switching frequency is set by a SPI control register (CR#3<9:7>, see [Section 5.4: Registers description](#)).

### 2.3 Output voltage setting

The control loop regulates the voltage at the FB pin to a reference voltage, which value, according table 2, is configurable by the control register CR#3<11:10> (see [Section 5.4: Registers description](#)). Connect the resistor divider tap, top and bottom respectively to the FB pin, to output of the boost controller and to the bottom to SGND.

The resulting boost output voltage is given by:

$$V_{\text{BOOST}} = V_{\text{FB\_REF}}[b_1, b_0] \cdot \left[ 1 + \frac{R_1}{R_2} \right]$$

**Table 2. Reference voltage configuration**

b1	b0	V <sub>FB_REF</sub> [V]
0	0	0.596
0	1	0.895
1	0	1.242
1	1	1.496

### 2.4 Overvoltage protection

The peak current mode requires a minimum on-time, because of the noise generated right after the turn-on of the switching mosfet. At light load (very low output current), this minimum on-time, in combination with the selected switching frequency is no longer able to regulate the output voltage to the requested voltage. The device enters in overvoltage protection (OVP), in order to prevent an excessive rise of the boost output voltage above the target voltage.

This mode is activated when the voltage on FB pin is higher than the selected internal reference voltage of a specified threshold value ( $V_{FB\_OV\_ON}$ ).

The switching activity is resumed as soon as the voltage on FB pin decreases to the selected internal reference voltage ( $V_{FB\_REF[xx]}$ ).

In case of FB voltage increases above  $V_{FB\_OV\_ON}$ , an output digital flag, called BST\_OVP, is set.

As soon as feedback voltage decreases down to target value ( $V_{FB\_REF[xx]}$ ), the bit is reset after  $t_{BST\_OVP\_RST}$  delay time. This delay time is implemented in order to eliminate the diagnostic ambiguity (toggling of the OVP flag) during permanent no load / light load operation.

BST\_OVP bit is not set in case of boost disabled or boost feedback failure.

## 2.5 Feedback failure protection

L99LD21 is protected in case of boost controller feedback pin failure. More in detail, a specific bit, called BST\_FB\_FAIL, is set in case of feedback pin is shorted to ground.

When this bit is set:

- If device is OFF, boost controller does not start;
- If device is ON in single phase configuration, boost controller is immediately switched OFF;
- If device is ON in dual phase configuration and it is in Active mode: both boost controllers are switched off when the failure is recognized on Master side; only Slave controller is switched off when the failure is recognized on Slave side while the Master is managed by the microcontroller;
- If device is ON in dual phase configuration and it is in Limp Home: both boost controllers are switched off when the failure is recognized on Master side; only Slave controller is switched off when the failure is recognized on Slave side, while the Master is forced to work at minimum duty cycle.

The reset of FB failure bit is demanded to the microcontroller (in Active mode) or to an auto-restart function (in Limp Home) that cyclically clears this bit with a period equal to  $t_{AUTORESTART}$ .

This bit is not set if L99LD21 internal boost controller is not used (in this case, BST\_DIS bit is set).

If left floating, feedback pin will be pulled up internally. In this case, BST\_OVP bit will be set permanently and boost gate driver will be permanently off. Since the feedback pin voltage is in any case high, N\_PWR\_GOOD flag is reset in such condition and shall be ignored.

*Note:* Setting this bit doesn't imply any action on buck converters.

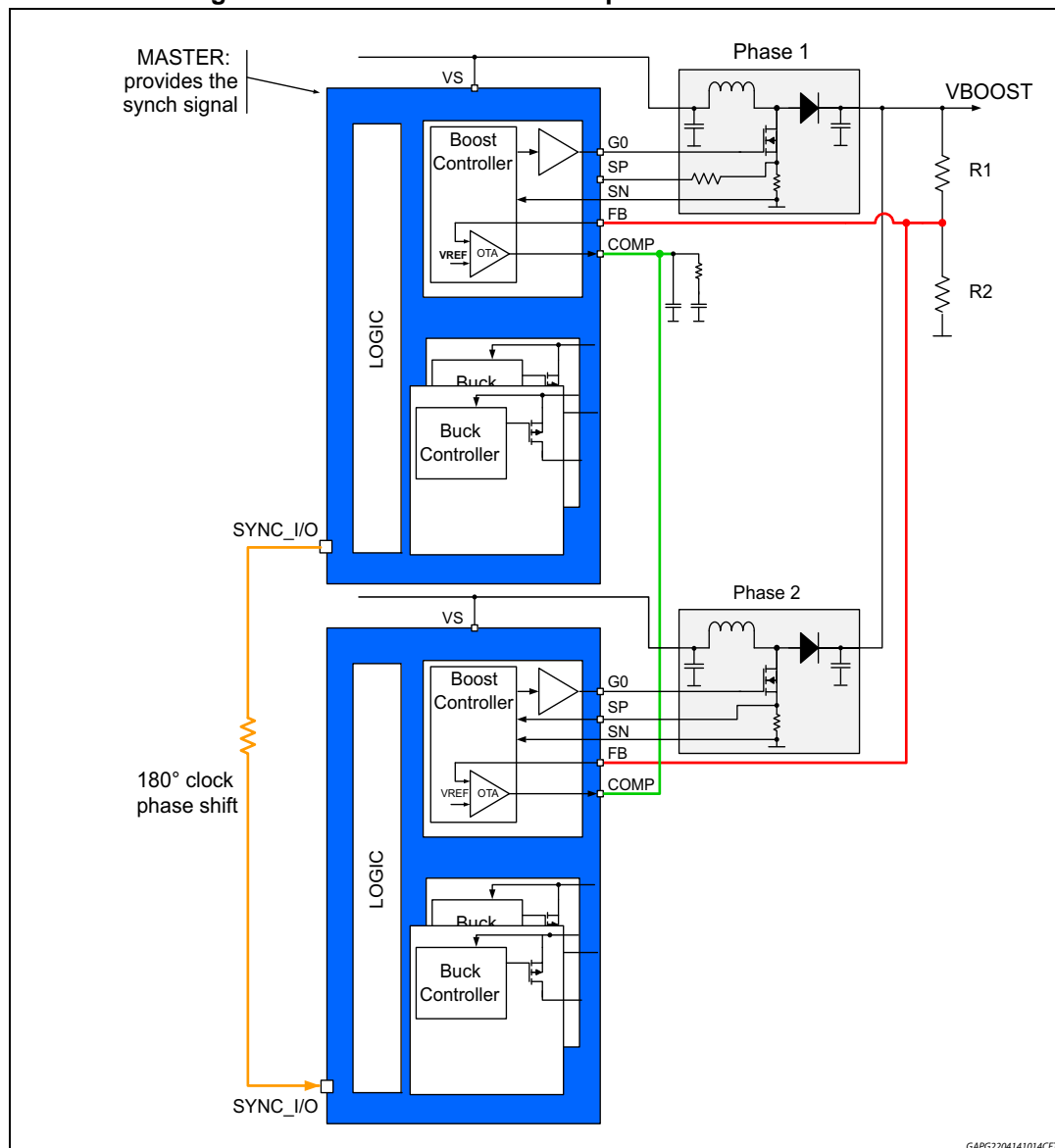
## 2.6 Operation in dual phase interleaved mode

It is possible to combine the boost controllers of two L99LD21, for high power applications, in dual phase configuration. In this configuration, the switching mosfets of the boost controllers are driven at 180° out of phase. By sharing the current between two phases, the conduction losses (which are proportional the square of the conducted current) are reduced and the efficiency of the boost stage increases, in comparison to a single-phase.

The effective switching frequency is doubled and the ripple cancellation effect results in a reduction of the input and output current ripple. This allows small input and output capacitances.

For an operation in dual-phase configuration, FB, COMP and SYNC\_I/O pins must be respectively connected together as shown in [Figure 5](#).

**Figure 5. Pin connections in dual-phase boost controller**



One of the L99LD21 must be configured as the master and the other device must be configured as the slave (see bit <1> on [Table 15: CR#2: Control Register 2](#)). The SYNC\_I/O of the master acts as an output, whilst the slave one respectively as an input. The master boost provides a clock signal to the slave, in order to achieve an interleaved switching activity of the slave boost controller, which is 180° out of phase to that of the master.

For a proper current balancing between the boost phases, the shunt resistors, which are placed in series to the source of the mosfets, and the inductors, must be identical.

## 2.7 Soft start

The L99LD21 features an internal soft start function, which gradually increases the boost mosfet current limit in 8 steps, in order to avoid a voltage overshoot of the boost output. The threshold of the current limitation reaches its nominal value after a specified soft start time ( $t_{SS}$ ).

A soft-start phase is initiated at the activation of the boost controller:

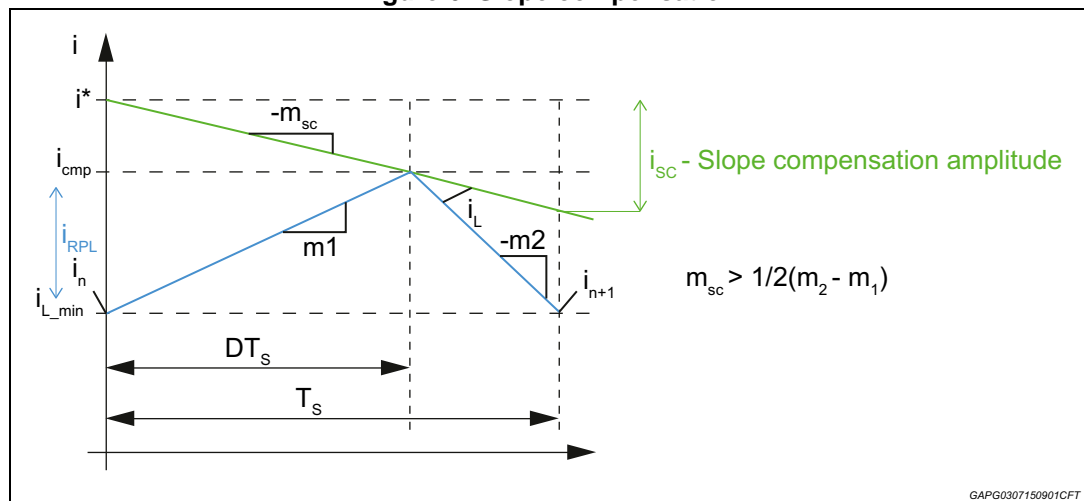
- after leaving standby mode;
- after deactivation of the boost controller due to a VS under voltage;
- after a previous de-activation of the boost by SPI (see bit <1> on [Table 16: CR#3: Control Register 3](#));
- after deactivation of the boost controller due to a BST\_FB\_FAIL.

## 2.8 Slope compensation

Slope compensation is needed to ensure loop stability with all possible values of duty cycle:  $D = T_{ON} / T$  ( $0 < D < 1$ ) especially when duty cycle is greater than 0.5. The slope of the additional ramp is proportional to converter inductor current slope during the turn off phase.

The L99LD21 generates an internal peak current value,  $I_{SLOPE}$ , which is added to the sensing signal at the output of the OTA. The percentage of slope compensation is achieved by choosing a proper value of the  $R_{SC}$  resistor (see [Figure 2](#) for  $R_{SC}$  resistor proper connection).

Figure 6. Slope compensation



## 2.9 Operation together with the buck converters

Right after a power on reset (POR) of the device or after a fault event leading to a latch-off of the boost controller (VS under voltage), a soft start phase is initiated and the boost is activated.

The buck converters activation depends on device status (see [Section 4.1: Operating modes](#)):

- Active mode: in this case, bucks are immediately operative. Their status will depend on DINMAP register configuration (see [Section 4.2.1](#));
- Limp Home:
  - we have to distinguish two different cases:
    - Boost Enabled with output voltage higher than 92.5% of final target value. In this case, buck converters are immediately operative according to DIN\_MAP register configuration;
    - Boost Disabled or Enabled with output voltage lower than 92.5 % of final target value. In this case, the buck converters are kept disabled for a specified time delay ( $t_{\text{DELAY}}$ ) independently from DINMAP status. Once this time elapses, bucks are operative according to DINMAP register configuration.

On the other hand, when boost and bucks are active and a VS undervoltage fault event occurs, buck converters are immediately disabled while the boost is kept alive for  $t_{\text{DELAY}}$  before being switched off.

## 3 Buck converters

### 3.1 General description

The L99LD21 features two independent buck converters with integrated switching mosfets with forward peak current as high as specified maximum  $I_{Lx\_PEAK}$  (where x indicates Buckx peak current) 1.695 A. They are optimized to deliver a constant current to LED strings.

The  $R_{DS\_ON}$  of the n-channel mosfets can be set programming the appropriate bit in the control register (see bits <3:2> on [Table 14: CR#1: Control Register 1](#)): high  $R_{DS\_ON}$  mode (only one half power stage enabled) or low  $R_{DS\_ON}$  mode (both half power stages enabled).

This feature allows having two different inductor peak current ranges, 0.179 A ÷ 0.849 A or 0.362 A ÷ 1.695 A, respectively for high  $R_{DS\_ON}$  and low  $R_{DS\_ON}$  mode, so achieving the highest of current sense accuracy in the whole current range.

The buck converters are based on constant off-time architecture, which regulates the peak current in each inductor. The monitoring of the inductor peak current is done through integrated senseFETs. This results in a lossless high side current sensing, which does not require any external shunt resistor, and improves the system efficiency.

This architecture provides an inherent cycle-by cycle current limitation and a fast transient response, without any compensation of the control loop.

The average LED current in each LED string is configurable by the SPI, through configuration of the inductor peak current and peak-to-peak current.

The dimming of the LED strings can be realized through the direct input pin (DIN) or through the internal 10-bit PWM dimming generator.

### 3.2 Bootstrap circuit

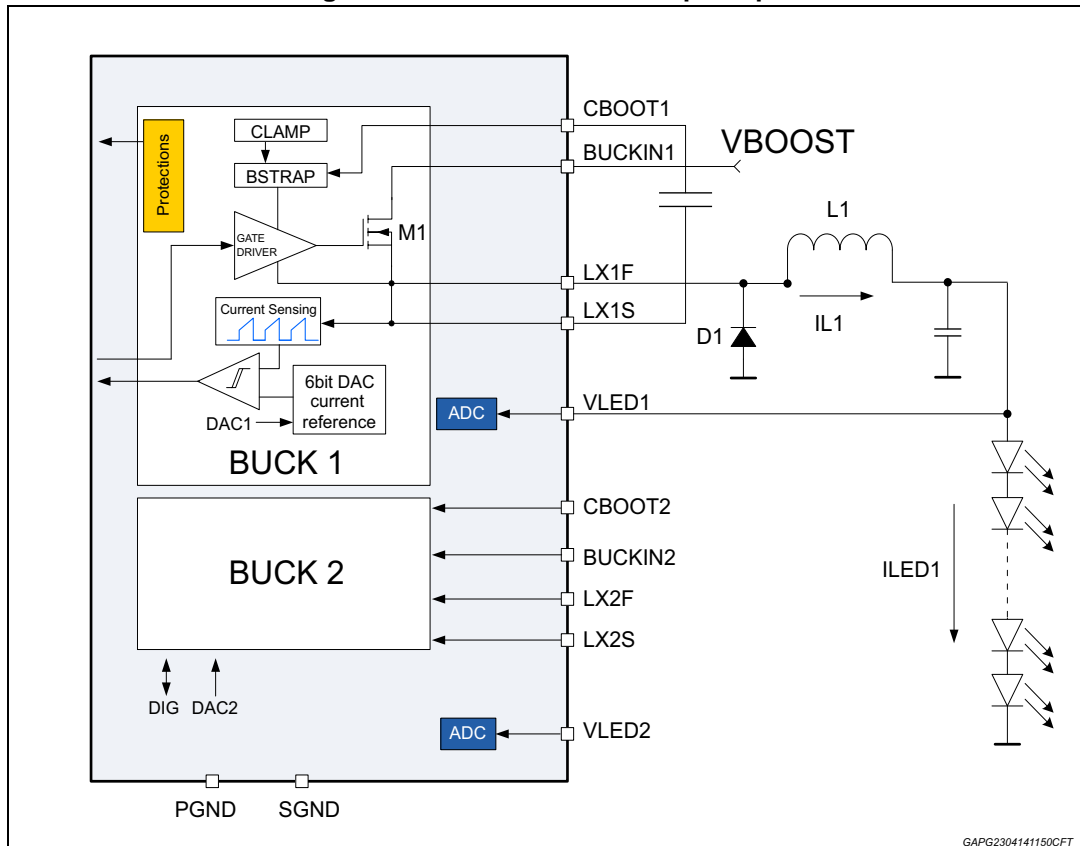
The L99LD21 has built-in high side n-channel switching mosfets, which are driven by gate drivers. Each gate driver uses a bootstrap circuit, consisting of an integrated diode and an external capacitor between the LX1S and CBOOT1 pins, respectively between the LX2S and CBOOT2 pins.

The buck converters impose a minimum off-time ( $T_{OFF\_MIN}$ ) to ensure that the bootstrap capacitor recharges every cycle to a voltage which avoids the switching mosfet to operate in linear mode.  $T_{OFF\_MIN}$  restricts the maximum duty cycle of the buck converters for a given switching frequency. This effect is more pronounced at high switching frequencies and limits the maximum ratio between the buck input voltage ( $V_{BOOST}$ ) and the LED strings' forward voltage. One way to overcome this limitation is reducing switching frequency, by selecting high constant  $V_{LED} \times T_{OFF}$  and/or increase the inductance value.

### 3.3 Peak and average current setting

In buck converters, the inductor is directly connected to the load during the complete switching cycle (see [Figure 7: Peak current control principle](#)). The average inductor current is equal to the average LED string current. Operating in continuous conduction mode (i.e. the inductor current never decays to zero during the off-phase), if the inductor current is tightly controlled, the LED current will be regulated as well.

Figure 7. Peak current control principle



At the beginning of a switching period the MOSFET M1 is turned on, and the inductor current  $I_{L1}$  increases. The mosfet is activated for a minimum on-time  $T_{ON\_MIN}$  in order to avoid that the on-phase is ended up by spurious noise, which is caused by the switch-on.

During mosfet activation, the inductor current,  $I_{L1}$ , increases until reaching a maximum value,  $I_{L1\_PEAK}$ , which is set through a dedicated control register (see bits <23:18> and bits <17:12> on [Table 15: CR#2: Control Register 2](#)). When  $I_{L1}$  reaches its peak value, the switching mosfet is turned off. The mosfet remains off for a time  $T_{OFF}$ , which is derived from the configured constant  $V_{LED1} \times T_{OFF1}$  (see bits <11:8> and bits <7:4> on [Table 15: CR#2: Control Register 2](#)), where  $V_{LED1}$  is the forward voltage of the LED string, which is connected at the output of the buck converter 1.

During  $T_{OFF}$ , the inductor current decreases by:

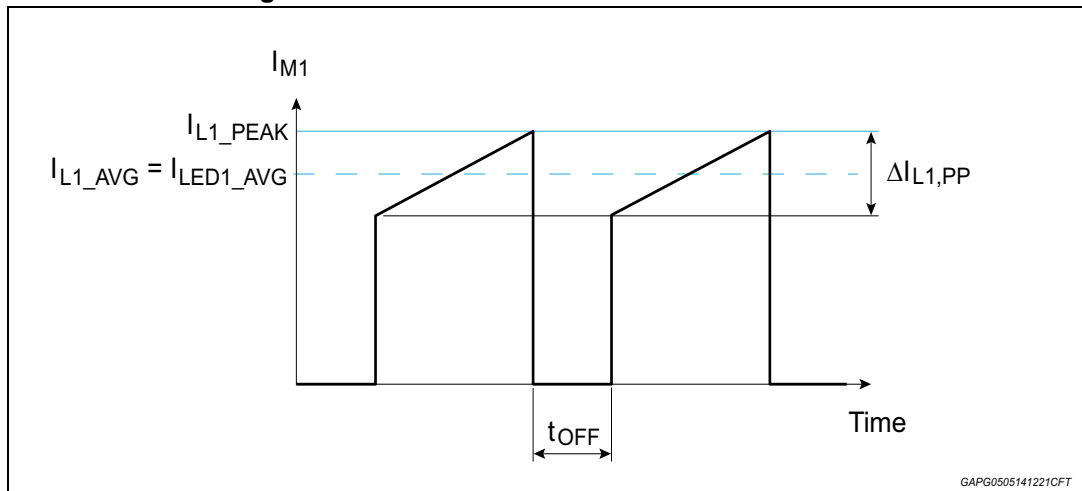
$$\Delta I_{L1\_PP} = \frac{(V_{LED1} - V_{F\_D1})}{L_1} \cdot T_{OFF1} \sim \frac{V_{LED1} \cdot T_{OFF1}}{L_1}$$

where  $\Delta I_{L1\_PP}$  is the inductor peak to peak current and  $V_{F\_D1}$  is the forward voltage of the diode D1. As D1 is a Schottky diode with a low forward voltage,  $V_{F\_D1}$  can be in general neglected, compared to  $V_{LED1}$ .

*Note:* Once the  $V_{LEDxTOFF}$  constant for a given buck converter is selected by SPI, the peak-to-peak inductor current ripple is constant. In particular, it depends neither on the boost voltage nor on the LED forward voltage.

The ripple current through the LED strings is reduced by means of an external capacitor in parallel with the LEDs.

**Figure 8. Inductor and mosfet current waveforms**



Referring to the [Figure 7](#) and [Figure 8](#) the average LED current - valid for both Buck 1 and Buck 2 - is therefore:

$$I_{LED1\_AVG} = I_{L1\_AVG} = I_{L1\_PEAK}^* - \frac{(\Delta I_{L1\_PP})}{2} = I_{L1\_PEAK}^* - \frac{(V_{LED} \cdot T_{OFF1})}{2L}$$

where  $I_{L1\_PEAK}^*$  results from  $I_{L1\_PEAK}$  (see [Table 40](#)) corrected with loop delay ( $t_{loop\_delay}$ )

In order to achieve the best accuracy versus input voltage variation during current sensing process, a defined buck input voltage window must be selected, by means of a dedicated control register (see bits <5:4> and bits <3:2> on [Table 16: CR#3: Control Register 3](#)).

### 3.4 Buck converter's blank time

The buck converters have a minimum on-time  $T_{BLANK\_BUCK}$ . Although the inductor's target peak current  $I_{LX\_PEAK}$  is reached before this time has elapsed, the switch is kept on. This delay is used as a leading-edge blank time, in order to avoid a premature end of the switching cycle, which might be caused by the noise, which results from the commutation of the buck's mosfet.

### 3.5 Buck converter's start-up

While the device and the system are protected against short circuit conditions of the buck's output to GND, the device inhibits the detection of the short circuit during the startup phase  $T_{STARTUP}$ .

A startup phase is applied in the following conditions:

- If one of the buck converters is activated for the first time after a power on reset (POR), including buck activation after device wake-up;
- If one of the buck converters has been deactivated for more than  $t_{DELAY}$ ;
- If one of the buck converters has been latched off prior to a Read and Clear command;
- If one of the buck converters is re-activated after a VS under voltage event.

After these events, it is possible that the output capacitors of the buck converters are completely discharged. The charging of the buck output capacitors might lead switching cycles with short on-time (shorter than  $T_{ON\_MIN}$ ), which could potentially lead to a wrong detection of a shorted buck output. The introduction of this start-up phase avoids this wrong diagnostic.

### 3.6 Switching frequency

For a given buck converter, the switching frequency depends on the buck input voltage (output of the boost controller) and the forward voltage of the LED string, which is connected to its output.

In continuous conduction mode,  $T_{OFF}$  is given by:

$$T_{OFF} = (1 - D) \cdot T = \frac{1 - D}{F_{SW}}$$

Where D is the buck converter's duty cycle, T and  $F_{SW}$  are respectively the switching period and frequency.

Neglecting the drop voltage across the mosfet, the inductor's DC resistance and the diode's forward voltage, compared to  $V_{BUCKIN}$  and  $V_{LED}$ , we have:

$$D = \frac{V_{LED}}{V_{BUCKIN}}$$

$$F_{SW} = \frac{1 - \frac{V_{LED}}{V_{BUCKIN}}}{T_{OFF}} = \frac{V_{LED} \cdot \left(1 - \frac{V_{LED}}{V_{BUCKIN}}\right)}{V_{LED} \cdot T_{OFF}}$$

For a given application (given inductance and  $V_{LED}$ ), it is possible to set  $I_{LEDX\_AVG}$  by selecting different combinations of  $I_{LX\_PEAK}$  and  $V_{LED} \cdot T_{OFF}$  in order to avoid critical frequency ranges such as the AM radio band.

To avoid buck operation at not allowed  $T_{ON}$  and/or  $T_{OFF}$  times, frequency range has to be kept inside  $F_{SWmin}$  and  $F_{SWmax}$ , where:

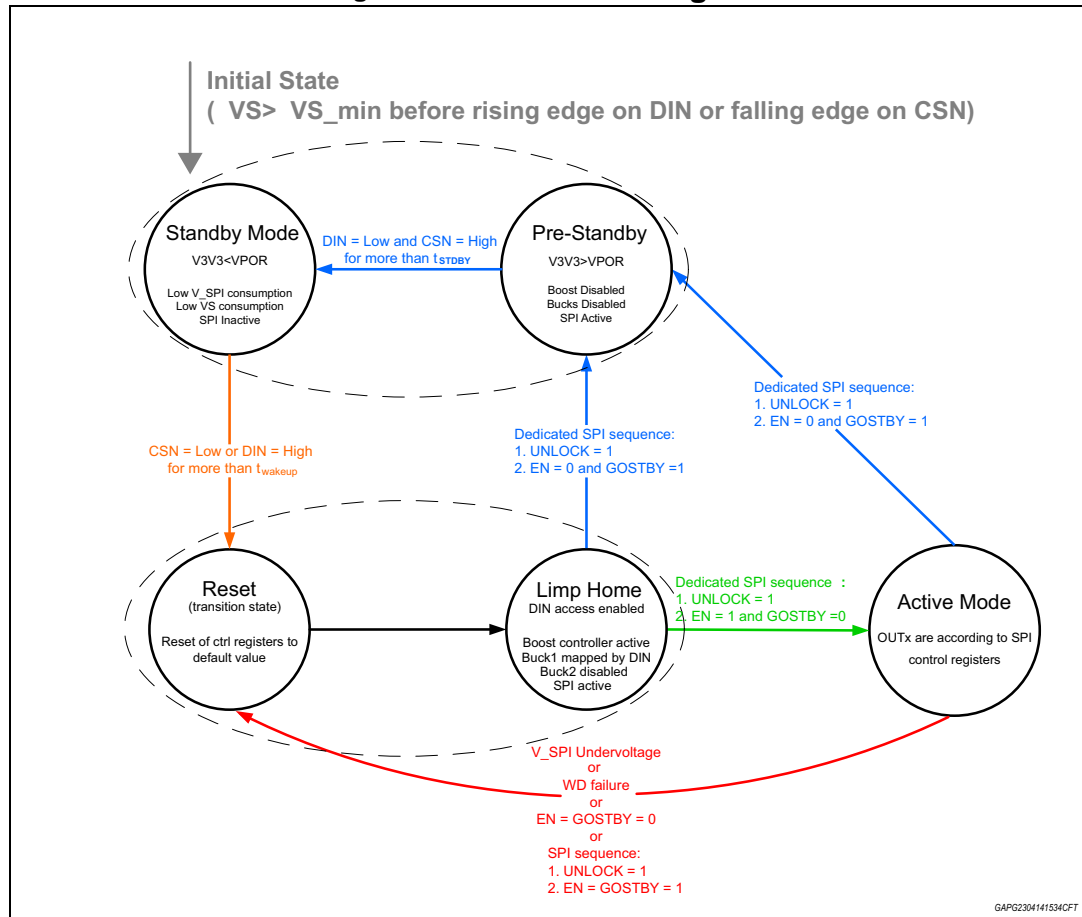
$$F_{SWmin} = 1/(T_{ON\_MAX\_BUCK} + T_{OFF\_MAX\_BUCK})$$

$$F_{SWmax} = 1/(T_{ON\_MIN\_BUCK} + T_{OFF\_MIN\_BUCK})$$

## 4 Functional description

### 4.1 Operating modes

Figure 9. Device state diagram



#### 4.1.1 Standby mode

The pre-requisite for this mode is:

- Device in Pre-Standby mode.

The device enters Standby mode under the following conditions:

- By default, once the device is powered ( $V_S$  present);
- CSN High and DIN Low for more than  $t_{STDBY}$

The Standby mode characteristics are:

- $V_{3V3} < V_{PDR}$
- $V_{SPI}$  and  $V_S$  low consumption
- SPI inactive

The device leaves this mode if:

- DIN High or CSN Low for a time  $t > t_{WAKEUP}$

*Note:*  $V_s$  must be stable above minimum value specified (5.5 V) before rising edge on DIN or falling edge on CSN.

#### 4.1.2 Pre-standby mode

The device enters Pre-standby mode under the following conditions:

- upon the two following consecutive SPI frames setting:
  - UNLOCK = 1
  - (EN, GOSTBY) = (0, 1)

The Pre-standby mode characteristics are:

- $V3V3 > VPOR$
- Boost disabled
- Bucks disabled
- SPI active

The device leaves automatically Pre-standby mode entering standby:

- if CSN High and DIN Low for a time  $t > t_{STDBY}$

#### 4.1.3 Reset mode

The device enters Reset mode under the following conditions:

- By default, once the device leaves Standby mode;
- If device state is Active mode, when one of the following events occur:
  - $V_{SPI}$  under voltage;
  - Watchdog failure
  - One SPI frame setting (EN,GOSTBY) = (0,0)
  - Two consecutive SPI frames setting
    - UNLOCK = 1
    - (EN,GOSTBY) = (1,1)

The Reset mode characteristics are:

- $V3V3 > VPOR$
- All the control and status registers set to their default values
- SPI inactive

The device leaves automatically Reset mode and enters Limp home after 400 ns (typical).

#### 4.1.4 Limp home

The device enters Limp Home automatically 400 ns after Reset mode.

Limp home characteristics are:

- Direct Input access enabled
- Boost active
- Buck1 according DIN
- Buck2 OFF
- SPI active:
  - All SPI write operations must be allowed without any effects on the device behavior.

When the device leaves this mode, it can enter Standby or Active mode.

If the microcontroller sends to the device the following SPI frames sequence:

- The first SPI frame sets UNLOCK bit = 1  
(see bit <1> on [Table 14: CR#1: Control Register 1](#))
- The second consecutive SPI frame sets GOSTBY bit = 1 and EN bit = 0  
(see bit <3> and bit <2> on [Table 15: CR#2: Control Register 2](#))

The device enters Standby mode.

If the microcontroller sends to the device the sequence of the following SPI frames:

- The first SPI frame sets UNLOCK bit = 1;  
(see bit <1> on [Table 14: CR#1: Control Register 1](#))
- The second consecutive SPI frame sets GOSTBY bit = 0 and EN bit = 1.  
(see bit <3> and bit <2> on [Table 15: CR#2: Control Register 2](#))

The device enters Active mode.

In Limp Home, after setting bit 27 on GSB (FE1, functional error bit), an auto restart procedure is implemented: every  $t_{\text{AUTORESTART}}$ , functional error bit eventually set is automatically cleared.

#### 4.1.5 Active mode

The device enters the Active mode if the microcontroller sends the following SPI frames sequence:

- In a first SPI frame set the UNLOCK bit to 1  
(see bit <1> on [Table 14: CR#1: Control Register 1](#))
- In a second frame, set EN bit to 1 and GOSTBY bit to "0"  
(see bit <2> and bit <3> on [Table 15: CR#2: Control Register 2](#))

**Table 3. Operating modes**

Operating mode	Entering conditions	Leaving condition	Characteristics
Standby mode	<ul style="list-style-type: none"> <li>– By default, once powered on (VS present);</li> <li>– SPI active and micro sending following consecutive frames: UNLOCK = 1 (EN,GOSTBY) = (0,1)</li> </ul>	DIN = High for $t_{\text{WAKEUP}}$ and/or CSN = Low for $t_{\text{WAKEUP}}$	<ul style="list-style-type: none"> <li>– <math>V_{3V3} &lt; V_{\text{POR}}</math>;</li> <li>– <math>V_{\text{S}}</math> and <math>V_{\text{SPI}}</math> low consumption;</li> <li>– SPI inactive</li> </ul>
Pre-standby mode	<ul style="list-style-type: none"> <li>– Under the following conditions: Two following consecutive SPI frames setting: UNLOCK = 1 (EN,GOSTBY) = (0,1)</li> </ul>	CSN High and DIN Low for a time $t > t_{\text{STDBY}}$	<ul style="list-style-type: none"> <li>– <math>V_{3V3} &gt; V_{\text{POR}}</math></li> <li>– Boost disabled</li> <li>– Bucks disabled</li> <li>– SPI active</li> </ul>

Table 3. Operating modes (continued)

Operating mode	Entering conditions	Leaving condition	Characteristics
Reset mode	<ul style="list-style-type: none"> <li>– By default, when device leaves Standby mode</li> <li>– Under following condition, when device is in Active mode:               <ul style="list-style-type: none"> <li>V<sub>SPI</sub> Under voltage</li> <li>WD failure;</li> <li>One SPI frame setting (EN,GOSTBY) = (0,0)</li> <li>Two consecutive SPI frames setting: UNLOCK = 1</li> <li>(EN,GOSTBY) = (1,1)</li> </ul> </li> </ul>	Automatic transition after 400 ns	<ul style="list-style-type: none"> <li>– All registers reset to default values</li> <li>– V3V3&gt;VPOR</li> <li>– SPI inactive</li> </ul>
Limp Home	400 ns after Reset mode	<ul style="list-style-type: none"> <li>– SPI sequence to enter Active mode:               <ul style="list-style-type: none"> <li>UNLOCK = 1</li> <li>(EN,GOSTBY) = (1,0)</li> </ul> </li> <li>– SPI sequence to enter Standby mode:               <ul style="list-style-type: none"> <li>UNLOCK = 1</li> <li>(EN,GOSTBY) = (0,1)</li> </ul> </li> </ul>	<ul style="list-style-type: none"> <li>– Boost controller is active</li> <li>– DIN access enabled: Buck1 is according to DIN; Buck2 is OFF</li> <li>– SPI active</li> </ul>
Active mode	SPI sequence: <ul style="list-style-type: none"> <li>– UNLOCK = 1</li> <li>– EN = 1 and GOSTBY = 0</li> </ul>	<ul style="list-style-type: none"> <li>– V<sub>SPI</sub> undervoltage</li> <li>– WD failure</li> <li>– SPI sequence to enter Standby mode:               <ul style="list-style-type: none"> <li>UNLOCK = 1</li> <li>(EN,GOSTBY) = (0,1)</li> </ul> </li> </ul>	<ul style="list-style-type: none"> <li>– Boost controller is active</li> <li>– Buck converters are active</li> <li>– SPI is active</li> </ul>

## 4.2 Programmable functions

### 4.2.1 Activation of the buck output

In Active mode, the activation of the Buck converters is performed according to the configuration of control register CR#3<15:14> for Buck1 and CR#3<13:12> for Buck2, as showed in the following table. See [Table 16: CR#3: Control Register 3](#).

Table 4. DIN pin Map for Buck1 and Buck2

CR#3<15> or CR#3<13>	CR#3<14> or CR#3<12>	Buck1 and Buck2 status
0	0	Buckx always OFF (default for Buck2)
0	1	Buckx attached to internal PWM generator
1	0	Buckx always ON
1	1	Buckx controlled by DIN Input (default for Buck1)

### 4.2.2 PWM dimming

The device allows modifying the brightness of the LEDs string simply managing the average current.

The PWM dimming could be achieved in two different ways:

- Through direct input, DIN
- With integrated PWM generator

### Dimming with direct input

The signal applies to buck1, buck2 or both, depending on DIN mapping bit configuration (see bits <15:14> and bits <13:12> on [Table 16: CR#3: Control Register 3](#)). If the control registers are configured accordingly, one (or both) buck converter(s) are activated and directly controlled by DIN pin.

The default configuration is set in order to allow direct driving only for buck1, whilst buck2 is turned off. In case of limp home function, the default conditions are applied.

PWM control through DIN has to take into account the DIN filter time ( $t_{DIN\_FT}$ , 32  $\mu$ s typical) on rising edge to properly set the desired duty cycle.

### Dimming with integrated PWM generator

This function allows modifying the average current on the LEDs by means of a dedicated control register (see bits <23:14> and bits <13:4> on [Table 14: CR#1: Control Register 1](#)).

This function must be activated setting the right mapping bits configuration inside the control register 3, and in particular, CR#3<15:14> for Buck1 and CR#3<13:12> for Buck2.

To set duty cycle, a 10-bit number must be written in the corresponding register, resulting in a 1024 steps of resolution. The duty cycle is determined through the following equation:

$$DC_{\%} = \frac{N}{1024} \cdot 100$$

Where N is the 10-bit number.

The PWM frequency is depending on the PWM\_CLK input signal with the following equation:

$$PWM\_LF = \frac{PWM\_CLK}{1024}$$

Where PWM\_LF is the LEDs dimming frequency.

If PWM signal fails, an error bit is reported in the STATUS register where PWMCLK fail is located. An internal fallback oscillator is enabled in order to provide a fixed PWM frequency clock signal ( $F_{FALLBACK\_CLK}$ ), whilst no changes is applied on the duty cycle.

Once the external PWM is available again and after a read & clear operation on Status Register 2, the internal clock is disabled and PWM operation continues with the external clock (see [Figure 14](#)).

## 4.3 Protections

### 4.3.1 Temperature warning

The device integrates a temperature warning with two thresholds  $TW_1$  and  $TW_2$  in each buck's mosfet. If the  $T_j$  of the buck mosfet1 or buck mosfet2 rises above  $TW_1$  or  $TW_2$ , the status bit  $TW_{xy}$  is set ( $x = 1$  or  $x = 2$ , it stands for the buck1 or buck2,  $y = 1$  or  $y = 2$ , it stands for the  $TW_1$  or  $TW_2$ ).  $TW_{XY}$  bit is set on the status registers: SR#1<4:3> for Buck1

and SR#2<22:21> for Buck2. Thermal warning is also reported in the Global Status Byte register, and in particular, bit 25 (GW) is set.

If the  $T_j$  drops below the temperature warning reset threshold 1 ( $TW_1 - TW_{1\_HYS}$ ), respectively  $TW_2 - TW_{2\_HYS}$ , the corresponding status bit is automatically reset.

As long as the  $T_j$  does not exceed the over temperature shutdown, the device does not latch off the buck mosfets, even if a temperature warning is detected.

### 4.3.2 Overtemperature shutdown

If the junction temperature of one of the buck mosfets rises above the shutdown temperature  $T_{TSD}$ , an overtemperature event (OVT) is detected. The channel is switched off and the corresponding bit (OVT1 or OVT2) is set in the status register SR#1<5> for Buck1 and SR#2<23> for Buck2.

Overtemperature events are also reported in the Global Status Byte register and in particular bit 27 FE1 is set.

In normal mode the corresponding buck converter is latched off, until the following conditions are fulfilled:

1.  $T_{JX}$  drops below the thermal shutdown reset threshold  $T_{TSD} - T_{TSD\_HYS}$ .
2. Subsequently the microcontroller sends a read and clear command, in order to reset OVT1 or OVT2 bit located in the Status register SR#1<5> or SR#2<23>.

In fail safe mode (Limp Home), the device applies an auto restart of the fault buck converter with a period equal to  $t_{AUTORESTART}$ , provided that the  $T_{JX}$  falls below TSD reset threshold ( $T_{TSD} - T_{TSD\_HYS}$ ).

### 4.3.3 VS under voltage lockout

If the VS supply falls below  $V_{S\_UV}$  (VS under voltage threshold), the boost controller and the buck converters will be deactivated, regardless of the SPI control registers or DIN.

This feature is implemented, in order to avoid an operation of the external mosfet of the boost controller in linear mode, due to a too low gate driver supply.

### 4.3.4 Buck $T_{ON}$ minimum operation

Buck minimum on time operation is detected when the corresponding failure counter counts  $N_{Ton\_min\_fail}$  switching cycles (also nonconsecutive), during which  $I_{LX\_PEAK}$  is reached between  $T_{BLANK\_BUCK}$  and  $T_{ON\_MIN\_BUCK}$ . In normal mode (Active mode), once minimum  $T_{ON}$  operation is validated, flag  $T_{ON\_MIN\_OPx}$  is set and the corresponding Buckx converter is latched off, until the microcontroller sends a frame and clears the corresponding status bit (SR#1<2> and SR#1<1>).

In fail safe mode (Limp Home), once a minimum  $T_{ON}$  violation is validated, the corresponding buck converter is latched off until automatically cleared by an auto-restart procedure, with a period equal to  $t_{AUTORESTART}$ .

The failure counter is not incremented during the startup phase ( $T_{STARTUP}$ ). The failure counter is reset if  $N_{ton\_min\_fail\_reset}$  consecutive pulses are detected with  $T_{ON}$  longer than  $T_{ON\_MIN\_BUCK}$ .

### 4.3.5 Buck output's short circuit to GND

A shorted buck output to GND is detected when LED string voltage ( $V_{LED}$ ) is lower than a specified threshold ( $V_{LED\_SHT}$ ) and the corresponding failure counter counts  $N_{ton\_min\_fail}$  switching cycles (also nonconsecutive), during which  $I_{LX\_PEAK}$  is reached between  $T_{BLANK\_BUCK}$  and  $T_{ON\_MIN\_BUCK}$ . In normal mode (Active mode), once a short circuit is validated, flag  $SHTx$  is set and the corresponding Buckx converter is latched off, until the microcontroller sends a frame and clears the corresponding status bit ( $SR\#1<7>$  and  $SR\#1<6>$ ).

In fail safe mode (Limp Home), once a short circuit is validated, the corresponding buck converter is latched off until automatically cleared by an auto-restart procedure, with a period equal to  $t_{AUTORESTART}$ .

The failure counter is not incremented during the startup phase. The failure counter is reset if  $N_{ton\_min\_fail\_reset}$  consecutive pulses are detected with  $T_{ON}$  longer than  $T_{ON\_MIN\_BUCK}$ .

### 4.3.6 Buck $T_{ON}$ maximum operation

Buck maximum on time operation is detected when switching on time is equal to  $t_{ON\_MAX\_BUCK}$  for two consecutive cycles.

Once maximum  $T_{on}$  operation is validated, flag  $TON\_MAX\_OPx$  is set and the corresponding Buckx converter is temporarily switched off for a  $T_{tonmax\_off}$ .

Then, Buckx is enabled to switch on again while  $TON\_MAX\_OPx$  bit will be latched until a R&C command clears corresponding status bit ( $SR\#2<20>$  or  $SR\#2<19>$ ).

In fail safe mode (Limp Home), once a maximum  $T_{ON}$  violation is validated, the corresponding buck converter is latched off until automatically cleared by an auto-restart procedure, with a period equal to  $t_{AUTORESTART}$ .

### 4.3.7 Buck Open Load detection

If one of the LED strings is disconnected, the converter will charge the output capacitor of the buck converter by regulating the peak current of the switch, until  $V_{LED}$  is equal to the buck input voltage. From this point, since the output capacitor is charged at the maximum possible value, it cannot absorb any current despite the activation of the switch, and the target  $I_{LX\_PEAK}$  cannot be reached.

Upon these conditions, Buckx starts switching at maximum  $T_{on}$ : maximum  $T_{on}$  operation detection (described in [Section 4.3.6](#)) guarantees Open Load failure protection as well.

## 5 SPI functional description

### 5.1 SPI protocol

ST-SPI is a standard used in ST automotive ASSP devices. SPI protocol standardization here described defines a common structure of the communication frames and defines specific addresses for product and status information.

The ST-SPI will allow usage of generic software to operate the devices while maintaining the required flexibility to adapt it to the individual functionality of a particular product. In addition to that, fail safe mechanisms are implemented to protect the communication from external influence and wrong or unwanted usage.

### 5.2 SPI communication

At the beginning of each communication the master can read the content of the <SPI Mode> register (ROM address 10h) of the slave device. This 8 bit register indicates the SPI frame length (32 bit) and the availability of additional features.

Each communication frame consists of a command byte which is followed by 3 data bytes.

The data returned on SDO within the same frame always starts with the <Global Status Byte>. It provides general status information about the device. It is followed by 3 data bytes (i.e. "in-frame-response").

For write cycles the <Global Status Byte> is followed by the previous content of the addressed register.

**Table 5. Command byte (8 bit)**

	Operating code		Address					
Bit	31	30	29	28	27	26	25	24
Name	OC1	OC0	A5	A4	A3	A2	A1	A0

**Table 6. Data byte 2**

	Data byte 2							
Bit	23	22	21	20	19	18	17	16
Name	D23	D22	D21	D20	D19	D18	D17	D16

**Table 7. Data byte 1**

	Data byte 1							
Bit	15	14	13	12	11	10	9	8
Name	D15	D14	D13	D12	D11	D10	D9	D8

Table 8. Data byte 0

	Data byte 0							
Bit	7	6	5	4	3	2	1	0
Name	D7	D6	D5	D4	D3	D2	D1	D0

Where:

OCx: Operation Code

Ax : Address

Dx: Data bit

### Command Byte

Each communication frame starts with a command byte. It consists of an operating code which specifies the type of operation (<Read>, <Write>, <Read and Clear>, <Read Device Information>) and a 6 bit address.

Table 9. Operation code definition

OC1	OC0	Meaning
0	0	<Write Mode>
0	1	<Read Mode>
1	0	<Read and Clear Mode>
1	1	<Read Device Information>

The <Write Mode> and <Read Mode> operations allow access to the RAM of the device.

A <Read and Clear Mode> operation is used to read a status register and subsequently clears its content.

The <Read Device Information> allows access to the ROM area which contains device related information.

### Global Status Byte

According to the ST SPI 4.1 standard, the first byte on the SDO pad during each command reports the global status of the chip:

Table 10. Global Status Byte

	Global Status Byte							
Bit	31	30	29	28	27	26	25	24
Name	GSDN	RSTB	SPIE	FE2	FE1	DE	GW	FS

Table 11. Global Status Byte description

Bit	Name	Description
31	GSBN	Global Status Bit Not This bit is a NOR combination of the remaining bits of this register: RSTB nor SPIE nor FE2 nor FE1 nor DE nor GW nor FS
30	RSTB	Reset Bit The RSTB indicates a device reset. In case this bit is set, all internal <i>Control Registers</i> are set to default and kept in that state until the bit is automatically cleared by any valid SPI communication.
29	SPIE	SPI Error The SPIE is a logical OR combination of errors related to a wrong SPI communication (SDI stuck, wrong number of clock, parity check error)
28	FE2	Functional Error 2 (logic OR combination of errors which does not cause parts of the device to be disabled) TOFF1_MAX or TOFF2_MAX or TOFF1_MIN or TOFF2_MIN or TON_MAX_OP1 or TON_MAX_OP2
27	FE1	Functional Error 1 (logic OR combination of critical errors which cause parts of the device to be disabled) VS_UV or OL1 or OL2 or OVT1 or OVT2 or SHT1 or SHT2 or TON_MIN_OP1 or TON_MIN_OP2 or BST_FB_FAIL
26	DE	Device error PWMCLK_FAIL or N_PWR_GOOD or BST_OVP
25	GW	Global warning TW11 or TW12 or TW21 or TW22
24	FS	Fail safe If this bit is set, the device is in limp home mode

### 5.3 Address mapping

Table 12. RAM memory map

Address	Name	Access	Content
01h	Control Register 1	R/W	CR#1: 1 <sup>st</sup> Control Register
02h	Control Register 2	R/W	CR#2: 2 <sup>nd</sup> Control Register
03h	Control Register 3	R/W	CR#3: 3 <sup>rd</sup> Control Register
04h	Control Register 4	R/W	CR#4: 4 <sup>th</sup> Control Register
05h	Status Register 1	R/C	SR#1: 1 <sup>st</sup> Status Register
06h	Status Register 2	R/C	SR#2: 2 <sup>nd</sup> Status Register
07h	Status Register 3	R/C	SR#3: 3 <sup>rd</sup> Status Register

Table 12. RAM memory map (continued)

Address	Name	Access	Content
3Eh	Customer Trimming Register	R/W (W only when EOT bit = 0)	CT: Customer Trimming Register
3Fh	Advanced Operation Code	Clear	A R&C operation to this address causes all status registers to be cleared

Table 13. ROM memory map

Address	Name	Access	Content	Comments
00h	Company Code	R	00h	STMicroelectronics
01h	Device family	R	02h	LED product family
02h	Device number 1	R	55h	'U' in ASCII
03h	Device number 2	R	41h	'A' in ASCII
04h	Device number 3	R	52h	'R' in ASCII
05h	Device number 4	R	07h	'7' in hex
0Ah	Silicon version	R	04h	Fifth version
10h	SPI Mode	R	31h	Bit7 = 0, burst read is disabled SPI data length = 32 bits Bit6, DL2 = 0 Bit5, DL1 = 1 Bit4, DL0 = 1 Bit3, SPI8 = 0: 8 bit frame option not available Bit2 = 0 Parity check is used Bit1, S1 = 0 Bit0, S0 = 1
11h	WD Type 1	R	4Ah	A WD is implemented Bit7, WD1 = 0 Bit6, WD0 = 1 WD period 50 ms = 10 * 5 ms -> WT[5:0] = 0xA Bit5, WT5 = 0 Bit4, WT4 = 0 Bit3, WT3 = 1 Bit2, WT2 = 0 Bit1, WT1 = 1 Bit0, WT0 = 0
13h	WD bit pos. 1	R	44h	Bit7, WB1 = 0 Bit6, WB2 = 1 WBA[5-0], Bit[5-0] = address of the configuration register, where the WD bit is located = 04d = 000100b

Table 13. ROM memory map (continued)

Address	Name	Access	Content	Comments
14h	WD bit pos. 2	R	D7h	Bit7, WB1 = 1 Bit6, WB0 = 1 Bit position of the WD bit within the corresponding configuration register = 23d = 010111b
20h	SPI CPHA Test	R	55h	Predefined by ST - SPI , it is used to verify that the SCK Phase of the SPI master is set correctly
3Eh	GSB Options	R	00h	All bits of GSB are used
3Fh	Advanced Operation Code	R	00h	Access to this address provokes a SW reset (all control registers are set to their default values; in addition, all status registers are cleared too). Data field should not be all ones, otherwise an SDI stuck occurs

## 5.4 Registers description

### 5.4.1 Control Register description

#### CR#1: Control Register 1

23	22	21	20	19	18	17	16	15	14	13	12	11	10	9	8	7	6	5	4	3	2	1	0		
DUTY1											DUTY2											HLEDCUR1	HLEDCUR2	UNLOCK	Parity bit

Address: 0x01h

Type: R/W

Table 14. CR#1: Control Register 1

Bit	Default	Name	Description
23÷14	100000000	DUTY1	10 bit PWM duty cycle selection for Buck1 (from 0 to hex 3FF) Default 50%
13÷4	100000000	DUTY2	10 bit PWM duty cycle selection for Buck2 (from 0 to hex 3FF) Default 50%
3	Set by OTP (DEF_HLEDCUR)	HLEDCUR1	[1]: High LED current configuration selected for Buck1 (Low RON, both half power stages enabled) [0]: Low LED current configuration selected for Buck1 (High RON, only one half power stage enabled)
2		HLEDCUR2	[1]: High LED current configuration selected for Buck2 (Low RON, both half power stages enabled) [0]: Low LED current configuration selected for Buck2 (High RON, only one half power stage enabled)

Table 14. CR#1: Control Register 1 (continued)

Bit	Default	Name	Description
1	0	UNLOCK	[0]: bits GOSTBY, EN and BST_DIS cannot be set to 1 [1]: bits GOSTBY, EN and BST_DIS can be set to 1 with the next SPI frame If UNLOCK = 1, then it is always automatically reset with the next valid SPI frame
0		Parity bit	ODD parity bit check

## CR#2: Control Register 2

23	22	21	20	19	18	17	16	15	14	13	12	11	10	9	8	7	6	5	4	3	2	1	0
IL1_PEAK						IL2_PEAK						VLED_TOFF1				VLED_TOFF2				GOSTBY	EN	MS	Parity bit

Address: 0x02h

Type: R/W

Table 15. CR#2: Control Register 2

Bit	Default	Name	Description
23÷18	Set by OTP (see <a href="#">Table 29</a> )	IL1_PEAK	Inductor Peak Current selection bits for Buck1
17÷12	100000	IL2_PEAK	Inductor Peak Current selection bits for Buck2
11÷8	Set by OTP (see <a href="#">Table 30</a> )	VLED_TOFF1	Constant VLEDxTOFF Selection bits for Buck1: 0000: 10 V*µs; 1111: 72 V*µs; see <a href="#">Table 18</a>
7÷4	1111	VLED_TOFF2	Constant VLEDxTOFF Selection bits for Buck2: 0000: 10 V*µs; 1111: 72 V*µs; see <a href="#">Table 18</a>
3	0	GOSTBY	Standby Mode Bit: 0: Device waked up 1: Standby (if EN = 0) GOSTBY can be set to 1 only if UNLOCK = 1; in other words, trying to set this bit to 1 when UNLOCK = 0 will have no effects and it will maintain its previous value. GOSTBY can be reset to 0 also when UNLOCK = 0. To set Standby mode it is necessary to send two consecutive SPI frames, as follows: 1 <sup>st</sup> SPI write operation to set UNLOCK bit to 1 (CR#1, bit1) 2 <sup>nd</sup> SPI write operation to set GOSTBY bit to 1 and EN bit to 0

Table 15. CR#2: Control Register 2 (continued)

Bit	Default	Name	Description
2	0	EN	<p>Active mode Enable Bit:</p> <p>0: Device stays in Limp Home (if GOSTBY = 0). This status is assumed immediately after a wake up (CSN low or DIN High for a time &gt; <math>t_{WAKE\_UP}</math>)</p> <p>1: Device Enabled for Active mode operation (if GOSTBY = 0).</p> <p>EN can be set to 1 only if UNLOCK = 1; in other words, trying to set this bit to 1 when UNLOCK = 0 will have no effects and it will maintain its previous value.</p> <p>EN can be reset to 0 also when UNLOCK = 0.</p> <p>To set Active mode it is necessary to send two consecutive SPI frames as follows:</p> <p>1<sup>st</sup> SPI write operation to set UNLOCK bit to 1 (CR#1, bit1)</p> <p>2<sup>nd</sup> SPI write operation to set GOSTBY bit to 0 and EN bit to 1</p>
1	Set by OTP (DEF_MS)	MS	<p>Master/Slave bit</p> <p>0: Device is Master (pin SYNC_IO is an output, providing a 180° phase shifted replica of internal Boost clock)</p> <p>1: Device is Slave (pin SYNC_IO is an input and it is used as a clock for the Boost)</p>
0		Parity bit	ODD parity bit check

## CR#3: Control Register 3

23	22	21	20	19	18	17	16	15	14	13	12	11	10	9	8	7	6	5	4	3	2	1	0
PH1				PH2				DIN_MAP1	DIN_MAP2	BST_REF	BST_FREQ			PWM_SYNC	B_IN_W1	B_IN_W2	BST_DIS	Parity bit					

Address: 0x03h

Type: R/W

Table 16. CR#3: Control Register 3

Bit	Default	Name	Description
23÷20	0000	PH1	4 bit phase selection for Buck1: Phase shift = PH1 * 360 / 16
19÷16	0000	PH2	4 bit phase selection for Buck2: Phase shift = PH1 * 360 / 16
15÷14	11	DIN_MAP1	Buck1 DIN map (see <a href="#">Table 19</a> )
13÷12	00	DIN_MAP2	Buck2 DIN map (see <a href="#">Table 19</a> )
11÷10	11	BST_REF	Boost Reference Voltage <sup>(1)</sup> 11: VFB_REF[11] 10: VFB_REF[10] 01: VFB_REF[01] 00: VFB_REF[00]

Table 16. CR#3: Control Register 3 (continued)

Bit	Default	Name	Description
9÷7	011	BST_FREQ	Boost Frequency Clock selection bits (see <a href="#">Table 20</a> )
6	0	PWM_SYNC	PWMSYNC: 0: PWM Counter not reset; 1: PWM Counter Reset (note that this bit is automatically reset after counter reset)
5÷4	00	B_IN_W1	Buck Input Voltage Window for Buck1 (see <a href="#">Table 21</a> )
3÷2	00	B_IN_W2	Buck Input Voltage Window for Buck2 (see <a href="#">Table 21</a> )
1	Set by OTP (DEF_BSTDIS)	BST_DIS	BST_DIS can be set to 1 only if UNLOCK = 1; in other words, if the $\mu$ C tries to set this bit to 1 when UNLOCK = 0 it maintains its previous value. BST_DIS can be reset to 0 also when UNLOCK = 0 0: Boost enabled 1: Boost disabled: For disabling the boost It is necessary to send two distinct SPI frame as follows: 1 <sup>st</sup> SPI Register write: set UNLOCK bit to 1 2 <sup>nd</sup> SPI Register write: set BST_DIS to 1
0		Parity bit	ODD parity bit check

1. See [Table 2](#).

#### CR#4: Control Register 4

23	22	21	20	19	18	17	16	15	14	13	12	11	10	9	8	7	6	5	4	3	2	1	0
WD_TRIG	Reserved		Unused																				Parity bit

**Address:** 0x04h

**Type:** R/W

Table 17. CR#4: Control Register 4

Bit	Default	Name	Description
23	0	WD_TRIG	In order to keep device in Active mode, this bit must be cyclically toggled within a period equal to $t_{WD}$ to refresh the watchdog.
22÷21	00	Reserved	Note: when writing on this register, bit 21 and 22 must be set to 00
20÷1		Unused	
0		Parity bit	ODD parity bit check

Table 18. Constant VLED x TOFF selection

VLED_TOFF	Constant VLED x TOFF [V x $\mu$ s]
0000	10
0001	12
0010	14
0011	16
0100	18
0101	20
0110	22
0111	24
1000	28
1001	32
1010	36
1011	40
1100	48
1101	56
1110	64
1111	72

Table 19. DIN map table for Buck Cell X

DIN_MAP X	Status of Buck Cell X
00	Always OFF
01	PWM dimming
10	Always ON
11	Controlled by DIN

Table 20. Boost clock selection

BST_FREQ	Boost clock [kHz]
000	100
001	151.5
010	200
011	250
100	303
101	357
110	400
111	454.5

Table 21. Buck input voltage window

B_IN_W	Buck In voltage range [V]
00	10÷25
01	25÷40
10	40÷50
11	50÷60

## 5.4.2 Status Register description

### SR#1: Status Register 1

23	22	21	20	19	18	17	16	15	14	13	12	11	10	9	8	7	6	5	4	3	2	1	0
VLED1,ON								VLED2,ON								SHT1	SHT2	OVT1	TW12	TW11	TON_MIN_OP1	TON_MIN_OP2	Parity bit
R/C																	R		R/C				

**Address:** 0x05h

**Type:** R, R/C

**Table 22. SR#1: Status Register 1**

Bit	Default	Name	Description	Access
23÷16	00000000	VLED1,ON	ADC conversion related to VLED1 (ranging from 0 V to 52.5 V), sampled during on time of Buck1. Note that in case of Buck1 controlled by DIN pin or by SPI, the ADC is continuously refreshed during on-state, while, if controlled by internal PWM dimming generator, ADC refresh occurs only once per period just before the end of each PWM on-cycle.	R/C
15÷8	00000000	VLED2,ON	ADC conversion related to VLED2 (ranging from 0 V to 52.5V), sampled during on time of Buck2. Note that in case of Buck2 controlled by DIN pin or by SPI, the ADC is continuously refreshed during on-state, while, if controlled by internal PWM dimming generator, ADC refresh occurs only once per period just before the end of each PWM on-cycle.	R/C
7	0	SHT1	VLED1 short circuit detection. This bit is set when TON_MIN_OP1 is set too but only if, at the same instant, average VLED1 voltage is lower than 1.5V. When SHT1 = 1, Buck1 is disabled until a read and clear command of this bit has been acknowledged. In LHM, an auto restart procedure cyclically clears this bit with a period equal to $t_{\text{AUTORESTART}}$	R/C
6	0	SHT2	VLED2 short circuit detection. This bit is set when TON_MIN_OP2 is set too but only if, at the same instant, average VLED2 voltage is lower than 1.5V. When SHT2 = 1, Buck2 is disabled until a read and clear command of this bit has been acknowledged.	R/C

Table 22. SR#1: Status Register 1 (continued)

Bit	Default	Name	Description	Access
5	0	OVT1	<p>Overtemperature for Buck1 (set when <math>T_j \geq T_{TSD}</math> for more than <math>t_{OVT}</math>); If this bit is set:</p> <ul style="list-style-type: none"> <li>– in Active mode: Buck1 is latched OFF; reset is performed by a R&amp;C command, which will be successful only if <math>T_j &lt; T_{TSD} - T_{TSD\_HYS}</math> (typ 140 °C). Then Buck1 is allowed to turn on again.</li> <li>– in LHM, after setting an OVT1, an auto restart procedure is implemented: every <math>t_{AUTORESTART}</math> OVT1 bit is automatically cleared and, if <math>T_j &lt; T_{TSD} - T_{TSD\_HYS}</math>, then Buck1 is allowed to turn on again, otherwise OVT1 bit is set again.</li> </ul>	R/C
4	0	TW12	<p>Thermal warning 2 for Buck1. This bit is set if <math>T_j \geq TW_2</math>. This is a read only and real time bit. When Buck1 temperature decreases under a second threshold (<math>T_j &lt; TW_2 - TW_2\_HYS</math>), this bit is cleared.</p>	R
3	0	TW11	<p>Thermal warning 1 for Buck1. This bit is set if <math>T_j \geq TW_1</math>. This is a read only and real time bit. When Buck1 temperature decreases under a second threshold (<math>TW_1 - TW_1\_HYS</math>), this bit is cleared.</p>	R
2	0	TON_MIN_OP1	<p>Operation at minimum on-time for Buck1. This bit is set when Buck1 runs at an on-time shorter than <math>t_{ON\_MIN\_BUCK}</math> for more than 32 (even not consecutive) cycles. When TON_MIN_OP1 = 1, Buck1 is disabled until a read and clear command of this bit has been acknowledged. In LHM, an auto restart procedure cyclically clears this bit with a period equal to <math>t_{AUTORESTART}</math>.</p>	R/C
1	0	TON_MIN_OP2	<p>Operation at minimum on-time for Buck2. This bit is set when Buck2 runs at an on-time shorter than <math>t_{ON\_MIN\_BUCK}</math> for more than 32 (even not consecutive) cycles. When TON_MIN_OP2 = 1, Buck2 is disabled until a read and clear command of this bit has been acknowledged.</p>	R/C
0		Parity Bit	ODD parity bit check	

**SR#2: Status Register 2**

23	22	21	20	19	18	17	16	15	14	13	12	11	10	9	8	7	6	5	4	3	2	1	0
OVT2	TW22	TW21	TON_MAX_OP1	TON_MAX_OP2	PWMCLK_FAIL	VSPIL_FAIL	WD_STATUS	WD_FAIL	VS_UV	TOFF_MIN1	TOFF_MIN2	TOFF_MAX1	TOFF_MAX2	N_PWR_GOOD	BST_OVP	BST_FB_FAIL	DIN_ST	Unused					Parity bit
R/C	R		R/C			R		R/C					R				R/C	R					

**Address:** 0x06h**Type:** R, R/C**Table 23. SR#2: Status Register 2**

Bit	Default	Name	Description	Access
23	0	OVT2	Overtemperature for Buck2 (set when $T_j \geq T_{TSD}$ for more than $t_{OVT}$ ); if this bit is set Buck2 is latched OFF; reset is performed by a R&C command, which will be successful only if $T_j < T_{TSD} - T_{TSD\_HYS}$ . Then Buck2 is allowed to turn on again.	R/C
22	0	TW22	Thermal warning 2 for Buck2. This bit is set if $T_j \geq TW_2$ . This is a read only and real time bit. When Buck2 temperature decreases under a second threshold ( $T_j < TW_2 - TW_2\_HYS$ ), this bit is cleared.	R
21	0	TW21	Thermal warning 1 for Buck2. This bit is set if $T_j \geq TW_1$ . This is a read only and real time bit. When Buck2 temperature decreases under a second threshold ( $TW_1 - TW_1\_HYS$ ), this bit is cleared.	R
20	0	TON_MAX_OP1	Operation at maximum on-time for Buck1. This bit is set when Buck1 runs at an on-time equal to $t_{ON\_MAX\_BUCK}$ for two consecutive cycles. Every time this event occurs, Buck1 is temporarily switched off for a $t_{TON\_MAX\_OFF}$ time, then is enabled to switch on again. Instead, TON_MAX_OP1 bit will be latched until a R&C. In LHM, an auto restart procedure cyclically clears this bit with a period equal to $t_{AUTORESTART}$ .	R/C
19	0	TON_MAX_OP2	Operation at maximum on-time for Buck2. This bit is set when Buck2 runs at an on-time equal to $t_{ON\_MAX\_BUCK}$ for two consecutive cycles. Every time this event occurs, Buck2 is temporarily switched off for a $t_{TON\_MAX\_OFF}$ time, then is enabled to switch on again. Instead, TON_MAX_OP2 bit will be latched until a R&C.	R/C

Table 23. SR#2: Status Register 2 (continued)

Bit	Default	Name	Description	Access
18	0	PWMCLK_FAIL	When this bit is set, a PWM Clock Fail is detected. This occurs $F_{PWMCLK} \leq F_{PWMCLK\_FAIL}$ . In this case PWMCLK signal is bypassed by an internal fall back PWM frequency clock (having a frequency equal to $F_{FALLBACK\_CLK}$ ). PWMCLK normal operation will be restored after a R&C operation, when PWMCLK frequency $F_{PWMCLK} > F_{PWMCLK\_FAIL}$ .	R/C
17	0	VSPI_FAIL	VSPI failure bit 0: VSPI (external SPI Supply) present 1: VSPI not present (VSPI voltage lower than $V_{SPI\_UV}$ ): device goes to Limp Home Mode	R
16÷15	00	WD_STATUS	Watchdog status bit: see <a href="#">Table 25</a>	R
14	0	WD_FAIL	Watchdog failure bit: 0: watchdog OK; 1: watchdog failure in Active mode When this bit is set, the device goes in Limp Home Mode	R/C
13	0	VS_UV	VS undervoltage bit 0: $V_S > V_{S\_UV}$ ; 1: $V_S \leq V_{S\_UV}$	R
12	0	TOFF_MIN1	Minimum off-time operation for Buck1 0: Off-time $\geq t_{OFF\_MIN\_BUCK}$ 1: Off-time $< t_{OFF\_MIN\_BUCK}$	R
11	0	TOFF_MIN2	Minimum off-time operation for Buck2 0: Off-time $\geq t_{OFF\_MIN\_BUCK}$ 1: Off-time $< t_{OFF\_MIN\_BUCK}$	R
10	0	TOFF_MAX1	Maximum off-time operation for Buck1: 0: Off-time $< t_{OFF\_MAX\_BUCK}$ 1: Off-time $\geq t_{OFF\_MAX\_BUCK}$	R
9	0	TOFF_MAX2	Maximum off-time operation for Buck2: 0: Off-time $< t_{OFF\_MAX\_BUCK}$ 1: Off-time $\geq t_{OFF\_MAX\_BUCK}$	R
8	0	N_PWR_GOOD	This bit reflects the status of signal boost power good (negative) 1: Output Boost voltage not reaching 92.5% of its target value 0: Output Boost voltage has reached 92.5% of its target value	R
7	0	BST_OVP	Boost Overvoltage Protection. This bit is set when $V_{FB} > V_{FB\_OV\_ON}$ for more than $t_{BST\_OVP}$ while is reset when $V_{FB} < V_{FB\_OV\_OFF}$ for more than $t_{BST\_OVP\_RST}$ . If $BST\_DIS = 1$ then $BST\_OVP$ is not set. If $BST\_FB\_FAIL = 1$ then $BST\_OVP$ is not set.	R

Table 23. SR#2: Status Register 2 (continued)

Bit	Default	Name	Description	Access
6	0	BST_FB_FAIL	<p>Boost feedback pin failure. This bit is set when FB pin is shorted to ground. When this bit is set:</p> <ul style="list-style-type: none"> <li>– if Boost is in off-state, then it will not be allowed to start up;</li> <li>– if Boost is in on-state, then it will immediately switched OFF;</li> <li>– in both cases, no clock is delivered through SYNC_IO pin;</li> <li>– in addition, in Limp Home mode COMP pin will be pulled down.</li> </ul> <p>If BST_DIS = 1, BST_FB_FAIL bit will not be set. When BST_FB_FAIL = 1, Boost is disabled until a read and clear command of this bit has been acknowledged. In LHM, an auto restart procedure cyclically clears BST_FB_FAIL bit with a period equal to <math>t_{\text{AUTORESTART}}</math>.</p>	R/C
5	0	DIN_ST	<p>Direct input status bit. Filtered replica of logical level at DIN pin. Filtering time is equal to <math>t_{\text{DIN\_ST}}</math>.</p>	R
4÷1	0000	Unused		
0		Parity Bit	ODD Parity Bit Check	

**SR#3: Status Register 3**

23	22	21	20	19	18	17	16	15	14	13	12	11	10	9	8	7	6	5	4	3	2	1	0
VLED1,OFF								VLED2,OFF								Unused				Parity bit			
R/C																							

**Address:** 0x07h**Type:** R/C**Table 24. SR#3: Status Register 3**

Bit	Default	Name	Description	Access
23÷16	00000000	VLED1,OFF	ADC conversion related to VLED1 (ranging from 0 V to 52.5 V), sampled during off-time of Buck1. Note that in case of Buck1 controlled by DIN pin or by SPI, the ADC is continuously refreshed during off-state, while, if controlled by internal PWM dimming generator, ADC refresh occurs only once per period just before the end of each PWM off-cycle.	R/C
15÷8	00000000	VLED2,OFF	ADC conversion related to VLED2 (ranging from 0 V to 52.5 V), sampled during off-time of Buck2. Note that in case of Buck1 controlled by DIN pin or by SPI, the ADC is continuously refreshed during off-state, while, if controlled by internal PWM dimming generator, ADC refresh occurs only once per period just before the end of each PWM off-cycle.	R/C
7÷1	00000000	Unused		
0		Parity Bit	ODD Parity Bit Check	

**Table 25. Watchdog status**

WD_STATUS	WD timer status
00	[0...24%]
01	[24% ... 50%]
10	[50% ... 74%]
11	[74% ... 100%]

### 5.4.3 Customer test and trimming registers description

#### CT: Customer Trimming Register

23	22	21	20	19	18	17	16	15	14	13	12	11	10	9	8	7	6	5	4	3	2	1	0
CTM_TRIM_COD			DEF_HLEDCUR		DEF_DAC1		DEF_VLEDTOFF1		DEF_MS	DEF_BSTDIS		EOT	Reserved										Parity bit

**Address:** 0x3Eh

**Type:** R/W

Write operation allowed only when CTM\_TRIM\_COD = 100 and EOT = 0

**Table 26. CT: Ctm Trimming Register**

Bit	Default	Name	Comment
23÷21	000	CTM_TRIM_COD	Operation Code for Trimming Operation: 011: Execute blank check read 100: Execute selected bit burning 010: Execute margin mode read 011: Execute blank check read 111: Execute end of trimming 001: Execute standard read
20÷19	00	DEF_HLEDCUR	
18÷17	00	DEF_DAC1	
16÷15	00	DEF_VLEDTOFF1	
14	0	DEF_MS	
13	0	DEF_BSTDIS	
12	0	EOT	End of Ctm Trimming
11÷1	0000000000	—	Reserved
0		Parity Bit	ODD Parity Bit Check

## 5.4.4 Customer test and trimming procedure description

### General description

The writing procedure is performed connecting the two terminals of the anti-fuse capacitor at 15 V and ground respectively. This is achieved by providing 15V on VS battery pin.

After this phase, the capacitor is burnt and behaves like a resistance; its value (the residual resistance) strictly depends on the effectiveness of the burning procedure. During physical reading operation, the residual resistance is compared with a fixed threshold. If the residual resistance is greater than threshold a bit 0 is given, and the OTP cell is considered unwritten, otherwise a bit 1 is given and the OTP cell is considered written.

Blank check reading is executed to verify that all anti-fuses are unwritten after fabrication, while margin mode, usually performed immediately after the burning process, is used to verify if burned cells are properly written. Executing a blank-check reading after all writing operations have been completed allows verifying that unwritten cells haven't been degraded by burning processes.

### Recommended test flow

In [Figure 10](#) and in [Table 28](#) the recommended testing procedure is shown and described.

Testing procedure starts with a blank check read, to verify that all anti-fuse rows are unwritten. After this operation, it is possible to select the bits to be written and to start programming. Writing operation should be performed up to 3 times. At the end of programming, a reading procedure should be performed in Margin Mode.

At the end of the test, it is strongly recommended executing a blank-check read in order to verify that unwritten cells haven't been degraded.

[Table 27](#) summarizes the writing test conditions.

**Table 27. Writing test conditions**

Symbol	Parameter	Conditions	Min	Typ	Max	Unit
VS	15 V supply			15		V
$I_{HV}$	HV current during programming				28	mA
—	Temperature		-40	27	150	°C
—	External capacitance		2	5	10	nF

*Note:* An external capacitance must be applied between VS and GROUND pins.

Figure 10. Testing flow chart

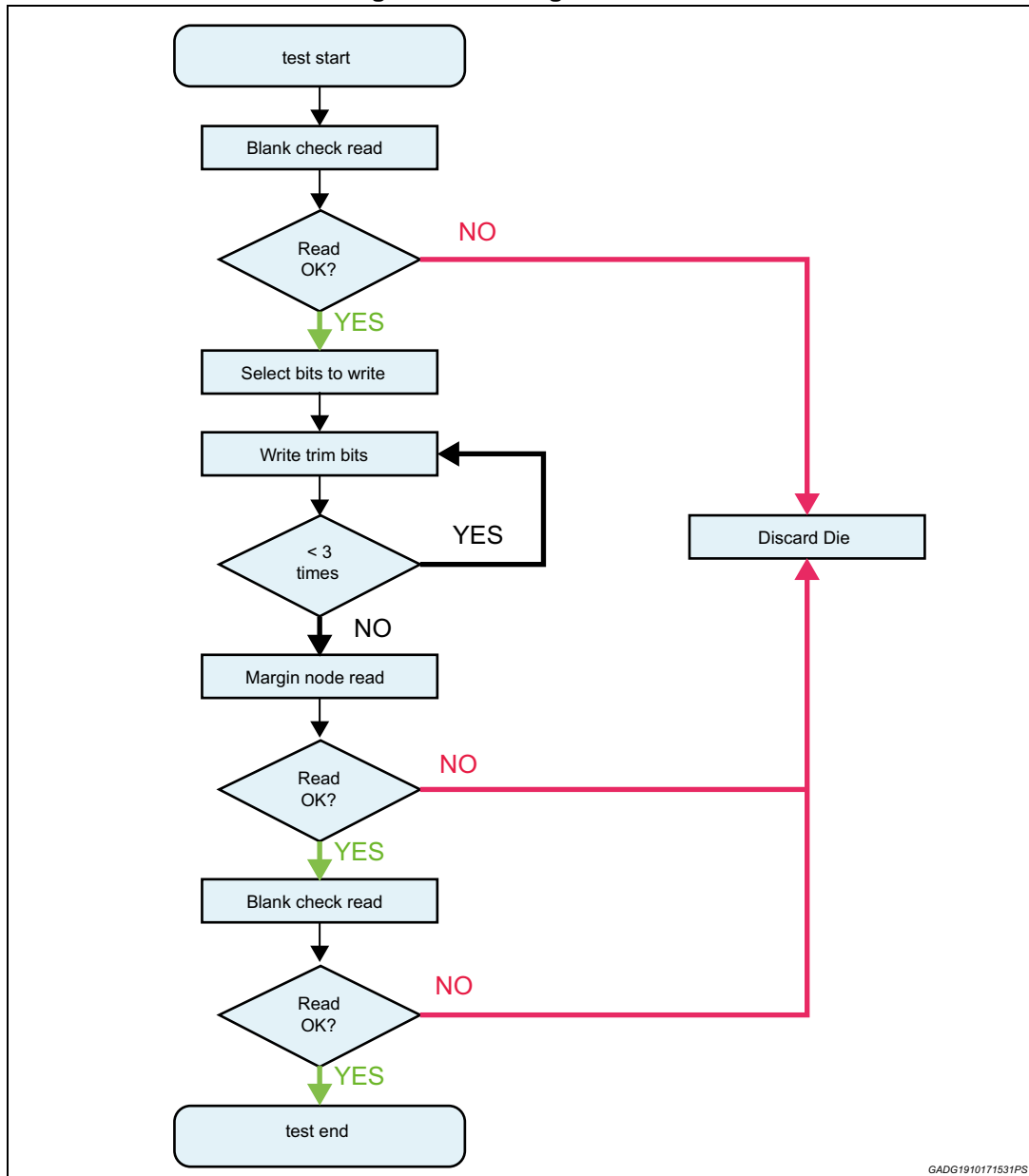


Table 28. Testing procedure description

Step	Description	Action	SPI Frames (binary, unless otherwise specified)
Blank Check (load)	In this step, antifuses are compared with a higher resistance than the standard one - to be sure they are initially unburned. Their content is loaded into bits (20÷13) of CTM register.	Send an SPI write to CTM	00 111110 011 00000000000000000000
Blank Check (read)	During previous step, the result of Blank Check Read is loaded into bits (20÷13) of CTM register. A read operation is required this result.	Send an SPI read for customer trimming register and analyze the SDO frame received from device	01 111110 000 000000000000000000001
Blank Check (decision)	A decision must be taken, based on the previous result. If antifuses were damaged, device must be discarded, otherwise the flow can proceed.	If the answer to previous SPI read is different from <b>xx0000xx</b> , then device must be discarded	-
Select bits to write	Desired setting for default values of some control bits must be chosen. Let's assume that the chosen 8 bit word is: <i>ctm</i> , corresponding to the 8 bits of CTM from 20 to 13 (DEF_HLEDCUR + DEF_DAC1 + DEF_VLEDOFF1 + DEF_MS + DEF_BSTDIS).	Select 8 bit word to write ( <i>ctmd</i> )	-
Burn (X3)	In this step, selected word (i.e. <i>ctmd</i> ) must be written in the OTPs. <b>This step must be repeated three times.</b> It is recommended to wait the completion of a burn operation before starting the following one. Time required to burn one word depends on the number of fuses to be burned and it is equal to: <b>2.85 μs + 401 μs * &lt;number of selected bits&gt;</b>	Prepare the right external setup (see Table 27, "Writing test conditions"). Send an SPI write to CTM. Selected word must be placed in bits (20÷13) of CTM. Last bit depends on odd parity check.	00 111110 100 [ <i>ctmd</i> ]0000000000000000x
End Of Trimming (X3)	In this step, end of trimming antifuse is burned. <b>This step must be repeated three times.</b> It is recommended to wait the completion of a burn operation before starting the following one. Time required to burn one bit is almost equal to: <b>404 μs</b>	Send an SPI write to CTM	00 111110 111 000000000000000000001

Table 28. Testing procedure description (continued)

Step	Description	Action	SPI Frames (binary, unless otherwise specified)
Margin Mode (load)	In this step, antifuses are compared with a lower resistance than the standard one - to be sure selected bits are properly burned. Their content is loaded into CTM register.	Send an SPI write to CTM	00 111110 010 0000000000000000000000
Margin Mode (read)	During previous step, the result of MM Read is loaded into the most significant 16 bits of each corresponding trimming register. A read operation is required to read this result.	Send an SPI read for customer trimming register and analyze the SDO frame received from device	01 111110 000 0000000000000000000001
Margin Mode (decision)	A decision must be taken, based on the previous result. If antifuses were not correctly burned after three steps, then device must be discarded, otherwise the flow can proceed.	If the answer to SPI read operation is different from: <b>xxxxxxx</b> <b>[ctm]100000000000</b> <b>x</b> , then device must be discarded. Last bit depends on odd parity check.	-
Final Blank Check (load)	In this step, antifuses are compared with a higher resistance than the standard one - to be sure unselected bits are really unburned. Their content is loaded in CTM register.	Send an SPI write to CTM	00 111110 011 0000000000000000000000
Final Blank Check (read)	During previous step, the result of Blank Check Read is loaded into bits (20÷13) of CTM register. A read operation is required for each of them to read this result.	Send an SPI read for customer trimming register and analyze the SDO frame received from device	01 111110 000 0000000000000000000001
Final Blank Check (decision)	A decision must be taken, based on the previous result. If antifuses were damaged, device must be discarded, otherwise the flow can proceed.	If the answer to SPI read operation is different from: <b>xxxxxxx</b> <b>[ctm]100000000000</b> <b>x</b> , then device must be discarded. Last bit depends on odd parity check.	-

Table 29. Default peak current selection for Buck Cell 1

DEF_DAC1	DAC1 (default value)	$I_{L1\_Peak}$ [A] (HLEDCUR1 = 1)	$I_{L1\_Peak}$ [A] (HLEDCUR1 = 0)
00	100000	0.809	0.402
01	000000	0.362	0.179
10	110001	1.235	0.632
11	111111	1.695	0.849

Table 30. Default VLEDxTOFF Selection for Buck Cell 1

DEF_VLEDTOFF1	VLED_TOFF1
00	1111 (72 V* $\mu$ s)
01	1011 (40 V* $\mu$ s)
10	0101 (20 V* $\mu$ s)
11	0000 (10 V* $\mu$ s)

## 6 Electrical specifications

### 6.1 Absolute maximum ratings

Stressing the device above the rating listed in the [Table 31](#) may cause permanent damage to the device. These are stress ratings only and operation of the device at these or any other conditions above those indicated in the operating sections of this specification is not implied. Exposure to absolute maximum rating conditions for extended periods may affect device reliability.

**Table 31. Absolute maximum ratings**

Symbol	Parameter	Value	Unit
$V_S$	Battery supply voltage	-0.3 to 40	V
$V_{SPI}$	Supply voltage of the SPI interface	-0.3 to 6.5	V
$V_{5V}$	5V Voltage Regulator Capacitor Output	-0.3 to 6.5	V
$V_{3V3}$	3.3V Voltage Regulator Capacitor Output	-0.3 to 4.6	V
$V_{CSN}$ , $V_{SDI}$ , $V_{SCK}$	SPI pins voltage	-0.3 to 6.5	V
$V_{SDO}$	SPI pin voltage	-0.3 to $V_{SPI} + 0.3$	V
$V_{CBOOT1}$ , $V_{CBOOT2}$	Buck-related high voltage pins	-0.3 to 65	V
$V_{CBOOT1}-V_{LX1}$ , $V_{CBOOT2}-V_{LX2}$	Buck MOSFET overdrive	-0.3 to 4.6	V
$V_{BUCKIN1}$ , $V_{BUCKIN2}$ , $V_{LED1}$ , $V_{LED2}$	Buck input and output pins voltage	-0.3 to 62	V
$V_{LX1}$ , $V_{LX2}$	Buck switching node pins voltage	-1.0 to 62	V
$I_{VLEDx}$	$V_{LEDx}$ pins maximum injected current	0.1	mA
$V_{DIN}$	Direct input pin voltage	-0.3 to 6.5	V
$V_{PWMCLK}$	Clock input pin (for internal PWM dimming generator)	-0.3 to 6.5	V
$V_{SYNC\_I/O}$	Boost synchronization I/O pin	-0.3 to $V_{3V3}+0.3$	V
$V_{G0}$	Boost gate driver pin voltage	-0.3 to $V_{5V} + 0.3$	V
$V_{SP}$	Boost sense positive pin voltage	$-0.3 \div V_{3V3} + 0.3$	V
$V_{SN}$	Boost sense negative pin voltage	$-0.3 \div 1$	V
$V_{COMP}$	Boost compensation network pin voltage	$-0.3 \div V_{3V3} + 0.3$	V
$V_{FB}$	Boost feedback pin voltage	$-0.3 \div V_{3V3} + 0.3$	V
$T_j$	Junction operating temperature	-40 to 150	°C
$T_{STG}$	Storage temperature	-55 to 150	°C

## 6.2 ESD protection

Table 32. ESD protection

Parameter	Value	Unit
All pins <sup>(1)</sup>	±2	kV
All output pins <sup>(2)</sup>	±4	kV
All pins (Charge Device Model)	±500	V
Corner pins (Charge Device Model)	±750	V

1. HBM (human body model, 100 pF, 1.5 kΩ) according to MIL 883C, Method 3015.7 or EIA/JESD22A114-A.
2. HBM with all none zapped pins grounded, output pins are VS, DIN, VLED1, VLED2.

## 6.3 Thermal characteristics

Table 33. QFN40L 6x6 thermal resistance

Symbol	Parameter	Min	Typ	Max	Unit
$R_{thj-amb}$ <sup>(1)</sup>	Thermal resistance junction to ambient (JEDEC JESD 51-2)	—	32	—	°C/W
$R_{thj-board}$	Thermal resistance junction to board (JEDEC JESD 51-8)	—	11	—	°C/W
$R_{thj-case}$	Junction-to-case thermal resistance	—	7.2	—	°C/W

1. Device mounted on four layers 2s2p PCB (thermally enhanced, slug included).

Table 34. Thermal characteristics

Symbol	Parameter	Min	Typ	Max	Unit
$T_{J\_OP}$	Operating junction temperature	-40		150	°C
$TW_1$	Junction temperature warning 1	120	130	140	°C
$TW_1\_HYS$	Temperature warning 1 hysteresis		30		°C
$TW_2$	Junction temperature warning 2	130	140	150	°C
$TW_2\_HYS$	Temperature warning 2 hysteresis		10		°C
$T_{TSD}$	Junction thermal shutdown	155	165	175	°C
$T_{TSD\_HYS}$	Junction thermal shutdown hysteresis		25		°C

## 6.4 Electrical characteristics

$5.5\text{ V} < V_S < 24\text{ V}$ ,  $-40\text{ }^\circ\text{C} < T_j < 150\text{ }^\circ\text{C}$ , unless otherwise specified.

The device is still operative and functional at higher temperatures (up to  $175\text{ }^\circ\text{C}$ ).

*Note:* Parameters limits at higher temperatures than  $150\text{ }^\circ\text{C}$  may change respect to what is specified as per the standard temperature range.

*Device functionality at high temperature is guaranteed by characterization.*

### 6.4.1 Supply

Table 35. Supply

Symbol	Parameter	Test conditions	Min	Typ	Max	Unit
$V_{SPI}$	Digital I/O supply voltage		3.0		5.5	V
$V_{SPI,UV}$	$V_{SPI}$ under voltage		2.0	2.5	3.0	V
$I_{SPI,STBY}$	$V_{SPI}$ standby current	Device in standby mode $V_{SPI} = 5.0\text{ V}$		1	2	$\mu\text{A}$
$I_{SPI,Q}$	$V_{SPI}$ quiescent current	Device operating $V_{SPI} = 5.0\text{ V}$			3	mA
$V_S$	Operating $V_S$ supply voltage		5.5		24	V
$V_{S,UV,L}$	$V_S$ under voltage shutdown low limit	$V_{SPI} = 5\text{ V}$ ; Ramp on $V_S$ from $5.5\text{ V}$ to $4.4\text{ V}$	4.5		5	V
$V_{S,UV,H}$	$V_S$ under voltage shutdown high limit	$V_{SPI} = 5\text{ V}$ ; Ramp on $V_S$ from $4.4\text{ V}$ to $5.85\text{ V}$		5.3	5.6	V
$V_{S,UV,HYST}$	$V_S$ under voltage hysteresis			0.5		V
$I_S$	$V_S$ operating current	$V_S = 13.5\text{ V}$ ; Boost ON at $F_{SW} = 250\text{ KHz}$ ; Buck1 and Buck2 ON; $V_{BUCKIN1} = V_{BUCKIN2} = V_{BOOST} = 25\text{ V}$ $I_{OUT1} = I_{OUT2} = 250\text{ mA}$		30		mA
$I_{S,Q}$	$V_S$ quiescent current	$V_{SPI} = 5\text{ V}$ , $V_S = 13.5\text{ V}$ ; Boost and buck disabled		7	16	mA
$I_{S,STBY}$	$V_S$ standby current	Device in standby mode; $V_S = 13.5\text{ V}$		6	10	$\mu\text{A}$
$V_{POR,H}$	Power-on reset high state	Ramp on $V_{3V3}$ from $3.3\text{ V}$ to $2\text{ V}$	2.7	2.8	2.9	V
$V_{POR,L}$	Power-on reset low state	Ramp on $V_{3V3}$ from $2\text{ V}$ to $3.3\text{ V}$	2.65	2.75	2.85	V
$V_{POR,HYST}$	Power-on reset hysteresis			0.05		V
$V_{3V3}$	Output voltage of 3V3 LDO	$V_S = 13\text{ V}$ , $C_{out} = 220\text{ nF}$	3.1	3.3	3.5	V

## 6.4.2 Boost controller

Table 36. Boost gate driver

Symbol	Parameter	Test conditions	Min	Typ	Max	Unit
t <sub>G0</sub>	Gate driver output rise and fall time	V <sub>S</sub> = 13 V; CG <sub>0</sub> = 4.7 nF; VGS_G0 rising from 10% ÷ 90%		25	75	ns
		V <sub>S</sub> = 13 V; CG <sub>0</sub> = 4.7 nF; VGS_G0 falling from 90% ÷ 10%		25	75	ns
V <sub>G0_H</sub>	Gate driver High output voltage		0.9 * V5V		V5V	V
V <sub>G0_L</sub>	Gate driver Low output voltage				0.3	V
V <sub>5V</sub>	Output Voltage of 5V LDO	V <sub>S</sub> = 13 V; C <sub>out</sub> = 4.7 µF, External maximum load current: I <sub>load</sub> = 10 mA	4.75	5	5.25	V
I <sub>5V</sub> <sup>(1)</sup>	Current capability of 5V LDO	V <sub>S</sub> = 13 V Output of 5V LDO connected to ground	30	45	60	mA

1. I<sub>5V</sub> = Q<sub>tgate</sub> x F<sub>boost\_sw</sub> (external MOSFET total gate charge multiplied by boost switching frequency).

Table 37. Boost controller

Symbol	Parameter	Test conditions	Min	Typ	Max	Unit
F <sub>BOOST_SW_MAX</sub>	Boost maximum operative switching frequency	CR#3<9:7> (000)b ÷ (111)b		450		kHz
F <sub>BOOST_SW_MIN</sub>	Boost minimum operative switching frequency	CR#3<9:7> (000)b ÷ (111)b		100		kHz
F <sub>BOOST_STEP</sub>	Boost Switching Frequency Step			50		kHz
F <sub>BOOST_ACC</sub>	Boost Switching Frequency accuracy	T = 125 °C	-5		5	%
V <sub>BOOST_LIM</sub>	Boost maximum current sense differential voltage (SP, SN pin) for current limitation	V <sub>S</sub> = 13 V Boost enabled	350	390	430	mV
t <sub>BOOST_MIN</sub>	Minimum boost on-time	V <sub>S</sub> = 13 V; SP pin = 3.3 V Boost enabled		200	600	ns
D <sub>BOOST_MAX</sub>	Boost maximum duty cycle	V <sub>S</sub> = 13 V; SP pin = 0 V Boost enabled		90		%
V5V_DROP	Min voltage drop of 5V LDO respect to VS: V5V_DROP = (VS - V5V)	I(5V5) = -1 mA		0.1	0.3	V
t <sub>SS</sub>	Soft start duration	Guaranteed by scan and frequency oscillator (20 MHz, typical)		8		ms

Table 37. Boost controller (continued)

Symbol	Parameter	Test conditions	Min	Typ	Max	Unit
$G_M$	Error amplifier trans conductance gain	$V_{FB} - V_{FB\_REF[11]} = \pm 35 \text{ mV}$ ; $V_{COMP} = 1.5 \text{ V}$ ; $V_S = 13 \text{ V}$ ; $I_{OUT} = \pm 20 \mu\text{A}$		570		$\mu\Omega^{-1}$
$I_{COMP}$	Trans conductance amplifier Output current	Sourcing into COMP pin; $V_{FB} = 3.3 \text{ V}$ ; $V_S = 13 \text{ V}$		110		$\mu\text{A}$
		Sinking from COMP pin; $V_{FB} = 0 \text{ V}$ ; $V_S = 13 \text{ V}$		-110		$\mu\text{A}$
$G_{LA}$	Gain of linear amplifier	$V_S = 13 \text{ V}$ ; $V_{SP} = 250 \text{ mV}$ ; $V_{SN} = 0 \text{ V}$		4.25		V/V
$I_{SLOPE}$	Slope compensation current value injected to SP pin			20		A/s

Table 38. Boost controller reference voltage

Symbol	Parameter	BOOSTREF [1:0]	Min	Typ	Max	Unit
$V_{FB\_REF[00]}$	Boost feedback reference voltage	[0,0]		0.596		V
$V_{FB\_REF[01]}$		[0,1]		0.895		V
$V_{FB\_REF[10]}$		[1,0]		1.242		V
$V_{FB\_REF[11]}$		[1,1]		1.496		V
$V_{FB\_REF\_ACC}$	Boost feedback reference voltage accuracy	all configuration	-2		2	%
$V_{FB\_OV\_ON}$	Boost OV activation threshold	[1,1]	Typ-3%	$1.03 * V_{FB\_REF[11]}$	Typ+3%	V
		[x,x]		$1.05 * V_{FB\_REF[xx]}^{(1)}$		
$V_{FB\_OV\_OFF}$	Boost OV de-activation threshold	[x,x]		$V_{FB\_REF[xx]}$		V
$V_{BST\_FB\_FAIL\_TH}$	Boost feedback pin failure - threshold	Ramp on FB pin from 1 V down to 0 V		90	130	mV

1. "xx" &lt;&gt; "11".

## Electrical specifications

## L99LD21

## 6.4.3 Buck

Table 39. Buck converter power stage

Symbol	Parameter	Test conditions	Min	Typ	Max	Unit
$V_{BUCKIN1}$ $V_{BUCKIN2}$	Buck input voltage range		$V_S$		60	V
$I_{Lx\_PEAK}$	Accuracy of the inductor peak current	Low RDSon Mode; $T_j \geq 25\text{ }^\circ\text{C}$	-4.5		4.5	%
		Low RDSon Mode; $T_j < 25\text{ }^\circ\text{C}$ DAC code $\geq 26$	-6		6	%
		High RDSon Mode; $T_j \geq 25\text{ }^\circ\text{C}$ DAC code $\geq 26$	-4.5		4.5	%
		High RdsOn Mode; $T_j \geq 25\text{ }^\circ\text{C}$ DAC code $< 26$	-6	6	%	
		High RdsOn Mode; $T_j < 25\text{ }^\circ\text{C}$ DAC code $\geq 26$				
$V_{LED\_SHT}$	Buck short circuit activation threshold	Ramp on $V_{LEDx}$ from 52.5 V to 0 V	1.2	1.7	2.2	V
$R_{DSON}$	Buck MOSFET $R_{DSON}$	High $R_{DS\_ON}$ mode; $V_{BUCKINx} = 45\text{ V}$ ; $I_{OUT} = 350\text{ mA}$ ; $T_j = 25\text{ }^\circ\text{C}$			800	m $\Omega$
		Low $R_{DS\_ON}$ mode; $V_{BUCKINx} = 45\text{ V}$ ; $I_{OUT} = 700\text{ mA}$ ; $T_j = 25\text{ }^\circ\text{C}$			400	m $\Omega$
$R_{DSON}$	Buck MOSFET $R_{DSON}$	High $R_{DS\_ON}$ mode; $V_{BUCKINx} = 45\text{ V}$ ; $I_{OUT} = 350\text{ mA}$ ; $T_j = 150\text{ }^\circ\text{C}$			1300	m $\Omega$
		Low $R_{DS\_ON}$ mode; $V_{BUCKINx} = 40\text{ V}$ ; $I_{OUT} = 700\text{ mA}$ ; $T_j = 150\text{ }^\circ\text{C}$			650	m $\Omega$
$(dV_{Lx}/dt)_{ON}$	LX Turn on voltage slope			2.4		V/ns
$(dV_{Lx}/dt)_{OFF}$	LX Turn off voltage slope			2.4		V/ns
$t_{Blank\_Buck}$	Buck Blanking Time			200		ns
$t_{STARTUP}$	Buck startup phase duration			400		$\mu\text{s}$
$N_{ton\_min\_fail}$	Number of failure counter cycle			32		
$N_{ton\_min\_fail\_reset}$	Reset of number of failure counter cycle			10		

Table 39. Buck converter power stage (continued)

Symbol	Parameter	Test conditions	Min	Typ	Max	Unit
$t_{TONMAX\_OFF}$	Buck off time after detection of two consecutive $T_{ON\_MAX}$ operation			64		$\mu\text{s}$
$t_{DELAY}$	Time delay before: to switch on Buckx (Boost Disable or No power good); to switch off Boost ( $V_S$ undervoltage)			10		ms
$t_{LOOP\_DELAY\_BUCK}$	Buck loop delay			190		ns
$t_{ON\_MIN\_BUCK}$	Operative Buck converter minimum on-time		400			ns
$t_{ON\_MAX\_BUCK}$	Operative Buck converter maximum on-time			20		$\mu\text{s}$
$t_{OFF\_MIN\_BUCK}$	Operative Buck converter minimum off-time		500			ns
$t_{OFF\_MAX\_BUCK}$	Operative Buck converter maximum off-time			10		$\mu\text{s}$
$I_{Lx\_Peak}$	Inductor Peak Current Reference Range (see <a href="#">Table 40</a> and figures <a href="#">11</a> and <a href="#">12</a> )	Low $I_{Lx\_PEAK}$ current range; High $R_{DSON}$ mode	0.179		0.849	A
		High $I_{Lx\_PEAK}$ current range; Low $R_{DSON}$ mode	0.362		1.695	
VLED_RES	VLED input impedance			425		$k\Omega$
ADC_RES	ADC resolution			8		bits
ADC_CONV_TIME	VLED1 ADC refresh time	Full conversion of 8 bits $V_S = 13.5\text{ V}$ $V_{SPI} = 5\text{ V}$ $V_{LEDx} = 10\text{ V}$		3.6		$\mu\text{s}$
	VLED2 ADC refresh time					
ADC_FS	ADC full scale for VLED measurement			52.5		V
ADC_INL	ADC Integral Non Linearity		-2		2	LSB
ADC_DNL	ADC Differential Non Linearity		-2		2	LSB

## Electrical specifications

L99LD21

Note: The values shown in the [Table 40](#) are in accordance to the CR#2<23:18> and CR#2<17:12> configuration; see [Section 5.4](#)

Table 40. Inductor peak current selection

DAC code	DAC code 5	DAC code 4	DAC code 3	DAC code 2	DAC code 1	DAC code 0	IL_PEAK [A] Low RDSON	IL_PEAK [A] High RDSON
0	0	0	0	0	0	0	0.362	0.179
1	0	0	0	0	0	1	0.369	0.183
2	0	0	0	0	1	0	0.376	0.186
3	0	0	0	0	1	1	0.384	0.19
4	0	0	0	1	0	0	0.392	0.194
5	0	0	0	1	0	1	0.401	0.198
6	0	0	0	1	1	0	0.41	0.203
7	0	0	0	1	1	1	0.419	0.208
8	0	0	1	0	0	0	0.429	0.213
9	0	0	1	0	0	1	0.44	0.218
10	0	0	1	0	1	0	0.451	0.223
11	0	0	1	0	1	1	0.462	0.229
12	0	0	1	1	0	0	0.474	0.235
13	0	0	1	1	0	1	0.487	0.243
14	0	0	1	1	1	0	0.499	0.248
15	0	0	1	1	1	1	0.513	0.255
16	0	1	0	0	0	0	0.527	0.261
17	0	1	0	0	0	1	0.542	0.269
18	0	1	0	0	1	0	0.557	0.276
19	0	1	0	0	1	1	0.572	0.284
20	0	1	0	1	0	0	0.588	0.292
21	0	1	0	1	0	1	0.598	0.297
22	0	1	0	1	1	0	0.615	0.305
23	0	1	0	1	1	1	0.632	0.314
24	0	1	1	0	0	0	0.649	0.322
25	0	1	1	0	0	1	0.668	0.332
26	0	1	1	0	1	0	0.686	0.34
27	0	1	1	0	1	1	0.706	0.35
28	0	1	1	1	0	0	0.725	0.36
29	0	1	1	1	0	1	0.745	0.37
30	0	1	1	1	1	0	0.766	0.38
31	0	1	1	1	1	1	0.787	0.39

Table 40. Inductor peak current selection (continued)

DAC code	DAC code 5	DAC code 4	DAC code 3	DAC code 2	DAC code 1	DAC code 0	IL_PEAK [A] Low RDSON	IL_PEAK [A] High RDSON
32	1	0	0	0	0	0	0.809	0.402
33	1	0	0	0	0	1	0.831	0.413
34	1	0	0	0	1	0	0.853	0.424
35	1	0	0	0	1	1	0.877	0.436
36	1	0	0	1	0	0	0.9	0.447
37	1	0	0	1	0	1	0.924	0.46
38	1	0	0	1	1	0	0.938	0.471
39	1	0	0	1	1	1	0.963	0.483
40	1	0	1	0	0	0	0.987	0.496
41	1	0	1	0	0	1	1.013	0.509
42	1	0	1	0	1	0	1.039	0.521
43	1	0	1	0	1	1	1.066	0.535
44	1	0	1	1	0	0	1.093	0.549
45	1	0	1	1	0	1	1.12	0.562
46	1	0	1	1	1	0	1.148	0.576
47	1	0	1	1	1	1	1.177	0.59
48	1	1	0	0	0	0	1.205	0.605
49	1	1	0	0	0	1	1.235	0.62
50	1	1	0	0	1	0	1.265	0.635
51	1	1	0	0	1	1	1.295	0.65
52	1	1	0	1	0	0	1.326	0.665
53	1	1	0	1	0	1	1.357	0.681
54	1	1	0	1	1	0	1.389	0.696
55	1	1	0	1	1	1	1.421	0.713
56	1	1	1	0	0	0	1.453	0.729
57	1	1	1	0	0	1	1.486	0.746
58	1	1	1	0	1	0	1.52	0.762
59	1	1	1	0	1	1	1.554	0.78
60	1	1	1	1	0	0	1.588	0.797
61	1	1	1	1	0	1	1.623	0.814
62	1	1	1	1	1	0	1.658	0.832
63	1	1	1	1	1	1	1.695	0.849

Figure 11. IL\_PEAK vs DAC code - Low R<sub>dson</sub>

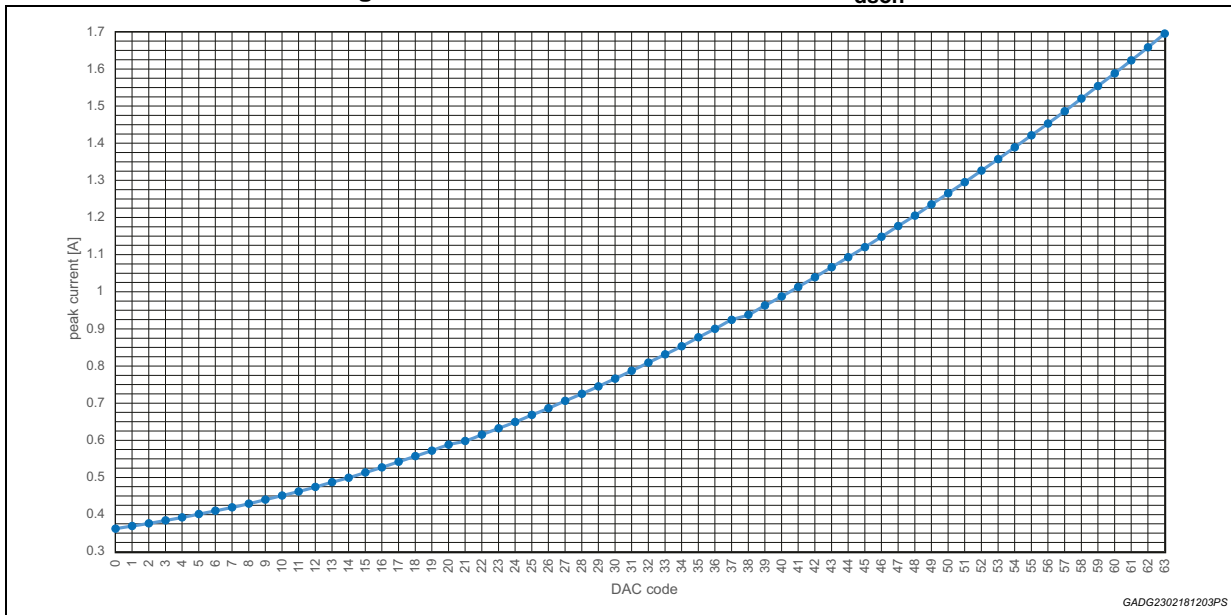


Figure 12. IL\_PEAK vs DAC code - High R<sub>dson</sub>

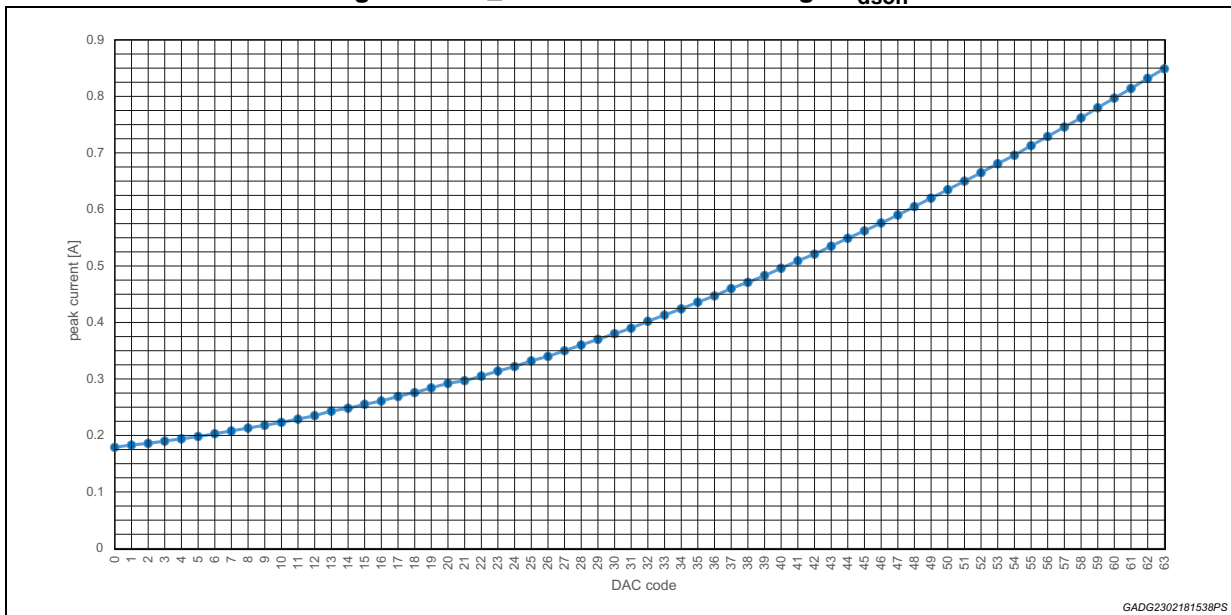
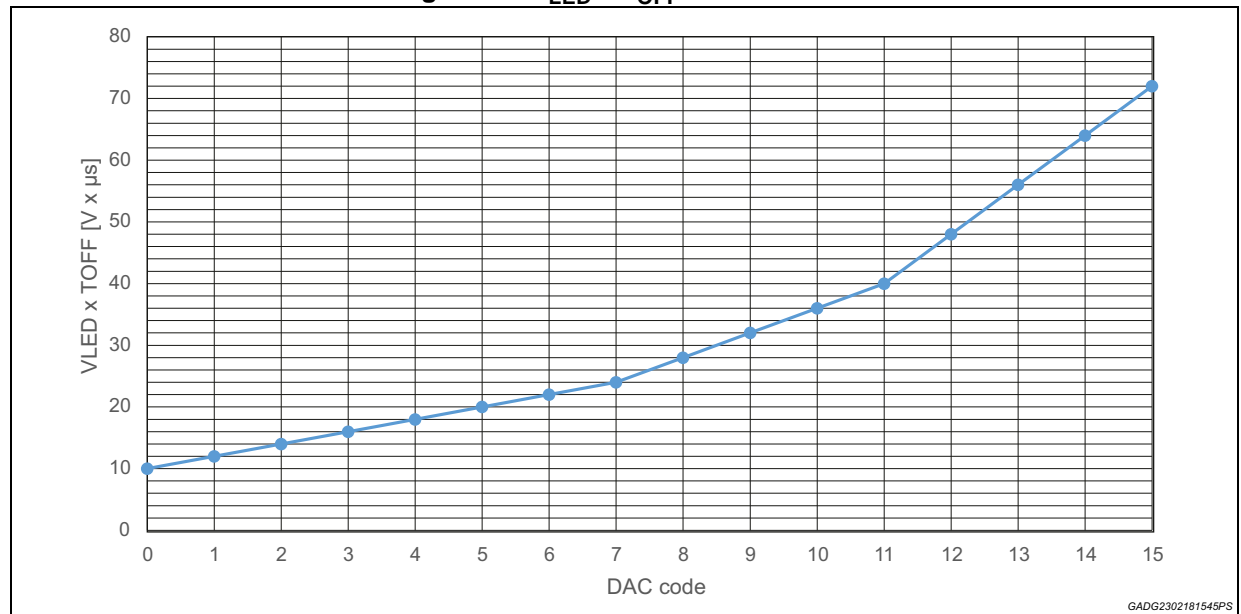


Table 41. VLEDxTOFF constants

Symbol	Parameter	Test conditions	Min	Typ	Max	Unit
VLEDxTOFF1 OR VLEDxTOFF2	Constant product led output voltage off time (see <a href="#">Figure 13</a> - parameter vs DAC code)	CR#2<11:8> OR CR#2<7:4> = [0000]b	—	10	—	V*μs
		CR#2<11:8> OR CR#2<7:4> = [0001]b	—	12	—	V*μs
		CR#2<11:8> OR CR#2<7:4> = [0010]b	—	14	—	V*μs
		CR#2<11:8> OR CR#2<7:4> = [0011]b	—	16	—	V*μs
		CR#2<11:8> OR CR#2<7:4> = [0100]b	—	18	—	V*μs
		CR#2<11:8> OR CR#2<7:4> = [0101]b	—	20	—	V*μs
		CR#2<11:8> OR CR#2<7:4> = [0110]b	—	22	—	V*μs
		CR#2<11:8> OR CR#2<7:4> = [0111]b	—	24	—	V*μs
		CR#2<11:8> OR CR#2<7:4> = [1000]b	—	28	—	V*μs
		CR#2<11:8> OR CR#2<7:4> = [1001]b	—	32	—	V*μs
		CR#2<11:8> OR CR#2<7:4> = [1010]b	—	36	—	V*μs
		CR#2<11:8> OR CR#2<7:4> = [1011]b	—	40	—	V*μs
		CR#2<11:8> OR CR#2<7:4> = [1100]b	—	48	—	V*μs
		CR#2<11:8> OR CR#2<7:4> = [1101]b	—	56	—	V*μs
		CR#2<11:8> OR CR#2<7:4> = [1110]b	—	64	—	V*μs
CR#2<11:8> OR CR#2<7:4> = [1111]b	—	72	—	V*μs		
VLEDxTOFFx	Accuracy	$V_{LED\_SHTmin} \leq V_{LEDx} \leq 5 V$	-13	—	13	%
		$5 V < V_{LEDx} \leq 7 V$	-9.5	—	9.5	
		$V_{LEDx} > 7 V$	-8	—	8	

Figure 13.  $V_{LED} \times T_{OFF}$  vs DAC code

## 6.4.4 SPI

Table 42. SPI signal description

Symbol	Parameter	Test conditions	Min	Typ	Max	Unit
CSN	Chip Select Not	High State	$0.7 * V3V3$	—	V3V3	V
		Low State	—	—	$0.3 * V3V3$	
SCK	Serial Clock	High State	$0.7 * V3V3$	—	V3V3	V
		Low State	—	—	$0.3 * V3V3$	
SDI	Serial data Input	High State	$0.7 * V3V3$	—	V3V3	V
		Low State	—	—	$0.3 * V3V3$	
SDO	Serial data Output - High State	$I_{OUT} = -1 \text{ mA}$	VSPI-0.5	VSPI-0.2	—	V
	Serial data Output - Low State	$I_{OUT} = 1 \text{ mA}$	—	0.2	0.5	
$I_{LK}$	Output leakage current	—	-1	—	1	$\mu\text{A}$

Note: See also [Chapter 5: SPI functional description](#).

Table 43. SPI timings

Symbol	Parameter	Test conditions	Min	Typ	Max	Unit
$T_{sck}$	Serial clock (SCK) period		250			ns
$T_{Hsck}$	SCK high time		100			ns
$T_{Lsck}$	SCK low time		100			ns
$T_{rise\_in}$	CSN, SCK, SDI rise time	$F_{sck} = 4 \text{ MHz}$			25	ns
$T_{fall\_in}$	CSN, SCK, SDI fall time	$F_{sck} = 4 \text{ MHz}$			25	ns
$T_{Hcsn}$	CSN high time		6			$\mu\text{s}$
$T_{Scsn}$	CSN setup time, CSN low before SCK rising		100			ns
$T_{Ssck}$	SCK setup time, SCK low before CSN rising		100			ns
$T_{Ssdi}$	SDI setup time before SCK rising		25			ns
$T_{hold\_sdi}$	SDI hold time		25			ns
$T_{csn\_v}$	CSN falling until SDO valid	$C_{out} = 50 \text{ pF};$ $I_{out} = \pm 1 \text{ mA}$			100	ns
$T_{csn\_v}$	CSN rising until SDO tristate	$C_{out} = 50 \text{ pF};$ $I_{out} = \pm 4 \text{ mA}$			100	ns
$T_{sck\_v}$	SCK falling until SDO valid	$C_{out} = 50 \text{ pF}$			60	ns
$T_{Rsdo}$	SDO rise time	$C_{out} = 50 \text{ pF};$ $I_{out} = -1 \text{ mA}$		50	100	ns

Table 43. SPI timings (continued)

Symbol	Parameter	Test conditions	Min	Typ	Max	Unit
$T_{Fsd0}$	SDO fall time	$C_{out} = 50 \text{ pF};$ $I_{out} = 1 \text{ mA}$		50	100	ns
$T_{csn\_low\_t}$	CSN low timeout		20	35	50	ms

## 6.4.5 Direct input

Table 44. Direct Input pin limits

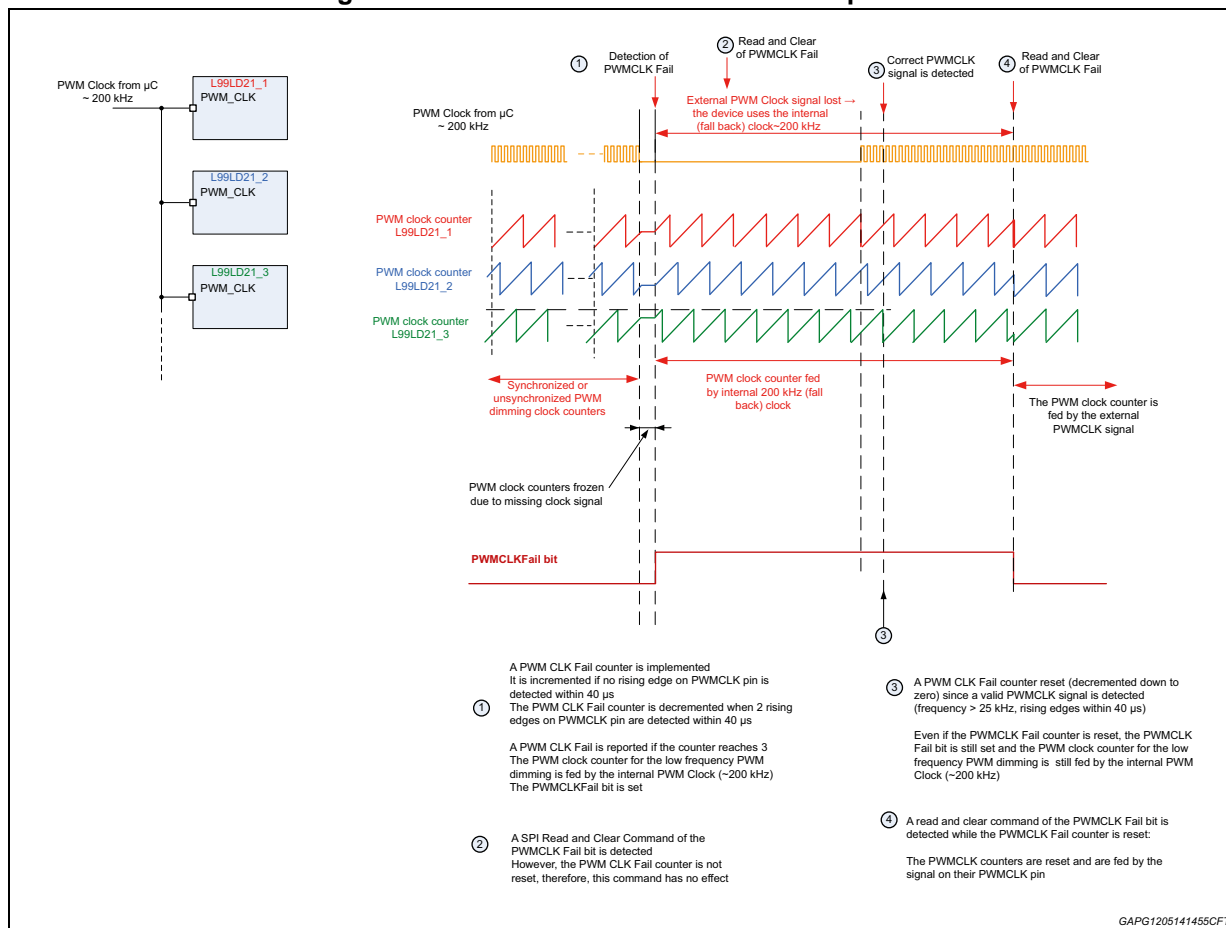
Symbol	Parameter	Test conditions	Min	Typ	Max	Unit
$V_{DIN\_L}$	DIN Low threshold			—	$0.3 * V3V3$	V
$V_{DIN\_H}$	DIN High threshold		$0.7 * V3V3$	—	V3V3	V

## 6.4.6 PWM dimming

Table 45. PWMCLK and Fall back PWM description

Symbol	Parameter	Test conditions	Min	Typ	Max	Unit
$V_{PWMCLK\_L}$	PWMCLK low threshold				$0.3 * V_{3V3}$	V
$V_{PWMCLK\_H}$	PWMCLK high threshold		$0.7 * V_{3V3}$		$V_{3V3}$	V
$F_{PWMCLK}$	PWMCLK input frequency range		102400		409600	Hz
$F_{PWMCLK\_FAIL}$	PWMCLK frequency fail detection range		0		26500	Hz
$F_{FALLBACK\_CLK}$	Fall back PWM frequency clock		190	200	210	KHz

Figure 14. PWM clock failure and reset sequence



## 6.4.7 Digital timings

Table 46. Digital timings description

Symbol	Parameter	Test conditions	Min	Typ	Max	Unit
$t_{WD}$	Watchdog timeout period		45	50	55	ms
$t_{CSN\_TIMEOUT}$	CSN timeout		90	115	140	ms
$t_{AUTORESTART}$	Autorestart time in limp home mode		45	50	55	ms
$t_{VS,UV}$	VS undervoltage filter time			32		$\mu$ s
$t_{DIN\_FT}^{(1)}$	DIN Filter time			32		$\mu$ s
$t_{DIN\_ST}$	DIN status information time			12.8		$\mu$ s
$t_{SKEW}$	Timing skew for DIN				2.5	$\mu$ s
$t_{VSPI\_FT}$	VSPI Filtering Time			32		$\mu$ s
$t_{WAKE\_UP}$	Time for a complete wake up ( $V_{3V3} > V_{POR\_L}$ )	CSN low or DIN high for $t > t_{WAKEUP}$ Cap on V3V3 = 4.7 $\mu$ F $V_{3V3} > 3$ V		190		$\mu$ s
$t_{STDBY}$	Time needed for a transition to standby mode ( $V_{3V3} < V_{POR\_L}$ )	DIN low Cap on V3V3 = 4.7 $\mu$ F $V_{3V3} < 2.5$ V		1.6		ms
$t_{OVT}$	Filtering time for overtemperature (OVT bit will be set if $T_j > T_{TSD}$ for more than $t_{OVT}$ )	guaranteed by frequency oscillator (20 MHz typical) and scan		1.2		$\mu$ s
$t_{BST\_OVP}$	BST_OVP flag set filtering time			32		$\mu$ s
$t_{BST\_OVP\_RST}$	BST_OVP flag reset filtering time			10		ms
$t_{BOOST\_FB\_FAIL}$	BST_FB_FAIL flag set filtering time			1.6		$\mu$ s

1. Digital timings guaranteed by scan. WD and autorestart timings limits added to give indication on application cases.

## 7 Package and PCB thermal data

### 7.1 QFN-40L 6x6 thermal data

Figure 15. QFN-40L 6x6 on four-layers PCB

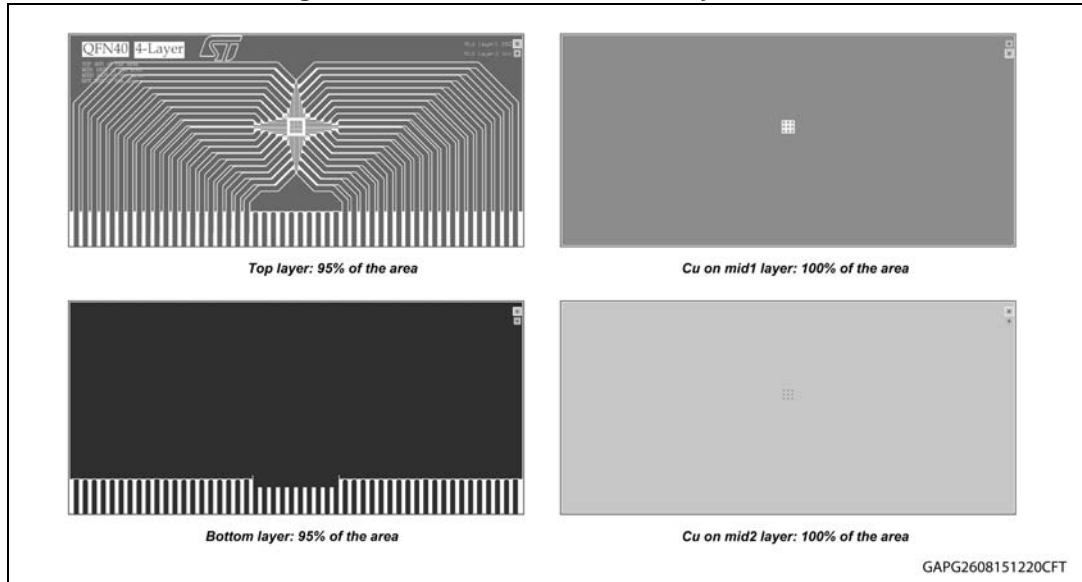


Table 47. PCB properties

Dimension	Value
Board finish thickness	1.6 mm +/- 10%
Board dimension	129 mm x 60 mm
Board Material	FR4
Copper thickness (outer layers)	0.070 mm
Copper thickness (inner layers)	0.035 mm
Thermal vias separation	1.2 mm
Thermal via diameter	0.3 mm +/- 0.08 mm
Copper thickness on vias	0.025 mm

## 8 Package information

In order to meet environmental requirements, ST offers these devices in different grades of ECOPACK<sup>®</sup> packages, depending on their level of environmental compliance. ECOPACK<sup>®</sup> specifications, grade definitions and product status are available at: [www.st.com](http://www.st.com).

ECOPACK<sup>®</sup> is an ST trademark.

### 8.1 QFN-40L 6x6 package information

Figure 16. QFN-40L 6x6 package dimensions

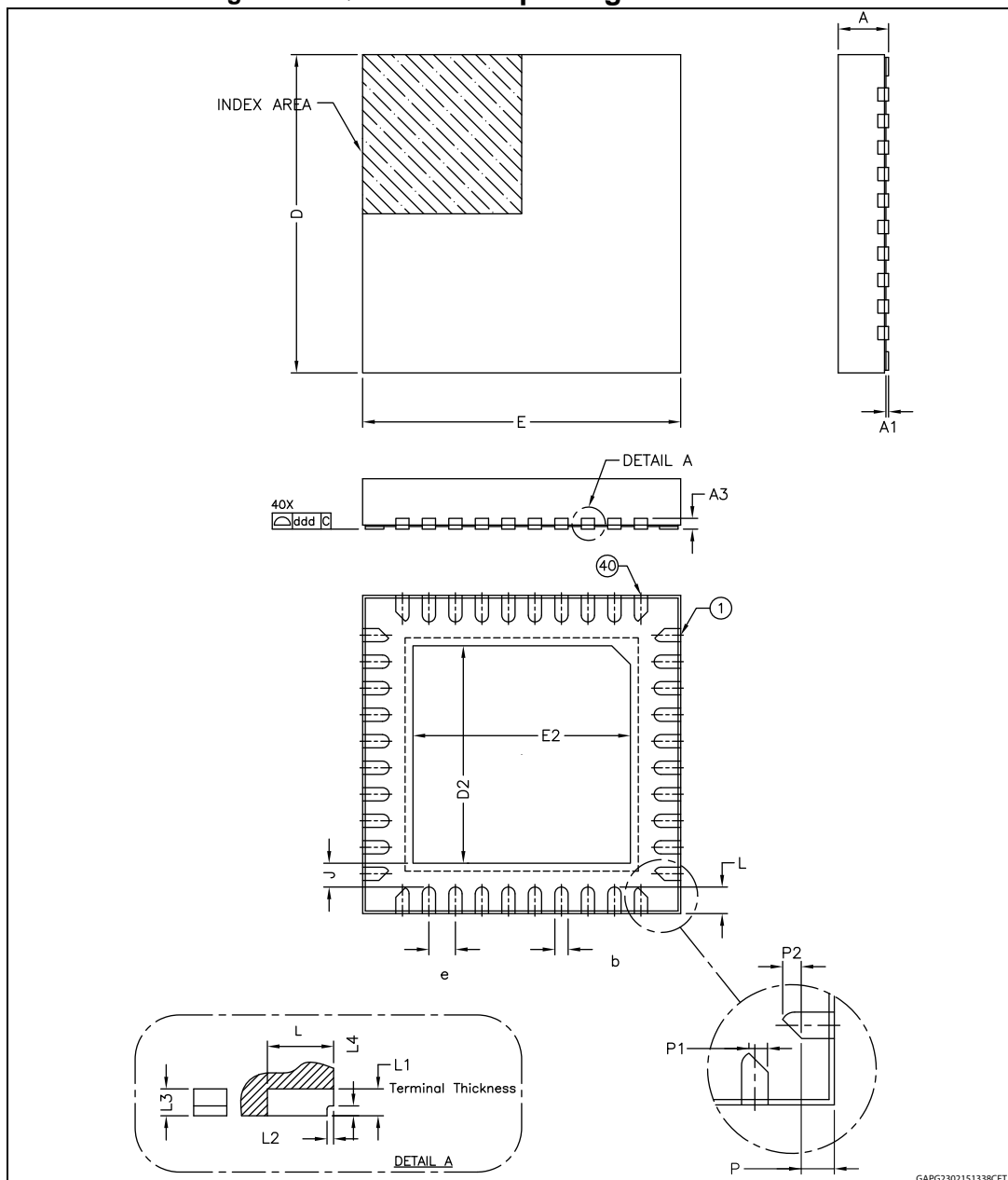


Table 48. QFN-40L 6x6 mechanical data

Symbol	Min	Typ	Max
A	0.85	0.95	1.05
A1	0		0.05
A3		0.20	
b	0.20	0.25	0.30
D	5.85	6.00	6.15
E	5.85	6.00	6.15
D2	3.95	4.10	4.25
E2	3.95	4.10	4.25
e		0.50	
J		0.45	
L	0.40	0.50	0.60
L1		0.20	
L2		0.05	
L3		0.20	
L4		0.075	
P		0.31	
P1		0.18	
P2		0.18	
ddd		0.08	

## 9 Order codes

**Table 49. Device summary**

Package	Order code	
	Tube	Tape and reel
QFN-40L 6x6	L99LD21Q6	L99LD21Q6TR

## Appendix A Glossary

**Table 50. Glossary**

Acronym	Description
μC	Microcontroller
ADC	Analog / Digital converter
ASSP	Application Specific Standard Product
CPHA	Clock Phase
CPOL	Clock Polarity
CSN	Chip select not (normal low) (SPI)
CTRL	Control register
FE	Functional Error
FS	Fail Safe
GE	Device Error
GSB	Global Status Byte
GSBN	Global Status Bit Not
GW	Global Warning
I/O	Input /Output pins
DIN	Direct input
LH	Limp Home
LSB	Least Significant Bit
MCU	Mirocontroller
SDI	SPI Data Input (slave)
SDO	SPI Data Onput (slave)
MSB	Most Significant Bit

## Revision history

**Table 51. Document revision history**

Date	Revision	Changes
03-Jul-2015	1	Initial release.
28-Sep-2015	2	<p>Updated <i>Features</i> and <i>Description</i></p> <p>Updated following sections:</p> <ul style="list-style-type: none"> <li>– <i>Chapter 1: Introduction</i></li> <li>– <i>Section 1.1: Typical application</i></li> <li>– <i>Section 2.3: Output voltage setting</i></li> <li>– <i>Section 2.4: Overvoltage protection</i></li> </ul> <p>Added <i>Section 2.5: Feedback failure protection</i></p> <p>Updated following sections:</p> <ul style="list-style-type: none"> <li>– <i>Section 2.6: Operation in dual phase interleaved mode</i></li> <li>– <i>Section 2.7: Soft start</i></li> <li>– <i>Section 2.8: Slope compensation</i></li> <li>– <i>Section 2.9: Operation together with the buck converters</i></li> <li>– <i>Section 3.1: General description</i></li> <li>– <i>Section 3.3: Peak and average current setting</i></li> <li>– <i>Section 3.4: Buck converter's blank time</i></li> <li>– <i>Section 3.5: Buck converter's start-up</i></li> <li>– <i>Section 3.6: Switching frequency</i></li> <li>– <i>Section 4.1: Operating modes</i></li> <li>– <i>Section 4.1.4: Limp home</i></li> <li>– <i>Section 4.2.2: PWM dimming</i></li> <li>– <i>Section 4.3.1: Temperature warning</i></li> <li>– <i>Section 4.3.2: Overtemperature shutdown</i></li> </ul> <p>Added following sections:</p> <ul style="list-style-type: none"> <li>– <i>Section 4.3.4: Buck <math>T_{ON}</math> minimum operation</i></li> <li>– <i>Section 4.3.6: Buck <math>T_{ON}</math> maximum operation</i></li> <li>– <i>Section 4.3.7: Buck Open Load detection</i></li> </ul> <p>Removed "Open load" section</p> <p>Updated following sections:</p> <ul style="list-style-type: none"> <li>– <i>Chapter 5: SPI functional description</i></li> <li>– <i>Section 6.1: Absolute maximum ratings</i></li> <li>– <i>Chapter 6.3: Thermal characteristics</i></li> <li>– <i>Chapter 6.4: Electrical characteristics</i></li> </ul> <p>Added <i>Chapter 7: Package and PCB thermal data</i></p> <p>Added <i>Section 8.1: QFN-40L 6x6 package information</i></p> <p>Updated <i>Chapter 9: Order codes</i></p>

Table 51. Document revision history (continued)

Date	Revision	Changes
13-Mar-2018	3	<p>Datasheet status promoted from preliminary data to production data.  Removed in cover page the image of the TQFP-48 package.  Updated:</p> <ul style="list-style-type: none"> <li>– Features and description in cover page;</li> <li>– <i>Section 1: Introduction on page 8;</i></li> <li>– <i>Figure 1: Functional block diagram on page 9;</i></li> <li>– <i>Figure 2: Typical application schematic on page 10</i></li> <li>– <i>added Figure 3: Application diagram on page 10;</i></li> <li>– <i>removed TQFP48 connection diagram;</i></li> <li>– <i>removed column “TQFP48” on Table 1: Pin functionality;</i></li> <li>– <i>Section 2.5: Feedback failure protection;</i></li> <li>– <i>Section 2.7: Soft start;</i></li> <li>– <i>Section 3.1: General description on page 18;</i></li> <li>– <i>Section 3.3: Peak and average current setting</i></li> <li>– <i>Section 4.1.1: Standby mode;</i></li> <li>– <i>Section 4.1.2: Pre-standby mode;</i></li> <li>– <i>Section 4.2.2: PWM dimming</i></li> <li>– <i>Table 13: ROM memory map;</i></li> <li>– <i>Section 5.4.1: Control Register description;</i></li> <li>– <i>Section 5.4.2: Status Register description;</i></li> <li>– <i>Section 5.4.3: Customer test and trimming registers description;</i></li> <li>– <i>Section 5.4.4: Customer test and trimming procedure description;</i></li> <li>– <i>Section 6: Electrical specifications</i></li> <li>– <i>removed “TQFP-48L thermal data” in Section 7: Package and PCB thermal data;</i></li> <li>– <i>removed “TQFP-48L package information” in Section 8: Package information;</i></li> <li>– <i>removed reference to TQFP48 package in Section 9: Order codes.</i></li> </ul>
10-May-2018	4	Updated equation in <i>Section 2.3: Output voltage setting</i> . Updated <i>Table 37</i> .
25-Jul-2018	5	Updated <a href="#">Figure 9: Device state diagram</a> .

**L99LD21**

---

**IMPORTANT NOTICE – PLEASE READ CAREFULLY**

STMicroelectronics NV and its subsidiaries ("ST") reserve the right to make changes, corrections, enhancements, modifications, and improvements to ST products and/or to this document at any time without notice. Purchasers should obtain the latest relevant information on ST products before placing orders. ST products are sold pursuant to ST's terms and conditions of sale in place at the time of order acknowledgement.

Purchasers are solely responsible for the choice, selection, and use of ST products and ST assumes no liability for application assistance or the design of Purchasers' products.

No license, express or implied, to any intellectual property right is granted by ST herein.

Resale of ST products with provisions different from the information set forth herein shall void any warranty granted by ST for such product.

ST and the ST logo are trademarks of ST. All other product or service names are the property of their respective owners.

Information in this document supersedes and replaces information previously supplied in any prior versions of this document.

© 2018 STMicroelectronics – All rights reserved



## OUR CERTIFICATE

DiGi provide top-quality products and perfect service for customer worldwide through standardization, technological innovation and continuous improvement. DiGi through third-party certification, we stricly control the quality of products and services. Welcome your RFQ to

Email: [Info@DiGi-Electronics.com](mailto:Info@DiGi-Electronics.com)



Tel: +00 852-30501935

RFQ Email: [Info@DiGi-Electronics.com](mailto:Info@DiGi-Electronics.com)

DiGi is a global authorized distributor of electronic components.