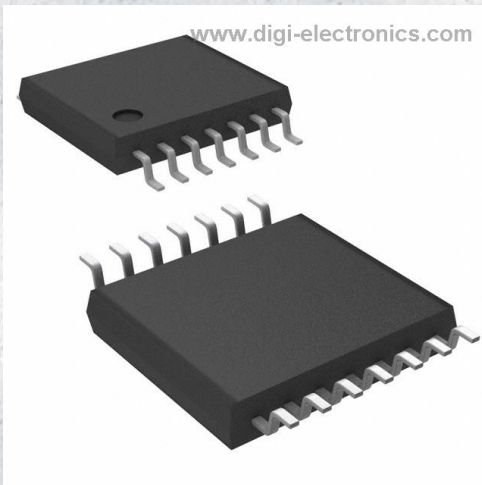


LM239APT Datasheet



<https://www.DiGi-Electronics.com>

| | |
|------------------------------|---|
| DiGi Electronics Part Number | LM239APT-DG |
| Manufacturer | STMicroelectronics |
| Manufacturer Product Number | LM239APT |
| Description | IC COMPARATOR 4 GEN PUR 14TSSOP |
| Detailed Description | Comparator General Purpose CMOS, DTL, ECL, MOS , Open-Collector, TTL 14-TSSOP |

This model LM239APT is available at DiGi Electronics.

DiGi Electronics offers a global database of semiconductor and electronic component datasheets.

We welcome your inquiries regarding pricing, lead time, or other product-related questions.

 [Request a Quote](#)

 [Datasheet Search](#)



Tel: +00 852-30501935

RFQ Email: Info@DiGi-Electronics.com

DiGi is a global authorized distributor of electronic components.

Purchase and inquiry

Manufacturer Product Number:

LM239APT

Series:

-

Type:

General Purpose

Output Type:

CMOS, DTL, ECL, MOS, Open-Collector, TTL

Voltage - Input Offset (Max):

2mV @ 30V

Current - Output (Typ):

16mA @ 5V

CMRR, PSRR (Typ):

-

Hysteresis:

-

Package / Case:

14-TSSOP (0.173", 4.40mm Width)

Supplier Device Package:

14-TSSOP

Manufacturer:

STMicroelectronics

Product Status:

Active

Number of Elements:

4

Voltage - Supply, Single/Dual (±):

2V ~ 32V, ±1V ~ 16V

Current - Input Bias (Max):

0.1µA @ 5V

Current - Quiescent (Max):

2mA

Propagation Delay (Max):

-

Operating Temperature:

-40°C ~ 105°C

Mounting Type:

Surface Mount

Base Product Number:

LM239

Environmental & Export classification

RoHS Status:

ROHS3 Compliant

REACH Status:

REACH Unaffected

HTSUS:

8542.39.0001

Moisture Sensitivity Level (MSL):

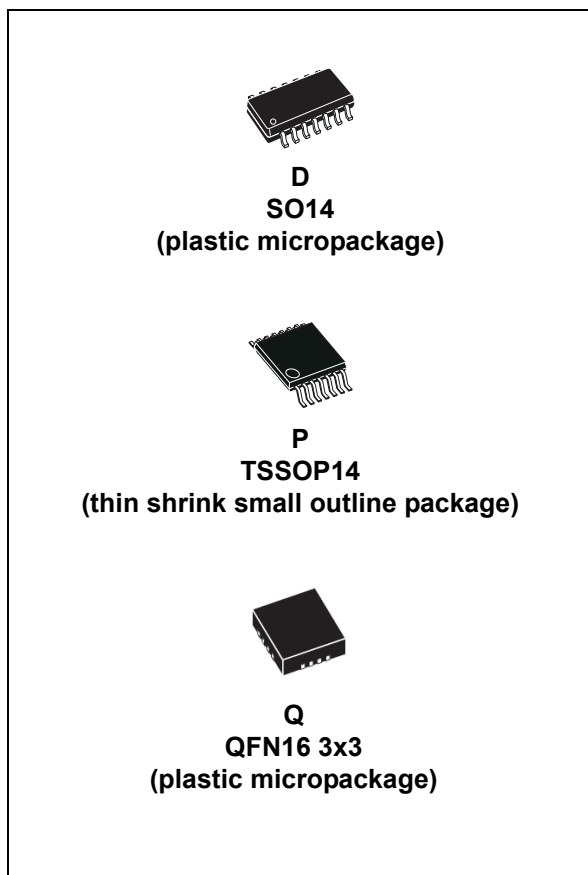
1 (Unlimited)

ECCN:

EAR99

Low-power quad voltage comparators

Datasheet - production data



Features

- Wide single supply voltage range or dual supplies for all devices: +2 to +36 V or ± 1 V to ± 18 V
- Very low supply current (1.1 mA) independent of supply voltage
- Low input bias current: 25 nA typ
- Low input offset current: ± 5 nA typ
- Low input offset voltage: ± 1 mV typ
- Input common-mode voltage range includes ground
- Low output saturation voltage: 250 mV typ; ($I_{SINK} = 4$ mA)
- Differential input voltage range equal to the supply voltage
- TTL, DTL, ECL, MOS, CMOS compatible outputs

Description

This family of devices consists of four independent precision-voltage comparators with an offset voltage specification as low as 2 mV maximum for LM339A, LM239A, and LM139A. Each comparator has been designed specifically to operate from a single power supply over a wide range of voltages. Operation from split power supplies is also possible.

These comparators also have a unique characteristic in that the input common mode voltage range includes ground even though operated from a single power supply voltage.

Contents

| | | |
|----------|--|-----------|
| 1 | Pin and schematic diagram | 3 |
| 2 | Absolute maximum ratings and operating conditions | 4 |
| 3 | Electrical characteristics | 6 |
| 4 | Electrical characteristics curves | 8 |
| 5 | Typical applications | 9 |
| 6 | Package information | 12 |
| 6.1 | SO14 package information | 13 |
| 6.2 | TSSOP14 package information | 14 |
| 6.3 | QFN16 3x3 package information | 15 |
| 7 | Ordering information | 17 |
| 8 | Revision history | 18 |

1 Pin and schematic diagram

Figure 1. Pin connections (top view)

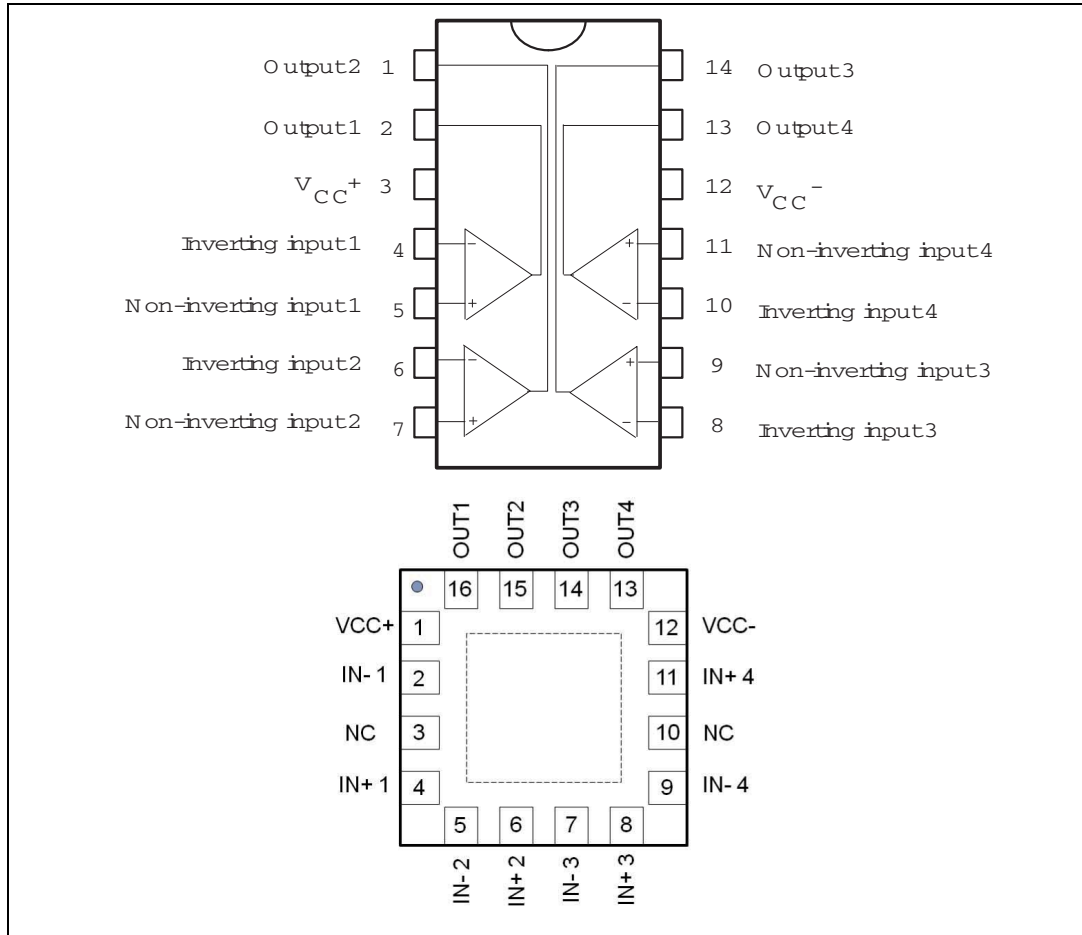
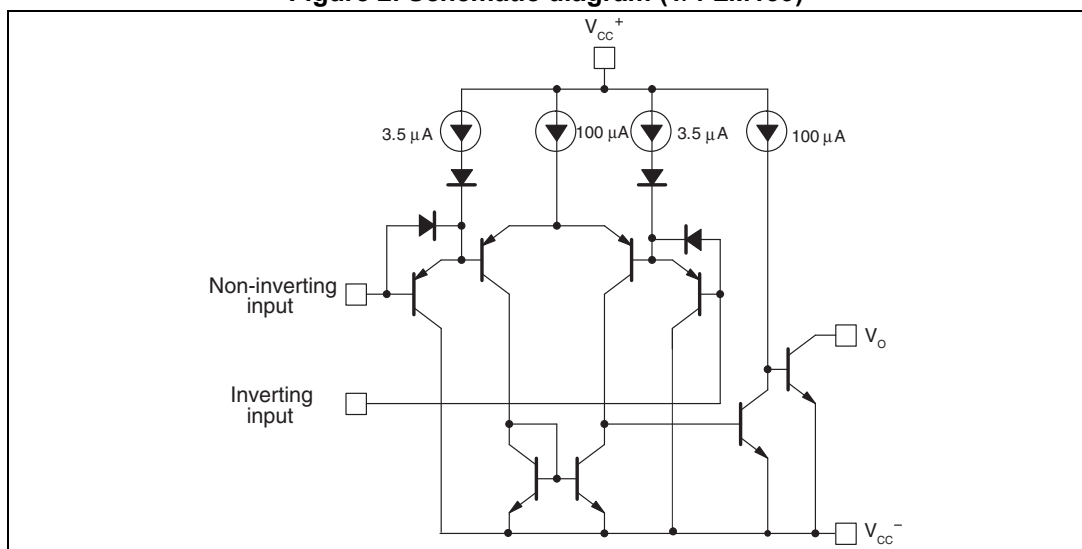


Figure 2. Schematic diagram (1/4 LM139)



2 Absolute maximum ratings and operating conditions

Table 1. Absolute maximum ratings

| Symbol | Parameter | Value | Unit |
|------------|---|----------------|------|
| V_{CC} | Supply voltage | ± 18 or 36 | V |
| V_{ID} | Differential input voltage | ± 36 | V |
| V_{IN} | Input voltage | -0.3 to +36 | V |
| | Output short-circuit to ground ⁽¹⁾ | Infinite | |
| R_{thja} | Thermal resistance junction to ambient ⁽²⁾ | | °C/W |
| | SO14 | 105 | |
| | TSSOP14 QFN16 3x3 | 100 45 | |
| R_{thjc} | Thermal resistance junction to case ⁽²⁾ | | °C/W |
| | SO14 | 31 | |
| | TSSOP14 QFN16 3x3 | 32 14 | |
| T_{stg} | Storage temperature range | -65 to +150 | °C |
| T_j | Junction temperature | +150 | °C |
| T_{LEAD} | Lead temperature (soldering 10 seconds) | 260 | °C |
| ESD | Human body model (HBM) ⁽³⁾ | 500 | V |
| | Machine model (MM) ⁽⁴⁾ | 100 | |
| | Charged device model (CDM) ⁽⁵⁾ | 1500 | |

- Short-circuits from the output to V_{CC}^+ can cause excessive heating and eventual destruction. The maximum output current is approximately 20 mA independent of the magnitude of V_{CC}^+ .
- Short-circuits can cause excessive heating. These values are typical.
- Human body model: a 100 pF capacitor is charged to the specified voltage, then discharged through a 1.5 k Ω resistor between two pins of the device. This is done for all couples of connected pin combinations while the other pins are floating.
- Machine model: a 200 pF capacitor is charged to the specified voltage, then discharged directly between two pins of the device with no external series resistor (internal resistor < 5 Ω). This is done for all couples of connected pin combinations while the other pins are floating.
- Charged device model: all pins and the package are charged together to the specified voltage and then discharged directly to the ground through only one pin. This is done for all pins.

Table 2. Operating conditions ($T_{amb} = 25\text{ °C}$)

| Symbol | Parameter | Value | Unit |
|------------|---|----------------------------------|------|
| V_{CC} | Supply voltage | 2 to 32 ± 1 to ± 16 | V |
| V_{ICM} | Common mode input voltage range | 0 to ($V_{CC}^+ - 1.5$) | V |
| T_{oper} | Operating free-air temperature range – LM139, LM139A – LM239, LM239A – LM339, LM339A | -55, +125 -40, +105 0, +70 | °C |

3 Electrical characteristics

Table 3. Electrical characteristics at $V_{CC}^+ = +5\text{ V}$, $V_{CC}^- = \text{GND}$, $T_{\text{amb}} = +25\text{ °C}$ (unless otherwise specified)

| Symbol | Parameter | LM139A - LM239A LM339A | | | LM139 - LM239 LM339 | | | Unit |
|------------|---|---------------------------|------------|------------------------------------|------------------------|------------|------------------------------------|---------------------|
| | | Min. | Typ. | Max. | Min. | Typ. | Max. | |
| V_{IO} | Input offset voltage ⁽¹⁾ $T_{\text{min}} \leq T_{\text{amb}} \leq T_{\text{max}}$ | | 1 | 2 4 | | 1 | 5 9 | mV |
| I_{IO} | Input offset current $T_{\text{min}} \leq T_{\text{amb}} \leq T_{\text{max}}$ | | 3 | 25 100 | | 5 | 50 150 | nA |
| I_{IB} | Input bias current (I^+ or I^-) ⁽²⁾ $T_{\text{min}} \leq T_{\text{amb}} \leq T_{\text{max}}$ | | 25 | 100 300 | | 25 | 250 400 | nA |
| A_{VD} | Large signal voltage gain $V_{CC} = 15\text{ V}$, $R_L = 15\text{ k}\Omega$, $V_o = 1\text{ V}$ to 11 V | 50 | 200 | | 50 | 200 | | V/mV |
| I_{CC} | Supply current (all comparators) $V_{CC} = +5\text{ V}$, no load $V_{CC} = +30\text{ V}$, no load | | 1.1 1.3 | 2 2.5 | | 1.1 1.3 | 2 2.5 | mA |
| V_{ICM} | Input common mode voltage range ⁽³⁾ $V_{CC} = 30\text{ V}$ $T_{\text{min}} \leq T_{\text{amb}} \leq T_{\text{max}}$ | 0 0 | | $V_{CC}^+ - 1.5$ $V_{CC}^+ - 2$ | 0 0 | | $V_{CC}^+ - 1.5$ $V_{CC}^+ - 2$ | V |
| V_{ID} | Differential input voltage ⁽⁴⁾ | | | V_{CC}^+ | | | V_{CC}^+ | V |
| V_{OL} | Low level output voltage $V_{ID} = -1\text{ V}$, $I_{SINK} = 4\text{ mA}$ $T_{\text{min}} \leq T_{\text{amb}} \leq T_{\text{max}}$ | | 250 | 400 700 | | 250 | 400 700 | mV |
| I_{OH} | High level output current $V_{CC} = V_o = 30\text{ V}$, $V_{ID} = 1\text{ V}$ $T_{\text{min}} \leq T_{\text{amb}} \leq T_{\text{max}}$ | | 0.1 | 1 | | 0.1 | 1 | nA μA |
| I_{SINK} | Output sink current $V_{ID} = 1\text{ V}$, $V_o = 1.5\text{ V}$ | 6 | 16 | | 6 | 16 | | mA |
| t_{re} | Response time ⁽⁵⁾ $R_L = 5.1\text{ k}\Omega$ connected to V_{CC}^+ | | 1.3 | | | 1.3 | | μs |

**Table 3. Electrical characteristics at $V_{CC}^+ = +5\text{ V}$, $V_{CC}^- = \text{GND}$, $T_{\text{amb}} = +25\text{ °C}$
(unless otherwise specified) (continued)**

| Symbol | Parameter | LM139A - LM239A LM339A | | | LM139 - LM239 LM339 | | | Unit |
|------------------|---|---------------------------|------|------|------------------------|------|------|------|
| | | Min. | Typ. | Max. | Min. | Typ. | Max. | |
| t _{rel} | Large signal response time $R_L = 5.1\text{ k}\Omega$ connected to V_{CC}^+ , $e_i = \text{TTL}$, $V_{(\text{ref})} = +1.4\text{ V}$ | | 300 | | | 300 | | ns |

1. At output switch point, $V_o \approx 1.4\text{ V}$, V_{CC}^+ from 5 V to 30 V, and over the full common-mode range (0 V to $V_{CC}^+ - 1.5\text{ V}$).
2. The direction of the input current is out of the IC due to the PNP input stage. This current is essentially constant, independent of the state of the output, so no loading charge exists on the reference of input lines.
3. The input common-mode voltage of either input signal voltage should not be allowed to go negative by more than 0.3 V. The upper end of the common-mode voltage range is $V_{CC}^+ - 1.5\text{ V}$, but either or both inputs can go to +30 V without damage.
4. Positive excursions of input voltage may exceed the power supply level. As long as the other voltage remains within the common-mode range, the comparator will provide a proper output state. The low input voltage state must not be less than -0.3 V (or 0.3 V below the negative power supply, if used).
5. The response time specified is for a 100 mV input step with 5 mV overdrive. For larger overdrive signals, 300 ns can be obtained.

4 Electrical characteristics curves

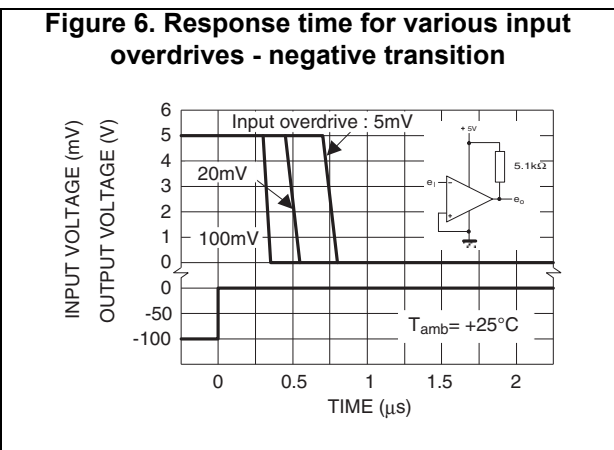
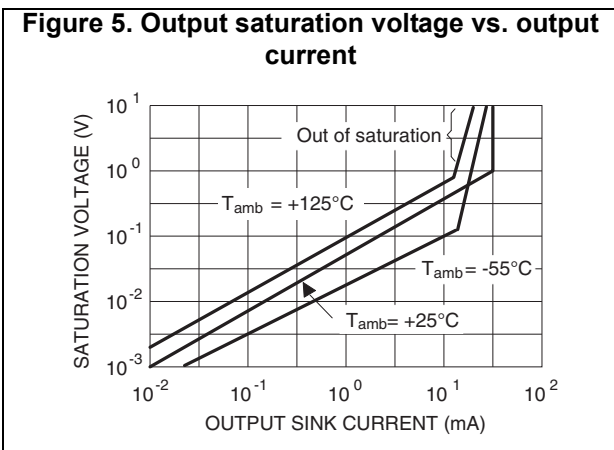
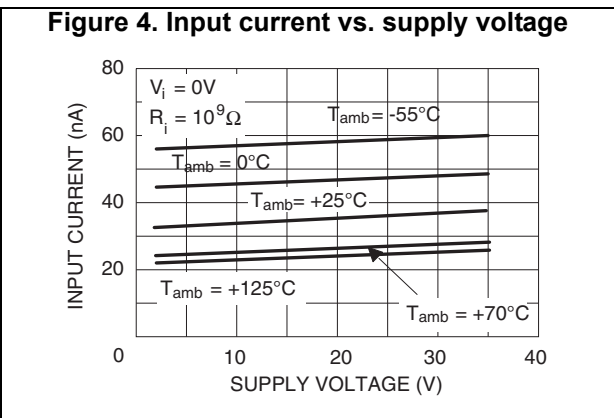
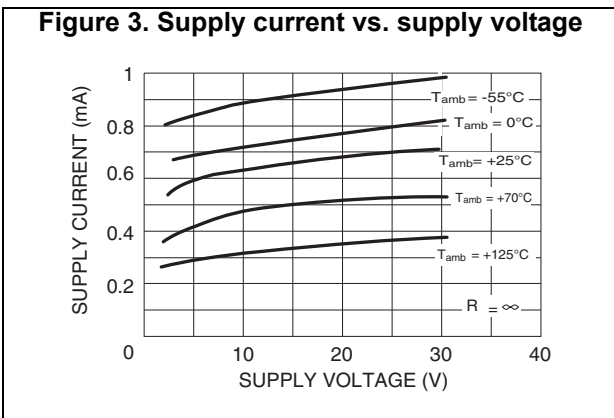
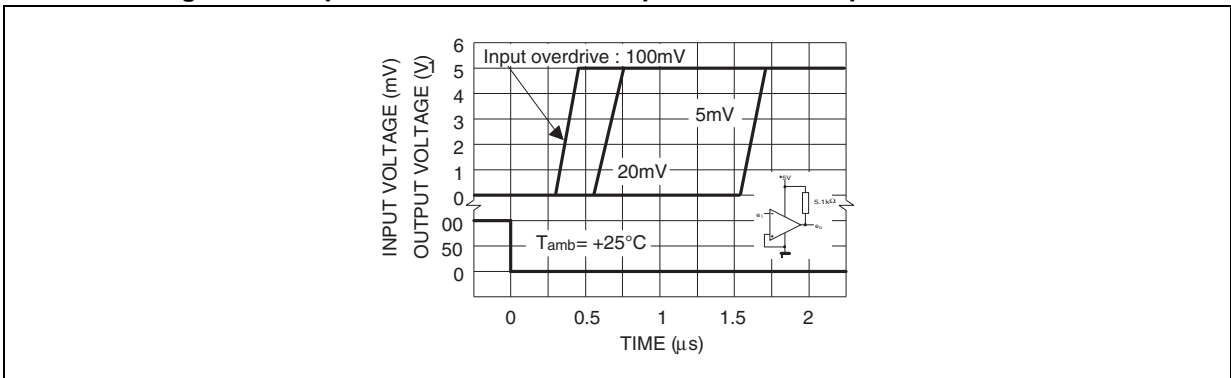


Figure 7. Response time for various input overdrives - positive transition



5 Typical applications

Figure 8. Basic comparator

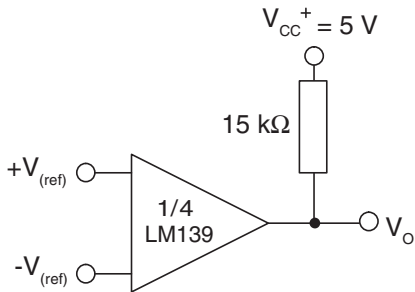


Figure 9. Driving CMOS

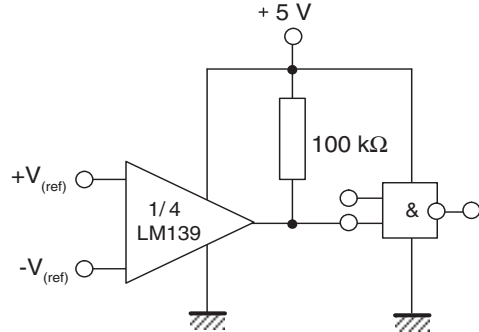


Figure 10. Driving TTL

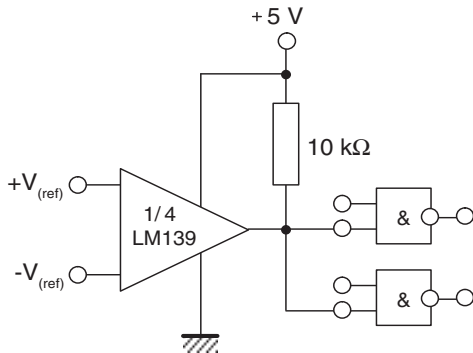


Figure 11. Low frequency op amp

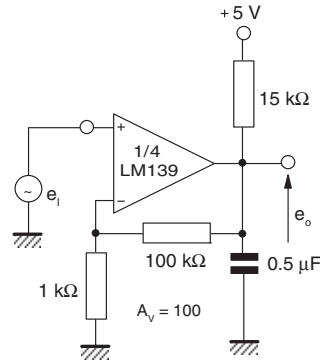


Figure 12. Low frequency op amp

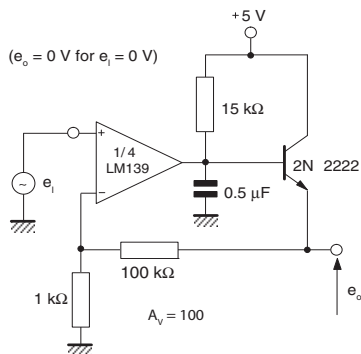


Figure 13. Transducer amplifier

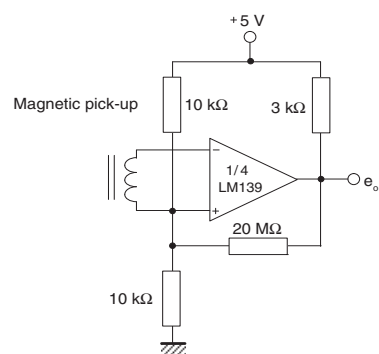


Figure 14. Time delay generator

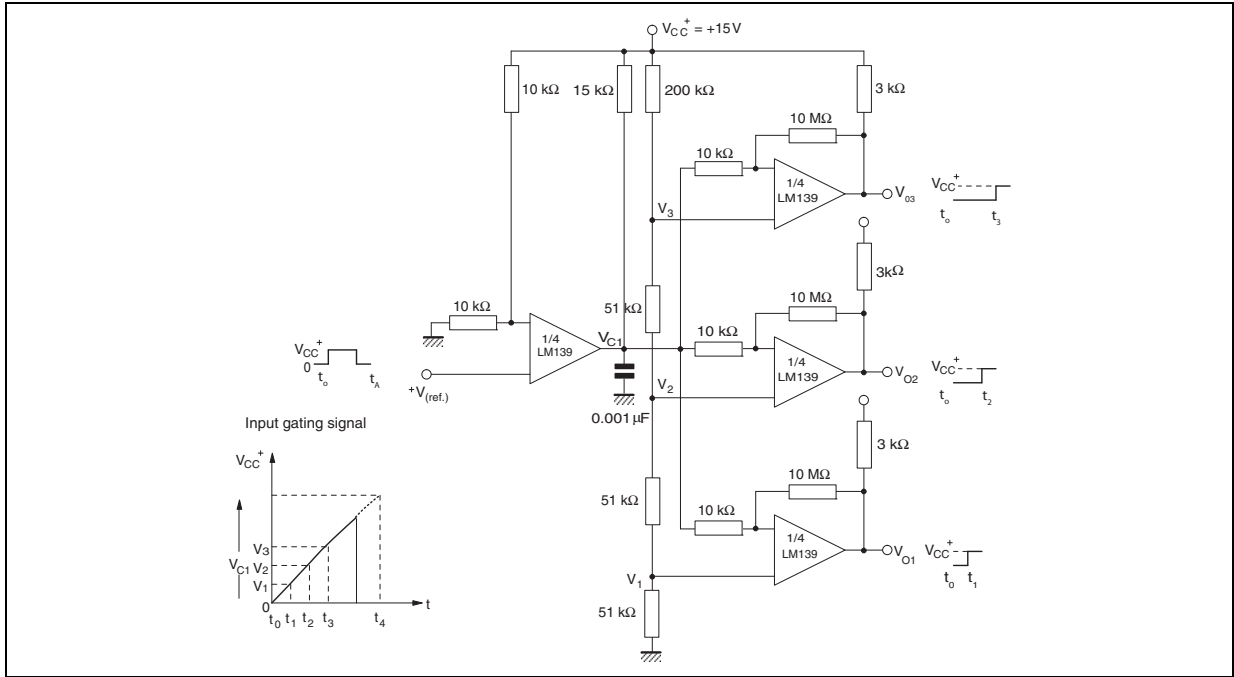


Figure 15. Low frequency op amp with offset adjust

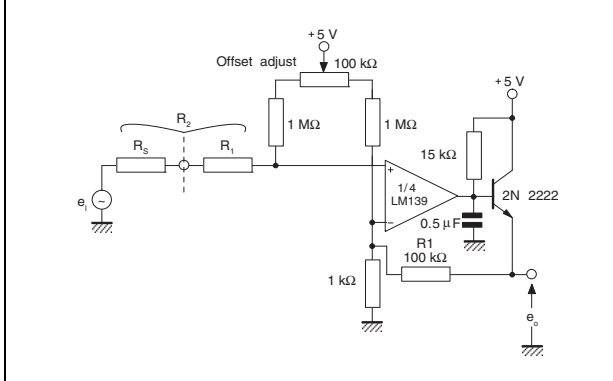


Figure 16. Zero crossing detector (single power supply)

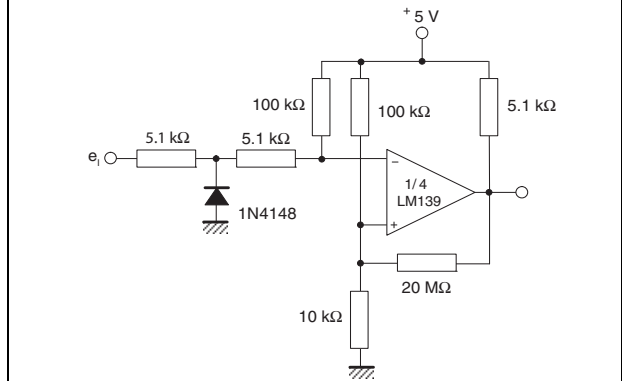
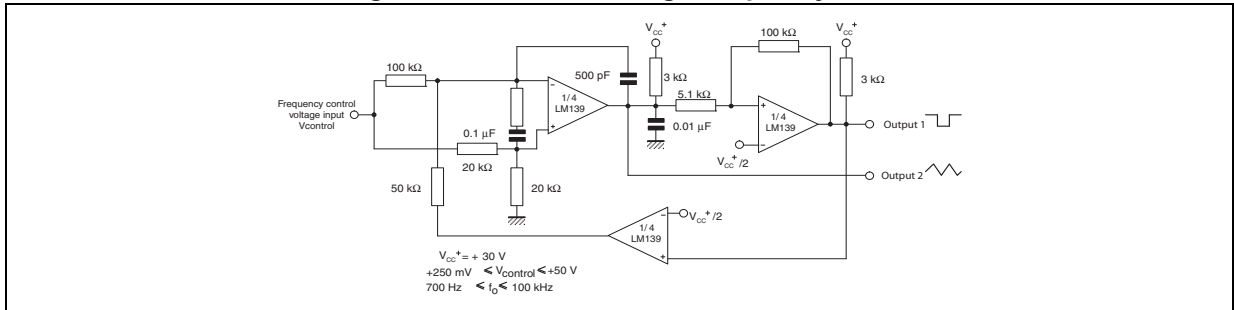
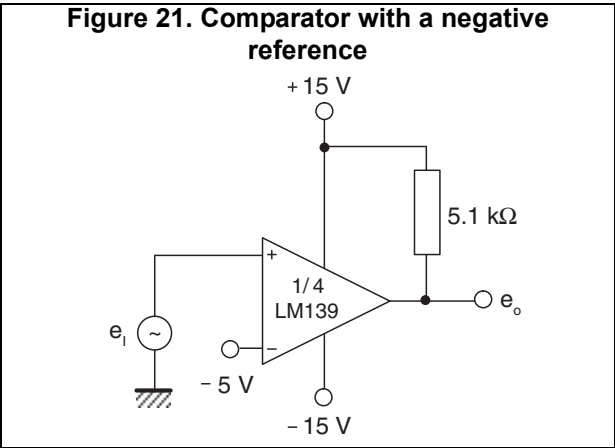
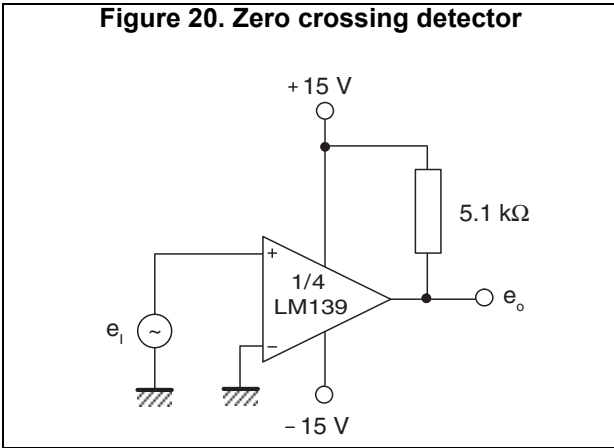
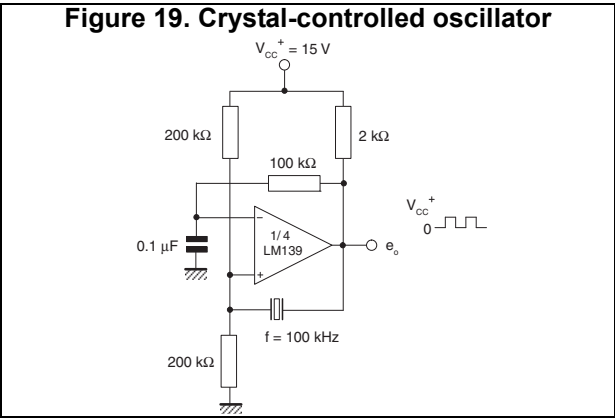
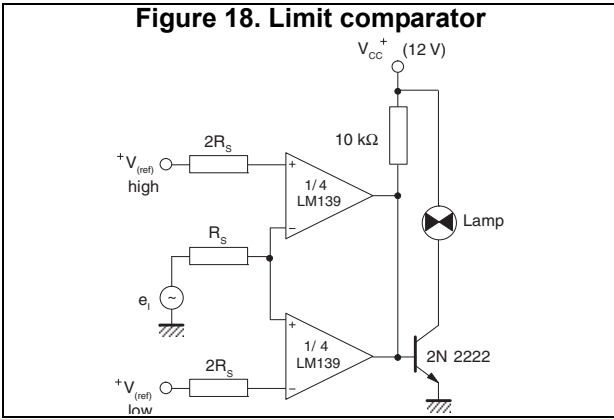


Figure 17. Two-decade high-frequency VCO





6 Package information

In order to meet environmental requirements, ST offers these devices in different grades of ECOPACK[®] packages, depending on their level of environmental compliance. ECOPACK[®] specifications, grade definitions and product status are available at: www.st.com. ECOPACK[®] is an ST trademark.

6.1 SO14 package information

Figure 22. SO14 package mechanical drawing

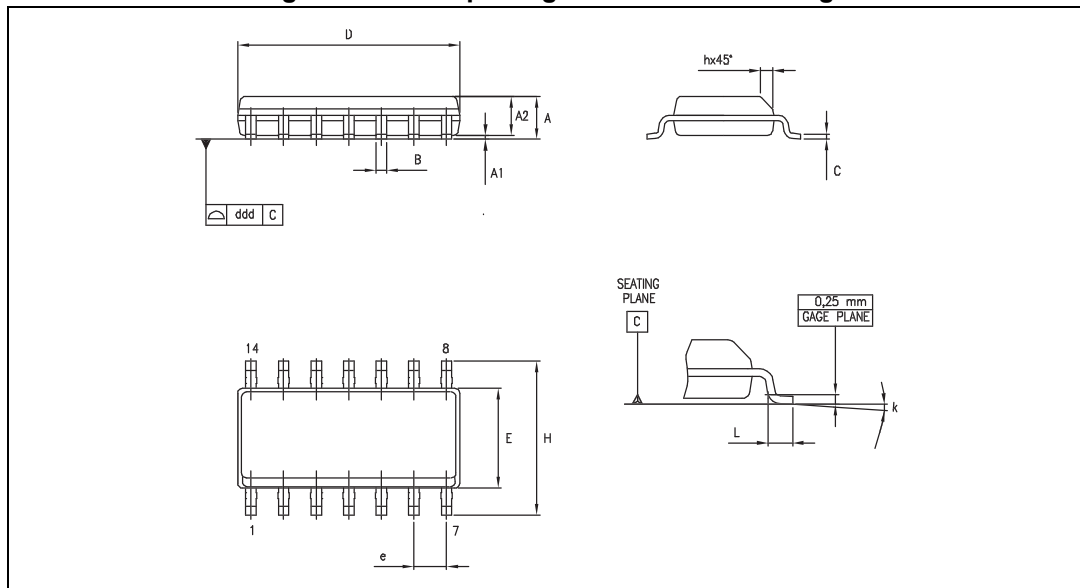


Table 4. SO14 package mechanical data

| Dimensions | | | | | | |
|------------|-------------|------|------|--------|------|-------|
| Ref. | Millimeters | | | Inches | | |
| | Min. | Typ. | Max. | Min. | Typ. | Max. |
| A | 1.35 | | 1.75 | 0.05 | | 0.068 |
| A1 | 0.10 | | 0.25 | 0.004 | | 0.009 |
| A2 | 1.10 | | 1.65 | 0.04 | | 0.06 |
| B | 0.33 | | 0.51 | 0.01 | | 0.02 |
| C | 0.19 | | 0.25 | 0.007 | | 0.009 |
| D | 8.55 | | 8.75 | 0.33 | | 0.34 |
| E | 3.80 | | 4.0 | 0.15 | | 0.15 |
| e | | 1.27 | | | 0.05 | |
| H | 5.80 | | 6.20 | 0.22 | | 0.24 |
| h | 0.25 | | 0.50 | 0.009 | | 0.02 |
| L | 0.40 | | 1.27 | 0.015 | | 0.05 |
| k | 8° (max.) | | | | | |
| ddd | | | 0.10 | | | 0.004 |

6.2 TSSOP14 package information

Figure 23. TSSOP14 package mechanical drawing

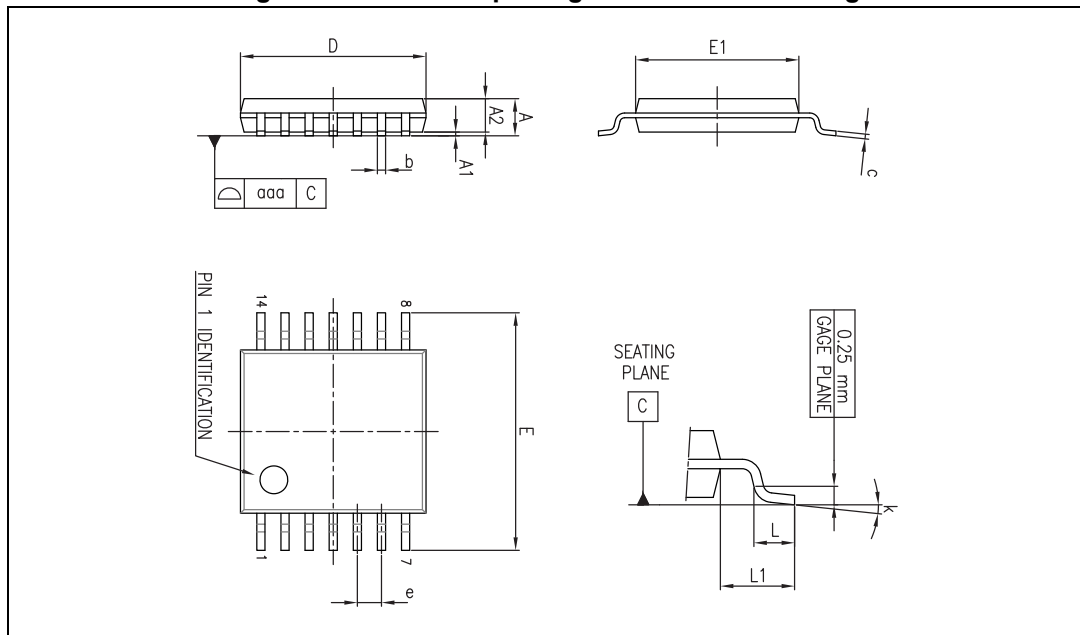


Table 5. TSSOP14 package mechanical data

| Ref. | Dimensions | | | | | |
|------|-------------|------|------|--------|--------|--------|
| | Millimeters | | | Inches | | |
| | Min. | Typ. | Max. | Min. | Typ. | Max. |
| A | | | 1.20 | | | 0.047 |
| A1 | 0.05 | | 0.15 | 0.002 | 0.004 | 0.006 |
| A2 | 0.80 | 1.00 | 1.05 | 0.031 | 0.039 | 0.041 |
| b | 0.19 | | 0.30 | 0.007 | | 0.012 |
| c | 0.09 | | 0.20 | 0.004 | | 0.0089 |
| D | 4.90 | 5.00 | 5.10 | 0.193 | 0.197 | 0.201 |
| E | 6.20 | 6.40 | 6.60 | 0.244 | 0.252 | 0.260 |
| E1 | 4.30 | 4.40 | 4.50 | 0.169 | 0.173 | 0.176 |
| e | | 0.65 | | | 0.0256 | |
| L | 0.45 | 0.60 | 0.75 | 0.018 | 0.024 | 0.030 |
| L1 | | 1.00 | | | 0.039 | |
| k | 0° | | 8° | 0° | | 8° |
| aaa | | | 0.10 | | | 0.004 |

6.3 QFN16 3x3 package information

Figure 24. QFN16 3x3 package mechanical drawing

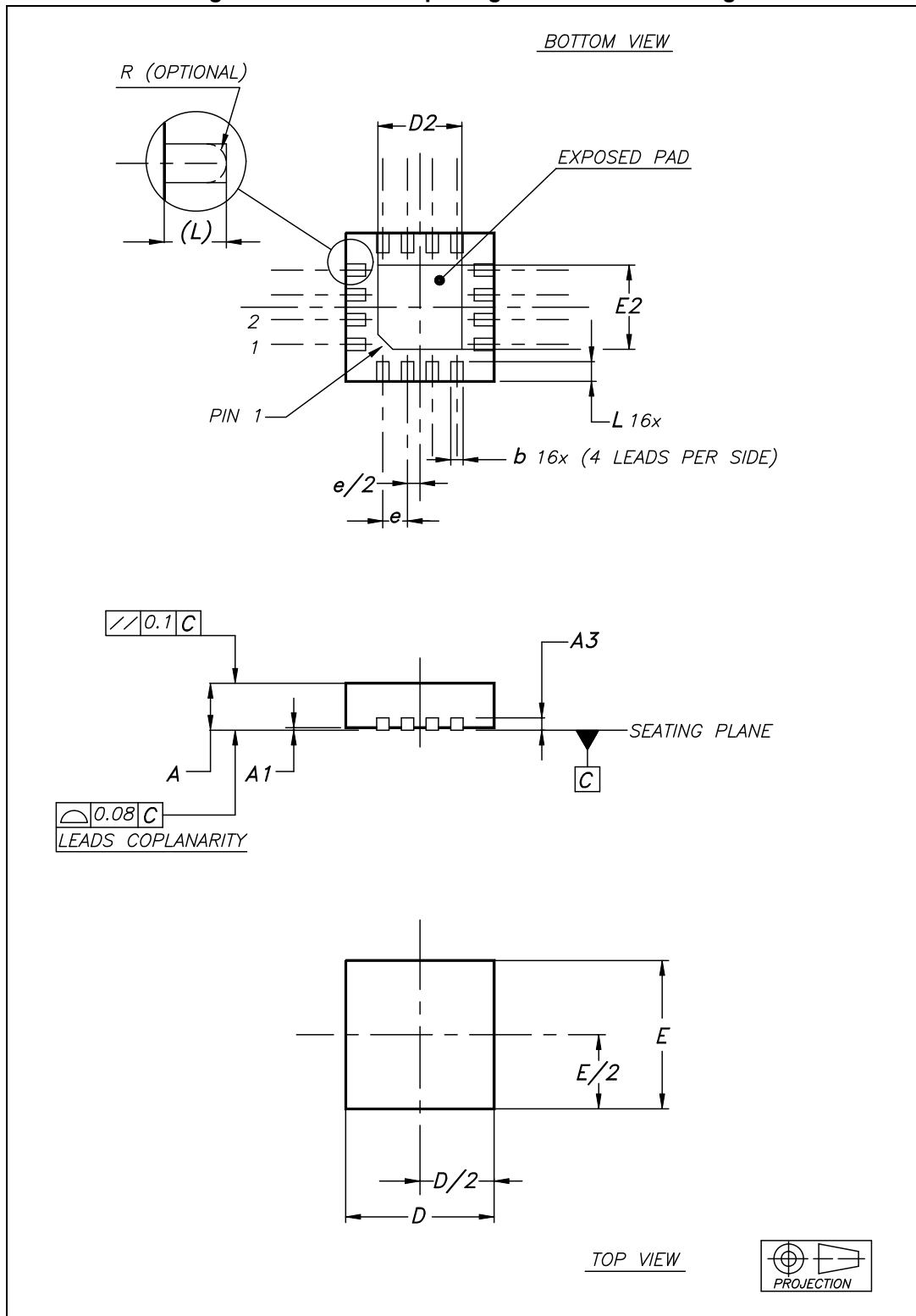
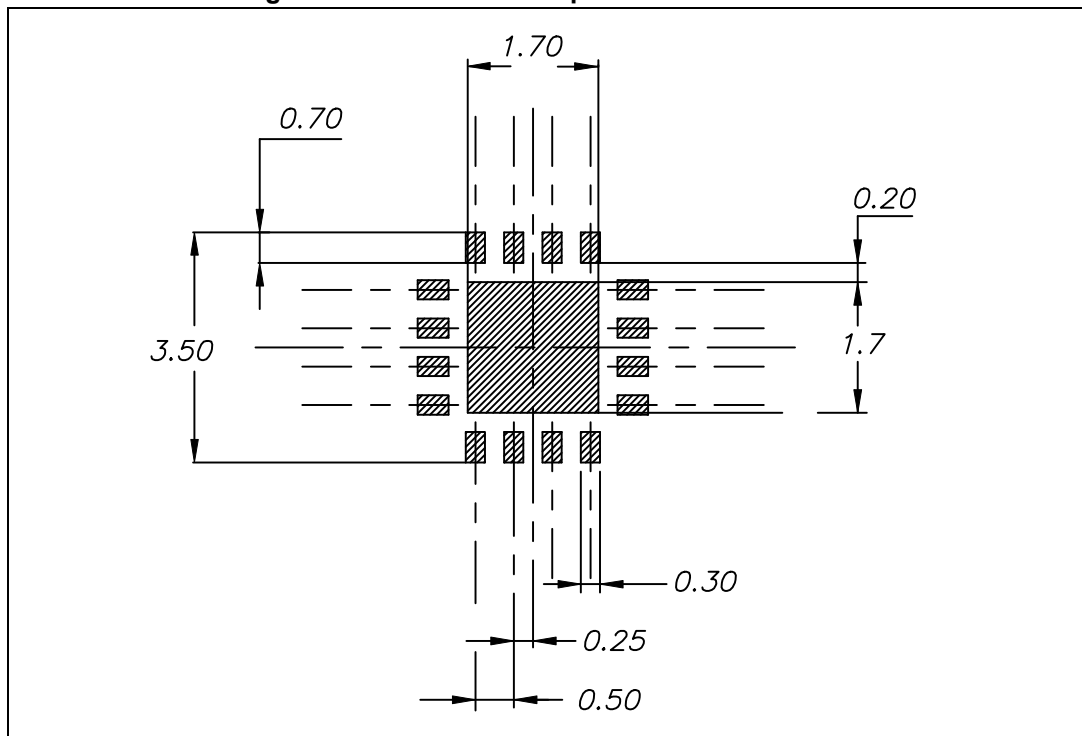


Table 6. QFN16 3x3 mm package mechanical data (pitch 0.5 mm)

| Ref. | Dimensions | | | | | |
|------|-------------|------|------|--------|-------|-------|
| | Millimeters | | | Inches | | |
| | Min. | Typ. | Max. | Min. | Typ. | Max. |
| A | 0.80 | 0.90 | 1.00 | 0.031 | 0.035 | 0.039 |
| A1 | 0 | | 0.05 | 0 | | 0.002 |
| A3 | | 0.20 | | | 0.008 | |
| b | 0.18 | | 0.30 | 0.007 | | 0.012 |
| D | 2.90 | 3.00 | 3.10 | 0.114 | 0.118 | 0.122 |
| D2 | 1.50 | | 1.80 | 0.059 | | 0.071 |
| E | 2.90 | 3.00 | 3.10 | 0.114 | 0.118 | 0.122 |
| E2 | 1.50 | | 1.80 | 0.059 | | 0.071 |
| e | | 0.50 | | | 0.020 | |
| L | 0.30 | | 0.50 | 0.012 | | 0.020 |

Figure 25. QFN16 3x3 footprint recommendation



7 Ordering information

Table 7. Order codes

| Part number | Temperature range | Package | Packing | Marking |
|---------------------|-------------------|-----------|---------------|-------------|
| LM139DT LM139ADT | -55 °C, +125 °C | SO14 | Tape and reel | 139 139A |
| LM139PT LM139APT | | TSSOP14 | | 139 139A |
| LM239DT LM239ADT | -40 °C, +105 °C | SO14 | | 239 239A |
| LM239PT LM239APT | | TSSOP14 | | 239 239A |
| LM239QT | | QFN16 3x3 | | K550 |
| LM339DT LM339ADT | 0 °C, +70 °C | SO14 | | 339 339A |
| LM339PT LM339APT | | TSSOP14 | | 339 339A |
| LM339QT | | QFN16 3x3 | | K551 |

8 Revision history

Table 8. Document revision history

| Date | Revision | Changes |
|-------------|----------|--|
| 01-Mar-2003 | 1 | Initial release. |
| 28-Apr-2009 | 2 | Updated document format. Removed power dissipation from Table 1: Absolute maximum ratings . Added R_{THJA} , R_{THJC} , ESD and T_{LEAD} values to Table 1 . Updated package information in Chapter 6 . Added Table 7: Order codes . |
| 13-Jul-2011 | 3 | Added pin connections for QFN16 package in Figure 1 on page 3 . Added thermal information for QFN16 package in Table 1 on page 4 . Added QFN16 package information in Chapter 6 . Added order codes for QFN16 package in Table 7: Order codes . |
| 18-Aug-2014 | 4 | Removed DIP14 package Table 7: Order codes : replaced the marking of the order code LM239QT from K549 to K550; removed all order codes with "tube" packing. Updated disclaimer |

LM139, LM239, LM339

IMPORTANT NOTICE – PLEASE READ CAREFULLY

STMicroelectronics NV and its subsidiaries ("ST") reserve the right to make changes, corrections, enhancements, modifications, and improvements to ST products and/or to this document at any time without notice. Purchasers should obtain the latest relevant information on ST products before placing orders. ST products are sold pursuant to ST's terms and conditions of sale in place at the time of order acknowledgement.

Purchasers are solely responsible for the choice, selection, and use of ST products and ST assumes no liability for application assistance or the design of Purchasers' products.

No license, express or implied, to any intellectual property right is granted by ST herein.

Resale of ST products with provisions different from the information set forth herein shall void any warranty granted by ST for such product.

ST and the ST logo are trademarks of ST. All other product or service names are the property of their respective owners.

Information in this document supersedes and replaces information previously supplied in any prior versions of this document.

© 2014 STMicroelectronics – All rights reserved



OUR CERTIFICATE

DiGi provide top-quality products and perfect service for customer worldwide through standardization, technological innovation and continuous improvement. DiGi through third-party certification, we stricly control the quality of products and services. Welcome your RFQ to

Email: Info@DiGi-Electronics.com



Tel: +00 852-30501935

RFQ Email: Info@DiGi-Electronics.com

DiGi is a global authorized distributor of electronic components.