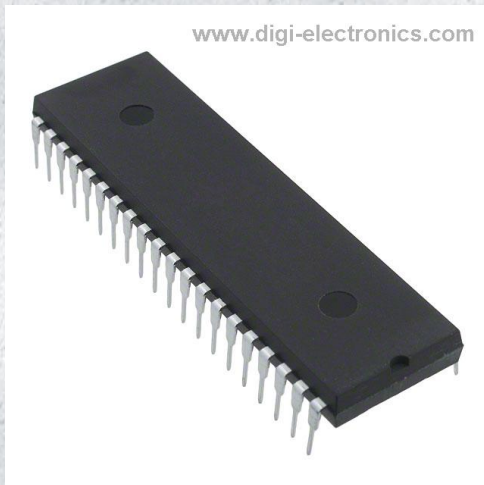


M5451B7 Datasheet



<https://www.DiGi-Electronics.com>

| | |
|------------------------------|------------------------------------|
| DiGi Electronics Part Number | M5451B7-DG |
| Manufacturer | STMicroelectronics |
| Manufacturer Product Number | M5451B7 |
| Description | IC LED DISPLAY DRIVER 40DIP |
| Detailed Description | LED Driver 40-PDIP |

This model M5451B7 is available at DiGi Electronics.

DiGi Electronics offers a global database of semiconductor and electronic component datasheets.

We welcome your inquiries regarding pricing, lead time, or other product-related questions.

 [Request a Quote](#)

 [Datasheet Search](#)



Tel: +00 852-30501935

RFQ Email: Info@DiGi-Electronics.com

DiGi is a global authorized distributor of electronic components.

Purchase and inquiry

Manufacturer Product Number:

M5451B7

Series:

-

Display Type:

LED

Interface:

Serial

Current - Supply:

7 mA

Operating Temperature:

-25°C ~ 85°C

Package / Case:

40-DIP (0.600", 15.24mm)

Base Product Number:

M5451

Manufacturer:

STMicroelectronics

Product Status:

Obsolete

Configuration:

Alphanumeric or Dot Matrix

Digits or Characters:

4 or 5 Digits

Voltage - Supply:

4.75V ~ 13.2V

Mounting Type:

Through Hole

Supplier Device Package:

40-PDIP

Environmental & Export classification

RoHS Status:

ROHS3 Compliant

REACH Status:

REACH Unaffected

HTSUS:

8542.39.0001

Moisture Sensitivity Level (MSL):

3 (168 Hours)

ECCN:

EAR99



M5450
M5451

LED DISPLAY DRIVERS

FEATURES SUMMARY

- M5450 34 OUTPUTS/15mA SINK
- M5451 35 OUTPUTS/15mA SINK
- CURRENT GENERATOR OUTPUTS (NO EXTERNAL RESISTORS REQUIRED)
- CONTINUOUS BRIGHTNESS CONTROL
- SERIAL DATA INPUT
- ENABLE (ON M5450)
- WIDE SUPPLY VOLTAGE OPERATION
- TTL COMPATIBILITY

Application Examples:

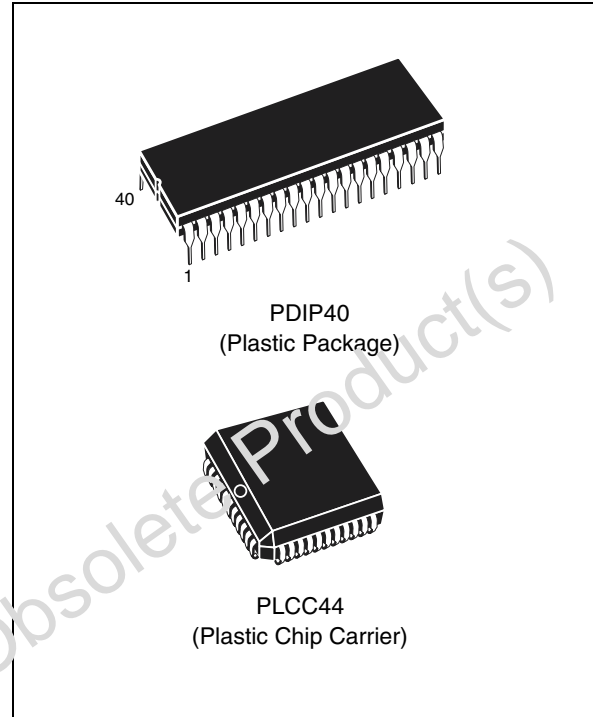
- MICROPROCESSOR DISPLAYS
- INDUSTRIAL CONTROL INDICATOR
- RELAY DRIVER
- INSTRUMENTATION READOUTS

DESCRIPTION

The M5450 and M5451 are monolithic MOS integrated circuits produced with an N-channel silicon gate technology. They are available in 40-pin dual in-line plastic packages.

A single pin controls the LED display brightness by setting a reference current through a variable resistor connected to V_{DD} or to a separate supply of 13.2V maximum.

Figure 1. Packages



M5450, M5451

Figure 2. Pin Connection

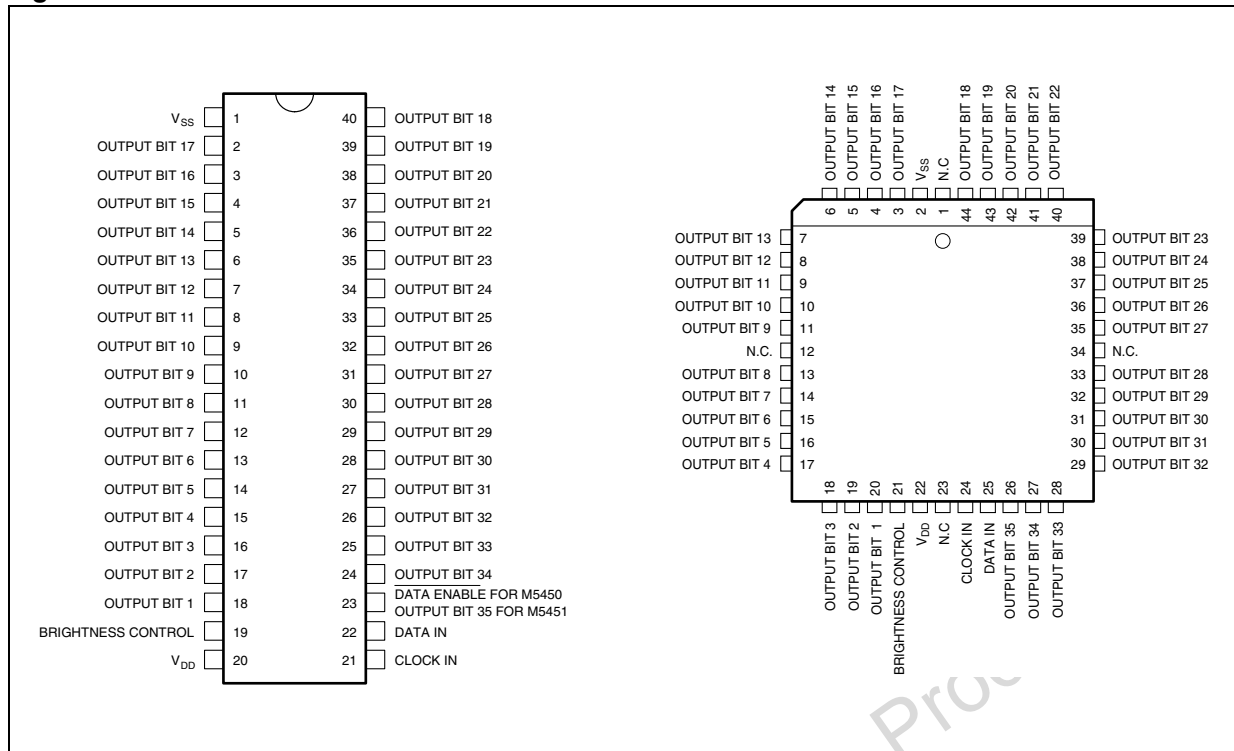


Figure 3. Block Diagram

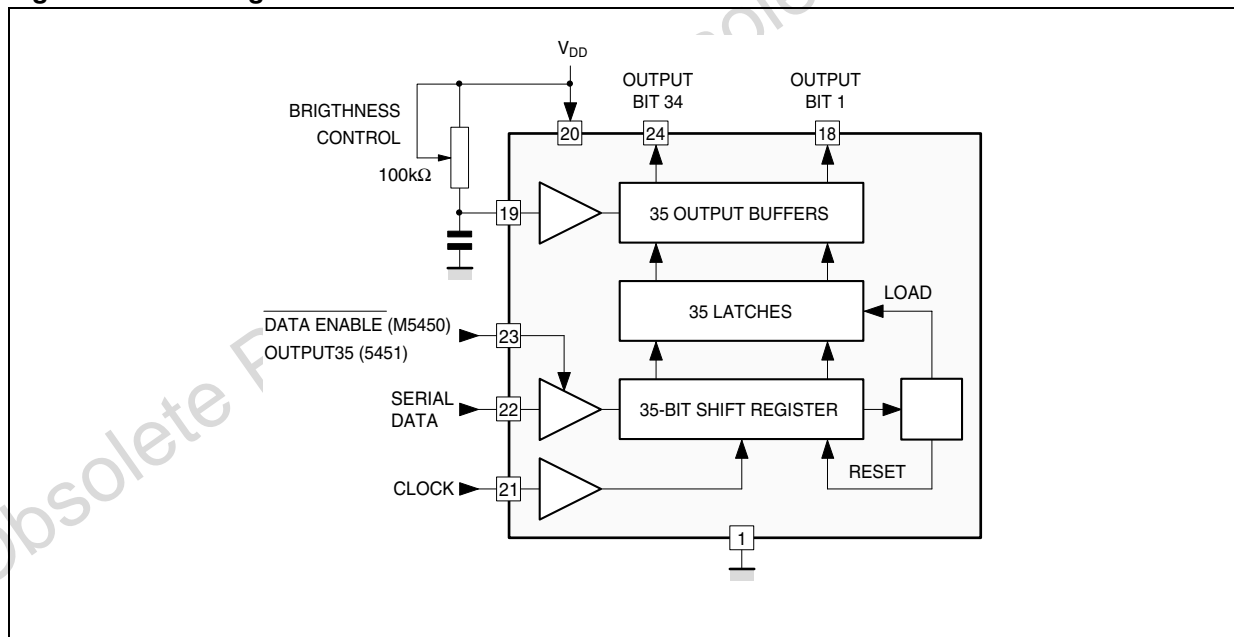


Table 1. Absolute Maximum Ratings

| Symbol | Parameter | Value | Unit |
|---------------------|---|-------------|------|
| V _{DD} | Supply Voltage | – 0.3 to 15 | V |
| V _I | Input Voltage | – 0.3 to 15 | V |
| V _{O(off)} | Off State Output Voltage | 15 | V |
| I _O | Output Sink Current | 40 | mA |
| P _{TOT} | Total Package Power Dissipation at 25°C | 1 | W |
| | Total Package Power Dissipation at 85°C | 560 | mW |
| T _j | Junction Temperature | 150 | °C |
| T _{OP} | Operating Temperature Range | – 25 to 85 | °C |
| T _{STG} | Storage Temperature Range | – 65 to 150 | °C |

Note: Stresses above those listed under "Absolute Maximum Ratings" may cause permanent damage to the device. This is a stress rating only and functional operation of the device at these or any other conditions above those indicated in the operational sections of this specification is not implied. Exposure to absolute maximum rating conditions for extended periods may affect device reliability.

FUNCTIONAL DESCRIPTION

Both the M5450 and the M5451 are specially designed to operate 4 or 5-digit alphanumeric displays with minimal interface with the display and the data source. Serial data transfer from the data source to the display driver is accomplished with 2 signals, serial data and clock. Using a format of a leading "1" followed by the 35 data bits allows data transfer without an additional load signal. The 35 data bits are latched after the 36th bit is complete, thus providing non-multiplexed, direct drive to the display.

Outputs change only if the serial data bits differ from the previous time.

Display brightness is determined by control of the output current LED displays.

A 1nF capacitor should be connected to brightness control, pin 19, to prevent possible oscillations.

A block diagram is shown in Figure 3. For the M5450 a **DATA ENABLE** is used instead of the 35th output. The **DATA ENABLE** input is a metal option for the M5450.

The output current is typically 20 times greater than the current into pin 19, which is set by an external variable resistor. There is an internal limiting resistor of 400Ω nominal value.

Figure 4 shows the input data format. A start bit of logical "1" precedes the 35 bits of data. At the 36th clock a **LOAD** signal is generated synchronously with the high state of the clock, which loads the 35 bits of the shift registers into the latches.

At the low state of the clock a **RESET** signal is generated which clears all the shift registers for the next set of data. The shift registers are static

master-slave configurations. There is no clear for the master portion of the first shift register, thus allowing continuous operation.

There must be a complete set of 36 clocks or the shift registers will not clear.

When power is first applied to the chip an internal power ON reset signal is generated which resets all registers and all latches. The **START** bit and the first clock return the chip to its normal operation.

Bit 1 is the first bit following the start bit and it will appear on Pin 18. A logical "1" at the input will turn on the appropriate LED.

Figure 5 shows the timing relationship between Data, Clock and **DATA ENABLE**.

A max clock frequency of 0.5MHz is assumed. For applications where a lesser number of outputs are used, it is possible to either increase the current per output or operate the part at higher than 1V V_{OUT}.

The following equation can be used for calculations.

$$T_j = [(V_{OUT}) (I_{LED}) (\text{No. of segments}) + (V_{DD} \times 7\text{mA})] (124^\circ\text{C/W}) + T_{amb}$$

where :

T_j = junction temperature (150°C max)

V_{OUT} = the voltage at the LED driver outputs

I_{LED} = the LED current

124°C/W = thermal coefficient of the package

T_{amb} = ambient temperature

The above equation was used to plot Figure 6, Figure 7 and Figure 8.

M5450, M5451**Table 2. Static Electrical Characteristics**(T_{amb} within operating range, V_{DD} = 4.75V to 13.2V, V_{SS} = 0V, unless otherwise specified)

| Symbol | Parameter | Test Conditions | Min. | Typ. | Max. | Unit | |
|---------------------|-----------------------------------|--|------------------------|------|-----------------|-----------------|----|
| V _{DD} | Supply Voltage | | 4.75 | | 13.2 | V | |
| I _{DD} | Supply Current | V _{DD} = 13.2V | | | 7 | mA | |
| V _I | Input Voltage Logical "0" Level | ± 10μA Input Bias | - 0.3 | | 0.8 | V | |
| | Logical "1" Level | 4.75 ≤ V _{DD} ≤ 5.25 | 2.2 | | V _{DD} | V | |
| | | V _{DD} > 5.25 | V _{DD} - 2 | | | V _{DD} | V |
| I _B | Brightness Input Current (note 2) | | 0 | | 0.75 | mA | |
| V _B | Brightness Input Voltage (pin 19) | Input Current = 750μA, T _{amb} = 25°C | 3 | | 4.3 | V | |
| V _{O(off)} | Off State Out. Voltage | | | | 13.2 | V | |
| I _O | Out. Sink Current (note 3) | Segment OFF | | | 10 | μA | |
| | | Segment ON | V _O = 3V | | | | |
| | | V _O = 1V (note 4) | Brightness In. = 0μA | 0 | | 10 | μA |
| | | | Brightness In. = 100μA | 2 | 27 | 4 | mA |
| | | Brightness In. = 750μA | 12 | 15 | 25 | mA | |
| f _{clock} | Input Clock Frequency | | 0 | | 0.5 | MHz | |
| I _O | Output Matching (note 1) | | | | ± 20 | % | |

Note: 1. Output matching is calculated as the percent variation from I_{MAX} + I_{MIN}/2.

2. With a fixed resistor on the brightness input some variation in brightness will occur from one device to another.

3. Absolute maximum for each output should be limited to 40mA.

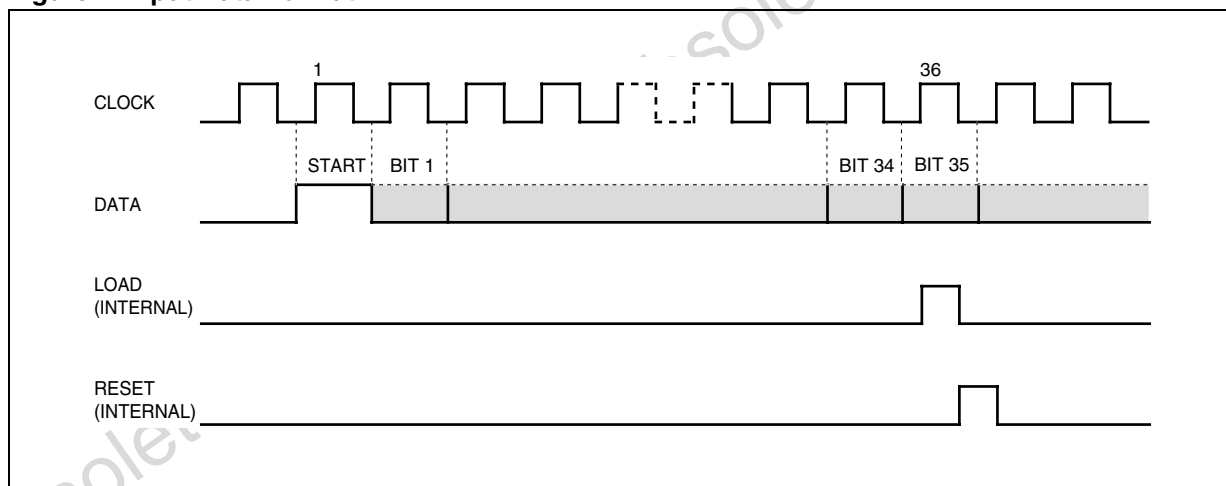
4. The V_O voltage should be regulated by the user. See Figure 7 and Figure 8 for allowable V_O versus I_O operation.**Figure 4. Input Data Format**

Figure 5.

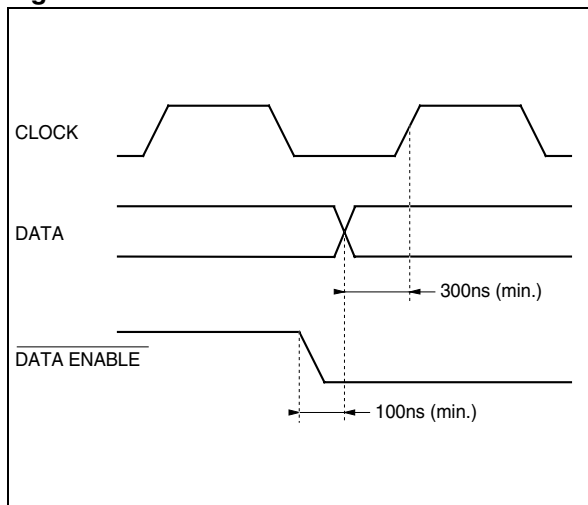


Figure 6.

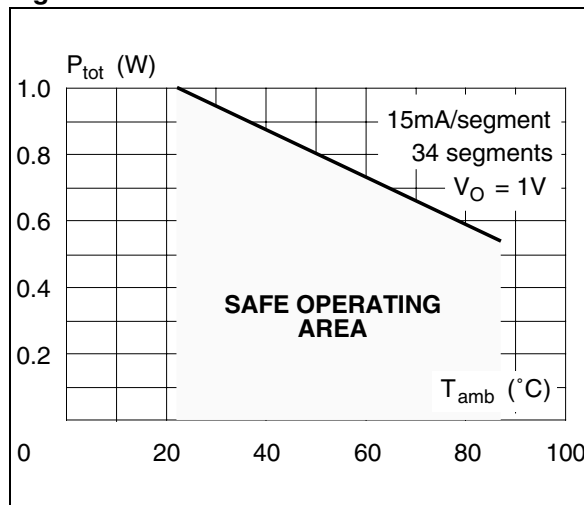


Figure 7.

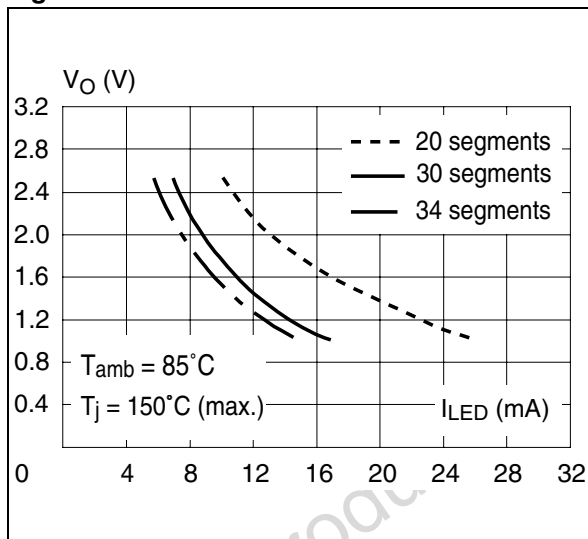
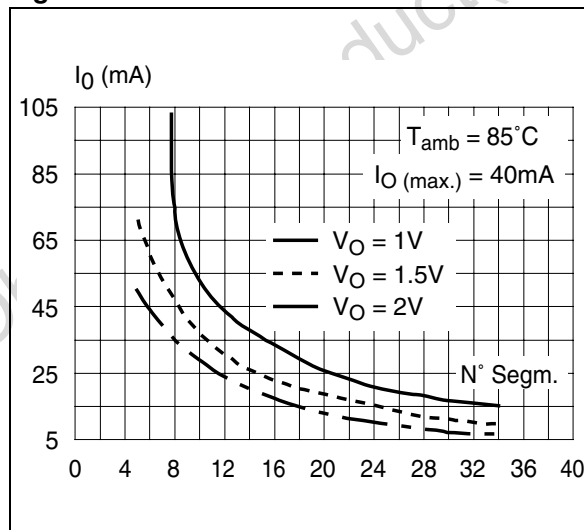


Figure 8.



M5450, M5451

TYPICAL APPLICATIONS

Figure 9. Basic Electronically Tuned Radio Or Tv System

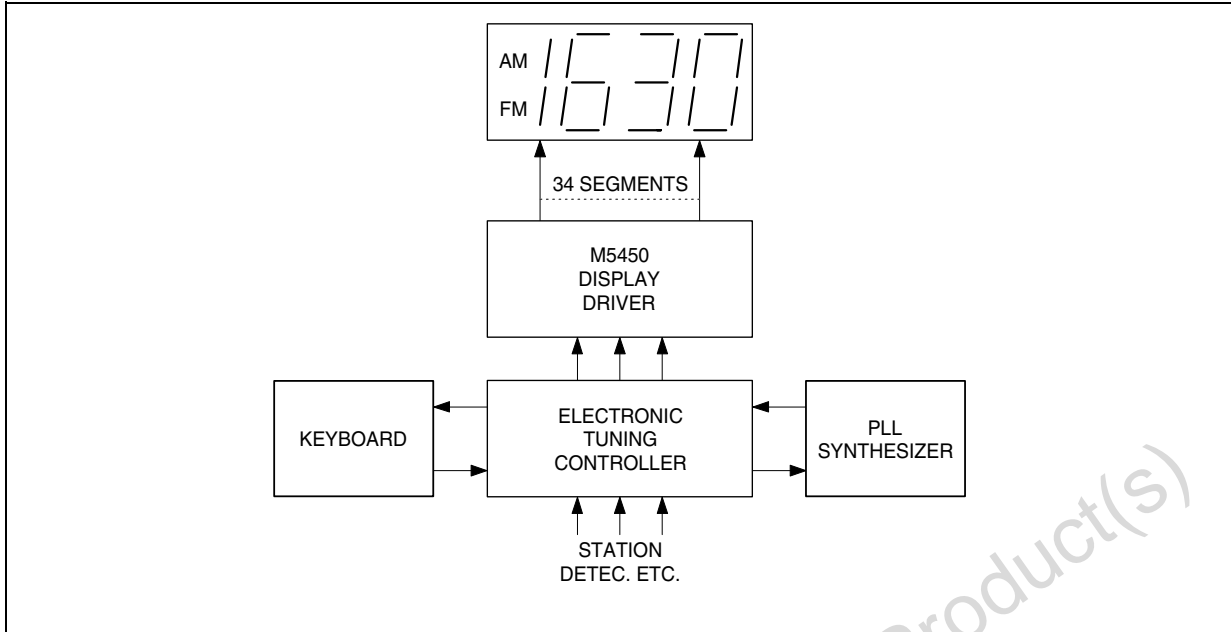
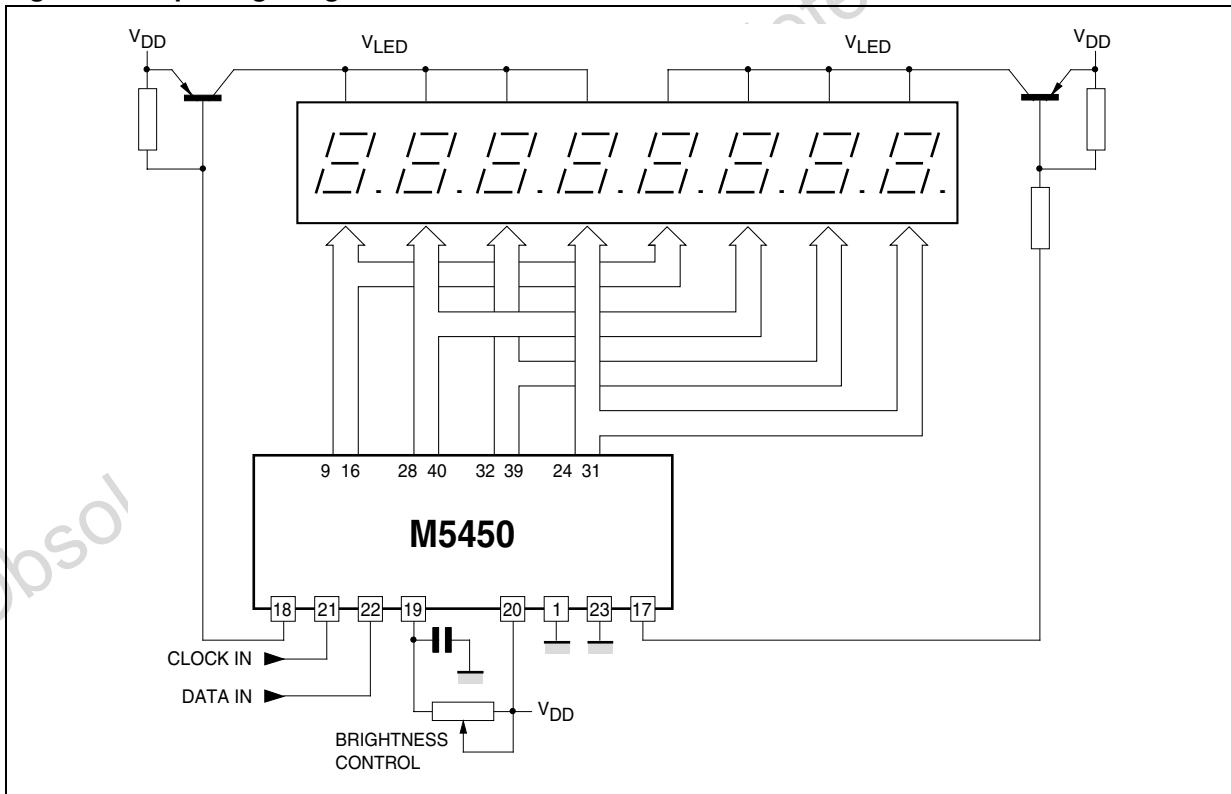


Figure 10. Duplexing 8 Digits With One M5450

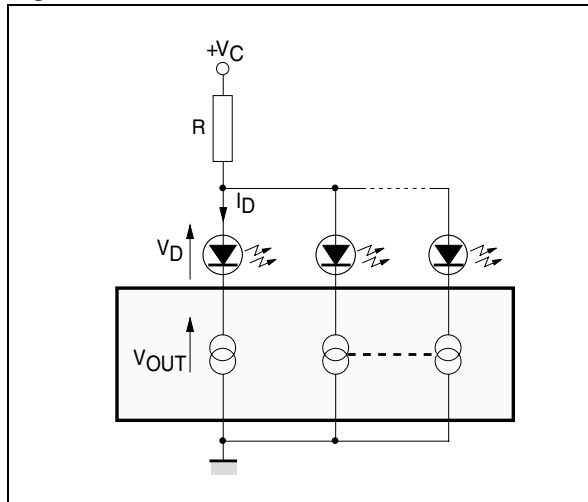


POWER DISSIPATION OF THE IC

The power dissipation of the IC can be limited using different configurations.

Figure 11- In the application R must be chosen taking into account the worst operating conditions.

Figure 11.



R is determined by the maximum number of segments activated

$$R = \frac{V_C - V_{D\text{MAX}} - V_{O\text{MIN}}}{N_{\text{MAX}} \cdot I_D}$$

The worst case condition for the device is when roughly half of the maximum number of segments are activated.

It must be checked that the total power dissipation does not exceed the absolute maximum ratings of the device.

In critical cases more resistors can be used in conjunction with groups of segments.

In this case the current variation in the single resistor is reduced and P_{tot} limited.

Figure 12 - In this configuration the drop on the serial connected diodes is quite stable if the diodes are properly chosen.

The total power dissipation of the IC depends, in a first approximation, only on the number of segments activated.

Figure 12.

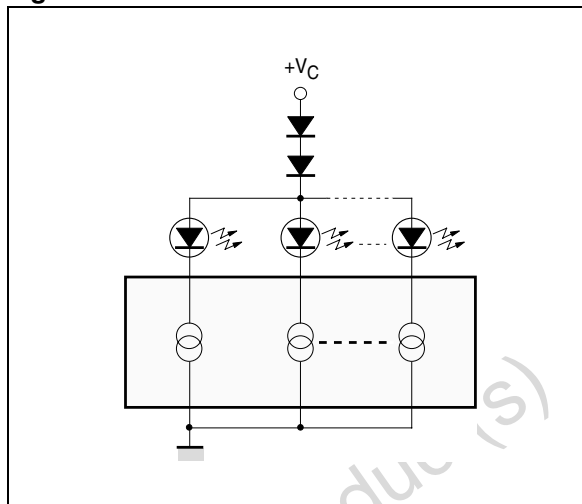
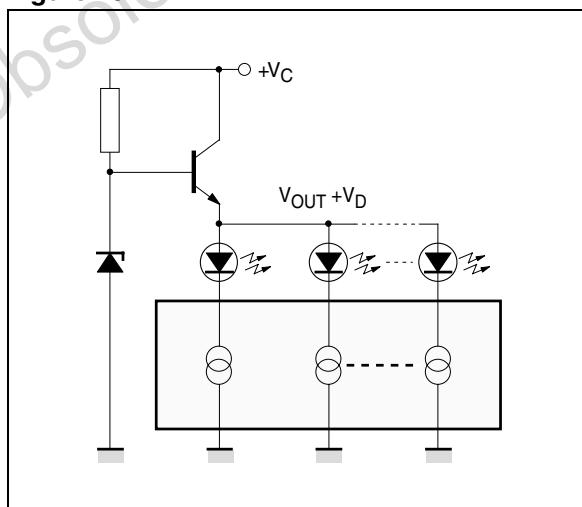


Figure 13 - In this configuration $V_{\text{OUT}} + V_D$ is constant. The total power dissipation of the IC depends only on the number of segments activated.

Figure 13.



M5450, M5451

PART NUMBERING**Table 3. Order Codes**

| Part Number | Package | Temperature Range |
|-----------------|---------|-------------------|
| M5450B7/M5451B7 | PDIP40 | -25 to 85 °C |
| M5451Q | PLCC44 | -25 to 85 °C |

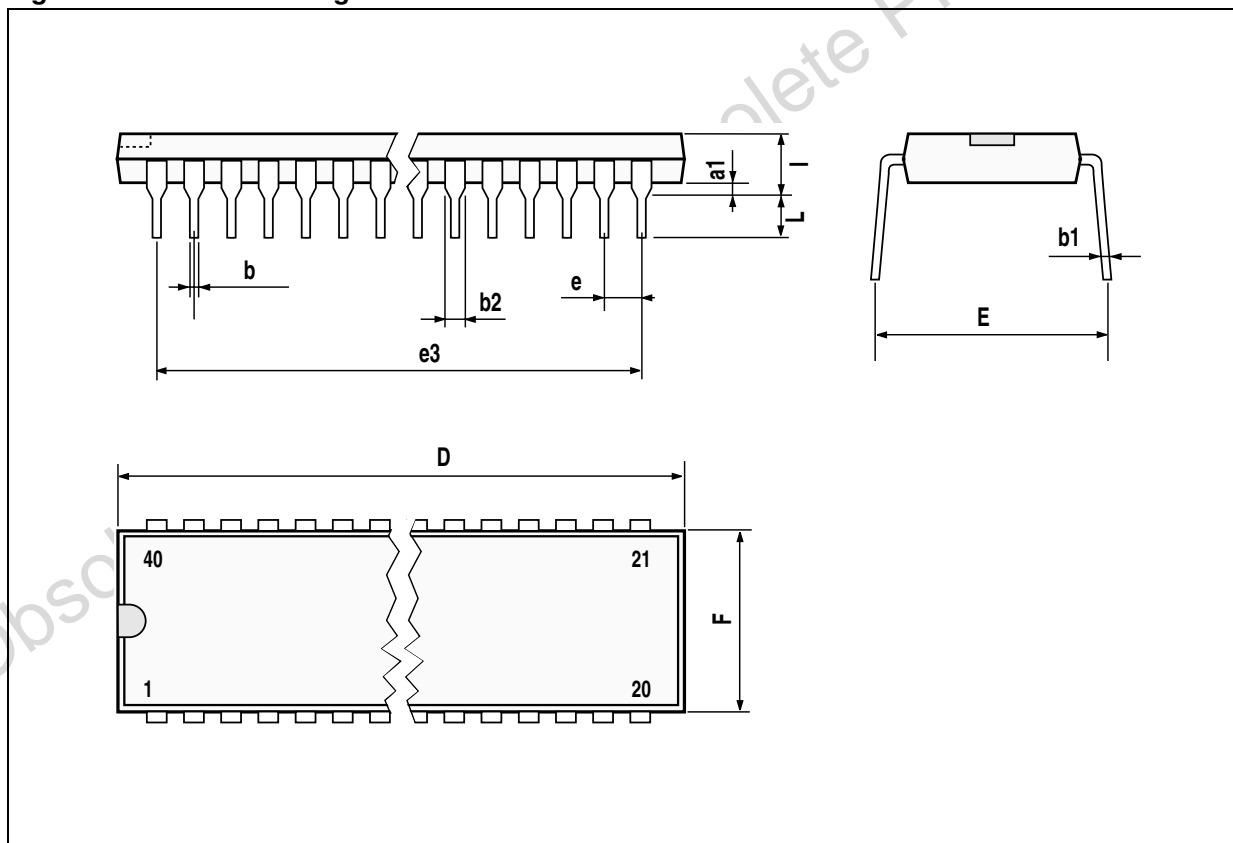
Obsolete Product(s) - Obsolete Product(s)

PACKAGE MECHANICAL

Table 4. PDIP40 - Mechanical Data

| Symbol | millimeters | | | inches | | |
|--------|-------------|-------|-------|--------|-------|-------|
| | Typ | Min | Max | Typ | Min | Max |
| a1 | | 0.63 | | | 0.025 | |
| b | | 0.45 | | | 0.018 | |
| b1 | 0.23 | | 0.31 | 0.009 | | 0.012 |
| b2 | | 1.27 | | | 0.050 | |
| D | | | 52.58 | | | 2.070 |
| E | 15.2 | | 16.68 | 0.598 | | 0.657 |
| e | | 2.54 | | | 0.100 | |
| e3 | | 48.26 | | | 1.900 | |
| F | | | 14.1 | | | 0.555 |
| i | | 4.445 | | | 0.175 | |
| L | | 3.3 | | | 0.130 | |

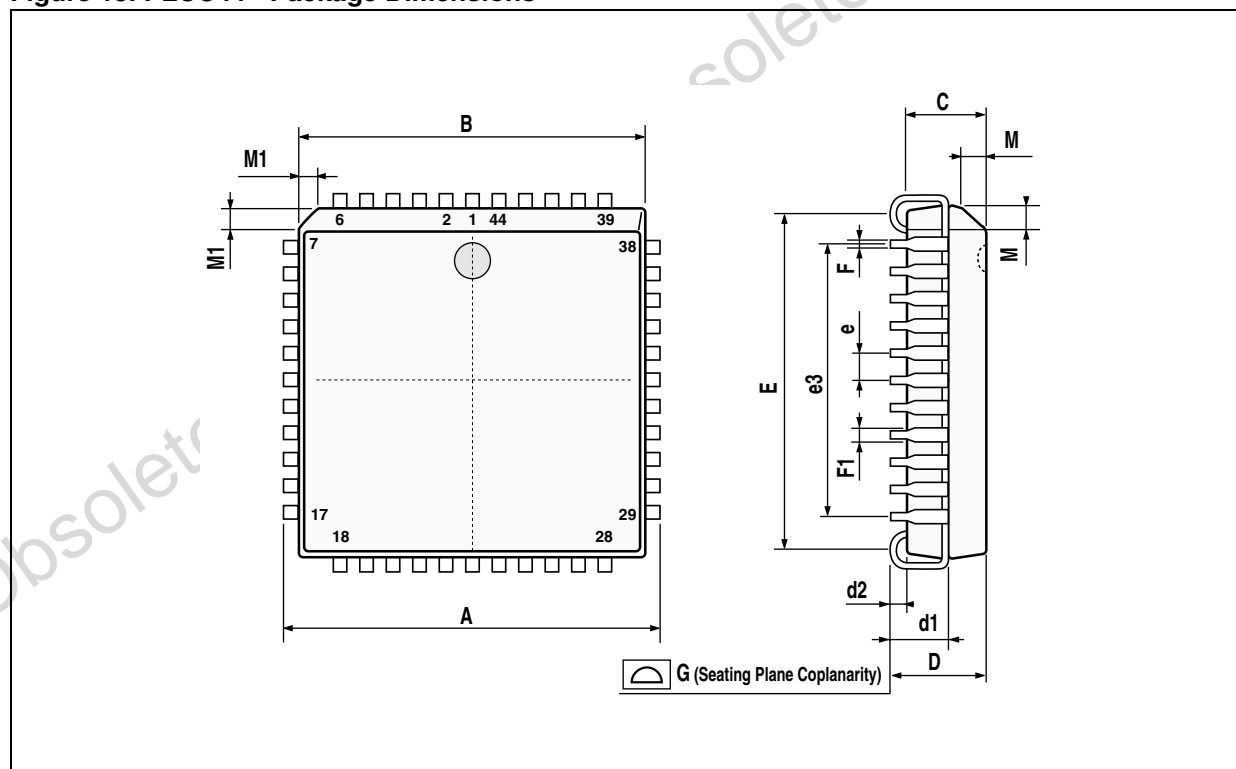
Figure 14. PDIP40 - Package Dimensions



Note: Drawing is not to scale

M5450, M5451**Table 5. PLCC44 - Mechanical Data**

| Symbol | millimeters | | | inches | | |
|--------|-------------|------|-------|--------|-------|-------|
| | Typ | Min | Max | Typ | Min | Max |
| A | 17.4 | | 17.65 | 0.685 | | 0.695 |
| B | 16.51 | | 16.65 | 0.650 | | 0.656 |
| C | 3.65 | | 3.7 | 0.144 | | 0.146 |
| D | 4.2 | | 4.57 | 0.165 | | 0.180 |
| d1 | 2.59 | | 2.74 | 0.102 | | 0.108 |
| d2 | | 0.68 | | | 0.027 | |
| E | 14.99 | | 16 | 0.590 | | 0.630 |
| e | | 1.27 | | | 0.050 | |
| e3 | | 12.7 | | | 0.500 | |
| F | | 0.46 | | | 0.018 | |
| F1 | | 0.71 | | | 0.028 | |
| G | | | 0.101 | | | 0.004 |
| M | | 1.16 | | | 0.046 | |
| M1 | | 1.14 | | | 0.045 | |

Figure 15. PLCC44 - Package Dimensions

Note: Drawing is not to scale.

REVISION HISTORY**Table 6. Revision History**

| Date | Revision | Description of Changes |
|----------------|-----------------|---------------------------------------|
| September-1993 | 1 | First Issue |
| 14-Mar-2004 | 2 | Stylesheet update. No content change. |

Obsolete Product(s) - Obsolete Product(s)

M5450, M5451

Information furnished is believed to be accurate and reliable. However, STMicroelectronics assumes no responsibility for the consequences of use of such information nor for any infringement of patents or other rights of third parties which may result from its use. No license is granted by implication or otherwise under any patent or patent rights of STMicroelectronics. Specifications mentioned in this publication are subject to change without notice. This publication supersedes and replaces all information previously supplied. STMicroelectronics products are not authorized for use as critical components in life support devices or systems without express written approval of STMicroelectronics.

The ST logo is a registered trademark of STMicroelectronics.
All other names are the property of their respective owners

© 2004 STMicroelectronics - All rights reserved

STMicroelectronics GROUP OF COMPANIES

Australia - Belgium - Brazil - Canada - China - Czech Republic - Finland - France - Germany - Hong Kong - India - Israel - Italy - Japan -
Malaysia - Malta - Morocco - Singapore - Spain - Sweden - Switzerland - United Kingdom - United States

www.st.com

OUR CERTIFICATE

DiGi provide top-quality products and perfect service for customer worldwide through standardization, technological innovation and continuous improvement. DiGi through third-party certification, we stricly control the quality of products and services. Welcome your RFQ to

Email: Info@DiGi-Electronics.com



Tel: +00 852-30501935

RFQ Email: Info@DiGi-Electronics.com

DiGi is a global authorized distributor of electronic components.