

STM32F030RCT6 Datasheet



<https://www.DiGi-Electronics.com>

| | |
|------------------------------|--|
| DiGi Electronics Part Number | STM32F030RCT6-DG |
| Manufacturer | STMicroelectronics |
| Manufacturer Product Number | STM32F030RCT6 |
| Description | IC MCU 32BIT 256KB FLASH 64LQFP |
| Detailed Description | ARM® Cortex®-M0 STM32F0 Microcontroller IC 32-Bit Single-Core 48MHz 256KB (256K x 8) FLASH 64-LQFP (10x10) |

This model STM32F030RCT6 is available at DiGi Electronics.

DiGi Electronics offers a global database of semiconductor and electronic component datasheets.

We welcome your inquiries regarding pricing, lead time, or other product-related questions.

 [Request a Quote](#)

 [Datasheet Search](#)



Tel: +00 852-30501935

RFQ Email: Info@DiGi-Electronics.com

DiGi is a global authorized distributor of electronic components.

Purchase and inquiry

Manufacturer Product Number:

STM32F030RCT6

Series:

STM32F0

DiGi-Electronics Programmable:

Not Verified

Core Size:

32-Bit Single-Core

Connectivity:

I2C, SPI, UART/USART

Number of I/O:

51

Program Memory Type:

FLASH

RAM Size:

32K x 8

Data Converters:

A/D 18x12b

Operating Temperature:

-40°C ~ 85°C (TA)

Supplier Device Package:

64-LQFP (10x10)

Base Product Number:

STM32F030

Manufacturer:

STMicroelectronics

Product Status:

Active

Core Processor:

ARM® Cortex®-M0

Speed:

48MHz

Peripherals:

DMA, POR, PWM, WDT

Program Memory Size:

256KB (256K x 8)

EEPROM Size:

-

Voltage - Supply (Vcc/Vdd):

2.4V ~ 3.6V

Oscillator Type:

Internal

Mounting Type:

Surface Mount

Package / Case:

64-LQFP

Environmental & Export classification

RoHS Status:

ROHS3 Compliant

REACH Status:

REACH Unaffected

HTSUS:

8542.31.0001

Moisture Sensitivity Level (MSL):

3 (168 Hours)

ECCN:

3A991A2



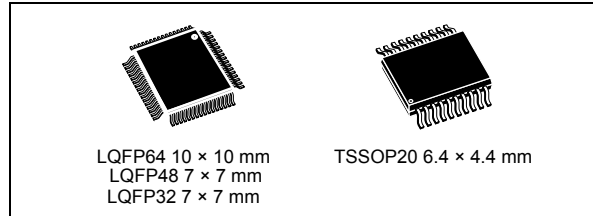
STM32F030x4 STM32F030x6 STM32F030x8 STM32F030xC

Value-line Arm[®]-based 32-bit MCU with up to 256 KB Flash, timers, ADC, communication interfaces, 2.4-3.6 V operation

Datasheet - production data

Features

- Core: Arm[®] 32-bit Cortex[®]-M0 CPU, frequency up to 48 MHz
- Memories
 - 16 to 256 Kbytes of Flash memory
 - 4 to 32 Kbytes of SRAM with HW parity
- CRC calculation unit
- Reset and power management
 - Digital & I/Os supply: $V_{DD} = 2.4\text{ V to }3.6\text{ V}$
 - Analog supply: $V_{DDA} = V_{DD}$ to 3.6 V
 - Power-on/Power down reset (POR/PDR)
 - Low power modes: Sleep, Stop, Standby
- Clock management
 - 4 to 32 MHz crystal oscillator
 - 32 kHz oscillator for RTC with calibration
 - Internal 8 MHz RC with x6 PLL option
 - Internal 40 kHz RC oscillator
- Up to 55 fast I/Os
 - All mappable on external interrupt vectors
 - Up to 55 I/Os with 5V tolerant capability
- 5-channel DMA controller
- One 12-bit, 1.0 μs ADC (up to 16 channels)
 - Conversion range: 0 to 3.6 V
 - Separate analog supply: 2.4 V to 3.6 V
- Calendar RTC with alarm and periodic wakeup from Stop/Standby
- 11 timers
 - One 16-bit advanced-control timer for six-channel PWM output
 - Up to seven 16-bit timers, with up to four IC/OC, OCN, usable for IR control decoding
 - Independent and system watchdog timers
 - SysTick timer



- Communication interfaces
 - Up to two I²C interfaces
 - Fast Mode Plus (1 Mbit/s) support on one or two I/Fs, with 20 mA current sink
 - SMBus/PMBus support (on single I/F)
 - Up to six USARTs supporting master synchronous SPI and modem control; one with auto baud rate detection
 - Up to two SPIs (18 Mbit/s) with 4 to 16 programmable bit frames
- Serial wire debug (SWD)
- All packages ECOPACK^{®2}

Table 1. Device summary

| Reference | Part number |
|-------------|--------------------------|
| STM32F030x4 | STM32F030F4 |
| STM32F030x6 | STM32F030C6, STM32F030K6 |
| STM32F030x8 | STM32F030C8, STM32F030R8 |
| STM32F030xC | STM32F030CC, STM32F030RC |

Contents

| | | |
|----------|---|-----------|
| 1 | Introduction | 8 |
| 2 | Description | 9 |
| 3 | Functional overview | 12 |
| 3.1 | Arm® Cortex®-M0 core with embedded Flash and SRAM | 12 |
| 3.2 | Memories | 12 |
| 3.3 | Boot modes | 12 |
| 3.4 | Cyclic redundancy check calculation unit (CRC) | 13 |
| 3.5 | Power management | 13 |
| 3.5.1 | Power supply schemes | 13 |
| 3.5.2 | Power supply supervisors | 13 |
| 3.5.3 | Voltage regulator | 13 |
| 3.5.4 | Low-power modes | 14 |
| 3.6 | Clocks and startup | 14 |
| 3.7 | General-purpose inputs/outputs (GPIOs) | 16 |
| 3.8 | Direct memory access controller (DMA) | 17 |
| 3.9 | Interrupts and events | 17 |
| 3.9.1 | Nested vectored interrupt controller (NVIC) | 17 |
| 3.9.2 | Extended interrupt/event controller (EXTI) | 17 |
| 3.10 | Analog to digital converter (ADC) | 18 |
| 3.10.1 | Temperature sensor | 18 |
| 3.10.2 | Internal voltage reference (V_{REFINT}) | 18 |
| 3.11 | Timers and watchdogs | 19 |
| 3.11.1 | Advanced-control timer (TIM1) | 19 |
| 3.11.2 | General-purpose timers (TIM3, TIM14..17) | 20 |
| 3.11.3 | Basic timers TIM6 and TIM7 | 20 |
| 3.11.4 | Independent watchdog (IWDG) | 20 |
| 3.11.5 | System window watchdog (WWDG) | 21 |
| 3.11.6 | SysTick timer | 21 |
| 3.12 | Real-time clock (RTC) | 21 |
| 3.13 | Inter-integrated circuit interfaces (I ² C) | 22 |
| 3.14 | Universal synchronous/asynchronous receiver/transmitter (USART) | 22 |

| | | |
|----------|--|-----------|
| 3.15 | Serial peripheral interface (SPI) | 23 |
| 3.16 | Serial wire debug port (SW-DP) | 24 |
| 4 | Pinouts and pin descriptions | 25 |
| 5 | Memory mapping | 38 |
| 6 | Electrical characteristics | 41 |
| 6.1 | Parameter conditions | 41 |
| 6.1.1 | Minimum and maximum values | 41 |
| 6.1.2 | Typical values | 41 |
| 6.1.3 | Typical curves | 41 |
| 6.1.4 | Loading capacitor | 41 |
| 6.1.5 | Pin input voltage | 41 |
| 6.1.6 | Power supply scheme | 42 |
| 6.1.7 | Current consumption measurement | 42 |
| 6.2 | Absolute maximum ratings | 43 |
| 6.3 | Operating conditions | 44 |
| 6.3.1 | General operating conditions | 44 |
| 6.3.2 | Operating conditions at power-up / power-down | 45 |
| 6.3.3 | Embedded reset and power control block characteristics | 45 |
| 6.3.4 | Embedded reference voltage | 46 |
| 6.3.5 | Supply current characteristics | 46 |
| 6.3.6 | Wakeup time from low-power mode | 51 |
| 6.3.7 | External clock source characteristics | 52 |
| 6.3.8 | Internal clock source characteristics | 56 |
| 6.3.9 | PLL characteristics | 57 |
| 6.3.10 | Memory characteristics | 57 |
| 6.3.11 | EMC characteristics | 58 |
| 6.3.12 | Electrical sensitivity characteristics | 59 |
| 6.3.13 | I/O current injection characteristics | 60 |
| 6.3.14 | I/O port characteristics | 61 |
| 6.3.15 | NRST pin characteristics | 66 |
| 6.3.16 | 12-bit ADC characteristics | 67 |
| 6.3.17 | Temperature sensor characteristics | 71 |
| 6.3.18 | Timer characteristics | 71 |
| 6.3.19 | Communication interfaces | 72 |

| | | |
|----------|-----------------------------------|-----------|
| 7 | Package information | 76 |
| 7.1 | LQFP64 package information | 76 |
| 7.2 | LQFP48 package information | 79 |
| 7.3 | LQFP32 package information | 82 |
| 7.4 | TSSOP20 package information | 85 |
| 7.5 | Thermal characteristics | 88 |
| 7.5.1 | Reference document | 88 |
| 8 | Ordering information | 89 |
| 9 | Revision history | 90 |

List of tables

| | | |
|-----------|--|----|
| Table 1. | Device summary | 1 |
| Table 2. | STM32F030x4/x6/x8/xC family device features and peripheral counts | 10 |
| Table 3. | Temperature sensor calibration values | 18 |
| Table 4. | Internal voltage reference calibration values | 18 |
| Table 5. | Timer feature comparison | 19 |
| Table 6. | Comparison of I2C analog and digital filters | 22 |
| Table 7. | STM32F030x4/x6/x8/xC I ² C implementation | 22 |
| Table 8. | STM32F0x0 USART implementation | 23 |
| Table 9. | STM32F030x4/x6/x8/xC SPI implementation | 24 |
| Table 10. | Legend/abbreviations used in the pinout table | 28 |
| Table 11. | STM32F030x4/6/8/C pin definitions | 28 |
| Table 12. | Alternate functions selected through GPIOA_AFR registers for port A | 34 |
| Table 13. | Alternate functions selected through GPIOB_AFR registers for port B | 35 |
| Table 14. | Alternate functions selected through GPIOC_AFR registers for port C | 37 |
| Table 15. | Alternate functions selected through GPIOD_AFR registers for port D | 37 |
| Table 16. | Alternate functions selected through GPIOF_AFR registers for port F | 37 |
| Table 17. | STM32F030x4/x6/x8/xC peripheral register boundary addresses | 39 |
| Table 18. | Voltage characteristics | 43 |
| Table 19. | Current characteristics | 44 |
| Table 20. | Thermal characteristics | 44 |
| Table 21. | General operating conditions | 44 |
| Table 22. | Operating conditions at power-up / power-down | 45 |
| Table 23. | Embedded reset and power control block characteristics | 45 |
| Table 24. | Embedded internal reference voltage | 46 |
| Table 25. | Typical and maximum current consumption from V _{DD} supply at V _{DD} = 3.6 V | 47 |
| Table 26. | Typical and maximum current consumption from the V _{DDA} supply | 48 |
| Table 27. | Typical and maximum consumption in Stop and Standby modes | 49 |
| Table 28. | Typical current consumption in Run mode, code with data processing running from Flash | 50 |
| Table 29. | Switching output I/O current consumption | 51 |
| Table 30. | Low-power mode wakeup timings | 52 |
| Table 31. | High-speed external user clock characteristics | 52 |
| Table 32. | Low-speed external user clock characteristics | 53 |
| Table 33. | HSE oscillator characteristics | 53 |
| Table 34. | LSE oscillator characteristics (f _{LSE} = 32.768 kHz) | 55 |
| Table 35. | HSI oscillator characteristics | 56 |
| Table 36. | HSI14 oscillator characteristics | 56 |
| Table 37. | LSI oscillator characteristics | 56 |
| Table 38. | PLL characteristics | 57 |
| Table 39. | Flash memory characteristics | 57 |
| Table 40. | Flash memory endurance and data retention | 58 |
| Table 41. | EMS characteristics | 58 |
| Table 42. | EMI characteristics | 59 |
| Table 43. | ESD absolute maximum ratings | 60 |
| Table 44. | Electrical sensitivities | 60 |
| Table 45. | I/O current injection susceptibility | 61 |
| Table 46. | I/O static characteristics | 61 |
| Table 47. | Output voltage characteristics | 64 |

List of tables**STM32F030x4/x6/x8/xC**

| | | |
|-----------|---|----|
| Table 48. | I/O AC characteristics | 65 |
| Table 49. | NRST pin characteristics | 66 |
| Table 50. | ADC characteristics | 67 |
| Table 51. | R_{AIN} max for $f_{ADC} = 14$ MHz | 69 |
| Table 52. | ADC accuracy | 69 |
| Table 53. | TS characteristics | 71 |
| Table 54. | TIMx characteristics | 71 |
| Table 55. | IWDG min/max timeout period at 40 kHz (LSI) | 72 |
| Table 56. | WWDG min/max timeout value at 48 MHz (PCLK) | 72 |
| Table 57. | I2C analog filter characteristics | 73 |
| Table 58. | SPI characteristics | 73 |
| Table 59. | LQFP64 mechanical data | 76 |
| Table 60. | LQFP48 mechanical data | 79 |
| Table 61. | LQFP32 mechanical data | 82 |
| Table 62. | TSSOP20 mechanical data | 85 |
| Table 63. | Package thermal characteristics | 88 |
| Table 64. | Document revision history | 90 |

List of figures

| | | |
|------------|--|----|
| Figure 1. | Block diagram | 11 |
| Figure 2. | Clock tree of STM32F030x4/x6/x8 | 15 |
| Figure 3. | Clock tree of STM32F030xC | 16 |
| Figure 4. | LQFP64 64-pin package pinout (top view), for STM32F030x4/6/8 devices | 25 |
| Figure 5. | LQFP64 64-pin package pinout (top view), for STM32F030RC devices | 25 |
| Figure 6. | LQFP48 48-pin package pinout (top view), for STM32F030x4/6/8 devices | 26 |
| Figure 7. | LQFP48 48-pin package pinout (top view), for STM32F030CC devices | 26 |
| Figure 8. | LQFP32 32-pin package pinout (top view) | 27 |
| Figure 9. | TSSOP20 20-pin package pinout (top view) | 27 |
| Figure 10. | STM32F030x4/x6/x8/xC memory map | 38 |
| Figure 11. | Pin loading conditions | 41 |
| Figure 12. | Pin input voltage | 41 |
| Figure 13. | Power supply scheme | 42 |
| Figure 14. | Current consumption measurement scheme | 42 |
| Figure 15. | High-speed external clock source AC timing diagram | 52 |
| Figure 16. | Low-speed external clock source AC timing diagram | 53 |
| Figure 17. | Typical application with an 8 MHz crystal | 54 |
| Figure 18. | Typical application with a 32.768 kHz crystal | 55 |
| Figure 19. | TC and TTA I/O input characteristics | 63 |
| Figure 20. | Five volt tolerant (FT and FTf) I/O input characteristics | 63 |
| Figure 21. | I/O AC characteristics definition | 66 |
| Figure 22. | Recommended NRST pin protection | 67 |
| Figure 23. | ADC accuracy characteristics | 70 |
| Figure 24. | Typical connection diagram using the ADC | 70 |
| Figure 25. | SPI timing diagram - slave mode and CPHA = 0 | 74 |
| Figure 26. | SPI timing diagram - slave mode and CPHA = 1 | 74 |
| Figure 27. | SPI timing diagram - master mode | 75 |
| Figure 28. | LQFP64 outline | 76 |
| Figure 29. | LQFP64 recommended footprint | 77 |
| Figure 30. | LQFP64 marking example (package top view) | 78 |
| Figure 31. | LQFP48 outline | 79 |
| Figure 32. | LQFP48 recommended footprint | 80 |
| Figure 33. | LQFP48 marking example (package top view) | 81 |
| Figure 34. | LQFP32 outline | 82 |
| Figure 35. | LQFP32 recommended footprint | 83 |
| Figure 36. | LQFP32 marking example (package top view) | 84 |
| Figure 37. | TSSOP20 outline | 85 |
| Figure 38. | TSSOP20 footprint | 86 |
| Figure 39. | TSSOP20 marking example (package top view) | 87 |

1 Introduction

This datasheet provides the ordering information and mechanical device characteristics of the STM32F030x4/x6/x8/xC microcontrollers.

This document should be read in conjunction with the STM32F0x0xx reference manual (RM0360). The reference manual is available from the STMicroelectronics website www.st.com.

For information on the Arm^{®(a)} Cortex[®]-M0 core, please refer to the Cortex[®]-M0 Technical Reference Manual, available from the www.arm.com website.

arm

a. Arm is a registered trademark of Arm Limited (or its subsidiaries) in the US and/or elsewhere.

2 Description

The STM32F030x4/x6/x8/xC microcontrollers incorporate the high-performance Arm[®] Cortex[®]-M0 32-bit RISC core operating at a 48 MHz frequency, high-speed embedded memories (up to 256 Kbytes of Flash memory and up to 32 Kbytes of SRAM), and an extensive range of enhanced peripherals and I/Os. All devices offer standard communication interfaces (up to two I²Cs, up to two SPIs and up to six USARTs), one 12-bit ADC, seven general-purpose 16-bit timers and an advanced-control PWM timer.

The STM32F030x4/x6/x8/xC microcontrollers operate in the -40 to +85 °C temperature range from a 2.4 to 3.6V power supply. A comprehensive set of power-saving modes allows the design of low-power applications.

The STM32F030x4/x6/x8/xC microcontrollers include devices in four different packages ranging from 20 pins to 64 pins. Depending on the device chosen, different sets of peripherals are included. The description below provides an overview of the complete range of STM32F030x4/x6/x8/xC peripherals proposed.

These features make the STM32F030x4/x6/x8/xC microcontrollers suitable for a wide range of applications such as application control and user interfaces, handheld equipment, A/V receivers and digital TV, PC peripherals, gaming and GPS platforms, industrial applications, PLCs, inverters, printers, scanners, alarm systems, video intercoms, and HVACs.

Description

STM32F030x4/x6/x8/xC

Table 2. STM32F030x4/x6/x8/xC family device features and peripheral counts

| Peripheral | | STM32 F030F4 | STM32 F030K6 | STM32 F030C6 | STM32 F030C8 | STM32 F030CC | STM32 F030R8 | STM32 F030RC |
|---------------------------------|------------------|--|---------------------|---------------------|---------------------------|---------------------|---------------------------|---------------------|
| Flash (Kbytes) | | 16 | 32 | 32 | 64 | 256 | 64 | 256 |
| SRAM (Kbytes) | | 4 | | | 8 | 32 | 8 | 32 |
| Timers | Advanced control | 1 (16-bit) | | | | | | |
| | General purpose | 4 (16-bit) ⁽¹⁾ | | | 5 (16-bit) | | | |
| | Basic | - | | | 1 (16-bit) ⁽²⁾ | 2 (16-bit) | 1 (16-bit) ⁽²⁾ | 2 (16-bit) |
| Comm. interfaces | SPI | 1 ⁽³⁾ | | | 2 | | | |
| | I ² C | 1 ⁽⁴⁾ | | | 2 | | | |
| | USART | 1 ⁽⁵⁾ | | | 2 ⁽⁶⁾ | 6 | 2 ⁽⁶⁾ | 6 |
| 12-bit ADC (number of channels) | | 1 (9 ext. +2 int.) | 1 (10 ext. +2 int.) | 1 (10 ext. +2 int.) | 1 (10 ext. +2 int.) | 1 (10 ext. +2 int.) | 1 (16 ext. +2 int.) | 1 (16 ext. +2 int.) |
| GPIOs | | 15 | 26 | 39 | 39 | 37 | 55 | 51 |
| Max. CPU frequency | | 48 MHz | | | | | | |
| Operating voltage | | 2.4 to 3.6 V | | | | | | |
| Operating temperature | | Ambient operating temperature: -40°C to 85°C Junction temperature: -40°C to 105°C | | | | | | |
| Packages | | TSSOP20 | LQFP32 | LQFP48 | | | LQFP64 | |

1. TIM15 is not present.

2. TIM7 is not present.

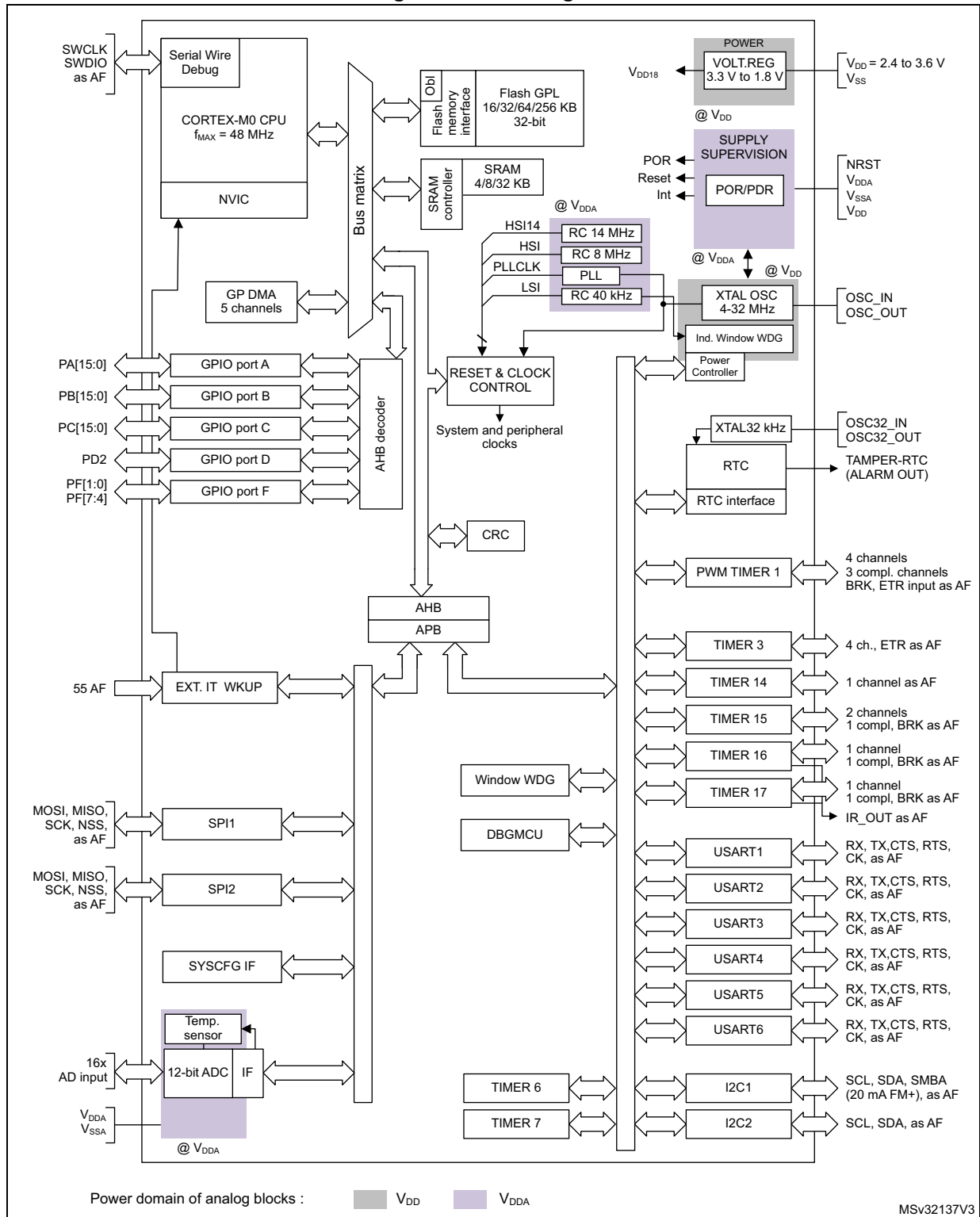
3. SPI2 is not present.

4. I2C2 is not present.

5. USART2 to USART6 are not present.

6. USART3 to USART6 are not present

Figure 1. Block diagram



Power domain of analog blocks :

■ V_{DD} ■ V_{DDA}

MSv32137V3

1. TIMER6, TIMER15, SPI, USART2 and I2C2 are available on STM32F030x8/C devices only.
2. USART3, USART4, USART5, USART6 and TIMER7 are available on STM32F030xC devices only.

3 Functional overview

3.1 Arm[®] Cortex[®]-M0 core with embedded Flash and SRAM

The Arm[®] Cortex[®]-M0 processor is the latest generation of Arm processors for embedded systems. It has been developed to provide a low-cost platform that meets the needs of MCU implementation, with a reduced pin count and low-power consumption, while delivering outstanding computational performance and an advanced system response to interrupts.

The Arm[®] Cortex[®]-M0 32-bit RISC processor features exceptional code-efficiency, delivering the high-performance expected from an Arm core in the memory size usually associated with 8- and 16-bit devices.

The STM32F0xx family has an embedded Arm core and is therefore compatible with all Arm tools and software.

Figure 1 shows the general block diagram of the device family.

3.2 Memories

The device has the following features:

- 4 to 32 Kbytes of embedded SRAM accessed (read/write) at CPU clock speed with 0 wait states and featuring embedded parity checking with exception generation for fail-critical applications.
- The non-volatile memory is divided into two arrays:
 - 16 to 256 Kbytes of embedded Flash memory for programs and data
 - Option bytes

The option bytes are used to write-protect the memory (with 4 KB granularity) and/or readout-protect the whole memory with the following options:

- Level 0: no readout protection
- Level 1: memory readout protection, the Flash memory cannot be read from or written to if either debug features are connected or boot in RAM is selected
- Level 2: chip readout protection, debug features (Cortex[®]-M0 serial wire) and boot in RAM selection disabled

3.3 Boot modes

At startup, the boot pin and boot selector option bit are used to select one of the three boot options:

- Boot from User Flash
- Boot from System Memory
- Boot from embedded SRAM

The boot loader is located in System Memory. It is used to reprogram the Flash memory by using USART on pins PA14/PA15 or PA9/PA10.

3.4 Cyclic redundancy check calculation unit (CRC)

The CRC (cyclic redundancy check) calculation unit is used to get a CRC code using a configurable generator polynomial value and size.

Among other applications, CRC-based techniques are used to verify data transmission or storage integrity. In the scope of the EN/IEC 60335-1 standard, they offer a means of verifying the Flash memory integrity. The CRC calculation unit helps compute a signature of the software during runtime, to be compared with a reference signature generated at link-time and stored at a given memory location.

3.5 Power management

3.5.1 Power supply schemes

- $V_{DD} = 2.4$ to 3.6 V: external power supply for I/Os and the internal regulator. Provided externally through VDD pins.
- $V_{DDA} =$ from V_{DD} to 3.6 V: external analog power supply for ADC, Reset blocks, RCs and PLL. The V_{DDA} voltage level must be always greater or equal to the V_{DD} voltage level and must be provided first.

For more details on how to connect power pins, refer to [Figure 13: Power supply scheme](#).

3.5.2 Power supply supervisors

The device has integrated power-on reset (POR) and power-down reset (PDR) circuits. They are always active, and ensure proper operation above a threshold of 2 V. The device remains in reset mode when the monitored supply voltage is below a specified threshold, $V_{POR/PDR}$, without the need for an external reset circuit.

- The POR monitors only the V_{DD} supply voltage. During the startup phase it is required that V_{DDA} should arrive first and be greater than or equal to V_{DD} .
- The PDR monitors both the V_{DD} and V_{DDA} supply voltages, however the V_{DDA} power supply supervisor can be disabled (by programming a dedicated Option bit) to reduce the power consumption if the application design ensures that V_{DDA} is higher than or equal to V_{DD} .

3.5.3 Voltage regulator

The regulator has two operating modes and it is always enabled after reset.

- Main (MR) is used in normal operating mode (Run).
- Low power (LPR) can be used in Stop mode where the power demand is reduced.

In Standby mode, it is put in power down mode. In this mode, the regulator output is in high impedance and the kernel circuitry is powered down, inducing zero consumption (but the contents of the registers and SRAM are lost).

3.5.4 Low-power modes

The STM32F030x4/x6/x8/xC microcontrollers support three low-power modes to achieve the best compromise between low power consumption, short startup time and available wakeup sources:

- **Sleep mode**

In Sleep mode, only the CPU is stopped. All peripherals continue to operate and can wake up the CPU when an interrupt/event occurs.

- **Stop mode**

Stop mode achieves very low power consumption while retaining the content of SRAM and registers. All clocks in the 1.8 V domain are stopped, the PLL, the HSI RC and the HSE crystal oscillators are disabled. The voltage regulator can also be put either in normal or in low power mode.

The device can be woken up from Stop mode by any of the EXTI lines. The EXTI line source can be one of the 16 external lines and RTC.

- **Standby mode**

The Standby mode is used to achieve the lowest power consumption. The internal voltage regulator is switched off so that the entire 1.8 V domain is powered off. The PLL, the HSI RC and the HSE crystal oscillators are also switched off. After entering Standby mode, SRAM and register contents are lost except for registers in the RTC domain and Standby circuitry.

The device exits Standby mode when an external reset (NRST pin), an IWDG reset, a rising edge on the WKUP pins, or an RTC event occurs.

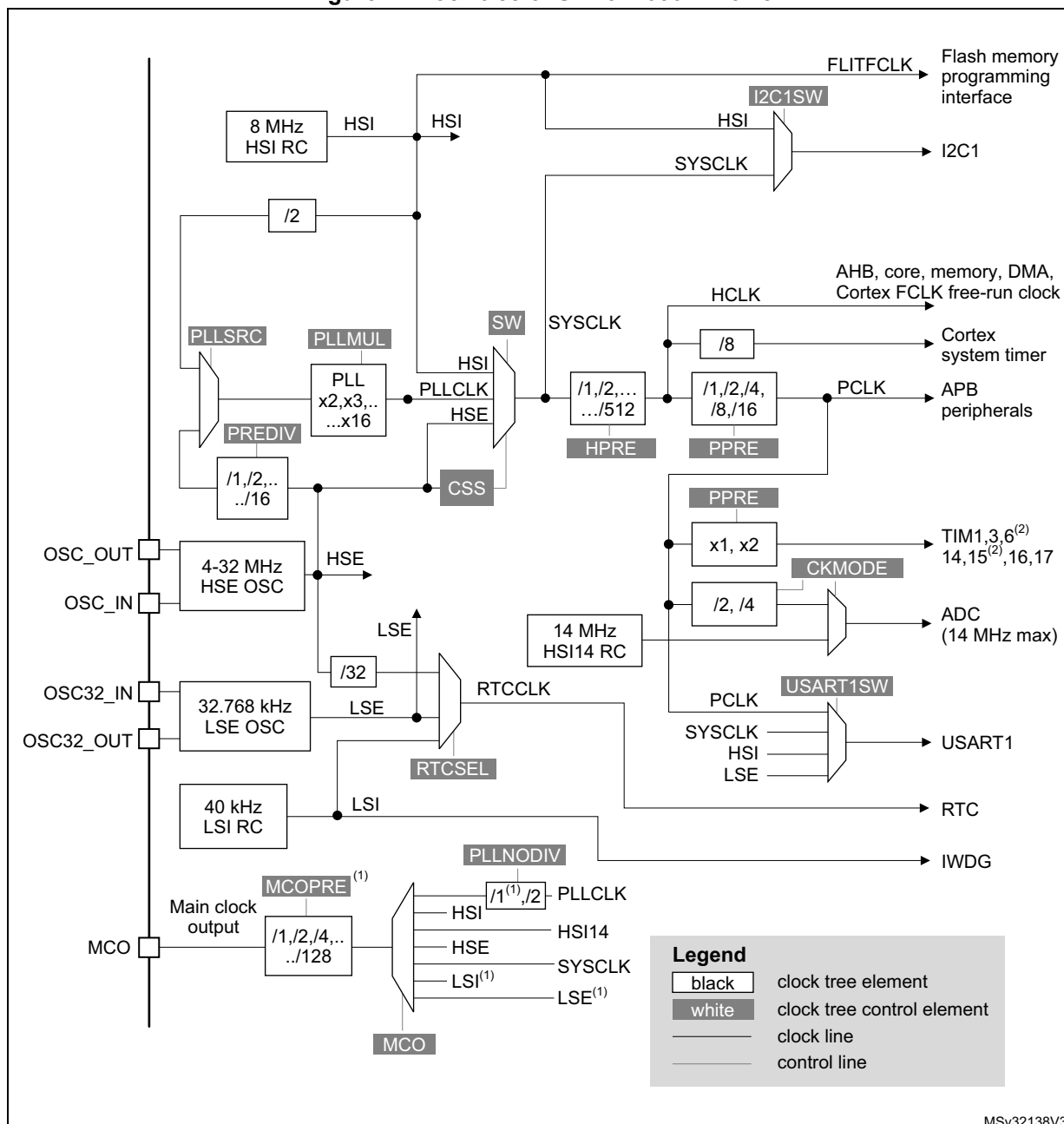
Note: The RTC, the IWDG, and the corresponding clock sources are not stopped by entering Stop or Standby mode.

3.6 Clocks and startup

System clock selection is performed on startup, however the internal RC 8 MHz oscillator is selected as default CPU clock on reset. An external 4-32 MHz clock can be selected, in which case it is monitored for failure. If failure is detected, the system automatically switches back to the internal RC oscillator. A software interrupt is generated if enabled. Similarly, full interrupt management of the PLL clock entry is available when necessary (for example on failure of an indirectly used external crystal, resonator or oscillator).

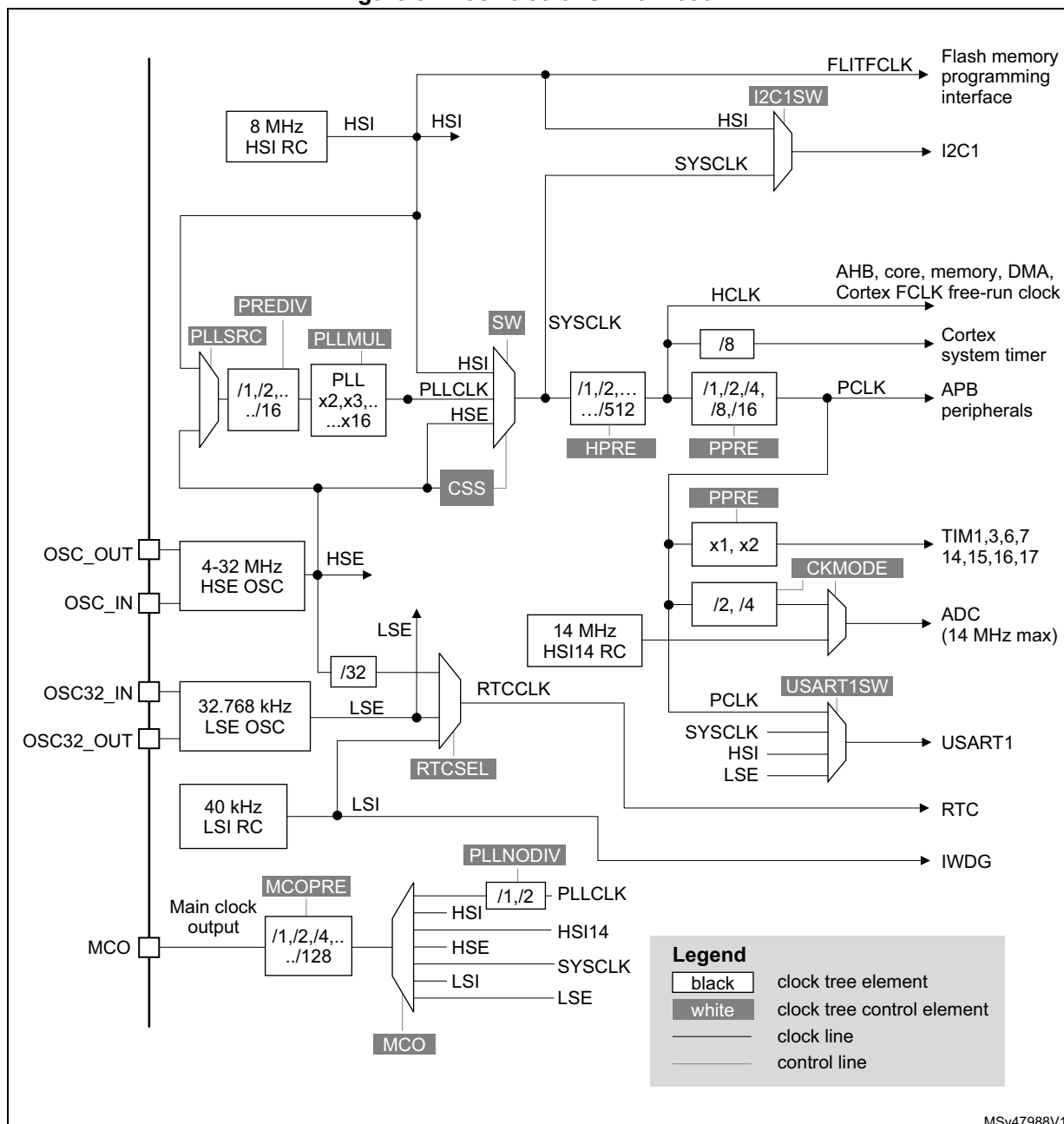
Several prescalers allow the application to configure the frequency of the AHB and the APB domains. The maximum frequency of the AHB and the APB domains is 48 MHz.

Figure 2. Clock tree of STM32F030x4/x6/x8



1. Applies to STM32F030x4/x6 devices.
2. Applies to STM32F030x8 devices.

Figure 3. Clock tree of STM32F030xC



3.7 General-purpose inputs/outputs (GPIOs)

Each of the GPIO pins can be configured by software as output (push-pull or open-drain), as input (with or without pull-up or pull-down) or as peripheral alternate function. Most of the GPIO pins are shared with digital or analog alternate functions.

The I/O configuration can be locked if needed following a specific sequence in order to avoid spurious writing to the I/Os registers.

3.8 Direct memory access controller (DMA)

The 5-channel general-purpose DMA manages memory-to-memory, peripheral-to-memory and memory-to-peripheral transfers.

The DMA supports circular buffer management, removing the need for user code intervention when the controller reaches the end of the buffer.

Each channel is connected to dedicated hardware DMA requests, with support for software trigger on each channel. Configuration is made by software and transfer sizes between source and destination are independent.

The DMA can be used with the main peripherals: SPI, I2C, USART, all TIMx timers (except TIM14) and ADC.

3.9 Interrupts and events

3.9.1 Nested vectored interrupt controller (NVIC)

The STM32F0xx family embeds a nested vectored interrupt controller able to handle up to 32 maskable interrupt channels (not including the 16 interrupt lines of Cortex[®]-M0) and 4 priority levels.

- Closely coupled NVIC gives low latency interrupt processing
- Interrupt entry vector table address passed directly to the core
- Closely coupled NVIC core interface
- Allows early processing of interrupts
- Processing of late arriving higher priority interrupts
- Support for tail-chaining
- Processor state automatically saved
- Interrupt entry restored on interrupt exit with no instruction overhead

This hardware block provides flexible interrupt management features with minimal interrupt latency.

3.9.2 Extended interrupt/event controller (EXTI)

The extended interrupt/event controller consists of 32 edge detector lines used to generate interrupt/event requests and wake-up the system. Each line can be independently configured to select the trigger event (rising edge, falling edge, both) and can be masked independently. A pending register maintains the status of the interrupt requests. The EXTI can detect an external line with a pulse width shorter than the internal clock period. Up to 55 GPIOs can be connected to the 16 external interrupt lines.

3.10 Analog to digital converter (ADC)

The 12-bit analog to digital converter has up to 16 external and two internal (temperature sensor, voltage reference measurement) channels and performs conversions in single-shot or scan modes. In scan mode, automatic conversion is performed on a selected group of analog inputs.

The ADC can be served by the DMA controller.

An analog watchdog feature allows very precise monitoring of the converted voltage of one, some or all selected channels. An interrupt is generated when the converted voltage is outside the programmed thresholds.

3.10.1 Temperature sensor

The temperature sensor (TS) generates a voltage V_{SENSE} that varies linearly with temperature.

The temperature sensor is internally connected to the ADC_IN16 input channel which is used to convert the sensor output voltage into a digital value.

The sensor provides good linearity but it has to be calibrated to obtain good overall accuracy of the temperature measurement. As the offset of the temperature sensor varies from chip to chip due to process variation, the uncalibrated internal temperature sensor is suitable for applications that detect temperature changes only.

To improve the accuracy of the temperature sensor measurement, each device is individually factory-calibrated by ST. The temperature sensor factory calibration data are stored by ST in the system memory area, accessible in read-only mode.

Table 3. Temperature sensor calibration values

| Calibration value name | Description | Memory address |
|------------------------|--|---------------------------|
| TS_CAL1 | TS ADC raw data acquired at a temperature of 30 °C (± 5 °C), $V_{DDA} = 3.3$ V (± 10 mV) | 0x1FFF F7B8 - 0x1FFF F7B9 |

3.10.2 Internal voltage reference (V_{REFINT})

The internal voltage reference (V_{REFINT}) provides a stable (bandgap) voltage output for the ADC. V_{REFINT} is internally connected to the ADC_IN17 input channel. The precise voltage of V_{REFINT} is individually measured for each part by ST during production test and stored in the system memory area. It is accessible in read-only mode.

Table 4. Internal voltage reference calibration values

| Calibration value name | Description | Memory address |
|------------------------|---|---------------------------|
| VREFINT_CAL | Raw data acquired at a temperature of 30 °C (± 5 °C), $V_{DDA} = 3.3$ V (± 10 mV) | 0x1FFF F7BA - 0x1FFF F7BB |

3.11 Timers and watchdogs

The STM32F030x4/x6/x8/xC devices include up to five general-purpose timers, two basic timers and one advanced control timer.

[Table 5](#) compares the features of the different timers.

Table 5. Timer feature comparison

| Timer type | Timer | Counter resolution | Counter type | Prescaler factor | DMA request generation | Capture/compare channels | Complementary outputs |
|------------------|---|--------------------|-------------------|---------------------------------|------------------------|--------------------------|-----------------------|
| Advanced control | TIM1 | 16-bit | Up, down, up/down | Any integer between 1 and 65536 | Yes | 4 | 3 |
| General purpose | TIM3 | 16-bit | Up, down, up/down | Any integer between 1 and 65536 | Yes | 4 | - |
| | TIM14 | 16-bit | Up | Any integer between 1 and 65536 | No | 1 | - |
| | TIM15 ⁽¹⁾ | 16-bit | Up | Any integer between 1 and 65536 | Yes | 2 | 1 |
| | TIM16, TIM17 | 16-bit | Up | Any integer between 1 and 65536 | Yes | 1 | 1 |
| Basic | TIM6, ⁽¹⁾ TIM7 ⁽²⁾ | 16-bit | Up | Any integer between 1 and 65536 | Yes | 0 | - |

1. Available on STM32F030x8 and STM32F030xC devices only.

2. Available on STM32F030xC devices only

3.11.1 Advanced-control timer (TIM1)

The advanced-control timer (TIM1) can be seen as a three-phase PWM multiplexed on six channels. It has complementary PWM outputs with programmable inserted dead times. It can also be seen as a complete general-purpose timer. The four independent channels can be used for:

- Input capture
- Output compare
- PWM generation (edge or center-aligned modes)
- One-pulse mode output

If configured as a standard 16-bit timer, it has the same features as the TIMx timer. If configured as the 16-bit PWM generator, it has full modulation capability (0-100%).

The counter can be frozen in debug mode.

Many features are shared with those of the standard timers which have the same architecture. The advanced control timer can therefore work together with the other timers via the Timer Link feature for synchronization or event chaining.

3.11.2 General-purpose timers (TIM3, TIM14..17)

There are four or five synchronizable general-purpose timers embedded in the STM32F030x4/x6/x8/xC devices (see [Table 5](#) for differences). Each general-purpose timer can be used to generate PWM outputs, or as simple time base.

TIM3

STM32F030x4/x6/x8/xC devices feature one synchronizable 4-channel general-purpose timer. TIM3 is based on a 16-bit auto-reload up/downcounter and a 16-bit prescaler. It features four independent channels each for input capture/output compare, PWM or one-pulse mode output. This gives up to 12 input captures/output compares/PWMs on the largest packages.

The TIM3 general-purpose timer can work with the TIM1 advanced-control timer via the Timer Link feature for synchronization or event chaining.

TIM3 has an independent DMA request generation.

This timer is capable of handling quadrature (incremental) encoder signals and the digital outputs from 1 to 3 hall-effect sensors.

The counter can be frozen in debug mode.

TIM14

This timer is based on a 16-bit auto-reload upcounter and a 16-bit prescaler.

TIM14 features one single channel for input capture/output compare, PWM or one-pulse mode output.

Its counter can be frozen in debug mode.

TIM15, TIM16 and TIM17

These timers are based on a 16-bit auto-reload upcounter and a 16-bit prescaler.

TIM15 has two independent channels, whereas TIM16 and TIM17 feature one single channel for input capture/output compare, PWM or one-pulse mode output.

The TIM15, TIM16 and TIM17 timers can work together, and TIM15 can also operate with TIM1 via the Timer Link feature for synchronization or event chaining.

TIM15 can be synchronized with TIM16 and TIM17.

TIM15, TIM16 and TIM17 have a complementary output with dead-time generation and independent DMA request generation.

Their counters can be frozen in debug mode.

3.11.3 Basic timers TIM6 and TIM7

These timers can be used as a generic 16-bit time base.

3.11.4 Independent watchdog (IWDG)

The independent watchdog is based on an 8-bit prescaler and 12-bit downcounter with user-defined refresh window. It is clocked from an independent 40 kHz internal RC and as it operates independently from the main clock, it can operate in Stop and Standby modes. It

can be used either as a watchdog to reset the device when a problem occurs, or as a free running timer for application timeout management. It is hardware or software configurable through the option bytes. The counter can be frozen in debug mode.

3.11.5 System window watchdog (WWDG)

The system window watchdog is based on a 7-bit downcounter that can be set as free running. It can be used as a watchdog to reset the device when a problem occurs. It is clocked from the APB clock (PCLK). It has an early warning interrupt capability and the counter can be frozen in debug mode.

3.11.6 SysTick timer

This timer is dedicated to real-time operating systems, but could also be used as a standard down counter. It features:

- A 24-bit down counter
- Autoreload capability
- Maskable system interrupt generation when the counter reaches 0
- Programmable clock source (HCLK or HCLK/8)

3.12 Real-time clock (RTC)

The RTC is an independent BCD timer/counter. Its main features are the following:

- Calendar with subseconds, seconds, minutes, hours (12 or 24 format), week day, date, month, year, in BCD (binary-coded decimal) format.
- Automatic correction for 28, 29 (leap year), 30, and 31 day of the month.
- Programmable alarm with wake up from Stop and Standby mode capability.
- Periodic wakeup unit with programmable resolution and period (on STM32F030xC only).
- On-the-fly correction from 1 to 32767 RTC clock pulses. This can be used to synchronize the RTC with a master clock.
- Digital calibration circuit with 1 ppm resolution, to compensate for quartz crystal inaccuracy.
- Two anti-tamper detection pins with programmable filter. The MCU can be woken up from Stop and Standby modes on tamper event detection.
- Timestamp feature which can be used to save the calendar content. This function can be triggered by an event on the timestamp pin, or by a tamper event. The MCU can be woken up from Stop and Standby modes on timestamp event detection.
- Reference clock detection: a more precise second source clock (50 or 60 Hz) can be used to enhance the calendar precision.

The RTC clock sources can be:

- A 32.768 kHz external crystal
- A resonator or oscillator
- The internal low-power RC oscillator (typical frequency of 40 kHz)
- The high-speed external clock divided by 32

3.13 Inter-integrated circuit interfaces (I²C)

Up to two I2C interfaces (I2C1 and I2C2) can operate in multimaster or slave modes. Both can support Standard mode (up to 100 kbit/s) or Fast mode (up to 400 kbit/s). I2C1 also supports Fast Mode Plus (up to 1 Mbit/s), with 20 mA output drive.

Both support 7-bit and 10-bit addressing modes, multiple 7-bit slave addresses (two addresses, one with configurable mask). They also include programmable analog and digital noise filters.

Table 6. Comparison of I2C analog and digital filters

| - | Analog filter | Digital filter |
|----------------------------------|---|--|
| Pulse width of suppressed spikes | ≥ 50 ns | Programmable length from 1 to 15 I2C peripheral clocks |
| Benefits | Available in Stop mode | 1. Extra filtering capability vs. standard requirements. 2. Stable length |
| Drawbacks | Variations depending on temperature, voltage, process | - |

In addition, I2C1 provides hardware support for SMBUS 2.0 and PMBUS 1.1: ARP capability, Host notify protocol, hardware CRC (PEC) generation/verification, timeouts verifications and ALERT protocol management

The I2C interfaces can be served by the DMA controller.

Refer to [Table 7](#) for the differences between I2C1 and I2C2.

Table 7. STM32F030x4/x6/x8/xC I²C implementation⁽¹⁾

| I2C features | I2C1 | I2C2 ⁽²⁾ |
|--|------|---------------------|
| 7-bit addressing mode | X | X |
| 10-bit addressing mode | X | X |
| Standard mode (up to 100 kbit/s) | X | X |
| Fast mode (up to 400 kbit/s) | X | X |
| Fast Mode Plus (up to 1 Mbit/s), with 20mA output drive I/Os | X | - |
| Independent clock | X | - |
| SMBus | X | - |
| Wakeup from STOP | - | - |

1. X = supported.

2. Only available on STM32F030x8/C devices.

3.14 Universal synchronous/asynchronous receiver/transmitter (USART)

The device embeds up to six universal synchronous/asynchronous receivers/transmitters that communicate at speeds of up to 6 Mbit/s.

[Table 8](#) gives an overview of features as implemented on the available USART interfaces. All USART interfaces can be served by the DMA controller.

Table 8. STM32F0x0 USART implementation⁽¹⁾

| USART modes/ features | STM32F030x4 STM32F030x6 | STM32F030x8 | | STM32F030xC | | | |
|---|----------------------------|-------------|--------|----------------------------|--------|--------|--------|
| | USART1 | USART1 | USART2 | USART1 USART2 USART3 | USART4 | USART5 | USART6 |
| Hardware flow control for modem | X | X | X | X | X | - | - |
| Continuous communication using DMA | X | X | X | X | X | X | X |
| Multiprocessor communication | X | X | X | X | X | X | X |
| Synchronous mode | X | X | X | X | X | X | - |
| Smartcard mode | - | - | - | - | - | - | - |
| Single-wire Half-duplex communication | X | X | X | X | X | X | X |
| IrDA SIR ENDEC block | - | - | - | - | - | - | - |
| LIN mode | - | - | - | - | - | - | - |
| Dual clock domain and wakeup from Stop mode | - | - | - | - | - | - | - |
| Receiver timeout interrupt | X | X | - | X | - | - | - |
| Modbus communication | - | - | - | - | - | - | - |
| Auto baud rate detection (supported modes) | 2 | 2 | - | 2 | - | - | - |
| Driver Enable | X | X | X | X | X | X | - |
| USART data length | 8 and 9 bits | | | 7, 8 and 9 bits | | | |

1. X = supported.

3.15 Serial peripheral interface (SPI)

Up to two SPIs are able to communicate up to 18 Mbit/s in slave and master modes in full-duplex and half-duplex communication modes. The 3-bit prescaler gives 8 master mode frequencies and the frame size is configurable from 4 bits to 16 bits.

SPI1 and SPI2 are identical and implement the set of features shown in the following table.

Table 9. STM32F030x4/x6/x8/xC SPI implementation⁽¹⁾

| SPI features | SPI1 | SPI2 ⁽²⁾ |
|--------------------------|------|---------------------|
| Hardware CRC calculation | X | X |
| Rx/Tx FIFO | X | X |
| NSS pulse mode | X | X |
| TI mode | X | X |

1. X = supported.

2. Not available on STM32F030x4/6.

3.16 Serial wire debug port (SW-DP)

An Arm SW-DP interface is provided to allow a serial wire debugging tool to be connected to the MCU.

4 Pinouts and pin descriptions

Figure 4. LQFP64 64-pin package pinout (top view), for STM32F030x4/6/8 devices

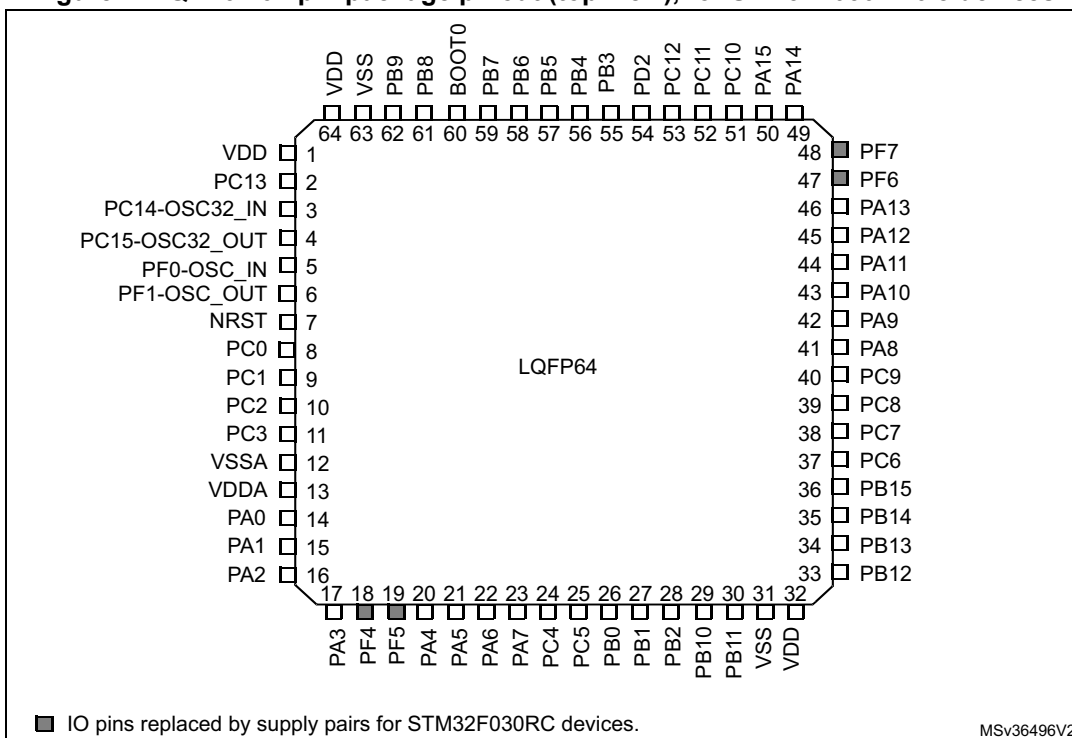


Figure 5. LQFP64 64-pin package pinout (top view), for STM32F030RC devices

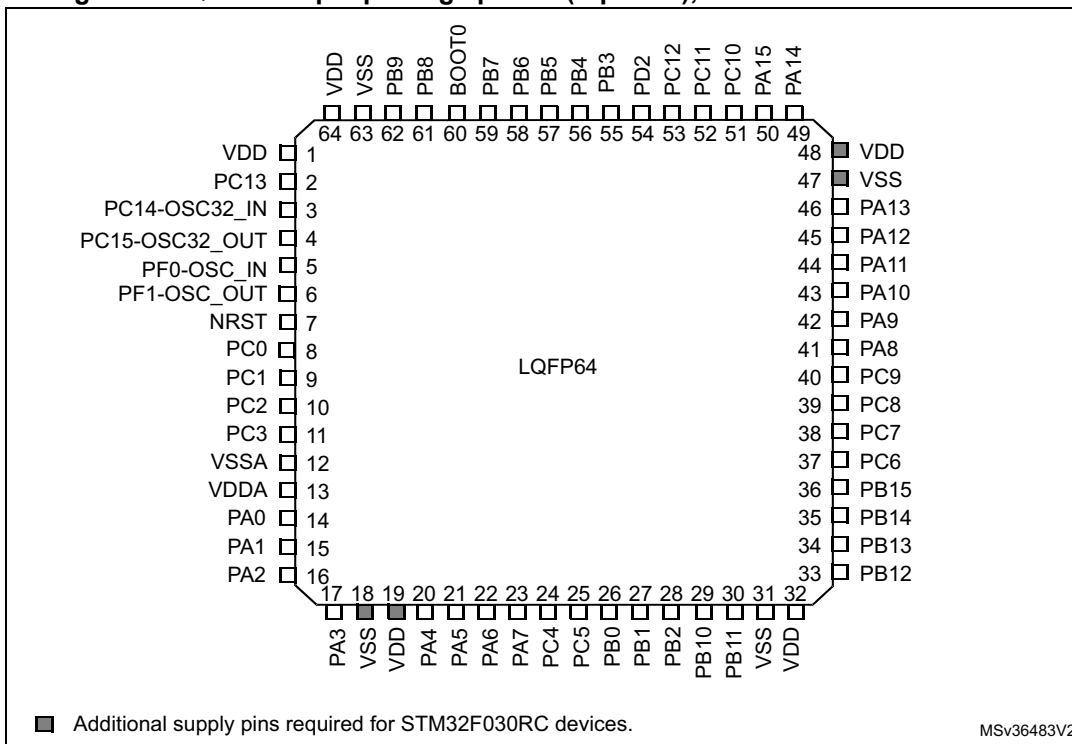


Figure 6. LQFP48 48-pin package pinout (top view), for STM32F030x4/6/8 devices

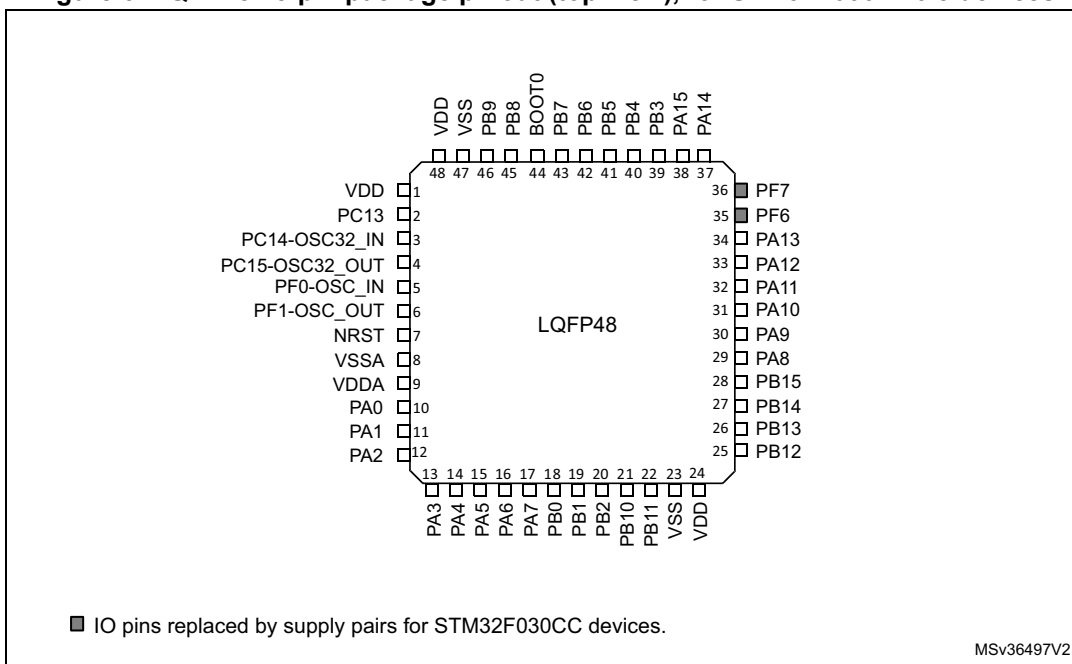


Figure 7. LQFP48 48-pin package pinout (top view), for STM32F030CC devices

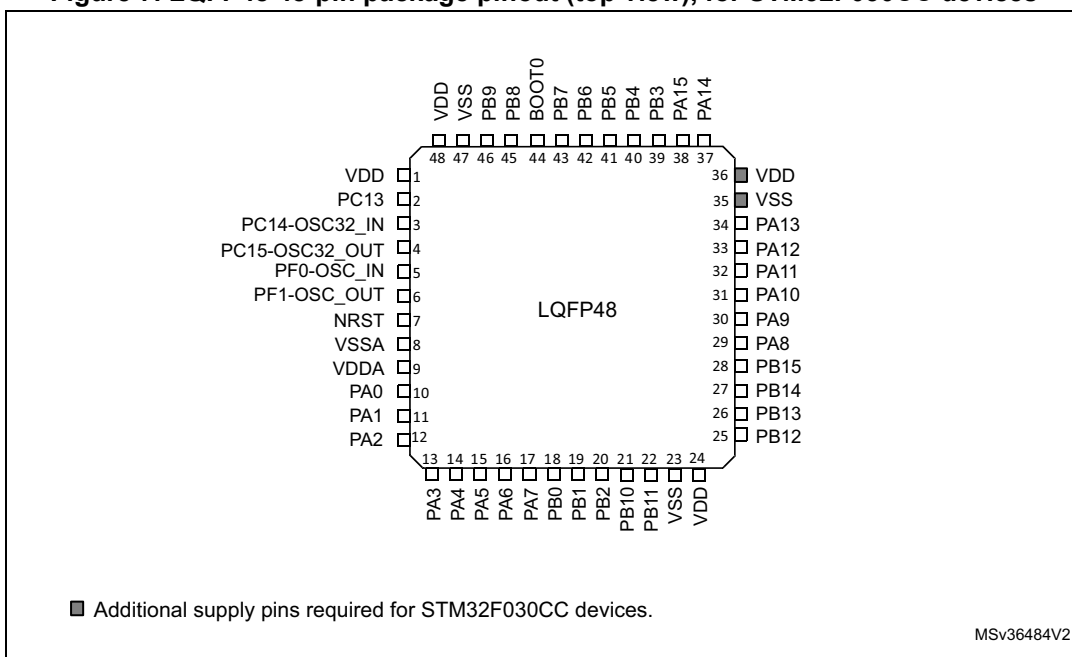


Figure 8. LQFP32 32-pin package pinout (top view)

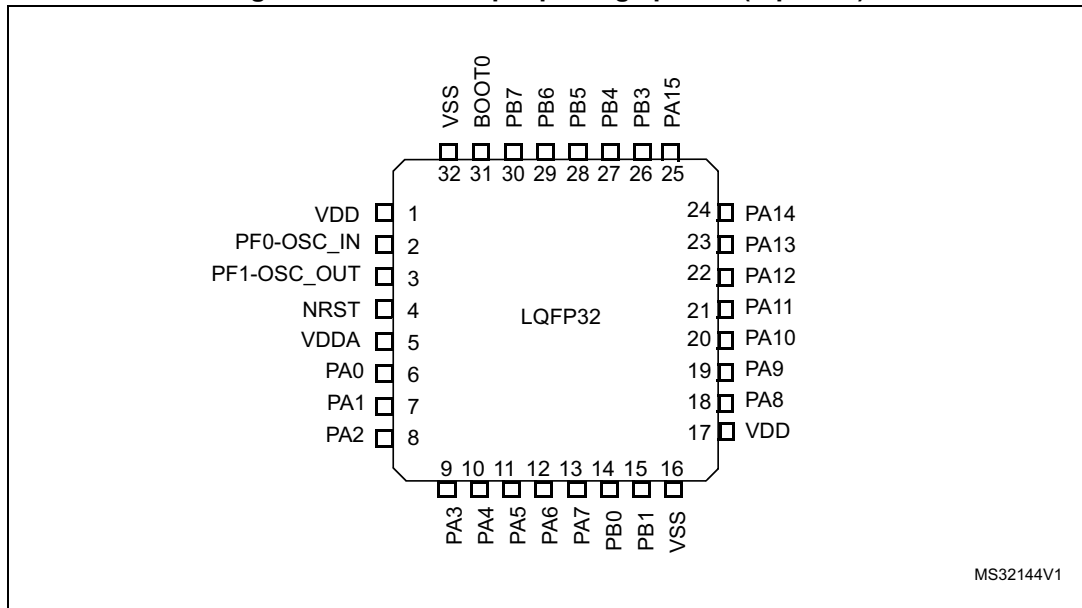
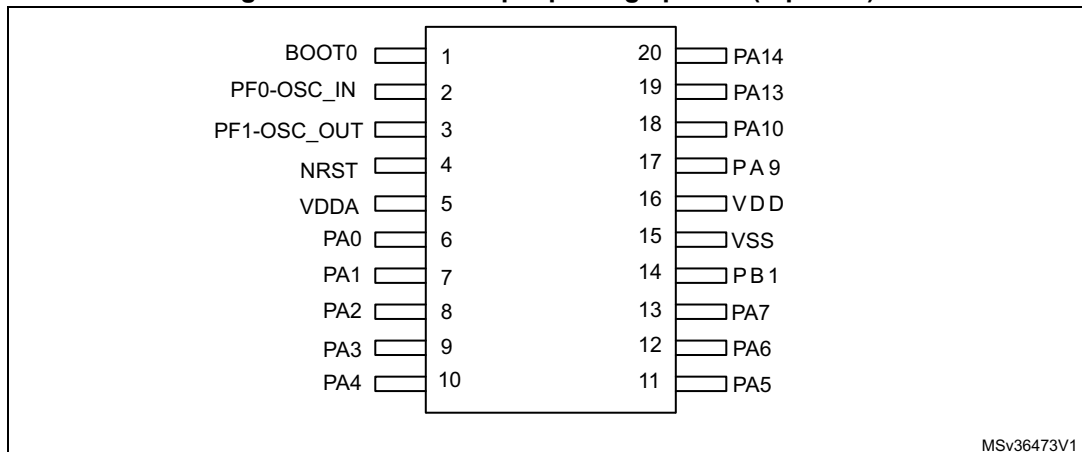


Figure 9. TSSOP20 20-pin package pinout (top view)



Pinouts and pin descriptions

STM32F030x4/x6/x8/xC

Table 10. Legend/abbreviations used in the pinout table

| Name | | Abbreviation | Definition |
|---------------|----------------------|---|---|
| Pin name | | Unless otherwise specified in brackets below the pin name, the pin function during and after reset is the same as the actual pin name | |
| Pin type | | S | Supply pin |
| | | I | Input only pin |
| | | I/O | Input / output pin |
| I/O structure | | FT | 5 V tolerant I/O |
| | | FTf | 5 V tolerant I/O, FM+ capable |
| | | TTa | 3.3 V tolerant I/O directly connected to ADC |
| | | TC | Standard 3.3 V I/O |
| | | B | Dedicated BOOT0 pin |
| | | RST | Bidirectional reset pin with embedded weak pull-up resistor |
| Notes | | Unless otherwise specified by a note, all I/Os are set as floating inputs during and after reset. | |
| Pin functions | Alternate functions | Functions selected through GPIOx_AFR registers | |
| | Additional functions | Functions directly selected/enabled through peripheral registers | |

Table 11. STM32F030x4/6/8/C pin definitions

| Pin number | | | | Pin name (function after reset) | Pin type | I/O structure | Notes | Pin functions | |
|------------|--------|--------|---------|---------------------------------------|----------|---------------|-------|--|--|
| LQFP64 | LQFP48 | LQFP32 | TSSOP20 | | | | | Alternate functions | Additional functions |
| 1 | 1 | - | - | VDD | S | - | - | Complementary power supply | |
| 2 | 2 | - | - | PC13 | I/O | TC | (1) | - | RTC_TAMP1, RTC_TS, RTC_OUT, WKUP2 |
| 3 | 3 | - | - | PC14-OSC32_IN (PC14) | I/O | TC | (1) | - | OSC32_IN |
| 4 | 4 | - | - | PC15-OSC32_OUT (PC15) | I/O | TC | (1) | - | OSC32_OUT |
| 5 | 5 | 2 | 2 | PF0-OSC_IN (PF0) | I/O | FT | - | I2C1_SDA ⁽⁵⁾ | OSC_IN |
| 6 | 6 | 3 | 3 | PF1-OSC_OUT (PF1) | I/O | FT | - | I2C1_SCL ⁽⁵⁾ | OSC_OUT |
| 7 | 7 | 4 | 4 | NRST | I/O | RST | - | Device reset input / internal reset output (active low) | |

Table 11. STM32F030x4/6/8/C pin definitions (continued)

| Pin number | | | | Pin name (function after reset) | Pin type | I/O structure | Notes | Pin functions | |
|-------------------|--------|--------|---------|---------------------------------------|----------|---------------|-------|--|---------------------------------|
| LQFP64 | LQFP48 | LQFP32 | TSSOP20 | | | | | Alternate functions | Additional functions |
| 8 | - | - | - | PC0 | I/O | TTa | - | EVENTOUT, USART6_TX ⁽⁵⁾ | ADC_IN10 |
| 9 | - | - | - | PC1 | I/O | TTa | - | EVENTOUT, USART6_RX ⁽⁵⁾ | ADC_IN11 |
| 10 | - | - | - | PC2 | I/O | TTa | - | SPI2_MISO ⁽⁵⁾ , EVENTOUT | ADC_IN12 |
| 11 | - | - | - | PC3 | I/O | TTa | - | SPI2_MOSI ⁽⁵⁾ , EVENTOUT | ADC_IN13 |
| 12 | 8 | - | - | VSSA | S | - | - | Analog ground | |
| 13 | 9 | 5 | 5 | VDDA | S | - | - | Analog power supply | |
| 14 | 10 | 6 | 6 | PA0 | I/O | TTa | - | USART1_CTS ⁽²⁾ , USART2_CTS ⁽³⁾⁽⁵⁾ , USART4_TX ⁽⁵⁾ | ADC_IN0, RTC_TAMP2, WKUP1 |
| 15 | 11 | 7 | 7 | PA1 | I/O | TTa | - | USART1_RTS ⁽²⁾ , USART2_RTS ⁽³⁾⁽⁵⁾ , EVENTOUT, USART4_RX ⁽⁵⁾ | ADC_IN1 |
| 16 | 12 | 8 | 8 | PA2 | I/O | TTa | - | USART1_TX ⁽²⁾ , USART2_TX ⁽³⁾⁽⁵⁾ , TIM15_CH1 ⁽³⁾⁽⁵⁾ | ADC_IN2, WKUP4 ⁽⁵⁾ |
| 17 | 13 | 9 | 9 | PA3 | I/O | TTa | - | USART1_RX ⁽²⁾ , USART2_RX ⁽³⁾⁽⁵⁾ , TIM15_CH2 ⁽³⁾⁽⁵⁾ | ADC_IN3 |
| 18 ⁽⁴⁾ | - | - | - | PF4 | I/O | FT | (4) | EVENTOUT | - |
| 18 ⁽⁵⁾ | - | - | - | VSS | S | - | (5) | Ground | |
| 19 ⁽⁴⁾ | - | - | - | PF5 | I/O | FT | (4) | EVENTOUT | - |
| 19 ⁽⁵⁾ | - | - | - | VDD | - | - | (5) | Complementary power supply | |
| 20 | 14 | 10 | 10 | PA4 | I/O | TTa | - | SPI1_NSS, USART1_CK ⁽²⁾ , USART2_CK ⁽³⁾⁽⁵⁾ , TIM14_CH1, USART6_TX ⁽⁵⁾ | ADC_IN4 |
| 21 | 15 | 11 | 11 | PA5 | I/O | TTa | - | SPI1_SCK, USART6_RX ⁽⁵⁾ | ADC_IN5 |

Pinouts and pin descriptions

STM32F030x4/x6/x8/xC

Table 11. STM32F030x4/6/8/C pin definitions (continued)

| Pin number | | | | Pin name (function after reset) | Pin type | I/O structure | Notes | Pin functions | |
|------------|--------|--------|---------|---------------------------------------|----------|---------------|----------------|--|--------------------------------|
| LQFP64 | LQFP48 | LQFP32 | TSSOP20 | | | | | Alternate functions | Additional functions |
| 22 | 16 | 12 | 12 | PA6 | I/O | TTa | - | SPI1_MISO, TIM3_CH1, TIM1_BKIN, TIM16_CH1, EVENTOUT, USART3_CTS ⁽⁵⁾ | ADC_IN6 |
| 23 | 17 | 13 | 13 | PA7 | I/O | TTa | - | SPI1_MOSI, TIM3_CH2, TIM14_CH1, TIM1_CH1N, TIM17_CH1, EVENTOUT | ADC_IN7 |
| 24 | - | - | - | PC4 | I/O | TTa | - | EVENTOUT, USART3_TX ⁽⁵⁾ | ADC_IN14 |
| 25 | - | - | - | PC5 | I/O | TTa | - | USART3_RX ⁽⁵⁾ | ADC_IN15, WKUP5 ⁽⁵⁾ |
| 26 | 18 | 14 | - | PB0 | I/O | TTa | - | TIM3_CH3, TIM1_CH2N, EVENTOUT, USART3_CK ⁽⁵⁾ | ADC_IN8 |
| 27 | 19 | 15 | 14 | PB1 | I/O | TTa | - | TIM3_CH4, TIM14_CH1, TIM1_CH3N, USART3_RTS ⁽⁵⁾ | ADC_IN9 |
| 28 | 20 | - | - | PB2 | I/O | FT | ⁽⁶⁾ | - | - |
| 29 | 21 | - | - | PB10 | I/O | FT | - | SPI2_SCK ⁽⁵⁾ , I2C1_SCL ⁽²⁾ , I2C2_SCL ⁽³⁾⁽⁵⁾ , USART3_TX ⁽⁵⁾ | - |
| 30 | 22 | - | - | PB11 | I/O | FT | - | I2C1_SDA ⁽²⁾ , I2C2_SDA ⁽³⁾⁽⁵⁾ , EVENTOUT, USART3_RX ⁽⁵⁾ | - |
| 31 | 23 | 16 | - | VSS | S | - | - | Ground | |
| 32 | 24 | 17 | 16 | VDD | S | - | - | Digital power supply | |
| 33 | 25 | - | - | PB12 | I/O | FT | - | SPI1_NSS ⁽²⁾ , SPI2_NSS ⁽³⁾⁽⁵⁾ , TIM1_BKIN, EVENTOUT, USART3_CK ⁽⁵⁾ | - |

STM32F030x4/x6/x8/xC

Pinouts and pin descriptions

Table 11. STM32F030x4/6/8/C pin definitions (continued)

| Pin number | | | | Pin name (function after reset) | Pin type | I/O structure | Notes | Pin functions | |
|------------|--------|--------|---------|---------------------------------------|----------|---------------|-------|--|------------------------------------|
| LQFP64 | LQFP48 | LQFP32 | TSSOP20 | | | | | Alternate functions | Additional functions |
| 34 | 26 | - | - | PB13 | I/O | FT | - | SPI1_SCK ⁽²⁾ , SPI2_SCK ⁽³⁾⁽⁵⁾ , I2C2_SCL ⁽⁵⁾ , TIM1_CH1N, USART3_CTS ⁽⁵⁾ | - |
| 35 | 27 | - | - | PB14 | I/O | FT | - | SPI1_MISO ⁽²⁾ , SPI2_MISO ⁽³⁾⁽⁵⁾ , I2C2_SDA ⁽⁵⁾ , TIM1_CH2N, TIM15_CH1 ⁽³⁾⁽⁵⁾ , USART3_RTS ⁽⁵⁾ | - |
| 36 | 28 | - | - | PB15 | I/O | FT | - | SPI1_MOSI ⁽²⁾ , SPI2_MOSI ⁽³⁾⁽⁵⁾ , TIM1_CH3N, TIM15_CH1N ⁽³⁾⁽⁵⁾ , TIM15_CH2 ⁽³⁾⁽⁵⁾ | RTC_REFIN, WKUP7 ⁽⁵⁾ |
| 37 | - | - | - | PC6 | I/O | FT | - | TIM3_CH1 | - |
| 38 | - | - | - | PC7 | I/O | FT | - | TIM3_CH2 | - |
| 39 | - | - | - | PC8 | I/O | FT | - | TIM3_CH3 | - |
| 40 | - | - | - | PC9 | I/O | FT | - | TIM3_CH4 | - |
| 41 | 29 | 18 | - | PA8 | I/O | FT | - | USART1_CK, TIM1_CH1, EVENTOUT, MCO | - |
| 42 | 30 | 19 | 17 | PA9 | I/O | FT | - | USART1_TX, TIM1_CH2, TIM15_BKIN ⁽³⁾⁽⁵⁾ , I2C1_SCL ⁽²⁾⁽⁵⁾ | - |
| 43 | 31 | 20 | 18 | PA10 | I/O | FT | - | USART1_RX, TIM1_CH3, TIM17_BKIN, I2C1_SDA ⁽²⁾⁽⁵⁾ | - |
| 44 | 32 | 21 | - | PA11 | I/O | FT | - | USART1_CTS, TIM1_CH4, EVENTOUT, I2C2_SCL ⁽⁵⁾ | - |
| 45 | 33 | 22 | - | PA12 | I/O | FT | - | USART1_RTS, TIM1_ETR, EVENTOUT, I2C2_SDA ⁽⁵⁾ | - |

Pinouts and pin descriptions

STM32F030x4/x6/x8/xC

Table 11. STM32F030x4/6/8/C pin definitions (continued)

| Pin number | | | | Pin name (function after reset) | Pin type | I/O structure | Notes | Pin functions | |
|-------------------|-------------------|--------|---------|---------------------------------------|----------|---------------|-------|---|----------------------|
| LQFP64 | LQFP48 | LQFP32 | TSSOP20 | | | | | Alternate functions | Additional functions |
| 46 | 34 | 23 | 19 | PA13 (SWDIO) | I/O | FT | (7) | IR_OUT, SWDIO | - |
| 47 ⁽⁴⁾ | 35 ⁽⁴⁾ | - | - | PF6 | I/O | FT | (4) | I2C1_SCL ⁽²⁾ , I2C2_SCL ⁽³⁾ | - |
| 47 ⁽⁵⁾ | 35 ⁽⁵⁾ | - | - | VSS | S | - | (5) | Ground | |
| 48 ⁽⁴⁾ | 36 ⁽⁴⁾ | - | - | PF7 | I/O | FT | (4) | I2C1_SDA ⁽²⁾ , I2C2_SDA ⁽³⁾ | - |
| 48 ⁽⁵⁾ | 36 ⁽⁵⁾ | - | - | VDD | S | - | (5) | Complementary power supply | |
| 49 | 37 | 24 | 20 | PA14 (SWCLK) | I/O | FT | (7) | USART1_TX ⁽²⁾ , USART2_TX ⁽³⁾⁽⁵⁾ , SWCLK | - |
| 50 | 38 | 25 | - | PA15 | I/O | FT | - | SPI1_NSS, USART1_RX ⁽²⁾ , USART2_RX ⁽³⁾⁽⁵⁾ , USART4_RTS ⁽⁵⁾ , EVENTOUT | - |
| 51 | - | - | - | PC10 | I/O | FT | - | USART3_TX ⁽⁵⁾ , USART4_TX ⁽⁵⁾ | - |
| 52 | - | - | - | PC11 | I/O | FT | - | USART3_RX ⁽⁵⁾ , USART4_RX ⁽⁵⁾ | - |
| 53 | - | - | - | PC12 | I/O | FT | - | USART3_CK ⁽⁵⁾ , USART4_CK ⁽⁵⁾ , USART5_TX ⁽⁵⁾ | - |
| 54 | - | - | - | PD2 | I/O | FT | - | TIM3_ETR, USART3_RTS ⁽⁵⁾ , USART5_RX ⁽⁵⁾ | - |
| 55 | 39 | 26 | - | PB3 | I/O | FT | - | SPI1_SCK, EVENTOUT, USART5_TX ⁽⁵⁾ | - |
| 56 | 40 | 27 | - | PB4 | I/O | FT | - | SPI1_MISO, TIM3_CH1, EVENTOUT, TIM17_BKIN ⁽⁵⁾ , USART5_RX ⁽⁵⁾ | - |
| 57 | 41 | 28 | - | PB5 | I/O | FT | - | SPI1_MOSI, I2C1_SMBA, TIM16_BKIN, TIM3_CH2, USART5_CK_RTS ⁽⁵⁾ | WKUP6 ⁽⁵⁾ |

Table 11. STM32F030x4/6/8/C pin definitions (continued)

| Pin number | | | | Pin name (function after reset) | Pin type | I/O structure | Notes | Pin functions | |
|------------|--------|--------|---------|---------------------------------------|----------|---------------|----------------|---|----------------------|
| LQFP64 | LQFP48 | LQFP32 | TSSOP20 | | | | | Alternate functions | Additional functions |
| 58 | 42 | 29 | - | PB6 | I/O | FTf | - | I2C1_SCL, USART1_TX, TIM16_CH1N | - |
| 59 | 43 | 30 | - | PB7 | I/O | FTf | - | I2C1_SDA, USART1_RX, TIM17_CH1N, USART4_CTS ⁽⁵⁾ | - |
| 60 | 44 | 31 | 1 | BOOT0 | I | B | - | Boot memory selection | |
| 61 | 45 | - | - | PB8 | I/O | FTf | ⁽⁶⁾ | I2C1_SCL, TIM16_CH1 | - |
| 62 | 46 | - | - | PB9 | I/O | FTf | - | I2C1_SDA, IR_OUT, SPI2_NSS ⁽⁵⁾ , TIM17_CH1, EVENTOUT | - |
| 63 | 47 | 32 | 15 | VSS | S | - | - | Ground | |
| 64 | 48 | 1 | 16 | VDD | S | - | - | Digital power supply | |

- PC13, PC14 and PC15 are supplied through the power switch. Since the switch only sinks a limited amount of current (3 mA), the use of GPIOs PC13 to PC15 in output mode is limited:
 - The speed should not exceed 2 MHz with a maximum load of 30 pF.
 - These GPIOs must not be used as current sources (e.g. to drive an LED).
- This feature is available on STM32F030x6 and STM32F030x4 devices only.
- This feature is available on STM32F030x8 devices only.
- For STM32F030x4/6/8 devices only.
- For STM32F030xC devices only.
- On LQFP32 package, PB2 and PB8 should be treated as unconnected pins (even when they are not available on the package, they are not forced to a defined level by hardware).
- After reset, these pins are configured as SWDIO and SWCLK alternate functions, and the internal pull-up on SWDIO pin and internal pull-down on SWCLK pin are activated.


Table 12. Alternate functions selected through GPIOA_AFR registers for port A

| Pin name | AF0 | AF1 | AF2 | AF3 | AF4 | AF5 | AF6 |
|----------|------------------------------|------------------------------|-----------|----------|----------------------------|---------------------------|----------|
| PA0 | - | USART1_CTS ⁽²⁾ | - | - | USART4_TX ⁽¹⁾ | - | - |
| | | USART2_CTS ⁽¹⁾⁽³⁾ | | | | | |
| PA1 | EVENTOUT | USART1_RTS ⁽²⁾ | - | - | USART4_RX ⁽¹⁾ | TIM15_CH1N ⁽¹⁾ | - |
| | | USART2_RTS ⁽¹⁾⁽³⁾ | | | | | |
| PA2 | TIM15_CH1 ⁽¹⁾⁽³⁾ | USART1_TX ⁽²⁾ | - | - | - | - | - |
| | | USART2_TX ⁽¹⁾⁽³⁾ | | | | | |
| PA3 | TIM15_CH2 ⁽¹⁾⁽³⁾ | USART1_RX ⁽²⁾ | - | - | - | - | - |
| | | USART2_RX ⁽¹⁾⁽³⁾ | | | | | |
| PA4 | SPI1_NSS | USART1_CK ⁽²⁾ | - | - | TIM14_CH1 | USART6_TX ⁽¹⁾ | - |
| | | USART2_CK ⁽¹⁾⁽³⁾ | | | | | |
| PA5 | SPI1_SCK | - | - | - | - | USART6_RX ⁽¹⁾ | - |
| PA6 | SPI1_MISO | TIM3_CH1 | TIM1_BKIN | - | USART3_CTS ⁽¹⁾ | TIM16_CH1 | EVENTOUT |
| PA7 | SPI1_MOSI | TIM3_CH2 | TIM1_CH1N | - | TIM14_CH1 | TIM17_CH1 | EVENTOUT |
| PA8 | MCO | USART1_CK | TIM1_CH1 | EVENTOUT | - | - | - |
| PA9 | TIM15_BKIN ⁽¹⁾⁽³⁾ | USART1_TX | TIM1_CH2 | - | I2C1_SCL ⁽¹⁾⁽²⁾ | MCO ⁽¹⁾ | - |
| PA10 | TIM17_BKIN | USART1_RX | TIM1_CH3 | - | I2C1_SDA ⁽¹⁾⁽²⁾ | - | - |
| PA11 | EVENTOUT | USART1_CTS | TIM1_CH4 | - | - | SCL | - |

Table 12. Alternate functions selected through GPIOA_AFR registers for port A (continued)

| Pin name | AF0 | AF1 | AF2 | AF3 | AF4 | AF5 | AF6 |
|----------|----------|-----------------------------|----------|----------|---------------------------|-----|-----|
| PA12 | EVENTOUT | USART1_RTS | TIM1_ETR | - | - | SDA | - |
| PA13 | SWDIO | IR_OUT | - | - | - | - | - |
| PA14 | SWCLK | USART1_TX ⁽²⁾ | - | - | - | - | - |
| | | USART2_TX ⁽¹⁾⁽³⁾ | | | | | |
| PA15 | SPI1_NSS | USART1_RX ⁽²⁾ | - | EVENTOUT | USART4_RTS ⁽¹⁾ | - | - |
| | | USART2_RX ⁽¹⁾⁽³⁾ | | | | | |

1. This feature is available on STM32F030xC devices.
2. This feature is available on STM32F030x4 and STM32F030x6 devices.
3. This feature is available on STM32F030x8 devices.

Table 13. Alternate functions selected through GPIOB_AFR registers for port B

| Pin name | AF0 | AF1 | AF2 | AF3 | AF4 | AF5 |
|----------|-----------|----------|------------|-----------|------------------------------|---------------------------|
| PB0 | EVENTOUT | TIM3_CH3 | TIM1_CH2N | - | USART3_CK ⁽¹⁾ | - |
| PB1 | TIM14_CH1 | TIM3_CH4 | TIM1_CH3N | - | USART3_RTS ⁽¹⁾ | - |
| PB2 | - | - | - | - | - | - |
| PB3 | SPI1_SCK | EVENTOUT | - | - | USART5_TX ⁽¹⁾ | - |
| PB4 | SPI1_MISO | TIM3_CH1 | EVENTOUT | - | USART5_RX ⁽¹⁾ | TIM17_BKIN ⁽¹⁾ |
| PB5 | SPI1_MOSI | TIM3_CH2 | TIM16_BKIN | I2C1_SMBA | USART5_CK_RTS ⁽¹⁾ | - |
| PB6 | USART1_TX | I2C1_SCL | TIM16_CH1N | - | - | - |
| PB7 | USART1_RX | I2C1_SDA | TIM17_CH1N | - | USART4_CTS ⁽¹⁾ | - |


Table 13. Alternate functions selected through GPIOB_AFR registers for port B (continued)

| Pin name | AF0 | AF1 | AF2 | AF3 | AF4 | AF5 |
|----------|-----------------------------|-----------------------------|-----------|------------------------------|---------------------------|-------------------------|
| PB8 | - | I2C1_SCL | TIM16_CH1 | - | - | - |
| PB9 | IR_OUT | I2C1_SDA | TIM17_CH1 | EVENTOUT | - | SPI2_NSS ⁽¹⁾ |
| PB10 | - | I2C1_SCL ⁽²⁾ | - | - | USART3_TX ⁽¹⁾ | SPI2_SCK ⁽¹⁾ |
| | | I2C2_SCL ⁽¹⁾⁽³⁾ | | | | |
| PB11 | EVENTOUT | I2C1_SDA ⁽²⁾ | - | - | USART3_RX ⁽¹⁾ | - |
| | | I2C2_SDA ⁽¹⁾⁽³⁾ | | | | |
| PB12 | SPI1_NSS ⁽²⁾ | EVENTOUT | TIM1_BKIN | - | USART3_RTS ⁽¹⁾ | TIM15 ⁽¹⁾ |
| | SPI2_NSS ⁽¹⁾⁽³⁾ | | | | | |
| PB13 | SPI1_SCK ⁽²⁾ | - | TIM1_CH1N | - | USART3_CTS ⁽¹⁾ | I2C2_SCL ⁽¹⁾ |
| | SPI2_SCK ⁽¹⁾⁽³⁾ | | | | | |
| PB14 | SPI1_MISO ⁽²⁾ | TIM15_CH1 ⁽¹⁾⁽³⁾ | TIM1_CH2N | - | USART3_RTS ⁽¹⁾ | I2C2_SDA ⁽¹⁾ |
| | SPI2_MISO ⁽¹⁾⁽³⁾ | | | | | |
| PB15 | SPI1_MOSI ⁽²⁾ | TIM15_CH2 ⁽¹⁾⁽³⁾ | TIM1_CH3N | TIM15_CH1N ⁽¹⁾⁽³⁾ | - | - |
| | SPI2_MOSI ⁽¹⁾⁽³⁾ | | | | | |

1. This feature is available on STM32F030xC devices.
2. This feature is available on STM32F030x4 and STM32F030x6 devices.
3. This feature is available on STM32F030x8 devices.

STM32F030x4/x6/x8/xC

Table 14. Alternate functions selected through GPIOC_AFR⁽¹⁾ registers for port C

| Pin name | AF0 ⁽²⁾ | AF1 ⁽¹⁾ | AF2 ⁽¹⁾ |
|----------|--------------------------|--------------------|--------------------|
| PC0 | EVENTOUT | - | USART6_TX |
| PC1 | EVENTOUT | - | USART6_RX |
| PC2 | EVENTOUT | SPI2_MISO | - |
| PC3 | EVENTOUT | SPI2_MOSI | - |
| PC4 | EVENTOUT | USART3_TX | - |
| PC5 | - | USART3_RX | - |
| PC6 | TIM3_CH1 | - | - |
| PC7 | TIM3_CH2 | - | - |
| PC8 | TIM3_CH3 | - | - |
| PC9 | TIM3_CH4 | - | - |
| PC10 | USART4_TX ⁽¹⁾ | USART3_TX | - |
| PC11 | USART4_RX ⁽¹⁾ | USART3_RX | - |
| PC12 | USART4_CK ⁽¹⁾ | USART3_CK | USART5_TX |
| PC13 | - | - | - |
| PC14 | - | - | - |
| PC15 | - | - | - |

1. Available on STM32F030xC devices only.
2. Default alternate functions for STM32F030x4/x6/x8 devices (they do not have the GPIOC_AFR registers).

Table 15. Alternate functions selected through GPIOD_AFR⁽¹⁾ registers for port D

| Pin name | AF0 ⁽²⁾ | AF1 ⁽¹⁾ | AF2 ⁽¹⁾ |
|----------|--------------------|--------------------|--------------------|
| PD2 | TIM3_ETR | USART3_RTS | USART5_RX |

1. Available on STM32F030xC devices only.
2. Default alternate functions for STM32F030x4/x6/x8 devices (they do not have the GPIOD_AFR registers).

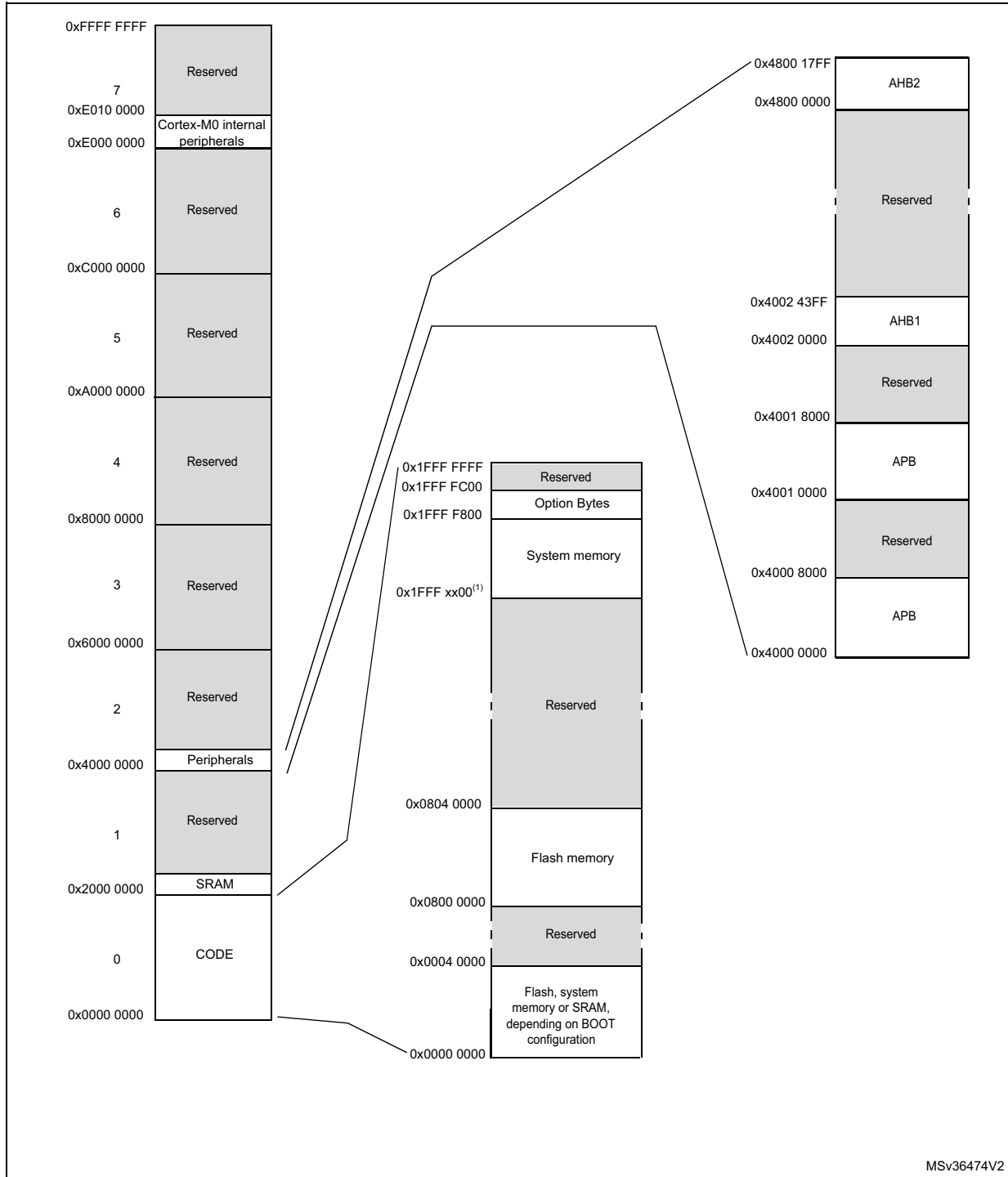
Table 16. Alternate functions selected through GPIOF_AFR⁽¹⁾ registers for port F

| Pin name | AF0 ⁽²⁾ | AF1 ⁽¹⁾ |
|----------|---|--------------------|
| PF0 | - | I2C1_SDA |
| PF1 | - | I2C1_SCL |
| PF4 | EVENTOUT ⁽¹⁾ | |
| PF5 | EVENTOUT ⁽¹⁾ | |
| PF6 | I2C1_SCL ⁽³⁾ , I2C2_SCL ⁽⁴⁾ | |
| PF7 | I2C1_SDA ⁽³⁾ , I2C2_SDA ⁽⁴⁾ | |

1. Available on STM32F030xC devices only.
2. Default alternate functions for STM32F030x4/x6/x8 devices (they do not have the GPIOF_AFR registers).
3. Applies to STM32F030x4/x6
4. Applies to STM32F030x8

5 Memory mapping

Figure 10. STM32F030x4/x6/x8/xC memory map



1. The start address of the system memory is 0x1FFF EC00 for STM32F030x4, STM32F030x6 and STM32F030x8 devices, and 0x1FFF D800 for STM32F030xC devices.

Table 17. STM32F030x4/x6/x8/xC peripheral register boundary addresses

| Bus | Boundary address | Size | Peripheral |
|------|---------------------------|---------|-----------------------|
| - | 0x4800 1800 - 0x5FFF FFFF | ~384 MB | Reserved |
| AHB2 | 0x4800 1400 - 0x4800 17FF | 1 KB | GPIOF |
| | 0x4800 1000 - 0x4800 13FF | 1 KB | Reserved |
| | 0x4800 0C00 - 0x4800 0FFF | 1 KB | GPIOD |
| | 0x4800 0800 - 0x4800 0BFF | 1 KB | GPIOC |
| | 0x4800 0400 - 0x4800 07FF | 1 KB | GPIOB |
| | 0x4800 0000 - 0x4800 03FF | 1 KB | GPIOA |
| - | 0x4002 4400 - 0x47FF FFFF | ~128 MB | Reserved |
| AHB1 | 0x4002 3400 - 0x4002 43FF | 4 KB | Reserved |
| | 0x4002 3000 - 0x4002 33FF | 1 KB | CRC |
| | 0x4002 2400 - 0x4002 2FFF | 3 KB | Reserved |
| | 0x4002 2000 - 0x4002 23FF | 1 KB | FLASH Interface |
| | 0x4002 1400 - 0x4002 1FFF | 3 KB | Reserved |
| | 0x4002 1000 - 0x4002 13FF | 1 KB | RCC |
| | 0x4002 0400 - 0x4002 0FFF | 3 KB | Reserved |
| | 0x4002 0000 - 0x4002 03FF | 1 KB | DMA |
| - | 0x4001 8000 - 0x4001 FFFF | 32 KB | Reserved |
| APB | 0x4001 5C00 - 0x4001 7FFF | 9 KB | Reserved |
| | 0x4001 5800 - 0x4001 5BFF | 1 KB | DBGMCU |
| | 0x4001 4C00 - 0x4001 57FF | 3 KB | Reserved |
| | 0x4001 4800 - 0x4001 4BFF | 1 KB | TIM17 |
| | 0x4001 4400 - 0x4001 47FF | 1 KB | TIM16 |
| | 0x4001 4000 - 0x4001 43FF | 1 KB | TIM15 ⁽¹⁾ |
| | 0x4001 3C00 - 0x4001 3FFF | 1 KB | Reserved |
| | 0x4001 3800 - 0x4001 3BFF | 1 KB | USART1 |
| | 0x4001 3400 - 0x4001 37FF | 1 KB | Reserved |
| | 0x4001 3000 - 0x4001 33FF | 1 KB | SPI1 |
| | 0x4001 2C00 - 0x4001 2FFF | 1 KB | TIM1 |
| | 0x4001 2800 - 0x4001 2BFF | 1 KB | Reserved |
| | 0x4001 2400 - 0x4001 27FF | 1 KB | ADC |
| | 0x4001 1800 - 0x4001 23FF | 3 KB | Reserved |
| | 0x4001 1400 - 0x4001 17FF | 1 KB | USART6 ⁽²⁾ |
| | 0x4001 0800 - 0x4001 13FF | 3 KB | Reserved |
| | 0x4001 0400 - 0x4001 07FF | 1 KB | EXTI |
| | 0x4001 0000 - 0x4001 03FF | 1 KB | SYSCFG |

Table 17. STM32F030x4/x6/x8/xC peripheral register boundary addresses (continued)

| Bus | Boundary address | Size | Peripheral |
|---------------------------|---------------------------|----------|-----------------------|
| - | 0x4000 8000 - 0x4000 FFFF | 32 KB | Reserved |
| APB | 0x4000 7400 - 0x4000 7FFF | 3 KB | Reserved |
| | 0x4000 7000 - 0x4000 73FF | 1 KB | PWR |
| | 0x4000 5C00 - 0x4000 6FFF | 5 KB | Reserved |
| | 0x4000 5800 - 0x4000 5BFF | 1 KB | I2C2 ⁽¹⁾ |
| | 0x4000 5400 - 0x4000 57FF | 1 KB | I2C1 |
| | 0x4000 5000 - 0x4000 53FF | 1 KB | USART5 ⁽²⁾ |
| | 0x4000 4C00 - 0x4000 4FFF | 1 KB | USART4 ⁽²⁾ |
| | 0x4000 4800 - 0x4000 4BFF | 1 KB | USART3 ⁽²⁾ |
| | 0x4000 4400 - 0x4000 47FF | 1 KB | USART2 ⁽¹⁾ |
| | 0x4000 3C00 - 0x4000 43FF | 2 KB | Reserved |
| | 0x4000 3800 - 0x4000 3BFF | 1 KB | SPI2 ⁽¹⁾ |
| | 0x4000 3400 - 0x4000 37FF | 1 KB | Reserved |
| | 0x4000 3000 - 0x4000 33FF | 1 KB | IWDG |
| | 0x4000 2C00 - 0x4000 2FFF | 1 KB | WWDG |
| | 0x4000 2800 - 0x4000 2BFF | 1 KB | RTC |
| | 0x4000 2400 - 0x4000 27FF | 1 KB | Reserved |
| | 0x4000 2000 - 0x4000 23FF | 1 KB | TIM14 |
| | 0x4000 1800 - 0x4000 1FFF | 2 KB | Reserved |
| | 0x4000 1400 - 0x4000 17FF | 1 KB | TIM7 ⁽²⁾ |
| | 0x4000 1000 - 0x4000 13FF | 1 KB | TIM6 ⁽¹⁾ |
| 0x4000 0800 - 0x4000 0FFF | 2 KB | Reserved | |
| 0x4000 0400 - 0x4000 07FF | 1 KB | TIM3 | |
| 0x4000 0000 - 0x4000 03FF | 1 KB | Reserved | |

1. This feature is available on STM32F030x8 and STM32F030xC devices only. For STM32F030x6 and STM32F060x4, the area is Reserved.
2. This feature is available on STM32F030xC devices only. This area is reserved for STM32F030x4/6/8 devices.

6 Electrical characteristics

6.1 Parameter conditions

Unless otherwise specified, all voltages are referenced to V_{SS} .

6.1.1 Minimum and maximum values

Unless otherwise specified, the minimum and maximum values are guaranteed in the worst conditions of ambient temperature, supply voltage and frequencies by tests in production on 100% of the devices with an ambient temperature at $T_A = 25\text{ °C}$ and $T_A = T_{Amax}$ (given by the selected temperature range).

Data based on characterization results, design simulation and/or technology characteristics are indicated in the table footnotes and are not tested in production. Based on characterization, the minimum and maximum values refer to sample tests and represent the mean value plus or minus three times the standard deviation (mean $\pm 3\sigma$).

6.1.2 Typical values

Unless otherwise specified, typical data are based on $T_A = 25\text{ °C}$, $V_{DD} = V_{DDA} = 3.3\text{ V}$. They are given only as design guidelines and are not tested.

Typical ADC accuracy values are determined by characterization of a batch of samples from a standard diffusion lot over the full temperature range, where 95% of the devices have an error less than or equal to the value indicated (mean $\pm 2\sigma$).

6.1.3 Typical curves

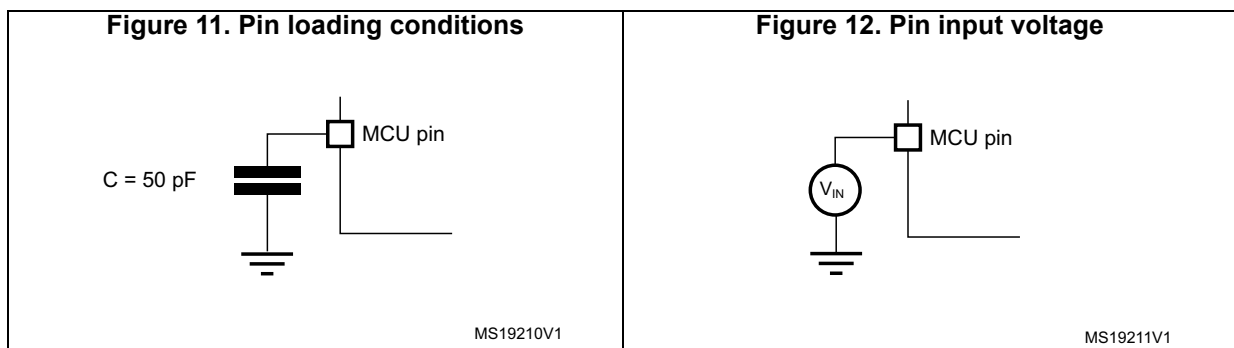
Unless otherwise specified, all typical curves are given only as design guidelines and are not tested.

6.1.4 Loading capacitor

The loading conditions used for pin parameter measurement are shown in [Figure 11](#).

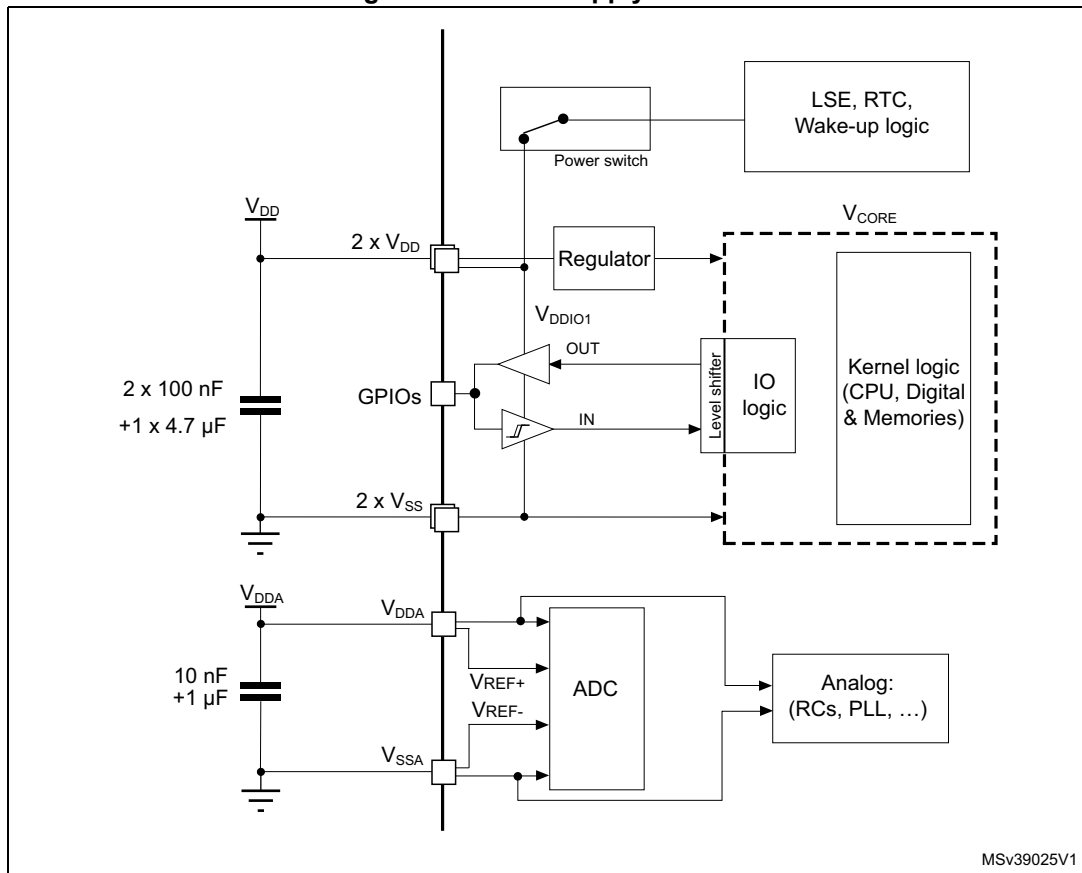
6.1.5 Pin input voltage

The input voltage measurement on a pin of the device is described in [Figure 12](#).



6.1.6 Power supply scheme

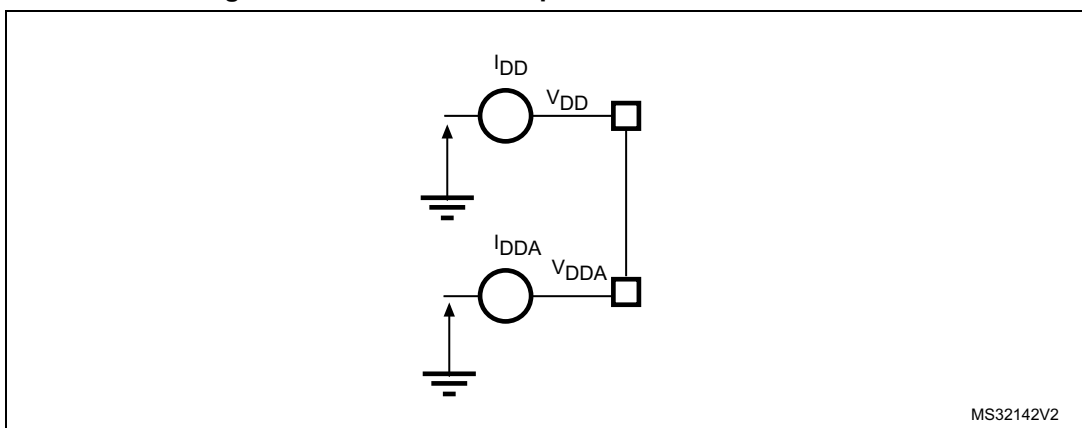
Figure 13. Power supply scheme



Caution: Each power supply pair (V_{DD}/V_{SS} , V_{DDA}/V_{SSA} etc.) must be decoupled with filtering ceramic capacitors as shown above. These capacitors must be placed as close as possible to, or below, the appropriate pins on the underside of the PCB to ensure the good functionality of the device.

6.1.7 Current consumption measurement

Figure 14. Current consumption measurement scheme



6.2 Absolute maximum ratings

Stresses above the absolute maximum ratings listed in [Table 18: Voltage characteristics](#), [Table 19: Current characteristics](#) and [Table 20: Thermal characteristics](#) may cause permanent damage to the device. These are stress *ratings* only and functional operation of the device at these conditions is not implied. Exposure to maximum rating conditions for extended periods may affect device reliability.

Table 18. Voltage characteristics⁽¹⁾

| Symbol | Ratings | Min | Max | Unit |
|----------------------|--|--|-------------------------|------|
| $V_{DD}-V_{SS}$ | External main supply voltage | -0.3 | 4.0 | V |
| $V_{DDA}-V_{SS}$ | External analog supply voltage | -0.3 | 4.0 | V |
| $V_{DD}-V_{DDA}$ | Allowed voltage difference for $V_{DD} > V_{DDA}$ | - | 0.4 | V |
| $V_{IN}^{(2)}$ | Input voltage on FT and FTf pins | $V_{SS} - 0.3$ | $V_{DDIOx} + 4.0^{(3)}$ | V |
| | Input voltage on TTa pins | $V_{SS} - 0.3$ | 4.0 | V |
| | BOOT0 | 0 | $V_{DDIOx} + 4.0^{(3)}$ | V |
| | Input voltage on any other pin | $V_{SS} - 0.3$ | 4.0 | V |
| $ \Delta V_{DDx} $ | Variations between different V_{DD} power pins | - | 50 | mV |
| $ V_{SSx} - V_{SS} $ | Variations between all the different ground pins | - | 50 | mV |
| $V_{ESD(HBM)}$ | Electrostatic discharge voltage (human body model) | see Section 6.3.12: Electrical sensitivity characteristics | | - |

1. All main power (V_{DD} , V_{DDA}) and ground (V_{SS} , V_{SSA}) pins must always be connected to the external power supply, in the permitted range.
2. V_{IN} maximum must always be respected. Refer to [Table 19: Current characteristics](#) for the maximum allowed injected current values.
3. V_{DDIOx} is internally connected with VDD pin.

Table 19. Current characteristics

| Symbol | Ratings | Max. | Unit |
|-----------------------|---|----------------------|------|
| ΣI_{VDD} | Total current into sum of all VDD power lines (source) ⁽¹⁾ | 120 | mA |
| ΣI_{VSS} | Total current out of sum of all VSS ground lines (sink) ⁽¹⁾ | -120 | |
| $I_{VDD(PIN)}$ | Maximum current into each VDD power pin (source) ⁽¹⁾ | 100 | |
| $I_{VSS(PIN)}$ | Maximum current out of each VSS ground pin (sink) ⁽¹⁾ | -100 | |
| $I_{IO(PIN)}$ | Output current sunk by any I/O and control pin | 25 | |
| | Output current source by any I/O and control pin | -25 | |
| $\Sigma I_{IO(PIN)}$ | Total output current sunk by sum of all I/Os and control pins ⁽²⁾ | 80 | |
| | Total output current sourced by sum of all I/Os and control pins ⁽²⁾ | -80 | |
| $I_{INJ(PIN)}^{(3)}$ | Injected current on FT and FTf pins | -5/+0 ⁽⁴⁾ | |
| | Injected current on TC and RST pin | ± 5 | |
| | Injected current on TTa pins ⁽⁵⁾ | ± 5 | |
| $\Sigma I_{INJ(PIN)}$ | Total injected current (sum of all I/O and control pins) ⁽⁶⁾ | ± 25 | |

- All main power (VDD, VDDA) and ground (VSS, VSSA) pins must always be connected to the external power supply, in the permitted range.
- This current consumption must be correctly distributed over all I/Os and control pins. The total output current must not be sunk/sourced between two consecutive power supply pins referring to high pin count QFP packages.
- A positive injection is induced by $V_{IN} > V_{DDIOx}$ while a negative injection is induced by $V_{IN} < V_{SS}$. $I_{INJ(PIN)}$ must never be exceeded. Refer to [Table 18: Voltage characteristics](#) for the maximum allowed input voltage values.
- Positive injection is not possible on these I/Os and does not occur for input voltages lower than the specified maximum value.
- On these I/Os, a positive injection is induced by $V_{IN} > V_{DDA}$. Negative injection disturbs the analog performance of the device. See note ⁽²⁾ below [Table 52: ADC accuracy](#).
- When several inputs are submitted to a current injection, the maximum $\Sigma I_{INJ(PIN)}$ is the absolute sum of the positive and negative injected currents (instantaneous values).

Table 20. Thermal characteristics

| Symbol | Ratings | Value | Unit |
|-----------|------------------------------|-------------|------|
| T_{STG} | Storage temperature range | -65 to +150 | °C |
| T_J | Maximum junction temperature | 150 | °C |

6.3 Operating conditions

6.3.1 General operating conditions

Table 21. General operating conditions

| Symbol | Parameter | Conditions | Min | Max | Unit |
|------------|------------------------------|------------|-----|-----|------|
| f_{HCLK} | Internal AHB clock frequency | - | 0 | 48 | MHz |
| f_{PCLK} | Internal APB clock frequency | - | 0 | 48 | |
| V_{DD} | Standard operating voltage | - | 2.4 | 3.6 | V |

Table 21. General operating conditions (continued)

| Symbol | Parameter | Conditions | Min | Max | Unit |
|------------------|---|---|------|--------------------------------------|------|
| V _{DDA} | Analog operating voltage | Must have a potential equal to or higher than V _{DD} | 2.4 | 3.6 | V |
| V _{IN} | I/O input voltage | TC and RST I/O | -0.3 | V _{DDIOx} +0.3 | V |
| | | TTa I/O | -0.3 | V _{DDA} +0.3 ⁽²⁾ | |
| | | FT and FTf I/O | -0.3 | 5.5 ⁽²⁾ | |
| | | BOOT0 | 0 | 5.5 | |
| P _D | Power dissipation at T _A = 85 °C for suffix 6 ⁽¹⁾ | LQFP64 | - | 455 | mW |
| | | LQFP48 | - | 364 | |
| | | LQFP32 | - | 357 | |
| | | TSSOP20 | - | 263 | |
| T _A | Ambient temperature for the suffix 6 version | Maximum power dissipation | -40 | 85 | °C |
| | | Low power dissipation ⁽²⁾ | -40 | 105 | |
| T _J | Junction temperature range | Suffix 6 version | -40 | 105 | °C |

1. If T_A is lower, higher P_D values are allowed as long as T_J does not exceed T_{Jmax}.
2. In low power dissipation state, T_A can be extended to this range as long as T_J does not exceed T_{Jmax} (see [Section 7.5: Thermal characteristics](#)).

6.3.2 Operating conditions at power-up / power-down

The parameters given in [Table 22](#) are derived from tests performed under the ambient temperature condition summarized in [Table 21](#).

Table 22. Operating conditions at power-up / power-down

| Symbol | Parameter | Conditions | Min | Max | Unit |
|-------------------|---------------------------------|------------|-----|-----|------|
| t _{VDD} | V _{DD} rise time rate | - | 0 | ∞ | μs/V |
| | V _{DD} fall time rate | | 20 | ∞ | |
| t _{VDDA} | V _{DDA} rise time rate | - | 0 | ∞ | |
| | V _{DDA} fall time rate | | 20 | ∞ | |

6.3.3 Embedded reset and power control block characteristics

The parameters given in [Table 23](#) are derived from tests performed under the ambient temperature and supply voltage conditions summarized in [Table 21: General operating conditions](#).

Table 23. Embedded reset and power control block characteristics

| Symbol | Parameter | Conditions | Min | Typ | Max | Unit |
|-------------------------------------|-------------------------------------|-----------------------------|---------------------|------|---------------------|------|
| V _{POR/PDR} ⁽¹⁾ | Power on/power down reset threshold | Falling edge ⁽²⁾ | 1.80 | 1.88 | 1.96 ⁽³⁾ | V |
| | | Rising edge | 1.84 ⁽³⁾ | 1.92 | 2.00 | V |

Table 23. Embedded reset and power control block characteristics (continued)

| Symbol | Parameter | Conditions | Min | Typ | Max | Unit |
|----------------------|---------------------|------------|------|------|------|------|
| $V_{PDRhyst}$ | PDR hysteresis | - | - | 40 | - | mV |
| $t_{RSTTEMPO}^{(4)}$ | Reset temporization | - | 1.50 | 2.50 | 4.50 | ms |

1. The PDR detector monitors V_{DD} and also V_{DDA} (if kept enabled in the option bytes). The POR detector monitors only V_{DD} .
2. The product behavior is guaranteed by design down to the minimum $V_{POR/PDR}$ value.
3. Data based on characterization results, not tested in production.
4. Guaranteed by design, not tested in production.

6.3.4 Embedded reference voltage

The parameters given in [Table 24](#) are derived from tests performed under the ambient temperature and supply voltage conditions summarized in [Table 21: General operating conditions](#).

Table 24. Embedded internal reference voltage

| Symbol | Parameter | Conditions | Min | Typ | Max | Unit |
|---------------------|---|---|--------------|------|-------------|-------------------------|
| V_{REFINT} | Internal reference voltage | $-40^{\circ}\text{C} < T_A < +85^{\circ}\text{C}$ | 1.2 | 1.23 | 1.25 | V |
| t_{START} | ADC_IN17 buffer startup time | - | - | - | $10^{(1)}$ | μs |
| $t_{S_vrefint}$ | ADC sampling time when reading the internal reference voltage | - | $4^{(1)}$ | - | - | μs |
| ΔV_{REFINT} | Internal reference voltage spread over the temperature range | $V_{DDA} = 3\text{ V}$ | - | - | $10^{(1)}$ | mV |
| T_{Coeff} | Temperature coefficient | - | $-100^{(1)}$ | - | $100^{(1)}$ | ppm/ $^{\circ}\text{C}$ |

1. Guaranteed by design, not tested in production.

6.3.5 Supply current characteristics

The current consumption is a function of several parameters and factors such as the operating voltage, ambient temperature, I/O pin loading, device software configuration, operating frequencies, I/O pin switching rate, program location in memory and executed binary code.

The current consumption is measured as described in [Figure 14: Current consumption measurement scheme](#).

All Run-mode current consumption measurements given in this section are performed with a reduced code that gives a consumption equivalent to CoreMark code.

Typical and maximum current consumption

The MCU is placed under the following conditions:

- All I/O pins are in analog input mode
- All peripherals are disabled except when explicitly mentioned
- The Flash memory access time is adjusted to the f_{HCLK} frequency:
 - 0 wait state and Prefetch OFF from 0 to 24 MHz
 - 1 wait state and Prefetch ON above 24 MHz
- When the peripherals are enabled $f_{PCLK} = f_{HCLK}$

The parameters given in [Table 25](#) to [Table 27](#) are derived from tests performed under ambient temperature and supply voltage conditions summarized in [Table 21: General operating conditions](#).

Table 25. Typical and maximum current consumption from V_{DD} supply at $V_{DD} = 3.6\text{ V}^{(1)}$

| Symbol | Parameter | Conditions | f_{HCLK} | All peripherals enabled | | Unit |
|----------|--|---------------------------|------------|-------------------------|-------------------|------|
| | | | | Typ | Max @ $T_A^{(2)}$ | |
| | | | | | 85 °C | |
| I_{DD} | Supply current in Run mode, code executing from Flash | HSI or HSE clock, PLL on | 48 MHz | 22.0 | 22.8 | mA |
| | | | 48 MHz | 26.8 | 30.2 | |
| | | | 24 MHz | 12.2 | 13.2 | |
| | | | 24 MHz | 14.1 | 16.2 | |
| | | HSI or HSE clock, PLL off | 8 MHz | 4.4 | 5.2 | |
| | | | 8 MHz | 4.9 | 5.6 | |
| I_{DD} | Supply current in Run mode, code executing from RAM | HSI or HSE clock, PLL on | 48 MHz | 22.2 | 23.2 | mA |
| | | | 48 MHz | 26.1 | 29.3 | |
| | | | 24 MHz | 11.2 | 12.2 | |
| | | | 24 MHz | 13.3 | 15.7 | |
| | | HSI or HSE clock, PLL off | 8 MHz | 4.0 | 4.5 | |
| | | | 8 MHz | 4.6 | 5.2 | |
| I_{DD} | Supply current in Sleep mode, code executing from Flash or RAM | HSI or HSE clock, PLL on | 48 MHz | 14 | 15.3 | mA |
| | | | 48 MHz | 17.0 | 19.0 | |
| | | | 24 MHz | 7.3 | 7.8 | |
| | | | 24 MHz | 8.7 | 10.1 | |
| | | HSI or HSE clock, PLL off | 8 MHz | 2.6 | 2.9 | |
| | | | 8 MHz | 3.0 | 3.5 | |

1. The gray shading is used to distinguish the values for STM32F030xC devices.

2. Data based on characterization results, not tested in production unless otherwise specified.

Table 26. Typical and maximum current consumption from the V_{DDA} supply⁽¹⁾

| Symbol | Parameter | Conditions ⁽²⁾ | f_{HCLK} | $V_{DDA} = 3.6\text{ V}$ | | Unit |
|-----------|--|---------------------------|------------|--------------------------|----------------------------|---------------|
| | | | | Typ | Max @ T_A ⁽³⁾ | |
| | | | | | 85 °C | |
| I_{DDA} | Supply current in Run or Sleep mode, code executing from Flash memory or RAM | HSE bypass, PLL on | 48 MHz | 175 | 215 | μA |
| | | | 48 MHz | 160 | 192 | |
| | | HSE bypass, PLL off | 8 MHz | 3.9 | 4.9 | |
| | | | 8 MHz | 3.7 | 4.6 | |
| | | | 1 MHz | 3.9 | 4.1 | |
| | | | 1 MHz | 3.3 | 4.4 | |
| | | HSI clock, PLL on | 48 MHz | 244 | 275 | |
| | | | 48 MHz | 235 | 275 | |
| | | HSI clock, PLL off | 8 MHz | 85 | 105 | |
| | | | 8 MHz | 77 | 92 | |

1. The gray shading is used to distinguish the values for STM32F030xC devices.
2. Current consumption from the V_{DDA} supply is independent of whether the digital peripherals are enabled or disabled, being in Run or Sleep mode or executing from Flash or RAM. Furthermore, when the PLL is off, I_{DDA} is independent of the frequency.
3. Data based on characterization results, not tested in production.

Table 27. Typical and maximum consumption in Stop and Standby modes

| Symbol | Parameter | Conditions | | Typ @V _{DD} (V _{DD} = V _{D_{DA}}) | Max ⁽¹⁾ | Unit |
|-----------------------------|--------------------------------|--|---|--|------------------------|------|
| | | | | 3.6 V | T _A = 85 °C | |
| I _{DD} | Supply current in Stop mode | Regulator in run mode, all oscillators OFF | | 19 | 48 | μA |
| | | Regulator in low-power mode, all oscillators OFF | | 5 | 32 | |
| | Supply current in Standby mode | LSI ON and IWDG ON | | 2 | - | |
| I _{D_{DA}} | Supply current in Stop mode | V _{D_{DA}} monitoring ON | Regulator in run or low-power mode, all oscillators OFF | 2.9 | 3.5 | |
| | | | LSI ON and IWDG ON | 3.3 | - | |
| | | | LSI OFF and IWDG OFF | 2.8 | 3.5 | |
| | Supply current in Standby mode | V _{D_{DA}} monitoring OFF | Regulator in run or low-power mode, all oscillators OFF | 1.7 | - | |
| | | | LSI ON and IWDG ON | 2.3 | - | |
| | | | LSI OFF and IWDG OFF | 1.4 | - | |

1. Data based on characterization results, not tested in production unless otherwise specified.

Typical current consumption

The MCU is placed under the following conditions:

- V_{DD} = V_{D_{DA}} = 3.3 V
- All I/O pins are in analog input configuration
- The Flash access time is adjusted to f_{HCLK} frequency:
 - 0 wait state and Prefetch OFF from 0 to 24 MHz
 - 1 wait state and Prefetch ON above 24 MHz
- When the peripherals are enabled, f_{PCLK} = f_{HCLK}
- PLL is used for frequencies greater than 8 MHz
- AHB prescaler of 2, 4, 8 and 16 is used for the frequencies 4 MHz, 2 MHz, 1 MHz and 500 kHz respectively

Table 28. Typical current consumption in Run mode, code with data processing running from Flash

| Symbol | Parameter | Conditions | f _{HCLK} | Typ | | Unit |
|------------------|---|---|-------------------|---------------------|----------------------|------|
| | | | | Peripherals enabled | Peripherals disabled | |
| I _{DD} | Supply current in Run mode from V _{DD} supply | Running from HSE crystal clock 8 MHz, code executing from Flash | 48 MHz | 23.3 | 11.5 | mA |
| | | | 8 MHz | 4.5 | 3.0 | |
| I _{DDA} | Supply current in Run mode from V _{DDA} supply | | 48 MHz | 158 | 158 | μA |
| | | | 8 MHz | 2.43 | 2.43 | |

I/O system current consumption

The current consumption of the I/O system has two components: static and dynamic.

I/O static current consumption

All the I/Os used as inputs with pull-up generate current consumption when the pin is externally held low. The value of this current consumption can be simply computed by using the pull-up/pull-down resistors values given in [Table 46: I/O static characteristics](#).

For the output pins, any external pull-down or external load must also be considered to estimate the current consumption.

Additional I/O current consumption is due to I/Os configured as inputs if an intermediate voltage level is externally applied. This current consumption is caused by the input Schmitt trigger circuits used to discriminate the input value. Unless this specific configuration is required by the application, this supply current consumption can be avoided by configuring these I/Os in analog mode. This is notably the case of ADC input pins which should be configured as analog inputs.

Caution: Any floating input pin can also settle to an intermediate voltage level or switch inadvertently, as a result of external electromagnetic noise. To avoid current consumption related to floating pins, they must either be configured in analog mode, or forced internally to a definite digital value. This can be done either by using pull-up/down resistors or by configuring the pins in output mode.

I/O dynamic current consumption

In addition to the internal peripheral current consumption measured previously, the I/Os used by an application also contribute to the current consumption. When an I/O pin switches, it uses the current from the I/O supply voltage to supply the I/O pin circuitry and to charge/discharge the capacitive load (internal or external) connected to the pin:

$$I_{SW} = V_{DDIOx} \times f_{SW} \times C$$

where

I_{SW} is the current sunk by a switching I/O to charge/discharge the capacitive load

V_{DDIOx} is the I/O supply voltage

f_{SW} is the I/O switching frequency

C is the total capacitance seen by the I/O pin: $C = C_{INT} + C_{EXT} + C_S$

C_S is the PCB board capacitance including the pad pin.

The test pin is configured in push-pull output mode and is toggled by software at a fixed frequency.

Table 29. Switching output I/O current consumption

| Symbol | Parameter | Conditions ⁽¹⁾ | I/O toggling frequency (f_{SW}) | Typ | Unit |
|----------|-------------------------|--|-------------------------------------|-------|------|
| I_{SW} | I/O current consumption | $V_{DDIOx} = 3.3\text{ V}$ $C_{EXT} = 0\text{ pF}$ $C = C_{INT} + C_{EXT} + C_S$ | 4 MHz | 0.18 | mA |
| | | | 8 MHz | 0.37 | |
| | | | 16 MHz | 0.76 | |
| | | | 24 MHz | 1.39 | |
| | | | 48 MHz | 2.188 | |
| | | $V_{DDIOx} = 3.3\text{ V}$ $C_{EXT} = 22\text{ pF}$ $C = C_{INT} + C_{EXT} + C_S$ | 4 MHz | 0.49 | |
| | | | 8 MHz | 0.94 | |
| | | | 16 MHz | 2.38 | |
| | | | 24 MHz | 3.99 | |
| | | $V_{DDIOx} = 3.3\text{ V}$ $C_{EXT} = 47\text{ pF}$ $C = C_{INT} + C_{EXT} + C_S$ $C = C_{int}$ | 4 MHz | 0.81 | |
| | | | 8 MHz | 1.7 | |
| | | | 16 MHz | 3.67 | |

1. $C_S = 7\text{ pF}$ (estimated value).

6.3.6 Wakeup time from low-power mode

The wakeup times given in [Table 30](#) are the latency between the event and the execution of the first user instruction. The device goes in low-power mode after the WFE (Wait For Event) instruction, in the case of a WFI (Wait For Interruption) instruction, 16 CPU cycles must be added to the following timings due to the interrupt latency in the Cortex M0 architecture.

The SYSCLK clock source setting is kept unchanged after wakeup from Sleep mode. During wakeup from Stop or Standby mode, SYSCLK takes the default setting: HSI 8 MHz.

The wakeup source from Sleep and Stop mode is an EXTI line configured in event mode. The wakeup source from Standby mode is the WKUP1 pin (PA0).

All timings are derived from tests performed under the ambient temperature and supply voltage conditions summarized in [Table 21: General operating conditions](#).

Table 30. Low-power mode wakeup timings

| Symbol | Parameter | Conditions | Typ @V _{DD} = V _{DDA} | Max | Unit |
|------------------------|--------------------------|-----------------------|--|-----|------|
| | | | = 3.3 V | | |
| t _{WUSTOP} | Wakeup from Stop mode | Regulator in run mode | 2.8 | 5 | μs |
| t _{WUSTANDBY} | Wakeup from Standby mode | - | 51 | - | |
| t _{WUSLEEP} | Wakeup from Sleep mode | - | 4 SYSCLK cycles | - | |

6.3.7 External clock source characteristics

High-speed external user clock generated from an external source

In bypass mode the HSE oscillator is switched off and the input pin is a standard GPIO.

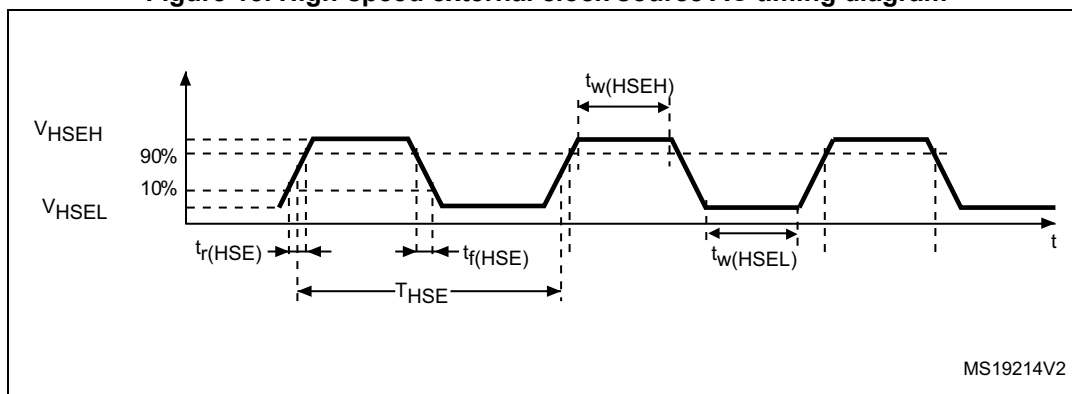
The external clock signal has to respect the I/O characteristics in [Section 6.3.14](#). However, the recommended clock input waveform is shown in [Figure 15: High-speed external clock source AC timing diagram](#).

Table 31. High-speed external user clock characteristics

| Symbol | Parameter ⁽¹⁾ | Min | Typ | Max | Unit |
|--|--------------------------------------|------------------------|-----|------------------------|------|
| f _{HSE_ext} | User external clock source frequency | 1 | 8 | 32 | MHz |
| V _{HSEH} | OSC_IN input pin high level voltage | 0.7 V _{DDIOx} | - | V _{DDIOx} | V |
| V _{HSEL} | OSC_IN input pin low level voltage | V _{SS} | - | 0.3 V _{DDIOx} | |
| t _{w(HSEH)} t _{w(HSEL)} | OSC_IN high or low time | 15 | - | - | ns |
| t _{r(HSE)} t _{f(HSE)} | OSC_IN rise or fall time | - | - | 20 | |

1. Guaranteed by design, not tested in production.

Figure 15. High-speed external clock source AC timing diagram



Low-speed external user clock generated from an external source

In bypass mode the LSE oscillator is switched off and the input pin is a standard GPIO.

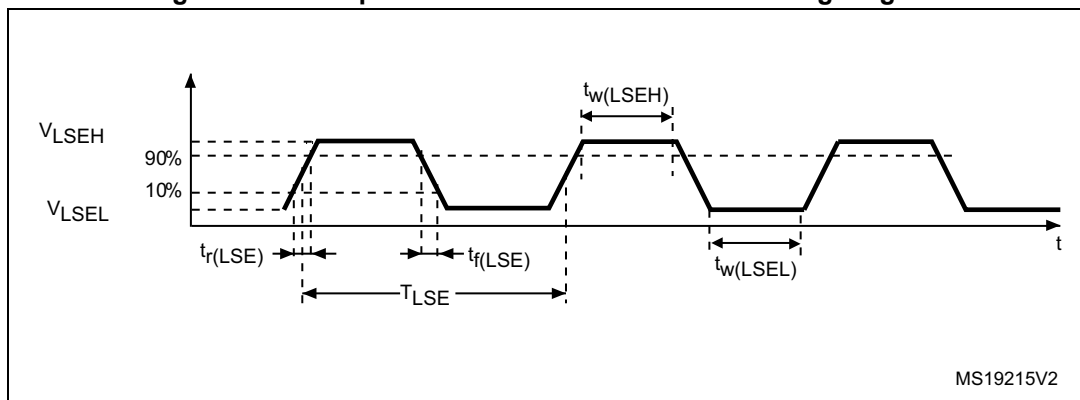
The external clock signal has to respect the I/O characteristics in [Section 6.3.14](#). However, the recommended clock input waveform is shown in [Figure 16](#).

Table 32. Low-speed external user clock characteristics

| Symbol | Parameter ⁽¹⁾ | Min | Typ | Max | Unit |
|--------------------------------|---------------------------------------|-----------------|--------|-----------------|------|
| f_{LSE_ext} | User external clock source frequency | - | 32.768 | 1000 | kHz |
| V_{LSEH} | OSC32_IN input pin high level voltage | $0.7 V_{DDIOx}$ | - | V_{DDIOx} | V |
| V_{LSEL} | OSC32_IN input pin low level voltage | V_{SS} | - | $0.3 V_{DDIOx}$ | |
| $t_{w(LSEH)}$ $t_{w(LSEL)}$ | OSC32_IN high or low time | 450 | - | - | ns |
| $t_{r(LSE)}$ $t_{f(LSE)}$ | OSC32_IN rise or fall time | - | - | 50 | |

1. Guaranteed by design, not tested in production.

Figure 16. Low-speed external clock source AC timing diagram



High-speed external clock generated from a crystal/ceramic resonator

The high-speed external (HSE) clock can be supplied with a 4 to 32 MHz crystal/ceramic resonator oscillator. All the information given in this paragraph are based on design simulation results obtained with typical external components specified in [Table 33](#). In the application, the resonator and the load capacitors have to be placed as close as possible to the oscillator pins in order to minimize output distortion and startup stabilization time. Refer to the crystal resonator manufacturer for more details on the resonator characteristics (frequency, package, accuracy).

Table 33. HSE oscillator characteristics

| Symbol | Parameter | Conditions ⁽¹⁾ | Min ⁽²⁾ | Typ | Max ⁽²⁾ | Unit |
|---------------|----------------------|---------------------------|--------------------|-----|--------------------|------------|
| f_{OSC_IN} | Oscillator frequency | - | 4 | 8 | 32 | MHz |
| R_F | Feedback resistor | - | - | 200 | - | k Ω |

Table 33. HSE oscillator characteristics

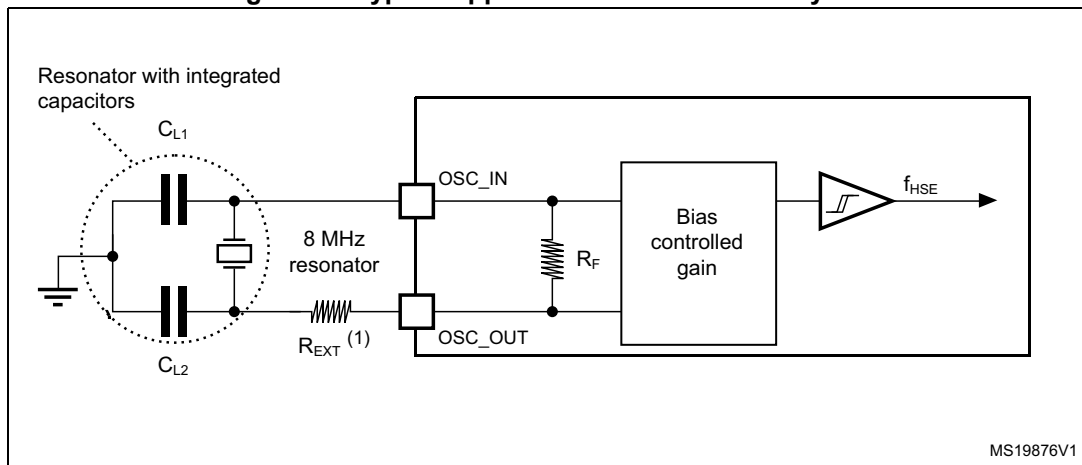
| Symbol | Parameter | Conditions ⁽¹⁾ | Min ⁽²⁾ | Typ | Max ⁽²⁾ | Unit |
|------------------------------|-----------------------------|--|--------------------|-----|--------------------|------|
| I_{DD} | HSE current consumption | During startup ⁽³⁾ | - | - | 8.5 | mA |
| | | $V_{DD} = 3.3\text{ V}$, $R_m = 45\ \Omega$, $CL = 10\text{ pF}@8\text{ MHz}$ | - | 0.5 | - | |
| | | $V_{DD} = 3.3\text{ V}$, $R_m = 30\ \Omega$, $CL = 20\text{ pF}@32\text{ MHz}$ | - | 1.5 | - | |
| g_m | Oscillator transconductance | Startup | 10 | - | - | mA/V |
| $t_{SU(HSE)}$ ⁽⁴⁾ | Startup time | V_{DD} is stabilized | - | 2 | - | ms |

1. Resonator characteristics given by the crystal/ceramic resonator manufacturer.
2. Guaranteed by design, not tested in production.
3. This consumption level occurs during the first 2/3 of the $t_{SU(HSE)}$ startup time
4. $t_{SU(HSE)}$ is the startup time measured from the moment it is enabled (by software) to a stabilized 8 MHz oscillation is reached. This value is measured for a standard crystal resonator and it can vary significantly with the crystal manufacturer

For C_{L1} and C_{L2} , it is recommended to use high-quality external ceramic capacitors in the 5 pF to 20 pF range (Typ.), designed for high-frequency applications, and selected to match the requirements of the crystal or resonator (see [Figure 17](#)). C_{L1} and C_{L2} are usually the same size. The crystal manufacturer typically specifies a load capacitance which is the series combination of C_{L1} and C_{L2} . PCB and MCU pin capacitance must be included (10 pF can be used as a rough estimate of the combined pin and board capacitance) when sizing C_{L1} and C_{L2} .

Note: For information on selecting the crystal, refer to the application note AN2867 "Oscillator design guide for ST microcontrollers" available from the ST website www.st.com.

Figure 17. Typical application with an 8 MHz crystal



1. R_{EXT} value depends on the crystal characteristics.

Low-speed external clock generated from a crystal resonator

The low-speed external (LSE) clock can be supplied with a 32.768 kHz crystal resonator oscillator. All the information given in this paragraph are based on design simulation results

obtained with typical external components specified in [Table 34](#). In the application, the resonator and the load capacitors have to be placed as close as possible to the oscillator pins in order to minimize output distortion and startup stabilization time. Refer to the crystal resonator manufacturer for more details on the resonator characteristics (frequency, package, accuracy).

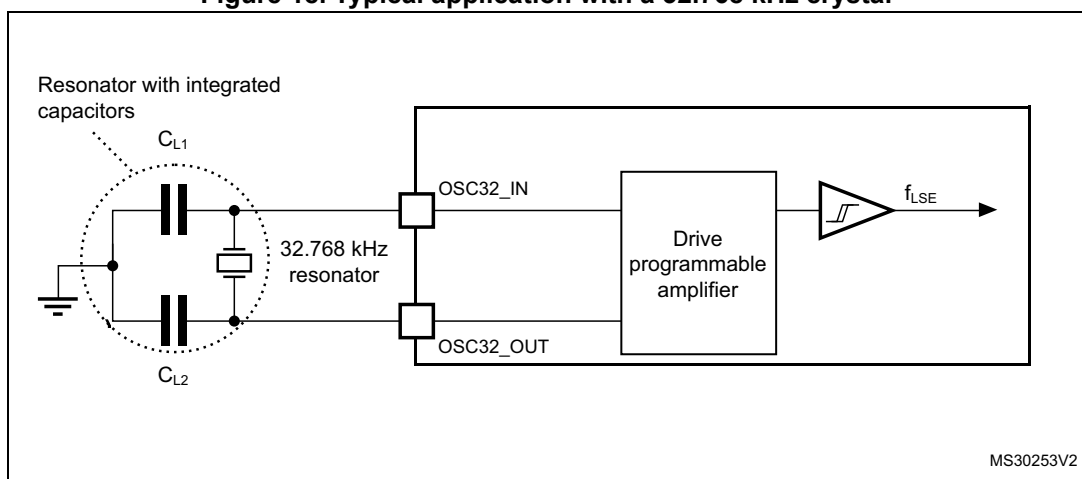
Table 34. LSE oscillator characteristics ($f_{LSE} = 32.768$ kHz)

| Symbol | Parameter | Conditions ⁽¹⁾ | Min ⁽²⁾ | Typ | Max ⁽²⁾ | Unit |
|------------------------------|-----------------------------|------------------------------|--------------------|-----|--------------------|-----------------|
| I_{DD} | LSE current consumption | low drive capability | - | 0.5 | 0.9 | μA |
| | | medium-low drive capability | - | - | 1 | |
| | | medium-high drive capability | - | - | 1.3 | |
| | | high drive capability | - | - | 1.6 | |
| g_m | Oscillator transconductance | low drive capability | 5 | - | - | $\mu\text{A/V}$ |
| | | medium-low drive capability | 8 | - | - | |
| | | medium-high drive capability | 15 | - | - | |
| | | high drive capability | 25 | - | - | |
| $t_{SU(LSE)}$ ⁽³⁾ | Startup time | V_{DDIOx} is stabilized | - | 2 | - | s |

1. Refer to the note and caution paragraphs below the table, and to the application note AN2867 "Oscillator design guide for ST microcontrollers".
2. Guaranteed by design, not tested in production.
3. $t_{SU(LSE)}$ is the startup time measured from the moment it is enabled (by software) to a stabilized 32.768 kHz oscillation is reached. This value is measured for a standard crystal and it can vary significantly with the crystal manufacturer

Note: For information on selecting the crystal, refer to the application note AN2867 "Oscillator design guide for ST microcontrollers" available from the ST website www.st.com.

Figure 18. Typical application with a 32.768 kHz crystal



Note: An external resistor is not required between $OSC32_IN$ and $OSC32_OUT$ and it is forbidden to add one.

6.3.8 Internal clock source characteristics

The parameters given in [Table 35](#) are derived from tests performed under ambient temperature and supply voltage conditions summarized in [Table 21: General operating conditions](#). The provided curves are characterization results, not tested in production.

High-speed internal (HSI) RC oscillator

Table 35. HSI oscillator characteristics⁽¹⁾

| Symbol | Parameter | Conditions | Min | Typ | Max | Unit |
|-----------------------|---|-----------------------------------|-------------------|------------------------|-------------------|---------------|
| f_{HSI} | Frequency | - | - | 8 | - | MHz |
| TRIM | HSI user trimming step | - | - | - | 1 ⁽²⁾ | % |
| DuCy _{HSI} | Duty cycle | - | 45 ⁽²⁾ | - | 55 ⁽²⁾ | % |
| ACC _{HSI} | Accuracy of the HSI oscillator (factory calibrated) | $T_A = -40$ to 85°C | - | ± 5 | - | % |
| | | $T_A = 25^\circ\text{C}$ | - | ± 1 ⁽³⁾ | - | % |
| $t_{\text{SU(HSI)}}$ | HSI oscillator startup time | - | 1 ⁽²⁾ | - | 2 ⁽²⁾ | μs |
| $I_{\text{DDA(HSI)}}$ | HSI oscillator power consumption | - | - | 80 | - | μA |

1. $V_{\text{DDA}} = 3.3\text{ V}$, $T_A = -40$ to 85°C unless otherwise specified.
2. Guaranteed by design, not tested in production.
3. With user calibration.

High-speed internal 14 MHz (HSI14) RC oscillator (dedicated to ADC)

Table 36. HSI14 oscillator characteristics⁽¹⁾

| Symbol | Parameter | Conditions | Min | Typ | Max | Unit |
|-------------------------|---|-----------------------------------|-------------------|---------|-------------------|---------------|
| f_{HSI14} | Frequency | - | - | 14 | - | MHz |
| TRIM | HSI14 user-trimming step | - | - | - | 1 ⁽²⁾ | % |
| DuCy _(HSI14) | Duty cycle | - | 45 ⁽²⁾ | - | 55 ⁽²⁾ | % |
| ACC _{HSI14} | Accuracy of the HSI14 oscillator (factory calibrated) | $T_A = -40$ to 85°C | - | ± 5 | - | % |
| $t_{\text{su(HSI14)}}$ | HSI14 oscillator startup time | - | 1 ⁽²⁾ | - | 2 ⁽²⁾ | μs |
| $I_{\text{DDA(HSI14)}}$ | HSI14 oscillator power consumption | - | - | 100 | - | μA |

1. $V_{\text{DDA}} = 3.3\text{ V}$, $T_A = -40$ to 85°C unless otherwise specified.
2. Guaranteed by design, not tested in production.

Low-speed internal (LSI) RC oscillator

Table 37. LSI oscillator characteristics⁽¹⁾

| Symbol | Parameter | Min | Typ | Max | Unit |
|------------------|-----------|-----|-----|-----|------|
| f_{LSI} | Frequency | 30 | 40 | 50 | kHz |

Table 37. LSI oscillator characteristics⁽¹⁾

| Symbol | Parameter | Min | Typ | Max | Unit |
|-------------------------------|----------------------------------|-----|------|-----|---------|
| $t_{su(LSI)}$ ⁽²⁾ | LSI oscillator startup time | - | - | 85 | μ s |
| $I_{DDA(LSI)}$ ⁽²⁾ | LSI oscillator power consumption | - | 0.75 | - | μ A |

- $V_{DDA} = 3.3$ V, $T_A = -40$ to 85 °C unless otherwise specified.
- Guaranteed by design, not tested in production.

6.3.9 PLL characteristics

The parameters given in [Table 38](#) are derived from tests performed under ambient temperature and supply voltage conditions summarized in [Table 21: General operating conditions](#).

Table 38. PLL characteristics

| Symbol | Parameter | Value | | | Unit |
|-----------------------|--------------------------------|-------------------|-----|--------------------|---------|
| | | Min | Typ | Max | |
| f_{PLL_IN} | PLL input clock ⁽¹⁾ | 1 ⁽²⁾ | 8.0 | 24 ⁽²⁾ | MHz |
| | PLL input clock duty cycle | 40 ⁽²⁾ | - | 60 ⁽²⁾ | % |
| f_{PLL_OUT} | PLL multiplier output clock | 16 ⁽²⁾ | - | 48 | MHz |
| t_{LOCK} | PLL lock time | - | - | 200 ⁽²⁾ | μ s |
| Jitter _{PLL} | Cycle-to-cycle jitter | - | - | 300 ⁽²⁾ | ps |

- Take care to use the appropriate multiplier factors to obtain PLL input clock values compatible with the range defined by f_{PLL_OUT} .
- Guaranteed by design, not tested in production.

6.3.10 Memory characteristics

Flash memory

The characteristics are given at $T_A = -40$ to 85 °C unless otherwise specified.

Table 39. Flash memory characteristics

| Symbol | Parameter | Conditions | Min | Typ | Max ⁽¹⁾ | Unit |
|-------------|--------------------------------|-------------------------|-----|------|--------------------|---------|
| t_{prog} | 16-bit programming time | $T_A = -40$ to $+85$ °C | - | 53.5 | - | μ s |
| t_{ERASE} | Page erase time ⁽²⁾ | $T_A = -40$ to $+85$ °C | - | 30 | - | ms |
| t_{ME} | Mass erase time | $T_A = -40$ to $+85$ °C | - | 30 | - | ms |
| I_{DD} | Supply current | Write mode | - | - | 10 | mA |
| | | Erase mode | - | - | 12 | mA |
| V_{prog} | Programming voltage | - | 2.4 | - | 3.6 | V |

- Guaranteed by design, not tested in production.
- Page size is 1KB for STM32F030x4/6/8 devices and 2KB for STM32F030xC devices

Table 40. Flash memory endurance and data retention

| Symbol | Parameter | Conditions | Min ⁽¹⁾ | Unit |
|------------------|----------------|---|--------------------|--------|
| N _{END} | Endurance | T _A = -40 to +85 °C | 1 | kcycle |
| t _{RET} | Data retention | 1 kcycle ⁽²⁾ at T _A = 85 °C | 20 | Years |

1. Data based on characterization results, not tested in production.

2. Cycling performed over the whole temperature range.

6.3.11 EMC characteristics

Susceptibility tests are performed on a sample basis during device characterization.

Functional EMS (electromagnetic susceptibility)

While a simple application is executed on the device (toggling 2 LEDs through I/O ports), the device is stressed by two electromagnetic events until a failure occurs. The failure is indicated by the LEDs:

- **Electrostatic discharge (ESD)** (positive and negative) is applied to all device pins until a functional disturbance occurs. This test is compliant with the IEC 61000-4-2 standard.
- **FTB:** A Burst of Fast Transient voltage (positive and negative) is applied to V_{DD} and V_{SS} through a 100 pF capacitor, until a functional disturbance occurs. This test is compliant with the IEC 61000-4-4 standard.

A device reset allows normal operations to be resumed.

The test results are given in [Table 41](#). They are based on the EMS levels and classes defined in application note AN1709.

Table 41. EMS characteristics

| Symbol | Parameter | Conditions | Level/Class |
|-------------------|---|--|-------------|
| V _{FESD} | Voltage limits to be applied on any I/O pin to induce a functional disturbance | V _{DD} = 3.3V, LQFP48, T _A = +25 °C, f _{HCLK} = 48 MHz, conforming to IEC 61000-4-2 | 2B |
| V _{EFTB} | Fast transient voltage burst limits to be applied through 100 pF on V _{DD} and V _{SS} pins to induce a functional disturbance | V _{DD} = 3.3V, LQFP48, T _A = +25°C, f _{HCLK} = 48 MHz, conforming to IEC 61000-4-4 | 4B |

Designing hardened software to avoid noise problems

EMC characterization and optimization are performed at component level with a typical application environment and simplified MCU software. It should be noted that good EMC performance is highly dependent on the user application and the software in particular.

Therefore it is recommended that the user applies EMC software optimization and prequalification tests in relation with the EMC level requested for his application.

Software recommendations

The software flowchart must include the management of runaway conditions such as:

- Corrupted program counter
- Unexpected reset
- Critical Data corruption (control registers...)

Prequalification trials

Most of the common failures (unexpected reset and program counter corruption) can be reproduced by manually forcing a low state on the NRST pin or the Oscillator pins for 1 second.

To complete these trials, ESD stress can be applied directly on the device, over the range of specification values. When unexpected behavior is detected, the software can be hardened to prevent unrecoverable errors occurring (see application note AN1015).

Electromagnetic Interference (EMI)

The electromagnetic field emitted by the device are monitored while a simple application is executed (toggling 2 LEDs through the I/O ports). This emission test is compliant with IEC 61967-2 standard which specifies the test board and the pin loading.

Table 42. EMI characteristics

| Symbol | Parameter | Conditions | Monitored frequency band | Max vs. [f _{HSE} /f _{HCLK}] | Unit |
|------------------|------------|--|--------------------------|--|------|
| | | | | 8/48 MHz | |
| S _{EMI} | Peak level | V _{DD} = 3.6 V, T _A = 25 °C, LQFP100 package compliant with IEC 61967-2 | 0.1 to 30 MHz | -3 | dBμV |
| | | | 30 to 130 MHz | 23 | |
| | | | 130 MHz to 1 GHz | 17 | |
| | | | EMI Level | 4 | - |

6.3.12 Electrical sensitivity characteristics

Based on three different tests (ESD, LU) using specific measurement methods, the device is stressed in order to determine its performance in terms of electrical sensitivity.

Electrostatic discharge (ESD)

Electrostatic discharges (a positive then a negative pulse separated by 1 second) are applied to the pins of each sample according to each pin combination. The sample size depends on the number of supply pins in the device (3 parts × (n+1) supply pins). This test conforms to the JESD22-A114/C101 standard.

Table 43. ESD absolute maximum ratings

| Symbol | Ratings | Conditions | Packages | Class | Maximum value ⁽¹⁾ | Unit |
|----------------|---|---|----------|--|--|------|
| $V_{ESD(HBM)}$ | Electrostatic discharge voltage (human body model) | $T_A = +25\text{ °C}$, conforming to JESD22-A114 | All | 2 | 2000 | V |
| $V_{ESD(CDM)}$ | Electrostatic discharge voltage (charge device model) | $T_A = +25\text{ °C}$, conforming to ANSI/ESD STM5.3.1 | All | C4 ⁽²⁾ C3 ⁽³⁾ | 500 ⁽²⁾ 250 ⁽³⁾ | V |

1. Data based on characterization results, not tested in production.
2. Applicable to STM32F030xC
3. Applicable to STM32F030x4, STM32F030x6, and STM32F030x8

Static latch-up

Two complementary static tests are required on six parts to assess the latch-up performance:

- A supply overvoltage is applied to each power supply pin.
- A current injection is applied to each input, output and configurable I/O pin.

These tests are compliant with EIA/JESD 78A IC latch-up standard.

Table 44. Electrical sensitivities

| Symbol | Parameter | Conditions | Class |
|--------|-----------------------|--|------------|
| LU | Static latch-up class | $T_A = +105\text{ °C}$ conforming to JESD78A | II level A |

6.3.13 I/O current injection characteristics

As a general rule, current injection to the I/O pins, due to external voltage below V_{SS} or above V_{DDIOx} (for standard, 3.3 V-capable I/O pins) should be avoided during normal product operation. However, in order to give an indication of the robustness of the microcontroller in cases when abnormal injection accidentally happens, susceptibility tests are performed on a sample basis during device characterization.

Functional susceptibility to I/O current injection

While a simple application is executed on the device, the device is stressed by injecting current into the I/O pins programmed in floating input mode. While current is injected into the I/O pin, one at a time, the device is checked for functional failures.

The failure is indicated by an out of range parameter: ADC error above a certain limit (higher than 5 LSB TUE), out of conventional limits of induced leakage current on adjacent pins (out of the $-5\text{ }\mu\text{A}/+0\text{ }\mu\text{A}$ range) or other functional failure (for example reset occurrence or oscillator frequency deviation).

The characterization results are given in [Table 45](#).

Negative induced leakage current is caused by negative injection and positive induced leakage current is caused by positive injection.

Table 45. I/O current injection susceptibility

| Symbol | Description | Functional susceptibility | | Unit |
|-----------|--|---------------------------|--------------------|------|
| | | Negative injection | Positive injection | |
| I_{INJ} | Injected current on BOOT0 and PF1 pins | -0 | NA | mA |
| | Injected current on PA9, PB3, PB13, PF11 pins with induced leakage current on adjacent pins less than 50 μ A | -5 | NA | |
| | Injected current on PA11 and PA12 pins with induced leakage current on adjacent pins less than -1 mA | -5 | NA | |
| | Injected current on all other FT and FTf pins | -5 | NA | |
| | Injected current on PB0 and PB1 pins | -5 | NA | |
| | Injected current on PC0 pin | -0 | +5 | |
| | Injected current on all other TTa, TC and RST pins | -5 | +5 | |

6.3.14 I/O port characteristics

General input/output characteristics

Unless otherwise specified, the parameters given in [Table 46](#) are derived from tests performed under the conditions summarized in [Table 21: General operating conditions](#). All I/Os are designed as CMOS- and TTL-compliant (except BOOT0).

Table 46. I/O static characteristics

| Symbol | Parameter | Conditions | Min | Typ | Max | Unit |
|-----------|----------------------------|---------------------------|---------------------------------|-------------|-------------------------------|------|
| V_{IL} | Low level input voltage | TC and TTa I/O | - | - | $0.3 V_{DDIOx} + 0.07^{(1)}$ | V |
| | | FT and FTf I/O | - | - | $0.475 V_{DDIOx} - 0.2^{(1)}$ | |
| | | BOOT0 | - | - | $0.3 V_{DDIOx} - 0.3^{(1)}$ | |
| | | All I/Os except BOOT0 pin | - | - | $0.3 V_{DDIOx}$ | |
| V_{IH} | High level input voltage | TC and TTa I/O | $0.445 V_{DDIOx} + 0.398^{(1)}$ | - | - | V |
| | | FT and FTf I/O | $0.5 V_{DDIOx} + 0.2^{(1)}$ | - | - | |
| | | BOOT0 | $0.2 V_{DDIOx} + 0.95^{(1)}$ | - | - | |
| | | All I/Os except BOOT0 pin | $0.7 V_{DDIOx}$ | - | - | |
| V_{hys} | Schmitt trigger hysteresis | TC and TTa I/O | - | $200^{(1)}$ | - | mV |
| | | FT and FTf I/O | - | $100^{(1)}$ | - | |
| | | BOOT0 | - | $300^{(1)}$ | - | |

Table 46. I/O static characteristics (continued)

| Symbol | Parameter | Conditions | Min | Typ | Max | Unit |
|-----------|---|--|-----|-----|-----------|-----------|
| I_{lkg} | Input leakage current ⁽²⁾ | TC, FT and FTf I/O TTa in digital mode $V_{SS} \leq V_{IN} \leq V_{DDIOx}$ | - | - | ± 0.1 | μA |
| | | TTa in digital mode $V_{DDIOx} \leq V_{IN} \leq V_{DDA}$ | - | - | 1 | |
| | | TTa in analog mode $V_{SS} \leq V_{IN} \leq V_{DDA}$ | - | - | ± 0.2 | |
| | | FT and FTf I/O ⁽³⁾ $V_{DDIOx} \leq V_{IN} \leq 5 V$ | - | - | 10 | |
| R_{PU} | Weak pull-up equivalent resistor ⁽⁴⁾ | $V_{IN} = V_{SS}$ | 25 | 40 | 55 | $k\Omega$ |
| R_{PD} | Weak pull-down equivalent resistor ⁽⁴⁾ | $V_{IN} = V_{DDIOx}$ | 25 | 40 | 55 | $k\Omega$ |
| C_{IO} | I/O pin capacitance | - | - | 5 | - | pF |

1. Data based on design simulation only. Not tested in production.
2. The leakage could be higher than the maximum value, if negative current is injected on adjacent pins. Refer to [Table 45: I/O current injection susceptibility](#).
3. To sustain a voltage higher than $V_{DDIOx} + 0.3 V$, the internal pull-up/pull-down resistors must be disabled.
4. Pull-up and pull-down resistors are designed with a true resistance in series with a switchable PMOS/NMOS. This PMOS/NMOS contribution to the series resistance is minimal (~10% order).

All I/Os are CMOS- and TTL-compliant (no software configuration required). Their characteristics cover more than the strict CMOS-technology or TTL parameters. The coverage of these requirements is shown in [Figure 19](#) for standard I/Os, and in [Figure 20](#) for 5 V tolerant I/Os. The following curves are design simulation results, not tested in production.

Figure 19. TC and TTa I/O input characteristics

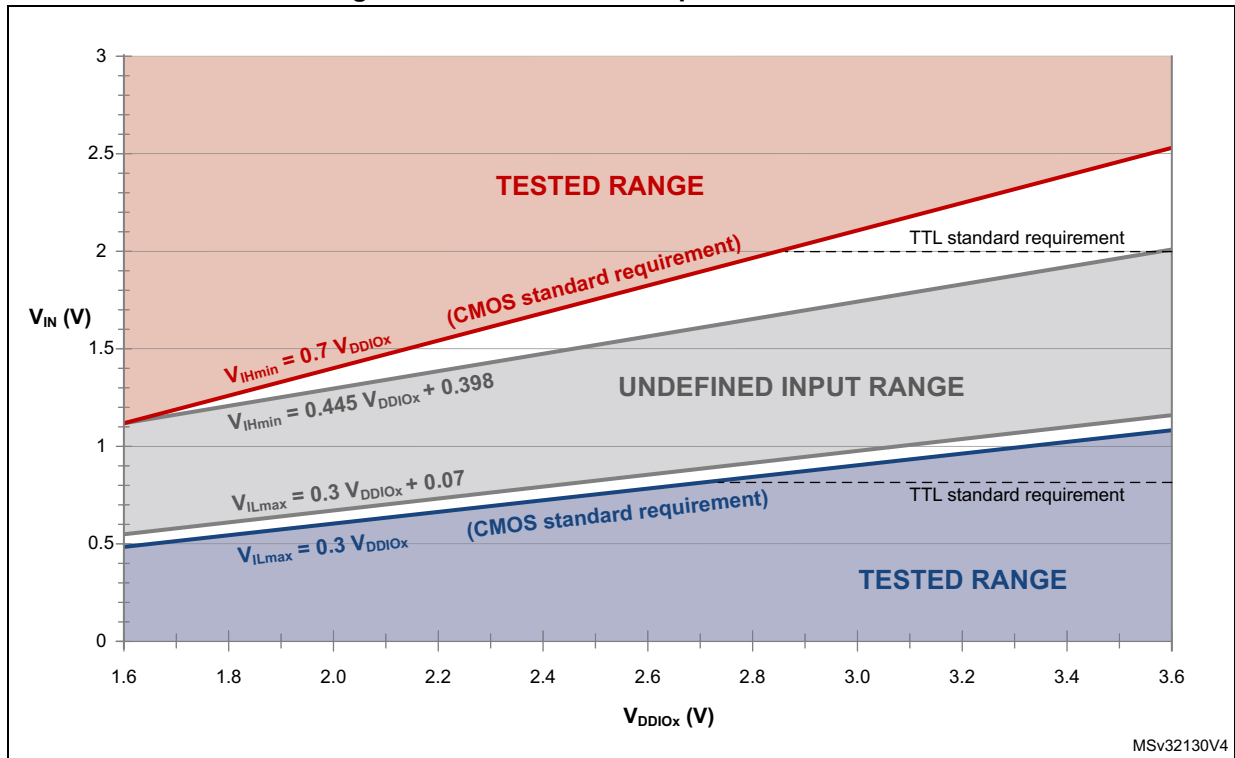
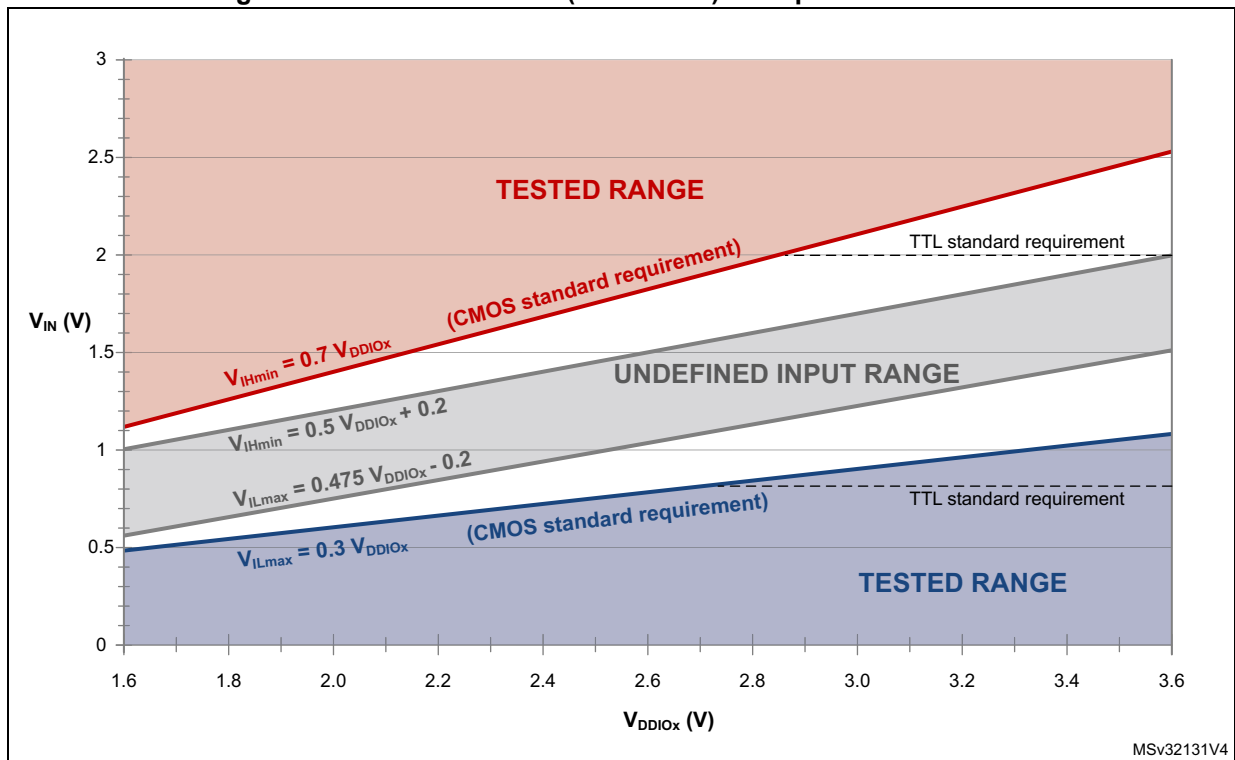


Figure 20. Five volt tolerant (FT and FTf) I/O input characteristics



Output driving current

The GPIOs (general purpose input/outputs) can sink or source up to +/-8 mA, and sink or source up to +/- 20 mA (with a relaxed V_{OL}/V_{OH}).

In the user application, the number of I/O pins which can drive current must be limited to respect the absolute maximum rating specified in [Section 6.2](#):

- The sum of the currents sourced by all the I/Os on V_{DDIOx} , plus the maximum consumption of the MCU sourced on V_{DD} , cannot exceed the absolute maximum rating ΣI_{VDD} (see [Table 18: Voltage characteristics](#)).
- The sum of the currents sunk by all the I/Os on V_{SS} , plus the maximum consumption of the MCU sunk on V_{SS} , cannot exceed the absolute maximum rating ΣI_{VSS} (see [Table 18: Voltage characteristics](#)).

Output voltage levels

Unless otherwise specified, the parameters given in the table below are derived from tests performed under the ambient temperature and supply voltage conditions summarized in [Table 21: General operating conditions](#). All I/Os are CMOS- and TTL-compliant (FT, TTa or TC unless otherwise specified).

Table 47. Output voltage characteristics⁽¹⁾

| Symbol | Parameter | Conditions | Min | Max | Unit |
|-------------------|---|--|-----------------|-----|------|
| V_{OL} | Output low level voltage for an I/O pin | $ I_{IO} = 8 \text{ mA}$ $V_{DDIOx} \geq 2.7 \text{ V}$ | - | 0.4 | V |
| V_{OH} | Output high level voltage for an I/O pin | | $V_{DDIOx}-0.4$ | - | |
| $V_{OL}^{(2)}$ | Output low level voltage for an I/O pin | $ I_{IO} = 20 \text{ mA}$ $V_{DDIOx} \geq 2.7 \text{ V}$ | - | 1.3 | V |
| $V_{OH}^{(2)}$ | Output high level voltage for an I/O pin | | $V_{DDIOx}-1.3$ | - | |
| $V_{OL}^{(2)}$ | Output low level voltage for an I/O pin | $ I_{IO} = 6 \text{ mA}$ | - | 0.4 | V |
| $V_{OH}^{(2)}$ | Output high level voltage for an I/O pin | | $V_{DDIOx}-0.4$ | - | |
| $V_{OLFm+}^{(2)}$ | Output low level voltage for an FTf I/O pin in Fm+ mode | $ I_{IO} = 20 \text{ mA}$ $V_{DDIOx} \geq 2.7 \text{ V}$ | - | 0.4 | V |
| | | $ I_{IO} = 10 \text{ mA}$ | - | 0.4 | V |

1. The I_{IO} current sourced or sunk by the device must always respect the absolute maximum rating specified in [Table 18: Voltage characteristics](#), and the sum of the currents sourced or sunk by all the I/Os (I/O ports and control pins) must always respect the absolute maximum ratings ΣI_{IO} .
2. Data based on characterization results. Not tested in production.

Input/output AC characteristics

The definition and values of input/output AC characteristics are given in [Figure 21](#) and [Table 48](#), respectively.

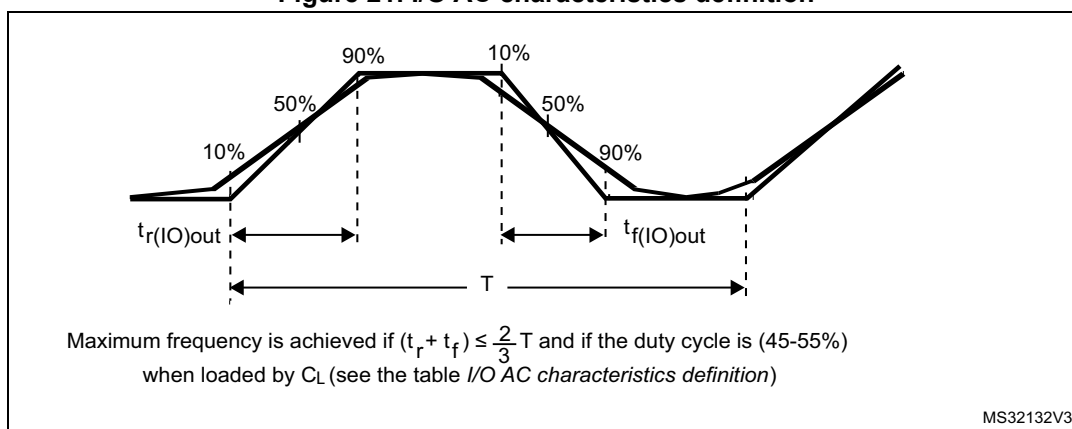
Unless otherwise specified, the parameters given are derived from tests performed under the ambient temperature and supply voltage conditions summarized in [Table 21: General operating conditions](#).

Table 48. I/O AC characteristics⁽¹⁾⁽²⁾

| OSPEEDRy [1:0] value ⁽¹⁾ | Symbol | Parameter | Conditions | Min | Max | Unit |
|--|-------------------------------------|---|--|-----|-----|------|
| x0 | $f_{\max(\text{IO})\text{out}}$ | Maximum frequency ⁽³⁾ | $C_L = 50 \text{ pF}, V_{\text{DDIOx}} \geq 2.4 \text{ V}$ | - | 2 | MHz |
| | $t_{\text{f}(\text{IO})\text{out}}$ | Output fall time | | - | 125 | ns |
| | $t_{\text{r}(\text{IO})\text{out}}$ | Output rise time | | - | 125 | |
| 01 | $f_{\max(\text{IO})\text{out}}$ | Maximum frequency ⁽³⁾ | $C_L = 50 \text{ pF}, V_{\text{DDIOx}} \geq 2.4 \text{ V}$ | - | 10 | MHz |
| | $t_{\text{f}(\text{IO})\text{out}}$ | Output fall time | | - | 25 | ns |
| | $t_{\text{r}(\text{IO})\text{out}}$ | Output rise time | | - | 25 | |
| 11 | $f_{\max(\text{IO})\text{out}}$ | Maximum frequency ⁽³⁾ | $C_L = 30 \text{ pF}, V_{\text{DDIOx}} \geq 2.7 \text{ V}$ | - | 50 | MHz |
| | | | $C_L = 50 \text{ pF}, V_{\text{DDIOx}} \geq 2.7 \text{ V}$ | - | 30 | |
| | | | $C_L = 50 \text{ pF}, 2.4 \text{ V} \leq V_{\text{DDIOx}} < 2.7 \text{ V}$ | - | 20 | |
| | $t_{\text{f}(\text{IO})\text{out}}$ | Output fall time | $C_L = 30 \text{ pF}, V_{\text{DDIOx}} \geq 2.7 \text{ V}$ | - | 5 | ns |
| | | | $C_L = 50 \text{ pF}, V_{\text{DDIOx}} \geq 2.7 \text{ V}$ | - | 8 | |
| | | | $C_L = 50 \text{ pF}, 2.4 \text{ V} \leq V_{\text{DDIOx}} < 2.7 \text{ V}$ | - | 12 | |
| | $t_{\text{r}(\text{IO})\text{out}}$ | Output rise time | $C_L = 30 \text{ pF}, V_{\text{DDIOx}} \geq 2.7 \text{ V}$ | - | 5 | |
| | | | $C_L = 50 \text{ pF}, V_{\text{DDIOx}} \geq 2.7 \text{ V}$ | - | 8 | |
| | | | $C_L = 50 \text{ pF}, 2.4 \text{ V} \leq V_{\text{DDIOx}} < 2.7 \text{ V}$ | - | 12 | |
| Fm+ configuration ⁽⁴⁾ | $f_{\max(\text{IO})\text{out}}$ | Maximum frequency ⁽³⁾ | $C_L = 50 \text{ pF}, V_{\text{DDIOx}} \geq 2.4 \text{ V}$ | - | 2 | MHz |
| | $t_{\text{f}(\text{IO})\text{out}}$ | Output fall time | | - | 12 | ns |
| | $t_{\text{r}(\text{IO})\text{out}}$ | Output rise time | | - | 34 | |
| - | $t_{\text{EXTI}pw}$ | Pulse width of external signals detected by the EXTI controller | - | 10 | - | ns |

1. The I/O speed is configured using the OSPEEDRx[1:0] bits. Refer to the STM32F0xxx RM0360 reference manual for a description of GPIO Port configuration register.
2. Guaranteed by design, not tested in production.
3. The maximum frequency is defined in [Figure 21](#).
4. When Fm+ configuration is set, the I/O speed control is bypassed. Refer to the STM32F0xxx reference manual RM0360 for a detailed description of Fm+ I/O configuration.

Figure 21. I/O AC characteristics definition



6.3.15 NRST pin characteristics

The NRST pin input driver uses the CMOS technology. It is connected to a permanent pull-up resistor, R_{PU} .

Unless otherwise specified, the parameters given in the table below are derived from tests performed under the ambient temperature and supply voltage conditions summarized in [Table 21: General operating conditions](#).

Table 49. NRST pin characteristics

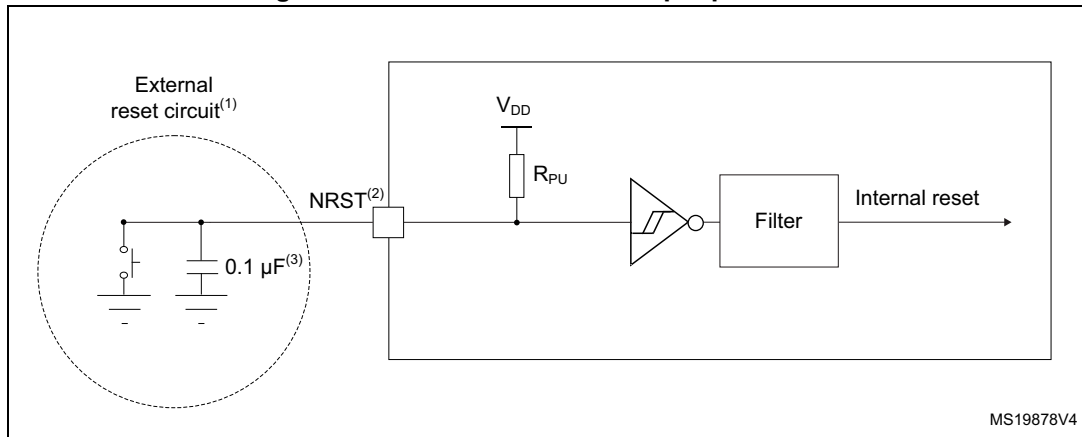
| Symbol | Parameter | Conditions | Min | Typ | Max | Unit |
|-----------------|---|----------------------|------------------------------|-----|---------------------------|------------|
| $V_{IL(NRST)}$ | NRST input low level voltage | - | - | - | $0.3 V_{DD} + 0.07^{(1)}$ | V |
| $V_{IH(NRST)}$ | NRST input high level voltage | - | $0.445 V_{DD} + 0.398^{(1)}$ | - | - | |
| $V_{hys(NRST)}$ | NRST Schmitt trigger voltage hysteresis | - | - | 200 | - | mV |
| R_{PU} | Weak pull-up equivalent resistor ⁽²⁾ | $V_{IN} = V_{SS}$ | 25 | 40 | 55 | k Ω |
| $V_{F(NRST)}$ | NRST input filtered pulse | - | - | - | $100^{(1)}$ | ns |
| $V_{NF(NRST)}$ | NRST input not filtered pulse | $2.7 < V_{DD} < 3.6$ | $300^{(3)}$ | - | - | ns |
| | | $2.4 < V_{DD} < 3.6$ | $500^{(3)}$ | - | - | |

1. Data based on design simulation only. Not tested in production.

2. The pull-up is designed with a true resistance in series with a switchable PMOS. This PMOS contribution to the series resistance is minimal (~10% order).

3. Data based on design simulation only. Not tested in production.

Figure 22. Recommended NRST pin protection



1. The external capacitor protects the device against parasitic resets.
2. The user must ensure that the level on the NRST pin can go below the $V_{IL(NRST)}$ max level specified in [Table 49: NRST pin characteristics](#). Otherwise the reset will not be taken into account by the device.

6.3.16 12-bit ADC characteristics

Unless otherwise specified, the parameters given in [Table 50](#) are preliminary values derived from tests performed under ambient temperature, f_{PCLK} frequency and V_{DDA} supply voltage conditions summarized in [Table 21: General operating conditions](#).

Note: It is recommended to perform a calibration after each power-up.

Table 50. ADC characteristics

| Symbol | Parameter | Conditions | Min | Typ | Max | Unit |
|------------------|---|---|------|-----|-----------|-------------|
| V_{DDA} | Analog supply voltage for ADC ON | - | 2.4 | - | 3.6 | V |
| $I_{DDA(ADC)}$ | Current consumption of the ADC ⁽¹⁾ | $V_{DD} = V_{DDA} = 3.3$ V | - | 0.9 | - | mA |
| f_{ADC} | ADC clock frequency | - | 0.6 | - | 14 | MHz |
| $f_S^{(2)}$ | Sampling rate | - | 0.05 | - | 1 | MHz |
| $f_{TRIG}^{(2)}$ | External trigger frequency | $f_{ADC} = 14$ MHz | - | - | 823 | kHz |
| | | - | - | - | 17 | $1/f_{ADC}$ |
| V_{AIN} | Conversion voltage range | - | 0 | - | V_{DDA} | V |
| $R_{AIN}^{(2)}$ | External input impedance | See Equation 1 and Table 51 for details | - | - | 50 | k Ω |
| $R_{ADC}^{(2)}$ | Sampling switch resistance | - | - | - | 1 | k Ω |
| $C_{ADC}^{(2)}$ | Internal sample and hold capacitor | - | - | - | 8 | pF |

Table 50. ADC characteristics (continued)

| Symbol | Parameter | Conditions | Min | Typ | Max | Unit |
|------------------------|---|--|---|-----|--------------------------------------|------------------|
| $t_{CAL}^{(2)(3)}$ | Calibration time | $f_{ADC} = 14 \text{ MHz}$ | 5.9 | | | μs |
| | | - | 83 | | | $1/f_{ADC}$ |
| $W_{LATENCY}^{(2)(4)}$ | ADC_DR register write latency | ADC clock = HSI14 | 1.5 ADC cycles + 2 f_{PCLK} cycles | - | 1.5 ADC cycles + 3 f_{PCLK} cycles | - |
| | | ADC clock = PCLK/2 | - | 4.5 | - | f_{PCLK} cycle |
| | | ADC clock = PCLK/4 | - | 8.5 | - | f_{PCLK} cycle |
| $t_{latr}^{(2)}$ | Trigger conversion latency | $f_{ADC} = f_{PCLK}/2 = 14 \text{ MHz}$ | 0.196 | | | μs |
| | | $f_{ADC} = f_{PCLK}/2$ | 5.5 | | | $1/f_{PCLK}$ |
| | | $f_{ADC} = f_{PCLK}/4 = 12 \text{ MHz}$ | 0.219 | | | μs |
| | | $f_{ADC} = f_{PCLK}/4$ | 10.5 | | | $1/f_{PCLK}$ |
| | | $f_{ADC} = f_{HSI14} = 14 \text{ MHz}$ | 0.188 | - | 0.259 | μs |
| Jitter _{ADC} | ADC jitter on trigger conversion | $f_{ADC} = f_{HSI14}$ | - | 1 | - | $1/f_{HSI14}$ |
| $t_S^{(2)}$ | Sampling time | $f_{ADC} = 14 \text{ MHz}$ | 0.107 | - | 17.1 | μs |
| | | - | 1.5 | - | 239.5 | $1/f_{ADC}$ |
| $t_{STAB}^{(2)}$ | Stabilization time | - | 14 | | | $1/f_{ADC}$ |
| $t_{CONV}^{(2)}$ | Total conversion time (including sampling time) | $f_{ADC} = 14 \text{ MHz}$, 12-bit resolution | 1 | - | 18 | μs |
| | | 12-bit resolution | 14 to 252 (t_S for sampling + 12.5 for successive approximation) | | | $1/f_{ADC}$ |

1. During conversion of the sampled value (12.5 x ADC clock period), an additional consumption of 100 μA on I_{DDA} and 60 μA on I_{DD} should be taken into account.
2. Guaranteed by design, not tested in production.
3. Specified value includes only ADC timing. It does not include the latency of the register access.
4. This parameter specify latency for transfer of the conversion result to the ADC_DR register. EOC flag is set at this time.

Equation 1: R_{AIN} max formula

$$R_{AIN} < \frac{T_S}{f_{ADC} \times C_{ADC} \times \ln(2^{N+2})} - R_{ADC}$$

The formula above ([Equation 1](#)) is used to determine the maximum external impedance allowed for an error below 1/4 of LSB. Here N = 12 (from 12-bit resolution).

Table 51. R_{AIN} max for $f_{ADC} = 14$ MHz

| T_s (cycles) | t_s (μ s) | R_{AIN} max ($k\Omega$) ⁽¹⁾ |
|----------------|------------------|--|
| 1.5 | 0.11 | 0.4 |
| 7.5 | 0.54 | 5.9 |
| 13.5 | 0.96 | 11.4 |
| 28.5 | 2.04 | 25.2 |
| 41.5 | 2.96 | 37.2 |
| 55.5 | 3.96 | 50 |
| 71.5 | 5.11 | NA |
| 239.5 | 17.1 | NA |

1. Guaranteed by design, not tested in production.

Table 52. ADC accuracy⁽¹⁾⁽²⁾⁽³⁾

| Symbol | Parameter | Test conditions | Typ | Max ⁽⁴⁾ | Unit |
|--------|------------------------------|---|-----------|--------------------|------|
| ET | Total unadjusted error | $f_{PCLK} = 48$ MHz, $f_{ADC} = 14$ MHz, $R_{AIN} < 10$ k Ω $V_{DDA} = 2.7$ V to 3.6 V $T_A = -40$ to 85 °C | ± 3.3 | ± 4 | LSB |
| EO | Offset error | | ± 1.9 | ± 2.8 | |
| EG | Gain error | | ± 2.8 | ± 3 | |
| ED | Differential linearity error | | ± 0.7 | ± 1.3 | |
| EL | Integral linearity error | | ± 1.2 | ± 1.7 | |

1. ADC DC accuracy values are measured after internal calibration.
2. ADC Accuracy vs. Negative Injection Current: Injecting negative current on any of the standard (non-robust) analog input pins should be avoided as this significantly reduces the accuracy of the conversion being performed on another analog input. It is recommended to add a Schottky diode (pin to ground) to standard analog pins which may potentially inject negative current. Any positive injection current within the limits specified for $I_{INJ(PIN)}$ and $\Sigma I_{INJ(PIN)}$ in [Section 6.3.14](#) does not affect the ADC accuracy.
3. Better performance may be achieved in restricted V_{DDA} , frequency and temperature ranges.
4. Data based on characterization results, not tested in production.

Figure 23. ADC accuracy characteristics

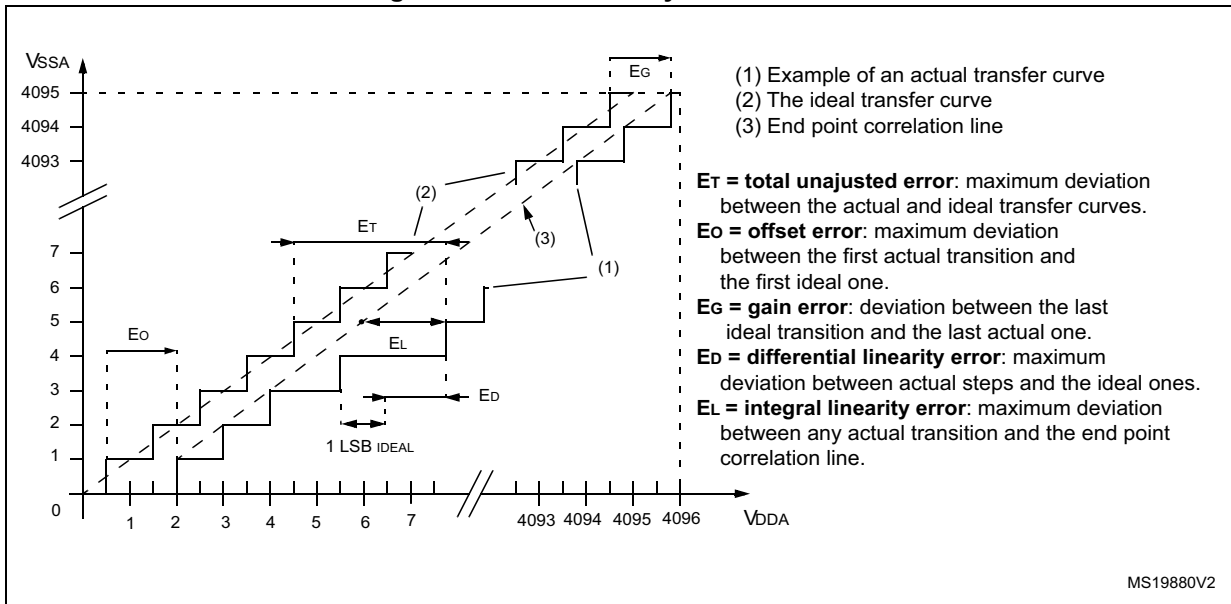
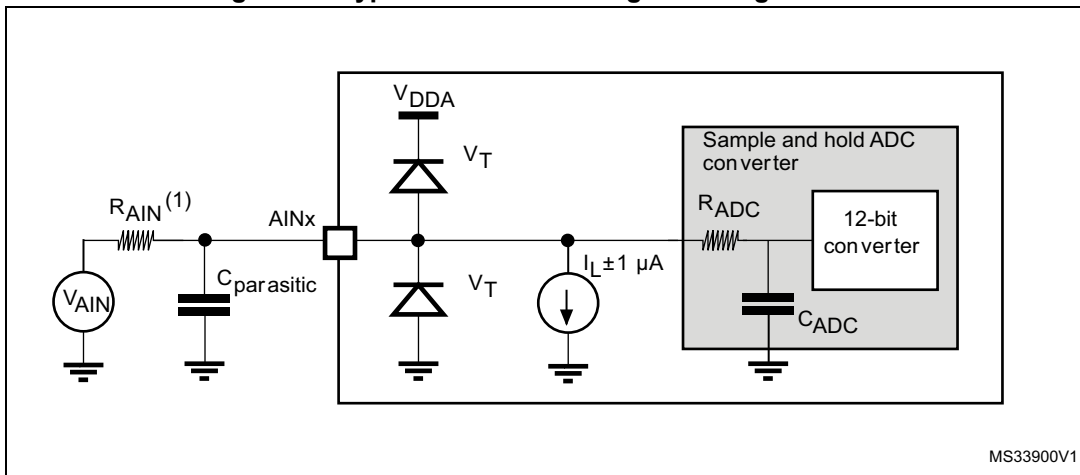


Figure 24. Typical connection diagram using the ADC



1. Refer to [Table 50: ADC characteristics](#) for the values of R_{AIN} , R_{ADC} and C_{ADC} .
2. $C_{parasitic}$ represents the capacitance of the PCB (dependent on soldering and PCB layout quality) plus the pad capacitance (roughly 7 pF). A high $C_{parasitic}$ value will downgrade conversion accuracy. To remedy this, f_{ADC} should be reduced.

General PCB design guidelines

Power supply decoupling should be performed as shown in [Figure 13: Power supply scheme](#). The 10 nF capacitor should be ceramic (good quality) and it should be placed as close as possible to the chip.

6.3.17 Temperature sensor characteristics

Table 53. TS characteristics

| Symbol | Parameter | Min | Typ | Max | Unit |
|----------------------------|--|------|---------|---------|------------------------|
| $T_L^{(1)}$ | V_{SENSE} linearity with temperature | - | ± 1 | ± 2 | $^{\circ}\text{C}$ |
| Avg_Slope ⁽¹⁾ | Average slope | 4.0 | 4.3 | 4.6 | mV/ $^{\circ}\text{C}$ |
| V_{30} | Voltage at 30 $^{\circ}\text{C}$ (± 5 $^{\circ}\text{C}$) ⁽²⁾ | 1.34 | 1.43 | 1.52 | V |
| $t_{\text{START}}^{(1)}$ | ADC_IN16 buffer startup time | - | - | 10 | μs |
| $t_{\text{S_temp}}^{(1)}$ | ADC sampling time when reading the temperature | 4 | - | - | μs |

1. Guaranteed by design, not tested in production.
2. Measured at $V_{\text{DDA}} = 3.3 \text{ V} \pm 10 \text{ mV}$. The V_{30} ADC conversion result is stored in the TS_CAL1 byte. Refer to [Table 3: Temperature sensor calibration values](#).

6.3.18 Timer characteristics

The parameters given in the following tables are guaranteed by design.

Refer to [Section 6.3.14: I/O port characteristics](#) for details on the input/output alternate function characteristics (output compare, input capture, external clock, PWM output).

Table 54. TIMx characteristics

| Symbol | Parameter | Conditions | Min | Typ | Max | Unit |
|-------------------------|--|---------------------------------------|-----|------------------------|-----|----------------------|
| $t_{\text{res(TIM)}}$ | Timer resolution | - | - | 1 | - | t_{TIMxCLK} |
| | | $f_{\text{TIMxCLK}} = 48 \text{ MHz}$ | - | 20.8 | - | ns |
| f_{EXT} | Timer external clock frequency on CH1 to CH4 | - | - | $f_{\text{TIMxCLK}}/2$ | - | MHz |
| | | $f_{\text{TIMxCLK}} = 48 \text{ MHz}$ | - | 24 | - | MHz |
| $t_{\text{MAX_COUNT}}$ | 16-bit timer maximum period | - | - | 2^{16} | - | t_{TIMxCLK} |
| | | $f_{\text{TIMxCLK}} = 48 \text{ MHz}$ | - | 1365 | - | μs |
| | 32-bit timer maximum period | - | - | 2^{32} | - | t_{TIMxCLK} |
| | | $f_{\text{TIMxCLK}} = 48 \text{ MHz}$ | - | 89.48 | - | s |

Table 55. IWDG min/max timeout period at 40 kHz (LSI)⁽¹⁾

| Prescaler divider | PR[2:0] bits | Min timeout RL[11:0]= 0x000 | Max timeout RL[11:0]= 0xFFFF | Unit |
|-------------------|--------------|--------------------------------|---------------------------------|------|
| /4 | 0 | 0.1 | 409.6 | ms |
| /8 | 1 | 0.2 | 819.2 | |
| /16 | 2 | 0.4 | 1638.4 | |
| /32 | 3 | 0.8 | 3276.8 | |
| /64 | 4 | 1.6 | 6553.6 | |
| /128 | 5 | 3.2 | 13107.2 | |
| /256 | 6 or 7 | 6.4 | 26214.4 | |

1. These timings are given for a 40 kHz clock but the microcontroller internal RC frequency can vary from 30 to 60 kHz. Moreover, given an exact RC oscillator frequency, the exact timings still depend on the phasing of the APB interface clock versus the LSI clock so that there is always a full RC period of uncertainty.

Table 56. WWDG min/max timeout value at 48 MHz (PCLK)

| Prescaler | WDGTB | Min timeout value | Max timeout value | Unit |
|-----------|-------|-------------------|-------------------|------|
| 1 | 0 | 0.0853 | 5.4613 | ms |
| 2 | 1 | 0.1706 | 10.9226 | |
| 4 | 2 | 0.3413 | 21.8453 | |
| 8 | 3 | 0.6826 | 43.6906 | |

6.3.19 Communication interfaces

I²C interface characteristics

The I2C interface meets the timings requirements of the I²C-bus specification and user manual rev. 03 for:

- Standard-mode (Sm): with a bit rate up to 100 kbit/s
- Fast-mode (Fm): with a bit rate up to 400 kbit/s
- Fast-mode Plus (Fm+): with a bit rate up to 1 Mbit/s.

The I2C timings requirements are guaranteed by design when the I2C peripheral is properly configured (refer to Reference manual).

The SDA and SCL I/O requirements are met with the following restrictions: the SDA and SCL I/O pins are not “true” open-drain. When configured as open-drain, the PMOS connected between the I/O pin and V_{DDIOx} is disabled, but is still present. Only FTf I/O pins support Fm+ low level output current maximum requirement. Refer to [Section 6.3.14: I/O port characteristics](#) for the I2C I/Os characteristics.

All I2C SDA and SCL I/Os embed an analog filter. Refer to the table below for the analog filter characteristics:

Table 57. I2C analog filter characteristics⁽¹⁾

| Symbol | Parameter | Min | Max | Unit |
|----------|--|-------------------|--------------------|------|
| t_{AF} | Maximum pulse width of spikes that are suppressed by the analog filter | 50 ⁽²⁾ | 260 ⁽³⁾ | ns |

1. Guaranteed by design, not tested in production.
2. Spikes with widths below $t_{AF(min)}$ are filtered.
3. Spikes with widths above $t_{AF(max)}$ are not filtered

SPI characteristics

Unless otherwise specified, the parameters given in [Table 58](#) for SPI are derived from tests performed under the ambient temperature, f_{PCLKx} frequency and supply voltage conditions summarized in [Table 21: General operating conditions](#).

Refer to [Section 6.3.14: I/O port characteristics](#) for more details on the input/output alternate function characteristics.

Table 58. SPI characteristics⁽¹⁾

| Symbol | Parameter | Conditions | Min | Max | Unit | |
|--------------------------------|----------------------------------|--|-------------|-------------|------|---|
| f_{SCK} $1/t_{c(SCK)}$ | SPI clock frequency | Master mode | - | 18 | MHz | |
| | | Slave mode | - | 18 | | |
| $t_{r(SCK)}$ $t_{f(SCK)}$ | SPI clock rise and fall time | Capacitive load: C = 15 pF | - | 6 | ns | |
| $t_{su(NSS)}$ | NSS setup time | Slave mode | 4Tpclk | - | ns | |
| $t_{h(NSS)}$ | NSS hold time | Slave mode | 2Tpclk + 10 | - | | |
| $t_{w(SCKH)}$ $t_{w(SCKL)}$ | SCK high and low time | Master mode, $f_{PCLK} = 36$ MHz, presc = 4 | Tpclk/2 - 2 | Tpclk/2 + 1 | | |
| $t_{su(MI)}$ $t_{su(SI)}$ | Data input setup time | Master mode | 4 | - | | |
| | | Slave mode | 5 | - | | |
| $t_{h(MI)}$ $t_{h(SI)}$ | Data input hold time | Master mode | 4 | - | | |
| | | Slave mode | 5 | - | | |
| $t_{a(SO)}^{(2)}$ | Data output access time | Slave mode, $f_{PCLK} = 20$ MHz | 0 | 3Tpclk | | |
| $t_{dis(SO)}^{(3)}$ | Data output disable time | Slave mode | 0 | 18 | | |
| $t_{v(SO)}$ | Data output valid time | Slave mode (after enable edge) | - | 22.5 | | |
| $t_{v(MO)}$ | Data output valid time | Master mode (after enable edge) | - | 6 | | |
| $t_{h(SO)}$ $t_{h(MO)}$ | Data output hold time | Slave mode (after enable edge) | 11.5 | - | | |
| | | Master mode (after enable edge) | 2 | - | | |
| DuCy(SCK) | SPI slave input clock duty cycle | Slave mode | 25 | 75 | | % |

1. Data based on characterization results, not tested in production.
2. Min time is for the minimum time to drive the output and the max time is for the maximum time to validate the data.
3. Min time is for the minimum time to invalidate the output and the max time is for the maximum time to put the data in Hi-Z

Figure 25. SPI timing diagram - slave mode and CPHA = 0

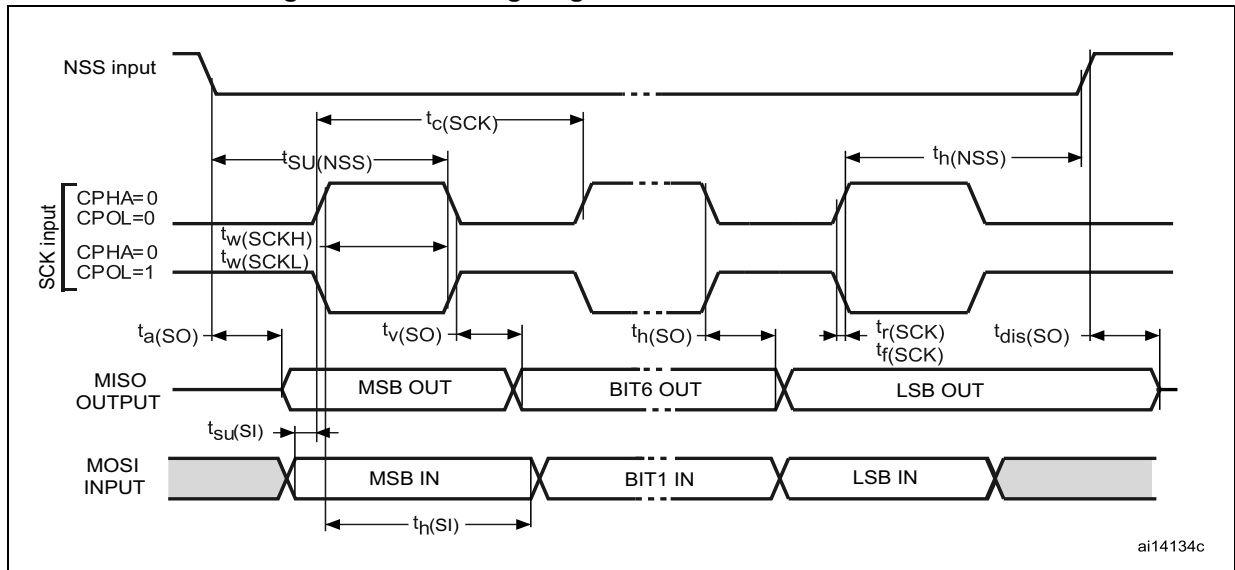
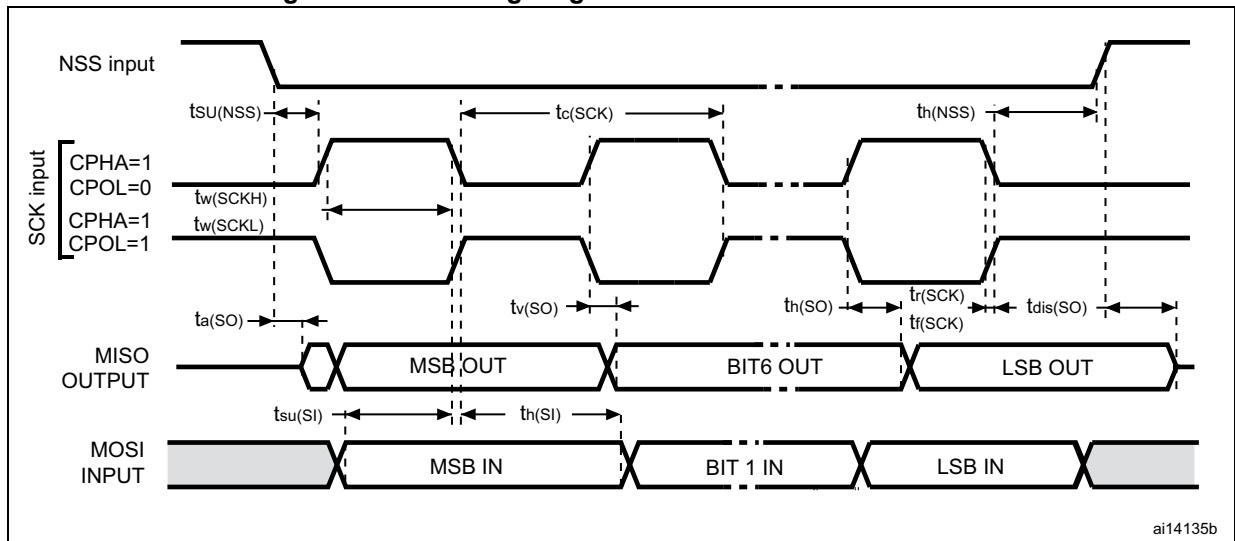
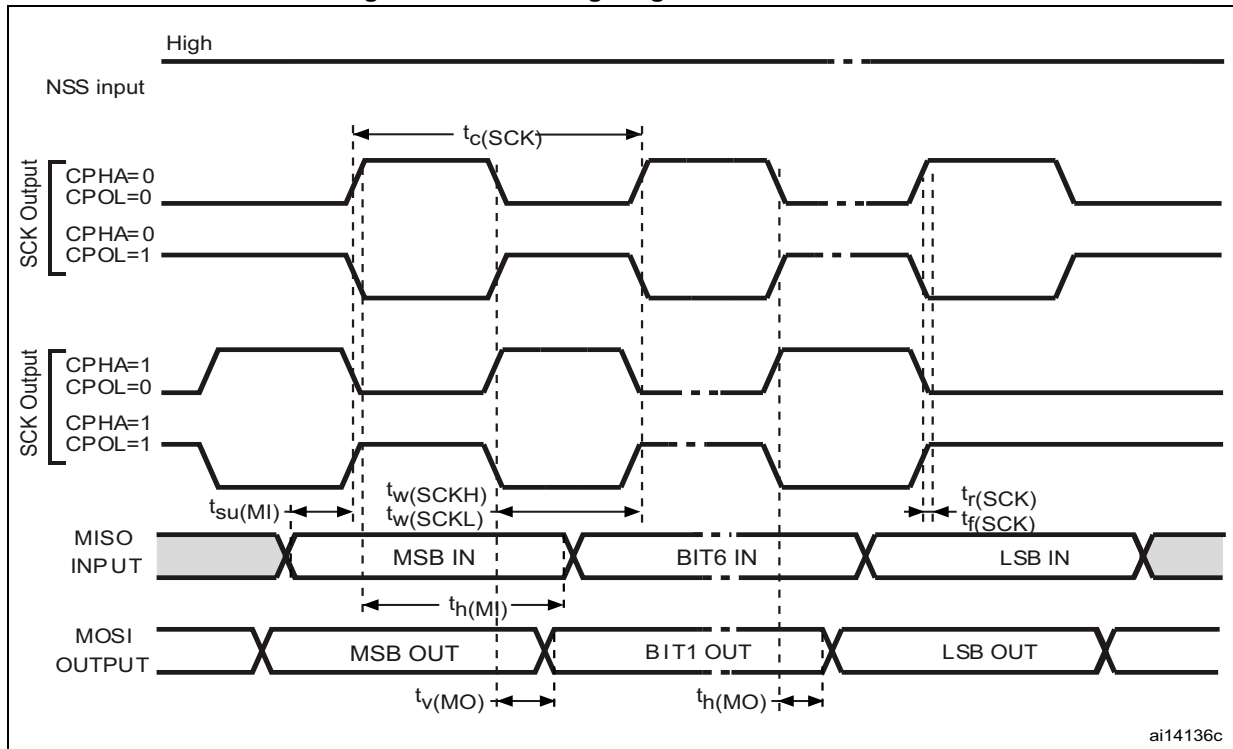


Figure 26. SPI timing diagram - slave mode and CPHA = 1



1. Measurement points are done at CMOS levels: 0.3 V_{DD} and 0.7 V_{DD}.

Figure 27. SPI timing diagram - master mode



1. Measurement points are done at CMOS levels: 0.3 V_{DD} and 0.7 V_{DD}.

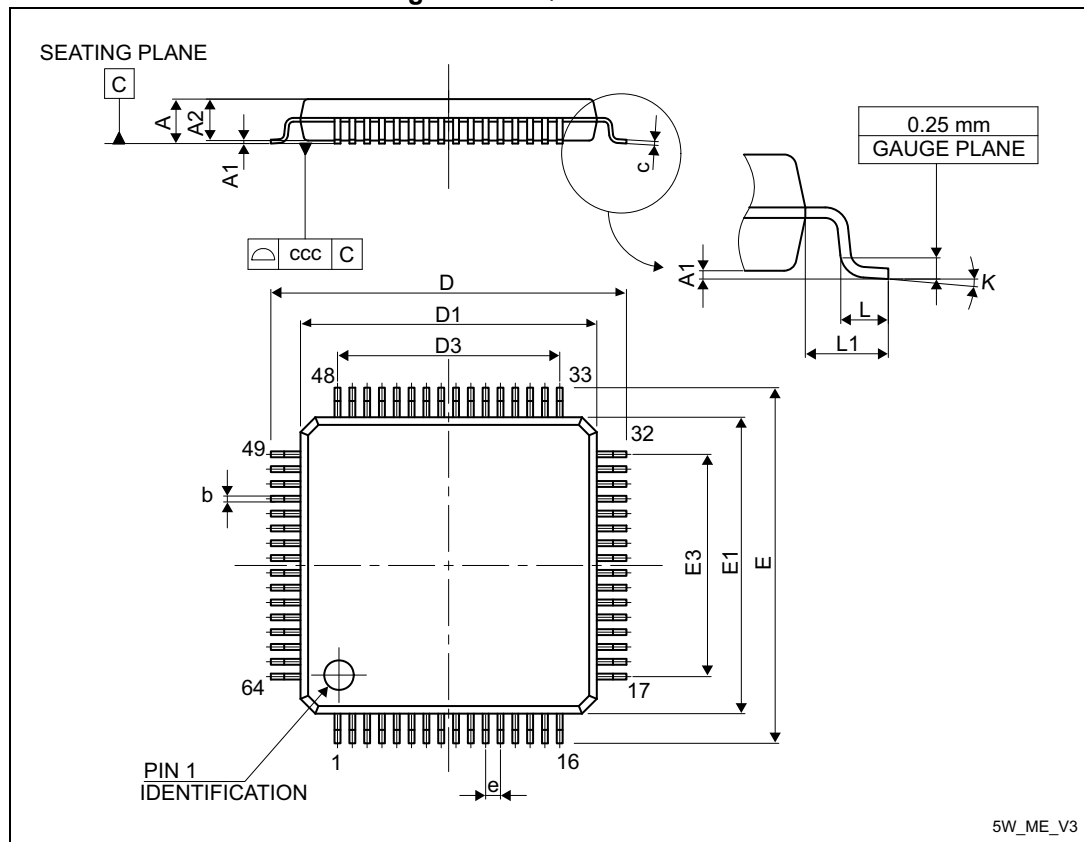
7 Package information

In order to meet environmental requirements, ST offers these devices in different grades of ECOPACK[®] packages, depending on their level of environmental compliance. ECOPACK[®] specifications, grade definitions and product status are available at: www.st.com. ECOPACK[®] is an ST trademark.

7.1 LQFP64 package information

LQFP64 is 64-pin, 10 x 10 mm low-profile quad flat package.

Figure 28. LQFP64 outline



1. Drawing is not to scale.

Table 59. LQFP64 mechanical data

| Symbol | millimeters | | | inches ⁽¹⁾ | | |
|--------|-------------|-------|-------|-----------------------|--------|--------|
| | Min | Typ | Max | Min | Typ | Max |
| A | - | - | 1.600 | - | - | 0.0630 |
| A1 | 0.050 | - | 0.150 | 0.0020 | - | 0.0059 |
| A2 | 1.350 | 1.400 | 1.450 | 0.0531 | 0.0551 | 0.0571 |

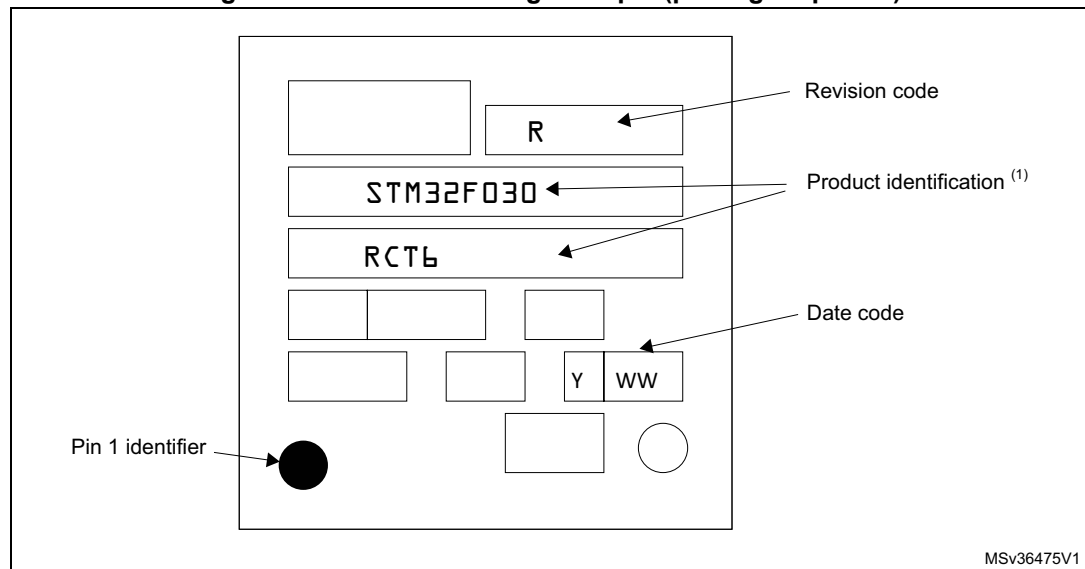
Device marking

The following figure gives an example of topside marking orientation versus pin 1 identifier location.

The printed markings may differ depending on the supply chain.

Other optional marking or inset/upset marks, which identify the parts throughout supply chain operations, are not indicated below.

Figure 30. LQFP64 marking example (package top view)

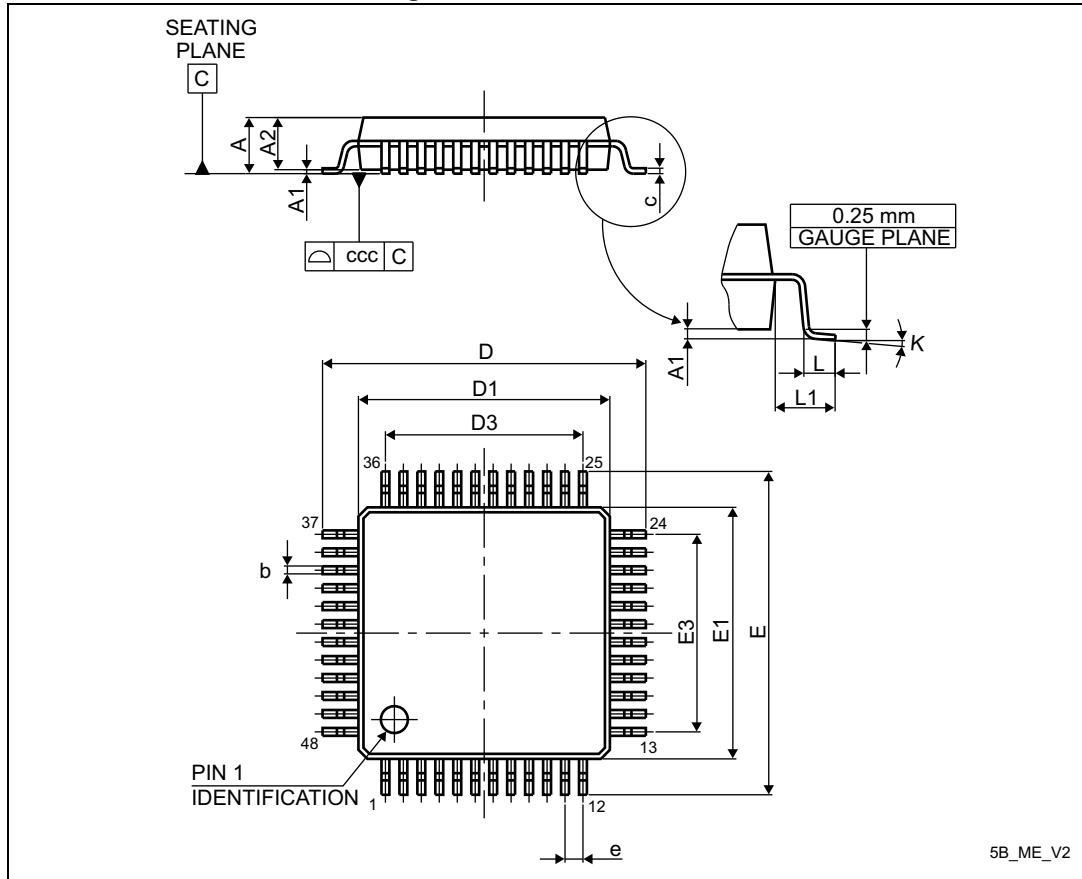


1. Parts marked as ES or E or accompanied by an Engineering Sample notification letter are not yet qualified and therefore not approved for use in production. ST is not responsible for any consequences resulting from such use. In no event will ST be liable for the customer using any of these engineering samples in production. ST's Quality department must be contacted prior to any decision to use these engineering samples to run a qualification activity.

7.2 LQFP48 package information

LQFP48 is a 48-pin, 7 x 7 mm low-profile quad flat package

Figure 31. LQFP48 outline



1. Drawing is not to scale.

Table 60. LQFP48 mechanical data

| Symbol | millimeters | | | inches ⁽¹⁾ | | |
|--------|-------------|-------|-------|-----------------------|--------|--------|
| | Min | Typ | Max | Min | Typ | Max |
| A | - | - | 1.600 | - | - | 0.0630 |
| A1 | 0.050 | - | 0.150 | 0.0020 | - | 0.0059 |
| A2 | 1.350 | 1.400 | 1.450 | 0.0531 | 0.0551 | 0.0571 |
| b | 0.170 | 0.220 | 0.270 | 0.0067 | 0.0087 | 0.0106 |
| c | 0.090 | - | 0.200 | 0.0035 | - | 0.0079 |
| D | 8.800 | 9.000 | 9.200 | 0.3465 | 0.3543 | 0.3622 |
| D1 | 6.800 | 7.000 | 7.200 | 0.2677 | 0.2756 | 0.2835 |
| D3 | - | 5.500 | - | - | 0.2165 | - |
| E | 8.800 | 9.000 | 9.200 | 0.3465 | 0.3543 | 0.3622 |

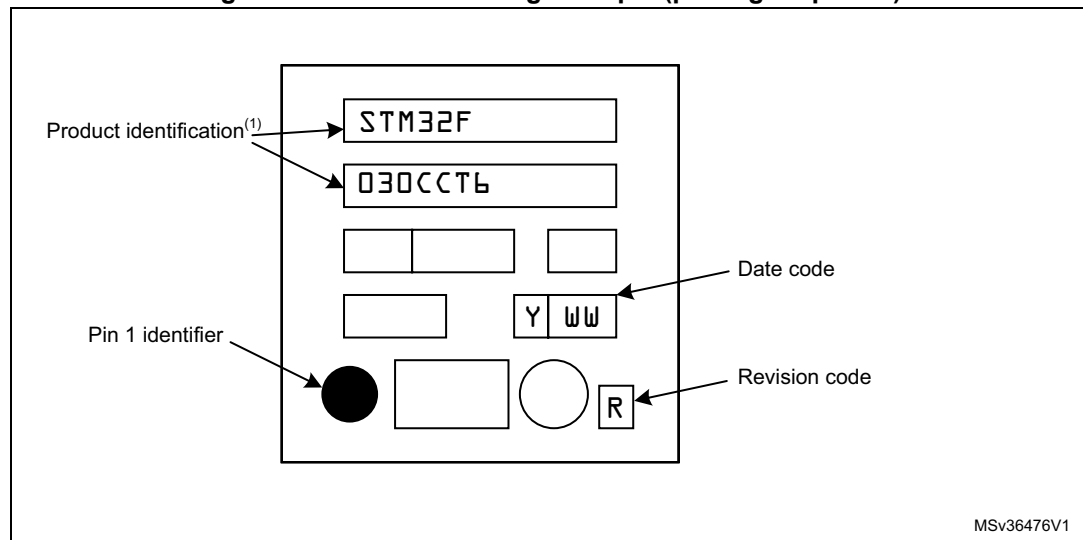
Device marking

The following figure gives an example of topside marking orientation versus pin 1 identifier location.

The printed markings may differ depending on the supply chain.

Other optional marking or inset/upset marks, which identify the parts throughout supply chain operations, are not indicated below.

Figure 33. LQFP48 marking example (package top view)

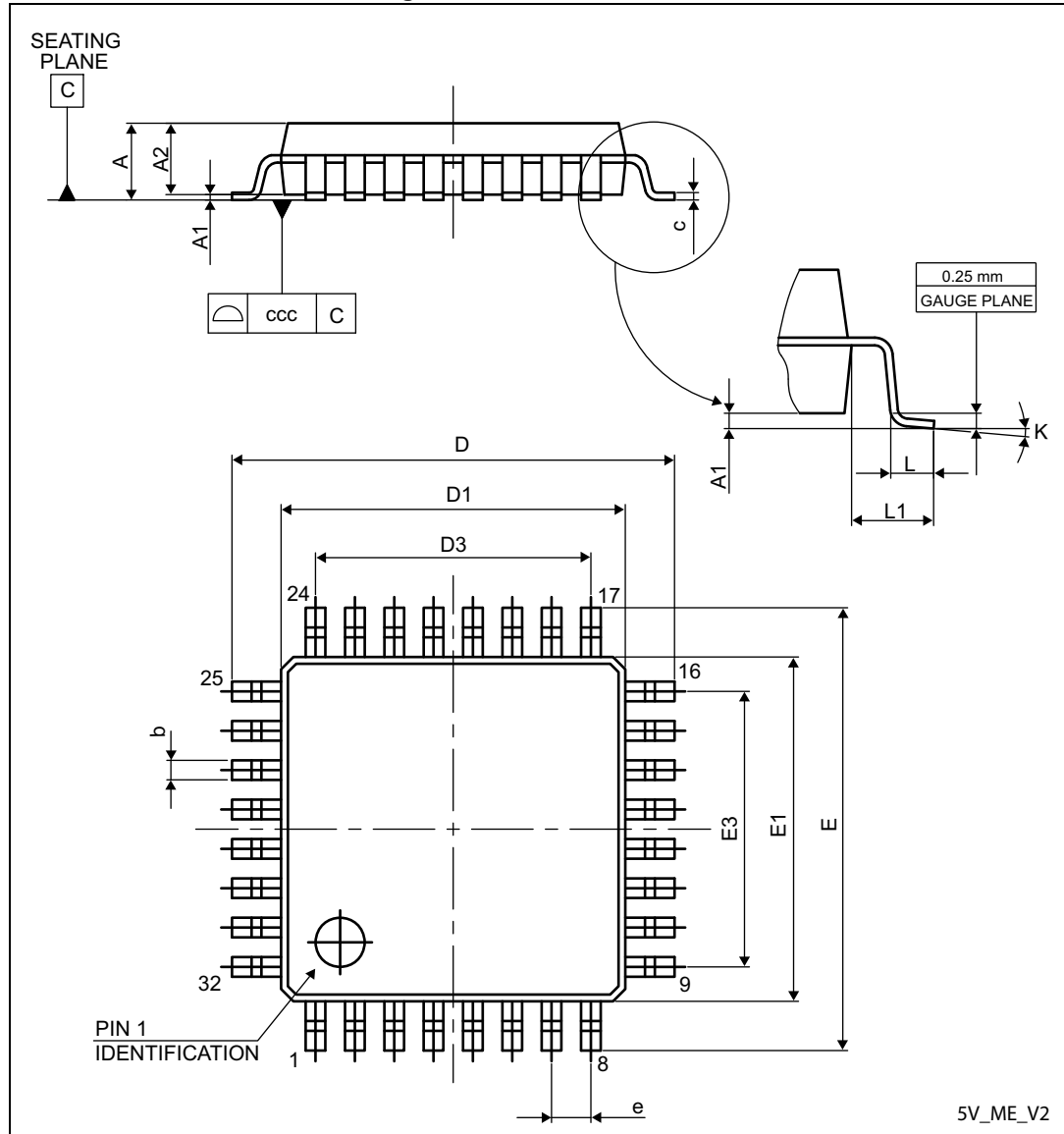


1. Parts marked as ES or E or accompanied by an Engineering Sample notification letter are not yet qualified and therefore not approved for use in production. ST is not responsible for any consequences resulting from such use. In no event will ST be liable for the customer using any of these engineering samples in production. ST's Quality department must be contacted prior to any decision to use these engineering samples to run a qualification activity.

7.3 LQFP32 package information

LQFP32 is a 32-pin, 7 x 7 mm low-profile quad flat package

Figure 34. LQFP32 outline



1. Drawing is not to scale.

Table 61. LQFP32 mechanical data

| Symbol | millimeters | | | inches ⁽¹⁾ | | |
|--------|-------------|-------|-------|-----------------------|--------|--------|
| | Min | Typ | Max | Min | Typ | Max |
| A | - | - | 1.600 | - | - | 0.0630 |
| A1 | 0.050 | - | 0.150 | 0.0020 | - | 0.0059 |
| A2 | 1.350 | 1.400 | 1.450 | 0.0531 | 0.0551 | 0.0571 |

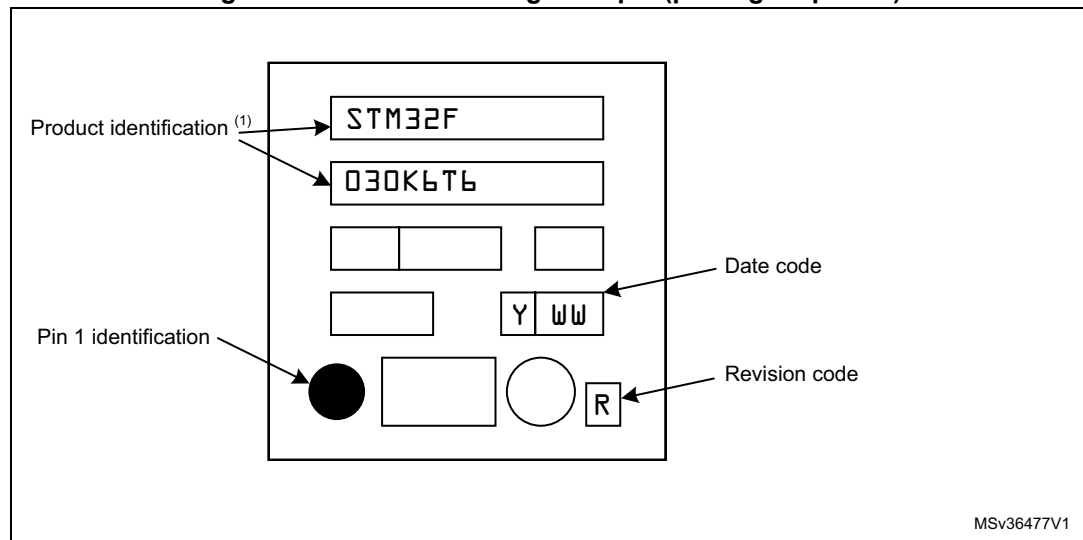
Device marking

The following figure gives an example of topside marking orientation versus pin 1 identifier location.

The printed markings may differ depending on the supply chain.

Other optional marking or inset/upset marks, which identify the parts throughout supply chain operations, are not indicated below.

Figure 36. LQFP32 marking example (package top view)

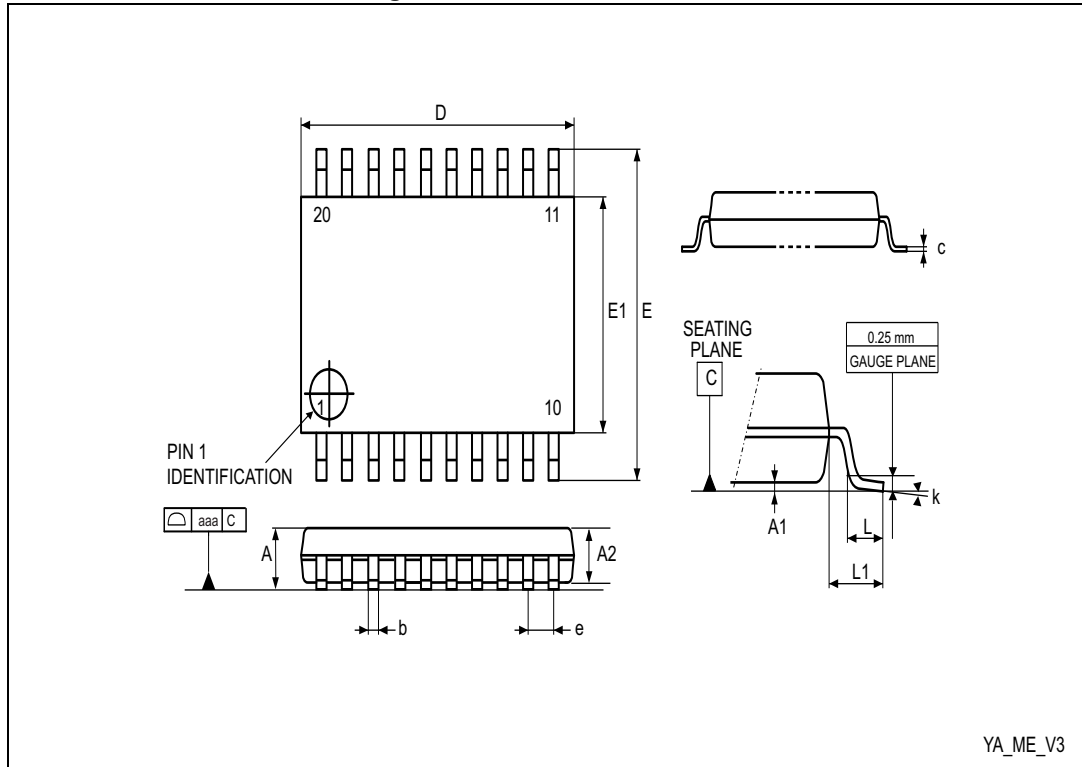


1. Parts marked as ES or E or accompanied by an Engineering Sample notification letter are not yet qualified and therefore not approved for use in production. ST is not responsible for any consequences resulting from such use. In no event will ST be liable for the customer using any of these engineering samples in production. ST's Quality department must be contacted prior to any decision to use these engineering samples to run a qualification activity.

7.4 TSSOP20 package information

TSSOP20 is a 20-lead thin shrink small outline, 6.5 x 4.4 mm, 0.65 mm pitch package.

Figure 37. TSSOP20 outline



1. Drawing is not to scale.

Table 62. TSSOP20 mechanical data

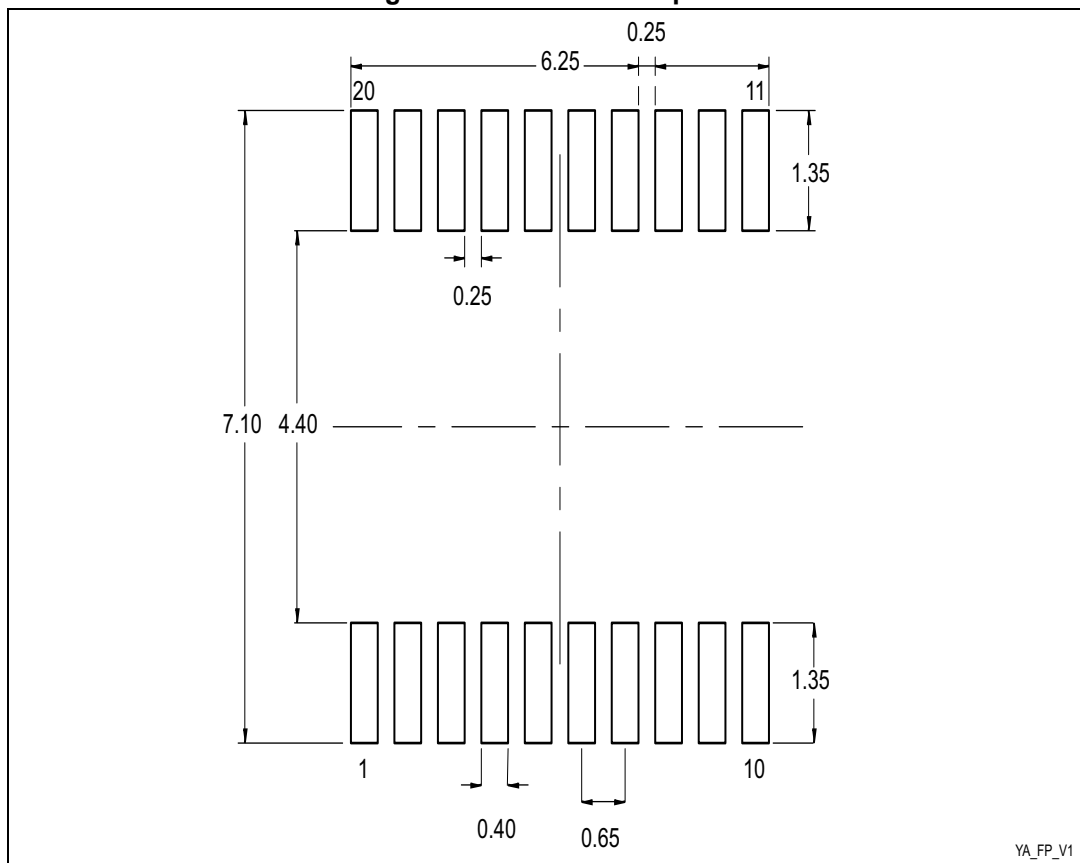
| Symbol | millimeters | | | inches ⁽¹⁾ | | |
|--------|-------------|-------|-------|-----------------------|--------|--------|
| | Min. | Typ. | Max. | Min. | Typ. | Max. |
| A | - | - | 1.200 | - | - | 0.0472 |
| A1 | 0.050 | - | 0.150 | 0.0020 | - | 0.0059 |
| A2 | 0.800 | 1.000 | 1.050 | 0.0315 | 0.0394 | 0.0413 |
| b | 0.190 | - | 0.300 | 0.0075 | - | 0.0118 |
| c | 0.090 | - | 0.200 | 0.0035 | - | 0.0079 |
| D | 6.400 | 6.500 | 6.600 | 0.2520 | 0.2559 | 0.2598 |
| E | 6.200 | 6.400 | 6.600 | 0.2441 | 0.2520 | 0.2598 |
| E1 | 4.300 | 4.400 | 4.500 | 0.1693 | 0.1732 | 0.1772 |
| e | - | 0.650 | - | - | 0.0256 | - |
| L | 0.450 | 0.600 | 0.750 | 0.0177 | 0.0236 | 0.0295 |
| L1 | - | 1.000 | - | - | 0.0394 | - |

Table 62. TSSOP20 mechanical data (continued)

| Symbol | millimeters | | | inches ⁽¹⁾ | | |
|--------|-------------|------|-------|-----------------------|------|--------|
| | Min. | Typ. | Max. | Min. | Typ. | Max. |
| k | 0° | - | 8° | 0° | - | 8° |
| aaa | - | - | 0.100 | - | - | 0.0039 |

1. Values in inches are converted from mm and rounded to four decimal digits.

Figure 38. TSSOP20 footprint



1. Dimensions are expressed in millimeters.

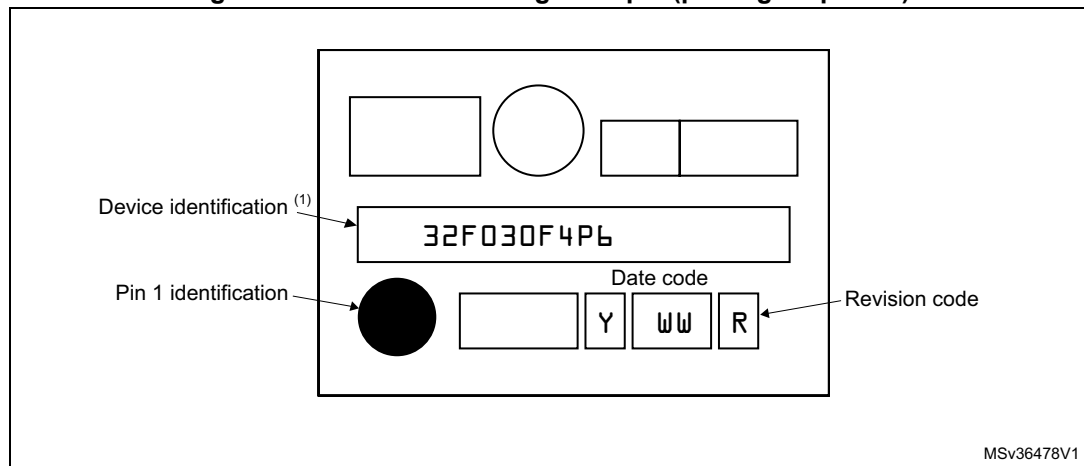
Device marking

The following figure gives an example of topside marking orientation versus pin 1 identifier location.

The printed markings may differ depending on the supply chain.

Other optional marking or inset/upset marks, which identify the parts throughout supply chain operations, are not indicated below.

Figure 39. TSSOP20 marking example (package top view)



1. Parts marked as ES or E or accompanied by an Engineering Sample notification letter are not yet qualified and therefore not approved for use in production. ST is not responsible for any consequences resulting from such use. In no event will ST be liable for the customer using any of these engineering samples in production. ST's Quality department must be contacted prior to any decision to use these engineering samples to run a qualification activity.

7.5 Thermal characteristics

The maximum chip junction temperature (T_{Jmax}) must never exceed the values given in [Table 21: General operating conditions](#).

The maximum chip-junction temperature, T_J max, in degrees Celsius, may be calculated using the following equation:

$$T_J \text{ max} = T_A \text{ max} + (P_D \text{ max} \times \Theta_{JA})$$

Where:

- T_A max is the maximum ambient temperature in °C,
- Θ_{JA} is the package junction-to-ambient thermal resistance, in °C/W,
- P_D max is the sum of P_{INT} max and $P_{I/O}$ max (P_D max = P_{INT} max + $P_{I/O}$ max),
- P_{INT} max is the product of I_{DD} and V_{DD} , expressed in Watts. This is the maximum chip internal power.

$P_{I/O}$ max represents the maximum power dissipation on output pins where:

$$P_{I/O} \text{ max} = \Sigma (V_{OL} \times I_{OL}) + \Sigma ((V_{DD} - V_{OH}) \times I_{OH}),$$

taking into account the actual V_{OL} / I_{OL} and V_{OH} / I_{OH} of the I/Os at low and high level in the application.

Table 63. Package thermal characteristics

| Symbol | Parameter | Value | Unit |
|------------|---|-------|------|
| Θ_J | Thermal resistance junction-ambient LQFP64 - 10 mm x 10 mm | 44 | °C/W |
| | Thermal resistance junction-ambient LQFP48 - 7 mm x 7 mm | 55 | |
| | Thermal resistance junction-ambient LQFP32 - 7 mm x 7 mm | 56 | |
| | Thermal resistance junction-ambient TSSOP20 - 6.5 mm x 6.4 mm | 76 | |

7.5.1 Reference document

JESD51-2 Integrated Circuits Thermal Test Method Environment Conditions - Natural Convection (Still Air). Available from www.jedec.org

8 Ordering information

| Example: | STM32 | F | 030 | C | 6 | T | 6 | x |
|---|-------|---|-----|---|---|---|---|---|
| Device family STM32 = Arm-based 32-bit microcontroller | | | | | | | | |
| Product type F = General-purpose | | | | | | | | |
| Sub-family 030 = STM32F030xx | | | | | | | | |
| Pin count F = 20 pins K = 32 pins C = 48 pins R = 64 pins | | | | | | | | |
| Code size 4 = 16 Kbyte of Flash memory 6 = 32 Kbyte of Flash memory 8 = 64 Kbyte of Flash memory C = 256 Kbyte of Flash memory | | | | | | | | |
| Package P = TSSOP T = LQFP | | | | | | | | |
| Temperature range 6 = -40 to 85 °C | | | | | | | | |
| Option xxx = programmed parts TR = tape and reel | | | | | | | | |

For a list of available options (memory, package, and so on) or for further information on any aspect of this device, please contact your nearest ST sales office.

9 Revision history

Table 64. Document revision history

| Date | Revision | Changes |
|-------------|----------|---|
| 04-Jul-2013 | 1 | Initial release. |
| 15-Jan-2015 | 2 | <p>Extended the applicability to STM32F030xC.</p> <p>Updated:</p> <ul style="list-style-type: none"> – <i>Features and Table Device summary,</i> – <i>Section: Description,</i> – <i>Table: STM32F030x4/6/8/C family device features and peripheral counts,</i> – <i>Figure: Block diagram,</i> – <i>Section: Memories,</i> – <i>Section: General-purpose inputs/outputs (GPIOs),</i> – <i>Section: Universal synchronous/asynchronous receiver transmitters (USART),</i> – <i>Table: STM32F030x4/6/8/C pin definitions,</i> – <i>Table: Alternate functions selected through GPIOA_AFR registers for port A,</i> – <i>Table: Alternate functions selected through GPIOB_AFR registers for port B</i> – <i>Table: Alternate functions selected through GPIOC_AFR registers for port C</i> – <i>Table: Alternate functions selected through GPIOD_AFR registers for port D,</i> – <i>Table: Alternate functions selected through GPIOF_AFR registers for port F,</i> – <i>Section: EMC characteristics,</i> – <i>Section: Part numbering.</i> <p>Added device marking examples:</p> <ul style="list-style-type: none"> – <i>Figure: LQFP64 marking example (package top view),</i> – <i>Figure: LQFP48 marking example (package top view),</i> – <i>Figure: LQFP32 marking example (package top view),</i> – <i>Figure: TSSOP20 marking example (package top view).</i> |
| 23-Jan-2017 | 3 | <p>Updated:</p> <ul style="list-style-type: none"> – Table 2: STM32F030x4/x6/x8/xC family device features and peripheral counts – Figure 1: Block diagram and figure footnotes – Figure 2: Clock tree of STM32F030x4/x6/x8 and figure footnotes – Section 3.11: Timers and watchdogs - number of timers, counts of complementary outputs in the table and the footnotes |

Table 64. Document revision history (continued)

| Date | Revision | Changes |
|-------------|----------|--|
| 23-Jan-2017 | 3 | <ul style="list-style-type: none"> – Section 3.11.2: General-purpose timers (TIM3, TIM14..17) - number of timers – Table 5: Timer feature comparison - footnotes added – Table 7: STM32F030x4/x6/x8/xC I²C implementation - FM+ and footnote – Figure 4 through Figure 7 - darker highlight on pins – Table 11: STM32F030x4/6/8/C pin definitions - corrections – Table 12: Alternate functions selected through GPIOA_AFR registers for port A - note order – Table 14 through Table 16 - corrected footnotes – Figure 10: STM32F030x4/x6/x8/xC memory map footnote – Figure 13: Power supply scheme – Table 24: Embedded internal reference voltage: added t_{START}, changed V_{REFINT} and t_{S_vrefint} values and notes – Table 25: Typical and maximum current consumption from V_{DD} supply at V_{DD} = 3.6 V footnotes – Table 26: Typical and maximum current consumption from the V_{DDA} supply values for STM32F030xC and footnotes – Table 34: LSE oscillator characteristics (f_{LSE} = 32.768 kHz) LSEDRV[1:0] values removed (see ref. manual) – Table 50: ADC characteristics - t_{STAB} defined relative to clock frequency; notes 3. and 4. added – Section 3.14: Universal synchronous/asynchronous receiver/transmitter (USART) - introduction and Table 8: STM32F0x0 USART implementation – Figure 10: STM32F030x4/x6/x8/xC memory map footnote – Table 43: ESD absolute maximum ratings - C4 or C3 class, depending on device variant; CDM values updated to match the referenced standard. (CDM standard was updated in the previous release, without duly modifying the related values.) – Table 53: TS characteristics: removed the min. value for t_{START} and parameter name change – Figure 19 and Figure 20 improved – Section 7: Package information name and structure change – Section 8: Ordering information renamed from Part numbering |

Table 64. Document revision history (continued)

| Date | Revision | Changes |
|-------------|----------|---|
| 15-Jan-2019 | 4 | <ul style="list-style-type: none"> – Figure 2 split in two figures – TIM15 complementary outputs count in Table 5 – Periodic wakeup unit feature in Section 3.12: Real-time clock (RTC) – Driver Enable for USART 6 in Table 8 – Number of supported auto baud rate detection modes corrected in Table 8 – AF4 and AF5 for PB10 in Table 13 – Notes in Table 14, Table 15, and Table 16 – Extension of Table 16 – V_{FESD} class in Table 41 |
| 19-Nov-2021 | 5 | <ul style="list-style-type: none"> – Table 41: EMS characteristics updated as all products concerned by this document follow level/class 2B. |

STM32F030x4/x6/x8/xC

IMPORTANT NOTICE – PLEASE READ CAREFULLY

STMicroelectronics NV and its subsidiaries (“ST”) reserve the right to make changes, corrections, enhancements, modifications, and improvements to ST products and/or to this document at any time without notice. Purchasers should obtain the latest relevant information on ST products before placing orders. ST products are sold pursuant to ST’s terms and conditions of sale in place at the time of order acknowledgement.

Purchasers are solely responsible for the choice, selection, and use of ST products and ST assumes no liability for application assistance or the design of Purchasers’ products.

No license, express or implied, to any intellectual property right is granted by ST herein.

Resale of ST products with provisions different from the information set forth herein shall void any warranty granted by ST for such product.

ST and the ST logo are trademarks of ST. For additional information about ST trademarks, please refer to www.st.com/trademarks. All other product or service names are the property of their respective owners.

Information in this document supersedes and replaces information previously supplied in any prior versions of this document.

© 2021 STMicroelectronics – All rights reserved



OUR CERTIFICATE

DiGi provide top-quality products and perfect service for customer worldwide through standardization, technological innovation and continuous improvement. DiGi through third-party certification, we stricly control the quality of products and services. Welcome your RFQ to

Email: Info@DiGi-Electronics.com



Tel: +00 852-30501935

RFQ Email: Info@DiGi-Electronics.com

DiGi is a global authorized distributor of electronic components.