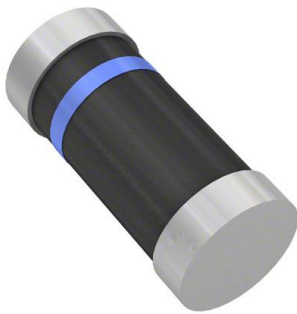


TMMDB3 Datasheet

www.digi-electronics.com



<https://www.DiGi-Electronics.com>

| | |
|------------------------------|---|
| DiGi Electronics Part Number | TMMDB3-DG |
| Manufacturer | STMicroelectronics |
| Manufacturer Product Number | TMMDB3 |
| Description | DIAC 28-36V 2A MINIMELF |
| Detailed Description | Diac/Sidac Thyristor 28 ~ 36V Mini MELF |

This model TMMDB3 is available at DiGi Electronics.

DiGi Electronics offers a global database of semiconductor and electronic component datasheets.

We welcome your inquiries regarding pricing, lead time, or other product-related questions.

 [Request a Quote](#)

 [Datasheet Search](#)



Tel: +00 852-30501935

RFQ Email: Info@DiGi-Electronics.com

DiGi is a global authorized distributor of electronic components.

Purchase and inquiry

Manufacturer Product Number:

TMMDB3

Series:

-

Voltage - Breakover:

28 ~ 36V

Current - Peak Output:

2 A

Package / Case:

DO-213AA

Base Product Number:

TMMDB3

Manufacturer:

STMicroelectronics

Product Status:

Active

Current - Breakover:

50 μ A

Operating Temperature:

-40°C ~ 125°C (TJ)

Supplier Device Package:

Mini MELF

Environmental & Export classification

RoHS Status:

ROHS3 Compliant

REACH Status:

REACH Unaffected

HTSUS:

8541.30.0080

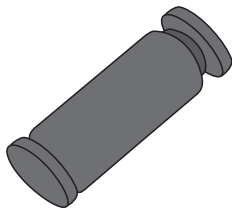
Moisture Sensitivity Level (MSL):

1 (Unlimited)

ECCN:

EAR99

Diac in SMD MINIMELF package



MINIMELF

Features

- V_{BO} : 32 V
- Breakover voltage range : 28 V to 36 V
- ECOPACK compliant

Applications

- Triggering device for Triac or SCR based motor / light dimmer
- 32 V trigger device for oscillator circuit
- Start up triggering in lighting ballast for CFL, TL or LED lamps

Description

Functioning as a trigger diode with a fixed voltage reference, the TMMDB3 can be used in conjunction with Triacs for simplified gate control circuits or as a starting element in fluorescent lamp ballasts.

Product status link

[TMMDB3](#)

Product summary

| Part number | V_{BO} |
|-------------|-----------|
| TMMDB3 | 28 - 36 V |

1 Characteristics

Table 1. Absolute maximum ratings (limiting values), $T_j = 25\text{ °C}$ unless otherwise specified

| Symbol | Parameter | Value | Unit |
|-----------|--|-------------|--------------------|
| I_{TRM} | Repetitive peak on-state current, $t_p = 20\ \mu\text{s}$, $F = 120\ \text{Hz}$ | 2 | A |
| T_{stg} | Storage junction temperature range | -40 to +125 | $^{\circ}\text{C}$ |
| T_j | Operating junction temperature range | -40 to +125 | $^{\circ}\text{C}$ |

Table 2. Electrical characteristics ($T_j = 25\text{ °C}$ unless otherwise specified)

| Symbol | Parameter | Test conditions | Value | Unit | |
|-----------------------|--|--|-------|------|---------------|
| V_{BO} | Breakover voltage ⁽¹⁾ | $C = 10\ \text{nF}^{(2)}$ | Min. | 28 | V |
| | | | Typ. | 32 | |
| | | | Max. | 36 | |
| $ V_{BO1} - V_{BO2} $ | Breakover voltage symmetry | $C = 10\ \text{nF}^{(2)}$ | Max. | 3 | V |
| ΔV | Dynamic breakover voltage ⁽¹⁾ | V_{BO} and V_F at 10 mA | Min. | 5 | V |
| V_O | Output voltage ⁽¹⁾ | See Figure 2. Test circuit, ($R = 20\ \Omega$) | Min. | 5 | V |
| I_{BO} | Breakover current ⁽¹⁾ | $C = 10\ \text{nF}^{(2)}$ | Max. | 50 | μA |
| t_r | Rise time ⁽¹⁾ | See Figure 3. Rise time measurement | Max. | 2 | μs |
| I_R | Leakage current ⁽¹⁾ | $V_R = 0.5 \times V_{BO}\ \text{max}$ | Max. | 10 | μA |
| I_P | Peak current ⁽¹⁾ | See Figure 2. Test circuit | Min. | 0.30 | A |

1. Applicable to both forward and reverse directions.
2. Connected in parallel to the device

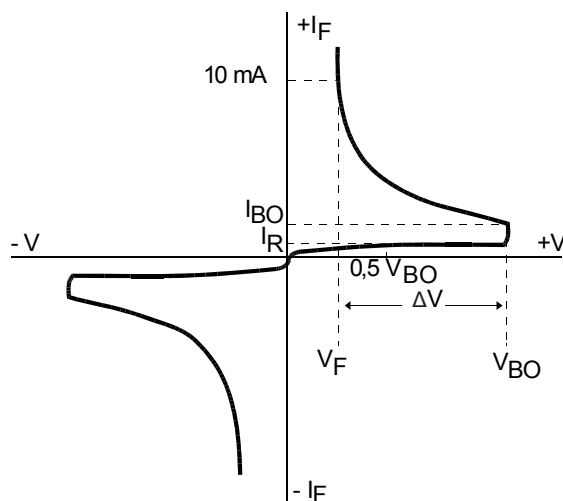
Figure 1. Voltage - current characteristic curve.


Figure 2. Test circuit

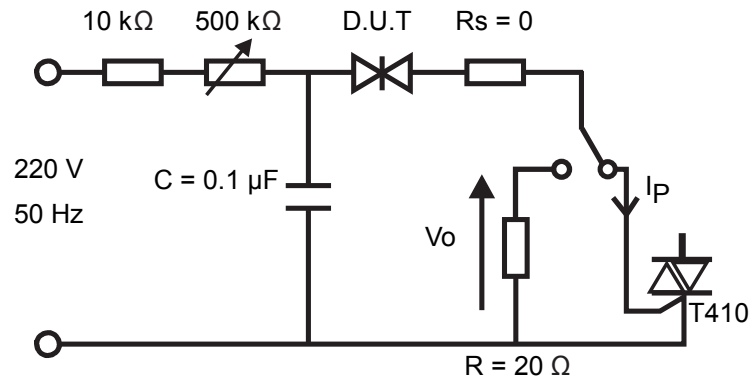
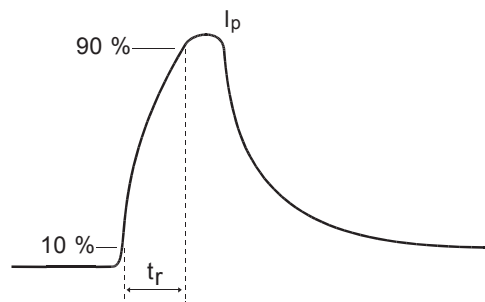


Figure 3. Rise time measurement





1.1 Characteristics curves

Figure 4. Relative variation of VBO versus junction temperature (typical values)

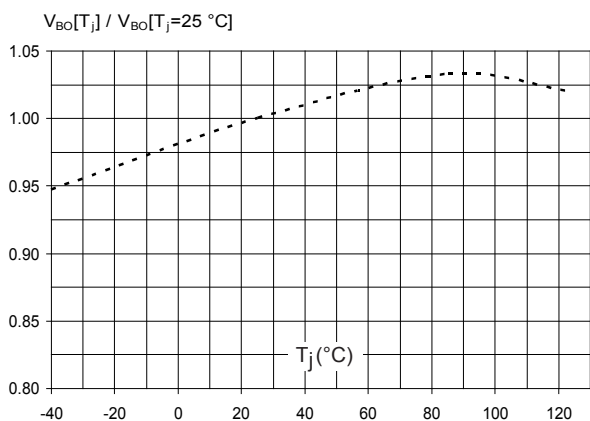


Figure 5. Peak on-state current versus Triac gate current pulse duration t_p

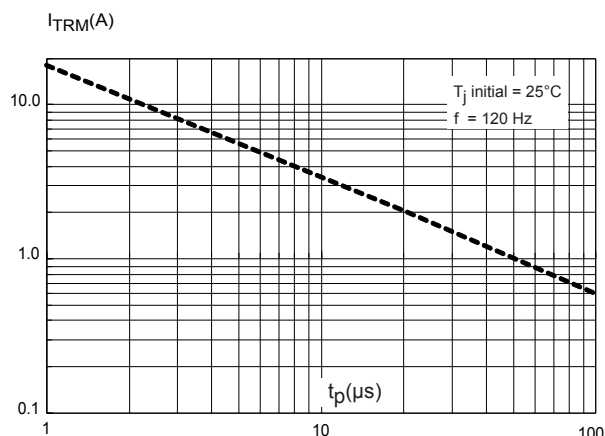
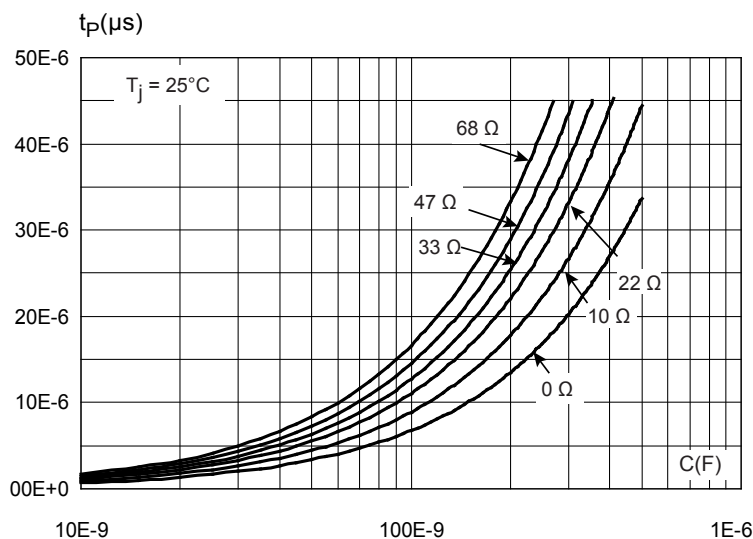


Figure 6. Triac gate current pulse duration t_p (to have $I_p > 50 \text{ mA}$) versus R_s and C values (typical values)



Note: according to Figure 2. Test circuit.

2 Package information

In order to meet environmental requirements, ST offers these devices in different grades of **ECOPACK** packages, depending on their level of environmental compliance. ECOPACK specifications, grade definitions and product status are available at: www.st.com. ECOPACK is an ST trademark.

2.1 MINIMELF package information

Figure 7. MINIMELF package outline

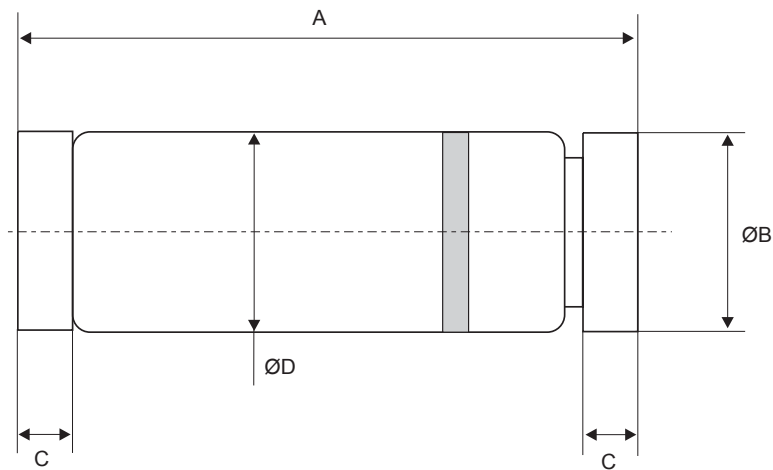
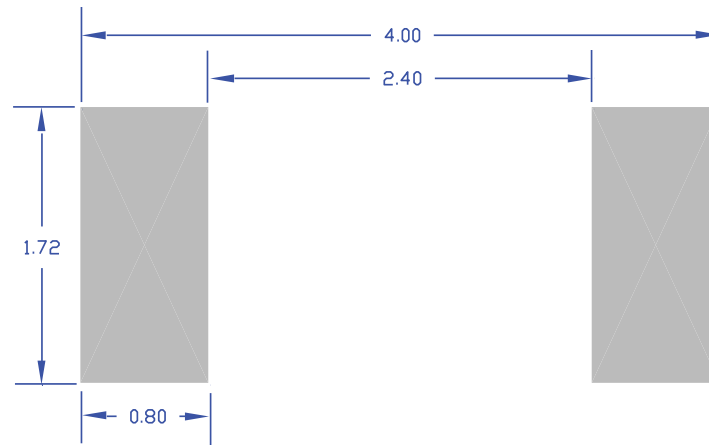


Table 3. MINIMELF package mechanical data

| Dim. | mm | | | | | |
|------|------|------|------|-------|-------|-------|
| | Min. | Typ. | Max. | Min. | Typ. | Max. |
| A | 3.30 | 3.50 | 3.70 | 0.130 | 0.138 | 0.146 |
| B | 1.59 | 1.65 | 1.70 | 0.063 | 0.065 | 0.067 |
| C | 0.40 | 0.50 | 0.60 | 0.016 | 0.020 | 0.024 |
| D | | 1.50 | | | 0.059 | |

Figure 8. MINIMELF recommended footprint (dimensions are in mm)

3 Ordering information

Figure 9. Ordering information scheme

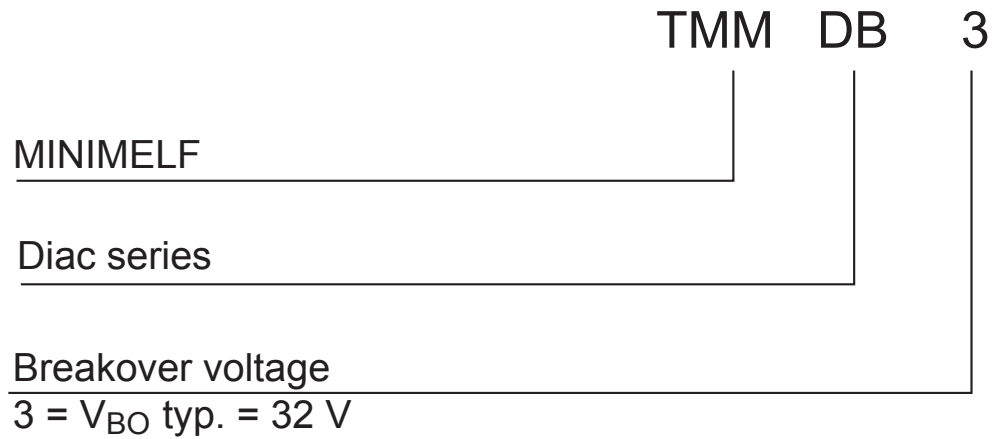


Table 4. Ordering information

| Order code | Marking | Package | Weight | Base qty. | Delivery mode |
|------------|---------|----------|---------|-----------|---------------|
| TMMDB3 | NA | MINIMELF | 0.049 g | 2500 | Tape and reel |



Revision history

Table 5. Document revision history

| Date | Version | Changes |
|-------------|---------|--|
| 29-Jan-2009 | 3 | First release. |
| 07-May-2019 | 4 | Updated Table 3 and Figure 8 . Minor text change to improve readability. |

**IMPORTANT NOTICE – PLEASE READ CAREFULLY**

STMicroelectronics NV and its subsidiaries (“ST”) reserve the right to make changes, corrections, enhancements, modifications, and improvements to ST products and/or to this document at any time without notice. Purchasers should obtain the latest relevant information on ST products before placing orders. ST products are sold pursuant to ST’s terms and conditions of sale in place at the time of order acknowledgement.

Purchasers are solely responsible for the choice, selection, and use of ST products and ST assumes no liability for application assistance or the design of Purchasers’ products.

No license, express or implied, to any intellectual property right is granted by ST herein.

Resale of ST products with provisions different from the information set forth herein shall void any warranty granted by ST for such product.

ST and the ST logo are trademarks of ST. For additional information about ST trademarks, please refer to www.st.com/trademarks. All other product or service names are the property of their respective owners.

Information in this document supersedes and replaces information previously supplied in any prior versions of this document.

© 2019 STMicroelectronics – All rights reserved

OUR CERTIFICATE

DiGi provide top-quality products and perfect service for customer worldwide through standardization, technological innovation and continuous improvement. DiGi through third-party certification, we stricly control the quality of products and services. Welcome your RFQ to

Email: Info@DiGi-Electronics.com



Tel: +00 852-30501935

RFQ Email: Info@DiGi-Electronics.com

DiGi is a global authorized distributor of electronic components.