

# VB326SP Datasheet



<https://www.DiGi-Electronics.com>

DiGi Electronics Part Number	VB326SP-DG
Manufacturer	<a href="#">STMicroelectronics</a>
Manufacturer Product Number	VB326SP
Description	IC PWR DRVR BIPOLAR 1:1 PWR5010
Detailed Description	Power Switch/Driver 1:1 Bipolar 11A 10-PowerSO

This model VB326SP is available at DiGi Electronics.

DiGi Electronics offers a global database of semiconductor and electronic component datasheets.

We welcome your inquiries regarding pricing, lead time, or other product-related questions.

 [Request a Quote](#)

 [Datasheet Search](#)



Tel: +00 852-30501935

RFQ Email: [Info@DiGi-Electronics.com](mailto:Info@DiGi-Electronics.com)

DiGi is a global authorized distributor of electronic components.

## Purchase and inquiry

Manufacturer Product Number:

VB326SP

Series:

VIPOWER™

Switch Type:

General Purpose

Ratio - Input:Output:

1:1

Output Type:

Bipolar

Voltage - Load:

30V (Max)

Current - Output (Max):

11A

Input Type:

Non-Inverting

Fault Protection:

Over Temperature

Mounting Type:

Surface Mount

Package / Case:

PowerSO-10 Exposed Bottom Pad

Manufacturer:

STMicroelectronics

Product Status:

Obsolete

Number of Outputs:

1

Output Configuration:

Low Side

Interface:

Parallel

Voltage - Supply (Vcc/Vdd):

4.5V ~ 5.5V

Rds On (Typ):

-

Features:

Status Flag

Operating Temperature:

-40°C ~ 150°C (TJ)

Supplier Device Package:

10-PowerSO

Base Product Number:

VB326

## Environmental & Export classification

RoHS Status:

ROHS3 Compliant

REACH Status:

REACH Unaffected

HTSUS:

8542.39.0001

Moisture Sensitivity Level (MSL):

1 (Unlimited)

ECCN:

EAR99



## VB326SP

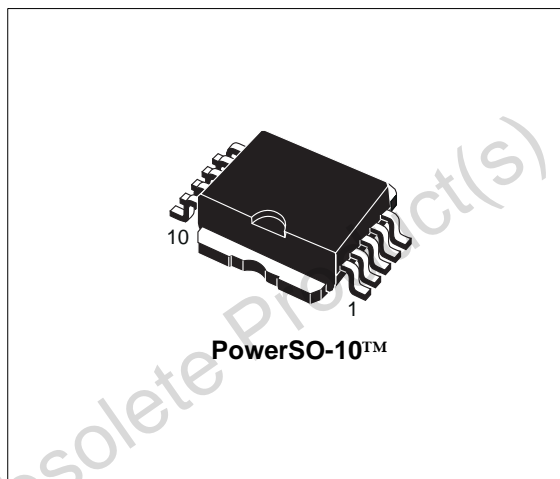
### HIGH VOLTAGE IGNITION COIL DRIVER POWER I.C.

TYPE	$V_{cl}$	$I_{cl}$	$I_{CC}$
VB326SP	360V	10A	150mA

- PRIMARY COIL VOLTAGE INTERNALLY SET
- COIL CURRENT LIMIT INTERNALLY SET
- LOGIC LEVEL COMPATIBLE INPUT
- DRIVING CURRENT QUASI PROPORTIONAL TO COLLECTOR CURRENT
- SINGLE FLAG-ON COIL CURRENT
- LOW VOLTAGE CLAMP THERMAL SHUTDOWN

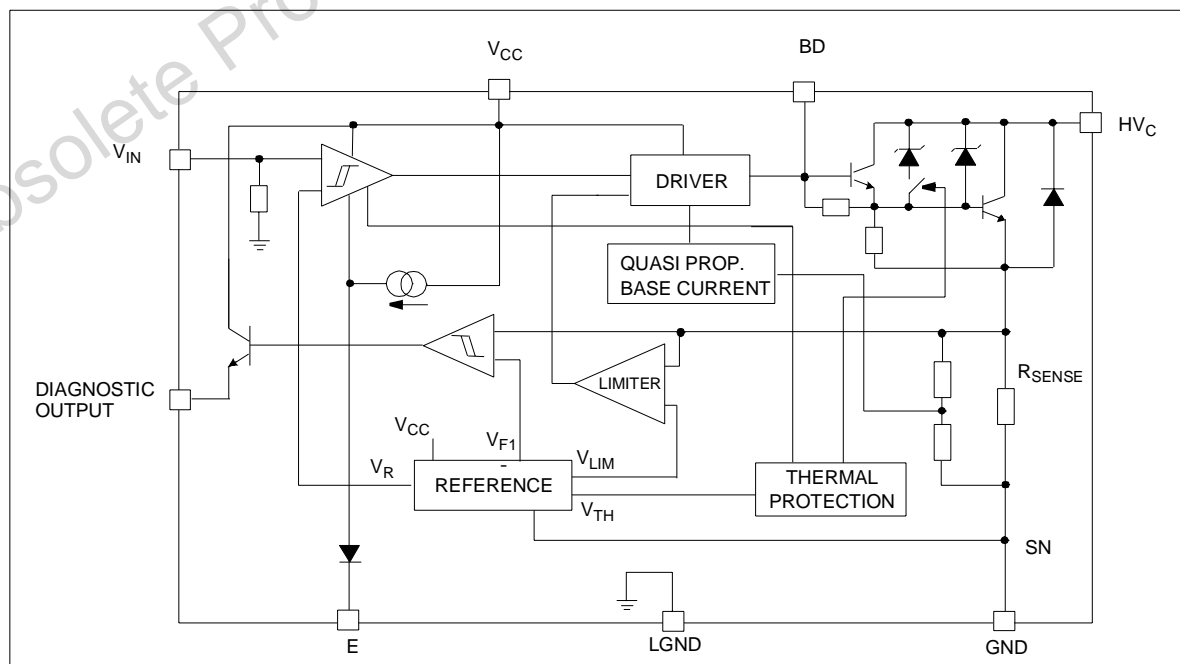
#### DESCRIPTION

The VB326SP is a high voltage power integrated circuit made using the STMicroelectronics VIPower™ M1-3 technology, with vertical current flow power darlington and logic level compatible driving circuit. The enable pin allows to externally block the switch when the input is on. Built-in protection circuit for coil current limiting and collector voltage clamping allows the device to be used as smart, high voltage, high current interface



in advanced electronic ignition system. If the input signal from the micro happens to remain high, the device protects itself against over-heating by forcing collector current to smooth decrease (low voltage clamp feature) and no undesired spark occurs (see figure 4).

#### BLOCK DIAGRAM



## VB326SP

## ABSOLUTE MAXIMUM RATING

Symbol	Parameter	Value	Unit
$HV_C$	Collector voltage (Internally limited)	-0.3 to $V_{clamp}$	V
$I_C$	Collector current (Internally limited)	10	A
$I_{C(gnd)}$	DC current on Emitter Power	$\pm 10.5$	A
$V_{CC}$	Driving stage supply voltage	-0.3 to 7	V
$I_s$	Driving circuitry supply current	$\pm 200$	mA
$I_{s(gnd)}$	DC current on Ground pin	$\pm 1$	A
$V_{IN}$	Input voltage	-0.3 to $V_{CC} + 0.3$	V
$I_{IN}$	Maximum Input Current	100	mA
$f_{IN}$	Logic Input Frequency in Operative Mode	DC to 150	Hz
$V_{OUT(flag)}$	Output Voltage Primary Threshold Current Level	-0.3 to $V_{CC} + 0.3$	V
$I_{OUT(flag)}$	Flag Output Current	100	mA
$P_{max}$	Power Dissipation ( $T_c=25^\circ\text{C}$ )	125	W
$E_{s/b}$	Self Clamped Energy during Output Power Clamping (See figure 2)	275	mJ
$V_{ESD}$	ESD voltage ( $HV_C$ pin)	$\pm 4$	KV
$V_{ESD}$	ESD voltage (Enable pin)	+ 1.5 ; -2	KV
$V_{ESD}$	ESD voltage (Other pins)	$\pm 2$	KV
$I_{BD}$	Input Darlington Base Current	150	mA
$V_{BD}$	Input Darlington Base Voltage	Internally limited	V
$T_j$	Operating Junction Temperature	-40 to 150	$^\circ\text{C}$
$T_{stg}$	Storage temperature Range	-55 to 150	$^\circ\text{C}$
$V_E$	Maximum Enable Voltage	-0.3 to 5.5	V
$I_E$	Maximum Enable Current	$\pm 150$	$\mu\text{A}$

## THERMAL DATA

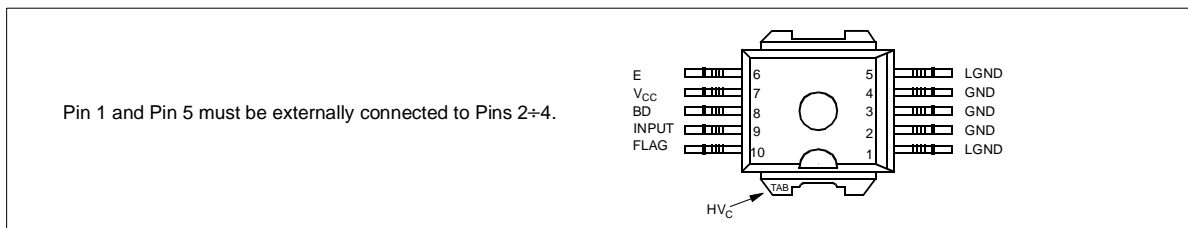
Symbol	Parameter	Value	Unit
$R_{thj-case}$	Thermal resistance junction-case (MAX)	1	$^\circ\text{C}/\text{W}$
$R_{thj-amb}$	Thermal resistance junction-ambient (MAX)	51	$^\circ\text{C}/\text{W}$

## PIN FUNCTION

No	Name	Function
1 - 5	LGND	Signal Ground
2 - 3 - 4	GND	Emitter Power Ground
6	E	Enable (*)
7	$V_{CC}$	Logic Supply Voltage
8	BD	Base Darlington
9	INPUT	Logic input channel (Internal Pull Down)
10	FLAG	Diagnostic Output Signal (Open Emitter)
TAB	$HV_C$	Primary Coil Output Driver (Open Collector)

(\*) When grounded the Input is Enabled

## CONNECTION DIAGRAM (TOP VIEW)



**ELECTRICAL CHARACTERISTICS** ( $5.3V < V_{bat} < 24V$ ;  $V_{CC}=5V \pm 10\%$ ;  $-40^{\circ}C < T_j < 125^{\circ}C$ ;  $R_{coil}=580m\Omega$ ;  $L_{coil}=3.75mH$  unless otherwise specified; See note 1)

Symbol	Parameter	Test Conditions	Min	Typ	Max	Unit
$V_{cl}$	High Voltage Clamp	$I_{coil}=6.5A$	320	360	420	V
$V_{lcl}$	Low Voltage Clamp	$I_{coil}=6.5A$ ; $T_j=T_{sd}$	30	40	50	V
$V_{ce(sat)}$	Power Stage Saturation Voltage	$I_C=6A$ ; $V_{IN}=4V$		1.5	2	V
$I_{CC(stdby)}$	Stand-by Supply Current	IN=Off			11	mA
$I_{CC}$	DC Logic Current	$V_b=16V$ ; $I_C=6.5A$ ; $f=100Hz$ ; Load = Coil; $V_{CC}=5.5V$			40	mA
$I_{CC(peak)}$	Peak DC Logic Current during On Phase	$I_C=6.5A$		100	150	mA
$V_{CC}$	DC Logic Voltage		4.5		5.5	V
$I_{cl}$	Coil Current Limit	$-40^{\circ}C < T_j < 125^{\circ}C$ (See note 2)	9		11	A
$I_{c(off)}$	Output Off State Current	IN=Off; $V_{HVC}=24V$ ; $V_{CC}=5V$ ; $T_j=25^{\circ}C$			5	mA
$T_{Ic\_ctr}$	Thermal Temperature Output Current Control	OUT=On	150		(*)	$^{\circ}C$
$V_{INH}$	High Level Input Voltage	$V_{CC}=4.5V$	4		$V_{CC}$	V
$V_{INL}$	Low Level Input Voltage	$V_{CC}=5.5V$	-0.3		0.8	V
$V_{IN(hyst)}$	Input Threshold Hysteresis		0.4			V
$I_{INH}$	High Level Input Current	$V_{IN}=4V$			100	$\mu A$
$I_{INL}$	Low Level Input Current	$V_{IN}=0.8V$	0		30	$\mu A$
$I_{INpd}$	Input Active Pull Down	$V_{IN}=4V$	10		100	$\mu A$
$V_{diagH}$	High Level Flag Output Voltage	$R_{EXT}=22K\Omega$ ; $C_{EXT}=1nF$ (See note 3)	$V_{CC} - 1$		$V_{CC}$	V
$V_{diagL}$	Low Level Flag Output Voltage	$R_{EXT}=22K\Omega$ ; $C_{EXT}=1nF$ (See note 3)			0.5	V
$I_{diagTH}$	Coil Current Level Threshold	$T_j=25^{\circ}C$	6.15	6.5	6.85	A
$I_{diagTD}$	Coil Current Level Threshold Drift	(See figure 1)				
$I_{diag}$	High Level Flag Output Current	$I_C > I_{diagTH}$ ; $V_{diag}=3V$	0.5			mA
$I_{diag(leak)}$	Leakage Current on Flag Output	$V_{IN}=Low$ ; $V_{CC}=5.5V$			10	$\mu A$
$V_F$	Antiparallel Diode Forward Voltage	$I_C = -1A$			2	V
$E_{s/b}$	Single Pulse Avalanche Energy	$L=6mH$ ; $I_C=8A$ (See figure 2)		180		mJ
$t_{ON}$	Turn-on time	$R_c=0.5\Omega$ ; $L_c=3.75mH$ ; $T_j=25^{\circ}C$ ; $V_{bat}=13V$ (See figure 6)		1	5	$\mu s$
$t_{OFF}$	Turn-off time	$R_c=0.5\Omega$ ; $L_c=3.75mH$ ; $I_C=6.5A$ ; $T_j=25^{\circ}C$ ; $V_{bat}=13V$ (See figure 6)		15	25	$\mu s$
$T_{sd}$	Thermal shut-down intervention		150			$^{\circ}C$
$V_{EH}$	High Level Enable Voltage	$V_{IN}=V_{INH}$ ; OUT=Off (See Note 4)	2			V
$V_{EL}$	Low Level Enable Voltage	$V_{OUT}$ free to follow $V_{IN}$			0.40	V

Note 1: parametric degradation are allowed with  $5.3 < V_b < 10V$  and  $V_b > 24V$ .

Note 2: the primary coil current value  $I_{cl}$  must be measured 1ms after desaturation of the power stage.

Note 3: no internal Pull-down.

Note 4: if ENABLE pin is floating OUT=Off for every input status.

(\*) Internally Limited

## VB326SP

### ELECTRICAL CHARACTERISTICS (continued)

Symbol	Parameter	Test Conditions	Min	Typ	Max	Unit
$I_{EH}$	High Level Sinking Enable Current	$V_E=5V$			500	$\mu A$
$I_{EL}$	Low Level Sinking Enable Current	$V_E<0.4V$	- 200			$\mu A$
$V_{BD(off)}$	Base Darlington Voltage Off	$V_E=V_{EH}$			1	V
$V_{BD(on)}$	Base Darlington Voltage On	$V_{IN}=V_{INH}; V_E=V_{EL}; I_C=6.5A$	1.8			V

#### PRINCIPLE OF OPERATION

The VB326SP is mainly intended as a high voltage power switch device driven by a logic level input and interfaces directly to a high energy electronic ignition coil.

The input  $V_{IN}$  of the VB326SP is fed from a low power signal generated by an external controller that determines both dwell time and ignition point. During  $V_{in}$  high ( $\geq 4V$ ) the VB326SP increases current in the coil to the desired, internally set current level.

After reaching this level, the coil current remains constant until the ignition point, that corresponds to the transition of  $V_{in}$  from high to low (typ. 1.9V threshold).

During the coil current switch-off, the primary voltage  $HV_C$  is clamped at an internally set value

$V_{cl}$ , typically 380V. The transition from saturation to desaturation, coil current limiting phase, must have the ability to accommodate an overvoltage.

A maximum overshoot of 20V is allowed.

#### FEEDBACK

When the collector current exceeds 6.5A, the feedback signal is turned high and it remains so, until the input voltage is turned-off.

#### OVERVOLTAGE

The VB326SP can withstand the following transients of the battery line:

-100V/2msec ( $R_i=10\ \Omega$ )

+100V/0.2msec ( $R_i=10\ \Omega$ )

+50V/400msec ( $R_i=4.2\ \Omega$ , with  $V_{IN}=3V$ )

Figure 1: Flag current Vs. temperature

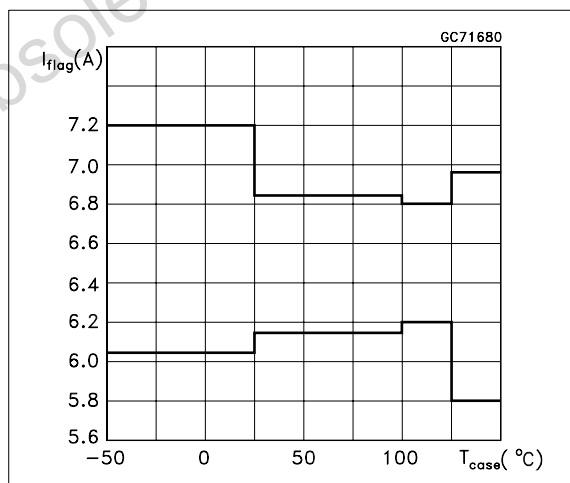
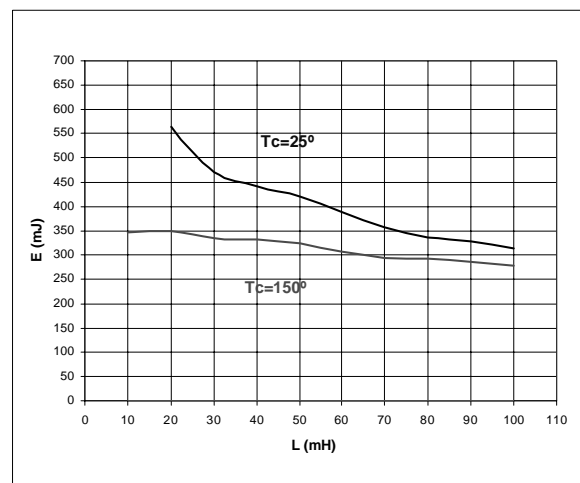
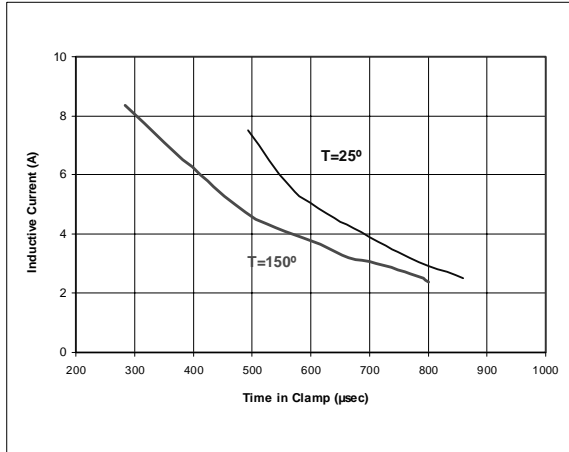


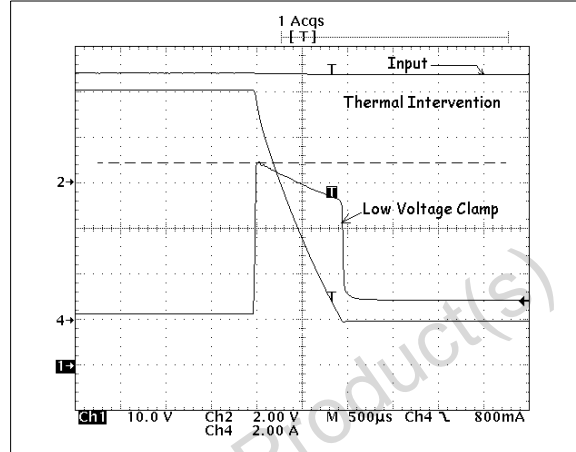
Figure 2: Single pulse avalanche energy capability



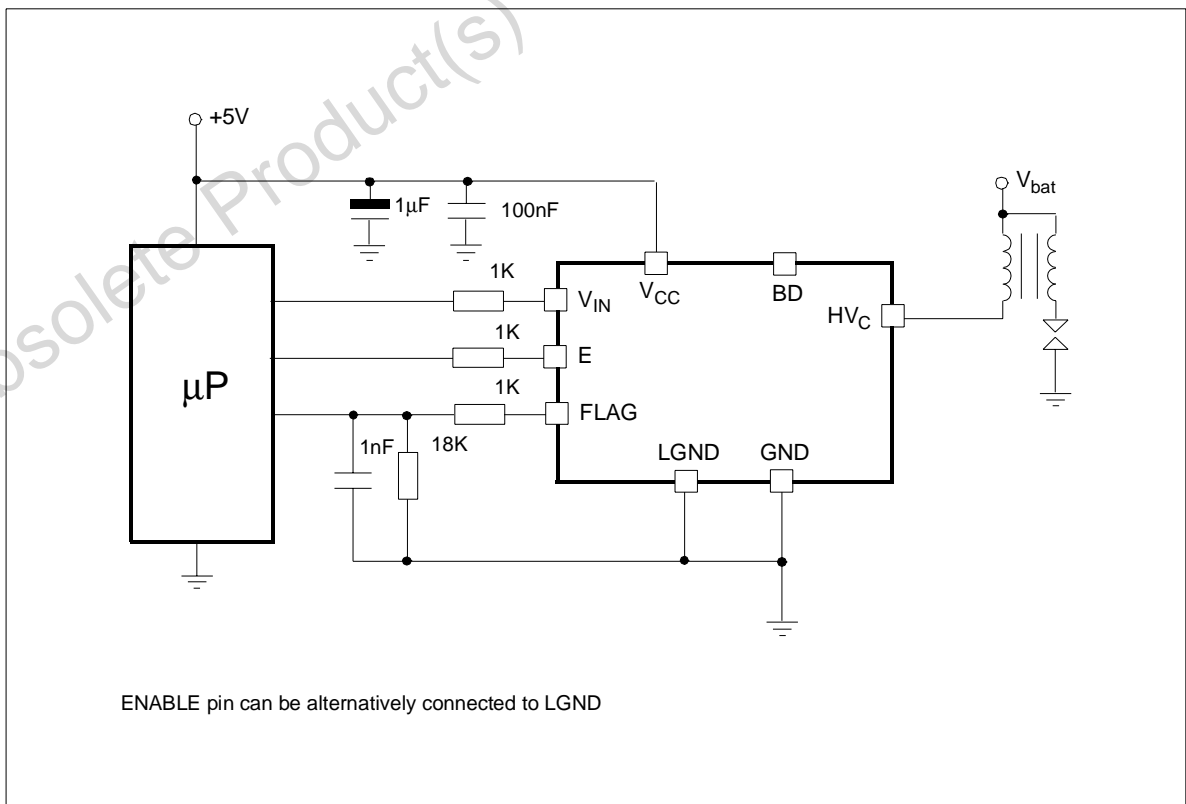
**Figure 3:** Self Clamped Inductive Switching Current Vs. Time



**Figure 4:** Low voltage clamp feature

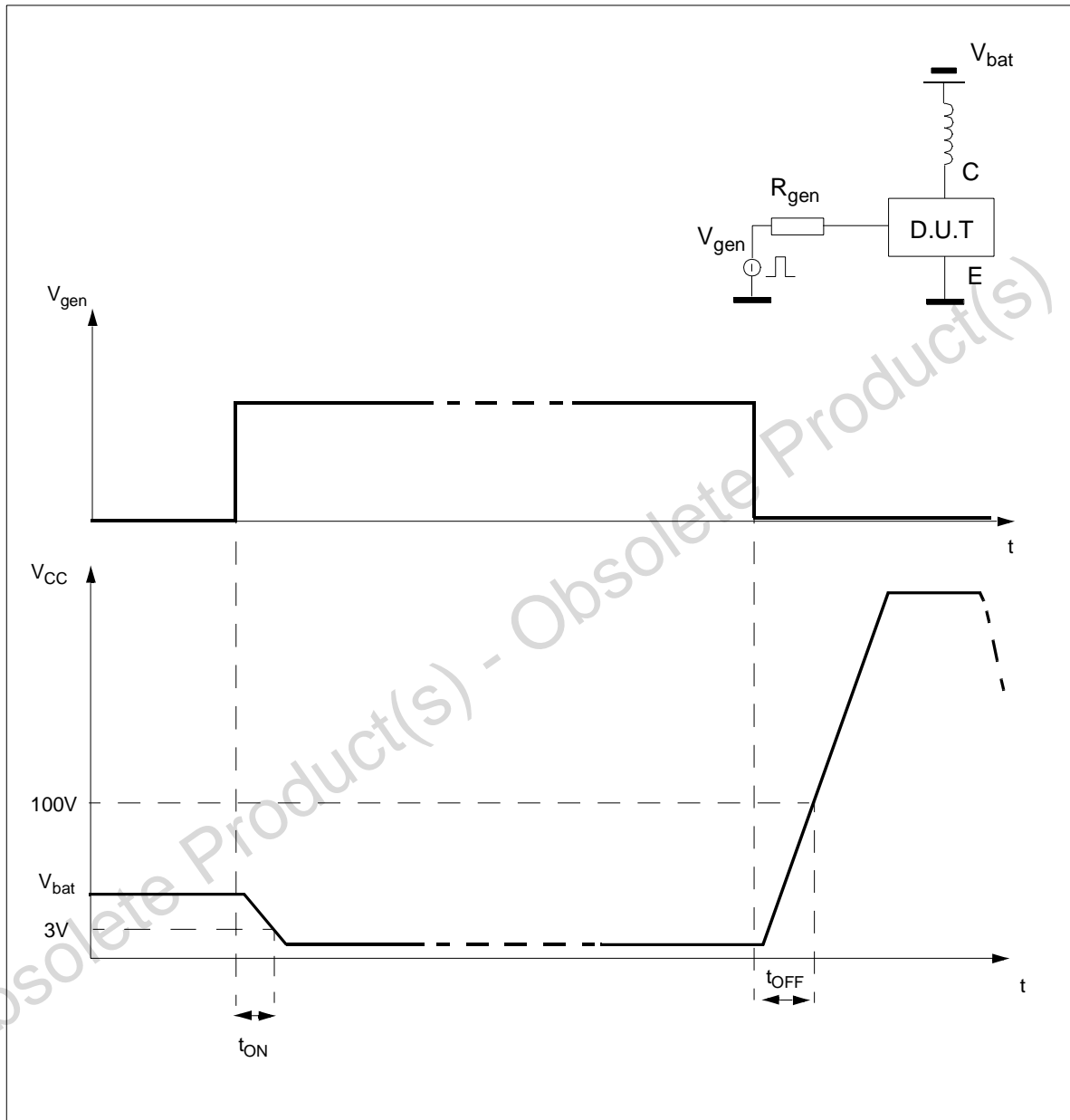


**Figure 5:** Typical application diagram



**VB326SP**

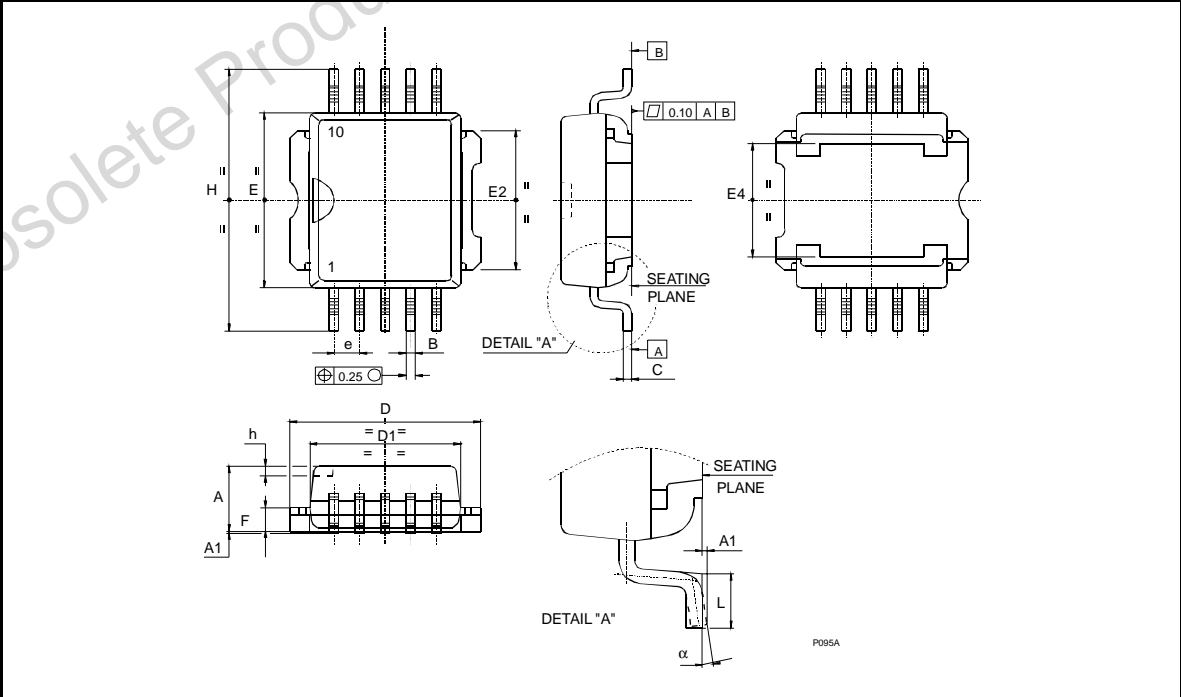
**Figure 6:** Switching time for inductive load



**PowerSO-10™ MECHANICAL DATA**

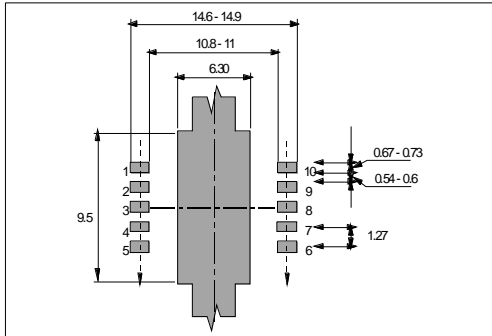
DIM.	mm.			inch		
	MIN.	TYP.	MAX.	MIN.	TYP.	MAX.
A	3.35		3.65	0.132		0.144
A (*)	3.4		3.6	0.134		0.142
A1	0.00		0.10	0.000		0.004
B	0.40		0.60	0.016		0.024
B (*)	0.37		0.53	0.014		0.021
C	0.35		0.55	0.013		0.022
C (*)	0.23		0.32	0.009		0.0126
D	9.40		9.60	0.370		0.378
D1	7.40		7.60	0.291		0.300
E	9.30		9.50	0.366		0.374
E2	7.20		7.60	0.283		300
E2 (*)	7.30		7.50	0.287		0.295
E4	5.90		6.10	0.232		0.240
E4 (*)	5.90		6.30	0.232		0.248
e		1.27			0.050	
F	1.25		1.35	0.049		0.053
F (*)	1.20		1.40	0.047		0.055
H	13.80		14.40	0.543		0.567
H (*)	13.85		14.35	0.545		0.565
h		0.50			0.002	
L	1.20		1.80	0.047		0.070
L (*)	0.80		1.10	0.031		0.043
α	0°		8°	0°		8°
α (*)	2°		8°	2°		8°

(\*) Muar only POA P013P



**VB326SP**

**PowerSO-10™ SUGGESTED PAD LAYOUT**



**TUBE SHIPMENT (no suffix)**

**CASABLANCA**

**MUAR**

All dimensions are in mm.

	Base Q.ty	Bulk Q.ty	Tube length (± 0.5)	A	B	C (± 0.1)
<b>Casablanca</b>	50	1000	532	10.4	16.4	0.8
<b>Muar</b>	50	1000	532	4.9	17.2	0.8

**TAPE AND REEL SHIPMENT (suffix "13TR")**

**REEL DIMENSIONS**

Base Q.ty	600
Bulk Q.ty	600
A (max)	330
B (min)	1.5
C (± 0.2)	13
F	20.2
G (+ 2 / - 0)	24.4
N (min)	60
T (max)	30.4

All dimensions are in mm.

**TAPE DIMENSIONS**  
According to Electronic Industries Association (EIA) Standard 481 rev. A, Feb 1986

Tape width	W	24
Tape Hole Spacing	P0 (± 0.1)	4
Component Spacing	P	24
Hole Diameter	D (± 0.1/-0)	1.5
Hole Diameter	D1 (min)	1.5
Hole Position	F (± 0.05)	11.5
Compartment Depth	K (max)	6.5
Hole Spacing	P1 (± 0.1)	2

All dimensions are in mm.

**Please Read Carefully:**

Information in this document is provided solely in connection with ST products. STMicroelectronics NV and its subsidiaries ("ST") reserve the right to make changes, corrections, modifications or improvements, to this document, and the products and services described herein at any time, without notice.

All ST products are sold pursuant to ST's terms and conditions of sale.

Purchasers are solely responsible for the choice, selection and use of the ST products and services described herein, and ST assumes no liability whatsoever relating to the choice, selection or use of the ST products and services described herein.

No license, express or implied, by estoppel or otherwise, to any intellectual property rights is granted under this document. If any part of this document refers to any third party products or services it shall not be deemed a license grant by ST for the use of such third party products or services, or any intellectual property contained therein or considered as a warranty covering the use in any manner whatsoever of such third party products or services or any intellectual property contained therein.

**UNLESS OTHERWISE SET FORTH IN ST'S TERMS AND CONDITIONS OF SALE ST DISCLAIMS ANY EXPRESS OR IMPLIED WARRANTY WITH RESPECT TO THE USE AND/OR SALE OF ST PRODUCTS INCLUDING WITHOUT LIMITATION IMPLIED WARRANTIES OF MERCHANTABILITY, FITNESS FOR A PARTICULAR PURPOSE (AND THEIR EQUIVALENTS UNDER THE LAWS OF ANY JURISDICTION), OR INFRINGEMENT OF ANY PATENT, COPYRIGHT OR OTHER INTELLECTUAL PROPERTY RIGHT.**

**ST PRODUCTS ARE NOT DESIGNED OR AUTHORIZED FOR USE IN: (A) SAFETY CRITICAL APPLICATIONS SUCH AS LIFE SUPPORTING, ACTIVE IMPLANTED DEVICES OR SYSTEMS WITH PRODUCT FUNCTIONAL SAFETY REQUIREMENTS; (B) AERONAUTIC APPLICATIONS; (C) AUTOMOTIVE APPLICATIONS OR ENVIRONMENTS, AND/OR (D) AEROSPACE APPLICATIONS OR ENVIRONMENTS. WHERE ST PRODUCTS ARE NOT DESIGNED FOR SUCH USE, THE PURCHASER SHALL USE PRODUCTS AT PURCHASER'S SOLE RISK, EVEN IF ST HAS BEEN INFORMED IN WRITING OF SUCH USAGE, UNLESS A PRODUCT IS EXPRESSLY DESIGNATED BY ST AS BEING INTENDED FOR "AUTOMOTIVE, AUTOMOTIVE SAFETY OR MEDICAL" INDUSTRY DOMAINS ACCORDING TO ST PRODUCT DESIGN SPECIFICATIONS. PRODUCTS FORMALLY ESCC, QML OR JAN QUALIFIED ARE DEEMED SUITABLE FOR USE IN AEROSPACE BY THE CORRESPONDING GOVERNMENTAL AGENCY.**

Resale of ST products with provisions different from the statements and/or technical features set forth in this document shall immediately void any warranty granted by ST for the ST product or service described herein and shall not create or extend in any manner whatsoever, any liability of ST.

ST and the ST logo are trademarks or registered trademarks of ST in various countries.

Information in this document supersedes and replaces all information previously supplied.

The ST logo is a registered trademark of STMicroelectronics. All other names are the property of their respective owners.

© 2013 STMicroelectronics - All rights reserved

STMicroelectronics group of companies

Australia - Belgium - Brazil - Canada - China - Czech Republic - Finland - France - Germany - Hong Kong - India - Israel - Italy - Japan - Malaysia - Malta - Morocco - Philippines - Singapore - Spain - Sweden - Switzerland - United Kingdom - United States of America

[www.st.com](http://www.st.com)



## OUR CERTIFICATE

DiGi provide top-quality products and perfect service for customer worldwide through standardization, technological innovation and continuous improvement. DiGi through third-party certification, we stricly control the quality of products and services. Welcome your RFQ to

Email: [Info@DiGi-Electronics.com](mailto:Info@DiGi-Electronics.com)



Tel: +00 852-30501935

RFQ Email: [Info@DiGi-Electronics.com](mailto:Info@DiGi-Electronics.com)

DiGi is a global authorized distributor of electronic components.