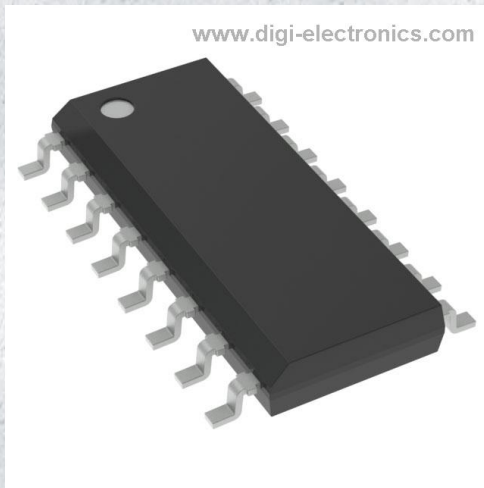


# VIPER26LDTR Datasheet



<https://www.DiGi-Electronics.com>

|                              |                                                |
|------------------------------|------------------------------------------------|
| DiGi Electronics Part Number | VIPER26LDTR-DG                                 |
| Manufacturer                 | <a href="#">STMicroelectronics</a>             |
| Manufacturer Product Number  | VIPER26LDTR                                    |
| Description                  | IC OFFLINE SWITCH FLYBACK 16SO                 |
| Detailed Description         | Converter Offline Flyback Topology 60kHz 16-SO |

This model VIPER26LDTR is available at DiGi Electronics.

DiGi Electronics offers a global database of semiconductor and electronic component datasheets.

We welcome your inquiries regarding pricing, lead time, or other product-related questions.

 [Request a Quote](#)

 [Datasheet Search](#)



Tel: +00 852-30501935

RFQ Email: [Info@DiGi-Electronics.com](mailto:Info@DiGi-Electronics.com)

DiGi is a global authorized distributor of electronic components.

## Purchase and inquiry

Manufacturer Product Number:

VIPER26LDTR

Series:

VIPer™ plus

Output Isolation:

Either

Voltage - Breakdown:

800V

Voltage - Start Up:

13 V

Duty Cycle:

70%

Power (Watts):

20 W

Control Features:

-

Package / Case:

16-SOIC (0.154", 3.90mm Width)

Mounting Type:

Surface Mount

Manufacturer:

STMicroelectronics

Product Status:

Active

Internal Switch(s):

Yes

Topology:

Flyback

Voltage - Supply (Vcc/Vdd):

11.5V ~ 23.5V

Frequency - Switching:

60kHz

Fault Protection:

Current Limiting, Over Temperature

Operating Temperature:

-40°C ~ 150°C (TJ)

Supplier Device Package:

16-SO

Base Product Number:

VIPER26

## Environmental & Export classification

RoHS Status:

ROHS3 Compliant

REACH Status:

REACH Unaffected

HTSUS:

8542.39.0001

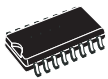
Moisture Sensitivity Level (MSL):

3 (168 Hours)

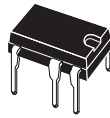
ECCN:

EAR99

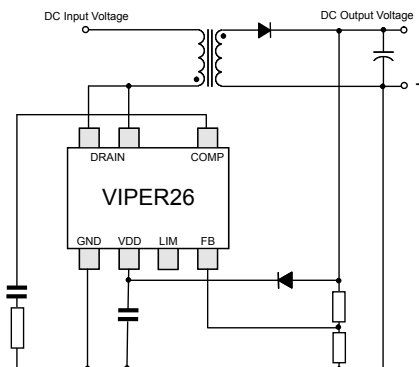
## Fixed frequency VIPer plus family



SO16 narrow



DIP-7



## Features

- 800 V avalanche rugged power MOSFET allowing wide range  $V_{AC}$  input range to be covered
- Embedded HV startup and sense-FET
- Current mode PWM controller
- Minimized system input power consumption:
  - Less than 30 mW @ 230 V<sub>AC</sub> in no-load condition
  - Less than 400 mW @ 230 V<sub>AC</sub> with 250 mW load
- Limiting current with adjustable set point
- Jittered switching frequency to reduce the EMI filter cost:
  - 60 kHz  $\pm$ 4 kHz (L type)
  - 115 kHz  $\pm$ 8 kHz (H type)
- Embedded error amplifier
- Hysteretic thermal shutdown
- Built-in soft-start for improved system reliability
- Protections with automatic restart: overload/short-circuit (OLP), feedback loop disconnection

## Application

- Auxiliary power supply for appliances
- Power metering
- LED drivers
- SMPS for set-top boxes, DVD players and recorders

## Product status link

[VIPER26](#)

## Product label



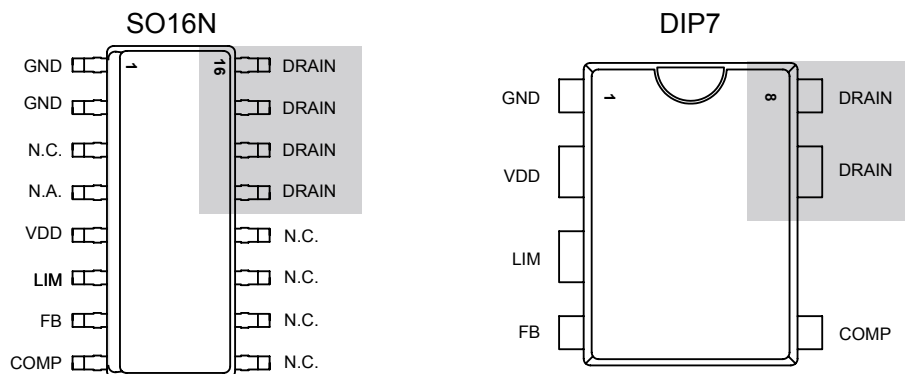
## Description

The VIPER26 device is a smart high voltage converter that integrates an 800 V avalanche-rugged power MOSFET with PWM current mode control. The power MOSFET with 800 V breakdown voltage allows an extended input voltage range to be applied, as well as the size of the DRAIN snubber circuit to be reduced.

This IC meets the most stringent energy-saving standards with very low consumption and burst mode operation under light load.

The design of flyback, buck and buck boost converters is supported. The integrated HV startup, sense-FET, error amplifier and oscillator with jitter allow complete application designs with a minimum number of components.

## 1 Pin settings

**Figure 1. Connection diagram (top view)**


*Note:* The copper area for heat dissipation has to be designed under the DRAIN pins.

**Table 1. Pin descriptions**

| Pin number |       | Name  | Function                                                                                                                                                                                                                                                                                                                                                                                                                                                                                                            |
|------------|-------|-------|---------------------------------------------------------------------------------------------------------------------------------------------------------------------------------------------------------------------------------------------------------------------------------------------------------------------------------------------------------------------------------------------------------------------------------------------------------------------------------------------------------------------|
| DIP7       | SO16N |       |                                                                                                                                                                                                                                                                                                                                                                                                                                                                                                                     |
| 1          | 1-2   | GND   | <b>Ground and MOSFET source.</b> Connection of the source of the internal MOSFET and controller ground reference.                                                                                                                                                                                                                                                                                                                                                                                                   |
| -          | 3     | N.C.  | <b>Not connected.</b> This pin can be soldered to GND.                                                                                                                                                                                                                                                                                                                                                                                                                                                              |
| -          | 4     | N. A. | <b>Not available for user.</b> This pin is mechanically connected to the controller die pad of the frame. In order to improve noise immunity, it is highly recommended to connect it to GND (pin 1,2).                                                                                                                                                                                                                                                                                                              |
| 2          | 5     | VDD   | <b>Controller Supply.</b> An external storage capacitor has to be connected across this pin and GND. The pin, internally connected to the high voltage current source, provides the VDD capacitor charging current at startup and during fault conditions. A small bypass capacitor (0.1 $\mu$ F typ.) in parallel, placed as close as possible to the IC, is also recommended for noise filtering purposes.                                                                                                        |
| 3          | 6     | LIM   | <b>Drain current limitation.</b> This pin allows setting the drain current limitation to a lower value than the default $I_{Dlim}$ value. The limit can be reduced by connecting an external resistor between this pin and GND. In case of high electrical noise, a capacitor may be connected between this pin and GND; the capacitor value must be lower than 470 nF in order to not impact the functionality of the pin. The pin can be left open if the default drain current limitation, $I_{Dlim}$ , is used. |
| 4          | 7     | FB    | <b>Direct feedback.</b> It is the inverting input of the internal transconductance E/A, which is internally referenced to 3.3 V with respect to GND. In a non-isolated converter, the output voltage information is directly fed into the pin through a voltage divider. In primary regulation, the FB voltage divider is connected to the VCC. The E/A is disabled by soldering FB to GND.                                                                                                                         |
| 5          | 8     | COMP  | <b>Compensation.</b> It is the output of the internal E/A. A compensation network is placed between this pin and GND to achieve stability and good dynamic performance of the control loop. In case of isolated secondary side regulation, the internal E/A must be disabled and the COMP directly driven by the optocoupler to control the DRAIN peak current setpoint.                                                                                                                                            |
| -          | 9-12  | N.C.  | <b>Not internally connected.</b> These pins must be left floating in order to ensure a safe clearance distance.                                                                                                                                                                                                                                                                                                                                                                                                     |
| 7,8        | 13-16 | DRAIN | <b>MOSFET drain.</b> The internal high voltage current source sinks current from this pin to charge the VCC capacitor at startup. These pins are mechanically connected to the internal metal PAD of the MOSFET in order to facilitate heat dissipation. On the PCB, the copper area must be placed under these pins in order to decrease the total junction-to-ambient thermal resistance, thus facilitating the power dissipation.                                                                                |



## 2 Electrical and thermal ratings

**Table 2. Absolute maximum ratings**

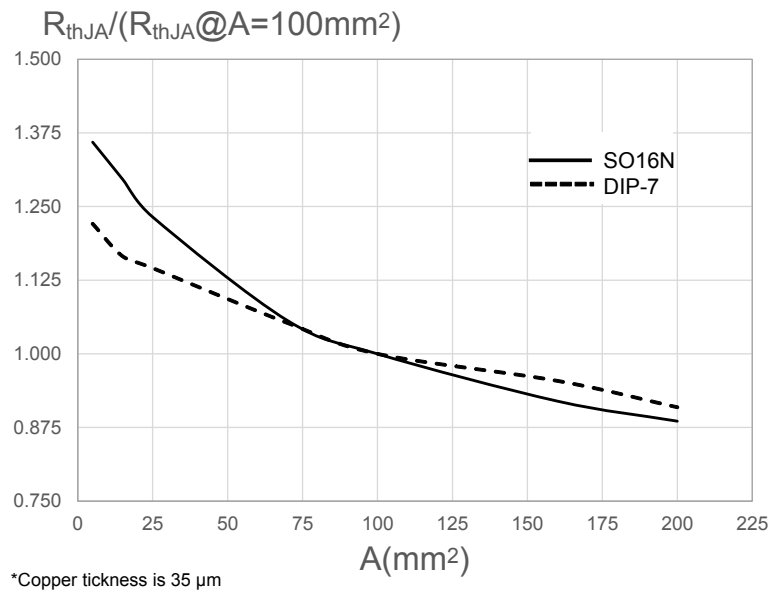
| Symbol             | Parameter                                                | Min. | Max.         | Unit |
|--------------------|----------------------------------------------------------|------|--------------|------|
| V <sub>DRAIN</sub> | Drain-to- source (ground) voltage                        | -    | 800          | V    |
| I <sub>DRAIN</sub> | Pulse drain current (limited by T <sub>J</sub> = 150 °C) | -    | 3            | A    |
| V <sub>COMP</sub>  | COMP voltage                                             | -0.3 | 3.5V         | V    |
| V <sub>FB</sub>    | FB voltage                                               | -0.3 | 4.8          | V    |
| V <sub>LIM</sub>   | LIM voltage                                              | -0.3 | 2.4          | V    |
| V <sub>DD</sub>    | Supply voltage                                           | -0.3 | Self limited | V    |
| I <sub>DD</sub>    | Input current                                            | -0.3 | 20           | mA   |
| P <sub>TOT</sub>   | Power Dissipation @ Tamb < 40 °C (DIP7)                  | -    | 1            | W    |
|                    | Power Dissipation @ Tamb < 60 °C (SO16N)                 | -    | 1.5          | W    |
| T <sub>J</sub>     | Junction Temperature operating range                     | -40  | 150          | °C   |
| T <sub>STG</sub>   | Storage Temperature                                      | -55  | 150          | °C   |

**Table 3. Thermal data**

| Symbol             | Parameter                                                                      | Max. value |       | Unit |
|--------------------|--------------------------------------------------------------------------------|------------|-------|------|
|                    |                                                                                | SO16N      | DIP-7 |      |
| R <sub>TH-JC</sub> | Thermal resistance junction to case <sup>(1)</sup><br>(Dissipated power = 1 W) | 10         | 10    | °C/W |
| R <sub>TH-JA</sub> | Thermal resistance junction ambient <sup>(1)</sup><br>(Dissipated power = 1 W) | 120        | 120   | °C/W |
| R <sub>TH-JC</sub> | Thermal resistance junction to case <sup>(2)</sup><br>(Dissipated power = 1 W) | 5          | 5     | °C/W |
| R <sub>TH-JA</sub> | Thermal resistance junction ambient <sup>(2)</sup><br>(Dissipated power = 1 W) | 85         | 95    | °C/W |

1. When mounted on a standard, single side FR4 board with minimum copper area.

2. When mounted on a standard, single side FR4 board with 100 mm<sup>2</sup> of Cu (35 μm thick).


**Figure 2.  $R_{th}$  versus area**

**Table 4. Avalanche characteristics**

| Symbol   | Parameter                                                    | Min. | Max. | Unit |
|----------|--------------------------------------------------------------|------|------|------|
| $E_{AV}$ | Repetitive avalanche energy (limited by $T_J=150^\circ C$ )  | -    | 5    | mJ   |
| $I_{AR}$ | Repetitive avalanche current (limited by $T_J=150^\circ C$ ) | -    | 1.5  | A    |

## 2.1 Electrical characteristics

$T_J = -40$  to  $125^\circ C$ ,  $V_{DD} = 14$  V (unless otherwise specified)

*Note:* Adjust  $V_{DD}$  above  $V_{DD}$  on startup threshold before setting to 14 V

**Table 5. Power section**

| Symbol       | Parameter                         | Test condition                                                                  | Min. | Typ. | Max. | Unit     |
|--------------|-----------------------------------|---------------------------------------------------------------------------------|------|------|------|----------|
| $V_{BVDS}$   | Breakdown voltage                 | $I_{DRAIN} = 1$ mA, $V_{COMP} = V_{GND}$ ,<br>$T_J = 25^\circ C$                | 800  | -    | -    | V        |
| $I_{OFF}$    | OFF state drain current           | $V_{DRAIN} = \text{max. rating}$ ,<br>$V_{COMP} = V_{GND}$ , $T_J = 25^\circ C$ | -    | -    | 60   | $\mu A$  |
| $R_{DS(on)}$ | Static drain-source ON-resistance | $I_{DRAIN} = 0.2$ A, $T_J = 25^\circ C$                                         | -    | -    | 7    | $\Omega$ |
|              |                                   | $I_{DRAIN} = 0.2$ A, $T_J = 125^\circ C$                                        | -    | -    | 14   | $\Omega$ |

**Table 6. Supply section**

| Symbol             | Parameter                       | Test condition                                               | Min. | Typ. | Max. | Unit |
|--------------------|---------------------------------|--------------------------------------------------------------|------|------|------|------|
| <b>Voltage</b>     |                                 |                                                              |      |      |      |      |
| $V_{DRAIN\_START}$ | Drain-source start voltage      | $I_{DRAIN} = 1$ mA; $V_{COMP} = GND$ ;<br>$T_J = 25^\circ C$ | -    | -    | 90   | V    |
| $I_{DDch1}$        | Charging current during startup | $V_{DRAIN} = 100$ to $640$ V; $V_{DD} = 4$ V                 | -0.6 | -    | -1.8 | mA   |



| Symbol         | Parameter                                                     | Test condition                                            | Min. | Typ. | Max. | Unit |
|----------------|---------------------------------------------------------------|-----------------------------------------------------------|------|------|------|------|
| $I_{DDch2}$    | Charging current during autorestart                           | $V_{DRAIN} = 100$ to $640$ V; $V_{DD} = 9$ V falling edge | -7   | -    | -13  | mA   |
| $V_{DD}$       | Operating voltage range                                       | -                                                         | 11.5 | -    | 23.5 | V    |
| $V_{DDclamp}$  | $V_{DD}$ clamp voltage                                        | $I_{DD} = 15$ mA;                                         | 23.5 | -    | -    | V    |
| $V_{DDon}$     | $V_{DD}$ startup threshold                                    | -                                                         | 12   | 13   | 14   | V    |
| $V_{DDCSon}$   | $V_{DD}$ on internal high voltage current generator threshold | -                                                         | 9.5  | 10.5 | 11.5 | V    |
| $V_{DDoff}$    | $V_{DD}$ undervoltage shutdown threshold                      | -                                                         | 7    | 8    | 9    | V    |
| <b>Current</b> |                                                               |                                                           |      |      |      |      |
| $I_{DD0}$      | Operating supply current, not switching                       | $F_{OSC} = 0$ kHz; $V_{COMP} = GND$                       | -    | -    | 0.6  | mA   |
| $I_{DD1}$      | Operating supply current, switching                           | $V_{DRAIN} = 120$ V; $V_{SW} = 60$ kHz                    | -    | -    | 2    |      |
|                |                                                               | $V_{DRAIN} = 120$ V; $V_{SW} = 115$ kHz                   | -    | -    | 3    |      |
| $I_{DDoff}$    | Operating supply current with $V_{DD} < V_{DDoff}$            | $V_{DD} < V_{DDoff}$                                      | -    | -    | 0.35 |      |
| $I_{DDol}$     | Open loop failure current threshold                           | $V_{DD} = V_{DDclamp}$ ; $V_{COMP} = 3.3$ V               | 4    | -    | -    |      |

**Table 7. Controller section**

| Symbol                           | Parameter                          | Test condition                                                        | Min. | Typ. | Max. | Unit       |
|----------------------------------|------------------------------------|-----------------------------------------------------------------------|------|------|------|------------|
| <b>Error amplifier</b>           |                                    |                                                                       |      |      |      |            |
| $V_{REF\_FB}$                    | FB reference voltage               | -                                                                     | 3.2  | 3.3  | 3.4  | V          |
| $I_{FB\_PULL\ UP}$               | Pull-up current                    | -                                                                     | -    | -1   | -    | $\mu$ A    |
| $G_M$                            | Trans conductance                  | $V_{COMP} = 1.5$ V, $V_{FB} > V_{FB\ REF}$                            | -    | 2    | -    | mA/V       |
| <b>Current setting (LIM) pin</b> |                                    |                                                                       |      |      |      |            |
| $V_{LIM\_LOW}$                   | Low level clamp voltage            | $I_{LIM} = -100$ $\mu$ A                                              | -    | 0.5  | -    | V          |
| <b>Compensation (COMP) pin</b>   |                                    |                                                                       |      |      |      |            |
| $V_{COMPH}$                      | Upper saturation limit             | $T_J = 25^\circ\text{C}$                                              | -    | 3    | -    | V          |
| $V_{COMPL}$                      | Burst mode threshold               | $T_J = 25^\circ\text{C}$                                              | 1    | 1.1  | 1.2  | V          |
| $V_{COMPL\_HYS}$                 | Burst mode hysteresis              | $T_J = 25^\circ\text{C}$                                              | -    | 40   | -    | mV         |
| $H_{COMP}$                       | $\Delta V_{COMP}/\Delta I_{DRAIN}$ | -                                                                     | -    | 3    | -    | V/A        |
| $R_{COMP(DYN)}$                  | Dynamic resistance                 | $V_{FB} = GND$                                                        | -    | 15   | -    | k $\Omega$ |
| $I_{COMP}$                       | Source / sink current              | $V_{FB} > 100$ mV                                                     | -    | 150  | -    | $\mu$ A    |
|                                  | Max. source current                | $V_{COMP} = GND$ ; $V_{FB} = GND$                                     | -    | 220  | -    |            |
| <b>Current limitation</b>        |                                    |                                                                       |      |      |      |            |
| $I_{DLIM}$                       | Drain current limitation           | $I_{LIM} = -10$ $\mu$ A; $V_{COMP} = 3.3$ V; $T_J = 25^\circ\text{C}$ | 0.66 | 0.7  | 0.74 | A          |
| $t_{SS}$                         | Soft-start time                    | -                                                                     | -    | 8.5  | -    | ms         |
| $t_{ON\_MIN}$                    | Minimum turn-on time               | -                                                                     | -    | -    | 480  | ns         |
| $I_{Dlim\_bm}$                   | Burst mode current limitation      | $V_{COMP} = V_{COMPL}$                                                | -    | 145  | -    | mA         |
| <b>Overload</b>                  |                                    |                                                                       |      |      |      |            |
| $t_{OVL}$                        | Overload time                      | -                                                                     | -    | 50   | -    | ms         |



| Symbol                    | Parameter                              | Test condition                     | Min. | Typ.    | Max. | Unit               |
|---------------------------|----------------------------------------|------------------------------------|------|---------|------|--------------------|
| $t_{\text{RESTART}}$      | Restart time after fault               | -                                  | -    | 1       | -    | s                  |
| <b>Oscillator section</b> |                                        |                                    |      |         |      |                    |
| $F_{\text{OSC}}$          | Switching frequency                    | VIPER26L                           | 54   | 60      | 66   | kHz                |
|                           |                                        | VIPER26H                           | 103  | 115     | 127  |                    |
| $F_{\text{D}}$            | Modulation depth                       | $F_{\text{OSC}} = 60 \text{ kHz}$  | -    | $\pm 4$ | -    | kHz                |
|                           |                                        | $F_{\text{OSC}} = 115 \text{ kHz}$ | -    | $\pm 8$ | -    |                    |
| $F_{\text{M}}$            | Modulation frequency                   | -                                  | -    | 230     | -    | Hz                 |
| $D_{\text{MAX}}$          | Maximum duty cycle                     | -                                  | 70   | -       | 80   | %                  |
| <b>Thermal shutdown</b>   |                                        |                                    |      |         |      |                    |
| $T_{\text{SD}}$           | Thermal shutdown temperature threshold | -                                  | 150  | 160     | -    | $^{\circ}\text{C}$ |
| $T_{\text{HYS}}$          | Thermal shutdown hysteresis            | -                                  | -    | 30      | -    | $^{\circ}\text{C}$ |



### 3 Typical electrical characteristics

Figure 3.  $I_{DLIM}$  vs.  $T_J$

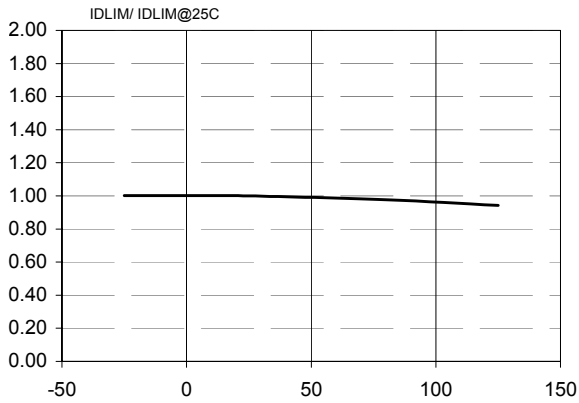


Figure 4.  $F_{osc}$  vs.  $T_J$

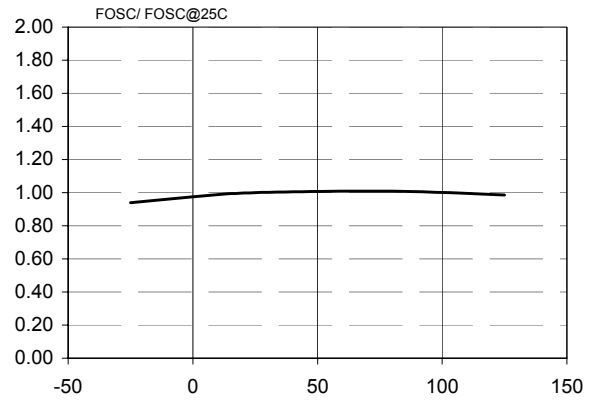


Figure 5.  $V_{DRAIN\_START}$  vs.  $T_J$

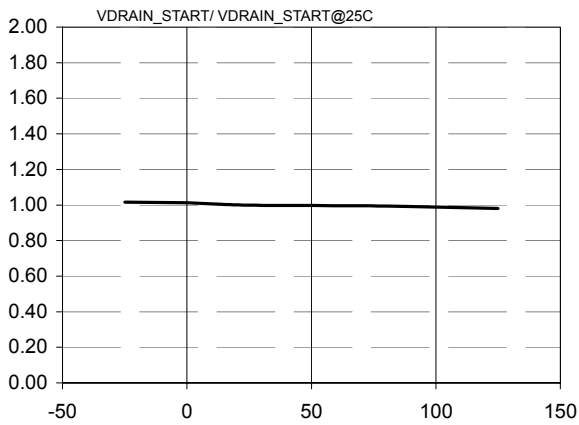


Figure 6.  $H_{COMP}$  vs.  $T_J$

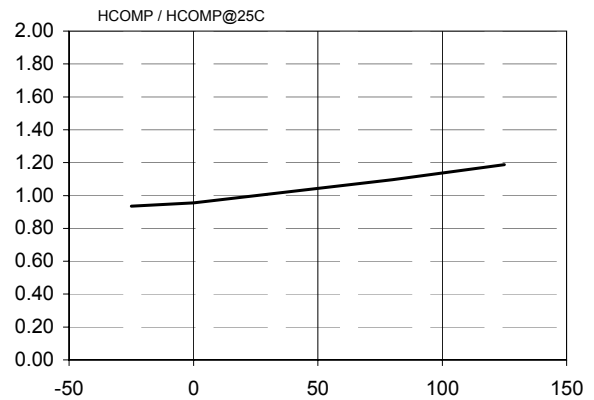


Figure 7.  $G_M$  vs.  $T_J$

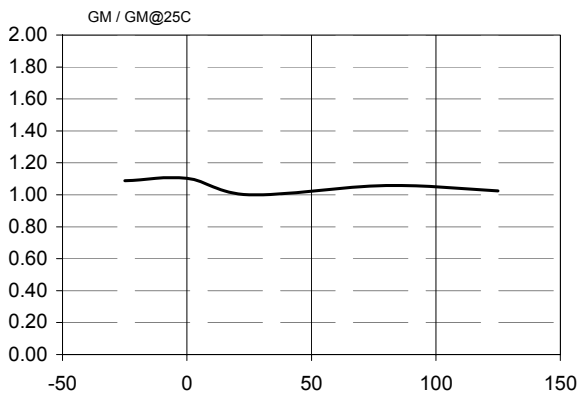
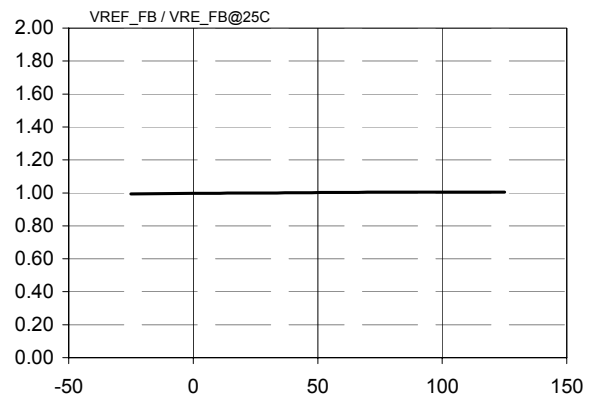


Figure 8.  $V_{REF\_FB}$  vs.  $T_J$



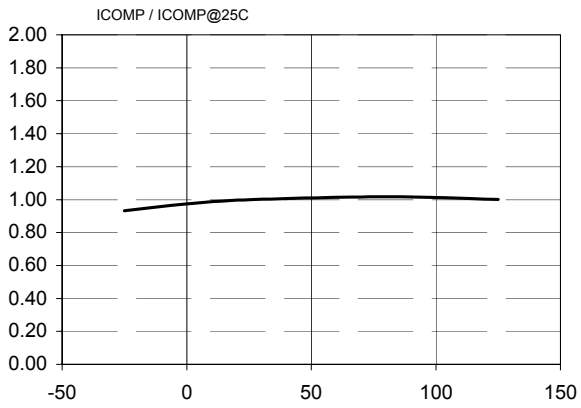
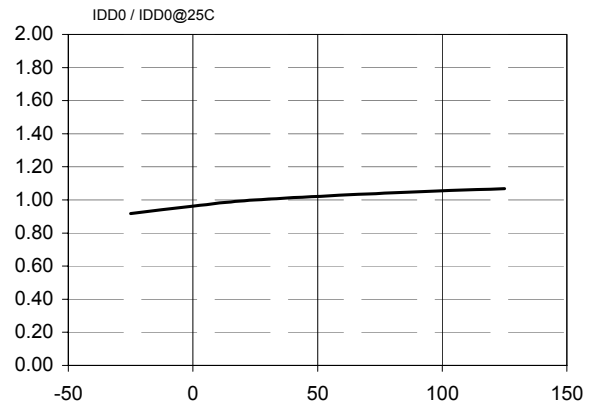
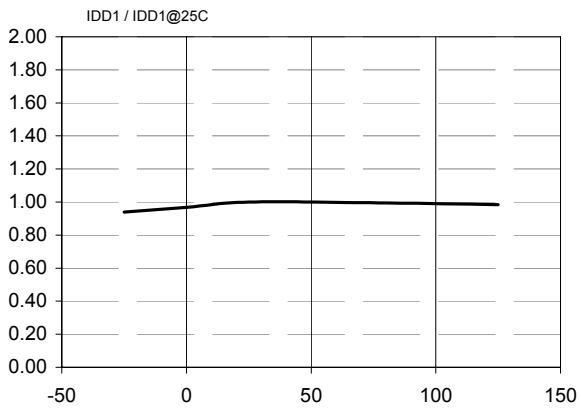
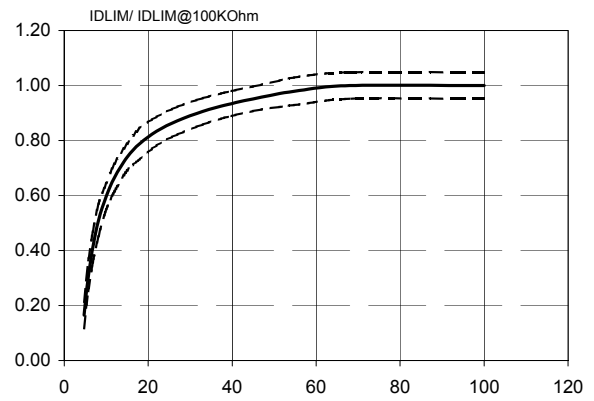
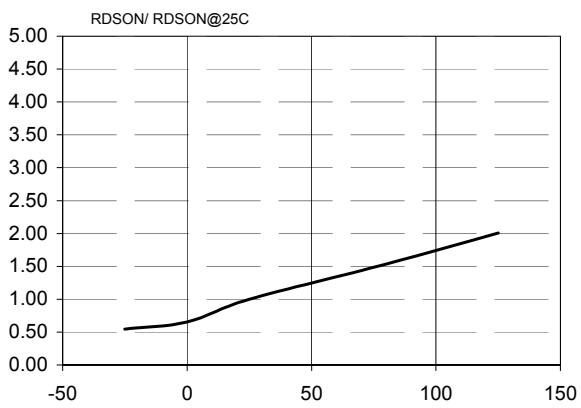
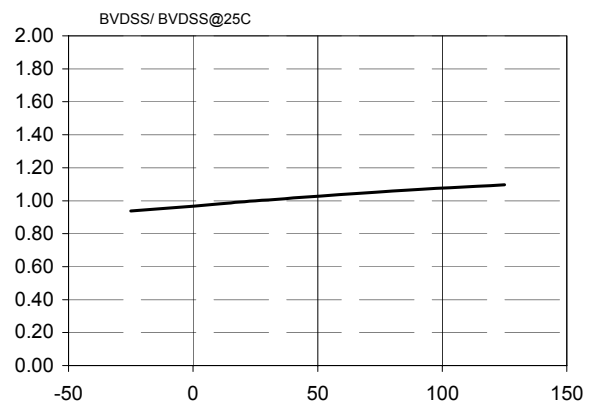

**Figure 9. I<sub>COMP</sub> vs. T<sub>J</sub>**

**Figure 10. Operating supply current (no switching) vs T<sub>J</sub>**

**Figure 11. Operating supply current (switching) vs T<sub>J</sub>**

**Figure 12. I<sub>DLIM</sub> vs. R<sub>LIM</sub>**

**Figure 13. Power MOSFET on-resistance vs T<sub>J</sub>**

**Figure 14. Power MOSFET breakdown voltage vs T<sub>J</sub>**




Figure 15. Power MOSFET capacitance variation vs  $V_{DS}$

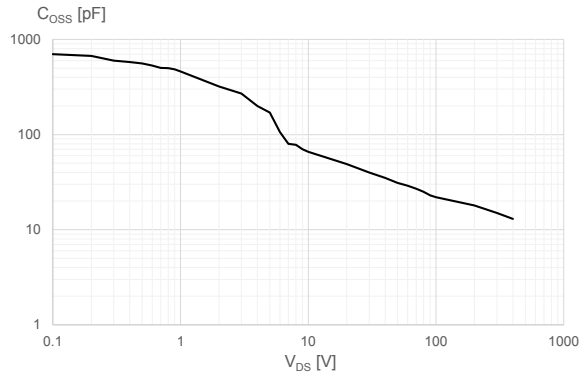


Figure 16. SOA SO16N package

When mounted on a standard single side FR4 board with 100 mm<sup>2</sup> of Cu (35µm thick)

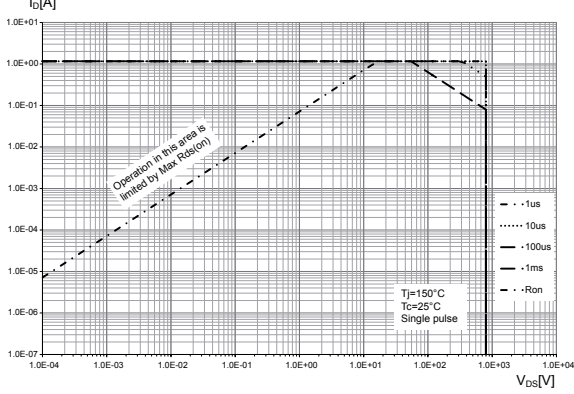


Figure 17. SOA DIP7 package

When mounted on a standard single side FR4 board with 100 mm<sup>2</sup> of Cu (35µm thick)

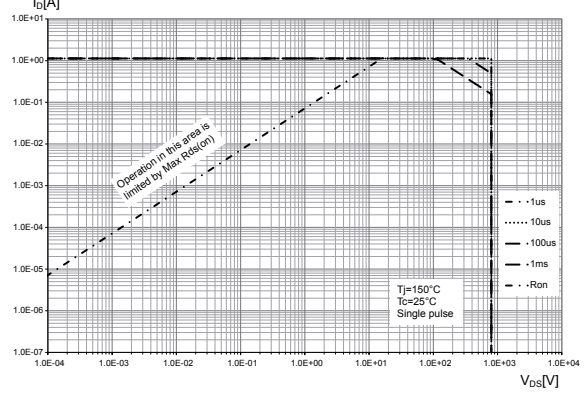
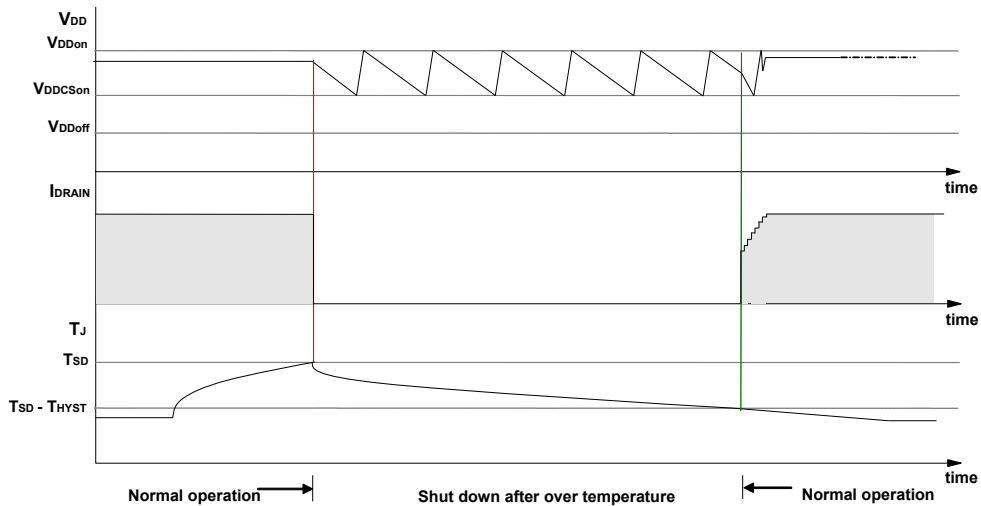
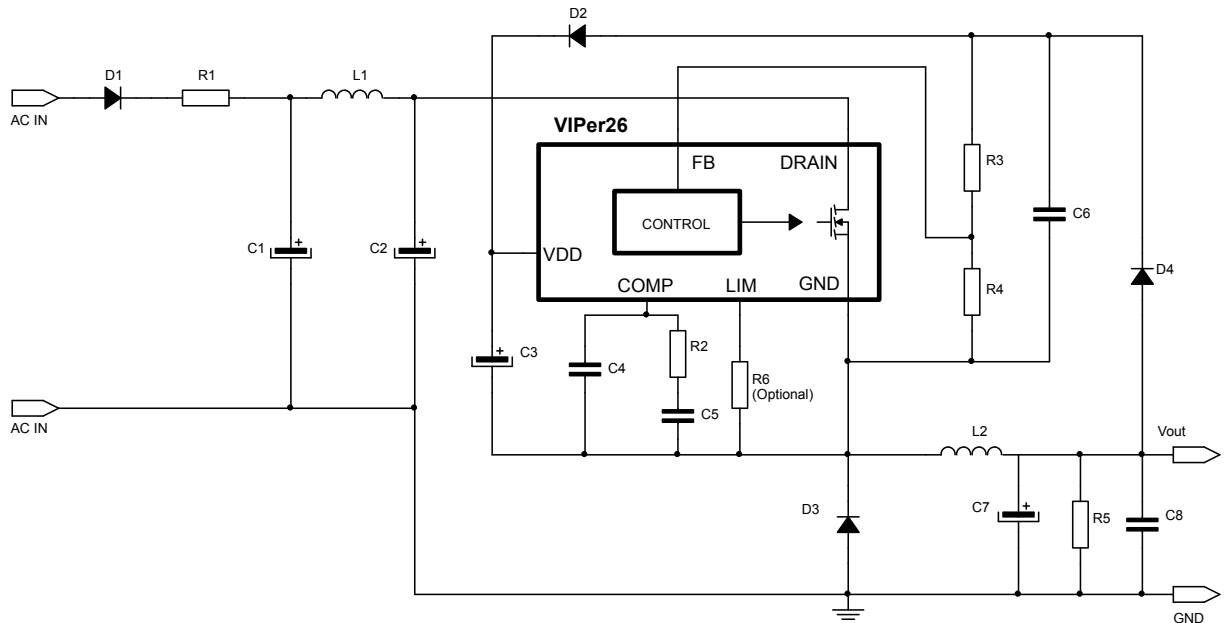
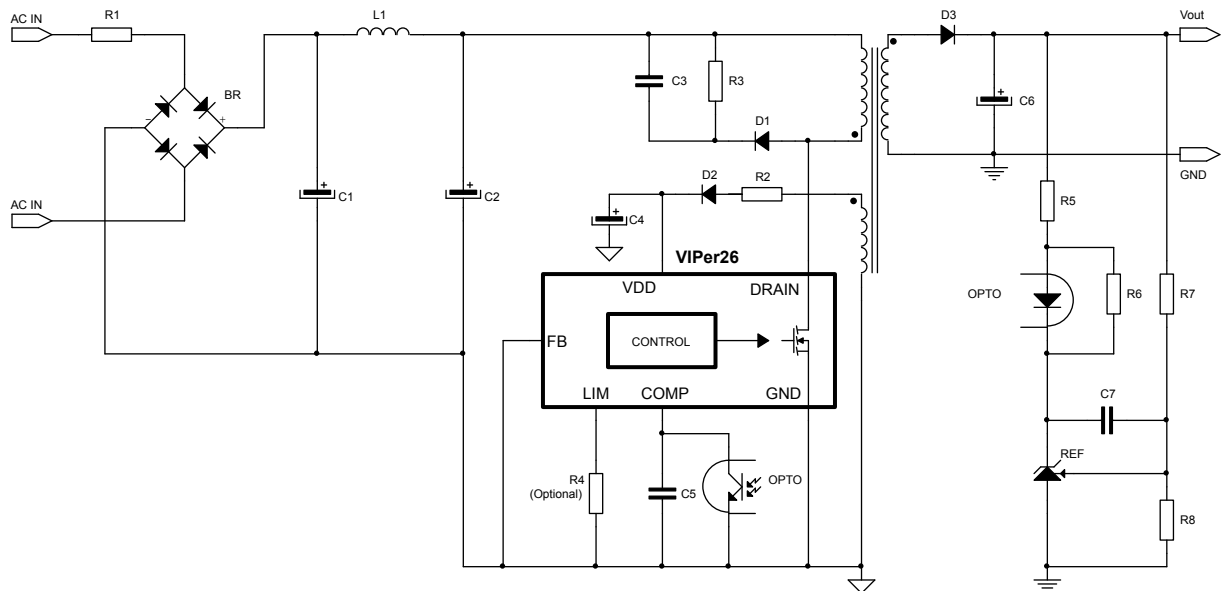
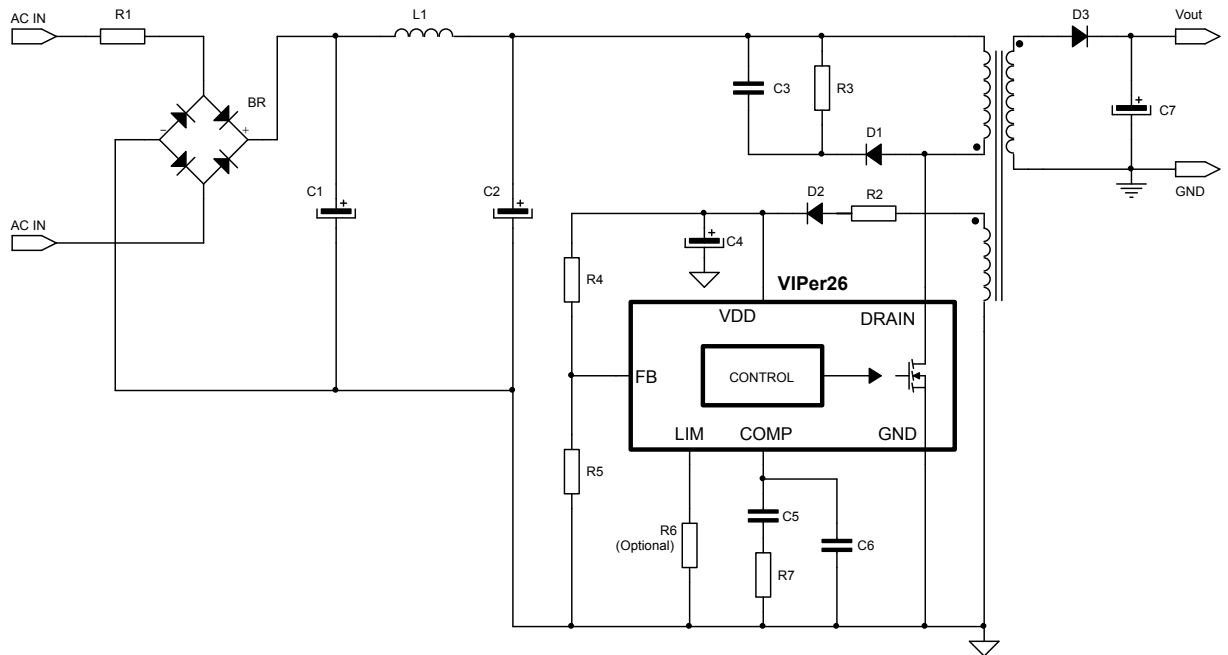
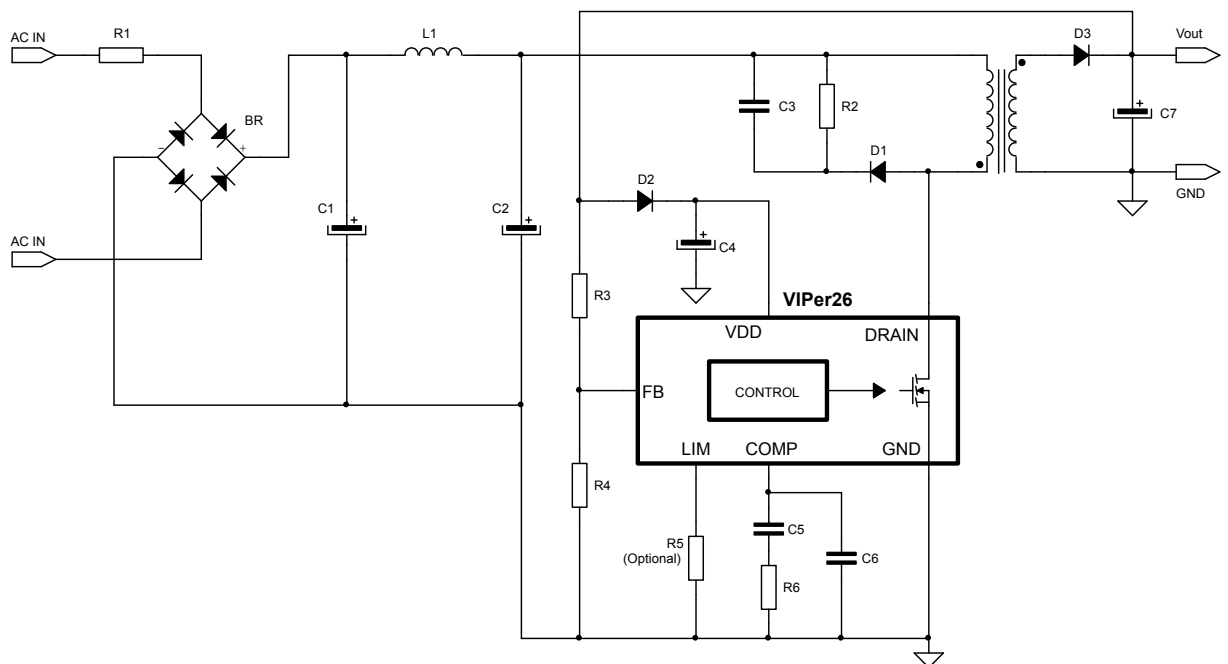


Figure 18. Thermal shutdown



## 4 Typical circuits

**Figure 19. Buck converter ( $V_{OUT} > V_{DDCSon}$ )**

**Figure 20. Flyback converter (isolated)**


**Figure 21. Flyback converter (primary regulation)**

**Figure 22. Flyback converter (non isolated,  $V_{OUT} \geq V_{DCCson}$ )**






## 4.2 Typical power

**Table 8. VIPer26 typical power**

| 230 V <sub>AC</sub>    |                           | 85-265 V <sub>AC</sub> |                           |
|------------------------|---------------------------|------------------------|---------------------------|
| Adapter <sup>(1)</sup> | Open Frame <sup>(2)</sup> | Adapter <sup>(1)</sup> | Open Frame <sup>(2)</sup> |
| 18 W                   | 20 W                      | 10 W                   | 12 W                      |

1. Typical continuous power in non-ventilated enclosed adapter measured at 50°C ambient.
2. Maximum practical continuous power in an open frame design at 50°C ambient, with adequate heat sinking.



---

## 5 Power section

---

The power section is implemented with an n-channel power MOSFET with a breakdown voltage of 800 V min. and a typical  $R_{DS(on)}$  of 7  $\Omega$ . It includes a SenseFET structure to allow virtually lossless current sensing and a thermal sensor.

The gate driver of the power MOSFET is designed to supply a controlled gate current during turn ON and turn OFF in order to minimize common mode EMI. During UVLO conditions, an internal pull-down circuit holds the gate low in order to ensure that the power MOSFET cannot be turned ON accidentally.

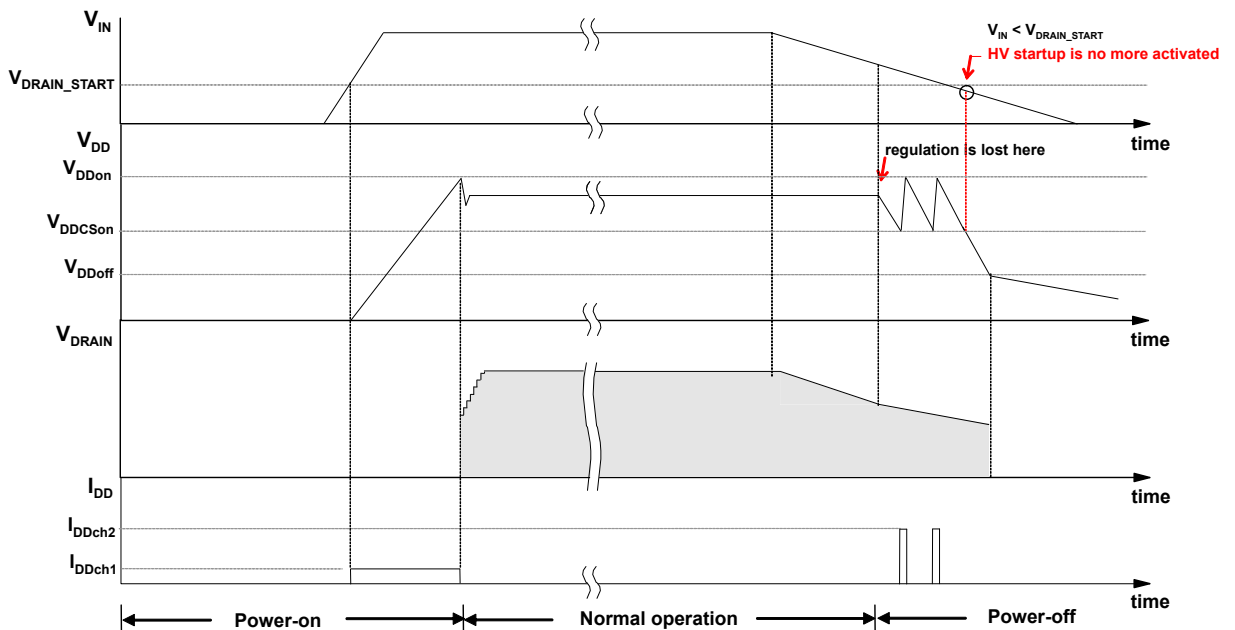
## 6 High-voltage current generator

The high voltage current generator is supplied by the DRAIN pin. On initial startup of the converter, it is enabled when the voltage across the input bulk capacitor reaches the  $V_{\text{DRAIN\_START}}$  threshold, sourcing the  $I_{\text{DDch1}}$  current (see Table 6. Supply section). As the  $V_{\text{DD}}$  voltage reaches the  $V_{\text{DDon}}$  start-up threshold, the power section starts switching and the high voltage current generator is turned OFF. The VIPer26 is powered by the external source. After the start-up, the auxiliary winding or the diode connected to the output voltage must power the  $V_{\text{DD}}$  capacitor with a voltage higher than the  $V_{\text{DDCSon}}$  threshold (see Table 6).

During the switching, the internal current source is disabled and the consumptions are minimized. If a fault occurs, switching is stopped and the device is self biased by the internal high voltage current source; it is activated between the levels  $V_{\text{DDCSon}}$  and  $V_{\text{DDon}}$  delivering the current  $I_{\text{DDch2}}$  to the  $V_{\text{DD}}$  capacitor during the MOSFET OFF time, see Figure 25.

At converter power-down, the  $V_{\text{DD}}$  voltage drops and the converter activity stops as it falls below the  $V_{\text{DDoff}}$  threshold (see Table 6).

Figure 25. Power ON and power OFF





---

## 7 Oscillator

---

The switching frequency is internally fixed at 60 kHz (VIPER26LN or LD) or 115 kHz (VIPER26HN or HD). In both cases, the switching frequency is modulated by approximately  $\pm 4$  kHz (60 kHz version) or  $\pm 8$  kHz (115 kHz version) at 230 Hz (typical) rate, so that the resulting spread-spectrum action distributes the energy of each harmonic of the switching frequency over a number of sideband harmonics, having the same net energy but with smaller amplitudes.



---

## 8 Soft startup

---

During the converter start-up phase, the soft-start function progressively increases the cycle-by-cycle drain current limit, up to the default value  $I_{Dlim}$ . This way, the drain current is further limited and the output voltage is progressively increased, therefore reducing the stress on the secondary diode. The soft-start time is internally fixed to  $t_{SS}$  (see typical value on [Table 7. Controller section](#)) and the function is activated for any converter start-up attempt or a fault event.

This function helps prevent transformer saturation during start-up and short-circuit.



## 9 Adjustable current limit set point

The VIPer26 includes a current mode PWM controller: cycle by cycle the drain current is sensed through the integrated resistor  $R_{SENSE}$  and the voltage is applied to the non inverting input of the PWM comparator, see [Figure 24. Block diagram](#). As soon as the sensed voltage is equal to the voltage derived from the COMP pin, the power MOSFET is switched OFF.

In parallel with the PWM operations, the comparator OCP, see [Figure 24](#), checks the level of the drain current and switch OFF the power MOSFET in case the current is higher than the threshold  $I_{Dlim}$ , see [Table 7. Controller section](#).

The level of the drain current limit,  $I_{Dlim}$ , can be reduced depending on the sunk current from the pin LIM. The resistor  $R_{LIM}$ , between LIM and GND pins, fixes the current sunk and therefore the level of the current limit,  $I_{Dlim}$ , see [Figure 12.  \$I\_{DLIM}\$  vs.  \$R\_{LIM}\$](#) .

When the LIM pin is left open or if the  $R_{LIM}$  has a high value (i.e.,  $> 80\text{ k}\Omega$ ), the current limit is fixed to its default value,  $I_{Dlim}$ , as reported in [Table 7](#).

## 10 FB pin and COMP pin

The device can be used both in non-isolated and in isolated topology. In case of non-isolated topology, the feedback signal from the output voltage is applied directly to the FB pin as inverting input of the internal error amplifier with reference voltage,  $V_{REF\_FB}$ , see [Table 7. Controller section](#).

The output of the error amplifier sources and sinks the current,  $I_{COMP}$ , to and from the compensation network connected on the COMP pin. This signal is then compared in the PWM comparator with the signal coming from the SenseFET; the power MOSFET is switched off when the two values are the same on a cycle by cycle basis. See [Figure 24. Block diagram](#) and [Figure 26. Feedback circuit](#).

When the power supply output voltage is equal to the error amplifier reference voltage,  $V_{REF\_FB}$ , a single resistor has to be connected from the output to the FB pin. For higher output voltages, the external resistor divider is needed. If the voltage on FB pin is accidentally left floating, an internal pull-up protects the controller.

The output of the error amplifier is externally accessible through the COMP pin and it is used for the loop compensation: usually an RC network.

As shown in [Figure 26](#), the internal error amplifier has to be disabled in isolated power supplies (FB pin shorted to GND). In this case, an internal resistor is connected between an internal reference voltage and the COMP pin, see [Figure 26](#). The current loop has to be closed on the COMP pin through the opto-transistor in parallel with the compensation network. The  $V_{COMP}$  dynamic range is between  $V_{COMPL}$  and  $V_{COMPH}$ , as shown in [Figure 27](#).

When the voltage  $V_{COMP}$  drops below the voltage threshold  $V_{COMPL}$ , the converter enters burst mode, see [Section 11 Burst mode](#).

When the voltage  $V_{COMP}$  rises above the  $V_{COMPH}$  threshold, the peak drain current will reach its limit, as well as the deliverable output power.

**Figure 26. Feedback circuit**

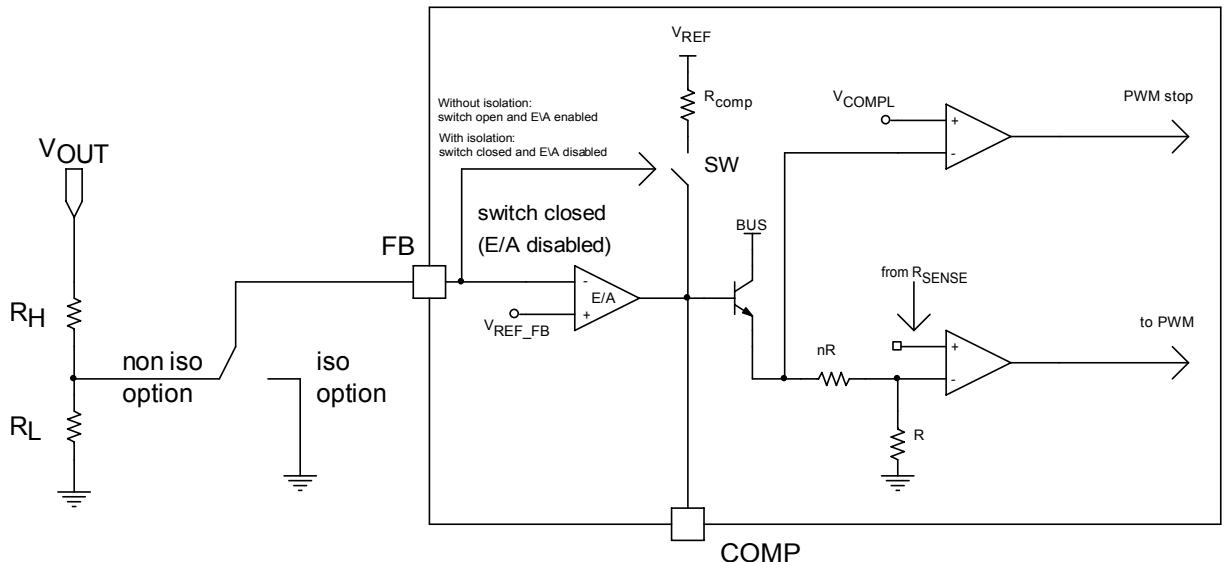
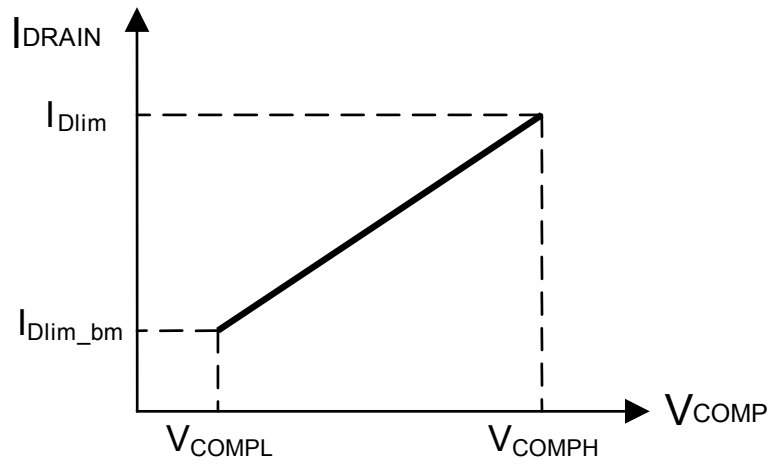
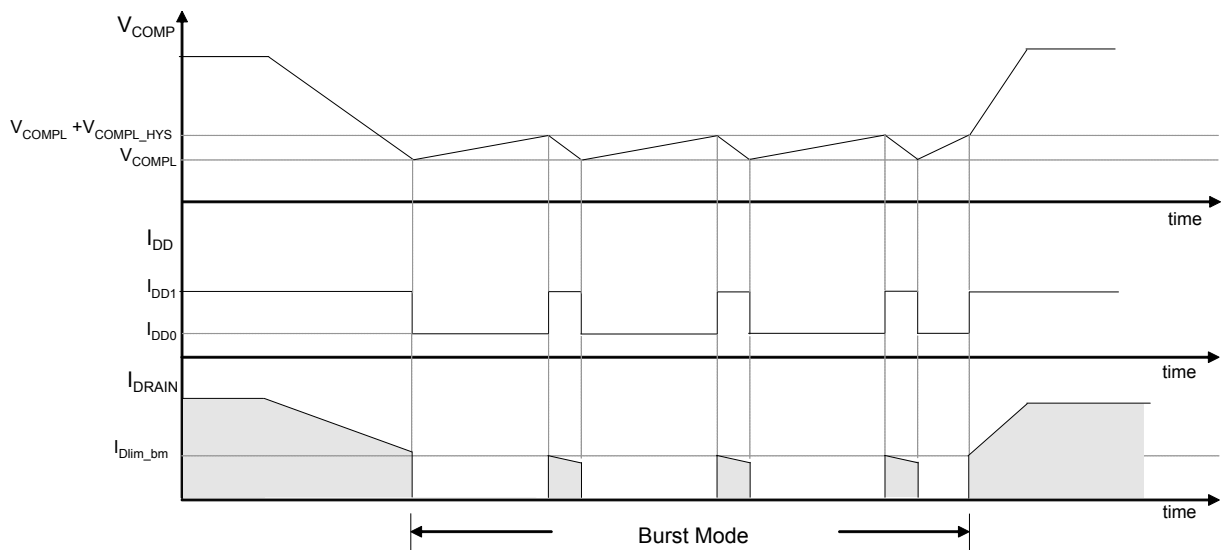


Figure 27. COMP pin voltage versus  $I_{D\text{LIM}}$ 

## 11 Burst mode

When the voltage  $V_{COMP}$  drops below the threshold,  $V_{COMPL}$ , the power MOSFET is kept in the OFF state and the consumption is reduced to  $I_{DD0}$  current, as given in [Table 6. Supply section](#). In reaction to the energy delivery interruption, the  $V_{COMP}$  voltage increases and, as soon as it exceeds the threshold  $V_{COMPL} + V_{COMPL\_HYS}$ , the converter starts switching again with consumption level equal to  $I_{DD1}$  current. This ON-OFF operation mode, referred to as “burst mode” (see [Figure 28](#)), reduces the average frequency, which can fall down even to a few hundreds hertz, thus minimizing all frequency-related losses and making it easier to comply with energy saving regulations. During burst mode, the drain current limit is reduced to the value  $I_{Dim\_bm}$  (given in [Table 7. Controller section](#)) in order to avoid audible noise issues.

**Figure 28. Load-dependent operating modes: timing diagrams**



## 12 Automatic restart after overload or short-circuit

The overload protection is implemented automatically through the integrated up-down counter. Every cycle, it is incremented or decremented depending on whether the current logic detects the limit condition or not. The limit condition is the peak drain current,  $I_{Dlim}$  given in Table 7. Controller section, or the one set by the user through the  $R_{LIM}$  resistor, as shown in Figure 12.  $I_{DLIM}$  vs.  $R_{LIM}$ .

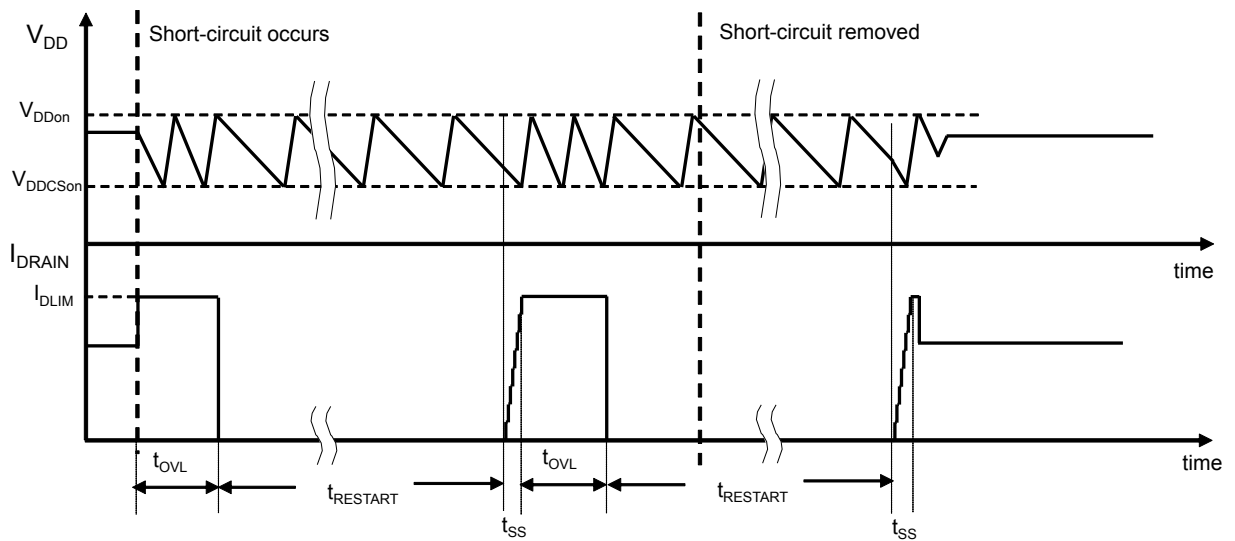
After the reset of the counter, if the peak drain current is continuously equal to the level  $I_{Dlim}$ , the counter will be incremented until the fixed time,  $t_{OVL}$ , after which the power MOSFET switch ON is disabled. It is activated again, through the soft start, after the  $t_{RESTART}$  time, see Figure 29. Timing diagram: OLP sequence and the relevant time values in Table 7.

In case of an overload or short-circuit event, the power MOSFET switching is stopped after a time that depends on the counter and whose maximum can equal  $t_{OVL}$ . The protection occurs in the same way until the overload condition is removed, see Figure 29.

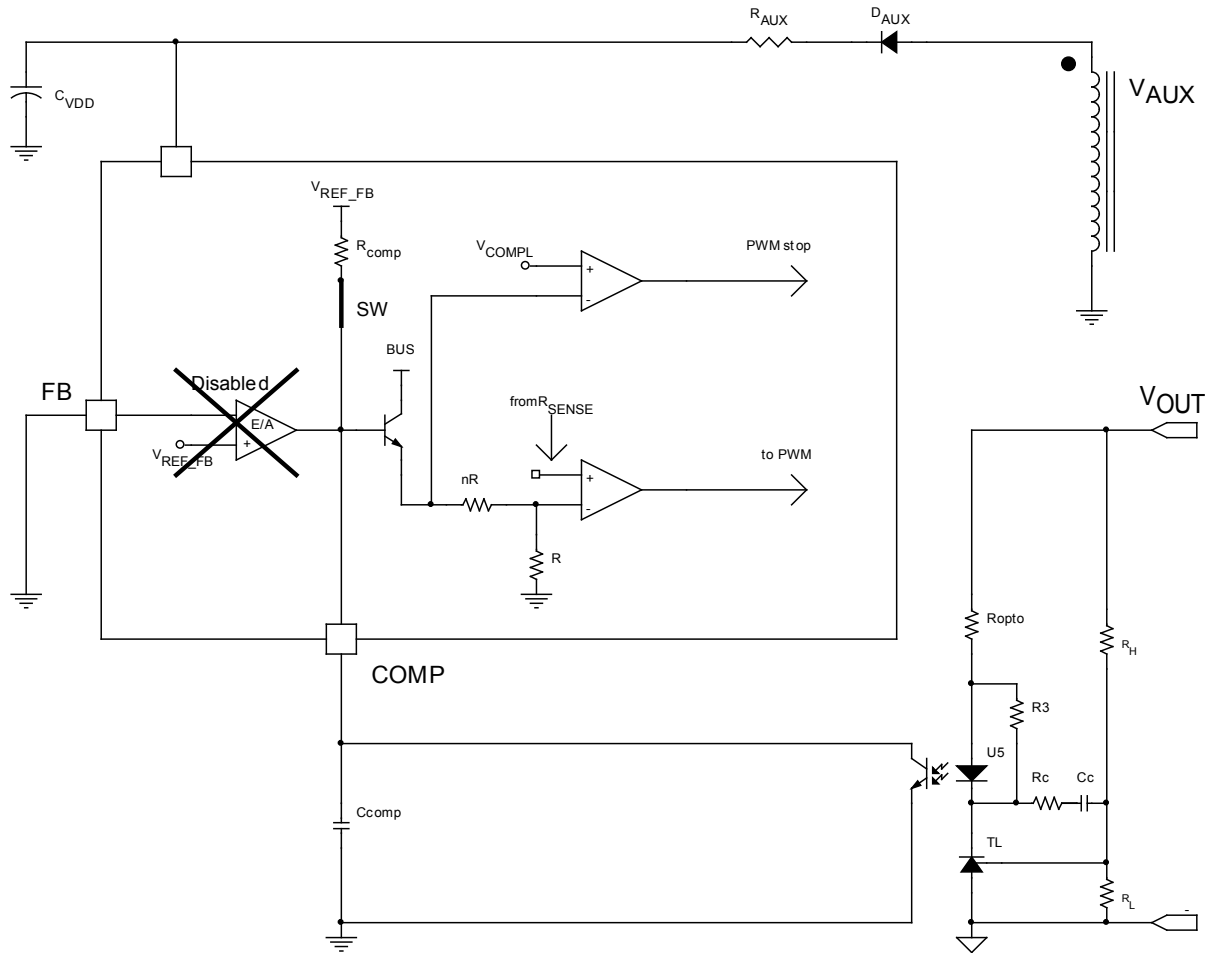
This protection ensures restart attempts of the converter with low repetition rate, so that it works safely with extremely low power throughput and avoids IC overheating in case of repeated overload events.

If the overload is removed before the protection tripping, the counter will be decremented cycle by cycle down to zero and the IC will not be stopped.

Figure 29. Timing diagram: OLP sequence





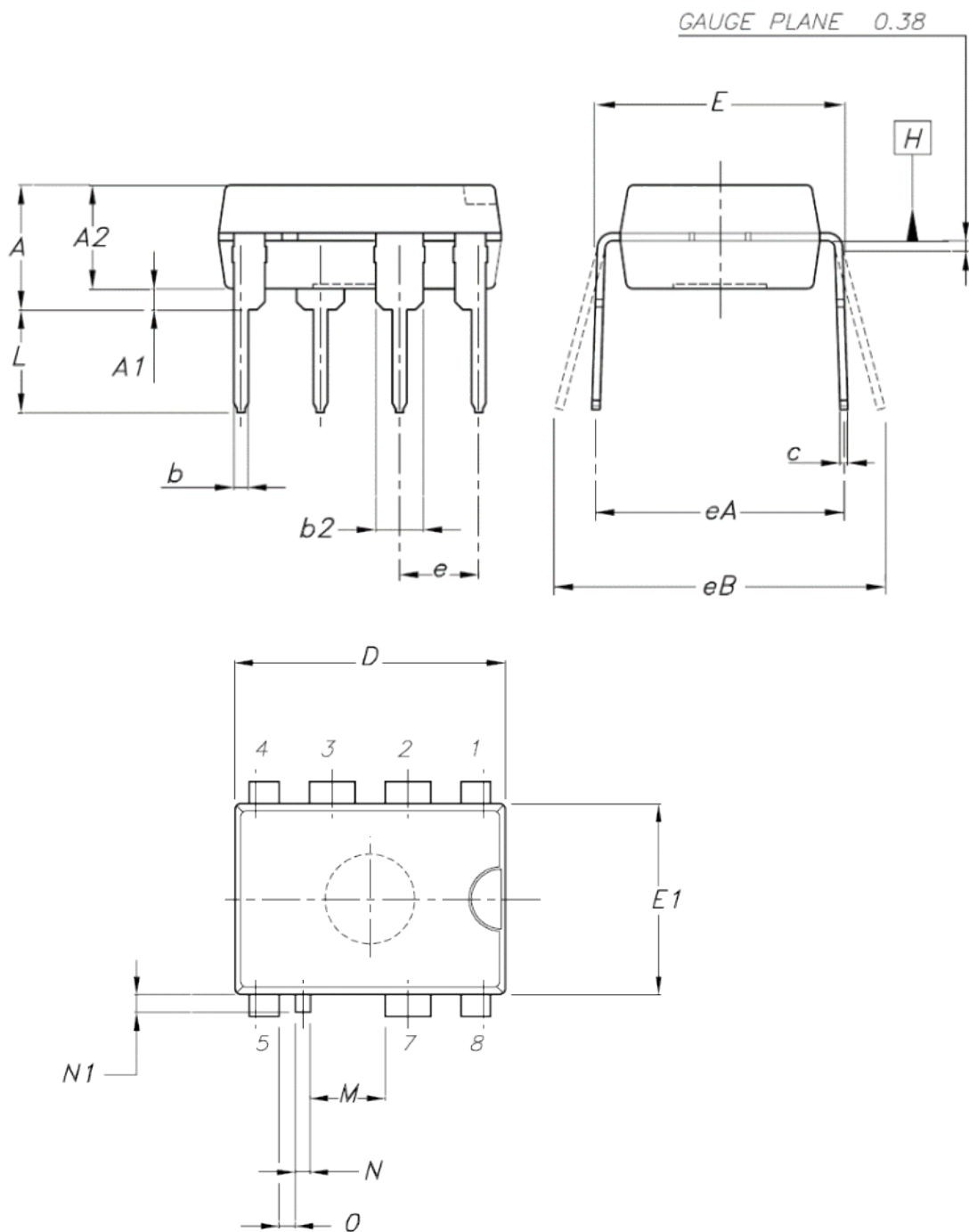
**Figure 31. FB pin connection for isolated fly-back**


## 14 Package information

In order to meet environmental requirements, ST offers these devices in different grades of **ECOPACK** packages, depending on their level of environmental compliance. ECOPACK specifications, grade definitions and product status are available at: [www.st.com](http://www.st.com). ECOPACK is an ST trademark.

### 14.1 DIP-7 package information

Figure 32. DIP-7 package outline

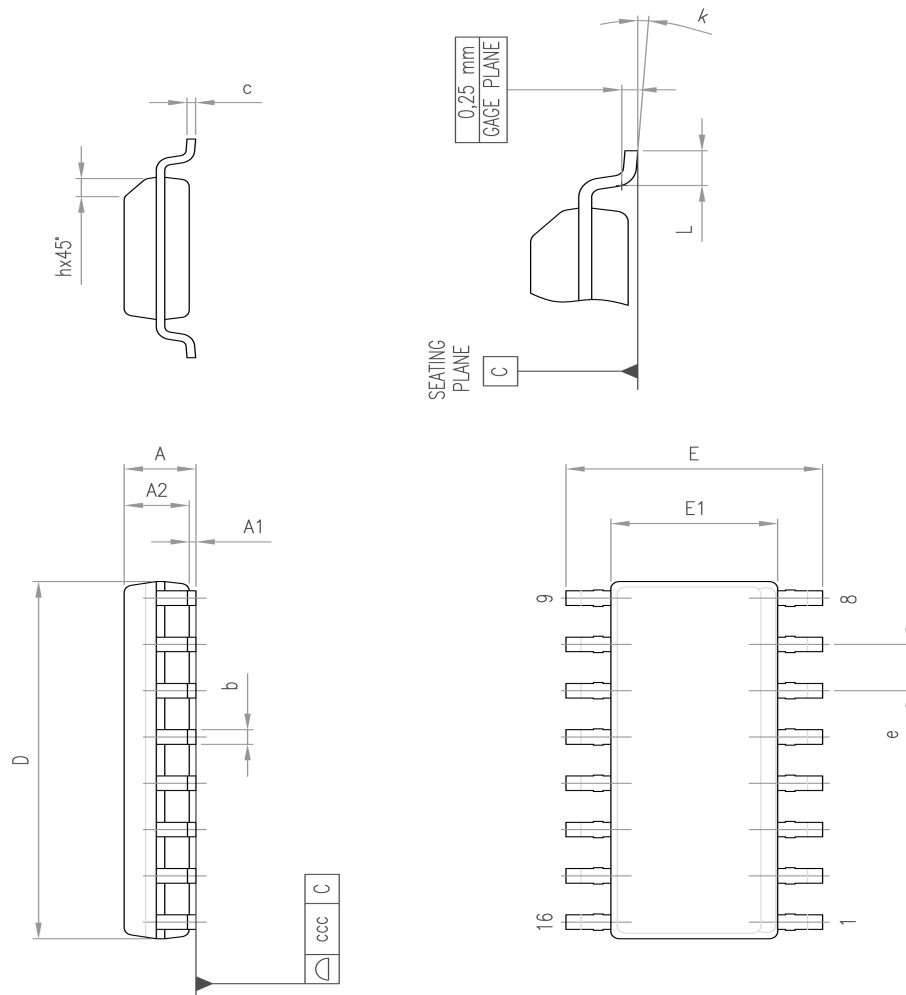



**Table 9. DIP-7 package mechanical data**

| Dim. | mm   |       |       | Notes |
|------|------|-------|-------|-------|
|      | Min. | Typ.  | Max.  |       |
| A    | -    | -     | 5.33  | -     |
| A1   | 0.38 | -     | -     | -     |
| A2   | 2.92 | 3.30  | 4.95  | -     |
| b    | 0.36 | 0.46  | 0.56  | -     |
| b2   | 1.14 | 1.52  | 1.78  | -     |
| c    | 0.20 | 0.25  | 0.36  | -     |
| D    | 9.02 | 9.27  | 10.16 | -     |
| E    | 7.62 | 7.87  | 8.26  | -     |
| E1   | 6.10 | 6.35  | 7.11  | -     |
| e    | -    | 2.54  | -     | -     |
| eA   | -    | 7.62  | -     | -     |
| eB   | -    | -     | 10.92 | -     |
| L    | 2.92 | 3.30  | 3.81  | -     |
| M    | -    | 2.508 | -     | 6 - 8 |
| N    | 0.40 | 0.50  | 0.60  | -     |
| N1   | -    | -     | 0.60  | -     |
| O    | -    | 0.548 | -     | 7 - 8 |

## 14.2 SO16 narrow package information

Figure 33. SO16 narrow package outline




**Table 10. SO16 narrow mechanical data**

| Dim. | mm   |      |      |
|------|------|------|------|
|      | Min. | Typ. | Max. |
| A    |      |      | 1.75 |
| A1   | 0.1  |      | 0.25 |
| A2   | 1.25 |      |      |
| b    | 0.31 |      | 0.51 |
| c    | 0.17 |      | 0.25 |
| D    | 9.8  | 9.9  | 10   |
| E    | 5.8  | 6    | 6.2  |
| E1   | 3.8  | 3.9  | 4    |
| e    |      | 1.27 |      |
| h    | 0.25 |      | 0.5  |
| L    | 0.4  |      | 1.27 |
| k    | 0    |      | 8    |
| ccc  |      |      | 0.1  |



## 15 Order code

**Table 11. Order code**

| Order code  | Package | Packing       |
|-------------|---------|---------------|
| VIPER26LN   | DIP-7   | Tube          |
| VIPER26HN   |         |               |
| VIPER26HD   | SO16N   | Tube          |
| VIPER26HDTR |         | Tape and reel |
| VIPER26LD   |         | Tube          |
| VIPER26LDTR |         | Tape and reel |



## Revision history

**Table 12. Document revision history**

| Date        | Version | Changes                                                                                                                                                                                                                                                                                                                                                                                                                                                                                                                                                                                                                                                                                                                                                                                                                                                                                                                                                                                                                                                                                                                                                                                                                                                                                                                                                                                              |
|-------------|---------|------------------------------------------------------------------------------------------------------------------------------------------------------------------------------------------------------------------------------------------------------------------------------------------------------------------------------------------------------------------------------------------------------------------------------------------------------------------------------------------------------------------------------------------------------------------------------------------------------------------------------------------------------------------------------------------------------------------------------------------------------------------------------------------------------------------------------------------------------------------------------------------------------------------------------------------------------------------------------------------------------------------------------------------------------------------------------------------------------------------------------------------------------------------------------------------------------------------------------------------------------------------------------------------------------------------------------------------------------------------------------------------------------|
| 26-Aug-2010 | 1       | Initial release.                                                                                                                                                                                                                                                                                                                                                                                                                                                                                                                                                                                                                                                                                                                                                                                                                                                                                                                                                                                                                                                                                                                                                                                                                                                                                                                                                                                     |
| 01-Sep-2010 | 2       | Updated Figure 30 on page 23.                                                                                                                                                                                                                                                                                                                                                                                                                                                                                                                                                                                                                                                                                                                                                                                                                                                                                                                                                                                                                                                                                                                                                                                                                                                                                                                                                                        |
| 11-Oct-2020 | 3       | <p>Throughout document:</p> <ul style="list-style-type: none"> <li>- updated document template</li> <li>- general reorganisation of sections</li> <li>- minor text edits</li> </ul> <p>On cover page:</p> <ul style="list-style-type: none"> <li>- updated <a href="#">Features and Description</a></li> <li>- added Product status link and Product label</li> </ul> <p>In <a href="#">Section 1 Pin settings</a>:</p> <ul style="list-style-type: none"> <li>- updated <a href="#">Table 1. Pin descriptions</a></li> </ul> <p>In <a href="#">Section 2 Electrical and thermal ratings</a>:</p> <ul style="list-style-type: none"> <li>- updated <a href="#">Table 3. Thermal data</a></li> <li>- added <a href="#">Figure 2. R<sub>th</sub> versus area</a> and <a href="#">Table 4. Avalanche characteristics</a></li> </ul> <p>In <a href="#">Table 6. Supply section</a>:</p> <ul style="list-style-type: none"> <li>- updated <a href="#">V<sub>DRAIN_START</sub></a> and <a href="#">I<sub>DD1</sub> Max. values</a></li> </ul> <p>In <a href="#">Section 3 Typical electrical characteristics</a>:</p> <ul style="list-style-type: none"> <li>- added <a href="#">Figure 16. SOA SO16N package</a> and <a href="#">Figure 17. SOA DIP7 package</a></li> </ul> <p>In <a href="#">Section 4 Typical circuits</a>:</p> <ul style="list-style-type: none"> <li>- updated all figures</li> </ul> |



## Contents

|             |                                                                |           |
|-------------|----------------------------------------------------------------|-----------|
| <b>1</b>    | <b>Pin settings</b> .....                                      | <b>2</b>  |
| <b>2</b>    | <b>Electrical and thermal ratings</b> .....                    | <b>3</b>  |
| <b>2.1</b>  | <b>Electrical characteristics</b> .....                        | <b>4</b>  |
| <b>3</b>    | <b>Typical electrical characteristics</b> .....                | <b>7</b>  |
| <b>4</b>    | <b>Typical circuits</b> .....                                  | <b>10</b> |
| <b>4.1</b>  | Block diagram.....                                             | <b>12</b> |
| <b>4.2</b>  | Typical power.....                                             | <b>13</b> |
| <b>5</b>    | <b>Power section</b> .....                                     | <b>14</b> |
| <b>6</b>    | <b>High-voltage current generator</b> .....                    | <b>15</b> |
| <b>7</b>    | <b>Oscillator</b> .....                                        | <b>16</b> |
| <b>8</b>    | <b>Soft startup</b> .....                                      | <b>17</b> |
| <b>9</b>    | <b>Adjustable current limit set point</b> .....                | <b>18</b> |
| <b>10</b>   | <b>FB pin and COMP pin</b> .....                               | <b>19</b> |
| <b>11</b>   | <b>Burst mode</b> .....                                        | <b>21</b> |
| <b>12</b>   | <b>Automatic restart after overload or short-circuit</b> ..... | <b>22</b> |
| <b>13</b>   | <b>Open loop failure protection</b> .....                      | <b>23</b> |
| <b>14</b>   | <b>Package information</b> .....                               | <b>25</b> |
| <b>14.1</b> | DIP-7 package information.....                                 | <b>25</b> |
| <b>14.2</b> | SO16 narrow package information.....                           | <b>27</b> |
| <b>15</b>   | <b>Order code</b> .....                                        | <b>29</b> |
|             | <b>Revision history</b> .....                                  | <b>30</b> |
|             | <b>Contents</b> .....                                          | <b>31</b> |
|             | <b>List of tables</b> .....                                    | <b>32</b> |
|             | <b>List of figures</b> .....                                   | <b>33</b> |



## List of tables

|                  |                                         |    |
|------------------|-----------------------------------------|----|
| <b>Table 1.</b>  | Pin descriptions . . . . .              | 2  |
| <b>Table 2.</b>  | Absolute maximum ratings . . . . .      | 3  |
| <b>Table 3.</b>  | Thermal data . . . . .                  | 3  |
| <b>Table 4.</b>  | Avalanche characteristics . . . . .     | 4  |
| <b>Table 5.</b>  | Power section . . . . .                 | 4  |
| <b>Table 6.</b>  | Supply section . . . . .                | 4  |
| <b>Table 7.</b>  | Controller section . . . . .            | 5  |
| <b>Table 8.</b>  | VIPer26 typical power . . . . .         | 13 |
| <b>Table 9.</b>  | DIP-7 package mechanical data . . . . . | 26 |
| <b>Table 10.</b> | SO16 narrow mechanical data . . . . .   | 28 |
| <b>Table 11.</b> | Order code . . . . .                    | 29 |
| <b>Table 12.</b> | Document revision history . . . . .     | 30 |



## List of figures

|                   |                                                                           |    |
|-------------------|---------------------------------------------------------------------------|----|
| <b>Figure 1.</b>  | Connection diagram (top view) . . . . .                                   | 2  |
| <b>Figure 2.</b>  | $R_{th}$ versus area. . . . .                                             | 4  |
| <b>Figure 3.</b>  | $I_{DLIM}$ vs. $T_J$ . . . . .                                            | 7  |
| <b>Figure 4.</b>  | $F_{OSC}$ vs. $T_J$ . . . . .                                             | 7  |
| <b>Figure 5.</b>  | $V_{DRAIN\_START}$ vs. $T_J$ . . . . .                                    | 7  |
| <b>Figure 6.</b>  | $H_{COMP}$ vs. $T_J$ . . . . .                                            | 7  |
| <b>Figure 7.</b>  | $G_M$ vs. $T_J$ . . . . .                                                 | 7  |
| <b>Figure 8.</b>  | $V_{REF\_FB}$ vs. $T_J$ . . . . .                                         | 7  |
| <b>Figure 9.</b>  | $I_{COMP}$ vs. $T_J$ . . . . .                                            | 8  |
| <b>Figure 10.</b> | Operating supply current (no switching) vs $T_J$ . . . . .                | 8  |
| <b>Figure 11.</b> | Operating supply current (switching) vs $T_J$ . . . . .                   | 8  |
| <b>Figure 12.</b> | $I_{DLIM}$ vs. $R_{LIM}$ . . . . .                                        | 8  |
| <b>Figure 13.</b> | Power MOSFET on-resistance vs $T_J$ . . . . .                             | 8  |
| <b>Figure 14.</b> | Power MOSFET breakdown voltage vs $T_J$ . . . . .                         | 8  |
| <b>Figure 15.</b> | Power MOSFET capacitance variation vs $V_{DS}$ . . . . .                  | 9  |
| <b>Figure 16.</b> | SOA SO16N package . . . . .                                               | 9  |
| <b>Figure 17.</b> | SOA DIP7 package. . . . .                                                 | 9  |
| <b>Figure 18.</b> | Thermal shutdown . . . . .                                                | 9  |
| <b>Figure 19.</b> | Buck converter ( $V_{OUT} > V_{DDCS_{on}}$ ) . . . . .                    | 10 |
| <b>Figure 20.</b> | Flyback converter (isolated) . . . . .                                    | 10 |
| <b>Figure 21.</b> | Flyback converter (primary regulation) . . . . .                          | 11 |
| <b>Figure 22.</b> | Flyback converter (non isolated, $V_{OUT} \geq V_{DDCS_{on}}$ ) . . . . . | 11 |
| <b>Figure 23.</b> | Flyback converter (non isolated, $V_{OUT} < V_{DDCS_{on}}$ ) . . . . .    | 12 |
| <b>Figure 24.</b> | Block diagram . . . . .                                                   | 12 |
| <b>Figure 25.</b> | Power ON and power OFF . . . . .                                          | 15 |
| <b>Figure 26.</b> | Feedback circuit . . . . .                                                | 19 |
| <b>Figure 27.</b> | COMP pin voltage versus $I_{DLIM}$ . . . . .                              | 20 |
| <b>Figure 28.</b> | Load-dependent operating modes: timing diagrams. . . . .                  | 21 |
| <b>Figure 29.</b> | Timing diagram: OLP sequence . . . . .                                    | 22 |
| <b>Figure 30.</b> | FB pin connection for non-isolated flyback . . . . .                      | 23 |
| <b>Figure 31.</b> | FB pin connection for isolated fly-back . . . . .                         | 24 |
| <b>Figure 32.</b> | DIP-7 package outline . . . . .                                           | 25 |
| <b>Figure 33.</b> | SO16 narrow package outline. . . . .                                      | 27 |

**IMPORTANT NOTICE – PLEASE READ CAREFULLY**

STMicroelectronics NV and its subsidiaries (“ST”) reserve the right to make changes, corrections, enhancements, modifications, and improvements to ST products and/or to this document at any time without notice. Purchasers should obtain the latest relevant information on ST products before placing orders. ST products are sold pursuant to ST’s terms and conditions of sale in place at the time of order acknowledgement.

Purchasers are solely responsible for the choice, selection, and use of ST products and ST assumes no liability for application assistance or the design of Purchasers’ products.

No license, express or implied, to any intellectual property right is granted by ST herein.

Resale of ST products with provisions different from the information set forth herein shall void any warranty granted by ST for such product.

ST and the ST logo are trademarks of ST. For additional information about ST trademarks, please refer to [www.st.com/trademarks](http://www.st.com/trademarks). All other product or service names are the property of their respective owners.

Information in this document supersedes and replaces information previously supplied in any prior versions of this document.

© 2020 STMicroelectronics – All rights reserved

## OUR CERTIFICATE

DiGi provide top-quality products and perfect service for customer worldwide through standardization, technological innovation and continuous improvement. DiGi through third-party certification, we stricly control the quality of products and services. Welcome your RFQ to

Email: [Info@DiGi-Electronics.com](mailto:Info@DiGi-Electronics.com)



Tel: +00 852-30501935

RFQ Email: [Info@DiGi-Electronics.com](mailto:Info@DiGi-Electronics.com)

DiGi is a global authorized distributor of electronic components.