

# VIPER50SP Datasheet



[www.digi-electronics.com](http://www.digi-electronics.com)

<https://www.DiGi-Electronics.com>

DiGi Electronics Part Number	VIPER50SP-DG
Manufacturer	<a href="#">STMicroelectronics</a>
Manufacturer Product Number	VIPER50SP
Description	IC OFFLIN CONV FLBACK 5PENTAWATT
Detailed Description	Converter Offline Flyback Topology Up to 200kHz 5-PENTAWATT

This model VIPER50SP is available at DiGi Electronics.

DiGi Electronics offers a global database of semiconductor and electronic component datasheets.

We welcome your inquiries regarding pricing, lead time, or other product-related questions.

 [Request a Quote](#)

 [Datasheet Search](#)



Tel: +00 852-30501935

RFQ Email: [Info@DiGi-Electronics.com](mailto:Info@DiGi-Electronics.com)

DiGi is a global authorized distributor of electronic components.

## Purchase and inquiry

Manufacturer Product Number:

VIPER50SP

Series:

VIPER™

Output Isolation:

Isolated

Voltage - Breakdown:

620V

Voltage - Start Up:

11 V

Duty Cycle:

-

Power (Watts):

50 W

Control Features:

Frequency Control, Soft Start, Sync

Package / Case:

PowerSO-10 Exposed Bottom Pad

Mounting Type:

Surface Mount

Manufacturer:

STMicroelectronics

Product Status:

Obsolete

Internal Switch(s):

Yes

Topology:

Flyback

Voltage - Supply (Vcc/Vdd):

8V ~ 15V

Frequency - Switching:

Up to 200kHz

Fault Protection:

Current Limiting, Over Temperature

Operating Temperature:

-

Supplier Device Package:

5-PENTAWATT

Base Product Number:

VIPER50

## Environmental & Export classification

RoHS Status:

RoHS non-compliant

REACH Status:

REACH Unaffected

HTSUS:

8542.39.0001

Moisture Sensitivity Level (MSL):

1 (Unlimited)

ECCN:

EAR99

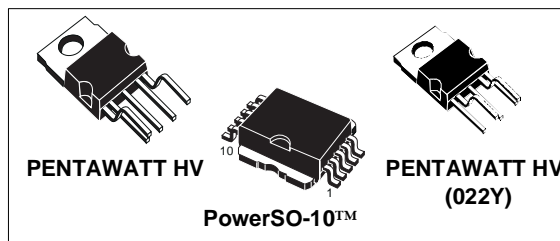


# VIPer50/SP VIPer50A/ASP

## SMPS PRIMARY I.C.

TYPE	V <sub>DSS</sub>	I <sub>n</sub>	R <sub>DS(on)</sub>
VIPer50/SP	620V	1.5 A	5 Ω
VIPer50A/ASP	700V	1.5 A	5.7 Ω

- ADJUSTABLE SWITCHING FREQUENCY UP TO 200 kHz
- CURRENT MODE CONTROL
- SOFT START AND SHUT DOWN CONTROL
- AUTOMATIC BURST MODE OPERATION IN STAND-BY CONDITION ABLE TO MEET "BLUE ANGEL" NORM (<1W TOTAL POWER CONSUMPTION)
- INTERNALLY TRIMMED ZENER REFERENCE
- UNDERVOLTAGE LOCK-OUT WITH HYSTERESIS
- INTEGRATED START-UP SUPPLY
- AVALANCHE RUGGED
- OVERTEMPERATURE PROTECTION
- LOW STAND-BY CURRENT
- ADJUSTABLE CURRENT LIMITATION

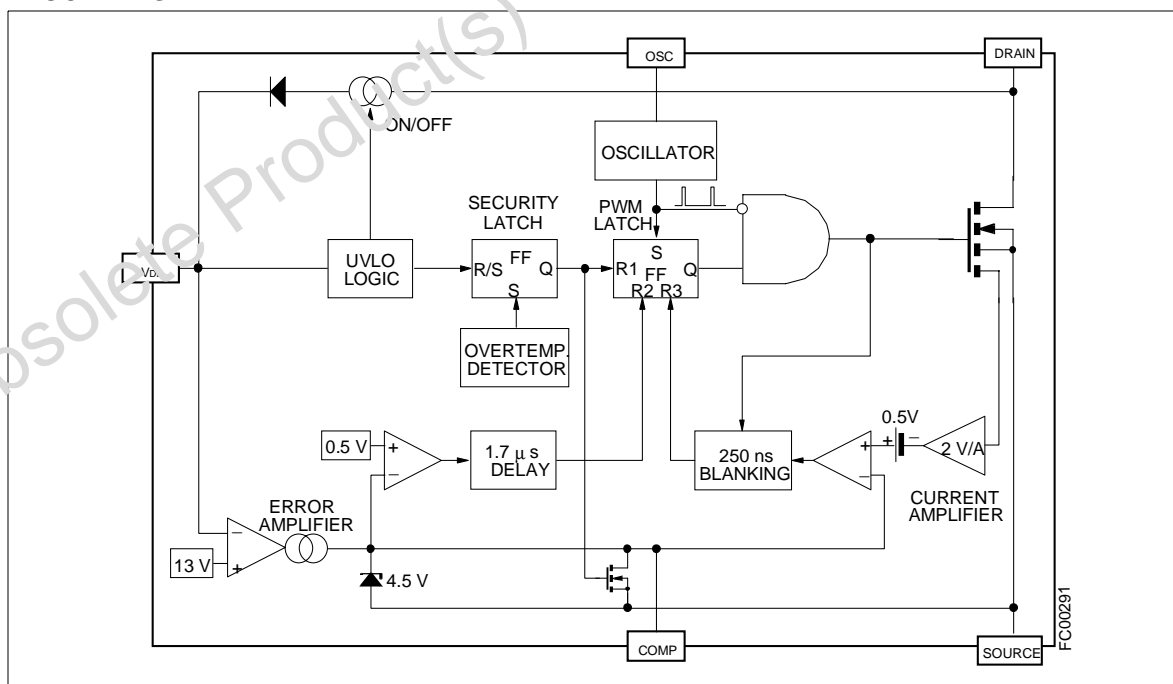


### DESCRIPTION

VIPer50™/50A, made using VIPower™ M0 Technology, combines on the same silicon chip a state-of-the-art PWM circuit together with an optimized high voltage avalanche rugged Vertical Power MOSFET (620V or 700V / 1.5A).

Typical applications cover off line power supplies with a secondary power capability of 25W in wide range condition and 30W in single range or with doubler configuration. It is compatible from both primary or secondary regulation loop despite using around 50% less components when compared with a discrete solution. Burst mode operation is an additional feature of this device, offering the possibility to operate in stand-by mode without extra components.

### BLOCK DIAGRAM



## VIPer50/SP - VIPer50A/ASP

## ABSOLUTE MAXIMUM RATING

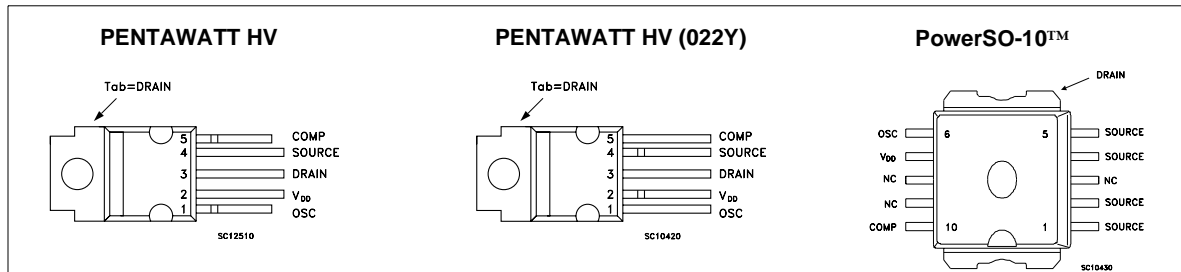
Symbol	Parameter	Value	Unit
$V_{DS}$	Continuous Drain-Source Voltage ( $T_j=25$ to $125^\circ\text{C}$ ) for <b>VIPer50/SP</b> for <b>VIPer50A/ASP</b>	-0.3 to 620	V
		-0.3 to 700	V
$I_D$	Maximum Current	Internally limited	A
$V_{DD}$	Supply Voltage	0 to 15	V
$V_{OSC}$	Voltage Range Input	0 to $V_{DD}$	V
$V_{COMP}$	Voltage Range Input	0 to 5	V
$I_{COMP}$	Maximum Continuous Current	$\pm 2$	mA
$V_{esd}$	Electrostatic Discharge ( $R = 1.5\text{k}\Omega$ ; $C = 100\text{pF}$ )	4000	V
$I_{D(AR)}$	Avalanche Drain-Source Current, Repetitive or Not Repetitive ( $T_C=100^\circ\text{C}$ ; Pulse width limited by $T_j$ max; $\delta < 1\%$ ) for <b>VIPer50/SP</b> for <b>VIPer50A/ASP</b>	1.5	A
		1	A
$P_{tot}$	Power Dissipation at $T_c=25^\circ\text{C}$	60	W
$T_j$	Junction Operating Temperature	Internally limited	$^\circ\text{C}$
$T_{stg}$	Storage Temperature	-65 to 150	$^\circ\text{C}$

## THERMAL DATA

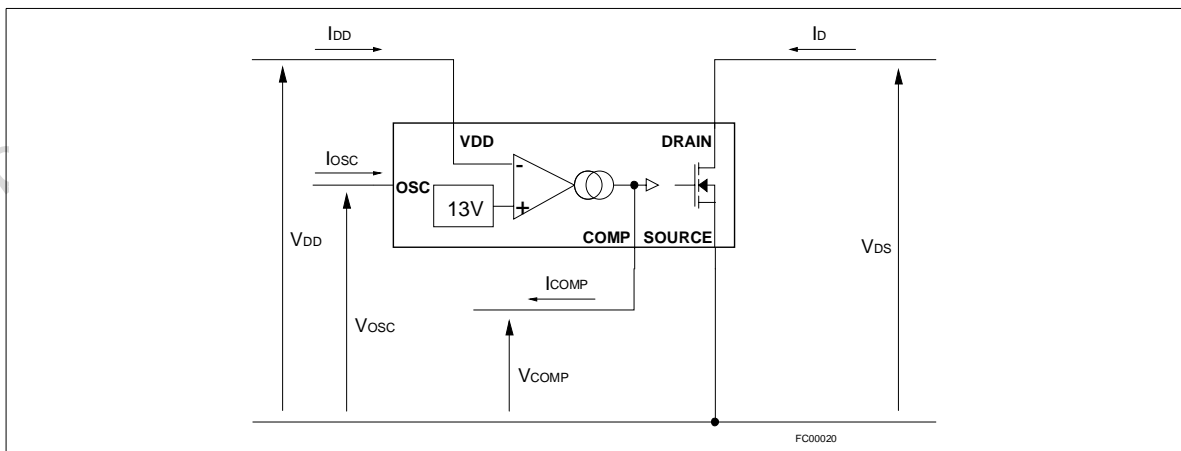
Symbol	Parameter		PENTAWATT HV	PowerSO-10™ (*)	Unit
$R_{thj-case}$	Thermal Resistance Junction-case	Max	1.9	1.9	$^\circ\text{C/W}$
$R_{thj-amb.}$	Thermal Resistance Ambient-case	Max	60	50	$^\circ\text{C/W}$

(\*) When mounted using the minimum recommended pad size on FR-4 board.

## CONNECTION DIAGRAMS (Top View)



## CURRENT AND VOLTAGE CONVENTIONS



## VIPer50/SP - VIPer50A/ASP

### ORDERING NUMBERS

PENTAWATT HV	PENTAWATT HV (022Y)	PowerSO-10™
VIPer50	VIPer50 (022Y)	VIPer50SP
VIPer50A	VIPer50A (022Y)	VIPer50ASP

### PINS FUNCTIONAL DESCRIPTION

#### DRAIN PIN:

Integrated Power MOSFET drain pin. It provides internal bias current during start-up via an integrated high voltage current source which is switched off during normal operation. The device is able to handle an unclamped current during its normal operation, assuring self protection against voltage surges, PCB stray inductance, and allowing a snubberless operation for low output power.

#### SOURCE Pin:

Power MOSFET source pin. Primary side circuit common ground connection.

#### VDD Pin:

This pin provides two functions:

- It corresponds to the low voltage supply of the control part of the circuit. If  $V_{DD}$  goes below 8V, the start-up current source is activated and the output power MOSFET is switched off until the  $V_{DD}$  voltage reaches 11V. During this phase, the internal current consumption is reduced, the  $V_{DD}$  pin sources a current of about 2mA and the COMP pin is shorted to ground. After that, the current source is shut down, and the device tries to start up by switching again.
- This pin is also connected to the error amplifier, in order to allow primary as well as secondary regulation configurations. In case of primary regulation, an internal 13V trimmed reference voltage is used to maintain  $V_{DD}$  at 13V. For secondary regulation, a voltage between 8.5V and 12.5V will be put on  $V_{DD}$  pin by transformer design, in order to stick the output of the transconductance amplifier to the high state. The COMP pin behaves as a constant current

source, and can easily be connected to the output of an optocoupler. Note that any overvoltage due to regulation loop failure is still detected by the error amplifier through the  $V_{DD}$  voltage, which cannot overpass 13V. The output voltage will be somewhat higher than the nominal one, but still under control.

#### COMP PIN:

This pin provides two functions:

- It is the output of the error transconductance amplifier, and allows for the connection of a compensation network to provide the desired transfer function of the regulation loop. Its bandwidth can easily be adjusted to the needed value with usual components value. As stated above, secondary regulation configurations are also implemented through the COMP pin.
- When the COMP voltage goes below 0.5V, the shut-down of the circuit occurs, with a zero duty cycle for the power MOSFET. This feature can be used to switch off the converter, and is automatically activated by the regulation loop (whatever is the configuration) to provide a burst mode operation in case of negligible output power or open load condition.

#### OSC PIN:

An  $R_t$ - $C_t$  network must be connected on that pin to define the switching frequency. Note that despite the connection of  $R_t$  to  $V_{DD}$ , no significant frequency change occurs for  $V_{DD}$  varying from 8V to 15V. It also provides a synchronization capability, when connected to an external frequency source.

## VIPer50/SP - VIPer50A/ASP

## AVALANCHE CHARACTERISTICS

Symbol	Parameter	Max Value	Unit
$I_{D(AR)}$	Avalanche Current, Repetitive or Not Repetitive (pulse width limited by $T_j$ max; $\delta < 1\%$ ) for <b>VIPer50/SP</b> for <b>VIPer50A/ASP</b> (see fig.12)	1.5	A
		1.0	A
$E_{(ar)}$	Single Pulse Avalanche Energy (starting $T_j = 25^\circ\text{C}$ , $I_D = I_{D(ar)}$ ) (see fig.12)	30	mJ

ELECTRICAL CHARACTERISTICS ( $T_j = 25^\circ\text{C}$ ;  $V_{DD} = 13\text{V}$ , unless otherwise specified)

## POWER SECTION

Symbol	Parameter	Test Conditions	Min	Typ	Max	Unit
$BV_{DSS}$	Drain-Source Voltage	$I_D = 1\text{mA}$ ; $V_{COMP} = 0\text{V}$ for <b>VIPer50/SP</b> for <b>VIPer50A/ASP</b> (see fig.5)	620 700			V V
$I_{DSS}$	Off-State Drain Current	$V_{COMP} = 0\text{V}$ ; $T_j = 125^\circ\text{C}$ $V_{DS} = 620\text{V}$ for <b>VIPer50/SP</b> $V_{DS} = 700\text{V}$ for <b>VIPer50A/ASP</b>			1 1	mA mA
$R_{DS(on)}$	Static Drain-Source On Resistance	$I_D = 1\text{A}$ for <b>VIPer50/SP</b> for <b>VIPer50A/ASP</b> $I_D = 1\text{A}$ ; $T_j = 100^\circ\text{C}$ for <b>VIPer50/SP</b> for <b>VIPer50A/ASP</b>		4.0 4.6	5.0 5.7	$\Omega$ $\Omega$
					9.0 10.3	$\Omega$ $\Omega$
$t_f$	Fall Time	$I_D = 0.2\text{A}$ ; $V_{IN} = 300\text{V}$ (1) (See fig. 3)		100		ns
$t_r$	Rise Time	$I_D = 1\text{A}$ ; $V_{IN} = 300\text{V}$ (1) (See fig. 3)		50		ns
$C_{OSS}$	Output Capacitance	$V_{DS} = 25\text{V}$		120		pF

(1) On Inductive Load, Clamped.

## SUPPLY SECTION

Symbol	Parameter	Test Conditions	Min	Typ	Max	Unit
$I_{DDch}$	Start-Up Charging Current	$V_{DD} = 5\text{V}$ ; $V_{DS} = 35\text{V}$ (see fig. 2 and fig. 15)		-2		mA
$I_{DD0}$	Operating Supply Current	$V_{DD} = 12\text{V}$ ; $F_{sw} = 0\text{kHz}$ (see fig. 2)		12	16	mA
$I_{DD1}$	Operating Supply Current	$V_{DD} = 12\text{V}$ ; $F_{sw} = 100\text{kHz}$		14		mA
$I_{DD2}$	Operating Supply Current	$V_{DD} = 12\text{V}$ ; $F_{sw} = 200\text{kHz}$		16		mA
$V_{DDoff}$	Undervoltage Shutdown	(See fig. 2)	7.5	8	9	V
$V_{DDon}$	Undervoltage Reset	(See fig. 2)		11	12	V
$V_{DDhyst}$	Hysteresis Start-up	(See fig. 2)	2.4	3		V

## VIPer50/SP - VIPer50A/ASP

## ELECTRICAL CHARACTERISTICS (continued)

## OSCILLATOR SECTION

Symbol	Parameter	Test Conditions	Min	Typ	Max	Unit
$F_{SW}$	Oscillator Frequency Total Variation	$R_t=8.2K\Omega$ ; $C_t=2.4nF$ $V_{DD}=9$ to $15V$ ; with $R_t\pm 1\%$ ; $C_t\pm 5\%$ (see fig. 6 and fig. 9)	90	100	110	kHz
$V_{OSCIh}$	Oscillator Peak Voltage			7.1		V
$V_{OSCIl}$	Oscillator Valley Voltage			3.7		V

## ERROR AMPLIFIER SECTION

Symbol	Parameter	Test Conditions	Min	Typ	Max	Unit
$V_{DDreg}$	$V_{DD}$ Regulation Point	$I_{COMP}=0mA$ (see fig. 1)	12.6	13	13.4	V
$\Delta V_{DDreg}$	Total Variation	$T_j=0$ to $100^\circ C$		2		%
$G_{BW}$	Unity Gain Bandwidth	From Input = $V_{DD}$ to Output = $V_{COMP}$ COMP pin is open (see fig. 10)		150		kHz
$A_{VOL}$	Open Loop Voltage Gain	COMP pin is open (see fig. 10)	45	52		dB
$G_m$	DC Transconductance	$V_{COMP}=2.5V$ (see fig. 1)	1.1	1.5	1.9	mA/V
$V_{COMPLO}$	Output Low Level	$I_{COMP}=-400\mu A$ ; $V_{DD}=14V$		0.2		V
$V_{COMPHI}$	Output High Level	$I_{COMP}=400\mu A$ ; $V_{DD}=12V$		4.5		V
$I_{COMPLO}$	Output Low Current Capability	$V_{COMP}=2.5V$ ; $V_{DD}=14V$		-600		$\mu A$
$I_{COMPHI}$	Output High Current Capability	$V_{COMP}=2.5V$ ; $V_{DD}=12V$		600		$\mu A$

## PWM COMPARATOR SECTION

Symbol	Parameter	Test Conditions	Min	Typ	Max	Unit
$H_{ID}$	$\Delta V_{COMP} / \Delta I_{DPEAK}$	$V_{COMP}=1$ to $3V$	1.4	2	2.6	V/A
$V_{COMPoff}$	$V_{COMP}$ Offset	$I_{DPEAK}=10mA$		0.5		V
$I_{Dpeak}$	Peak Current Limitation	$V_{DD}=12V$ ; COMP pin open	1.5	2	2.7	A
$t_d$	Current Sense Delay to Turn-Off	$I_D=0.5A$		250		ns
$t_b$	Blanking Time			250	360	ns
$t_{on(min)}$	Minimum On Time			350	1200	ns

## SHUTDOWN AND OVERTEMPERATURE SECTION

Symbol	Parameter	Test Conditions	Min	Typ	Max	Unit
$V_{COMPth}$	Restart Threshold	(see fig. 4)		0.5		V
$t_{DISsu}$	Disable Set Up Time	(see fig. 4)		1.7	5	$\mu s$
$T_{tsd}$	Thermal Shutdown Temperature	(See fig. 8)	140	170		$^\circ C$
$T_{hyst}$	Thermal Shutdown Hysteresis	(See fig. 8)		40		$^\circ C$

VIPer50/SP - VIPer50A/ASP

Figure 1:  $V_{DD}$  Regulation Point

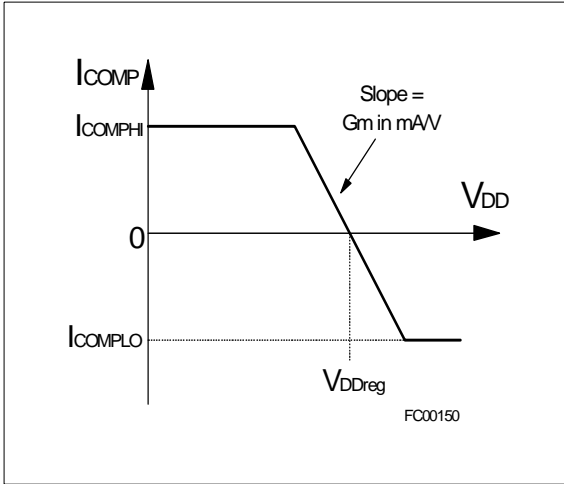


Figure 2: Undervoltage Lockout

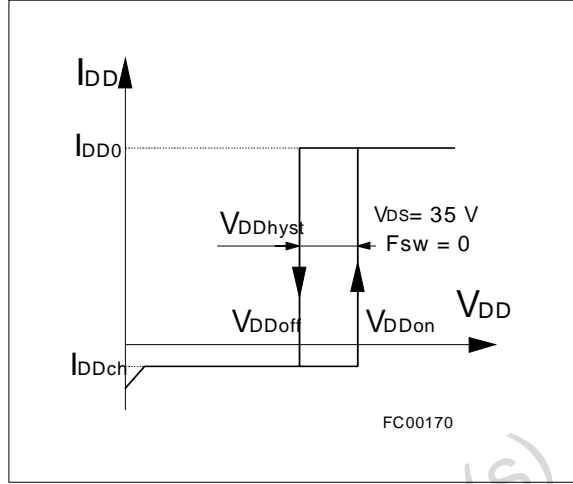


Figure 3: Transition Time

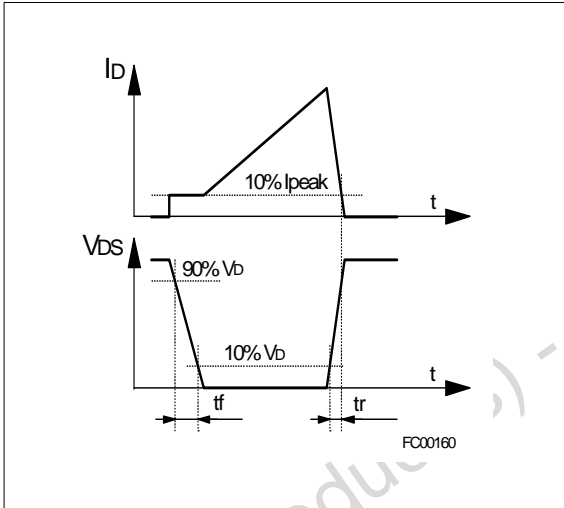


Figure 4: Shut Down Action

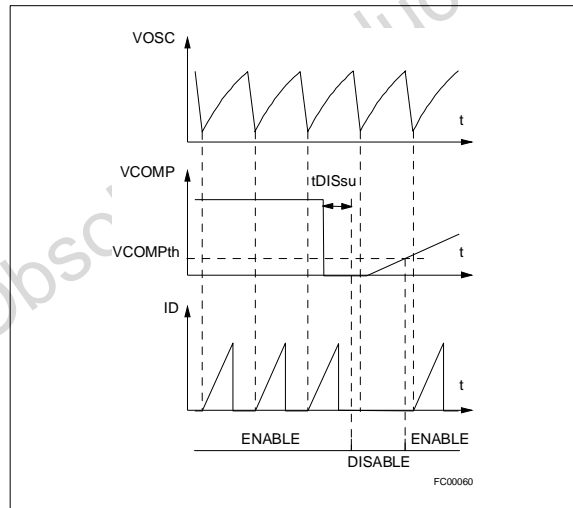


Figure 5: Breakdown Voltage Vs. Temperature

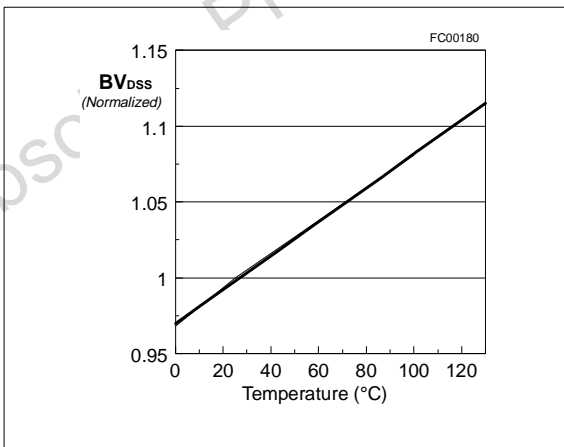
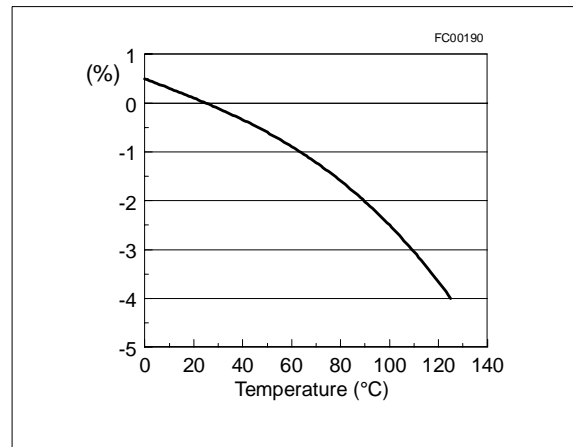


Figure 6: Typical Frequency Variation



## VIPer50/SP - VIPer50A/ASP

Figure 7: Start-Up Waveforms

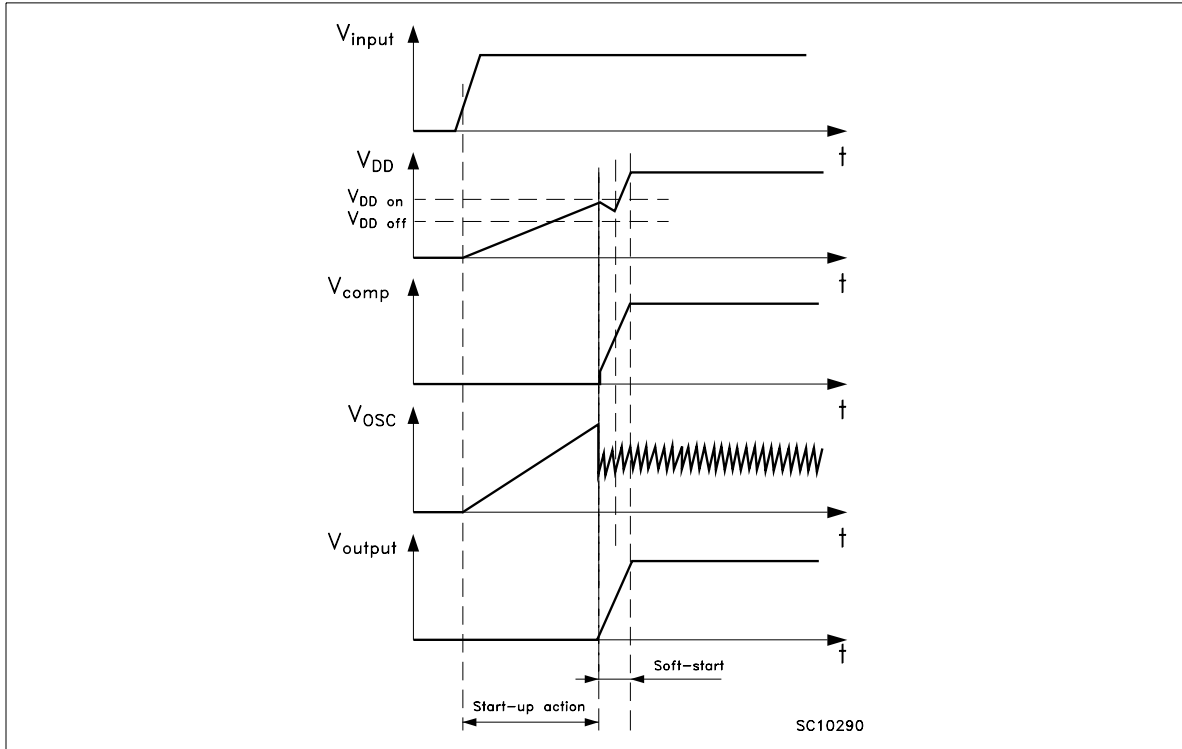
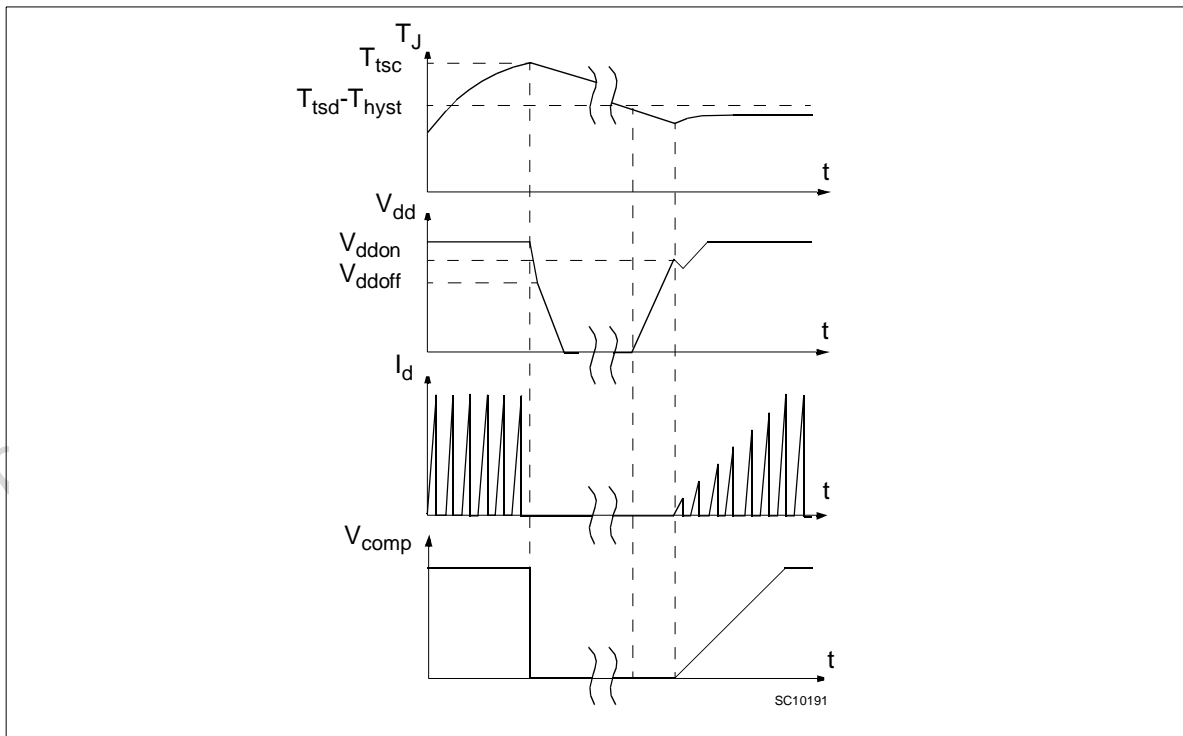
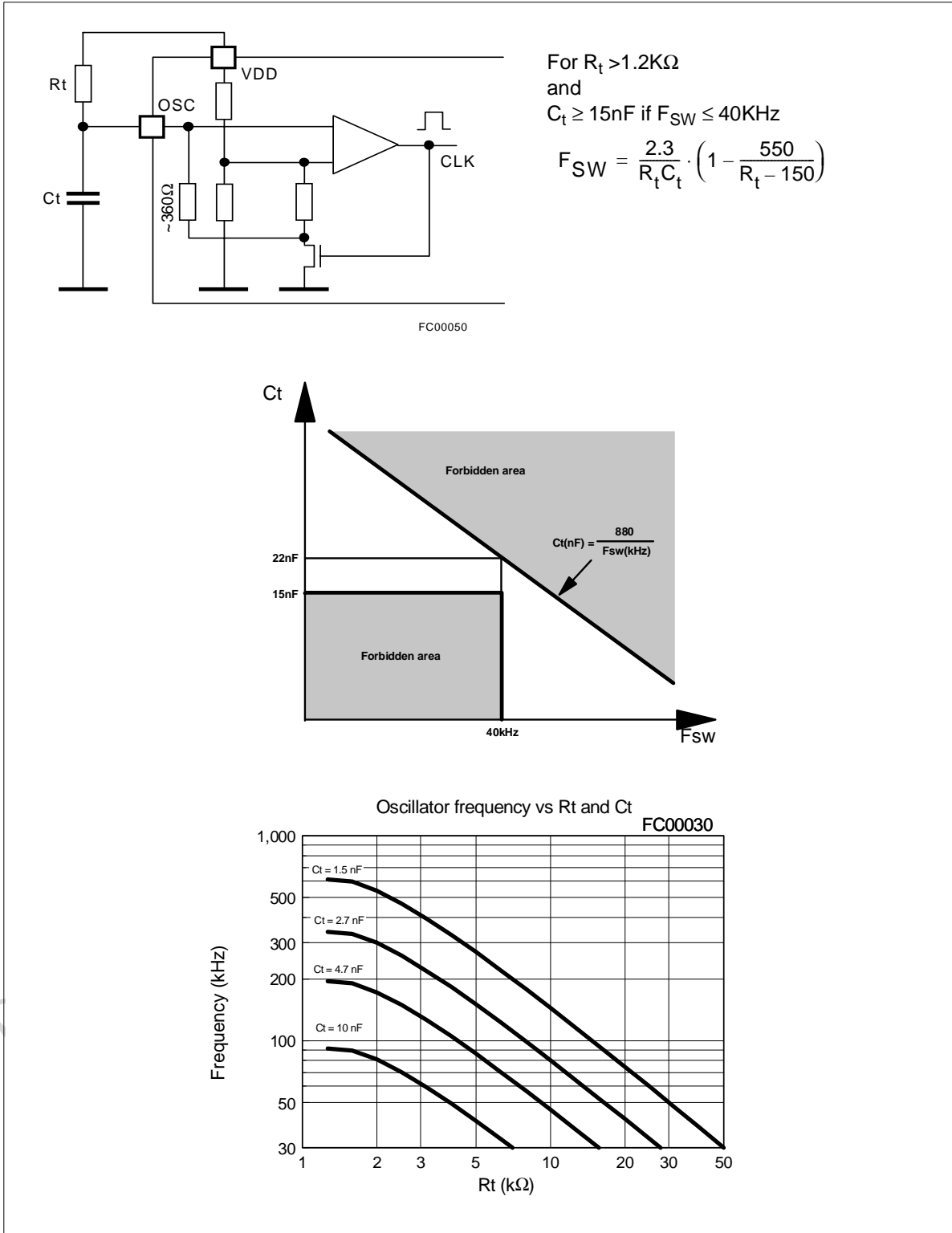


Figure 8: Overtemperature Protection



VIPer50/SP - VIPer50A/ASP

Figure 9: Oscillator



## VIPer50/SP - VIPer50A/ASP

Figure 10: Error Amplifier Frequency Response

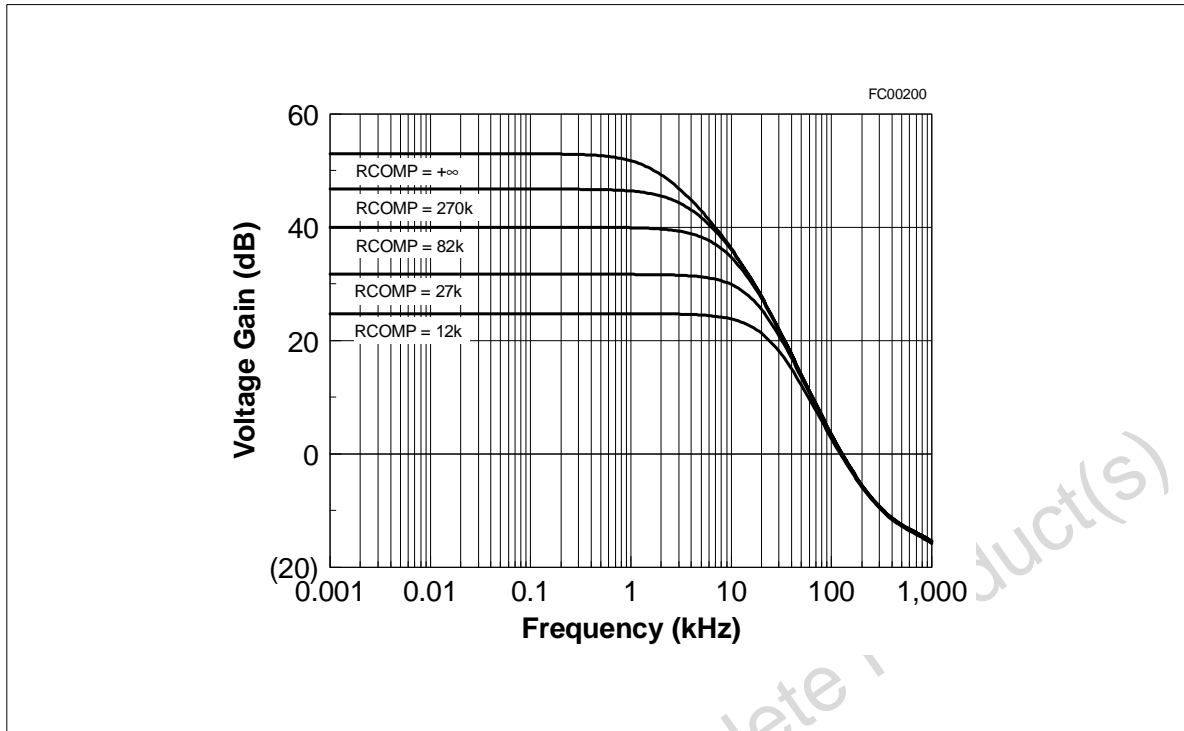
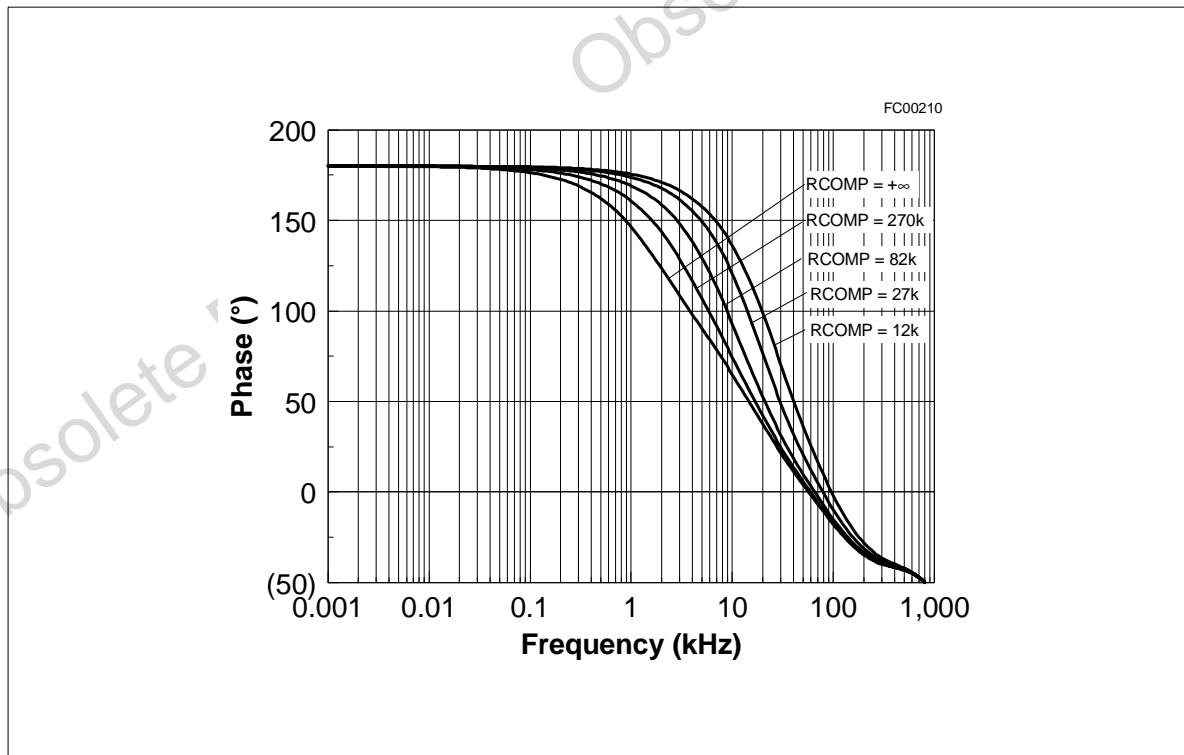
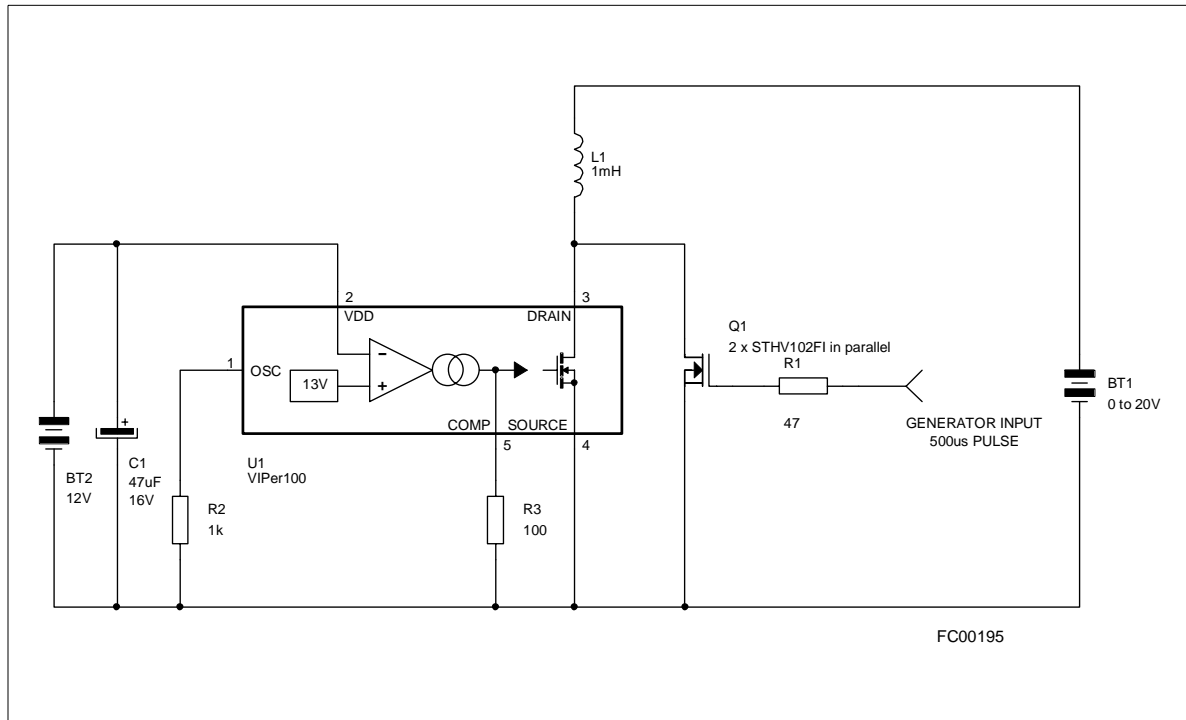


Figure 11: Error Amplifier Phase Response



## VIPer50/SP - VIPer50A/ASP

Figure 12: Avalanche Test Circuit





## VIPer50/SP - VIPer50A/ASP

### OPERATION DESCRIPTION:

#### CURRENT MODE TOPOLOGY

The current mode control method, like the one integrated in the VIPer50/50A uses two control loops - an inner current control loop and an outer loop for voltage control. When the Power MOSFET output transistor is on, the inductor current (primary side of the transformer) is monitored with a SenseFET technique and converted into a voltage  $V_S$  proportional to this current. When  $V_S$  reaches  $V_{COMP}$  (the amplified output voltage error) the power switch is switched off. Thus, the outer voltage control loop defines the level at which the inner loop regulates peak current through the power switch and the primary winding of the transformer.

Excellent D.C. open loop and dynamic line regulation is ensured due to the inherent input voltage feedforward characteristic of the current mode control. This results in an improved line regulation, instantaneous correction to line changes and better stability for the voltage regulation loop.

Current mode topology also ensures good limitation in the case of short circuit. During the first phase the output current increases slowly following the dynamic of the regulation loop. Then it reaches the maximum limitation current internally set and finally stops because the power supply on  $V_{DD}$  is no longer correct. For specific applications the maximum peak current internally set can be overridden by limiting the voltage excursion externally on the COMP pin. An integrated blanking filter inhibits the PWM comparator output for a short time after the integrated Power MOSFET is switched on. This function prevents anomalous or premature termination of the switching pulse in the case of current spikes caused by primary side capacitance or secondary side rectifier reverse recovery time.

#### STAND-BY MODE

Stand-by operation in nearly open load condition automatically leads to a burst mode operation allowing voltage regulation on the secondary side. The transition from normal operation to burst mode operation happens for a power  $P_{STBY}$  given by:

$$P_{STBY} = \frac{1}{2} L_P I_{STBY}^2 F_{SW}$$

Where:

$L_P$  is the primary inductance of the transformer.

$F_{SW}$  is the normal switching frequency.

$I_{STBY}$  is the minimum controllable current, corresponding to the minimum on time that the device is able to provide in normal operation. This current can be computed as:

$$I_{STBY} = \frac{(t_b + t_d) V_{IN}}{L_P}$$

$t_b + t_d$  is the sum of the blanking time and of the propagation time of the internal current sense and comparator, and roughly represents the minimum on time of the device. Note that  $P_{STBY}$  may be affected by the efficiency of the converter at low load, and must include the power drawn on the primary auxiliary voltage.

As soon as the power goes below this limit, the auxiliary secondary voltage starts to increase above the 13V regulation level forcing the output voltage of the transconductance amplifier to low state ( $V_{COMP} < V_{COMPth}$ ). This situation leads to the shutdown mode where the power switch is maintained in the off state, resulting in missing cycles and zero duty cycle. As soon as  $V_{DD}$  gets back to the regulation level and the  $V_{COMPth}$  threshold is reached, the device operates again. The above cycle repeats itself indefinitely, providing a burst mode of which the effective duty cycle is much lower than the minimum one when in normal operation. The equivalent switching frequency is also lower than the normal one, leading to a reduced consumption on the input mains lines. This mode of operation allows the VIPer50/50A to meet the new German "Blue Angel" Norm with less than 1W total power consumption for the system when working in stand-by. The output voltage remains regulated around the normal level, with a low frequency ripple corresponding to the burst mode. The amplitude of this ripple is low, because of the output capacitors and because of the low output current drawn in such conditions. The normal operation resumes automatically when the power gets back levels which are higher than  $P_{STBY}$ .

#### HIGH VOLTAGE START-UP CURRENT SOURCE

An integrated high voltage current source provides a bias current from the DRAIN pin during the start-up phase. This current is partially absorbed by internal control circuits which are placed into a standby mode with reduced consumption and are also provided to the external capacitor connected to the  $V_{DD}$  pin. As soon as the voltage on this pin reaches the high voltage threshold  $V_{DDon}$  of the



## VIPer50/SP - VIPer50A/ASP

**TRANSCONDUCTANCE ERROR AMPLIFIER**

The VIPer50/50A includes a transconductance error amplifier. Transconductance  $G_m$  is the change in output current ( $I_{COMP}$ ) versus change in input voltage ( $V_{DD}$ ). Thus:

$$G_m = \frac{\partial I_{COMP}}{\partial V_{DD}}$$

The output impedance  $Z_{COMP}$  at the output of this amplifier (COMP pin) can be defined as:

$$Z_{COMP} = \frac{\partial V_{COMP}}{\partial I_{COMP}} = \frac{1}{G_m} \times \frac{\partial V_{COMP}}{\partial V_{DD}}$$

This last equation shows that the open loop gain  $A_{VOL}$  can be related to  $G_m$  and  $Z_{COMP}$ :

$$A_{VOL} = G_m \times Z_{COMP}$$

where  $G_m$  value for VIPer50/50A is 1.5 mA/V typically.

$G_m$  is well defined by specification, but  $Z_{COMP}$  and therefore  $A_{VOL}$  are subject to large tolerances. An impedance  $Z$  can be connected between the COMP pin and ground in order to define more accurately the transfer function  $F$  of the error amplifier, according to the following equation, very similar to the one above:

$$F(s) = G_m \times Z(s)$$

The error amplifier frequency response is reported in figure 10 for different values of a simple resistance connected on the COMP pin. The unloaded transconductance error amplifier shows an internal  $Z_{COMP}$  of about 330 K $\Omega$ . More complex impedance can be connected on the COMP pin to

achieve different compensation laws. A capacitor will provide an integrator function, thus eliminating the DC static error, and a resistance in series leads to a flat gain at higher frequency, insuring a correct phase margin. This configuration is illustrated in figure 18.

As shown in figure 18 an additional noise filtering capacitor of 2.2 nF is generally needed to avoid any high frequency interference.

It can also be interesting to implement a slope compensation when working in continuous mode with duty cycle higher than 50%. Figure 19 shows such a configuration. Note that R1 and C2 build the classical compensation network, and Q1 is injecting the slope compensation with the correct polarity from the oscillator sawtooth.

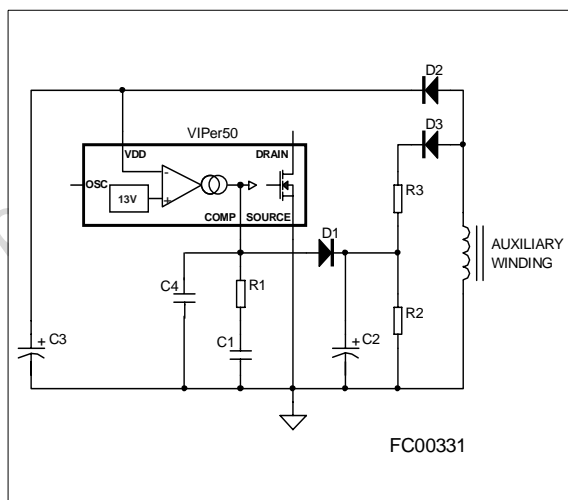
**EXTERNAL CLOCK SYNCHRONIZATION**

The OSC pin provides a synchronisation capability, when connected to an external frequency source. Figure 20 shows one possible schematic to be adapted depending on the specific needs. If the proposed schematic is used, the pulse duration must be kept at a low value (500ns is sufficient) for minimizing consumption. The optocoupler must be able to provide 20mA through the optotransistor.

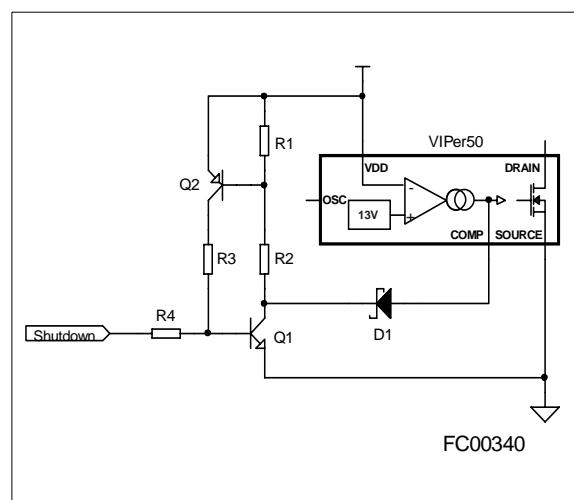
**PRIMARY PEAK CURRENT LIMITATION**

The primary  $I_{DPEAK}$  current and, as resulting effect, the output power can be limited using the simple circuit shown in figure 21. The circuit based on Q1, R1 and R2 clamps the voltage on the

**Figure 16:** Mixed Soft Start and Compensation



**Figure 17:** Latched Shut Down



## VIPer50/SP - VIPer50A/ASP

COMP pin in order to limit the primary peak current of the device to a value:

$$I_{DPEAK} = \frac{V_{COMP} - 0.5}{H_{ID}}$$

where:

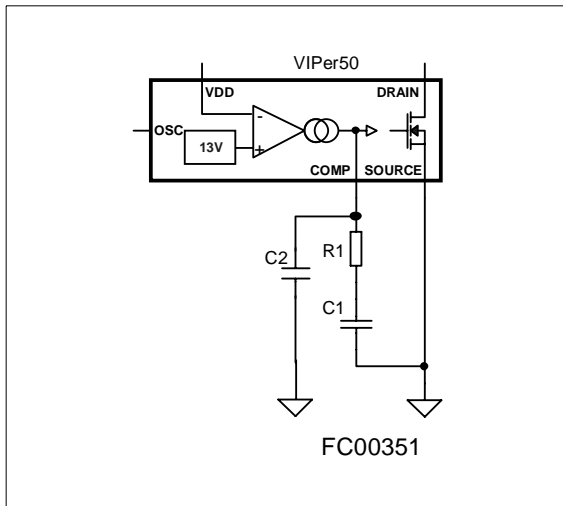
$$V_{COMP} = 0.6 \times \frac{R_1 + R_2}{R_2}$$

The suggested value for  $R_1 + R_2$  is in the range of 220K $\Omega$ .

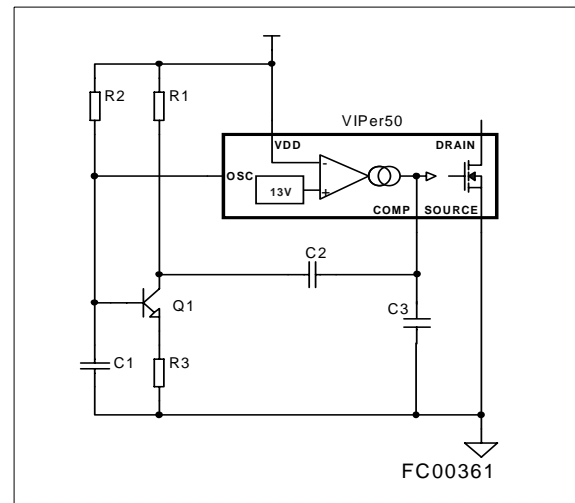
**OVER-TEMPERATURE PROTECTION:**

Over-temperature protection is based on chip temperature sensing. The minimum junction temperature at which over-temperature cut-out occurs is 140°C while the typical value is 170°C. The device is automatically restarted when the junction temperature decreases to the restart temperature threshold that is typically 40°C below the shutdown value (see figure 8).

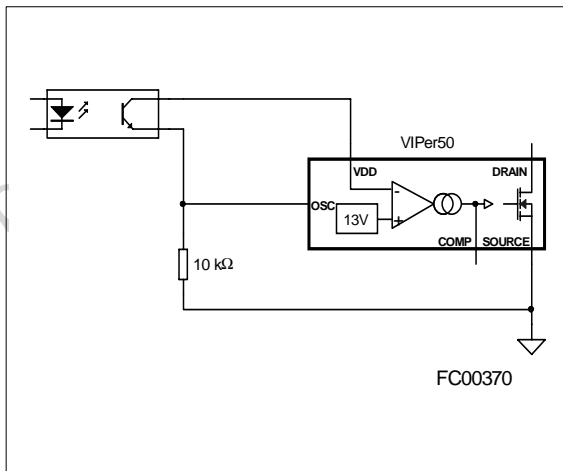
**Figure 18:** Typical Compensation Network



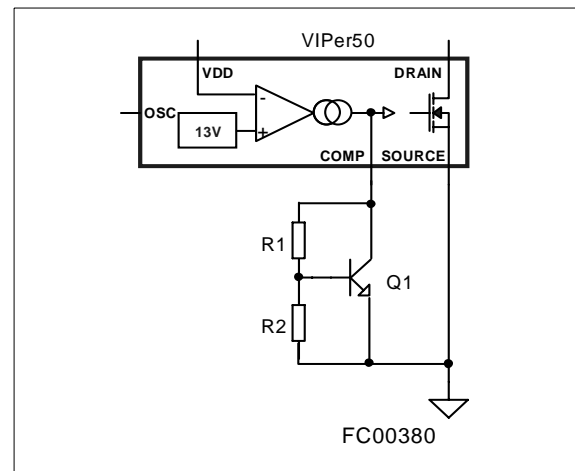
**Figure 19:** Slope Compensation

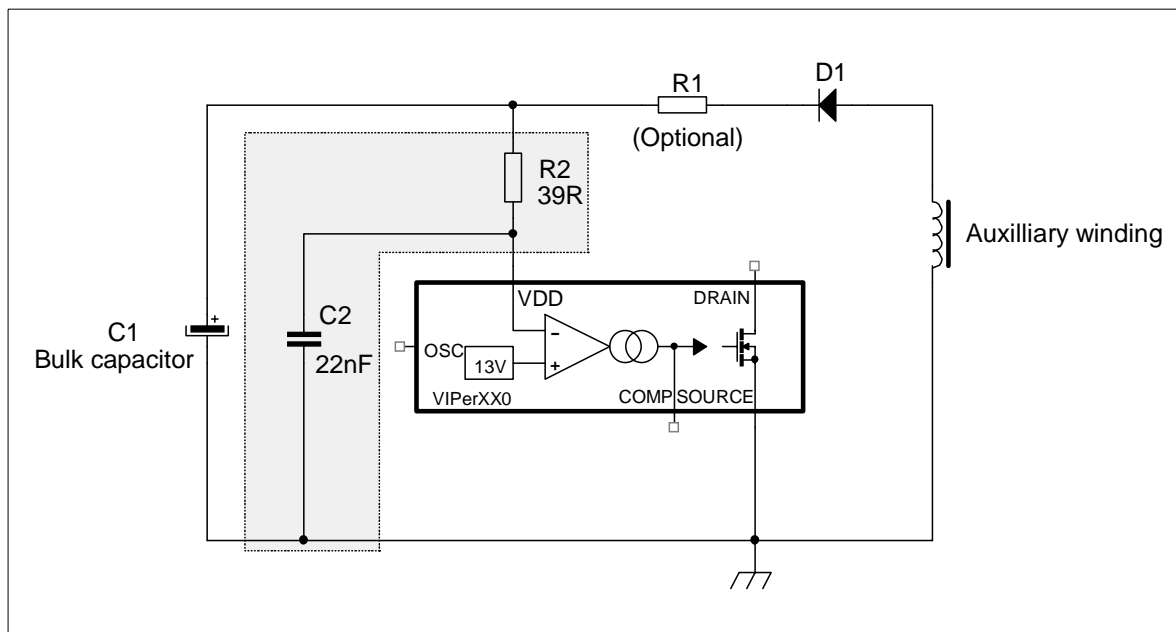


**Figure 20:** External Clock Synchronization



**Figure 21:** Current Limitation Circuit Example



**Figure 22:** Input Voltage Surges Protection**ELECTRICAL OVER STRESS RUGGEDNESS**

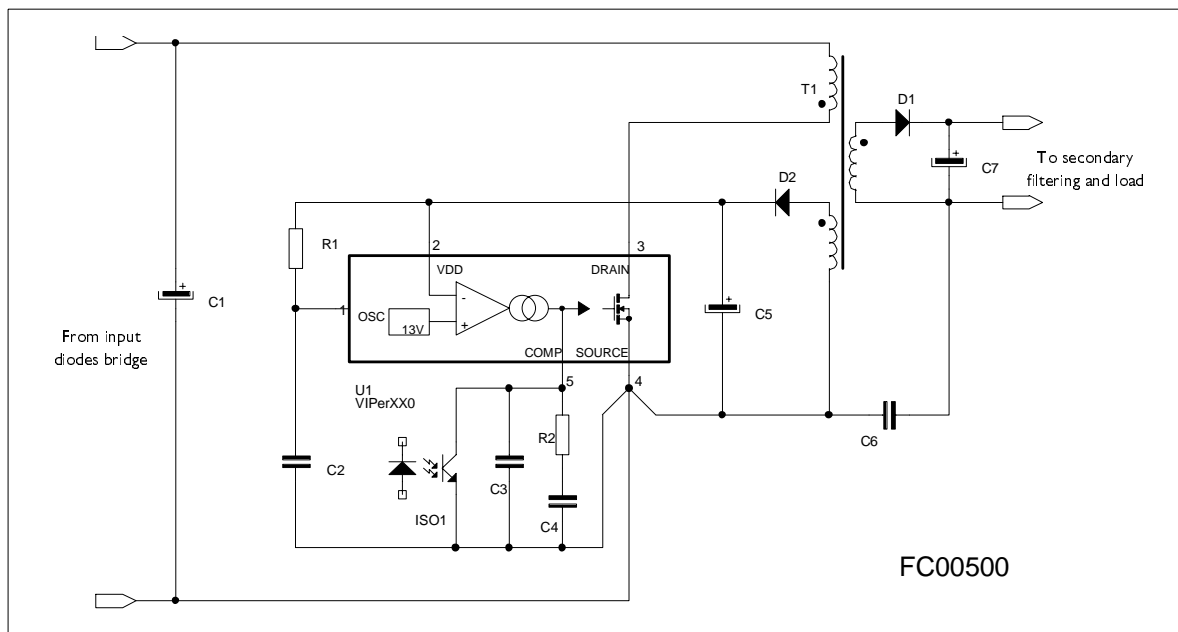
The VIPer may be submitted to electrical over stress caused by violent input voltage surges or lightning. Following the enclosed Layout Considerations chapter rules is the most of the time sufficient to prevent catastrophic damages, however in some cases the voltage surges coupled through the transformer auxiliary winding

can overpass the  $V_{DD}$  pin absolute maximum rating voltage value. Such events may trigger the  $V_{DD}$  internal protection circuitry which could be damaged by the strong discharge current of the  $V_{DD}$  bulk capacitor. The simple RC filter shown in figure 22 can be implemented to improve the application immunity to such surges.

Obsolete Product(s)

## VIPer50/SP - VIPer50A/ASP

Figure 23: Recommended Layout

**LAYOUT CONSIDERATIONS**

Some simple rules insure a correct running of switching power supplies. They may be classified into two categories:

- To minimize power loops: the way the switched power current must be carefully analyzed and the corresponding paths must present the smallest possible inner loop area. This avoids radiated EMC noises, conducted EMC noises by magnetic coupling, and provides a better efficiency by eliminating parasitic inductances, especially on secondary side.

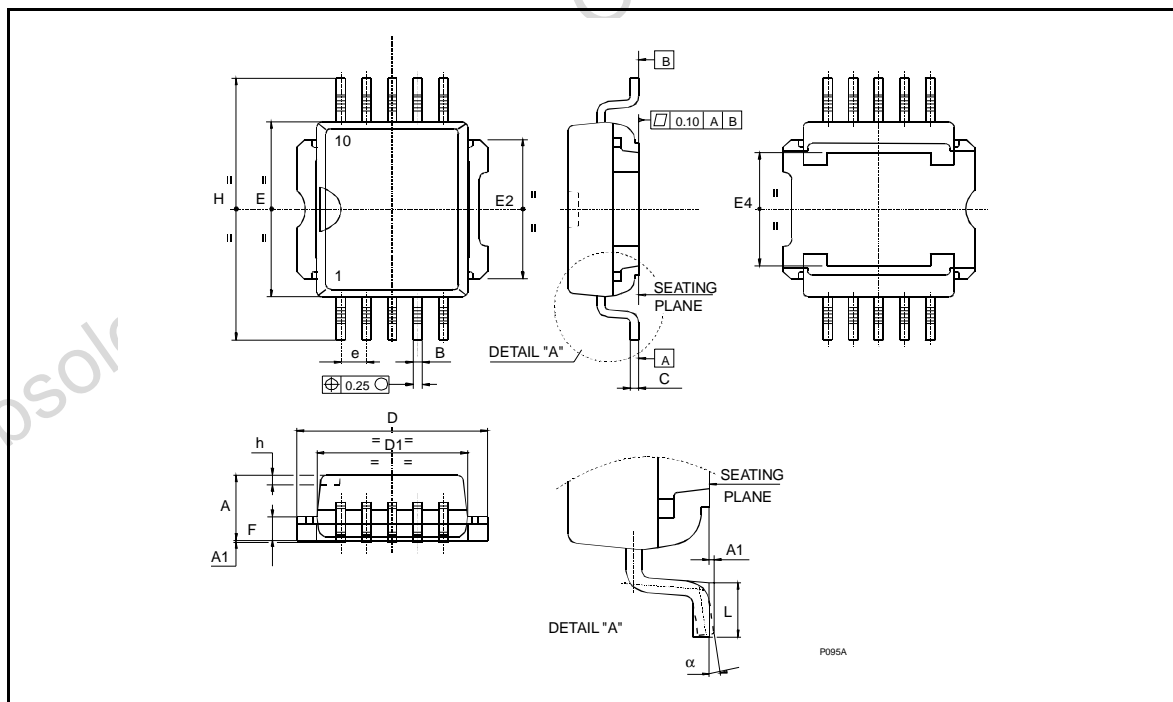
- To use different tracks for low level signals and power ones. The interferences due to a mixing of signal and power may result in instabilities and/or anomalous behavior of the device in case of violent power surge (Input overvoltages, output short circuits...).

In case of VIPer, these rules apply as shown in figure 23. The loops C1-T1-U1, C5-D2-T1, C7-D1-T1 must be minimized. C6 must be as close as possible to T1. The signal components C2, ISO1, C3 and C4 use a dedicated track to be connected directly to the source of the device.

## PowerSO-10™ MECHANICAL DATA

DIM.	mm.			inch		
	MIN.	TYP.	MAX.	MIN.	TYP.	MAX.
A	3.35		3.65	0.132		0.144
A (*)	3.4		3.6	0.134		0.142
A1	0.00		0.10	0.000		0.004
B	0.40		0.60	0.016		0.024
B (*)	0.37		0.53	0.014		0.021
C	0.35		0.55	0.013		0.022
C (*)	0.23		0.32	0.009		0.0126
D	9.40		9.60	0.370		0.378
D1	7.40		7.60	0.291		0.300
E	9.30		9.50	0.366		0.374
E2	7.20		7.60	0.283		300
E2 (*)	7.30		7.50	0.287		0.295
E4	5.90		6.10	0.232		0.240
E4 (*)	5.90		6.30	0.232		0.248
e		1.27			0.050	
F	1.25		1.35	0.049		0.053
F (*)	1.20		1.40	0.047		0.055
H	13.80		14.40	0.543		0.567
H (*)	13.85		14.35	0.545		0.565
h		0.50			0.002	
L	1.20		1.80	0.047		0.070
L (*)	0.80		1.10	0.031		0.043
$\alpha$	0°		8°	0°		8°
$\alpha$ (*)	2°		8°	2°		8°

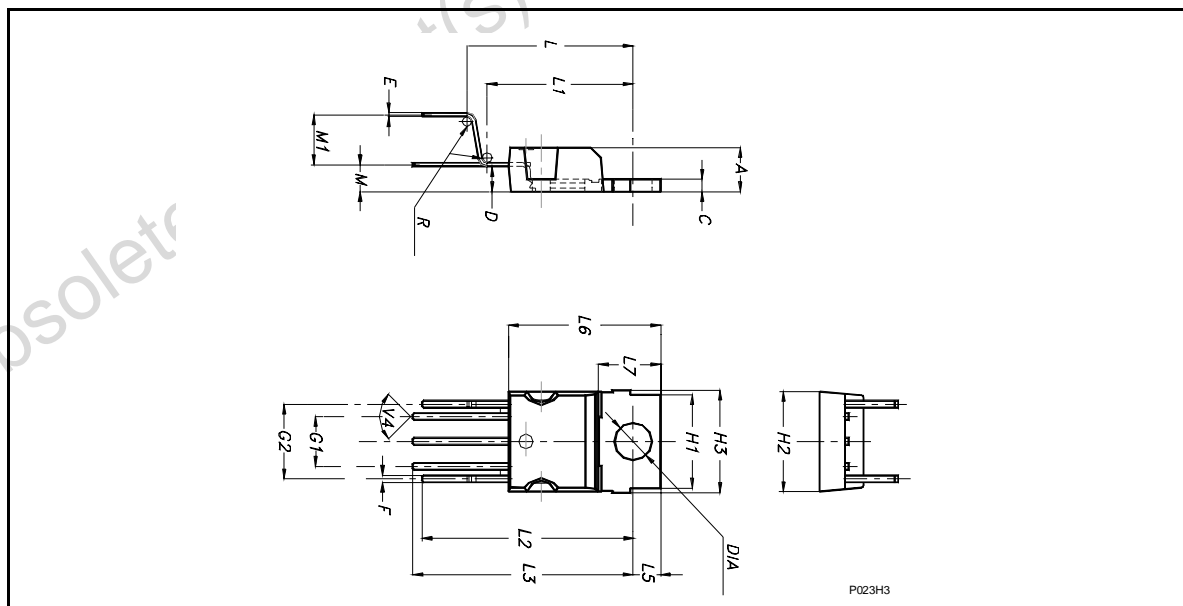
(\*) Muar only POA P013P



## VIPer50/SP - VIPer50A/ASP

## PENTAWATT HV MECHANICAL DATA

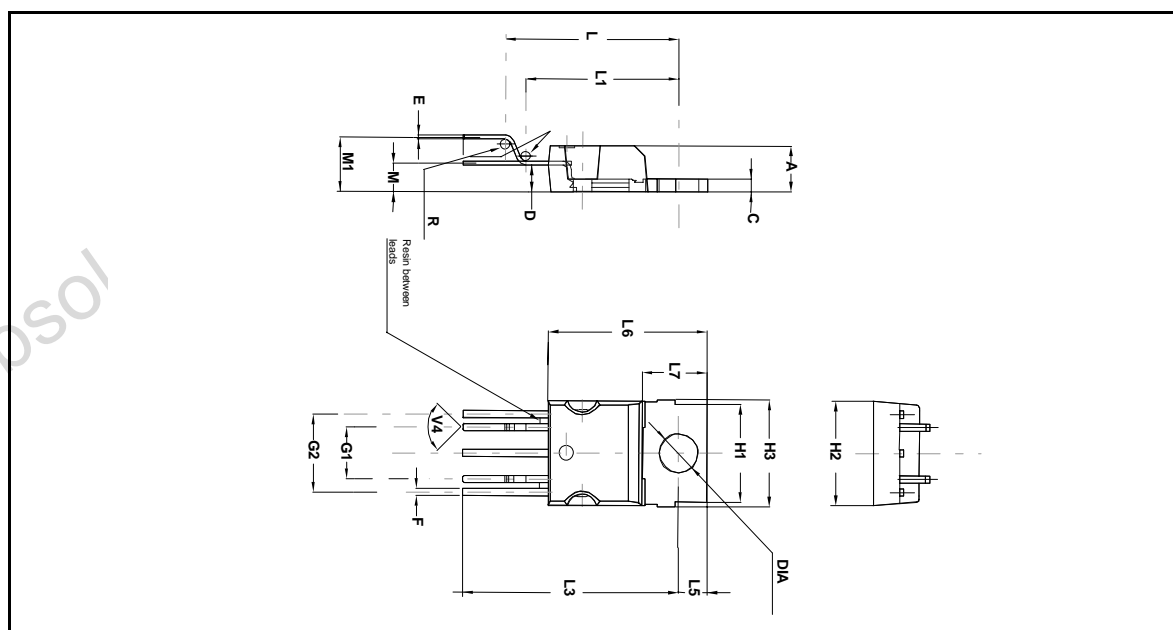
DIM.	mm.			inch		
	MIN.	TYP	MAX.	MIN.	TYP.	MAX.
A	4.30		4.80	0.169		0.189
C	1.17		1.37	0.046		0.054
D	2.40		2.80	0.094		0.11
E	0.35		0.55	0.014		0.022
F	0.60		0.80	0.024		0.031
G1	4.91		5.21	0.193		0.205
G2	7.49		7.80	0.295		0.307
H1	9.30		9.70	0.366		0.382
H2			10.40			0.409
H3		10.05	10.40		0.396	0.409
L	15.60		17.30	6.14		0.681
L1	14.60		15.22	0.575		0.599
L2	21.20		21.85	0.835		0.860
L3	22.20		22.82	0.874		0.898
L5	2.60		3	0.102		0.118
L6	15.10		15.80	0.594		0.622
L7	6		6.60	0.236		0.260
M	2.50		3.10	0.098		0.122
M1	4.50		5.60	0.177		0.220
R	0.50			0.02		
V4	90° (typ)					
Diam	3.65		3.85	0.144		0.152



## VIPer50/SP - VIPer50A/ASP

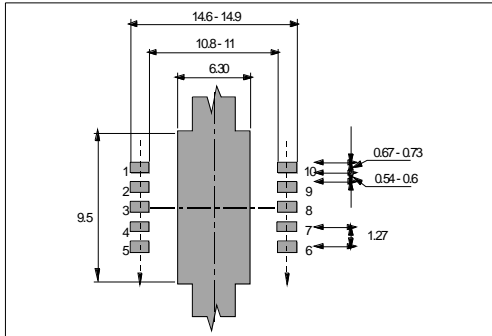
## PENTAWATT HV 022Y (VERTICAL HIGH PITCH) MECHANICAL DATA

DIM.	mm.			inch		
	MIN.	TYP.	MAX.	MIN.	TYP.	MAX.
A	4.30		4.80	0.169		0.189
C	1.17		1.37	0.046		0.054
D	2.40		2.80	0.094		0.110
E	0.35		0.55	0.014		0.022
F	0.60		0.80	0.024		0.031
G1	4.91		5.21	0.193		0.205
G2	7.49		7.80	0.295		0.307
H1	9.30		9.70	0.366		0.382
H2			10.40			0.409
H3	10.05		10.40	0.396		0.409
L	16.42		17.42	0.646		0.686
L1	14.60		15.22	0.575		0.599
L3	20.52		21.52	0.808		0.847
L5	2.60		3.00	0.102		0.118
L6	15.10		15.80	0.594		0.622
L7	6.00		6.60	0.236		0.260
M	2.50		3.10	0.098		0.122
M1	5.00		5.70	0.197		0.224
R		0.50			0.020	
V4		90°			90°	
Diam.	3.70		3.90	0.146		0.154

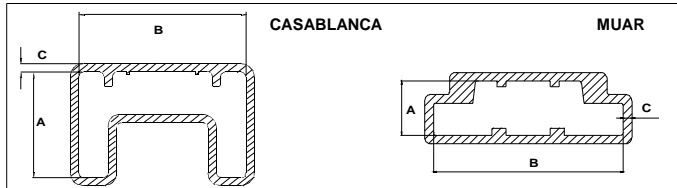


VIPer50/SP - VIPer50A/ASP

PowerSO-10™ SUGGESTED PAD LAYOUT



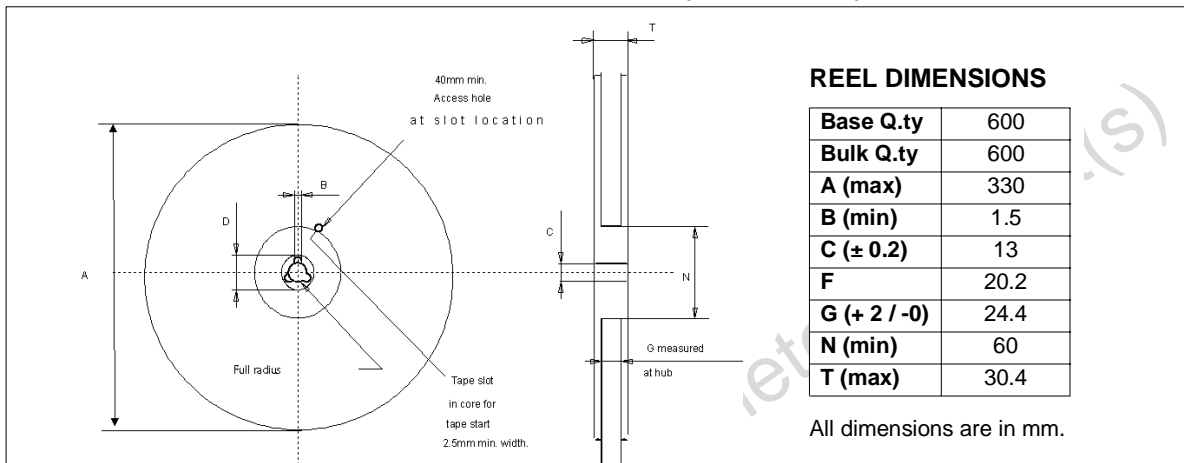
TUBE SHIPMENT (no suffix)



All dimensions are in mm.

	Base Q.ty	Bulk Q.ty	Tube length (± 0.5)	A	B	C (± 0.1)
Casablanca	50	1000	532	10.4	16.4	0.8
Muar	50	1000	532	4.9	17.2	0.8

TAPE AND REEL SHIPMENT (suffix "13TR")



REEL DIMENSIONS

Base Q.ty	600
Bulk Q.ty	600
A (max)	330
B (min)	1.5
C (± 0.2)	13
F	20.2
G (+ 2 / - 0)	24.4
N (min)	60
T (max)	30.4

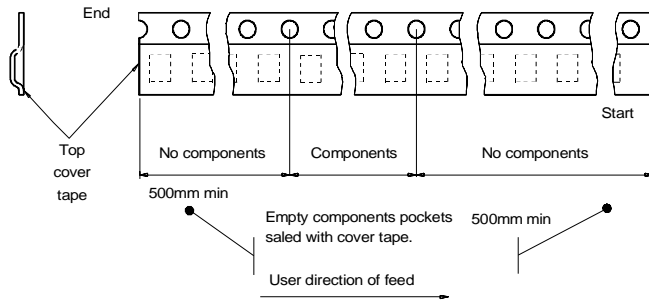
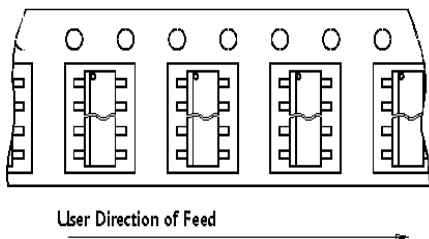
All dimensions are in mm.

TAPE DIMENSIONS

According to Electronic Industries Association (EIA) Standard 481 rev. A, Feb. 1986

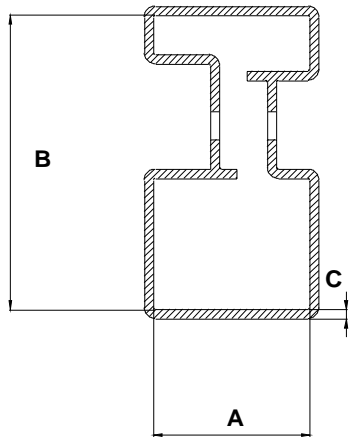
Tape width	W	24
Tape Hole Spacing	P0 (± 0.1)	4
Component Spacing	P	24
Hole Diameter	D (± 0.1/-0)	1.5
Hole Diameter	D1 (min)	1.5
Hole Position	F (± 0.05)	11.5
Compartment Depth	K (max)	6.5
Hole Spacing	P1 (± 0.1)	2

All dimensions are in mm.



## VIPer50/SP - VIPer50A/ASP

## PENTAWATT HV TUBE SHIPMENT (no suffix)



Base Q.ty	50
Bulk Q.ty	1000
Tube length ( $\pm 0.5$ )	532
A	18
B	33.1
C ( $\pm 0.1$ )	1

All dimensions are in mm.

## VIPer50/SP - VIPer50A/ASP

---

Information furnished is believed to be accurate and reliable. However, STMicroelectronics assumes no responsibility for the consequences of use of such information nor for any infringement of patents or other rights of third parties which may result from its use. No license is granted by implication or otherwise under any patent or patent rights of STMicroelectronics. Specifications mentioned in this publication are subject to change without notice. This publication supersedes and replaces all information previously supplied. STMicroelectronics products are not authorized for use as critical components in life support devices or systems without express written approval of STMicroelectronics. The ST logo is a trademark of STMicroelectronics

© 2003 STMicroelectronics - Printed in ITALY- All Rights Reserved.

STMicroelectronics GROUP OF COMPANIES

Australia - Brazil - Canada - China - Finland - France - Germany - Hong Kong - India - Israel - Italy - Japan - Malaysia - Malta - Morocco - Singapore - Spain - Sweden - Switzerland - United Kingdom - U.S.A.

<http://www.st.com>

