

IXP3W02BRXCD Datasheet



<https://www.DiGi-Electronics.com>

DiGi Electronics Part Number	IXP3W02BRXCD-DG
Manufacturer	APEM Inc.
Manufacturer Product Number	IXP3W02BRXCD
Description	SWITCH PB IP67 SEALED BLACK ROUN
Detailed Description	Pushbutton Switch SPST-NO Standard, Illuminated Panel Mount, Front

This model IXP3W02BRXCD is available at DiGi Electronics.

DiGi Electronics offers a global database of semiconductor and electronic component datasheets.

We welcome your inquiries regarding pricing, lead time, or other product-related questions.

 [Request a Quote](#)

 [Datasheet Search](#)



Tel: +00 852-30501935

RFQ Email: Info@DiGi-Electronics.com

DiGi is a global authorized distributor of electronic components.

Purchase and inquiry

Manufacturer Product Number:

IXP3W02BRXCD

Series:

IX

Mounting Type:

Panel Mount, Front

Circuit:

SPST-NO

Current Rating (Amps):

100mA (DC)

Actuator Type:

Round, Button, Mushroom

Color - Actuator/Cap:

Black

Illumination Voltage (Nominal):

3.2 VDC

Ingress Protection:

IP67/IP69K - Dust Tight, Water Resistant, Waterproof

Panel Cutout Dimensions:

Circular - 11.90mm Dia

Mechanical Life:

1,000,000 Cycles

Manufacturer:

APEM Inc.

Product Status:

Active

Type:

Standard, Illuminated

Switch Function:

Off-Mom

Voltage Rating - DC:

28 V

Actuator Marking:

No Marking

Illumination Type, Color:

LED, Blue

Termination Style:

Wire Leads

Features:

-

Operating Temperature:

-40°C ~ 85°C

Electrical Life:

1,000,000 Cycles

Environmental & Export classification

RoHS Status:

ROHS3 Compliant

REACH Status:

REACH Unaffected

HTSUS:

8536.50.9031

Moisture Sensitivity Level (MSL):

1 (Unlimited)

ECCN:

EAR99

IX series

Pushbutton switches for harsh environments •
bushing \varnothing 12 mm • momentary NO & NC/NO



DISTINCTIVE FEATURES

Backlighted marking in a compact case

Strong tactile feedback

NO or NC/NO

High sealing level, no space between actuator and
bushing (IP67/IP69K)



ENVIRONMENTAL SPECIFICATIONS

- Operating and storage temperature : $-40\text{ }^{\circ}\text{C}$ to $+85\text{ }^{\circ}\text{C}$ ($-40\text{ }^{\circ}\text{F}$ to $+185\text{ }^{\circ}\text{F}$)
- Front panel sealing : IP67 according to IEC 60529,
IP69K according to DIN 40050-9
- Shock resistance: 100 g according to IEC 512-4, test 6c
- Salt spray: IEC 512-6, test 11f
- UV-resistant membrane : ISO 4892-2 : 2013 ; method A, cycle 1 ; 750h



ELECTRICAL SPECIFICATIONS

- Max. current/voltage rating with resistive load:

- Gold plated contact (0):
100 mA 28 VDC, 1,000,000 cycles

- Silver contact (1):
2 A 28 VDC, 100,000 cycles

For W terminals, current has
to be limited to 400 mA.

- Initial contact resistance : 100 m Ω max.
- Insulation resistance : 1 G Ω min. at 500 VDC
- Dielectric strength : 1,500 Vrms
- Contact bounce : 10 ms



LED COMPONENT SPECIFICATIONS

LED color	Forward current	Typ. forward voltage	Max. forward voltage
Red (R)	20 mA	1.9 V	2.5 V
Yellow (Y)	20 mA	2.3 V	2.8 V
Green (G)	20 mA	4 V	4.5 V
Blue (B)	20 mA	3.2 V	3.7 V
White (W)	20 mA	3.3 V	4 V
Red/green (F)	20 mA	Red: 2 V / green: 3.2 V	Red: 2.8 V / green: 3.7 V

A resistor must be series-connected by the user.
Resistor value = $\frac{\text{supply voltage} - \text{LED forward voltage}}{\text{LED forward current}}$

The company reserves the right to change specifications without notice.

IX series

Pushbutton switches for harsh environments •
bushing Ø 12 mm • momentary NO & NC/NO

GENERAL SPECIFICATIONS

- Panel thickness : 2 to 8 mm
- Total travel : 2 mm (.078) ± 0.3 mm
- Typical operating force :
Function 3 (NO): 7 N ± 2 N
Function 5 (NO/NC): 8 N ± 2 N
- Low level/mech. life : 1,000,000 cycles
- Torque : 0.55 Nm (0.6 Nm max.) applied to nut and actuator firmly pushed during the tightening process.
- Soldering : 320 °C (608 °F) max. for 3 sec.

MATERIALS

- Case : thermoplastic UL94-V0
- Actuator : silicone
- Bushing : ABS UL94 HB
- Contacts :
0 : brass, gold plated
1 : silver
- Output wires : AWG24, section 0.23 mm² - 500 mm
- Terminal seal : epoxy

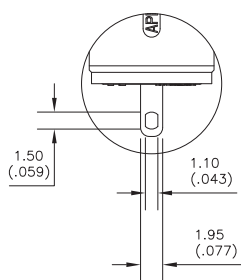
APEM products may be recycled at end-of-life for the re-claiming of valuable metal components.

CONNECTIONS

WIRES TERMINALS

- Contact NO : black color / Contact NC : blue color
- LED : + : red color
- : white color

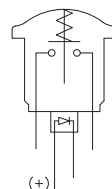
TERMINALS



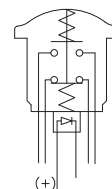
Solder lug S

ELECTRICAL FUNCTION

ILLUMINATED MODELS

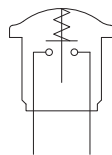


Function 3 (NO)

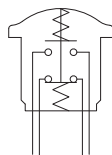


Function 5 (NC/NO)

NON-ILLUMINATED MODELS



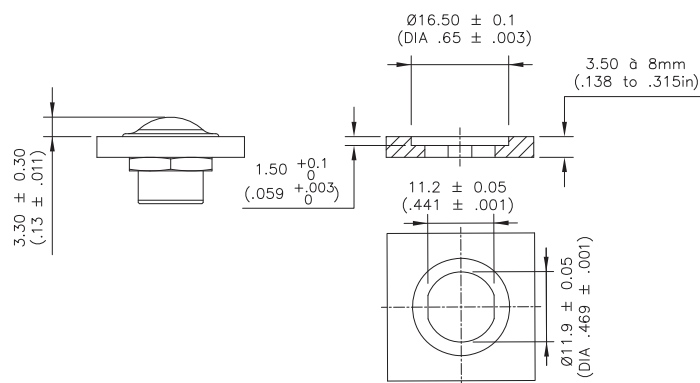
Function 3 (NO)



Function 5 (NC/NO)

MOUNTING

RECOMMENDED PANEL CUT-OUT (IP69K)



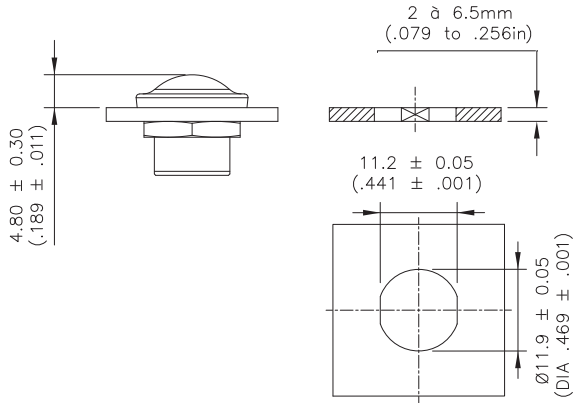
IX series

Pushbutton switches for harsh environments •
bushing \varnothing 12 mm • momentary NO & NC/NO

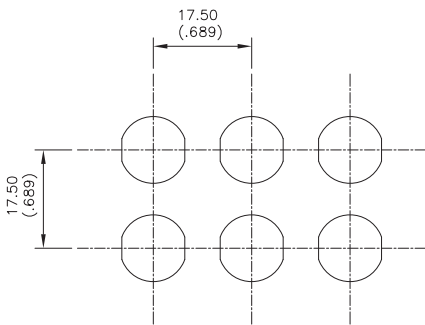


MOUNTING (CONTINUED)

OTHER PANEL CUT-OUT



MATRIX MOUNTING

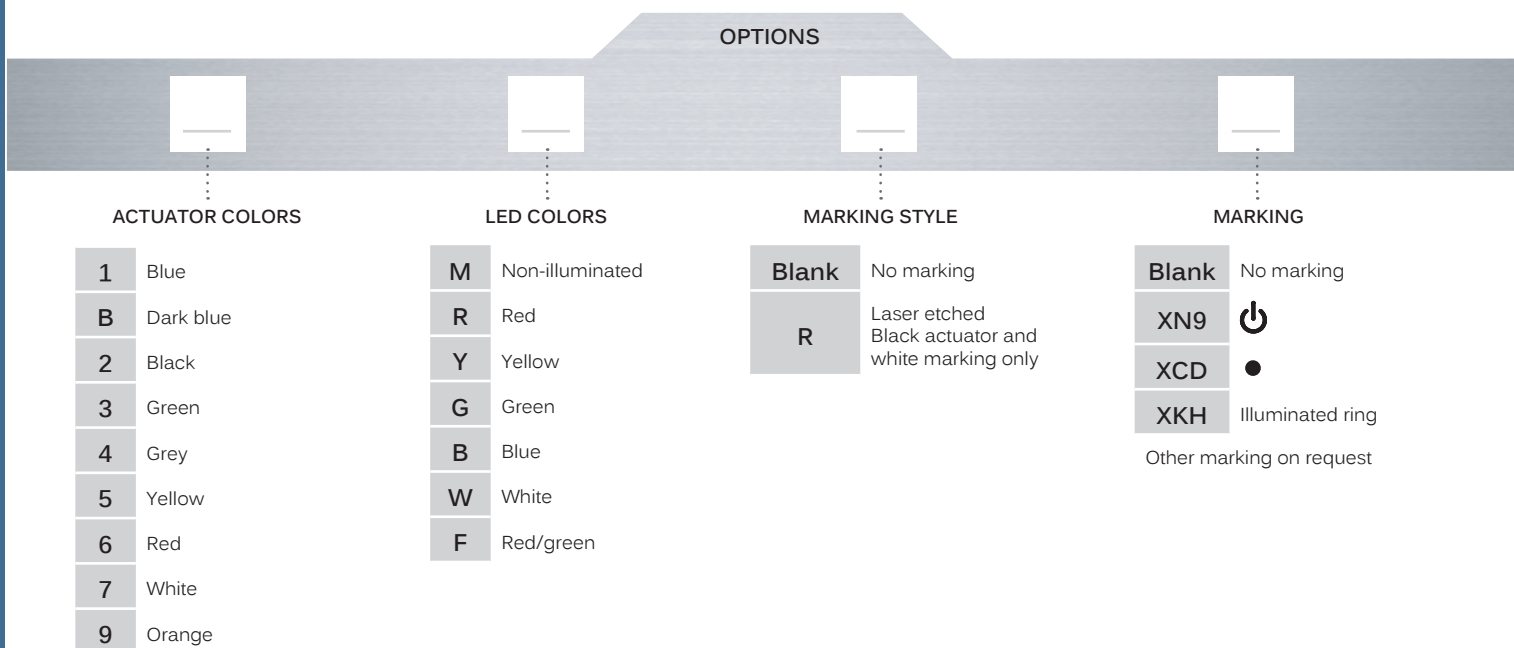
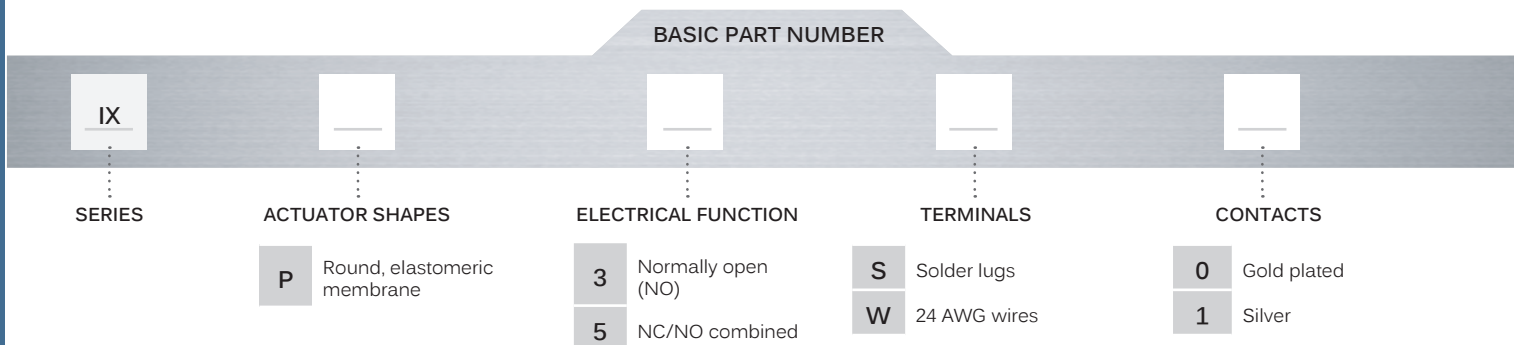


IX series

Pushbutton switches for harsh environments •
bushing Ø 12 mm • momentary NO & NC/NO



BUILD YOUR PART NUMBER



ABOUT THIS SERIES

On the following pages, you will find successively basic part numbers of switches and options in the same order as in above chart.

- Notice** : please note that not all combinations of above numbers are available. Refer to the following pages for further information.
- Mounting accessories** : Standard hardware supplied : 1 hex nut 14 mm (.551) across flats.

IX series

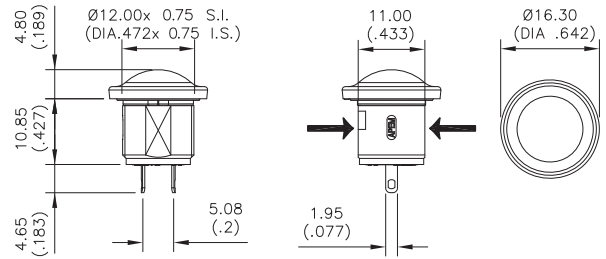
Pushbutton switches for harsh environments •
bushing Ø 12 mm • momentary NO & NC/NO

SOLDER LUG TERMINALS
NON-ILLUMINATED - NO



IXP3S••M

→ Flat

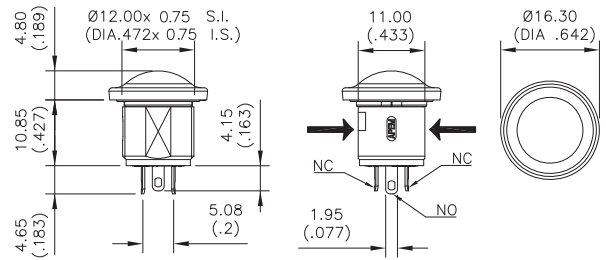


SOLDER LUG TERMINALS
NON-ILLUMINATED - NC/NO



IXP5S••M

→ Flat

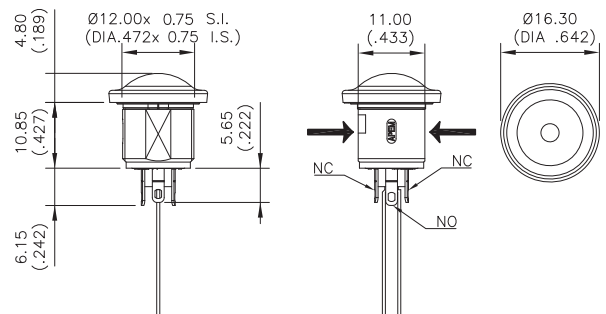


SOLDER LUG TERMINALS
ILLUMINATED - NC/NO



IXP5S

→ Flat

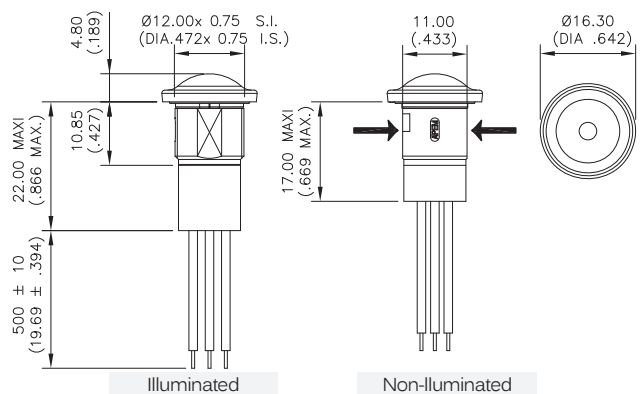


FLYING LEAD TERMINALS
ILLUMINATED - NC/NO



IXP5W

→ Flat



IX series

Pushbutton switches for harsh environments •
bushing \varnothing 12 mm • momentary NO & NC/NO

ACTUATOR COLORS

BASIC P/N



1	Blue	5	Yellow
B	Dark blue	6	Red
2	Black	7	White
3	Green	9	Orange
4	Grey		

LED COLORS

BASIC P/N



M	Non-illuminated
R	Red
Y	Yellow
G	Green
B	Blue
W	White
F	Red/green

MARKING STYLE

BASIC P/N



Blank	No marking
R	Laser etched - Black actuator and white marking only

MARKING

BASIC P/N

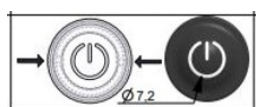


Blank	No Marking
XN9	 - Symbol "power"
XCD	 - Symbol "dot"
XKH	 - Illuminated ring

Other marking on request

Example of IX switch with marking.
Please note that the anti-rotation flats are pointed with the arrows.

→ Flat



OUR CERTIFICATE

DiGi provide top-quality products and perfect service for customer worldwide through standardization, technological innovation and continuous improvement. DiGi through third-party certification, we stricly control the quality of products and services. Welcome your RFQ to

Email: Info@DiGi-Electronics.com



Tel: +00 852-30501935

RFQ Email: Info@DiGi-Electronics.com

DiGi is a global authorized distributor of electronic components.