

# 10033853-052FSLF Datasheet



<https://www.DiGi-Electronics.com>

DiGi Electronics Part Number	10033853-052FSLF-DG
Manufacturer	<a href="#">Amphenol ICC (FCI)</a>
Manufacturer Product Number	10033853-052FSLF
Description	CONN SKT SODIMM 200POS SMD
Detailed Description	200 Position SODIMM DDR2 SDRAM Socket Surface Mount



Tel: +00 852-30501935

RFQ Email: [Info@DiGi-Electronics.com](mailto:Info@DiGi-Electronics.com)

DiGi is a global authorized distributor of electronic components.

## Purchase and inquiry

Manufacturer Product Number:

10033853-052FSLF

Series:

-

Connector Style:

SODIMM

Memory Type:

DDR2 SDRAM

Mounting Type:

Surface Mount

Features:

Board Guide, Latches

Card Thickness:

0.039" (1.00mm)

Color:

Black

Contact Finish Thickness:

Flash

Manufacturer:

Amphenol ICC (FCI)

Product Status:

Active

Number of Positions:

200

Standards:

MO-274

Insertion Angle:

30° Angle

Mounting Feature:

Normal, Standard - Top

Height:

0.205" (5.20mm)

Contact Finish:

Gold

Base Product Number:

10033853

## Environmental & Export classification

RoHS Status:

RoHS Compliant

REACH Status:

REACH Affected

HTSUS:

8536.69.4040

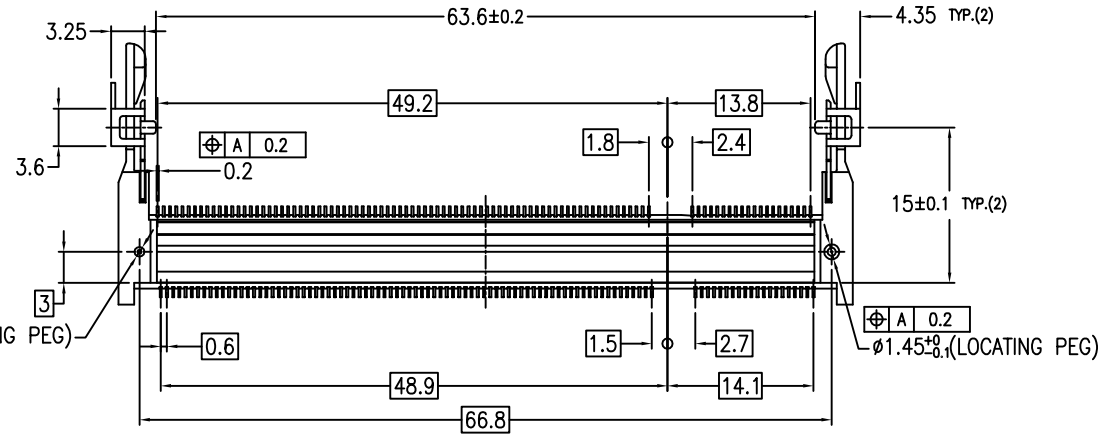
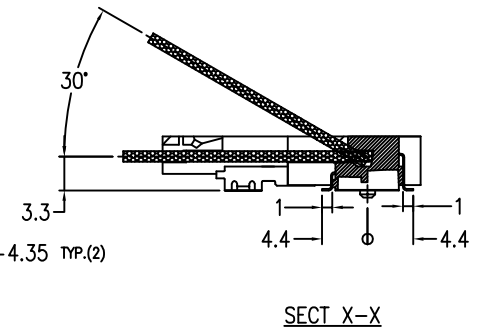
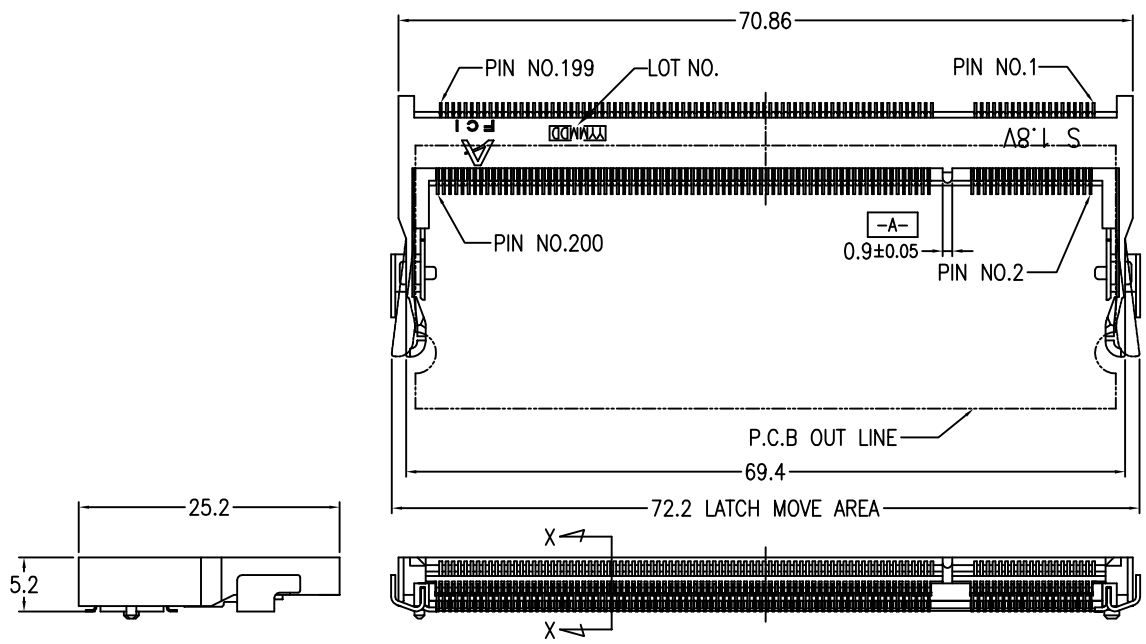
Moisture Sensitivity Level (MSL):

1 (Unlimited)


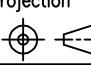
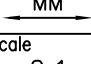
ECCN:

EAR99

PRODUCT NO.  
10033853-\*52\*\*



- NOTE
1. PRODUCT SPEC. : GS-12-195
  2. PACKAGING SPEC. : GS-14-786
  3. MATERIAL
    - 1) HOUSING : LCP, UL94V-0, COLOR BLACK
    - 2) CONTACT : COPPER ALLOY
    - 3) HOLD DOWN : BRASS
  4. FINISH
    - 1) TERMINAL : SEE TABLE
    - 2) HOLD DOWN : SEE TABLE
  5. CO-PLANARITY : 0.1 MAX.(INCLUDE HOLD DOWN)
  6. THIS PRODUCT MEETS EUROPEAN UNION DIRECTIVES AND OTHER COUNTRY REGULATIONS AS DESCRIBED IN GS-22-008.
  7. THE HOUSING WILL WITHSTAND EXPOSURE TO 260° PEAK TEMPERATURE FOR 10 SECONDS IN A REFLOW SOLDER APPLICATION.

mat'l. code				tolerances unless otherwise specified			CUSTOMER COPY	 www.fciconnect.com
ltr	ecn no	dr	date		.X ± 0.20	projection		
2		M H	8/28/'03	linear	.XX ± 0.10			DDR II 0.6 mm PITCH 200 POS. STANDARD TYPE ASS'Y
3		M H	4/2/'04					
4		M H	6/29/'04	angles	0° ±5°		scale 2:1	B 10033853 sheet 1 of 4
A	J04-0401	M H	9/28/'04	dr	M.Hasegawa 6/29/'04	MM		
B	T05-0022	R C	11/9/'04	enrg	M.Hasegawa 6/29/'04		sheet 1 of 4	
C	T05-0229	R C	10/12/'05	chr				
D	PG08-0333	B L	12/1/'08	appd				
sheet index	revision	D	D	D	D			
	sheet	1	2	3	4			

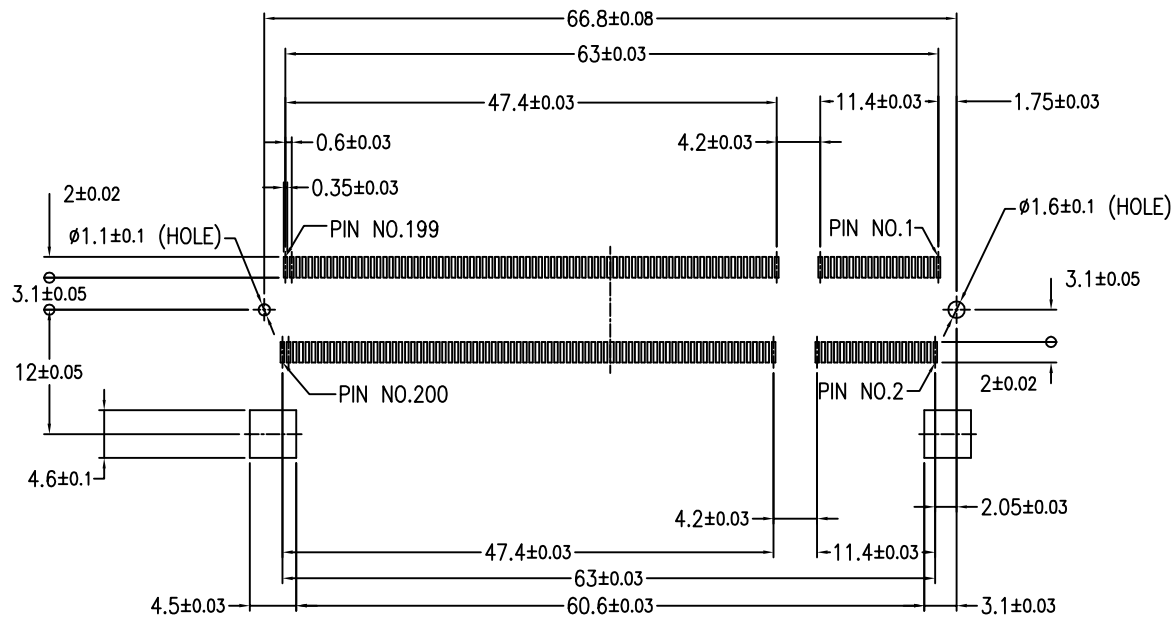
10033853-052FSLF Amphenol ICC (FCI) CONN SKT SODIMM 200POS SMD

Tous droits strictement reserves. Reproduction ou communication a des tiers interdite sous quelque forme que ce soit sans autorisation ecrite de FCI. Propriete de c FCI. Droits de reproduction FCI.


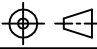
All rights strictly reserved. Reproduction or issue to third parties in any form whatever is not permitted without written authority from the propriety of FCI. Copyright FCI.

PRODUCT NO.

10033853-\*52\*\*



RECOMMENDED MOUNTING P.C.B LAYOUT

mat'l. code				tolerances unless otherwise specified			CUSTOMER COPY	 www.fciconnect.com
ltr	ecn no	dr	date	linear	.X ± 0.20	projection		
D				angles	.XX ± 0.10		product family 50UF SO-DIMM code JP	
				dr	M.Hasegawa 6/29/04	MM		size dwg no 10033853
				enr	M.Hasegawa 6/29/04	scale	sheet 2 of	
				chr		2:1		
				appd				
sheet index	revision sheet							

10033853-052FSLF Amphenol ICC (FCI) CONN SKT SODIMM 200POS SMD

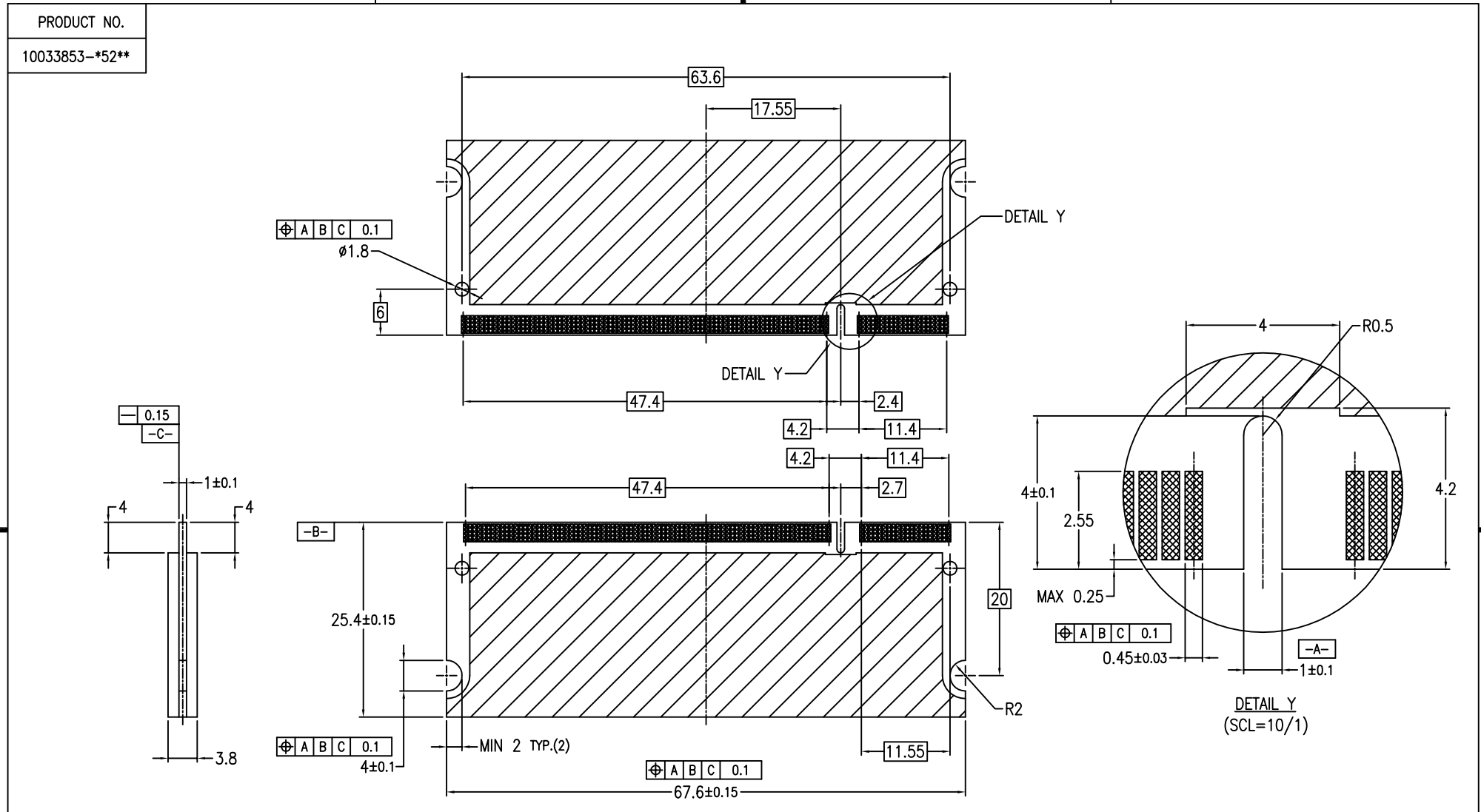
Tous droits strictement reserves. Reproduction ou communication a des tiers interdite sous quelque forme que ce soit sans autorisation ecrite de proprietaire. Propriete de c FCI. Droits de reproduction FCI.



All rights strictly reserved. Reproduction or issue to third parties in any form whatever is not permitted without written authority from the proprietor. Property of FCI. Copyright FCI.

10033853-052FSLF Amphenol ICC (FCI) CONN SKT SODIMM 200POS SMD

All rights strictly reserved. Reproduction or issue to third parties in any form whatever is not permitted without written authority from the property of FCI. Copyright FCI.  
 Tous droits strictement reserves. Reproduction ou communication a des tiers interdite sous quelque forme que ce soit sans autorisation ecrite de la propriete de c FCI. Droits de reproduction FCI.



RECOMMENDED MODULE P.C.B. LAYOUT

mat'l. code				tolerances unless otherwise specified		CUSTOMER COPY	 www.fciconnect.com
ltr	ecn no	dr	date	linear	.X ± 0.20		
D				angles	.XX ± 0.10	 MM	DDR II 0.6 mm PITCH 200 POS. STANDARD TYPE ASS'Y
				dr	M.Hasegawa 6/29/04		
				enr	M.Hasegawa 6/29/04	2:1	size dwg no
				chr			
				appd		sheet 3 of	
sheet index	revision sheet						

ACAD

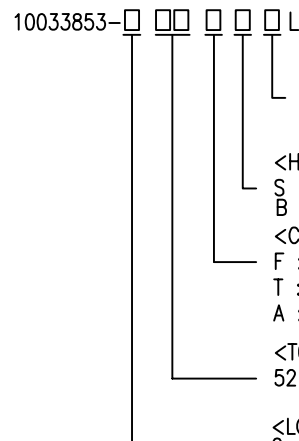
PDM: Rev:D

STATUS: Released

Printed: May 25, 2011



PRODUCT NO.	LOCATING PEG	TERMINAL CONTACT AREA FINISH	HOLD DOWN FINISH	SOLDER TAIL FINISH
10033853-052FSLF	YES	Au FLASH	PURE Sn PLATING	Au FLASH
10033853-152FSLF	NO			
10033853-052TSLF	YES	Au 0.3um MIN.		
10033853-152TSLF	NO			
10033853-052ASLF	YES	Au 0.76um MIN.		
10033853-152ASLF	NO			
10033853-052FB	YES	Au FLASH	Sn-Pb PLATING	
10033853-152FB	NO			
10033853-052TB	YES	Au 0.3um MIN.		
10033853-152TB	NO			
10033853-052AB	YES	Au 0.76um MIN.		
10033853-152AB	NO			
10033853-252FSLF	YES	Au FLASH	PURE Sn PLATING	Pure Sn PLATING
10033853-352FSLF	NO			
10033853-252TSLF	YES	Au 0.3um MIN.		
10033853-352TSLF	NO			
10033853-252ASLF	YES	Au 0.76um MIN.		
10033853-352ASLF	NO			
10033853-252FB	YES	Au FLASH	Sn-Pb PLATING	
10033853-352FB	NO			
10033853-252TB	YES	Au 0.3um MIN.		
10033853-352TB	NO			
10033853-252AB	YES	Au 0.76um MIN.		
10033853-352AB	NO			
10033853-452FS	YES	Au FLASH	PURE Sn PLATING	Sn-Pb PLATING
10033853-552FS	NO			
10033853-452TS	YES	Au 0.3um MIN.		
10033853-552TS	NO			
10033853-452AS	YES	Au 0.76um MIN.		
10033853-552AS	NO			
10033853-452FB	YES	Au FLASH	Sn-Pb PLATING	
10033853-552FB	NO			
10033853-452TB	YES	Au 0.3um MIN.		
10033853-552TB	NO			
10033853-452AB	YES	Au 0.76um MIN.		
10033853-552AB	NO			



<PACKING METHOD>  
R : TAPE REEL  
DEFAULT : TRAY

<HOLD DOWN FINISH>  
S : Pure Sn  
B : Sn-Pb

<CONTACT AREA FINISH>  
F : Au FLASH  
T : Au 0.3um MIN.  
A : Au 0.76um MIN.

<TOTAL HEIGHT>  
52 : 5.2mm

<LOCATING PEG, SOLDER TAIL FINISH>  
0 : YES, Au FLASH  
1 : NO, Au FLASH  
2 : YES, Pure Sn PLATING  
3 : NO, Pure Sn PLATING  
4 : YES, Sn-Pb PLATING  
5 : NO, Sn-Pb PLATING

For Rohs OPTIONS:  
TAIL PLATING CODE MUST BE 0~3.  
HOLD DOWN PLATING CODE MUST BE "S".  
"LF" CODE IS EXIST IN THE END.  
EX: 10033853-252TSLF

FOR NOT Rohs COMPATIBLE:  
THIS "LF" CODE IS "BLANK".  
EX:10033853-452TS

mat'l. code				tolerances unless otherwise specified			CUSTOMER COPY		 www.fciconnect.com	
ltr	ecn no	dr	date	linear	.X ± 0.20		projection	 title DDR II 0.6 mm PITCH 200 POS. STANDARD TYPE ASS'Y		
D					.XX ± 0.10					
				angles	0° ±5°		 MM	product family 50UF SO-DIMM size dwg no code JP sheet 4 of		
				dr	M.Hasegawa	6/29/04				
				enr	M.Hasegawa	6/29/04	2:1			
				chr						
				appd						
sheet index	revision sheet									

## OUR CERTIFICATE

DiGi provide top-quality products and perfect service for customer worldwide through standardization, technological innovation and continuous improvement. DiGi through third-party certification, we stricly control the quality of products and services. Welcome your RFQ to

Email: [Info@DiGi-Electronics.com](mailto:Info@DiGi-Electronics.com)



Tel: +00 852-30501935

RFQ Email: [Info@DiGi-Electronics.com](mailto:Info@DiGi-Electronics.com)

DiGi is a global authorized distributor of electronic components.