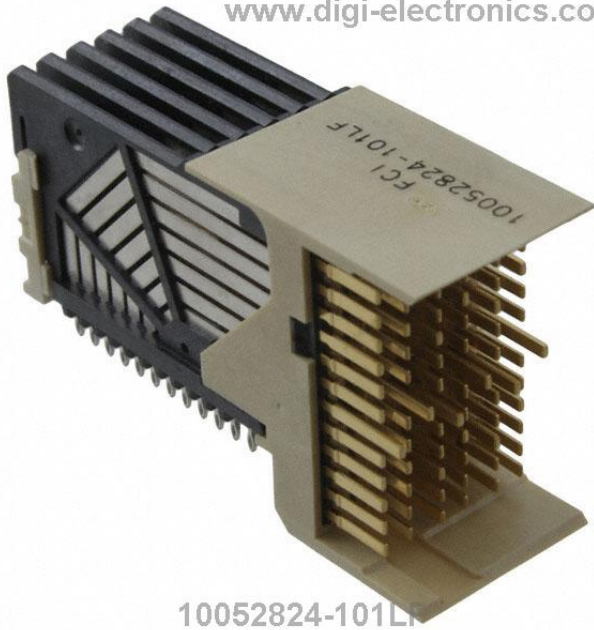


[www.digi-electronics.com](http://www.digi-electronics.com)



10052824-101LF

<https://www.DiGi-Electronics.com>

# 24-101LF Datasheet

DiGi Electronics Part Number	10052824-101LF-DG
Manufacturer	<a href="#">Amphenol ICC (FCI)</a>
Manufacturer Product Number	10052824-101LF
Description	CONN HDR HI SPEED 72POS EDGE MT
Detailed Description	72 Connector Header, Male Pins Board Edge, Through Hole, Right Angle Natural High Speed

Tel: +00 852 30501935

RFQ Email: [Info@DiGi-Electronics.com](mailto:Info@DiGi-Electronics.com)

DiGi is a global authorized distributor of electronic components.

## Purchase and inquiry

Manufacturer Product Number:

10052824-101LF

Series:

Airmax VS®

Connector Usage:

Daughtercard

Connector Style:

High Speed

Number of Positions Loaded:

All

Number of Rows:

12

Mounting Type:

Board Edge, Through Hole, Right Angle

Contact Layout, Typical:

-

Contact Finish:

Gold

Color:

Natural

Material Flammability Rating:

Manufacturer:

Amphenol ICC (FCI)

Product Status:

Active

Connector Type:

Header, Male Pins

Number of Positions:

72

Pitch:

-

Number of Columns:

6

Termination:

Press-Fit

Features:

-

Contact Finish Thickness:

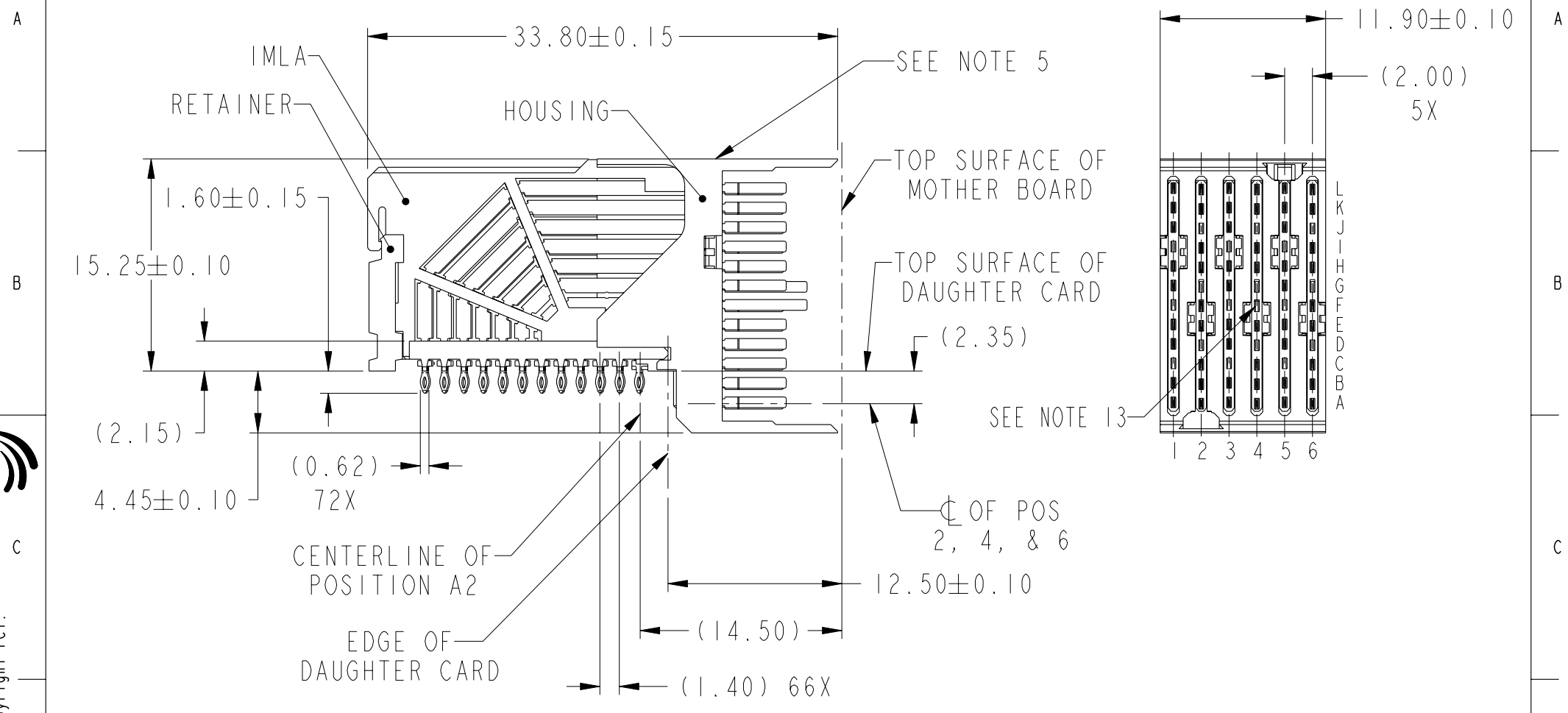
-

Current Rating (Amps):

-

Operating Temperature:

Product number  
SEE TABLE, SHEET 5

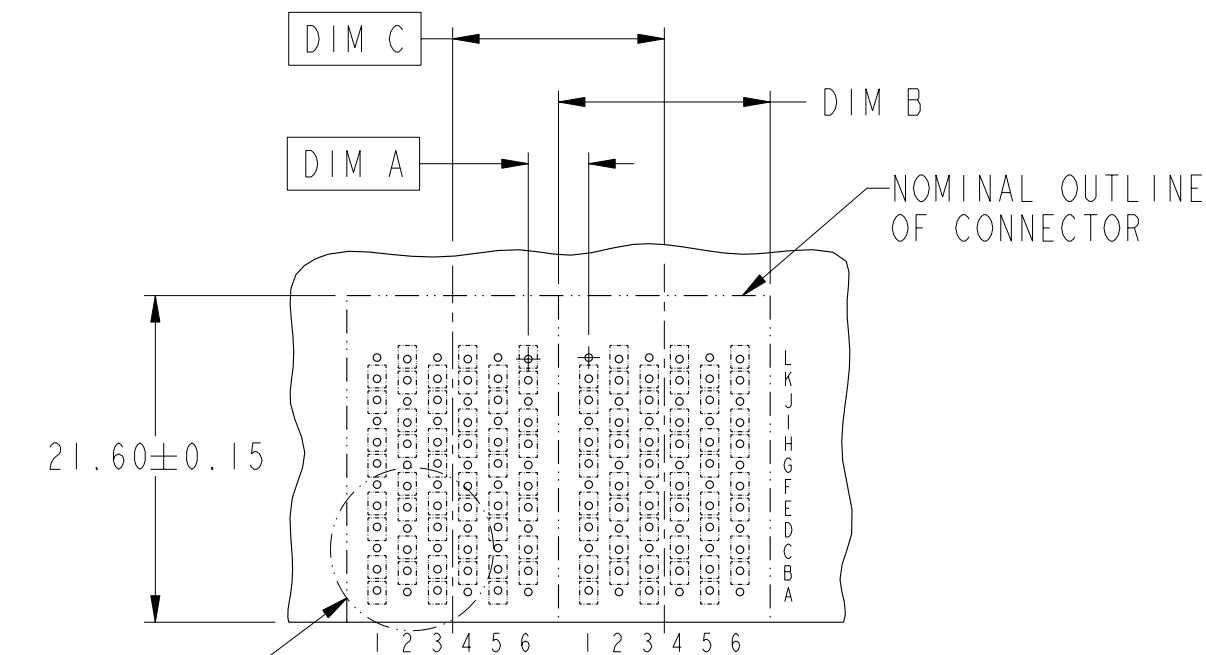


Copyright FCI.

rev	ecn no	dr	date
A	S07-0103	LS	2007-04-05
B	S08-0251	CH	2008-07-31
-	-	-	-
-	-	-	-
-	-	-	-
-	-	-	-

www.fciconnect.com		surface - ASME Y14.5	tolerance std - ASME Y14.5	projection	MM
		TOLERANCES UNLESS OTHERWISE SPECIFIED			
Dr	T. HOUTZ	2005-06-24	ANGULAR	size A4	Scale 5:2
Eng	C. SHELLY	2005-06-24	LINEAR	ECN	***
Chr	C. H TAN	2008-07-31	0° ±°	Product family AirMax VS	Spec ref
Appr	JOEY NG	2008-07-31	0.X ±		
			0.XX ±		
			0.XXX ±		
			AirMax VS R/A HEADER ASSY		Rev. B
			PRESS-FIT, 72 POS, 12MM		
catalog no			- CUSTOMER		sheet 1 of 5

DESCRIPTION	DIM A	DIM B	DIM C
2-12MM MODULES PLACED END-TO-END	2.00	11.90 2X	12.00
1-12MM MODULE & 1-14MM MODULE PLACED END-TO-END	3.00	11.90 1X & 13.90 1X	13.00



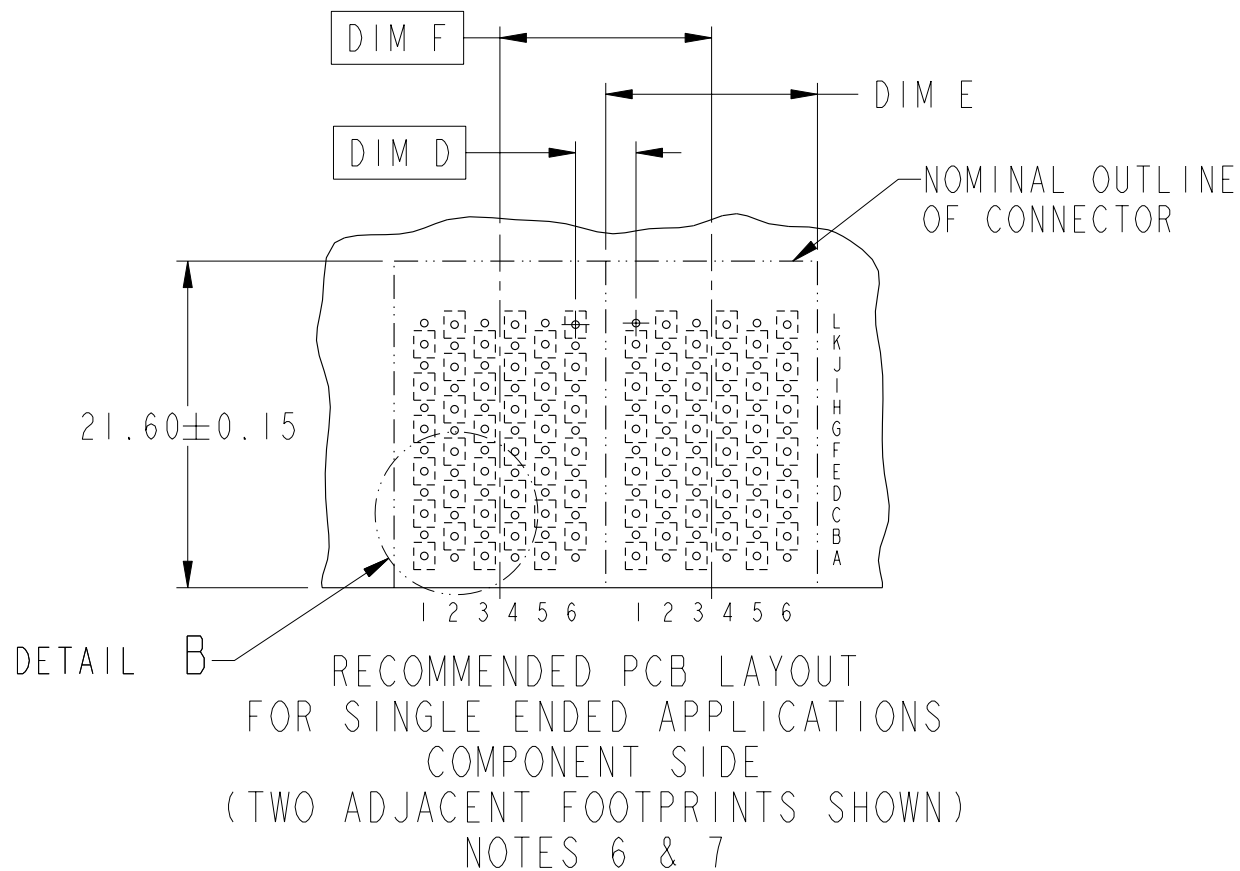
RECOMMENDED PCB LAYOUT  
FOR DIFFERENTIAL APPLICATIONS  
COMPONENT SIDE  
(TWO ADJACENT FOOTPRINTS SHOWN)  
NOTES 6 & 7



Copyright FCI.

	TITLE	AirMax VS R/A HEADER ASSY	dwg no	10052824	Rev.	B
		PRESS-FIT, 72 POS, 12MM				
	CATALOG NO	-	CUSTOMER		sheet 2 of 5	

DESCRIPTION	DIM D	DIM E	DIM F
2-12MM MODULES PLACED END-TO-END	2.00	11.90 2X	12.00
1-12MM MODULE & 1-14MM MODULE PLACED END-TO-END	3.00	11.90 1X & 13.90 1X	13.00

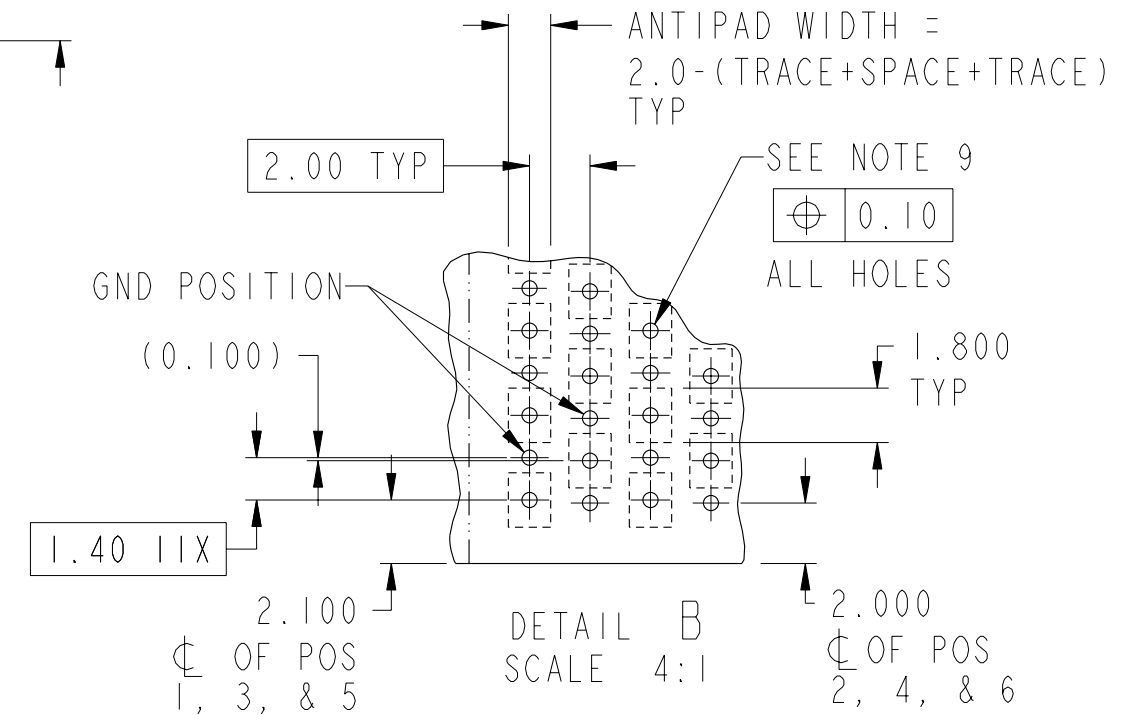
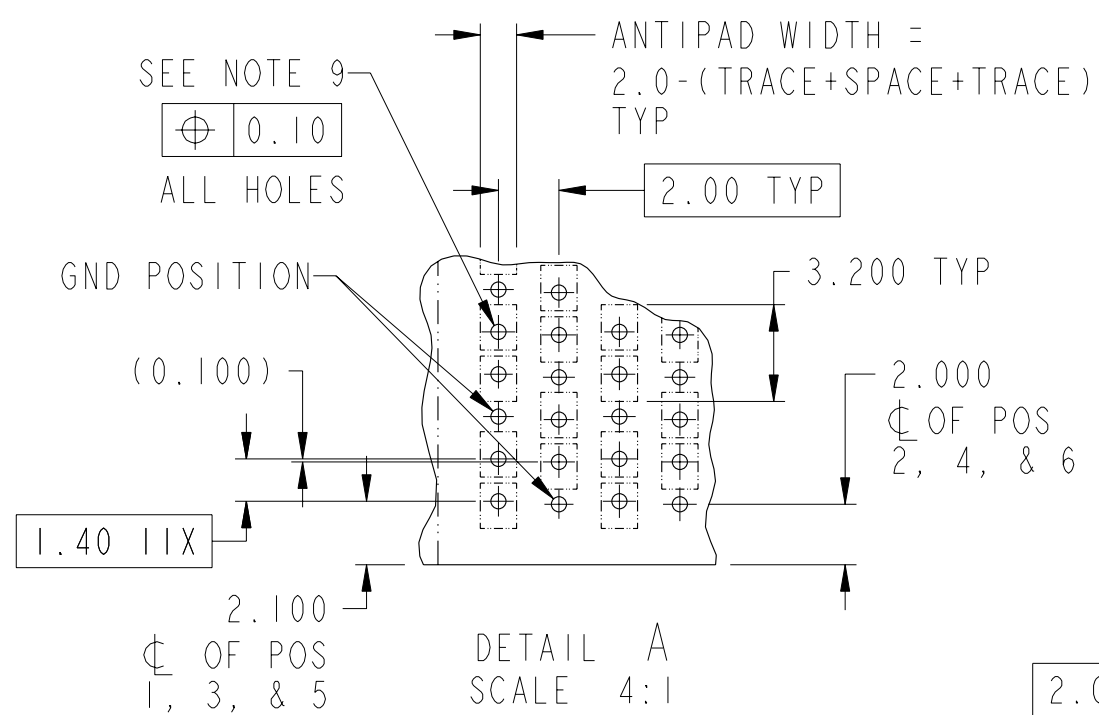


Copyright FCI.

	title AirMax VS R/A HEADER ASSY PRESS-FIT, 72 POS, 12MM	dwg no 10052824	Rev. B
	catalog no -	CUSTOMER	sheet 3 of 5

A  
B  
C  
D

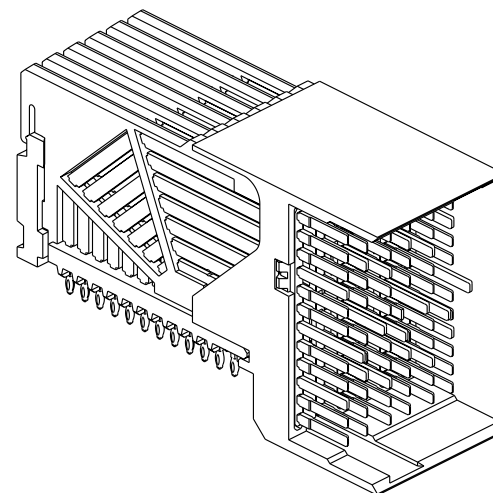
A  
B  
C  
D



Copyright FCI.

	title AirMax VS R/A HEADER ASSY PRESS-FIT, 72 POS, 12MM	dwg no 10052824	Rev. B
	catalog no -	CUSTOMER	sheet 4 of 5

PART NUMBER	PRESS-FIT TAIL PLATING TYPE	SHORT DETECT CONTACT
10052824-101	TIN/LEAD ALLOY OVER NICKEL	NO
10052824-101LF	TIN OVER NICKEL (LEAD FREE)	
10052824-111	TIN/LEAD ALLOY OVER NICKEL	YES (SEE NOTE 13)
10052824-111LF	TIN OVER NICKEL (LEAD FREE)	



NOTES:

1. CONNECTOR MATERIALS:  
 HOUSING & RETAINER: HIGH TEMP THERMOPLASTIC, NATURAL, UL94V-0  
 IMLA PLASTIC: HIGH TEMP THERMOPLASTIC, BLACK, UL94V-0  
 CONTACT: COPPER ALLOY

2. CONTACT PLATING:  
 SEPARABLE INTERFACE:  
 PERFORMANCE-BASED PLATING, QUALIFIED TO MEET THE REQUIREMENTS OF FCI PRODUCT SPECIFICATION GS-12-239, INCLUDING TELCORDIA GR-1217-CORE (NOVEMBER 1995) CENTRAL OFFICE.  
 PRESS-FIT TAILS: SEE TABLE

3. PRODUCT SPECIFICATION: GS-12-239

4. APPLICATION SPECIFICATION: GS-20-035

5. PRODUCT MARKING, (PART NUMBER & LOT CODE), ON THIS SURFACE

6. REFER TO CUSTOMER DRAWING 10035911 FOR INFORMATION REGARDING PCB LAYOUT OF POWER AND GUIDE MODULES RELATIVE TO SIGNAL MODULES

7. POSITIONS F OF ODD NUMBERED COLUMNS AND POSITIONS G OF EVEN NUMBERED COLUMNS CORRESPOND TO EARLY MATE HEADER PINS

8. THERE IS NO GROUND BUSSING WITHIN THE CONNECTOR SYSTEM

9. REFER TO CUSTOMER DRAWING 10045979 FOR INFORMATION ON PCB HOLE DIAMETERS AND PLATING OPTIONS.

10. THIS PRODUCT MEETS EUROPEAN UNION DIRECTIVES AND OTHER COUNTRY REGULATIONS AS DESCRIBED IN GS-22-008.

11. THE HOUSING WILL WITHSTAND EXPOSURE TO 260°C PEAK TEMPERATURE FOR 40 SECONDS IN A CONVECTION, INFRA-RED OR VAPOR PHASE REFLOW OVEN.

12. PACKAGING MEETS GS-14-920 LEAD FREE LABELING SPECIFICATION.

13. MATING PIN F4 IS SHORTER THAN ALL REMAINING SIGNAL PINS. NOMINAL MATING WIPE FOR PIN F4 IS 0.5MM LESS THAN ALL REMAINING SIGNAL PINS.

14. A  $\triangle B$  SYMBOL WILL BE NEXT TO ANY DIMENSION, VIEW, OR NOTE WHICH HAS BEEN MODIFIED WITH THE CURRENT DRAWING REVISION.



Copyright FCI.

	title AirMax VS R/A HEADER ASSY PRESS-FIT, 72 POS, 12MM	dwg no 10052824	Rev. B
	catalog no -	CUSTOMER	sheet 5 of 5

# OUR CERTIFICATE

DiGi provide top-quality products and perfect service for customer worldwide through standardization, technological innovation and continuous improvement. DiGi through third-party certification, we stricly control the quality of products and services. Welcome your RFQ to

Email: [Info@DiGi-Electronics.com](mailto:Info@DiGi-Electronics.com)



Tel: +00 852 30501935

RFQ Email: [Info@DiGi-Electronics.com](mailto:Info@DiGi-Electronics.com)

DiGi is a global authorized distributor of electronic components.