

10089036-002LF Datasheet



<https://www.DiGi-Electronics.com>

DiGi Electronics Part Number	10089036-002LF-DG
Manufacturer	Amphenol ICC (FCI)
Manufacturer Product Number	10089036-002LF
Description	CONN SATA PLUG 7POS SLD R/A SMD
Detailed Description	7 Position SATA Plug, Shrouded Connector Solder Surface Mount, Right Angle



Tel: +00 852-30501935

RFQ Email: Info@DiGi-Electronics.com

DiGi is a global authorized distributor of electronic components.

Purchase and inquiry

Manufacturer Product Number:

10089036-002LF

Series:

-

Connector Style:

Plug, Shrouded

Number of Positions:

7

Termination:

Solder

Contact Finish:

Gold

Base Product Number:

10089036

Manufacturer:

Amphenol ICC (FCI)

Product Status:

Obsolete

Connector Type:

SATA

Mounting Type:

Surface Mount, Right Angle

Features:

Solder Retention

Contact Finish Thickness:

15.0µin (0.38µm)

Environmental & Export classification

Moisture Sensitivity Level (MSL):

1 (Unlimited)

HTSUS:

8536.69.4040

ECCN:

EAR99

Tous droits strictement réservés. Reproduction ou communication à des tiers interdite sous quelque forme que ce soit sans autorisation écrite du propriétaire. Propriété de c FCI. Droits de reproduction FCI.

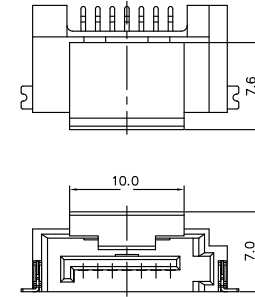
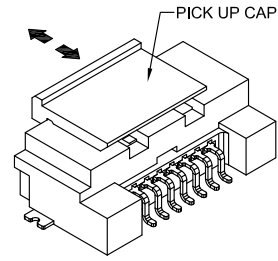
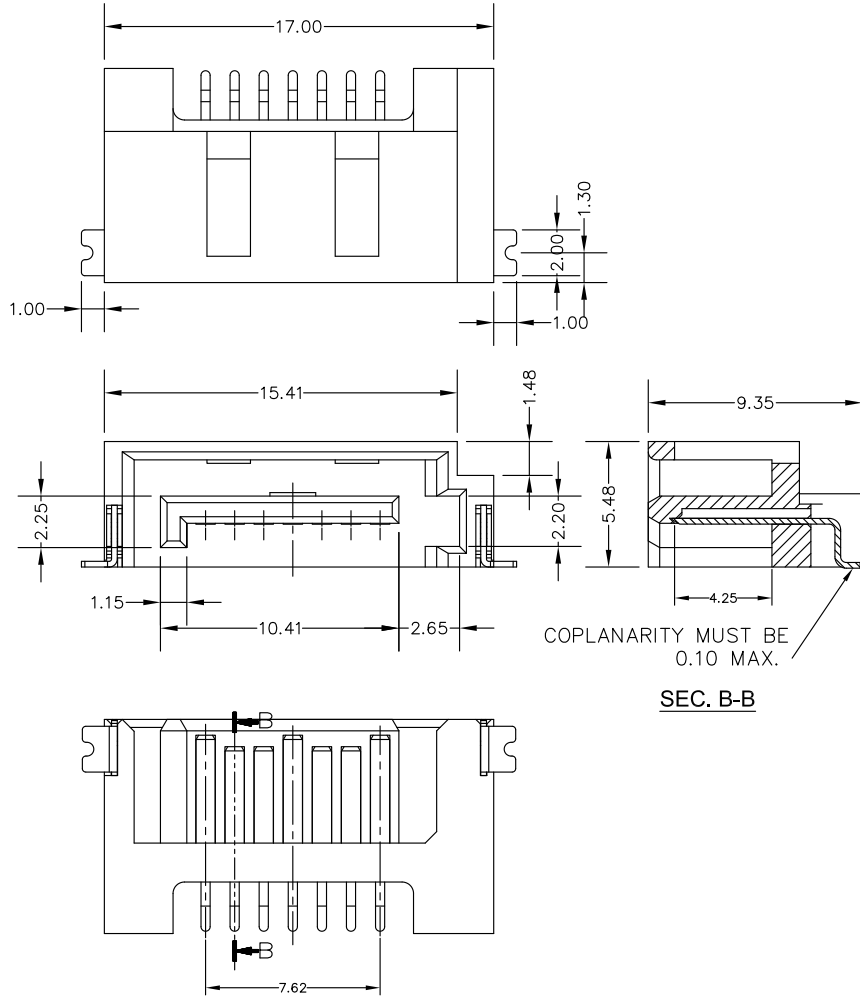


All rights strictly reserved. Reproduction or issue to third parties in any form whatever is not permitted without written authority from the proprietor. Property of FCI. Copyright FCI.

1 | 2

3 |

4



WITH PICK UP CAP

SEC. B-B

mat'l. code				tolerances unless otherwise specified			CUSTOMER COPY	FCI www.fciconnect.com	
ltr	ecn no	dr	date	linear	.X ± 0.38		projection	title S-ATA SIGNAL PLUG SMT RA TYPE ASS'Y	
A	T08-1179	S.LIN	10/30/08		.XX ± 0.25				
B	T08-1179	S.LIN	11/14/08	angles	.XXX ± 0.10		MM	product family SATA	
C	T09-1007	S.LIN	01/21/09		0° ±2°				
D	ELX-S-27968	SL.LIM	09/18/17	dr	STERLING LIN	10/30/08	scale NA	A4	10089036
				enr	STERLING LIN	10/30/08			
				chr	STERLING LIN	10/30/08			
				appd	MINERVA WANG	10/30/08			
sheet index	revision sheet	D	D						
		1	2						

cage code

ACAD

PDS: Rev :D

STATUS:Released

Printed: Oct 03, 2017

1 | 2

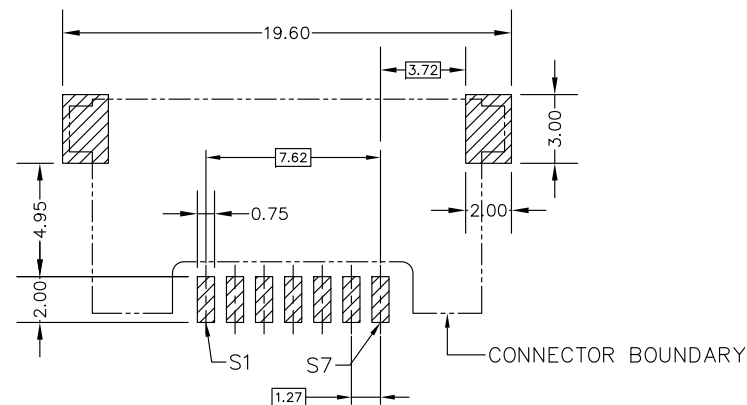
3 |

4

10089036-002LF Amphenol ICC (FCI) CONN SATA PLUG 7POS SLD R/A SMD

NOTES :

1. MATERIAL
 - i) HOUSING : HIGH TEMPERATURE THERMOPLASTIC UL94V-0
 - ii) TERMINAL : COPPER ALLOY
 - iii) HOLD DOWN : COPPER ALLOY
2. FINISH
 - i) TERMINAL : Au PLATING AT CONTACT POINT
MATT TIN PLATING 100u" MIN AT SOLDER TAIL WITH NICKEL 50u" MIN UNDERPLATE.
 - ii) HOLD DOWN : MATT TIN PLATING.
MATT TIN PLATING 100u" MIN AT SOLDER TAIL WITH NICKEL 50u" MIN UNDERPLATE.
3. THE HOUSING WILL WITHSTAND EXPOSURE TO 260 DEGREE C PEAK TEMPERATURE FOR 10 SECONDS IN A CONVECTION, INFREA RED, OR VAPOR PHASE REFLOW OVEN.
4. Packaging spec. GS-14-840.
5. Prodcut Spec. GS-12-194.
6. Prodcut Spec. 110-634



RECOMMENDED MOUNTING LAYOUT
 RECOMMENDED PCB T: 1.6mm
 TOLERANCE UNLESS OTHERWISE ±0.1mm

10089036- 0 X X X LF LEAD FREE

BLANK: SPEC AS NOTE 5
 J: SPEC AS NOTE 6

- 1: G/F PLATING AT CONTACT
- 2: 15U" GOLD AT CONTACT
- 3: 30U" GOLD AT CONTACT

O: TAPE & REEL PACKING WITH PICK UP CAP

\triangle D1: TAPE & REEL PACKING WITHOUT PICK UP CAP

Tous droits strictement reserves. Reproduction ou communication a des tiers interdite sous quelque forme que ce soit sans autorisation ecrite du proprietaire. Propriete de c FCI. Droits de reproduction FCI.



All rights strictly reserved. Reproduction or issue to third parties in any form whatever is not permitted without written authority from the proprietor. Property of FCI. Copyright FCI.

10089036-002LF Amphenol ICC (FCI) CONN SATA PLUG 7POS SLD R/A SMD

mat'l. code				tolerances unless otherwise specified			CUSTOMER COPY	FCI www.fciconnect.com		
\triangle D	ltr	ecn no	dr	date	linear	.X ± 0.38	projection 	title S-ATA SIGNAL PLUG SMT RA TYPE ASS'Y		
						.XX ± 0.25				
						.XXX ± 0.10				
						0° ± 2°				
				angles	dr	STERLING LIN	10/30/08	product family	SATA	code
					enr	STERLING LIN	10/30/08	size	dwg no	TWN
					chr	STERLING LIN	10/30/08	scale A4	10089036	sheet
					appd	MINERVA WANG	10/30/08			2 of 2
sheet index	revision sheet									

OUR CERTIFICATE

DiGi provide top-quality products and perfect service for customer worldwide through standardization, technological innovation and continuous improvement. DiGi through third-party certification, we stricly control the quality of products and services. Welcome your RFQ to

Email: Info@DiGi-Electronics.com



Tel: +00 852-30501935

RFQ Email: Info@DiGi-Electronics.com

DiGi is a global authorized distributor of electronic components.