

Amphenol
COMMUNICATIONS SOLUTIONS

<https://www.DiGi-Electronics.com>

-112500ULF Datasheet

DiGi Electronics Part Number	10127225-112500ULF-DG
Manufacturer	Amphenol ICC (FCI)
Manufacturer Product Number	10127225-112500ULF
Description	CONN PLUG 152POS PCB 2PAIR
Detailed Description	152 Connector Plug Through Hole Natural

Tel: +00 852-30501935

RFQ Email: Info@DiGi-Electronics.com

DiGi is a global authorized distributor of electronic components.

Purchase and inquiry

Manufacturer Product Number:

10127225-112500ULF

Series:

ExaMEZZ®

Connector Usage:

-

Connector Style:

-

Number of Positions Loaded:

All

Number of Rows:

8

Mounting Type:

Through Hole

Contact Layout, Typical:

-

Contact Finish:

-

Color:

Natural

Material Flammability Rating:

Manufacturer:

Amphenol ICC (FCI)

Product Status:

Active

Connector Type:

Plug

Number of Positions:

152

Pitch:

-

Number of Columns:

19

Termination:

Press-Fit

Features:

-

Contact Finish Thickness:

-

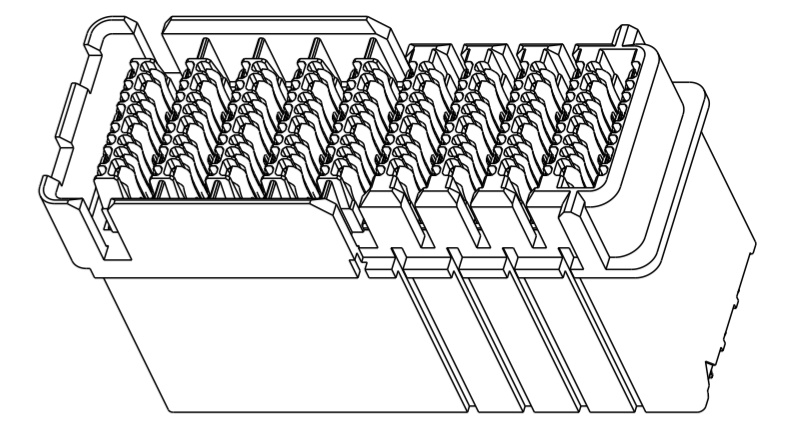
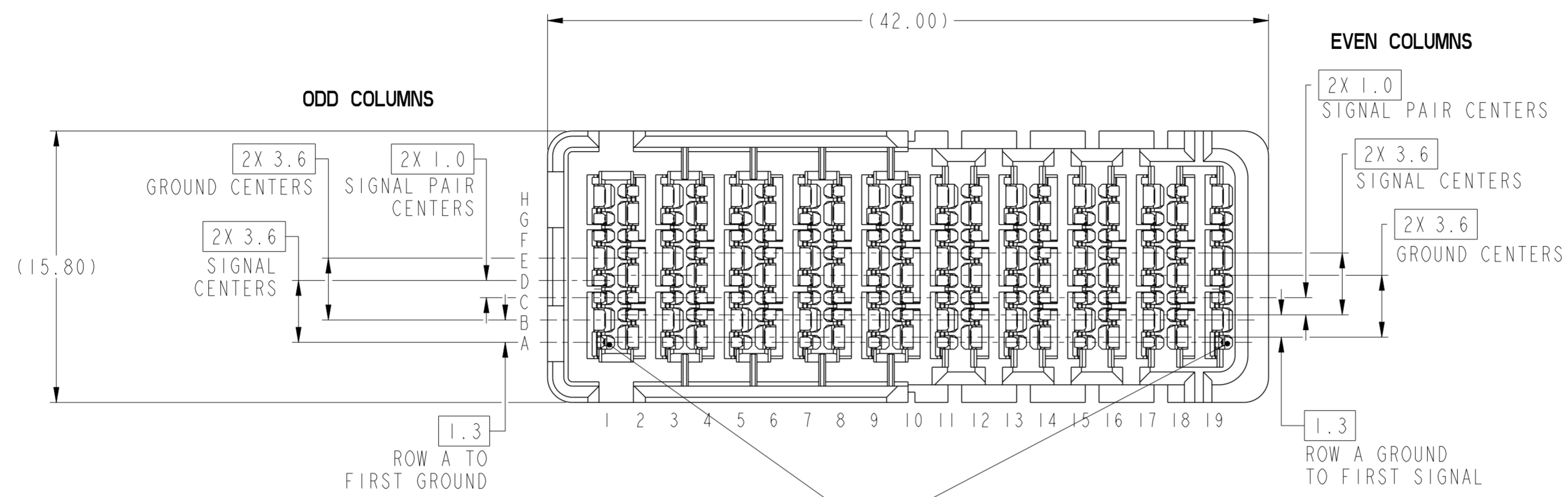
Current Rating (Amps):

-

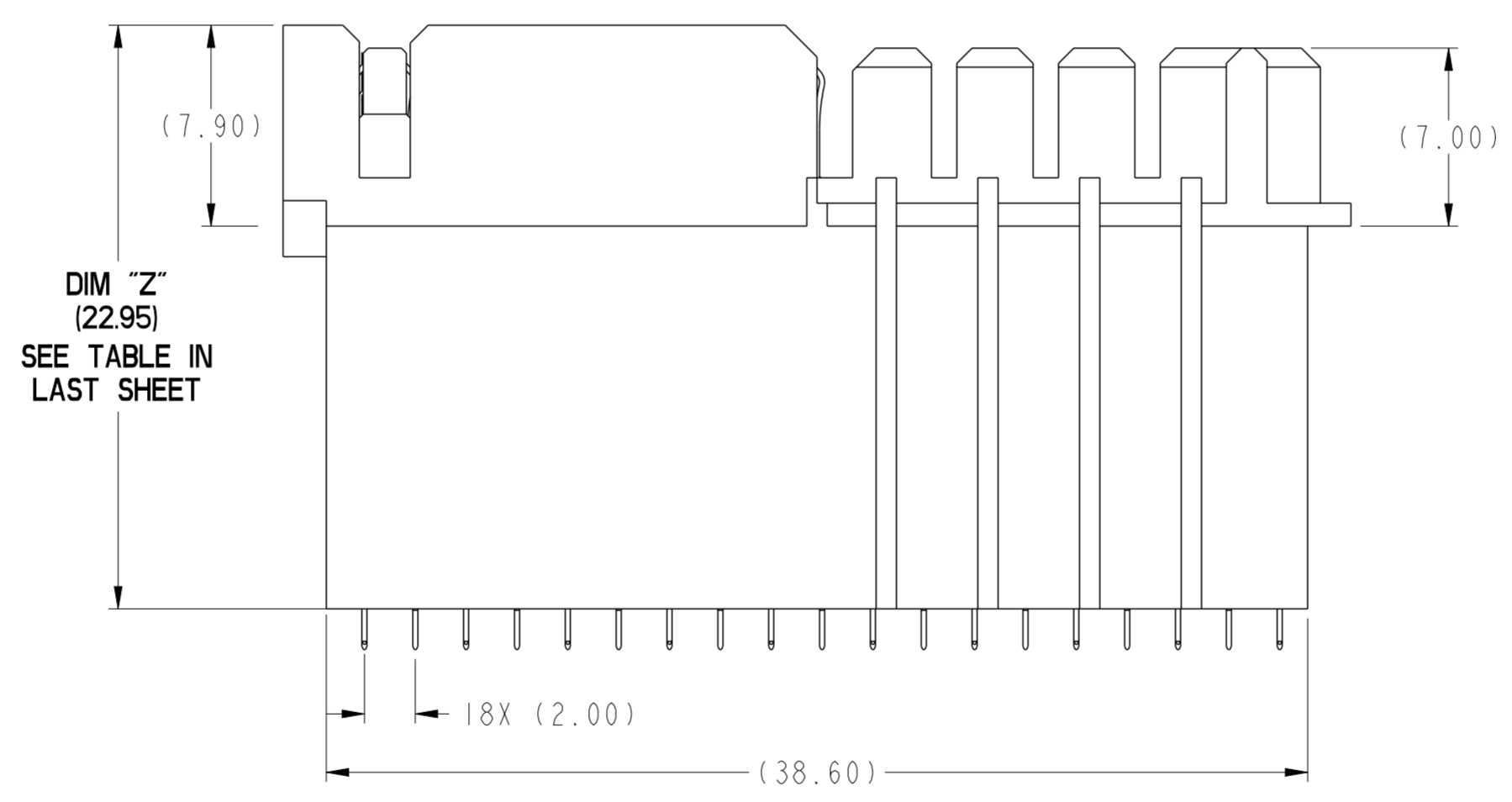
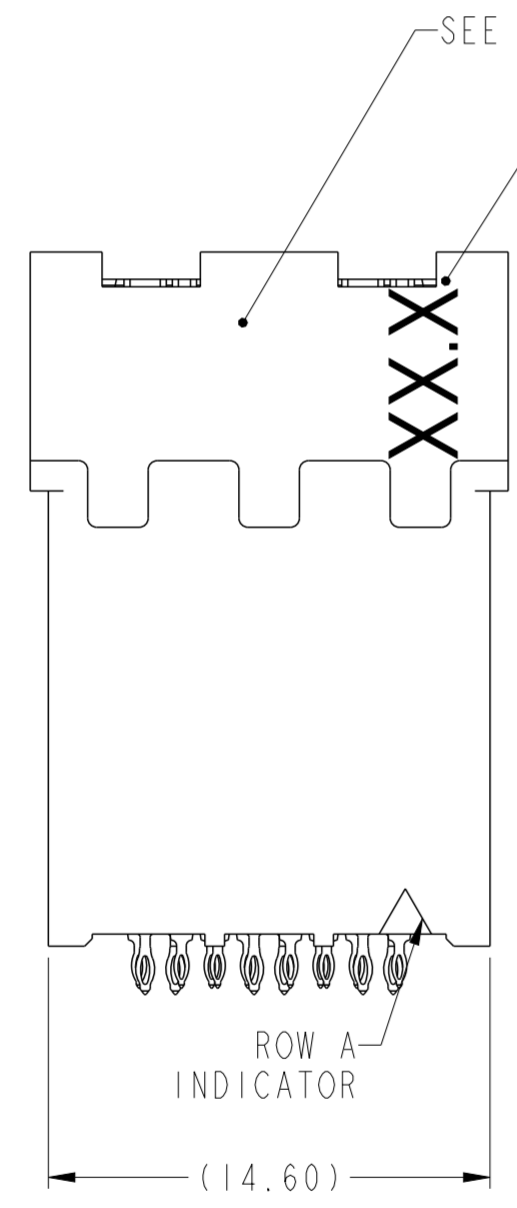
Operating Temperature:

10127225-112500ULF Amphenol ICC (FCI) CONN PLUG 152POS PCB⁶2PAIR

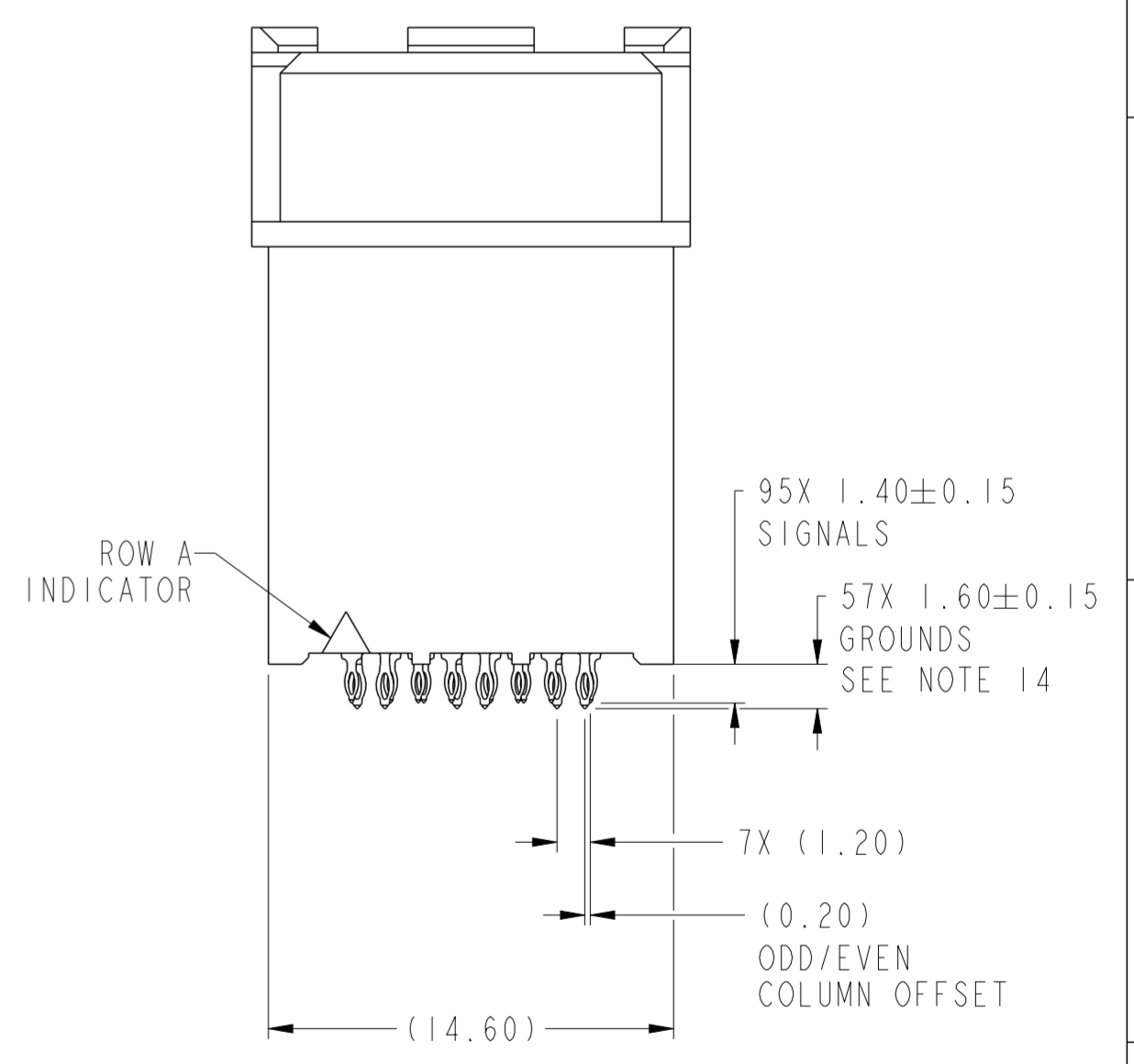
PRODUCT NUMBERS SEE TABLE ON LAST SHEET



SCALE 2:1



10127225-XXXXXXULF
(10127225-119500ULF SHOWN)
SCALE 4:1



spec ref	SEE NOTES	dr	Lauer mann, Mar	2013/09/10	projection	mm	size	A2	scale	4:1										
tolerance std	TOLERANCES UNLESS OTHERWISE SPECIFIED	eng	Zhou, Zoe (Xua)	2026/02/09		mm	ec n no	ELX-DG-46344-1	rel level	Released										
ASME Y14.5M		chr	-	app r			Heaven Cen	2026/02/09			product family	ExaMEZZ								
surface	<table border="1"> <tr> <td>linear</td> <td>0.X</td> <td>±0.3</td> </tr> <tr> <td></td> <td>0.XX</td> <td>±0.10</td> </tr> <tr> <td></td> <td>0.XXX</td> <td>±0.05</td> </tr> <tr> <td>angular</td> <td>0°</td> <td>±2°</td> </tr> </table>	linear	0.X	±0.3				0.XX			±0.10		0.XXX	±0.05	angular	0°	±2°	Amphenol FCI	title	ExaMEZZ CONNECTOR ASSEMBLY
linear	0.X	±0.3																		
	0.XX	±0.10																		
	0.XXX	±0.05																		
angular	0°	±2°																		

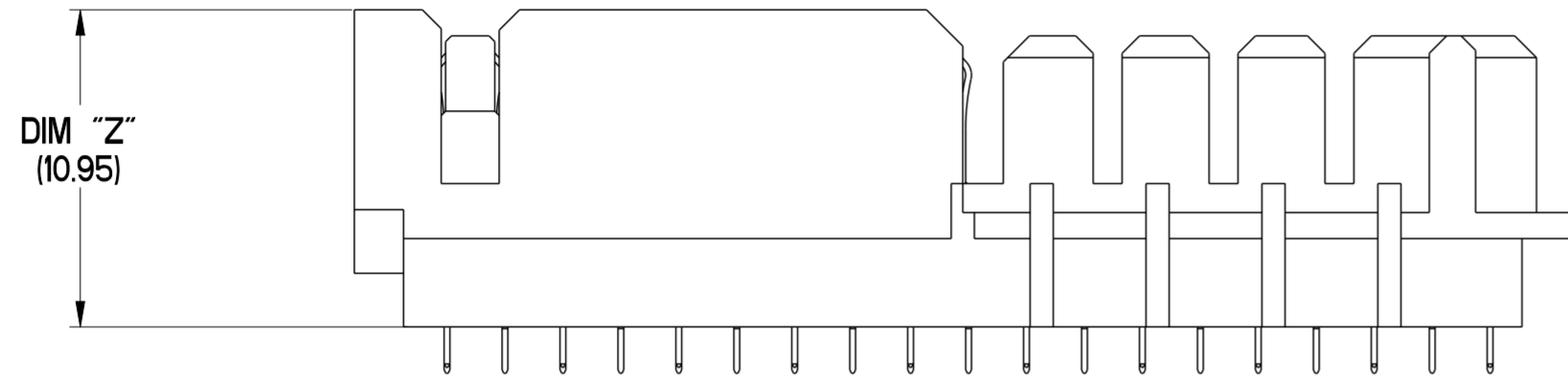
PDS: Rev :D

STATUS:Released

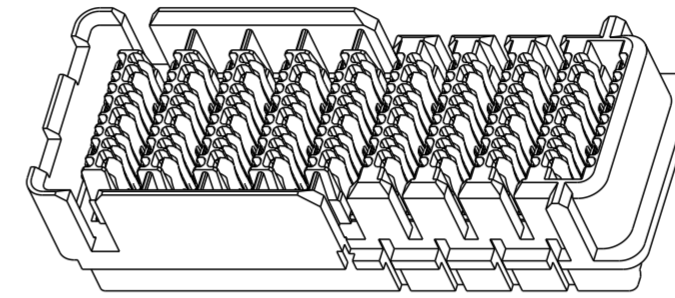
Printed: Feb 09, 2026

Amphenol FCI

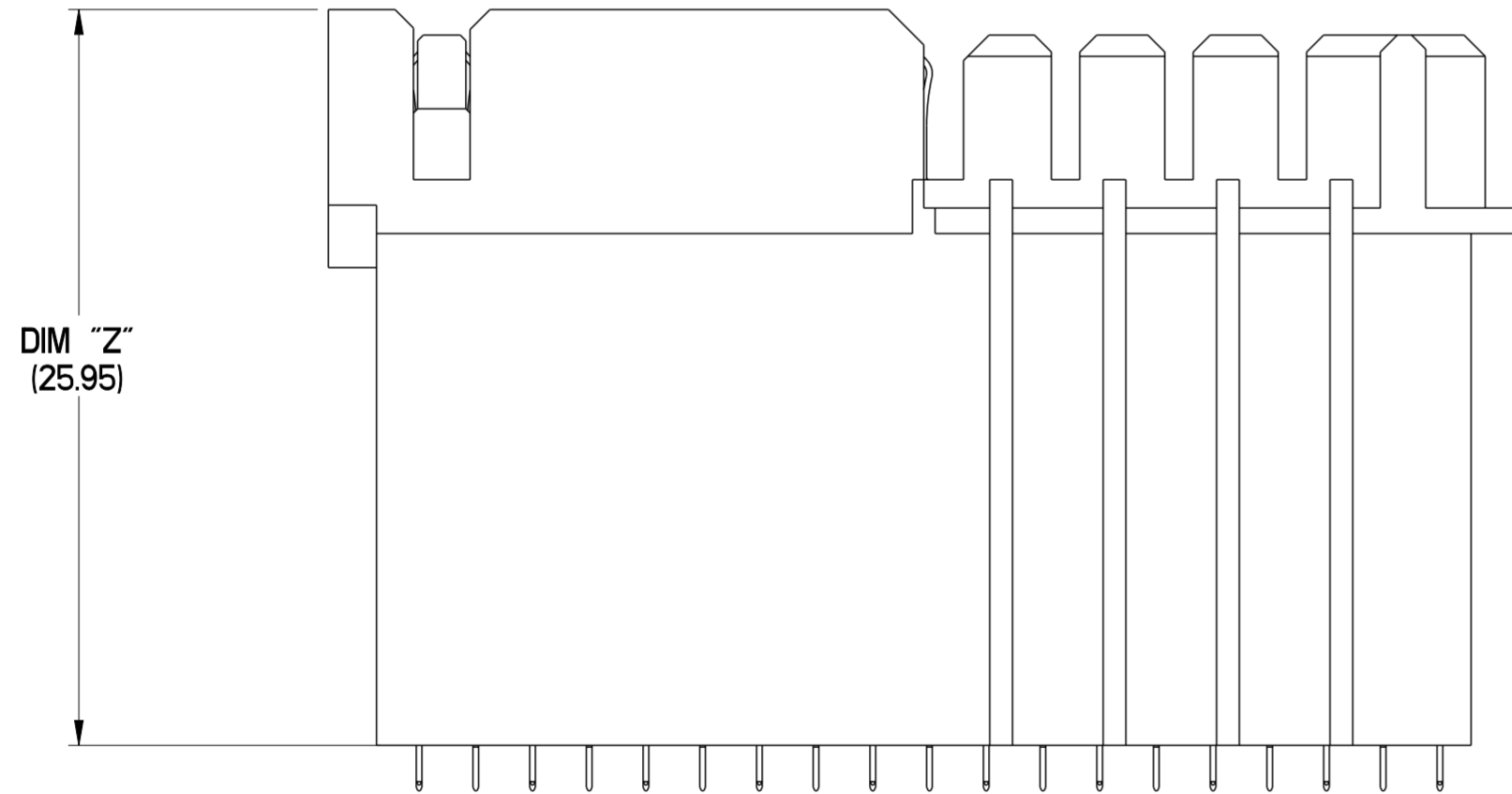
© 2020 Amphenol Corporation



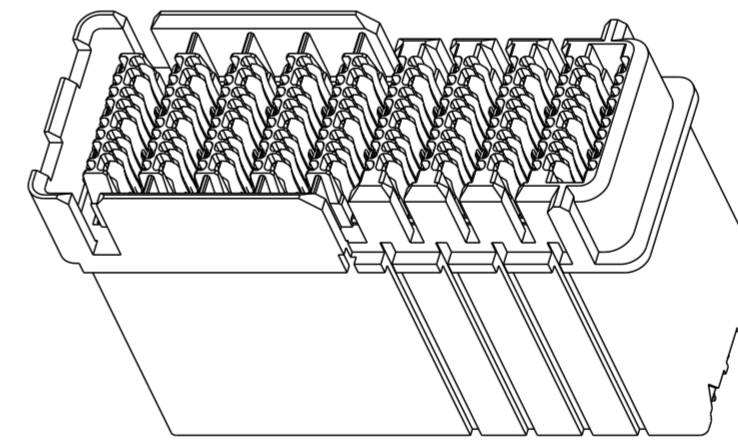
SHORTEST HEIGHT
10127225-107500ULF SHOWN
SCALE 4:1



SCALE 2:1



TALLEST HEIGHT
10127225-122500ULF SHOWN
SCALE 4:1

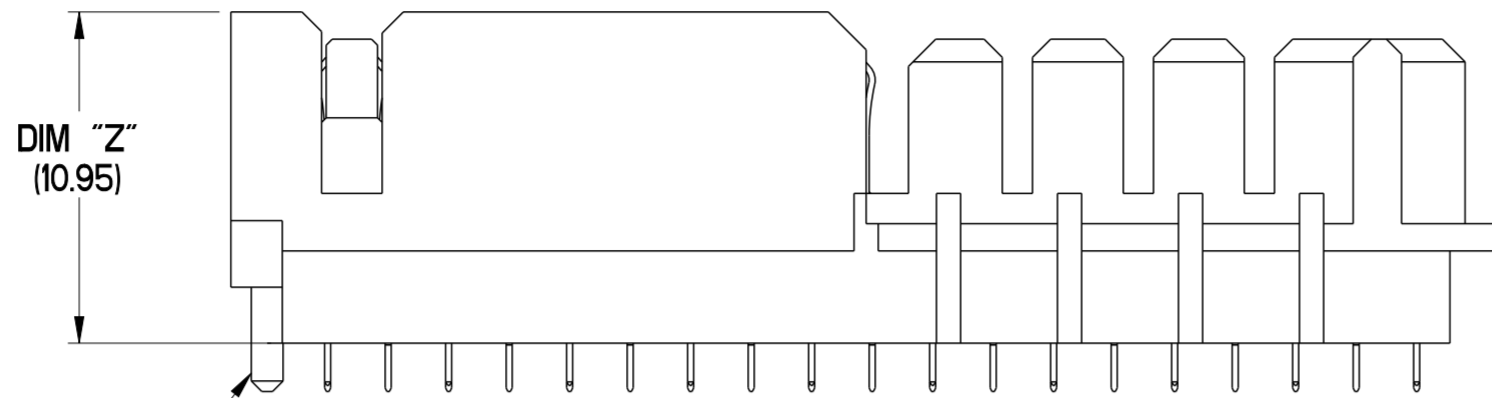
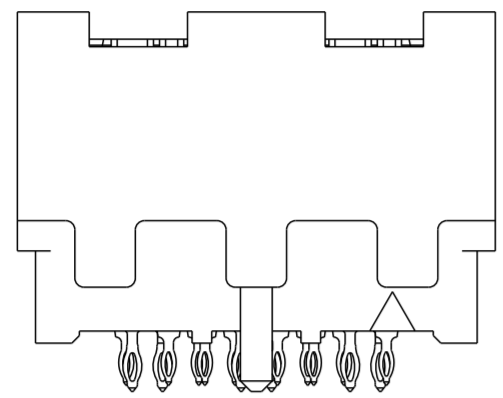


SCALE 2:1

Amphenol
FCI

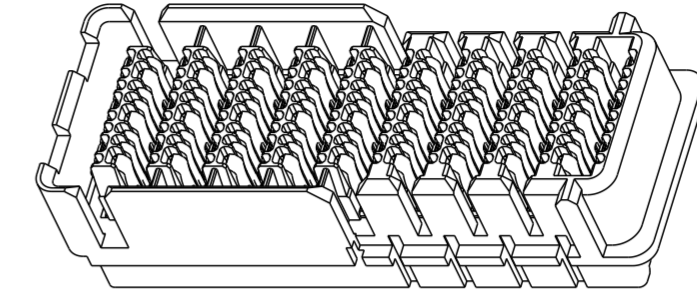
© 2020 Amphenol Corporation

spec ref	SEE NOTES	dr	Lauer mann, Mar	2013/09/10	projection	mm	size	A2	scale	4:1
tolerance std	TOLERANCES UNLESS OTHERWISE SPECIFIED	eng	Zhou, Zoe (Xua)	2026/02/09			ecn no	ELX-DG-46344-1		
ASME Y14.5M		chr	-	-			rel level	Released		
		appr	Heaven Cen	2026/02/09			product family	ExaMEZZ		
surface	linear 0.X ±0.3 0.XX ±0.10 0.XXX ±0.05 angular 0° ±2°	Amphenol FCI	title			ExaMEZZ CONNECTOR ASSEMBLY	div no	10127225		
			HERMAPHRODITIC, 2 PAIR, 19 IMLA			cat. no.	-	Product - Customer Drw		sheet 2 of 5

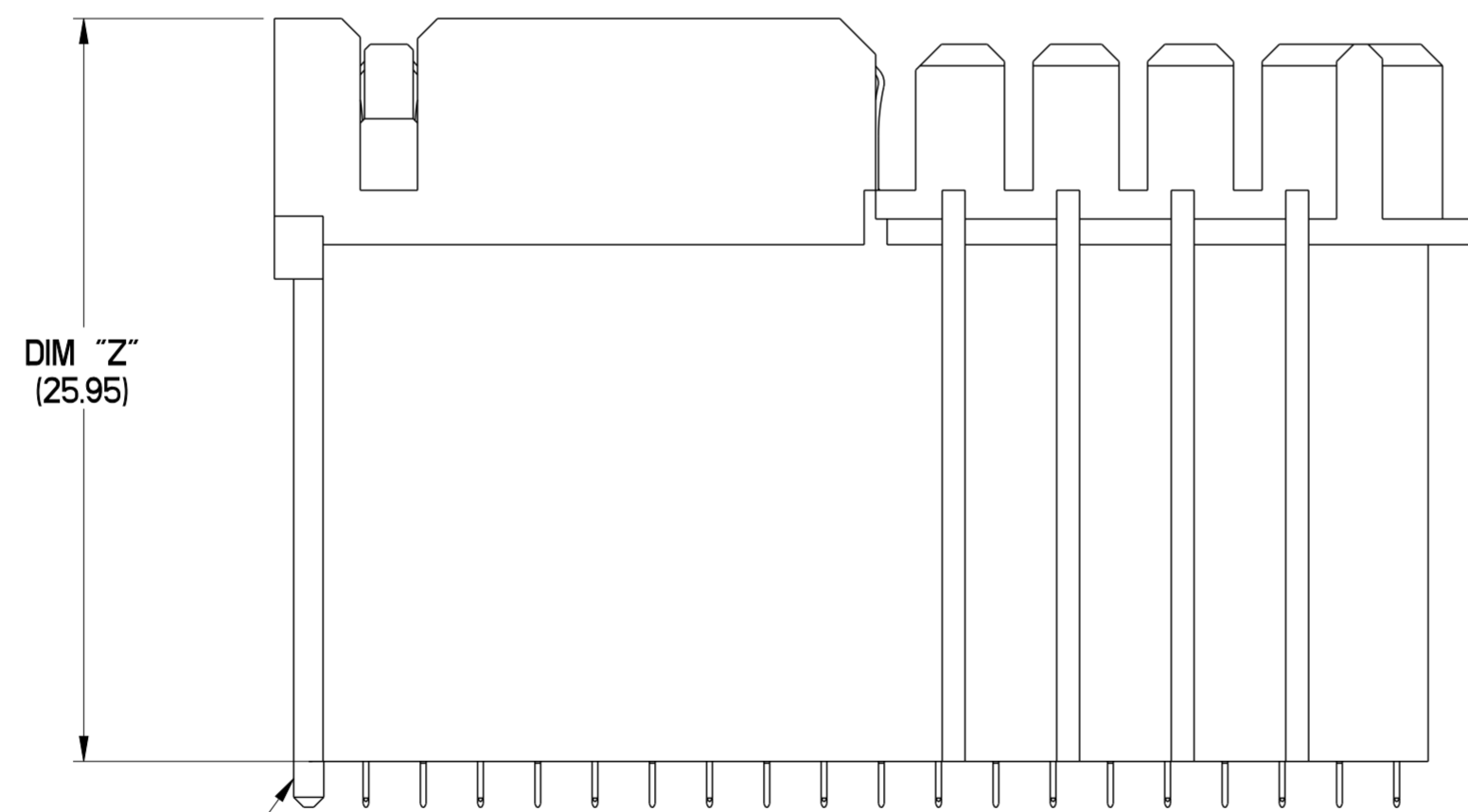
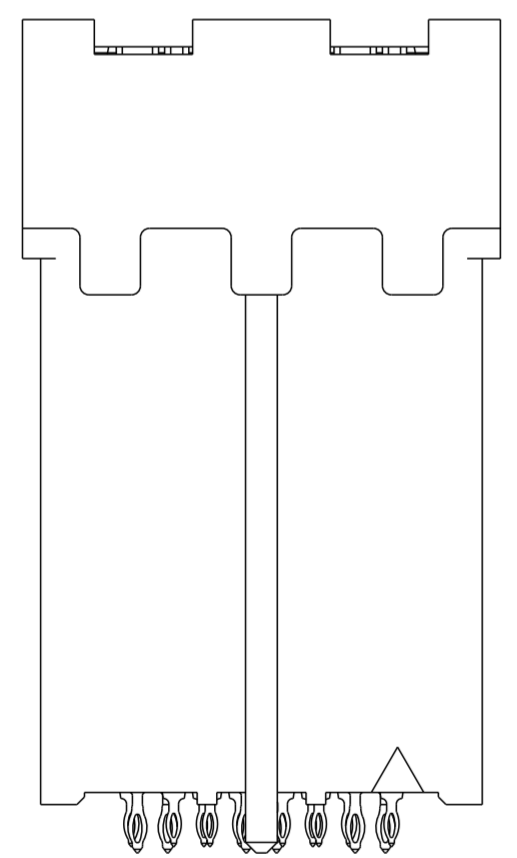


POLARIZING PEG

10127225-107500ELF SHOWN
SCALE 4:1

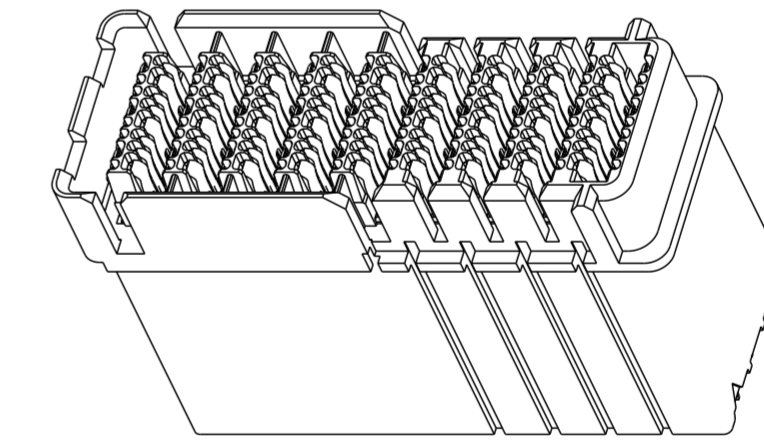


SCALE 2:1



POLARIZING PEG

10127225-122500ELF SHOWN
SCALE 4:1

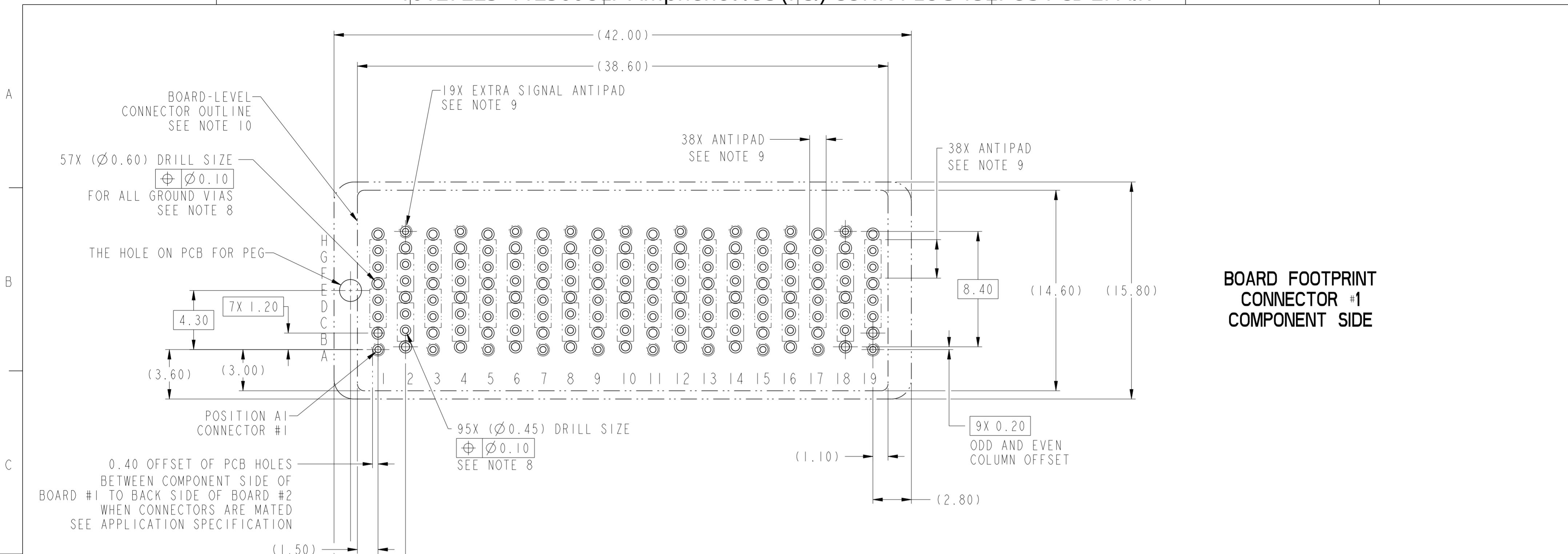


SCALE 2:1

Amphenol
FCi

© 2020 Amphenol Corporation

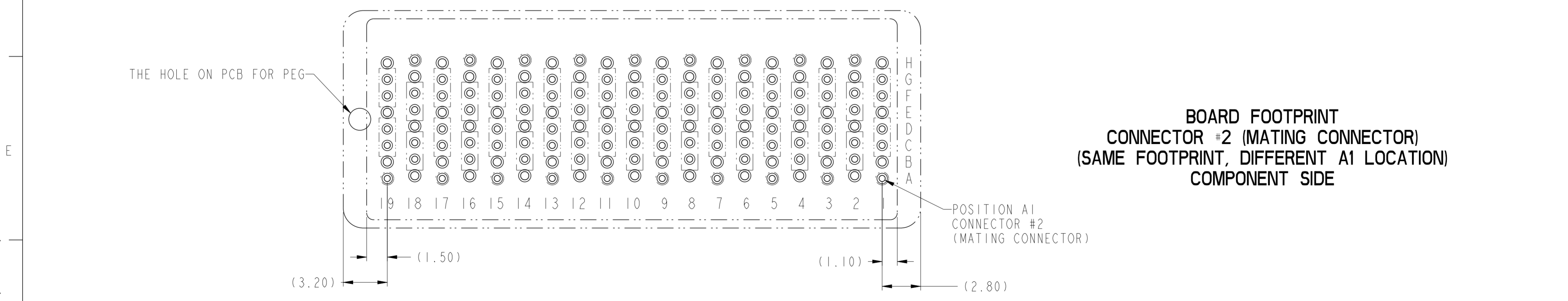
spec ref	SEE NOTES	dr	Lauermaun, Mar	2013/09/10	projection	mm	size	A2	scale	2:1
tolerance std	TOLERANCES UNLESS OTHERWISE SPECIFIED	eng	Zhou, Zoe (Xua)	2026/02/09			ecn no	ELX-DG-46344-1		
ISO 406		chr	-	rel level			Released			
ISO 1101		appr	Heaven Cen	2026/02/09	product family	ExaMEZZ	rel level	Released		
surface	linear	0.X	±0.3		title		ExaMEZZ CONNECTOR ASSEMBLY HERMAPHRODITIC, 2 PAIR, 19 IMLA	dwg no 10127225	rev D	cat. no. - Product - Customer Drw sheet 3 of 5
<input checked="" type="checkbox"/>	0.XX	±0.10								
	0.XXX	±0.05								
	angular	0°	±2°							



**BOARD FOOTPRINT
CONNECTOR #1
COMPONENT SIDE**

**10127225-XXXXXXLF
RECOMMENDED PCB LAYOUT**
SCALE 5:1

© 2020 Amphenol Corporation



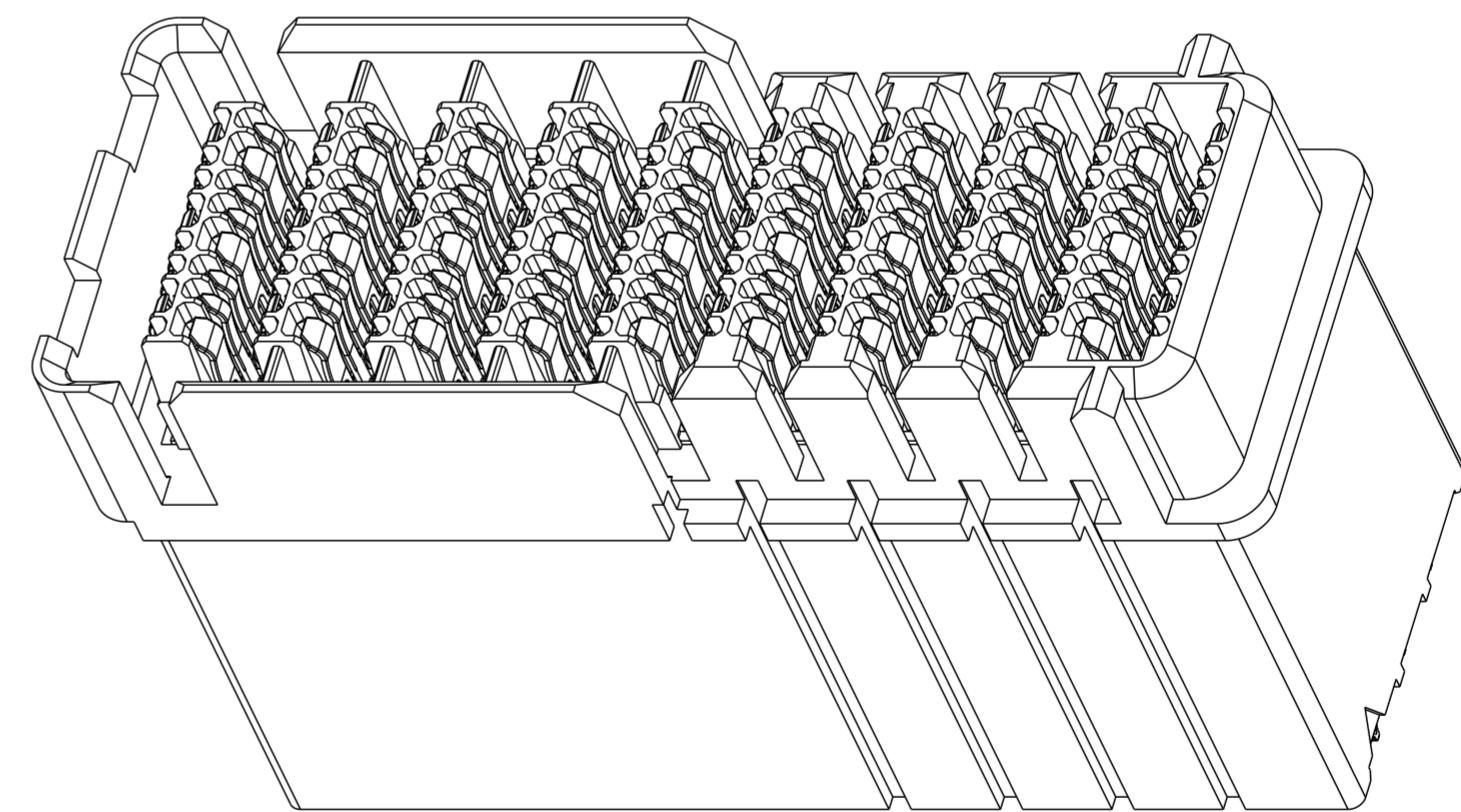
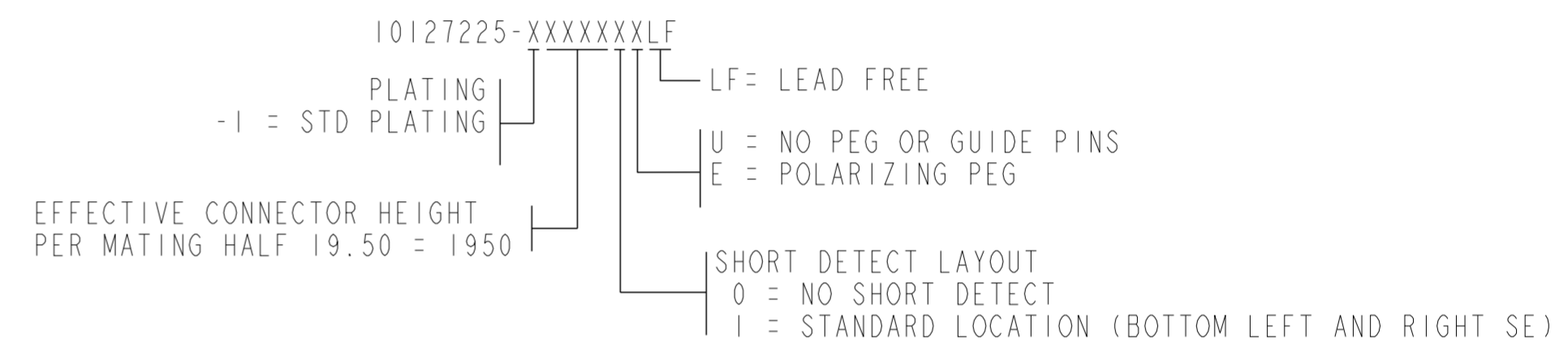
**BOARD FOOTPRINT
CONNECTOR #2 (MATING CONNECTOR)
(SAME FOOTPRINT, DIFFERENT A1 LOCATION)
COMPONENT SIDE**

spec ref	SEE NOTES	dr	Lauermann, Mar	2013/09/10	projection	mm	size	A2	scale	2:1								
tolerance std	TOLERANCES UNLESS OTHERWISE SPECIFIED	eng	Zhou, Zoe (Xua)	2026/02/09			ecn no	ELX-DG-46344-1										
ASME Y14.5M		chr	-	rel level			Released											
		appr	Heaven Cen	2026/02/09			product family	ExaMEZZ										
surface	<table border="1"> <tr> <td>linear</td> <td>0.X</td> <td>±0.3</td> </tr> <tr> <td></td> <td>0.XX</td> <td>±0.10</td> </tr> <tr> <td></td> <td>0.XXX</td> <td>±0.05</td> </tr> <tr> <td>angular</td> <td>0°</td> <td>±2°</td> </tr> </table>	linear	0.X	±0.3		0.XX	±0.10		0.XXX	±0.05	angular	0°	±2°	Amphenol FCI	title ExaMEZZ CONNECTOR ASSEMBLY HERMAPHRODITIC, 2 PAIR, 19 IMLA		dwg no 10127225	rev D
linear	0.X	±0.3																
	0.XX	±0.10																
	0.XXX	±0.05																
angular	0°	±2°																
		cat. no.	-		Product - Customer Drw	sheet 4 of 5												

10127225-112500ULF Amphenol ICC (FCI) CONN PLUG 152POS PCB⁶2PAIR

PRODUCT NUMBER	STACK HEIGHT EACH SIDE	DIM "Z"	SHORT DETECTS	POLARIZING PEG
10127225-107500ULF	7.5 mm	10.95	NO	NO
10127225-107501ULF	7.5 mm	10.95	YES	NO
10127225-111500ULF	11.5 mm	14.95	NO	NO
10127225-111501ULF	11.5 mm	14.95	YES	NO
10127225-112500ULF	12.5 mm	15.95	NO	NO
10127225-112501ULF	12.5 mm	15.95	YES	NO
10127225-119500ULF	19.5 mm	22.95	NO	NO
10127225-119501ULF	19.5 mm	22.95	YES	NO
10127225-122500ULF	22.5 mm	25.95	NO	NO
10127225-122501ULF	22.5 mm	25.95	YES	NO
10127225-107500ELF	7.5 mm	10.95	NO	YES
10127225-122500ELF	22.5 mm	25.95	NO	YES

- 1 - CONNECTOR MATERIALS:
HOUSING: HIGH TEMP THERMOPLASTIC, NATURAL, UL94-V0
IMLA PLASTIC: HIGH TEMP THERMOPLASTIC, BLACK, UL94-V0
CONTACT: COPPER ALLOY
- 2 - CONTACT PLATING:
SEPARABLE INTERFACE:
PERFORMANCE-BASED PLATING, QUALIFIED TO MEET THE REQUIREMENTS OF FCI PRODUCT SPECIFICATION GS-12-1150 INCLUDING TELCORDIA GR-1217-CORE (NOVEMBER 1995) CENTRAL OFFICE TEST SEQUENCE.
- PRESS-FIT TAILS:
TIN OVER NICKEL (LEAD-FREE)
- 3 - PRODUCT SPECIFICATION: GS-12-1150
- 4 - APPLICATION SPECIFICATION: GS-20-0373
- 5 - PRODUCT MARKING (PART NUMBER & LOT CODE) ON THIS SURFACE.
- 6 - LEAD FREE PRODUCT MEETS THE EUROPEAN UNION DIRECTIVES & OTHER COUNTRY REGULATIONS AS DESCRIBED IN GS-47-0004.
- 7 - PACKAGING MEETS GS-14-920 LEAD FREE LABELING SPECIFICATION.
- 8 - REFER TO CUSTOMER DRAWING 10119933 FOR INFORMATION ON PCB HOLE DIAMETERS AND PLATING OPTIONS
- 9 - REFER TO ROUTING GUIDE GS-20-0511 FOR RECOMMENDATIONS ON OPTIMIZATION OF FOOTPRINT AND TRACE ROUTING LAYOUT
- 10 - CONNECTOR OUTLINE MAY BE SCREEN PRINTED ONTO CUSTOMER PCB TO BE USED AS A GUIDE FOR MANUAL CONNECTOR PLACEMENT.
- 11 - PRODUCT STACK HEIGHT (7.5, 11.5, 12.5, 19.5, OR 22.5) LASER MARKED ON THIS SURFACE.
- 12 - THE SHORT DETECT CONNECTOR (WHEN MATED WITH A NON-SHORT DETECT CONNECTOR) WILL PROVIDE CONTACTS THAT MATE 1.00mm AFTER THE REMAINDER OF STANDARD LENGTH SIGNAL AND GROUND CONTACTS MATE. NEVER MATE A SHORT DETECT CONNECTOR WITH ANOTHER SHORT DETECT CONNECTOR.
- 13 - THE HOUSING WILL WITHSTAND EXPOSURE TO 260 °C PEAK TEMPERATURE FOR 10-30 SECONDS IN A CONVECTION, INFRA-RED, OR VAPOR PHASE REFLOW OVEN.
- 14 - ALL GROUND CONTACTS WITHIN A COLUMN ARE COMMONED



spec ref	SEE NOTES	dr	Lauermann, Mar	2013/09/10	projection	mm	size	A2	scale	4:1										
tolerance std	TOLERANCES UNLESS OTHERWISE SPECIFIED	eng	Zhou, Zoe (Xua)	2026/02/09			ecn no	ELX-DG-46344-1												
ASME Y14.5M		chr	-	appr			Heaven Cen	2026/02/09	product family	ExaMEZZ	rel level	Released								
surface	<table border="1"> <tr><td>linear</td><td>0.X</td><td>±0.3</td></tr> <tr><td></td><td>0.XX</td><td>±0.10</td></tr> <tr><td></td><td>0.XXX</td><td>±0.05</td></tr> <tr><td>angular</td><td>0°</td><td>±2°</td></tr> </table>	linear	0.X	±0.3				0.XX	±0.10		0.XXX	±0.05	angular	0°	±2°	Amphenol FCI		title ExaMEZZ CONNECTOR ASSEMBLY HERMAPHRODITIC, 2 PAIR, 19 IMLA		cat. no. -
linear	0.X	±0.3																		
	0.XX	±0.10																		
	0.XXX	±0.05																		
angular	0°	±2°																		

Amphenol FCI

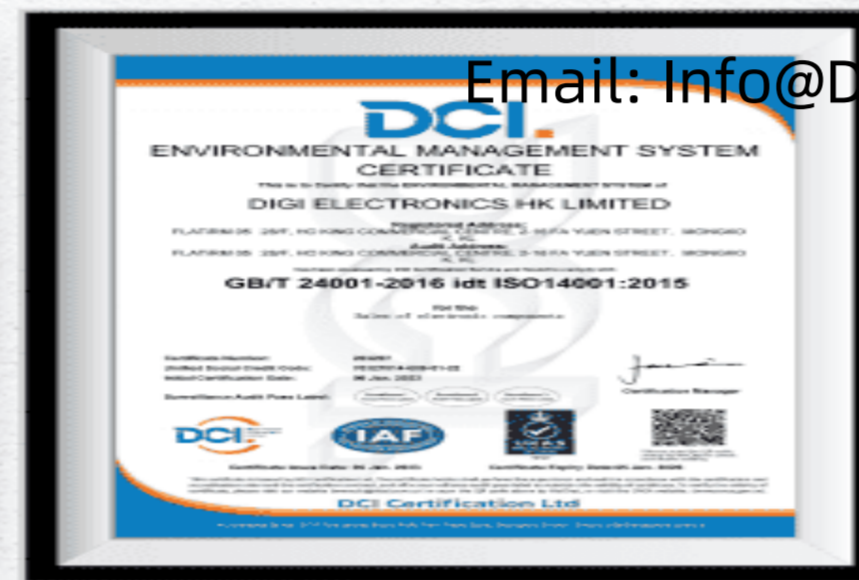
© 2020 Amphenol Corporation

Creo File:ELX-MC-ACC_REV F_2020-12-21

OUR CERTIFICATE

DiGi provide top-quality products and perfect service for customer worldwide through standardization, technological innovation and continuous improvement. DiGi through third-party certification, we striciy control the quality of products and services. Welcome your RFQ to

Email: Info@DiGi-Electronics.com



Tel: +00 852-30501935

RFQ Email: Info@DiGi-Electronics.com

DiGi is a global authorized distributor of electronic components.