

www.digi-electronics.com



DEM09P Datasheet

DiGi Electronics Part Number	DEM09P-DG
Manufacturer	Amphenol ICC (FCI)
Manufacturer Product Number	DEM09P
Description	CONN D-SUB PLUG 9POS SLDR CUP

<https://www.DiGi-Electronics.com>

Detailed Description 9 Position D-Sub Plug, Male Pins Connector

This model DEM09P is available at DiGi Electronics.

DiGi Electronics offers a global database of semiconductor and electronic component datasheets.

We welcome your inquiries regarding pricing, lead time, or other product-related questions.

 [Request a Quote](#)

 [Datasheet Search](#)

Tel: +00 852-30501935

RFQ Email: Info@DiGi-Electronics.com

DiGi is a global authorized distributor of electronic components.

Purchase and inquiry

Manufacturer Product Number:

DEM09P

Series:

DM HE501

Connector Style:

D-Sub

Number of Positions:

9

Mounting Type:

Free Hanging (In-Line)

Contact Type:

Signal

Termination:

Solder Cup

Contact Finish:

Gold

Ingress Protection:

-

Current Rating (Amps):

7.5A per Contact

Features:

Manufacturer:

Amphenol ICC (FCI)

Product Status:

Active

Connector Type:

Plug, Male Pins

Number of Rows:

2

Shell Size, Connector Layout:

1 (DE, E)

Flange Feature:

Housing/Shell (Unthreaded)

Shell Material, Finish:

Steel, Yellow Cadmium Plated

Contact Finish Thickness:

-

Material Flammability Rating:

UL94 V-0

Backset Spacing:

-

Voltage Rating:

DBML25P043

REFERENCE SPECIFICATIONS

-NFC 93425 (in compliance with HE 501)

PHYSICAL CHARACTERISTICS

-INSULATOR MATERIAL: THERMOPLASTIC UL94V0

-CONTACT MATERIAL: BRASS
GOLD OVER NICKEL

-ACCESSORIES: BRASS, cadmium plated yellow passivation

-SHELLS: STEEL, cadmium plated yellow passivation

ELECTRICAL CHARACTERISTICS

-NOMINAL CURRENT: 7.5A

-CONTACT RESISTANCE: <= 7.3 m ohms

-CONTACT/CONTACT : >=1000 V

-CONTACT/GROUND : >=1200 V

-INSULATION RESISTANCE: >=5000 MOhms

ENVIRONMENTAL CHARACTERISTICS

- CLIMATIC CATEGORY: 55/125/56

TEMPERATURE RANGE -55°C TO +125°C

DAMP HEAT STEADY STATE 56 DAYS

SALT SPRAY 48 HOURS

MECHANICAL CHARACTERISTICS

- RETENTION AGAINST TORQUE: - Threaded insert: 0.7 N.m minimum

- Female screw : 0.5 N.m minimum

Series

Shell size: **E A B C D**
see sheet 2

Front accessory definition
see sheet 2

- Blank** : without accessory
- F** : floating mounting
- L** : threaded insert M3
- O** : threaded insert UNC 4-40
- V** : female screw UNC 4-40

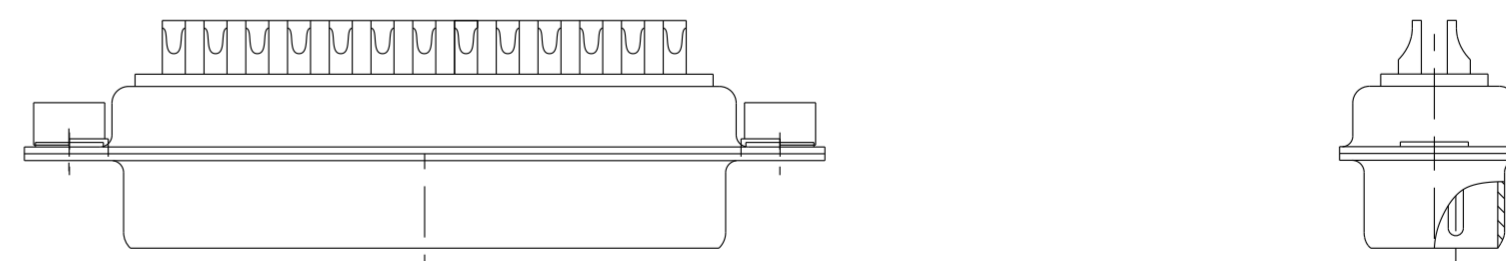
Contact number (see sheet 2)
9,15,25,37,50

Contacts

P : Pin

Plating

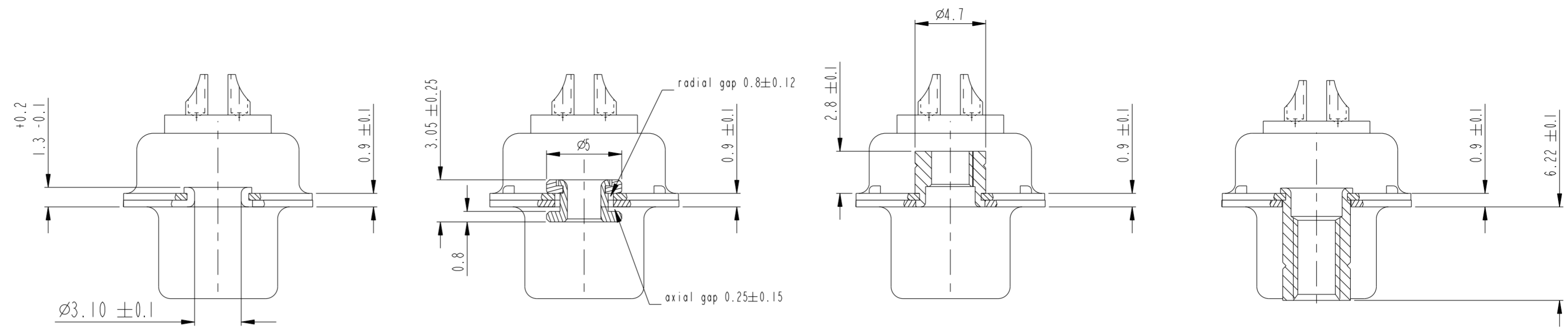
- Blank** : solder bucket 500 matings/unmatings
- 043** : solder bucket 500 matings/unmatings
for harsh environment



25 WAY for Example

spec ref	dr	1, Product Eng	2015/06/15	projection	mm	size	A2	scale	1:1
tolerance std	eng	Gregar Mathew	2021/12/07			ecn no	ELX-42954-1		
ISO 406	chr	-	-				rel level	Released	
ISO 1101	appr	Kuriakose, San	2021/12/07	product family	-	-	-	-	-
surface	linear	Amphenol FCI D-SUB MALE DM HE501series with solder buckets		cat. no.	-	Product - Customer Drw	sheet 1 of 4	rev	D
ISO 1302	angular	0°	±1°	amphenol-icc.com	-	-	-	-	-

DEM09P Amphenol ICC (FCI) CONN D-SUB PLUG 9POS SLDR CUP



FRONT ACCESSORY	Blank without	F floating mounting	L insert M3 O insert UNC 4.40	V female screw UNC 4.40
-----------------	---------------	---------------------	----------------------------------	-------------------------

PART NUMBER	FRONT ACCESSORY
D*MxxP	without
D*MFxxP	floating mounting
D*MLxxP	insert M3
D*MOxxP	insert UNC 4.40
D*MVxxP	female screw UNC 4.40

shell size	Contact number
*	XX
E	09
A	15
B	25
C	37
D	50

PART NUMBER	FRONT ACCESSORY
D*MxxP043	without
D*MFxxP043	floating mounting
D*MLxxP043	insert M3
D*MOxxP043	insert UNC 4.40
D*MVxxP043	female screw UNC 4.40

CROSS REFERENCES HE501 and FCI

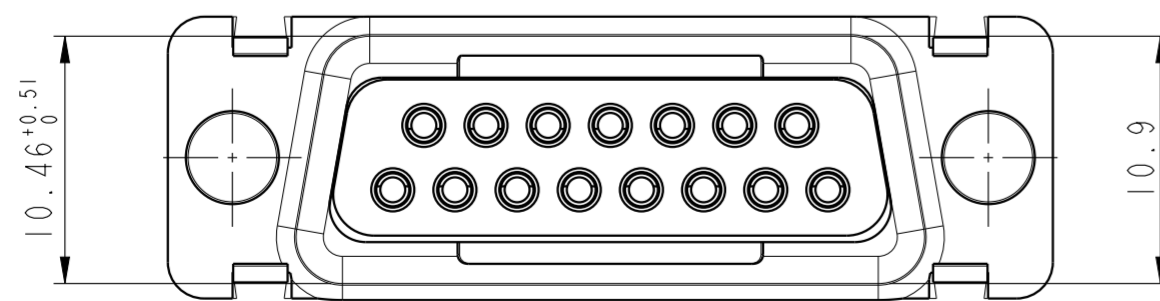
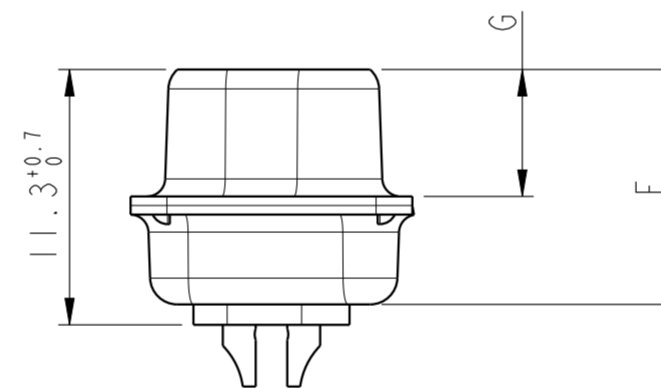
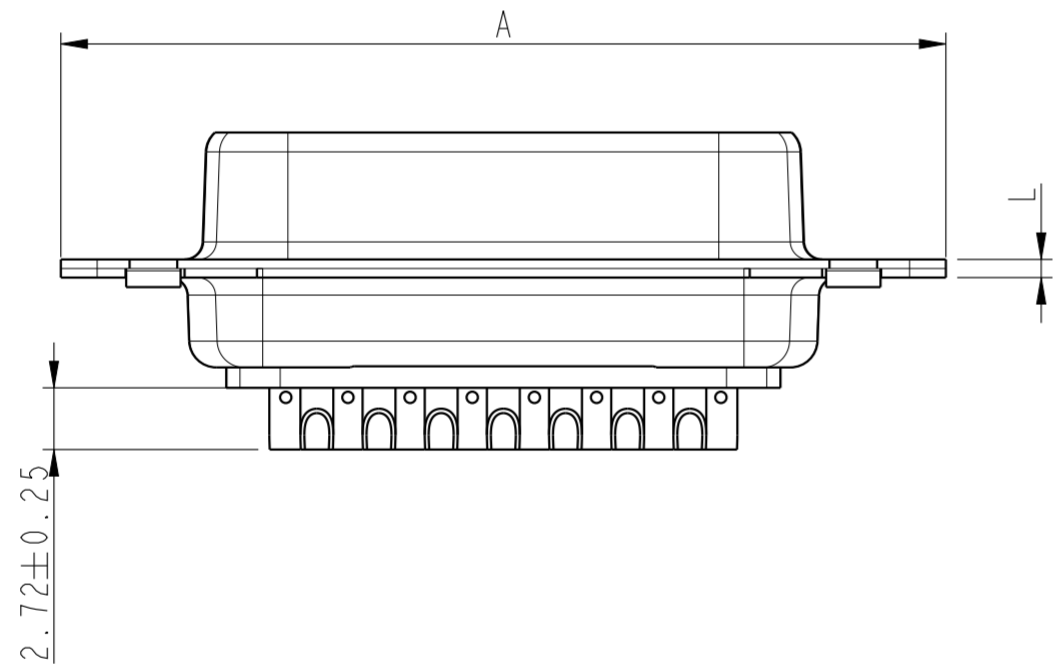
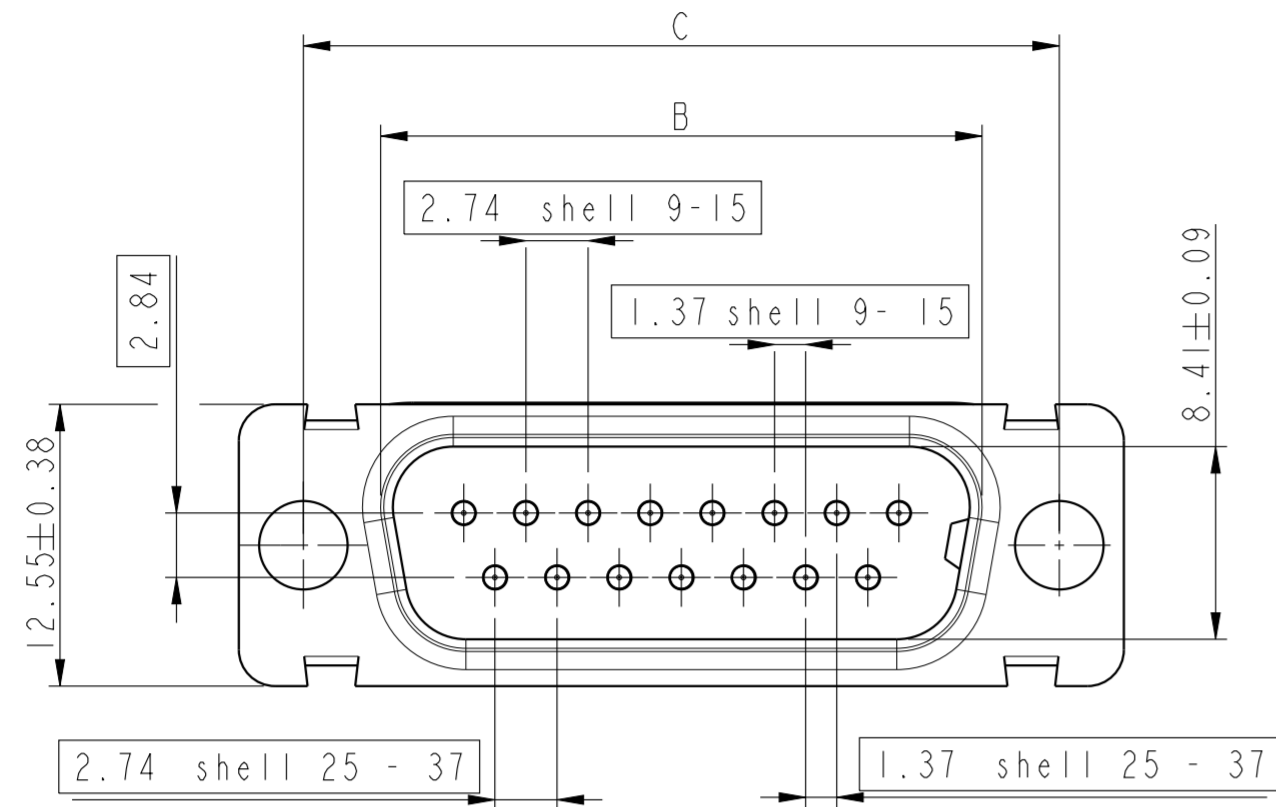
HE501 P/N	FCI P/N	FRONT ACCESSORY
HE501NxxAP	D*MxxP	without
HE501FxxAP	D*MFxxP	floating mounting

spec ref	dr 1, Product Eng	2015/06/15	projection	mm	size A2	scale 1:1
tolerance std	eng Gregar Mathew	2021/12/07			ecn no ELX-42954-1	rel level Released
ISO 406 ISO 1101	chr -	2021/12/07				
TOLERANCES UNLESS OTHERWISE SPECIFIED	appr Kuriakosa, San	2021/12/07	Amphenol FCI		title D-SUB MALE DM HE501series with solder buckets	
surface	linear	0.X ±0.3 0.XX ±0.1 0.XXX ±0.05	cat. no. -		dwg no C01-8637-1737	rev D
ISO 1302	angular	0° ±1°	Product - Customer Drw		sheet 2 of 4	

DIMENSIONS FOR SHELL E, A, B, C

Dimensions are in millimeters

Shell size	Number of contacts	A ^{+0.76} ₋₀	B ^{+0.25} ₋₀	C ±0.12	F ^{+0.57} ₋₀	G ^{+0.25} ₋₀	H ^{+0.51} ₋₀	L ^{+0.22} ₋₀
E	09	30.43	16.91	24.99	10.47	5.9 ^{+0.15} ₋₀	19.02	0.80
A	15	38.76	25.24	33.32	10.47	5.9 ^{+0.15} ₋₀	27.25	0.80
B	25	52.65	38.96	47.04	10.40	5.7 ^{+0.25} ₋₀	41.02	0.80
C	37	68.96	55.42	63.50	10.56	5.7 ^{+0.25} ₋₀	57.45	0.90

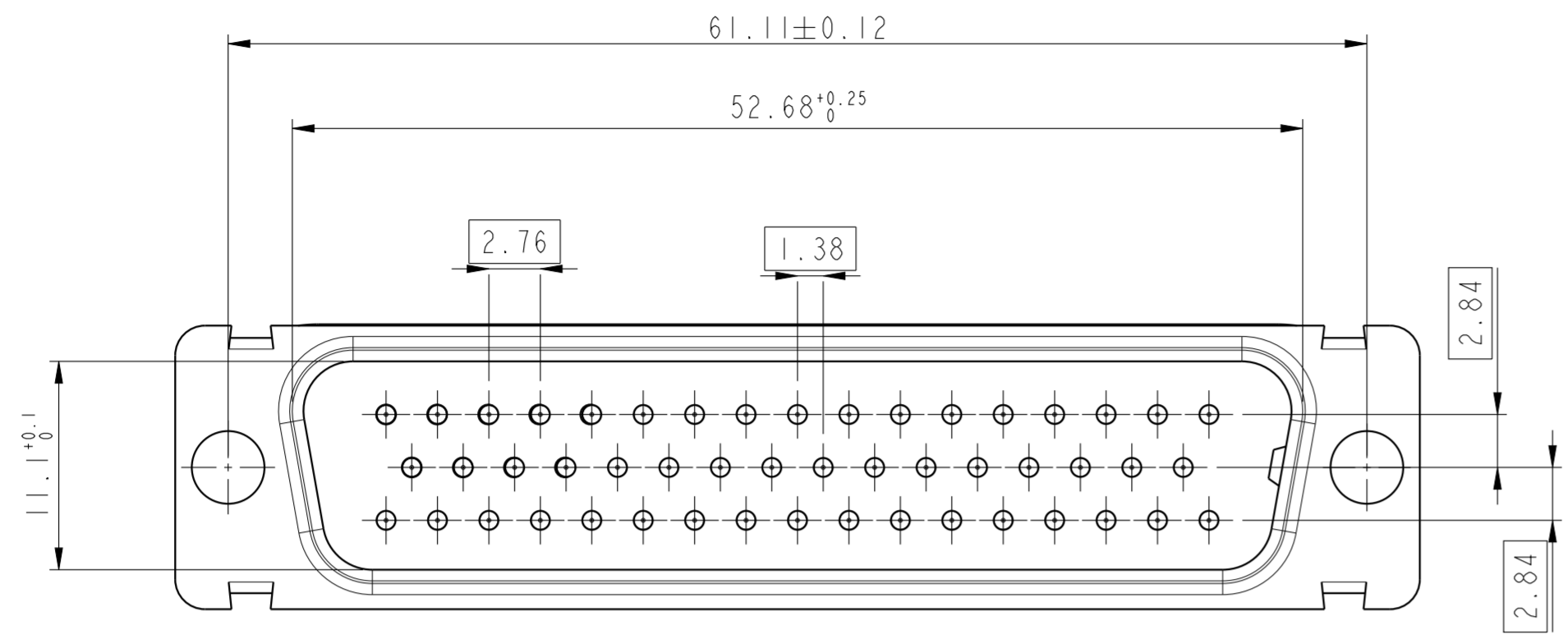


SCALE 3:1

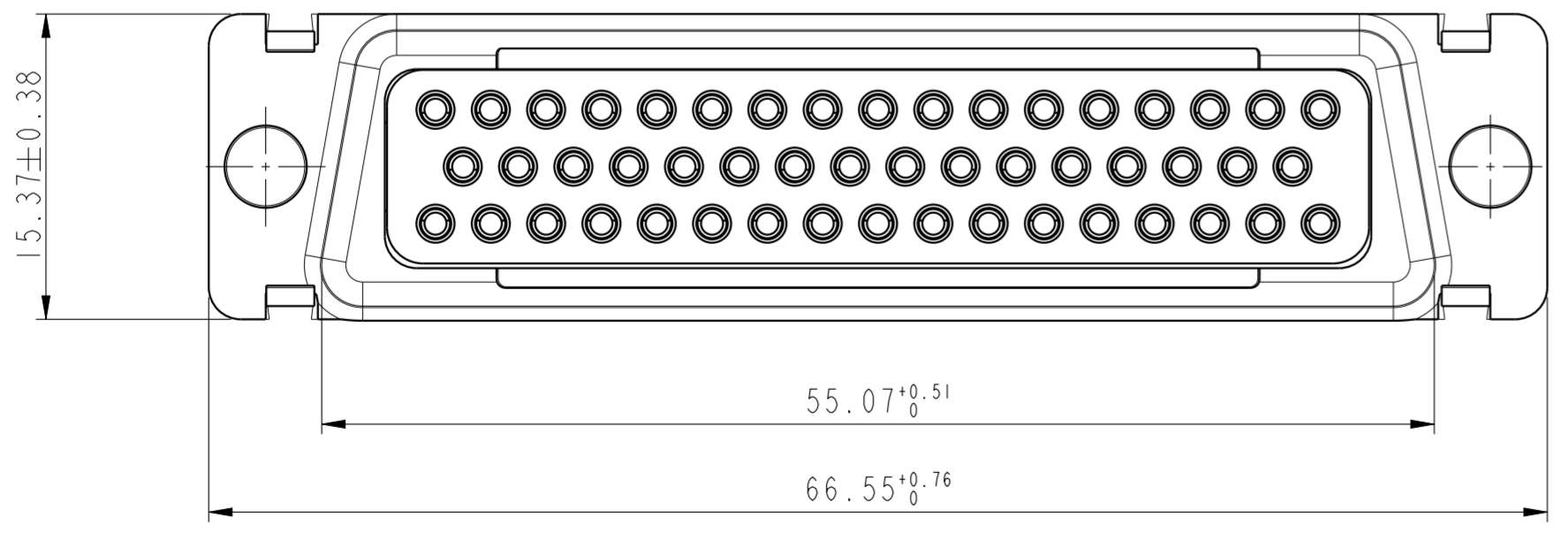
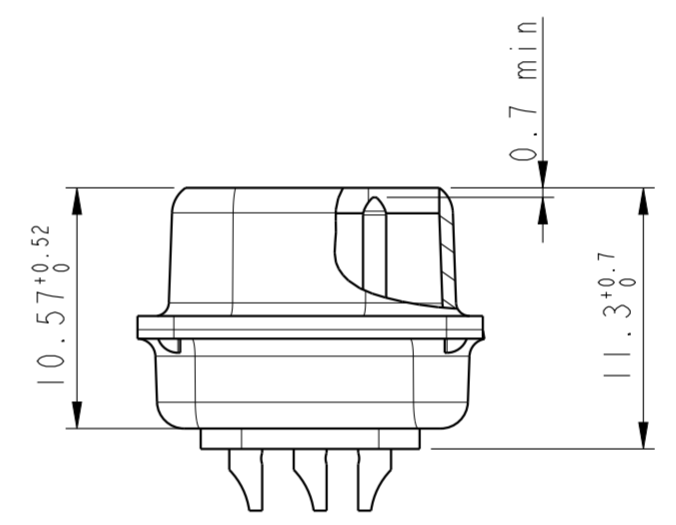
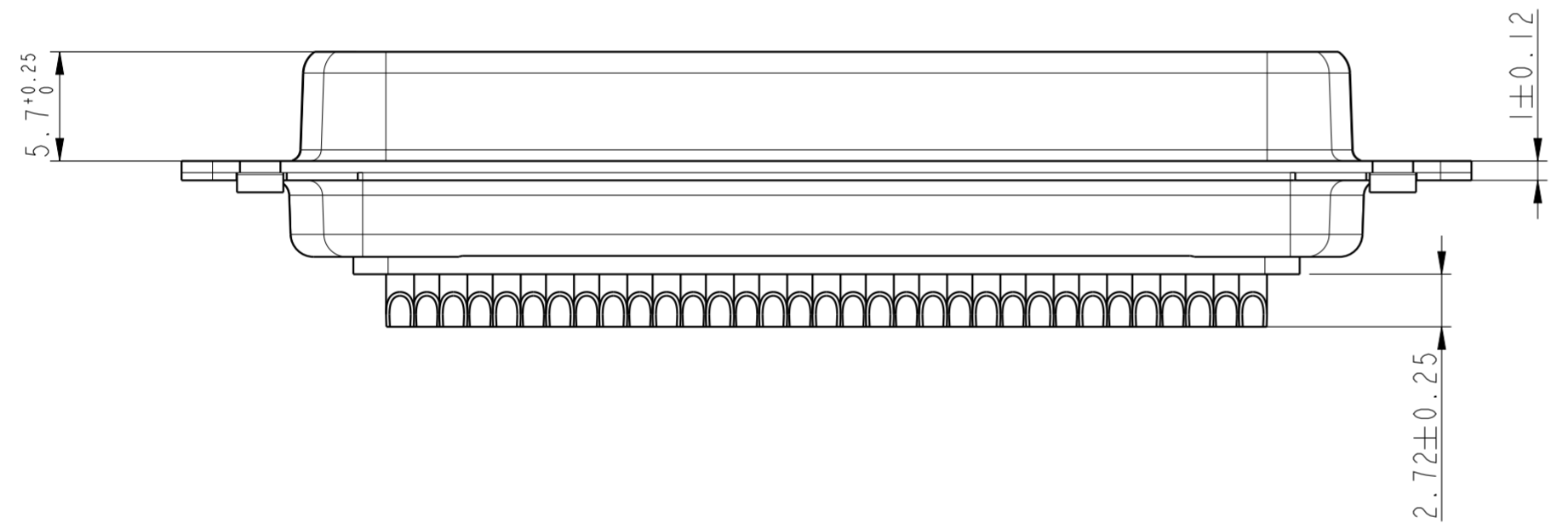
spec ref	dr	1, Product Eng	2015/06/15	projection	mm	size	A2	scale	1:1
tolerance std	eng	Gregar Mathew	2021/12/07			ecn no	ELX-42954-1		
ISO 406	chr	-	rel level				Released		
ISO 1101	appr	Kuriakosa, San	2021/12/07	product family	-				
surface	linear			Amphenol FCI		D-SUB MALE DM HE501series with solder buckets		C01-8637-1737	rev D
ISO 1302	angular	0°	±1°	amphenol-icc.com	cat. no.	Product - Customer Drw		sheet 3 of 4	

DEM09P Amphenol ICC (FCI) CONN D-SUB PLUG 9POS SLDR CUP

DIMENSIONS FOR SHELL SIZE D (50 CONTACTS)



SCALE 3:1



Amphenol
FCi

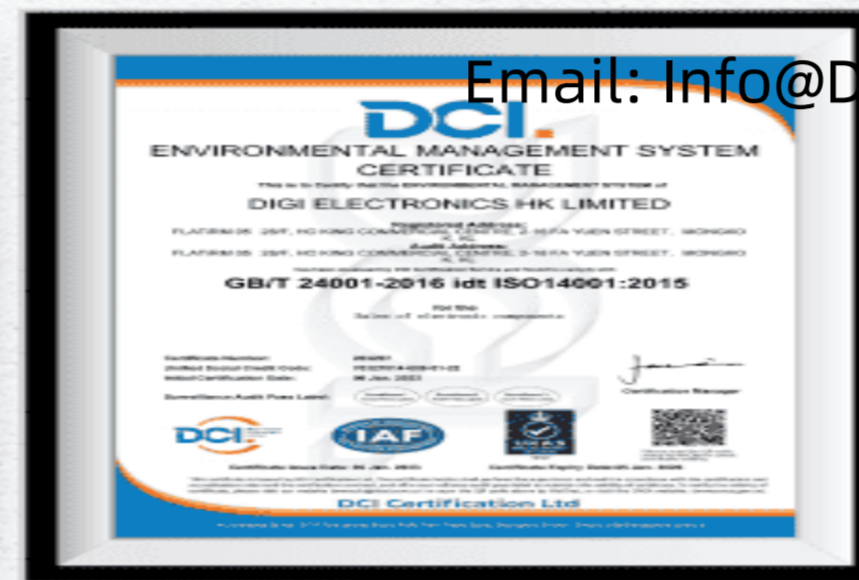
© 2020 Amphenol Corporation

spec ref	dr	1, Product Eng	2015/06/15	projection	mm	size	A2	scale	1:1
tolerance std	eng	Gregar Mathew	2021/12/07			ecn no	ELX-42954-1		
ISO 406	chr	-	rel level				Released		
ISO 1101	appr	Kuriakose, San	2021/12/07	product family	-				
surface	linear	0.X	±0.3			title D-SUB MALE DM HE501series with solder buckets		dwg no C01-8637-1737	rev D
ISO 1302	angular	0°	±1°	amphenol-icc.com	cat. no. -	Product - Customer Drw	sheet 4 of 4		

OUR CERTIFICATE

DiGi provide top-quality products and perfect service for customer worldwide through standardization, technological innovation and continuous improvement. DiGi through third-party certification, we stricy control the quality of products and services. Welcome your RFQ to

Email: Info@DiGi-Electronics.com



Tel: +00 852-30501935

RFQ Email: Info@DiGi-Electronics.com

DiGi is a global authorized distributor of electronic components.