



DG3N9N9LF Datasheet

DiGi Electronics Part Number	HM2P09PDG3N9N9LF-DG
Manufacturer	Amphenol ICC (FCI)
Manufacturer Product Number	HM2P09PDG3N9N9LF
Description	CONN HEADER 66POS 2MM PRESS-FIT

<https://www.DiGi-Electronics.com>

Detailed Description

66 (55 + 11 Ground) Position Header, Male Pins Connector, 0.079" (2.00mm) Through Hole

This model HM2P09PDG3N9N9LF is available at [DiGi Electronics](#).

DiGi Electronics offers a global database of semiconductor and electronic component datasheets.

We welcome your inquiries regarding pricing, lead time, or other product-related questions.

 [Request a Quote](#)

 [Datasheet Search](#)

Tel: +00 852-30501935

RFQ Email: Info@DiGi-Electronics.com

DiGi is a global authorized distributor of electronic components.

Purchase and inquiry

Manufacturer Product Number:

HM2P09PDG3N9N9LF

Series:

Millipacs®

Connector Type:

Header, Male Pins

Number of Positions:

66 (55 + 11 Ground)

Pitch:

0.079" (2.00mm)

Mounting Type:

Through Hole

Connector Usage:

-

Contact Finish Thickness:

30.0µin (0.76µm)

Voltage Rating:

750Vrms

Features:

Board Guide

Manufacturer:

Amphenol ICC (FCI)

Product Status:

Active

Connector Style:

C 11

Number of Positions Loaded:

All

Number of Rows:

5 + 1

Termination:

Press-Fit

Contact Finish:

Gold

Current Rating (Amps):

1.5 A

Operating Temperature:

-55°C ~ 125°C

Base Product Number:

HM2P09

DiGi is a global authorized distributor of electronic components.

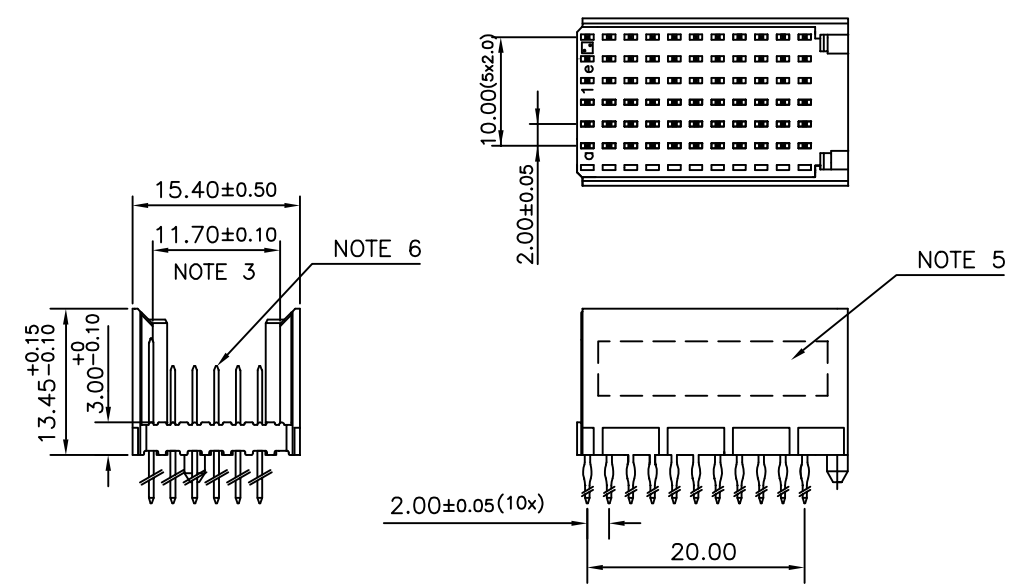
HM2P09PDG3N9N9LF Amphenol ICC (FCI) CONN HEADER 66POS 2MM PRESS-FIT

1 | 2 | 3 | 4 | 5 | 6

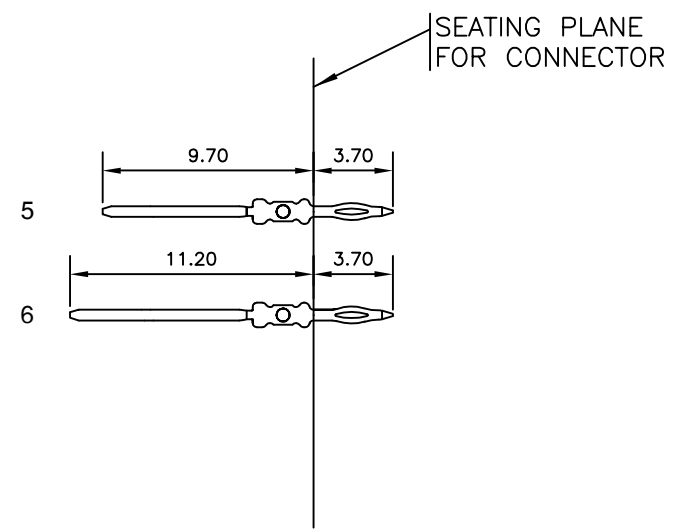
LOADING PATTERN MATING SIDE

f	6	6	6	6	6	6	6	6	6	6
e	5	5	5	5	5	5	5	5	5	5
d	5	5	5	5	5	5	5	5	5	5
c	6	6	6	6	6	6	6	6	6	6
b	5	5	5	5	5	5	5	5	5	5
a	5	5	5	5	5	5	5	5	5	5
z	0	0	0	0	0	0	0	0	0	0
P	0	0	0	0	0	0	0	0	0	0
O	1	5								
S										

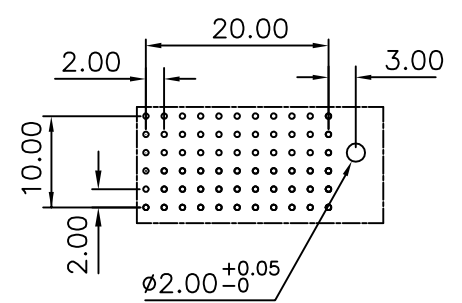
LOADED CONNECTOR ASSEMBLY (FOR EXAMPLE)



CONTACT OVERVIEW



LAY-OUT P.C.B.-HOLE



HM2P09PDG3N9 **LEAD FREE INDICATOR : LF = LEAD FREE (DIGIT 15 & 16)**
PLATING CODE (DIGIT 13 AND 14)
 (REF DRW NO. BS,C , 201844 , 003)

NOTES

1. THIS PRODUCT IS CSA APPROVED.
2. THIS PRODUCT IS UL RECOGNIZED.
3. MEASURED AT THE BOTTOM.
4. MATERIAL CONTACT: PHOSPHORBRONZE
HOUSING: CREAM WHITE GLASS FILLED POLYESTER UL-94V0
5. CONNECTOR PRINTED WITH P/N AND DATE CODE.
6. FOR ACTUAL CONTACT LOADINGS, SEE LOADING PATTERN MATING SIDE.
7. SHAPE OF CONNECTOR HOUSING CAN ALTER DEPENDING ON PRODUCTION LOCATION
8. THE PRODUCT (LF) MEETS EUROPEAN UNION DIRECTIVES AND OTHER COUNTRY REGULATIONS AS DESCRIBED IN GS-22-008
9. FOR RECOMMENDED PTH DIMENSIONS REFER DRAWING : BS, A , 201572 , 001

CATALOG NO: HM2P09PDG3N9-----

mat'l. code SEE NOTE 4				surface ISO 1302 ✓		tolerance ISO 406 ISO 1101		projection MM		product family MILLIPACS			
litr				ecn no		dr		date		tolerances unless otherwise specified		title	
A				105-0104		MINI		2005-06-21		angles		MPACS 5+2R STR HDR PF CONN TYPE C	
B				106-0099		MINI		2006-07-14		linear		scale -	
								0°±1°		dr		MINI K VANDANATH 2005-06-21	
										engr		BIJU K PAUL 2005-06-21	
										chr		BIJU K PAUL 2006-07-14	
										appd		BIJU K PAUL 2006-07-14	
sheet index		revision sheet		B		1						dwg no BS, C ,203028, 268	
												sheet 1 of 1 size A3	
												type Product Customer Drawing	

Copyright FCI
 FCI
 FCconnect.com

