

HM2P71PKS1L5GLLF Datasheet



<https://www.DiGi-Electronics.com>

DiGi Electronics Part Number	HM2P71PKS1L5GLLF-DG
Manufacturer	Amphenol ICC (FCI)
Manufacturer Product Number	HM2P71PKS1L5GLLF
Description	CONN HEADER 133POS 2MM PRESS-FIT
Detailed Description	133 (95 + 38 Ground) Position Header, Male Pins Connector 0.079" (2.00mm) Through Hole

This model HM2P71PKS1L5GLLF is available at DiGi Electronics.

DiGi Electronics offers a global database of semiconductor and electronic component datasheets.

We welcome your inquiries regarding pricing, lead time, or other product-related questions.

 [Request a Quote](#)

 [Datasheet Search](#)



Tel: +00 852-30501935

RFQ Email: Info@DiGi-Electronics.com

DiGi is a global authorized distributor of electronic components.

Purchase and inquiry

Manufacturer Product Number:

HM2P71PKS1L5GLLF

Series:

Millipacs®

Connector Type:

Header, Male Pins

Number of Positions:

133 (95 + 38 Ground)

Pitch:

0.079" (2.00mm)

Mounting Type:

Through Hole

Connector Usage:

-

Contact Finish Thickness:

39.4µin (1.00µm)

Voltage Rating:

750Vrms

Features:

-

Manufacturer:

Amphenol ICC (FCI)

Product Status:

Active

Connector Style:

B 19

Number of Positions Loaded:

All

Number of Rows:

5 + 2

Termination:

Press-Fit

Contact Finish:

Gold

Current Rating (Amps):

1.5 A

Operating Temperature:

-55°C ~ 125°C

Base Product Number:

HM2P71

Environmental & Export classification

RoHS Status:

RoHS Compliant

REACH Status:

REACH Affected

HTSUS:

8536.69.4040

Moisture Sensitivity Level (MSL):

1 (Unlimited)

ECCN:

EAR99

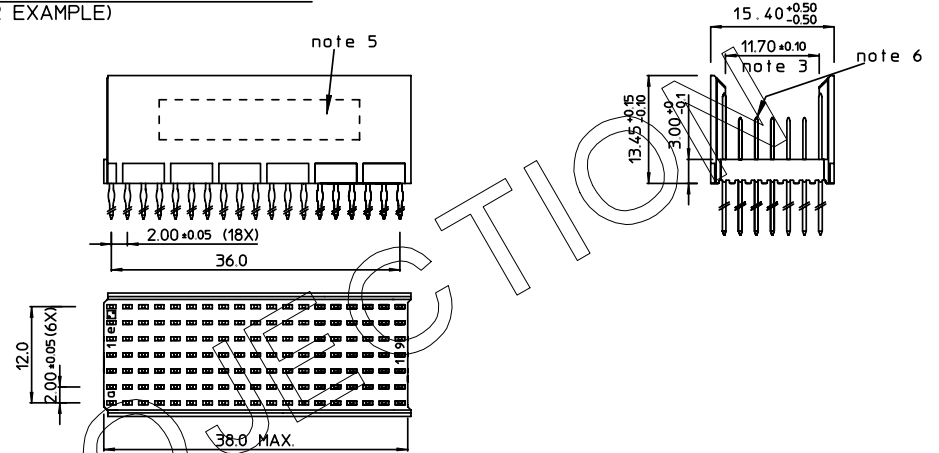
GEN. ST.	01	02	03	04	05	06	07	08	0D	50	60	70	80	90																	
INT. ST.	10	11	12	13	14	18	20	31	32	33	34	38	39	40	42	43	44	45	46	48	56	70	72	73	75	76	81	82	83	84	88

REV.	DATE	DESCRIPTION	BY	C'K'D'
A	2001-09-14	CONVERSION REVISION 02	KN	
B	2002-05-31	EC B20086	BVE	
C	2005-10-25	105-0201	VIVEK	BKP
D	2006-07-06	106-0097	VIVEK	BKP

LOADING PATTERN MATING SIDE

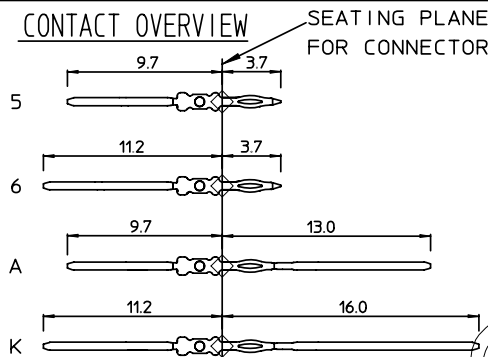
f	K	K	K	K	K	K	K	K	K	K	K	K	6	6	6	6	6	6
e	A	A	A	A	A	A	A	A	A	A	A	A	5	5	5	5	5	5
d	A	A	A	A	A	A	A	A	A	A	A	A	5	5	5	5	5	5
c	A	A	A	A	A	A	A	A	A	A	A	A	5	5	5	5	5	5
b	A	A	A	A	A	A	A	A	A	A	A	A	5	5	5	5	5	5
a	A	A	A	A	A	A	A	A	A	A	A	A	5	5	5	5	5	5
z	K	K	K	K	K	K	K	K	K	K	K	K	6	6	6	6	6	6
P	0	0	1	1	1	1	1	1	1	1	1	1	5	5	5	5	5	5
SO	1	5	0	5	1	5	1	9										

LOADED CONNECTOR ASSEMBLY
(FOR EXAMPLE)

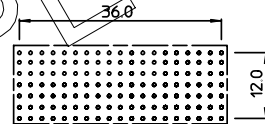


SHEET NR. : 536

CONTACT OVERVIEW



LAY-OUT P.C.B.-HOLE



LEAD FREE INDICATOR : LF = LEAD FREE
(DIGIT 15 & 16)

HM2P71PKS1L5

PLATING CODE (DIGIT 13 AND 14)
(REF DWG No. BS,C ,201844,003)

NOTES:

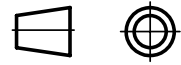
1. THIS PRODUCT IS CSA APPROVED.
2. THIS PRODUCT IS UL RECOGNIZED.
3. MEASURED AT THE BOTTOM.
4. MATERIAL CONTACT: PHOSPHORBRONZE
HOUSING: CREAM WHITE GLASSFILLED
POLYESTER UL-94V0
5. CONNECTOR PRINTED WITH P/N AND DATE CODE.
6. FOR ACTUAL CONTACT LOADINGS, SEE LOADING PATTERN MATING SIDE.
7. SHAPE OF CONNECTOR HOUSING CAN ALTER DEPENDING ON PRODUCTION LOCATION.
8. THE PRODUCT (LF) MEETS EUROPEAN UNION DIRECTIVES AND OTHER COUNTRY REGULATIONS AS DESCRIBED IN GS-22-008
9. FOR RECOMMENDED PTH DIMENSIONS REFER DRAWING : BS,A ,201572,001

EUROPEAN PROTECTIVE

1DEC ±0,2 2DEC ±0,1 ANGLES ±1°	APPR.	DATE	SIGN.	LOADING PATTERN OVERVIEW
	DRAFT	1998-09-01	M.Frel	CAT. No. HM2P71PKS1L5----
	CHECKED			
WE RESERVE THE RIGHT TO CHANGE DIMENSIONS OR REQUIREMENTS WITHOUT PRIOR NOTICE.	PROD. MGR.			SCALE
	PR. ENG. MGR.			www.fciconnect.com
	PR. MGT. MGR.			
ALL DIMENSIONS IN MM	REFERENCES			

THIS IS OUR EXCLUSIVE PROPERTY. IT IS NOT TO BE COPIED, REPRINTED OR DISCLOSED TO A THIRD PARTY, NOR USED FOR MANUFACTURING WITHOUT OUR WRITTEN CONSENT, AND HAS TO BE RETURNED TO US IN CASE OF NO USAGE

DIT IS ONZE EIGENDOM EN MAG NIET NAGEMAKT, HERDRUKT, OVERGEMAKT AAN DERDEN, NOCH VOOR FABRIKATIE GEBRUIKT WORDEN, ZONDER ONZE SCHRIFTELIJKE TOELATING. BIJ NIET GEBRUIK IS TERUGZENDING VERPLICHT.



PDM: Rev:D

STATUS: Released

CUSTOMER DRAWING REVISION

OUR CERTIFICATE

DiGi provide top-quality products and perfect service for customer worldwide through standardization, technological innovation and continuous improvement. DiGi through third-party certification, we stricly control the quality of products and services. Welcome your RFQ to

Email: Info@DiGi-Electronics.com



Tel: +00 852-30501935

RFQ Email: Info@DiGi-Electronics.com

DiGi is a global authorized distributor of electronic components.