

www.digi-electronics.com



<https://www.DiGi-Electronics.com>

05CL5MX Datasheet

DiGi Electronics Part Number	05CL5MX-DG
Manufacturer	Switchcraft Inc.
Manufacturer Product Number	05CL5MX
Description	CONN PLUG MALE DIN 5POS SOLDER

Detailed Description

This model 05CL5MX is available at DiGi Electronics. 5 Position Circular Connector Plug, Male Pins Solder

DiGi Electronics offers a global database of semiconductor and electronic component datasheets.

We welcome your inquiries regarding pricing, lead time, or other product-related questions.

 [Request a Quote](#)

 [Datasheet Search](#)

0 852-301

RFQ Email: Info@DiGi-Electronics.com

DiGi is a global authorized distributor of electronic components.

Purchase and inquiry

Manufacturer Product Number:

05CL5MX

Series:

-

Connector Type:

Plug, Male Pins

Shell Size - Insert:

DIN (180 Degree)

Mounting Type:

Free Hanging (In-Line)

Termination:

Solder

Orientation:

5

Shell Material:

Zinc Die Cast

Contact Finish - Mating:

Tin

Ingress Protection:

Manufacturer:

Switchcraft Inc.

Product Status:

Active

Number of Positions:

5

Shell Size, MIL:

-

Mounting Feature:

-

Fastening Type:

Push-Twist

Primary Material:

Metal

Shell Finish:

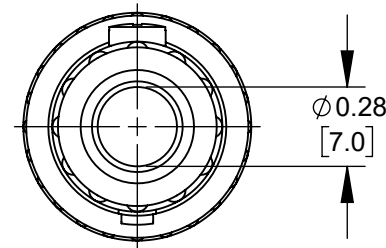
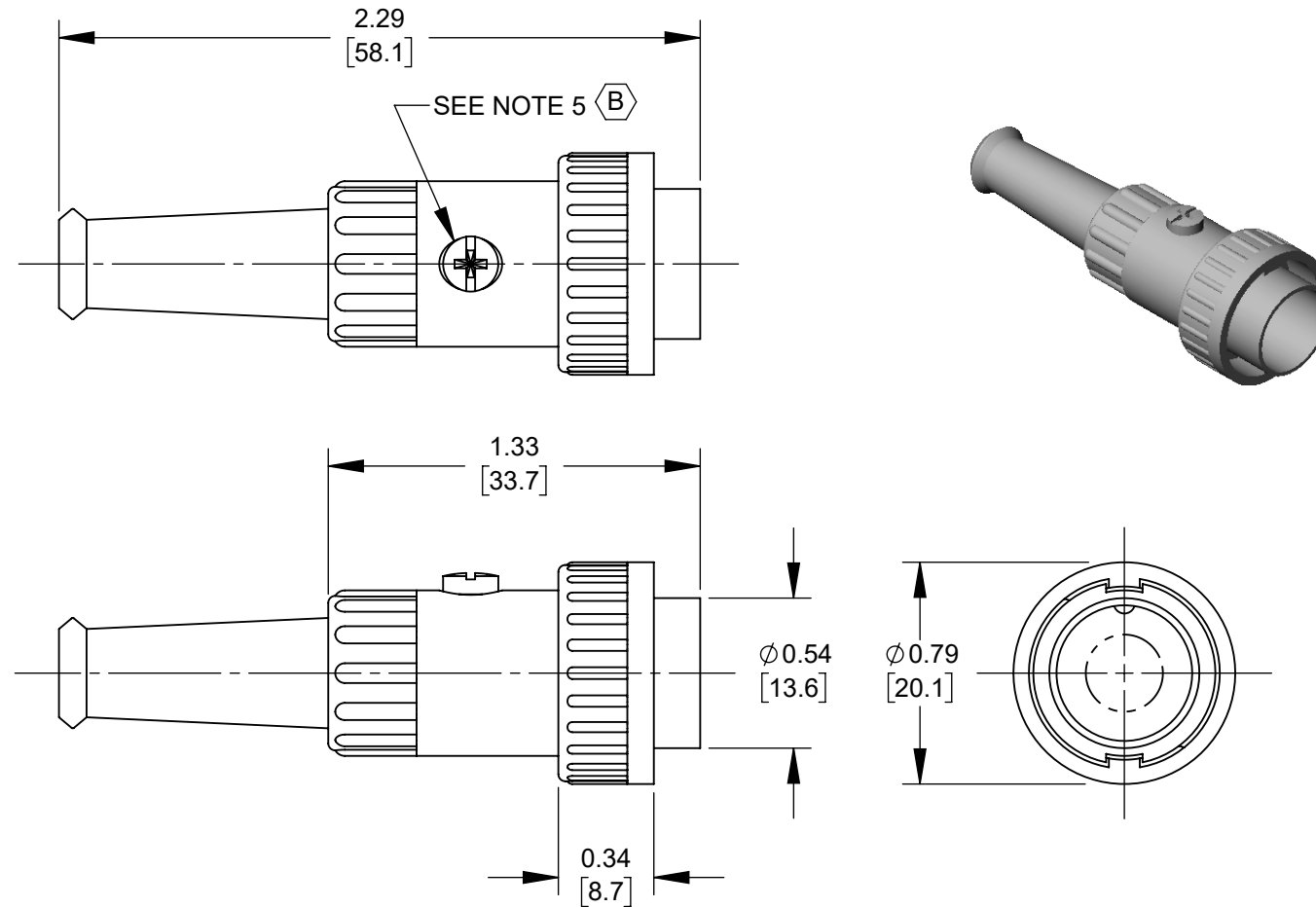
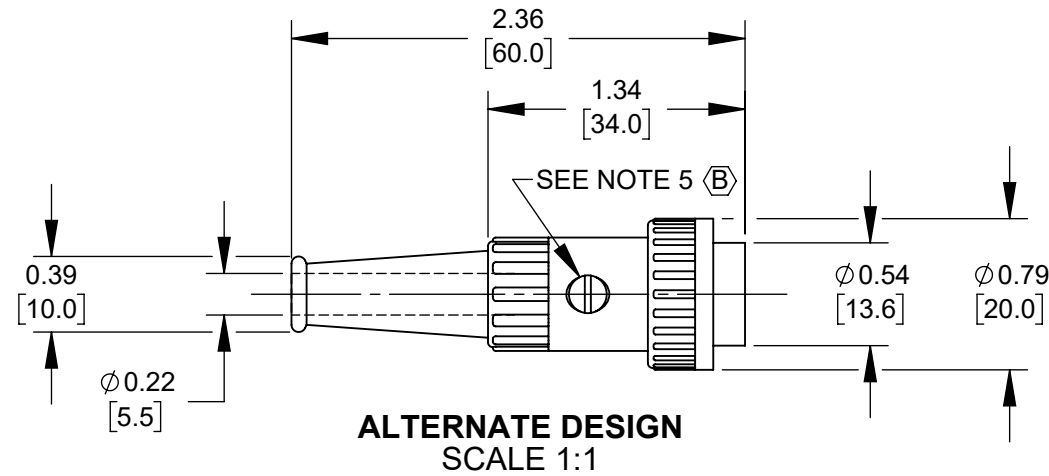
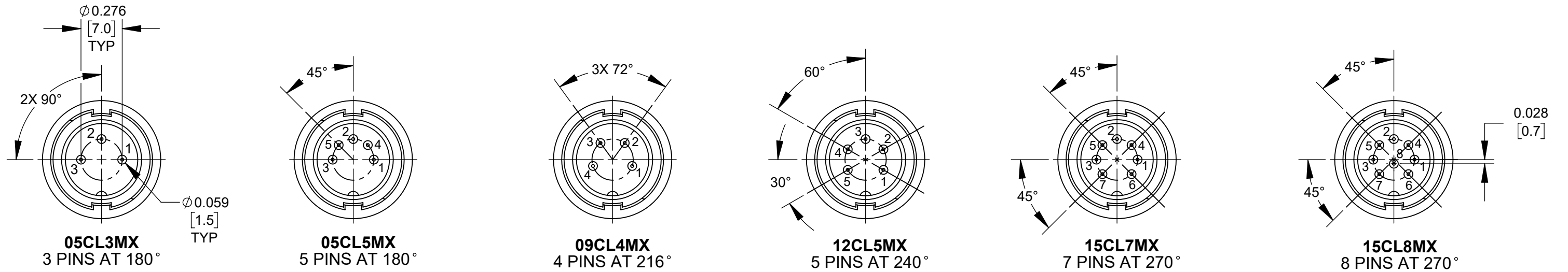
Nickel

Color:

Silver

Material Flammability Rating:

05CL5MX Switchcraft Inc. CONN PLUG MALE DIN 5POS SOLDER



NOTES:

1. SHIPPED ASSEMBLED.
2. $\varnothing 0.04$ [1.0mm] X 0.06 [1.5mm] DEEP HOLE IN PIN FOR SOLDERING.
3. MATERIALS:
HOUSING AND LOCKRING - ZINC ALLOY, NICKEL PLATED
FLEX RELIEF - THERMOPLASTIC, BLACK
INSERT - THERMOPLASTIC, BLACK
PINS - COPPER ALLOY, TIN PLATED
CABLE CLAMP - STEEL, NICKEL PLATED
SCREW - STEEL, NICKEL PLATED
4. THESE PRODUCTS ARE RoHS COMPLIANT.
- (B) 5. SCREW DRIVE MAY BE SLOTTED, CROSS RECESS, T8, COMBINATION SLOTTED/CROSS RECESS OR COMBINATION SLOTTED/T8.

CUSTOMER DRAWING

					THIS DRAWING DESCRIBES A DESIGN CONSIDERED PROPRIETARY IN NATURE, DEVELOPED AND MANUFACTURED BY SWITCHCRAFT INC. AND IS RELEASED ON A CONFIDENTIAL BASIS FOR IDENTIFICATION PURPOSES ONLY.				
					SIZE	WIDTH	MULT	LBS/M	TEMPER
					UNLESS OTHERWISE SPECIFIED			MATERIAL SPEC No.	
					1. ALL DIMENSIONS IN INCHES [mm]				
					- TWO PLACE DECIMALS ± 0.02 [0.5]				
					- THREE PLACE DECIMALS ± 0.005 [0.13]			SHEET 1 OF 1	
REV	ECO NUMBER	DATE	BY	APVD	DATE DRAWN	BY	CHKD TO	APVD TJK	PART No. 05CL_MX, 09CL_MX, 12CL_MX, 15CL_MX SERIES
REVISIONS					DO NOT SCALE DRAWING				
					NAME MALE DIN 3-8 PIN LOCKING CORD PLUG CONNECTOR, RoHS				
					REV B				

SolidWorks CAD File (B)

OUR CERTIFICATE

DiGi provide top-quality products and perfect service for customer worldwide through standardization, technological innovation and continuous improvement. DiGi through third-party certification, we stricly control the quality of products and services. Welcome your RFQ to

Email: Info@DiGi-Electronics.com



Tel: +00 852-30501935

RFQ Email: Info@DiGi-Electronics.com

DiGi is a global authorized distributor of electronic components.